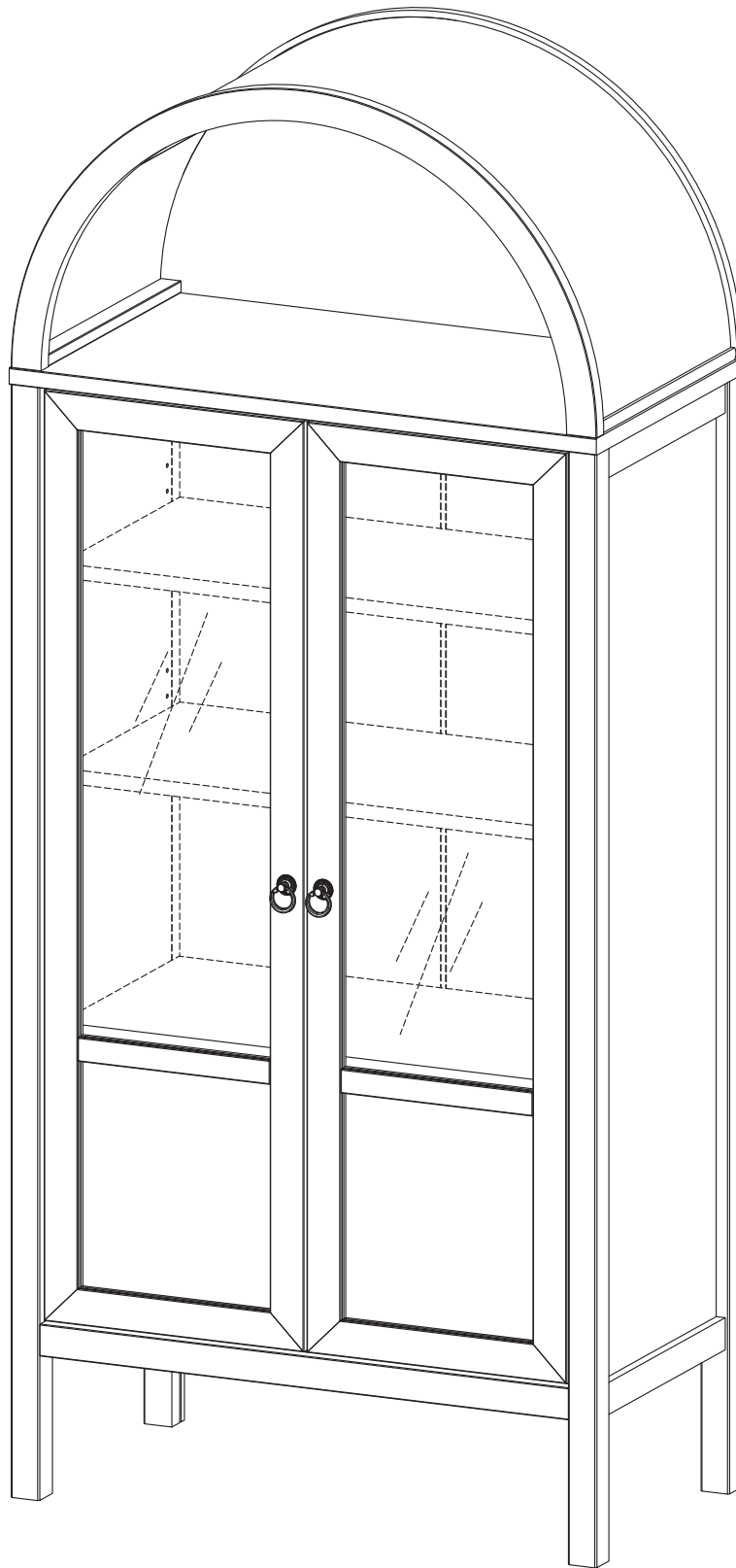


ASSEMBLY INSTRUCTIONS

EEI-6638

V0.08.07.23



Questions? Contact us!

609.256.9000 • cs@modway.com
www.modway.com

*modway

Let's get started!

*modway



Read through all of the instructions before starting



Care instructions are listed in the last step of this manual



Approx. 60 minutes assembly time



Make sure you have all parts and components before discarding any packing materials



2 people recommended for assembly

Only use hand tools to assemble this item. Do not use power tools. Do not tighten bolts or screws completely until all hardware is lined up and inserted into the holes.

Do not over-tighten screws and bolts to avoid stripping the hardware or cracking the item.

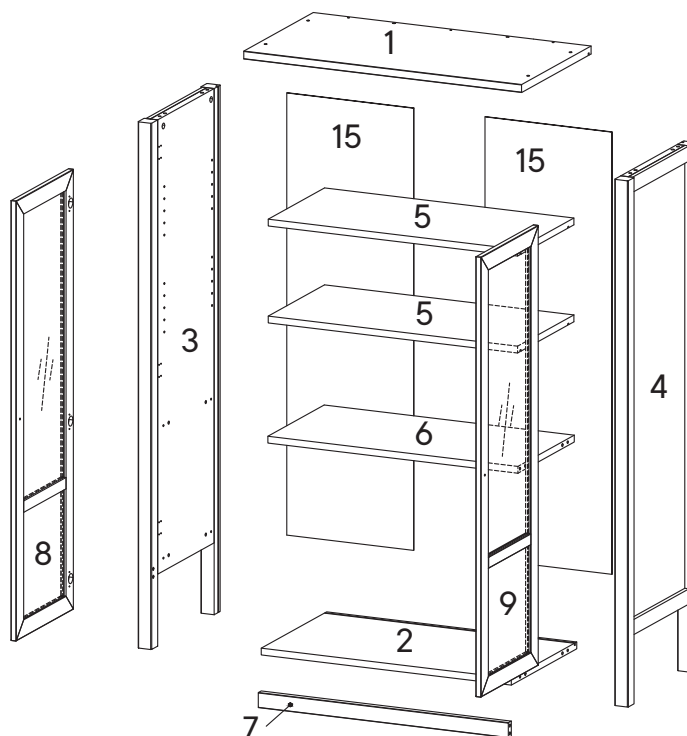
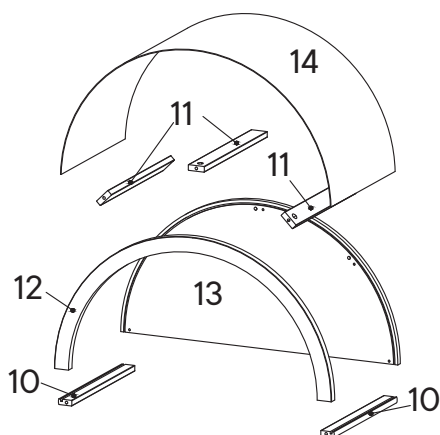
Assemble your item on a flat, carpeted area, with plenty of space to work. This will prevent damage and scratches to your floors or the item while you're assembling the product.

Keep all components and packaging out of reach of children or animals to avoid risk of choking or suffocation.

Furniture components:

| | | |
|---|------------------|----|
| 1 | Top Board | x1 |
| 2 | Bottom Board | x1 |
| 3 | Side Board Left | x1 |
| 4 | Side Board Right | x1 |
| 5 | Adjustable Shelf | x2 |
| 6 | Fixed Shelf | x1 |
| 7 | Bottom Skirt | x1 |
| 8 | Door Left | x1 |
| 9 | Door Right | x1 |

| | | |
|----|-----------------------|----|
| 10 | Support Board 1 Hutch | x2 |
| 11 | Support Board 2 Hutch | x3 |
| 12 | Front Board Hutch | x1 |
| 13 | Back Board Hutch | x1 |
| 14 | PVC Board | x1 |
| 15 | Back Board | x2 |



Wait!

Missing parts or hardware? Need assistance?
Contact us before returning your item. We're here to help!
609.256.9000 • cs@modway.com

Provided hardware:

| | | | | | | | |
|---|---|-----------------------|-----|-------|---|-----------------------|-----|
| A |  | Cam Bolt Ø6 x 35 mm | x22 | L |  | Screw M 4.5 x 12.5 mm | x40 |
| B |  | Cam Lock Ø15 mm | x22 | M |  | Wedge | x12 |
| C |  | Wood Dowel Ø8 x 30 mm | x21 | N |  | Screw M 3.5 x 15.5 mm | x12 |
| D |  | Screw M 6.4 x 25 mm | x4 | O |  | Allen Key | x2 |
| E |  | Screw M 8 x 39 mm | x3 | P |  | List Join | x1 |
| F |  | Shelf Pin | x8 | Q |  | Plate | x1 |
| G |  | Screw Cap Ø15 mm | x4 | HS26C |  | Hinge | x6 |
| H |  | Stopper | x2 | | | | |
| I |  | Handle | x2 | | | | |
| J |  | Screw M 4 x 20 mm | x2 | | | | |
| K |  | Floor Protector | x4 | | | | |

What you need:



Components Carton Placement

Carton 1 of 2

| Label | Description | Qty |
|-------|------------------|-----|
| 3 | Side Board Left | x1 |
| 4 | Side Board Right | x1 |
| 8 | Door Left | x1 |
| 9 | Door Right | x1 |
| 14 | PVC Board | x1 |
| 15 | Back Board | x2 |
| | Hardware Pack | x1 |

Carton 2 of 2

| Label | Description | Qty |
|-------|-----------------------|-----|
| 1 | Top Board | x1 |
| 2 | Bottom Board | x1 |
| 5 | Adjustable Shelf | x2 |
| 6 | Fixed Shelf | x1 |
| 7 | Bottom Skirt | x1 |
| 10 | Support Board 1 Hutch | x2 |
| 11 | Support Board 2 Hutch | x3 |
| 12 | Front Board Hutch | x1 |
| 13 | Back Board Hutch | x1 |

Wait!

Missing parts or hardware? Need assistance?
Contact us before returning your item. We're here to help!
609.256.9000 • cs@modway.com

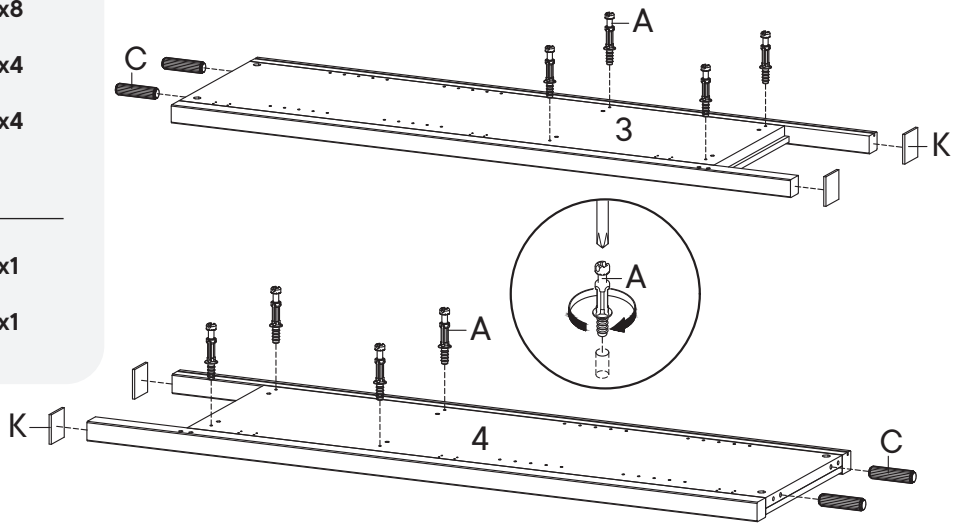
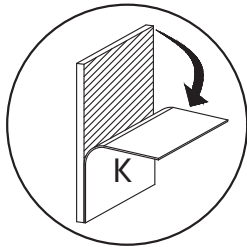
Step 1

HARDWARE

- A** Cam Bolt $\varnothing 6 \times 35$ mm x8
- C** Wood Dowel $\varnothing 8 \times 30$ mm x4
- K** Floor Protector x4

COMPONENTS

- 3** Side Board Left x1
- 4** Side Board Right x1



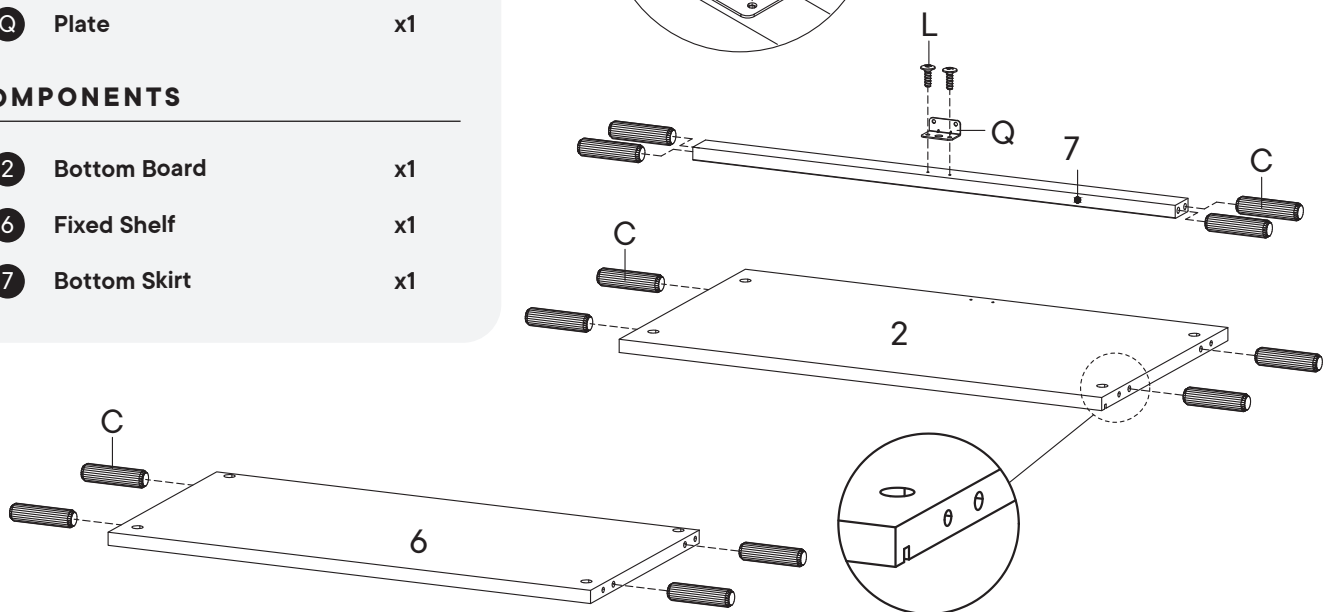
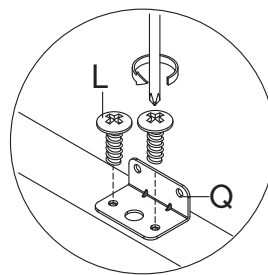
Step 2

HARDWARE

- C** Wood Dowel $\varnothing 8 \times 30$ mm x12
- L** Screw M 4.5 x 12.5 mm x2
- Q** Plate x1

COMPONENTS

- 2** Bottom Board x1
- 6** Fixed Shelf x1
- 7** Bottom Skirt x1



Step 3

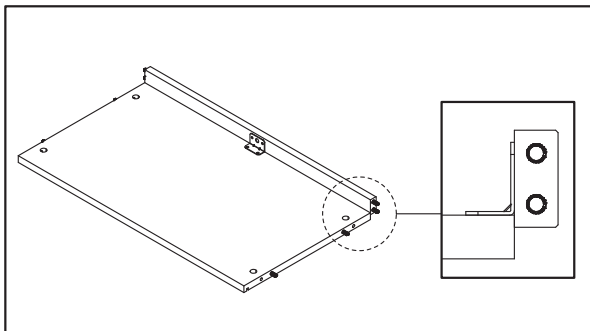
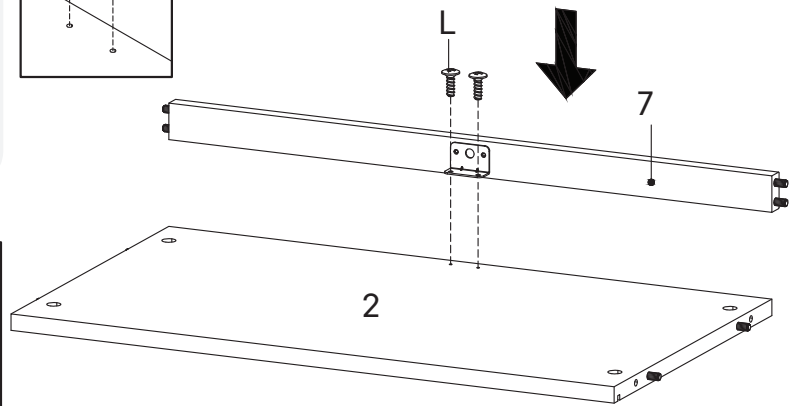
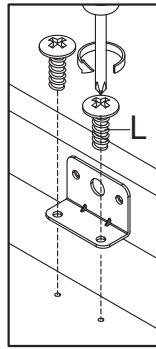
HARDWARE

L Screw M 4.5 x 12.5 mm x2

COMPONENTS

2 Bottom Board x1

7 Bottom Skirt x1



Step 4

HARDWARE

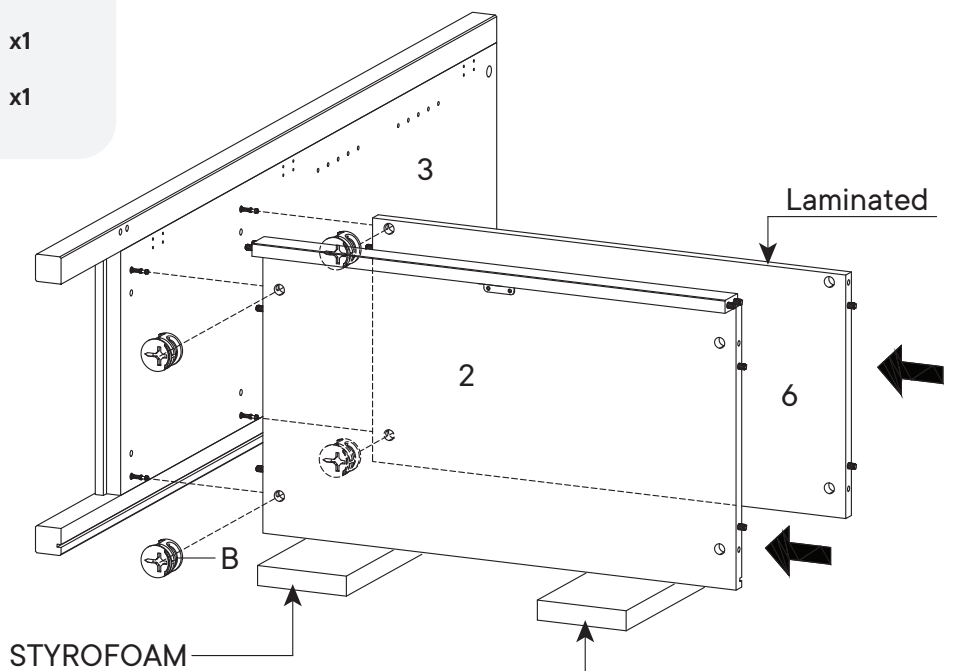
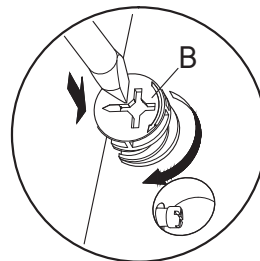
B Cam Lock Ø15 mm x4

COMPONENTS

2 Bottom Board x1

3 Side Board Left x1

6 Fixed Shelf x1



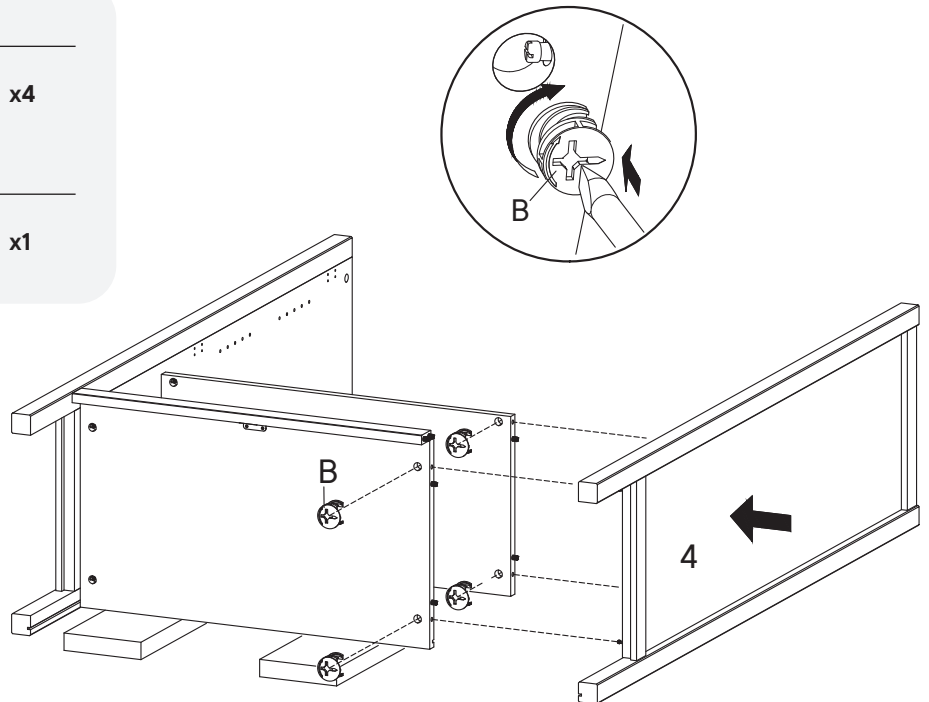
Step 5

HARDWARE

B Cam Lock Ø15 mm x4

COMPONENTS

4 Side Board Right x1



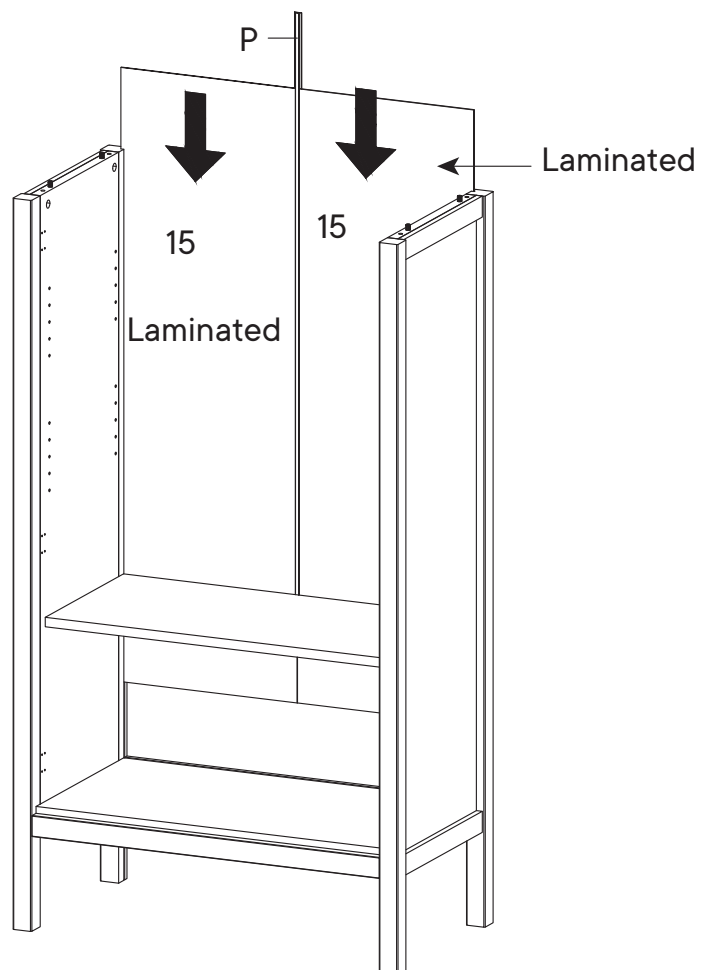
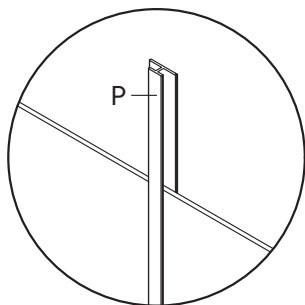
Step 6

HARDWARE

P List Join x1

COMPONENTS

15 Back Board x2



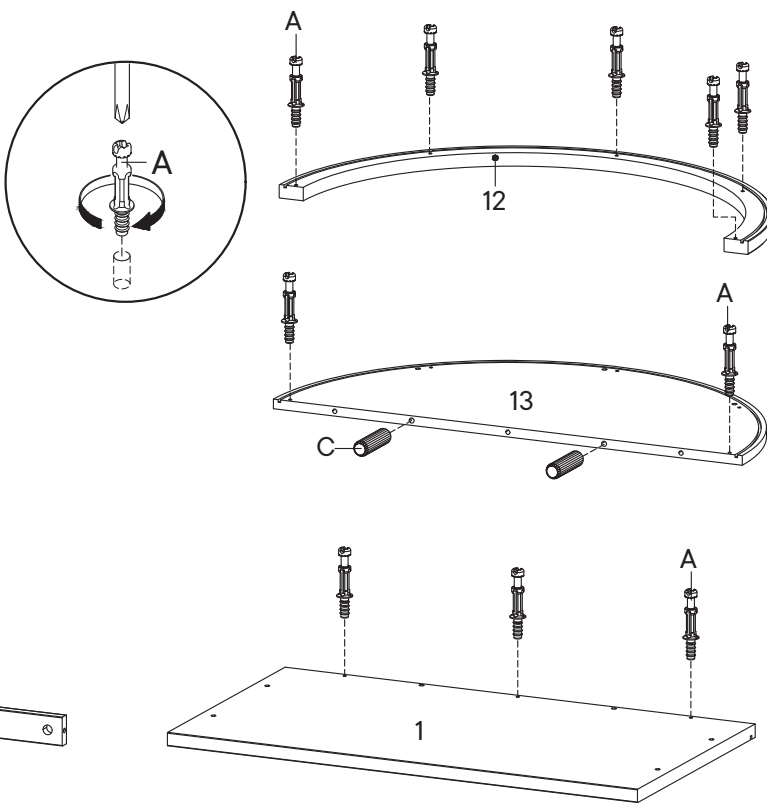
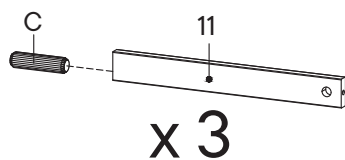
Step 7

HARDWARE

- A** Cam Bolt Ø6 x 35 mm x10
- C** Wood Dowel Ø8 x 30 mm x5

COMPONENTS

- 1** Top Board x1
- 11** Support Board 2 Hutch x3
- 12** Front Board Hutch x1
- 13** Back Board Hutch x1



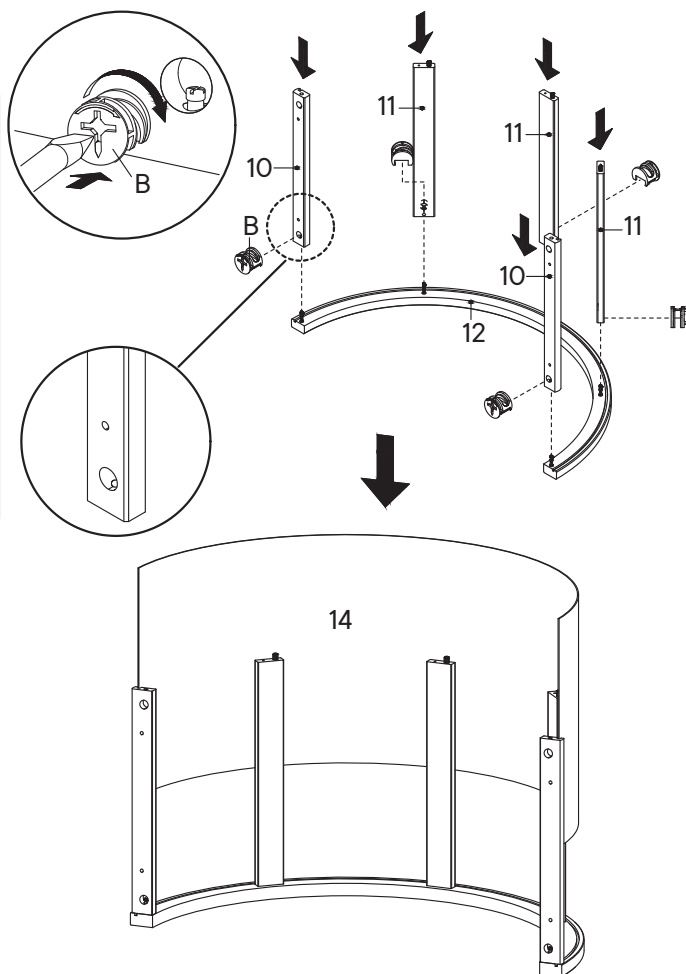
Step 8

HARDWARE

- B** Cam Lock Ø15 mm x5

COMPONENTS

- 10** Support Board 1 Hutch x2
- 11** Support Board 2 Hutch x3
- 12** Front Board Hutch x1
- 14** PVC Board x1



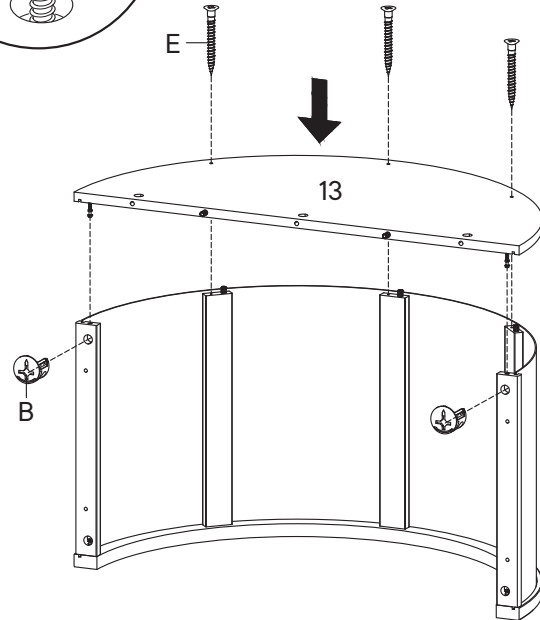
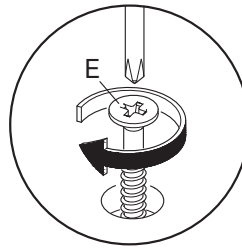
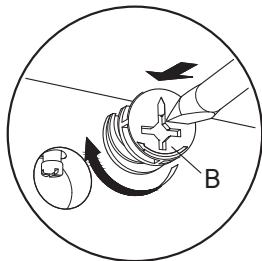
Step 9

HARDWARE

- B** Cam Lock Ø15 mm x2
- E** Screw M 8 x 39 mm x3

COMPONENTS

- 13** Back Board Hutch x1



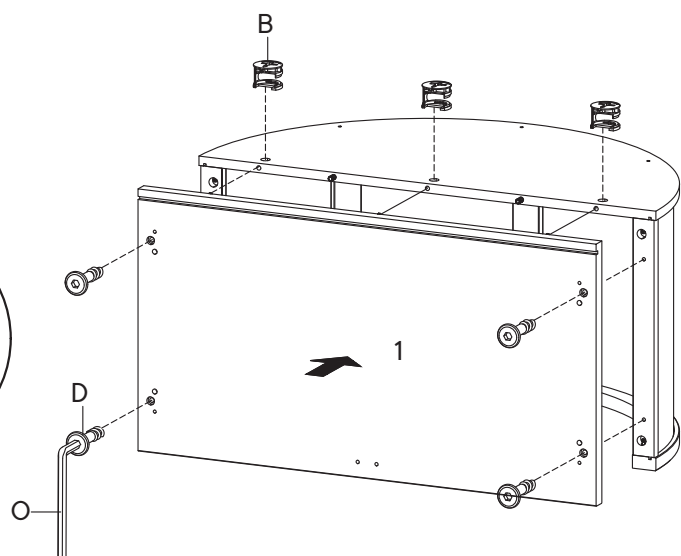
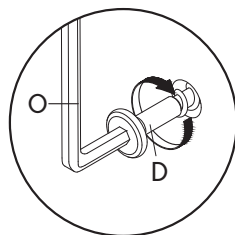
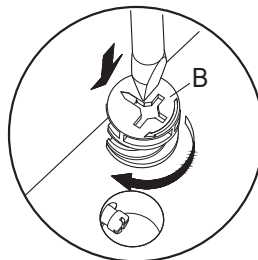
Step 10

HARDWARE

- B** Cam Lock Ø15 mm x3
- D** Screw M 6.4 x 25 mm x4
- O** Allen Key x1

COMPONENTS

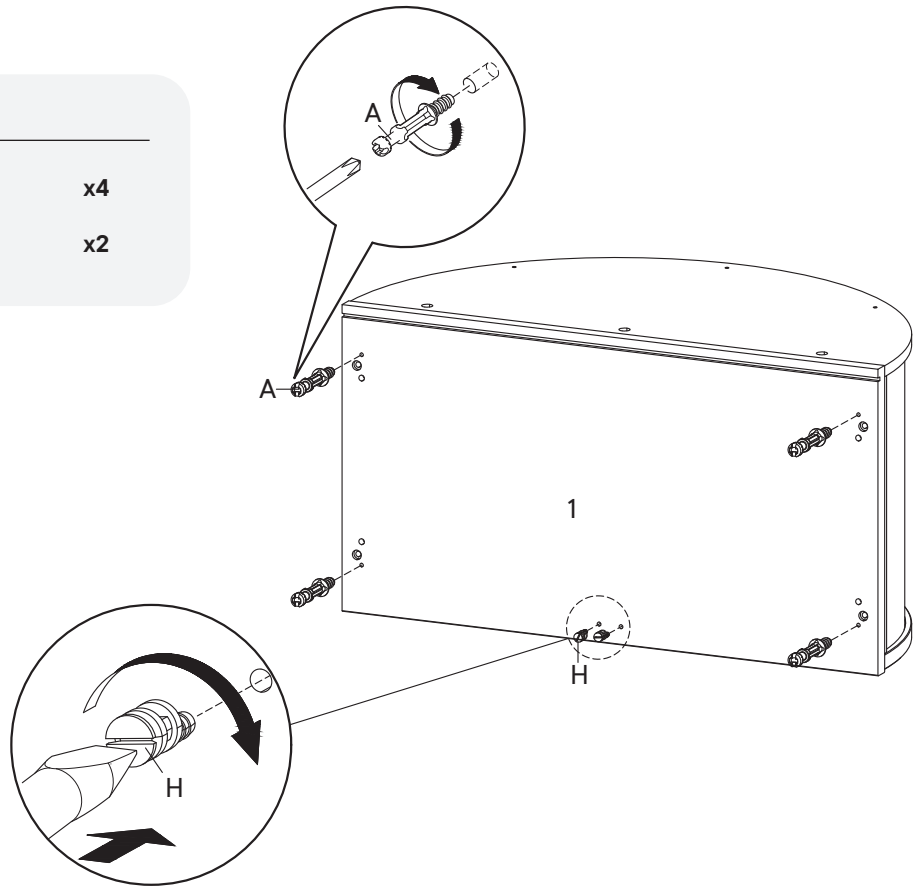
- 1** Top Board x1



Step 11

HARDWARE

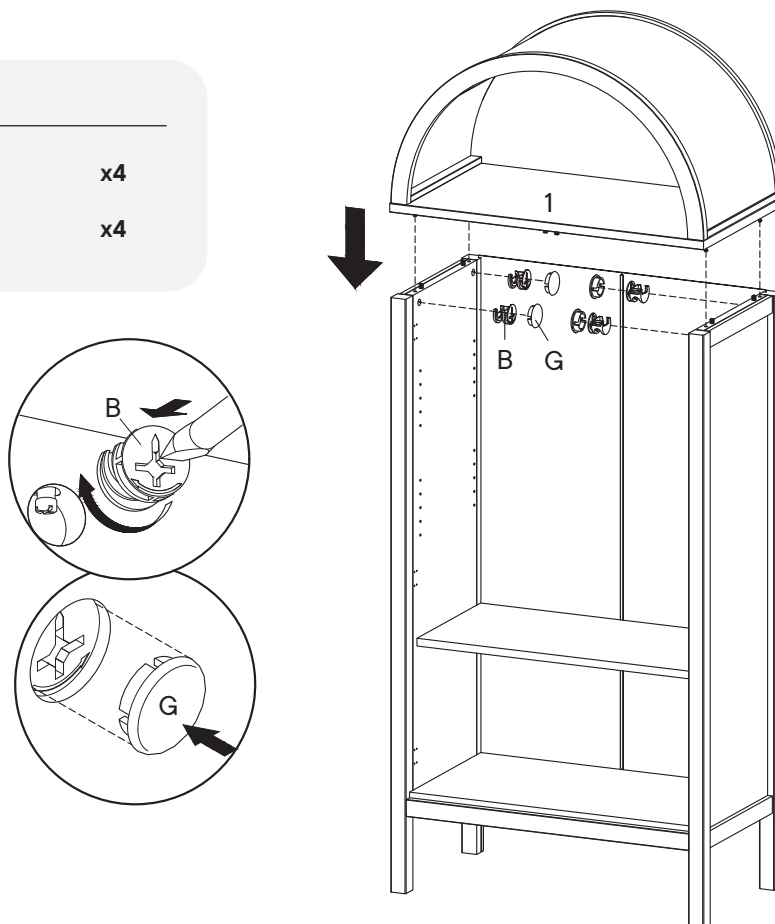
- A** Cam Bolt $\varnothing 6 \times 35$ mm x4
- H** Stopper x2



Step 12

HARDWARE

- B** Cam Lock $\varnothing 15$ mm x4
- G** Screw Cap $\varnothing 15$ mm x4



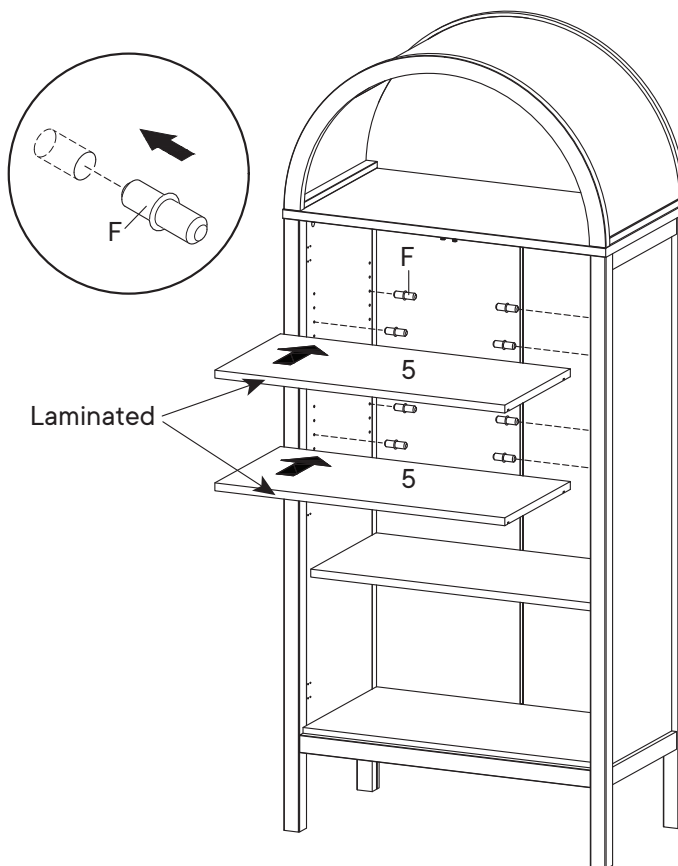
Step 13

HARDWARE

F Shelf Pin x8

COMPONENTS

5 Adjustable Shelf x2



Step 14

HARDWARE

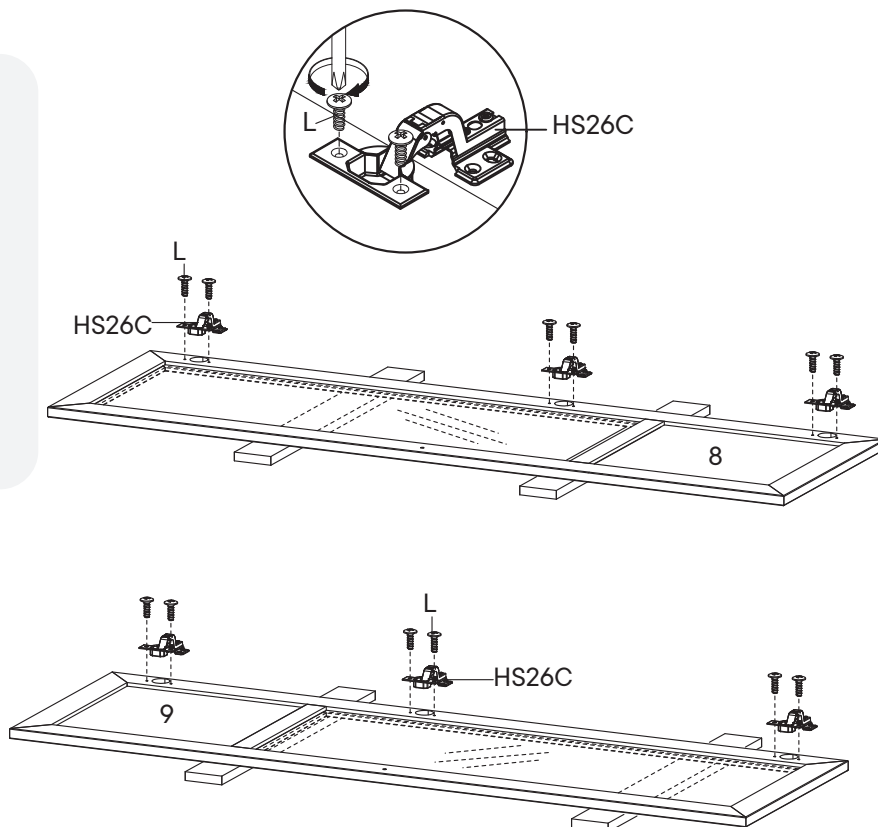
L Screw M 4.5 x 12.5 mm x12

HS26C Hinge x6

COMPONENTS

8 Door Left x1

9 Door Right x1



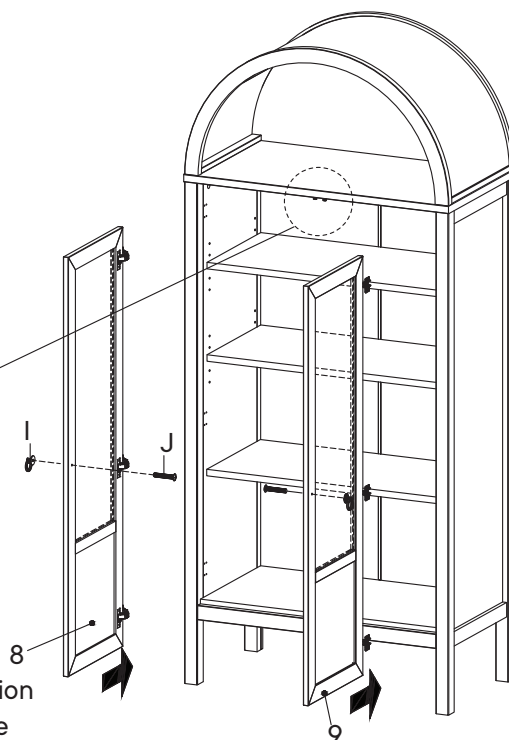
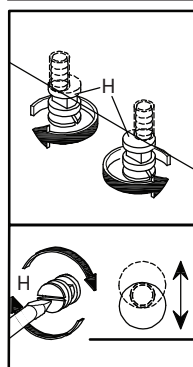
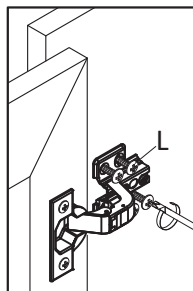
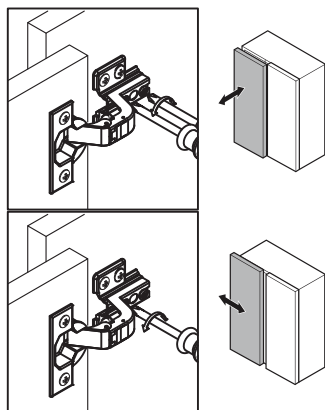
Step 15

HARDWARE

- I** Handle x2
- J** Screw M 4 x 20 mm x2
- L** Screw M 4.5 x 12.5 mm x24

COMPONENTS

- 8** Door Left x1
- 9** Door Right x1

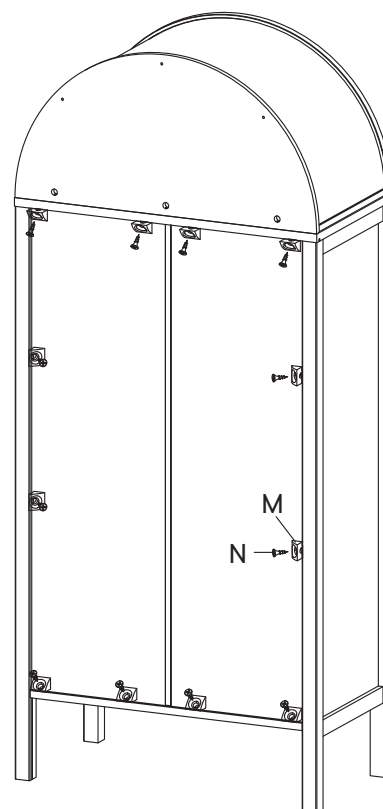
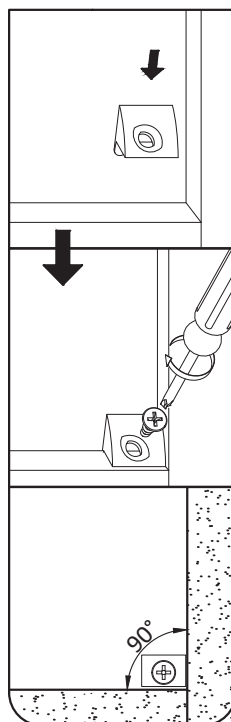


The door stopper position is adjustable (H). Please use screwdriver to adjust it as needed, so the doors are aligned when closed

Step 16

HARDWARE

- M** Wedge x12
- N** Screw M 3.5 x 15.5 mm x12



Great job!

Bookcase assembly is complete.

♥ CARING FOR YOUR ITEM

Indoor use only.

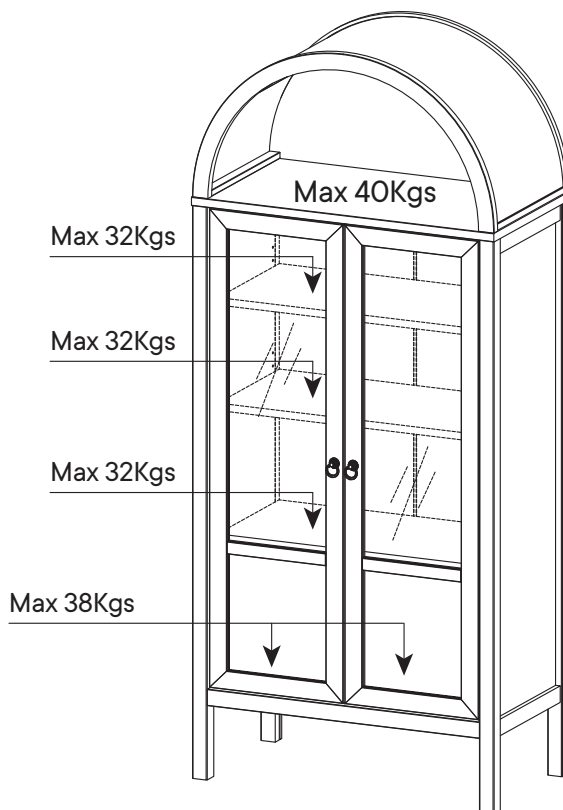
Not contract grade.

Clean using a non-abrasive cloth and a mild cleaner.

Never use harsh chemicals, as they could damage the finish or integrity of the item.

CONNECT WITH US!   

Tag us @modway_furniture and #modway for a chance to be featured.

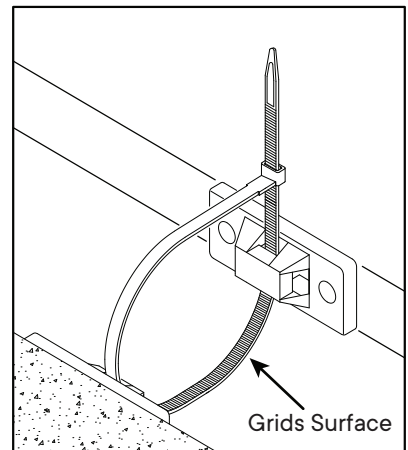
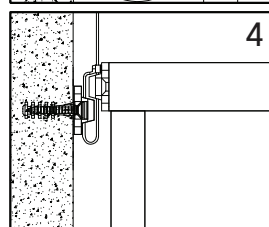
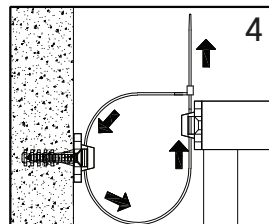
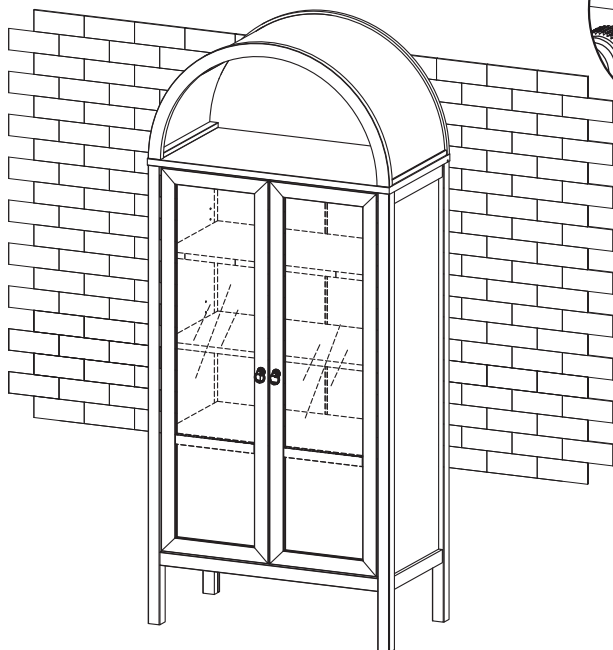
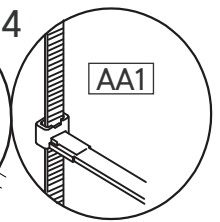
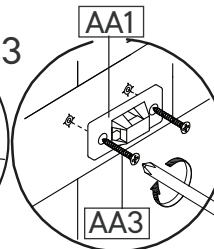
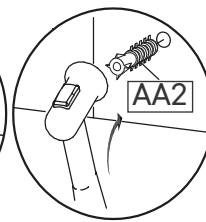
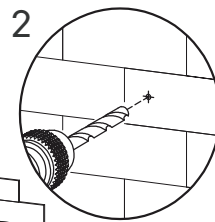
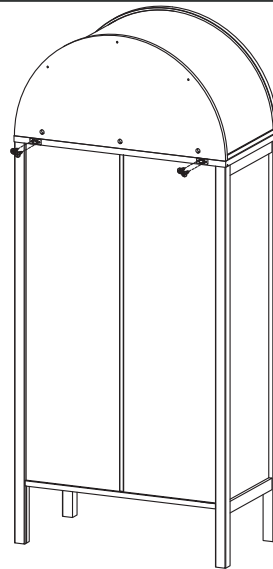
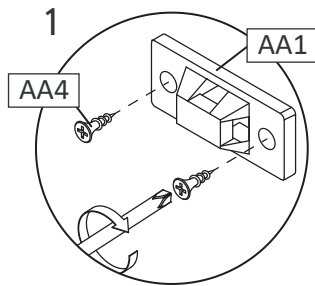
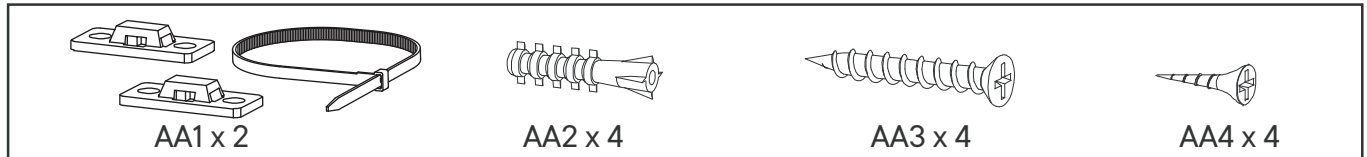


TIPPING RESTRAINTS KIT INSTALLATION GUIDANCE

Different wall materials require unique wall fasteners.

The wall plugs (AA2) and screws (AA3) are designed for fixing to concrete walls only.

Please consult your local hardware store to ensure you are using the correct hardware for you wall type.



Installation Instructions :

1. Attach bracket (AA1) securely to the back top of the furniture using screw (AA4) provided. Allow 8 - 10 cm from each side.
2. Please make a hole for wall plugs position on the wall and minimum 15 mm below bracket secured to the back of unit attach the wall plugs (AA2).
3. Locate the other bracket (AA1) on the wall over wall plugs (AA2). Place furniture into position so both brackets (AA1) are vertically in the line.
4. Lace the end of the restraints strap through the larger hole in each bracket. Ensure the restraints strap with grids surface facing the inner loops. Bring both ends together and slide the flat end through the locking end and draw it through until all slack is removed.
5. Make sure that the strap is securely laced & locked.