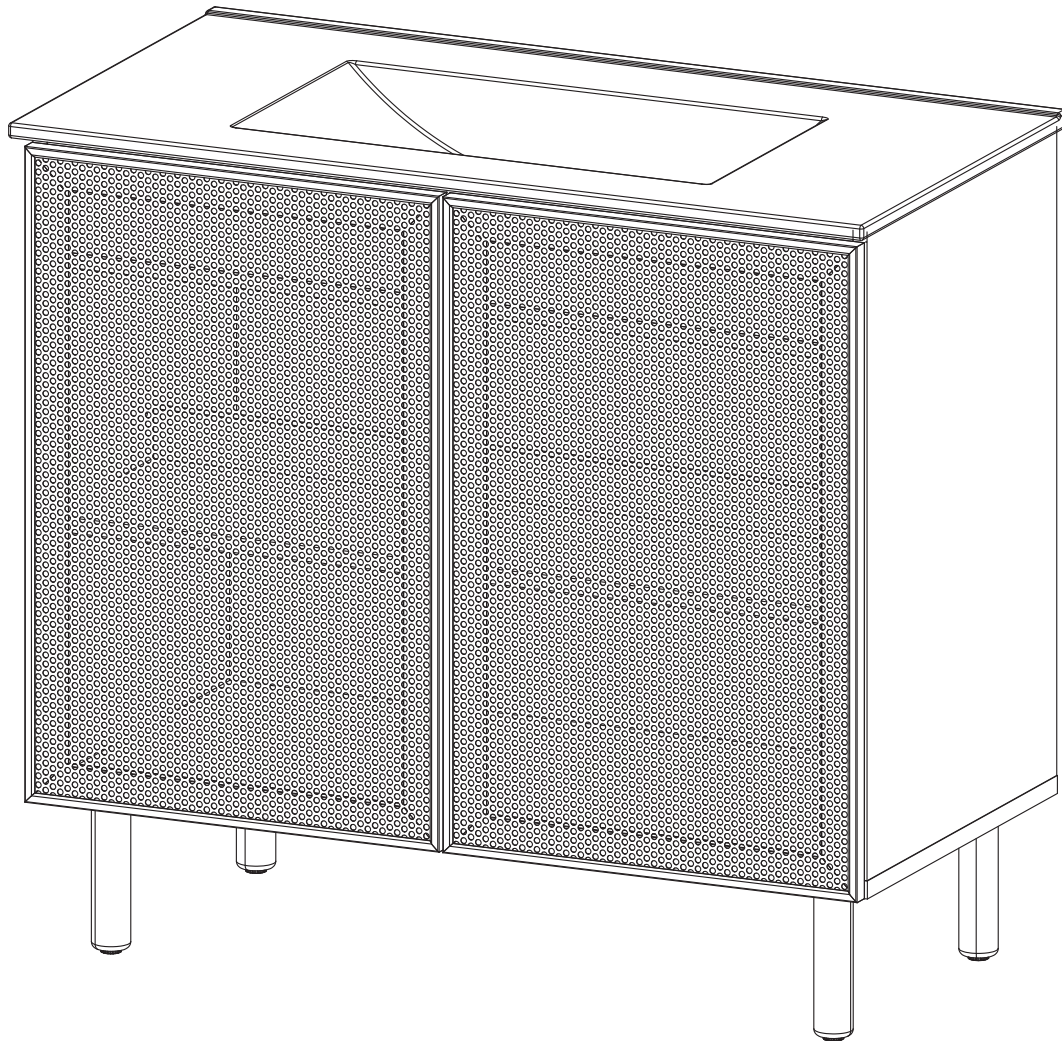


# ASSEMBLY INSTRUCTIONS

# EEI-6622

V0.08.07.23



**Questions? Contact us!**

609.256.9000 • [cs@modway.com](mailto:cs@modway.com)  
[www.modway.com](http://www.modway.com)

\*modway

# Let's get started!

\*modway



Read through all of the instructions before starting



Care instructions are listed in the last step of this manual



Approx. 90 minutes assembly time



Make sure you have all parts and components before discarding any packing materials



2 people recommended for assembly

**Only use hand tools to assemble this item.** Do not use power tools. Do not tighten bolts or screws completely until all hardware is lined up and inserted into the holes.

Do not over-tighten screws and bolts to avoid stripping the hardware or cracking the item.

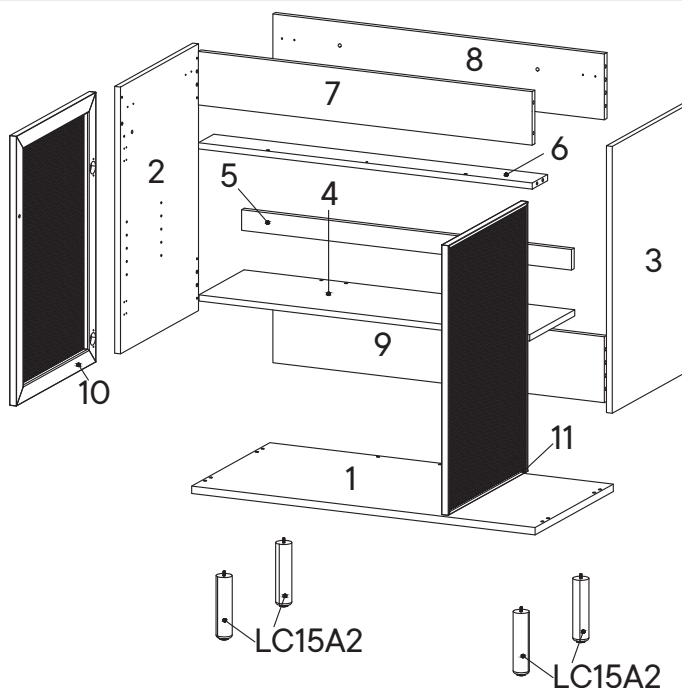
For vanity and plumbing installation, we suggest hiring a professional contractor and plumber.

Assemble your item on a flat, carpeted area, with plenty of space to work. This will prevent damage and scratches to your floors or the item while you're assembling the product.

Keep all components and packaging out of reach of children or animals to avoid risk of choking or suffocation.

## Furniture components:

1	Bottom Board	x1	11	Frame Door Right	x1
2	Side Board Left	x1	LC15A2	Leg	x4
3	Side Board Right	x1			
4	Adjustable Shelf	x1			
5	Support Board 1	x1			
6	Support Board 2	x1			
7	Front Skirt	x1			
8	Back Board 1	x1			
9	Back Board 2	x1			
10	Frame Door Left	x1			



## Provided hardware:

A		Cam Bolt $\varnothing 6 \times 35$ mm	x14	K		Screw M 6 x 12.5 mm	x12
B		Cam Lock $\varnothing 15$ mm	x14	BC67		Bracket	x4
C		Screw M 7 x 50 mm	x9	HS26A		Hinge	x4
D		Wood Dowel $\varnothing 8 \times 30$ mm	x23	PM2		Mounting Plate	x4
E		Allen Key	x2	US70		Anti-Deflection Bar	x1
F		Screw M 4.5 x 12.5 mm	x56				
G		Screw M 3.5 x 13 mm	x4				
H		Foam/Rubber Pad	x8				
I		Shelf Support	x4				
J		Push Tool	x2				

## What you need:

Phillips Head Screwdriver

## You may also need:

- + Power Drill
- + Level
- + Silicone Adhesive or Caulk
- + Drywall Anchors and Screws
- + Other Wall-Mounting Hardware

Wait!

Missing parts or hardware? Need assistance?  
Contact us before returning your item. We're here to help!  
609.256.9000 • cs@modway.com

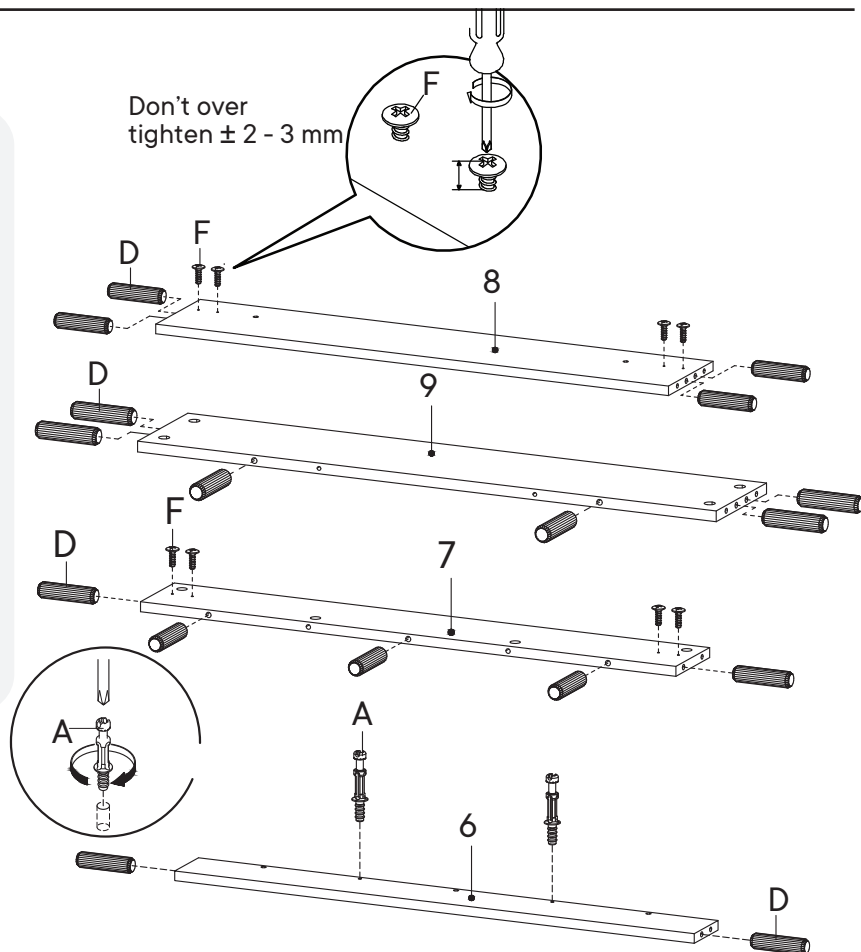
# Step 1

## HARDWARE

- A** Cam Bolt Ø6 x 35 mm x2
- D** Wood Dowel Ø8 x 30 mm x17
- F** Screw M 4.5 x 12.5 mm x8

## COMPONENTS

- 6** Support Board 2 x1
- 7** Front Skirt x1
- 8** Back Board 1 x1
- 9** Back Board 2 x1



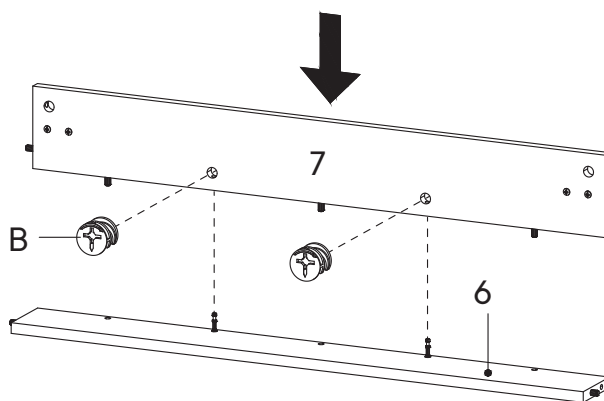
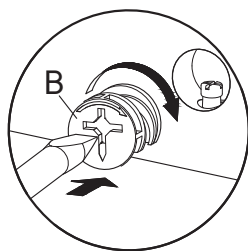
# Step 2

## HARDWARE

- B** Cam Lock Ø15 mm x2

## COMPONENTS

- 6** Support Board 2 x1
- 7** Front Skirt x1



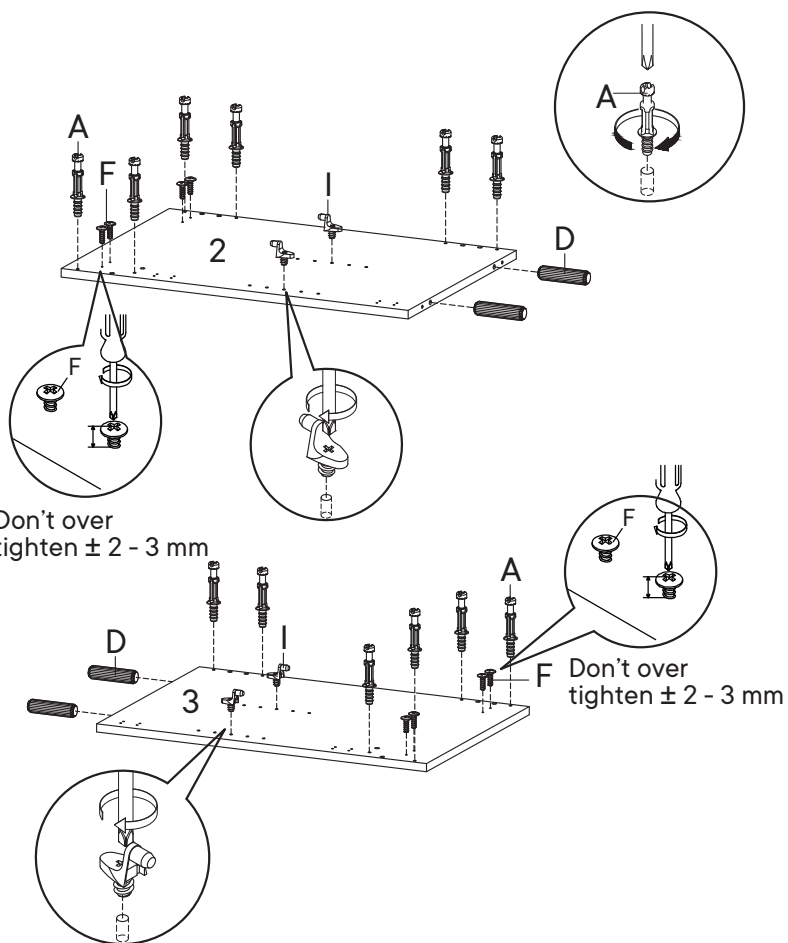
# Step 3

## HARDWARE

- A** Cam Bolt Ø6 x 35 mm x12
- D** Wood Dowel Ø8 x 30 mm x4
- F** Screw M 4.5 x 12.5 mm x8
- I** Shelf Support x4

## COMPONENTS

- 2** Side Board Left x1
- 3** Side Board Right x1



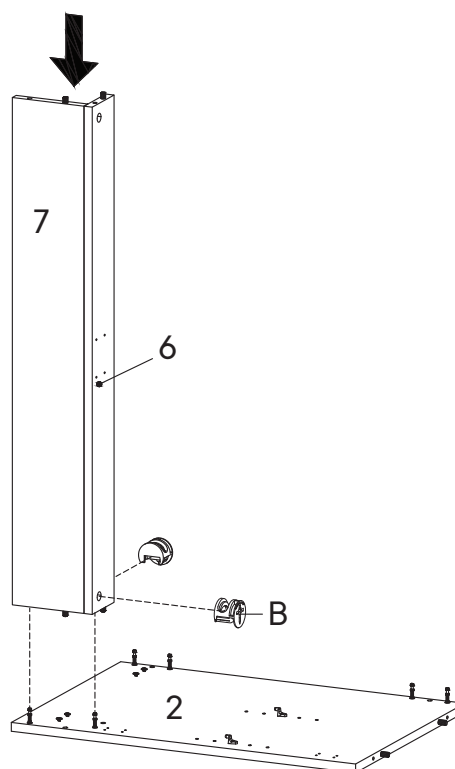
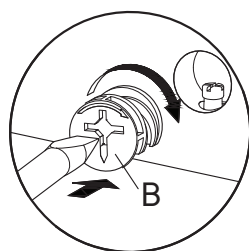
# Step 4

## HARDWARE

- B** Cam Lock Ø15 mm x2

## COMPONENTS

- 2** Side Board Left x1
- 6** Support Board 2 x1
- 7** Front Skirt x1





# Step 5

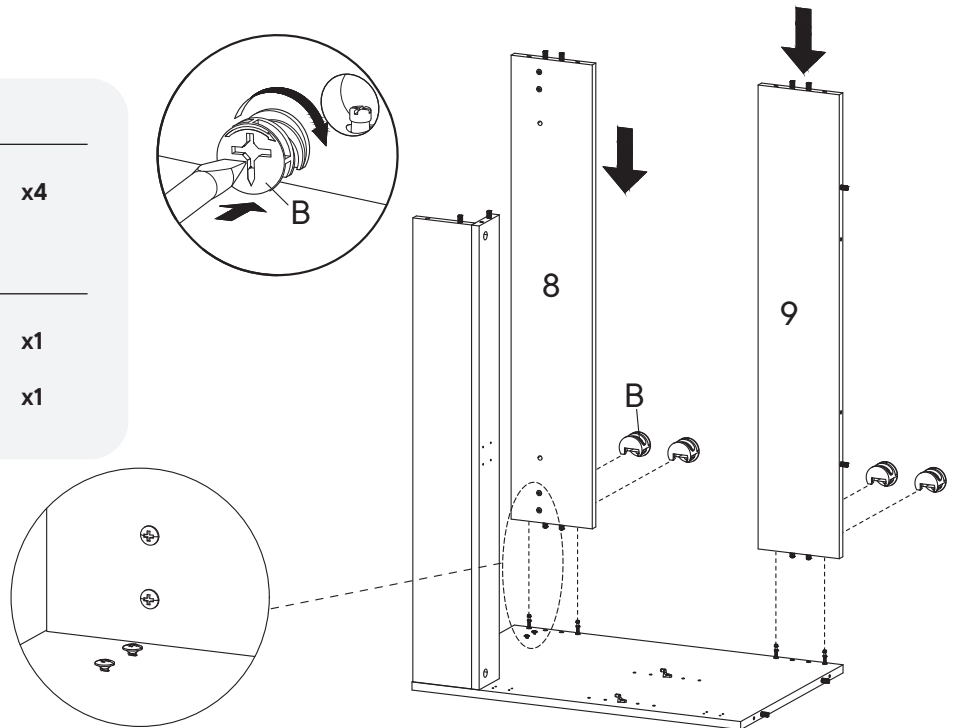
## HARDWARE

**B** Cam Lock Ø15 mm x4

## COMPONENTS

**8** Back Board 1 x1

**9** Back Board 2 x1



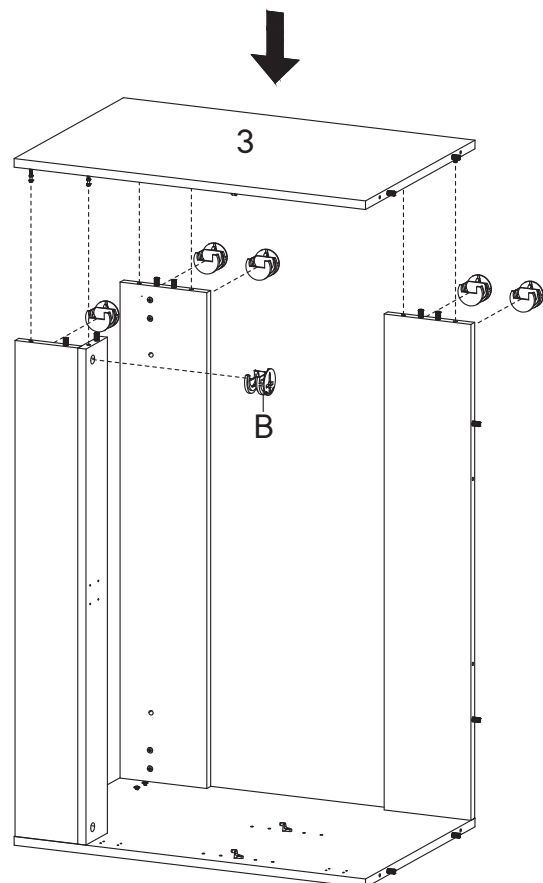
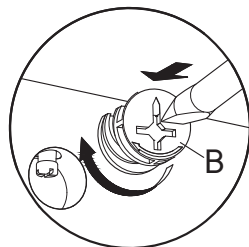
# Step 6

## HARDWARE

**B** Cam Lock Ø15 mm x6

## COMPONENTS

**3** Side Board Right x1



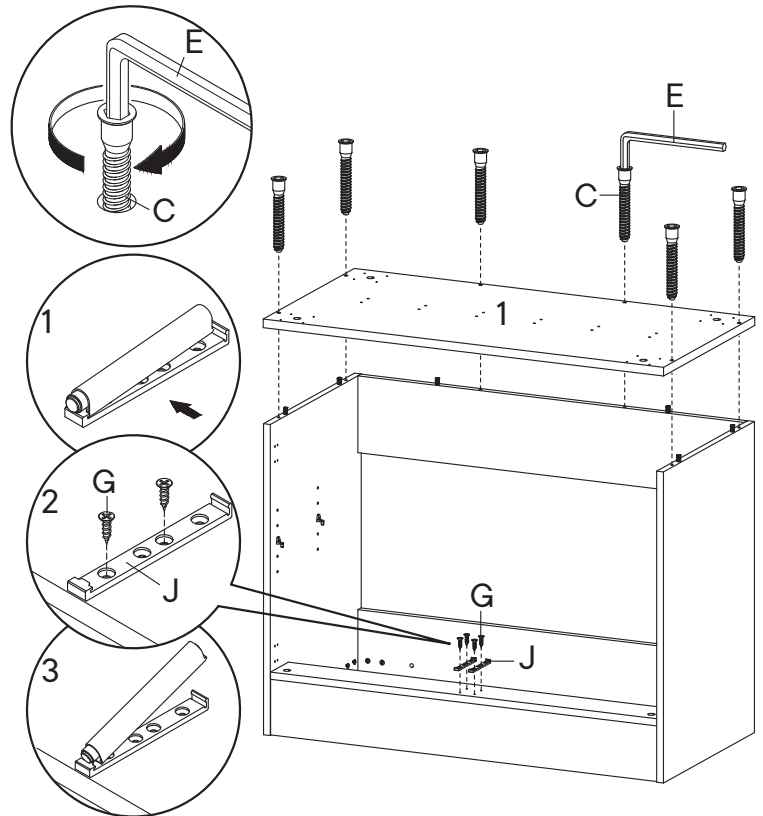
# Step 7

## HARDWARE

- C** Screw M 7 x 50 mm x6
- E** Allen Key x1
- G** Screw M 3.5 x 13 mm x4
- J** Push Tool x2

## COMPONENTS

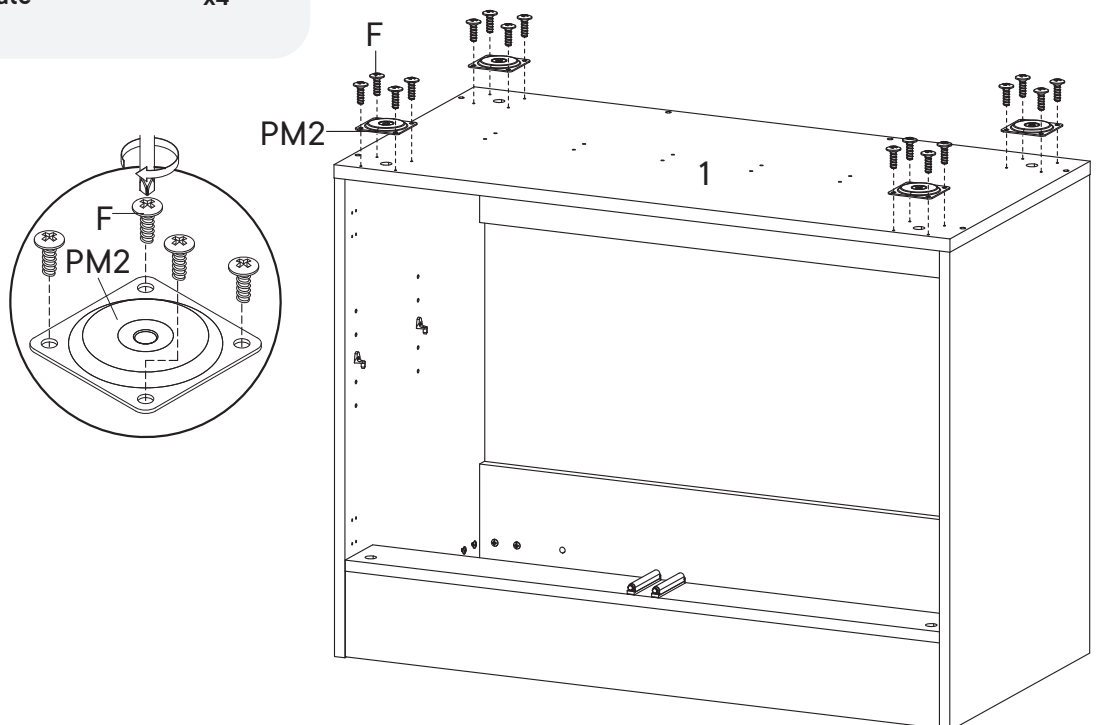
- 1** Bottom Board x1



# Step 8

## HARDWARE

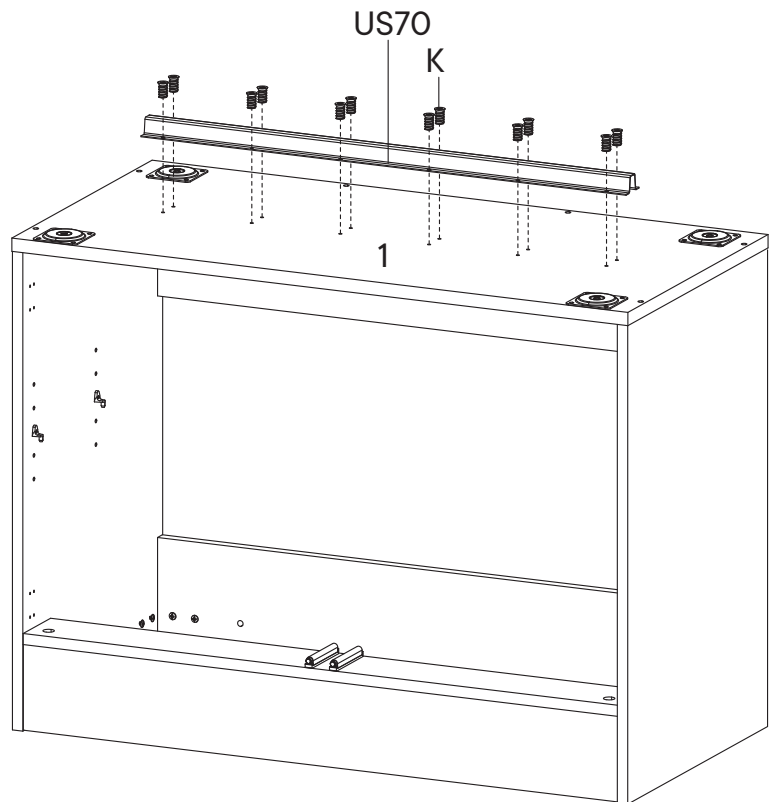
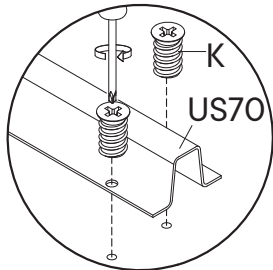
- F** Screw M 4.5 x 12.5 mm x16
- PM2** Mounting Plate x4



# Step 9

## HARDWARE

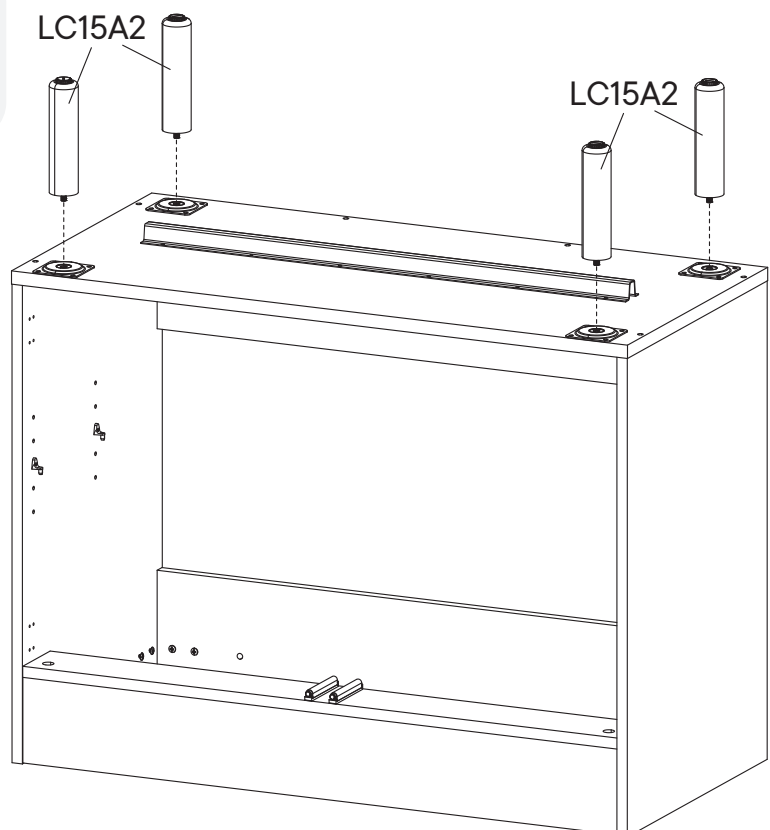
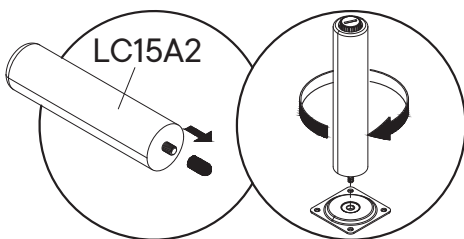
- K** Screw M 6 x 12.5 mm x12
- US70** Anti-Deflection Bar x1



# Step 10

## HARDWARE

- LC15A2** Leg x4



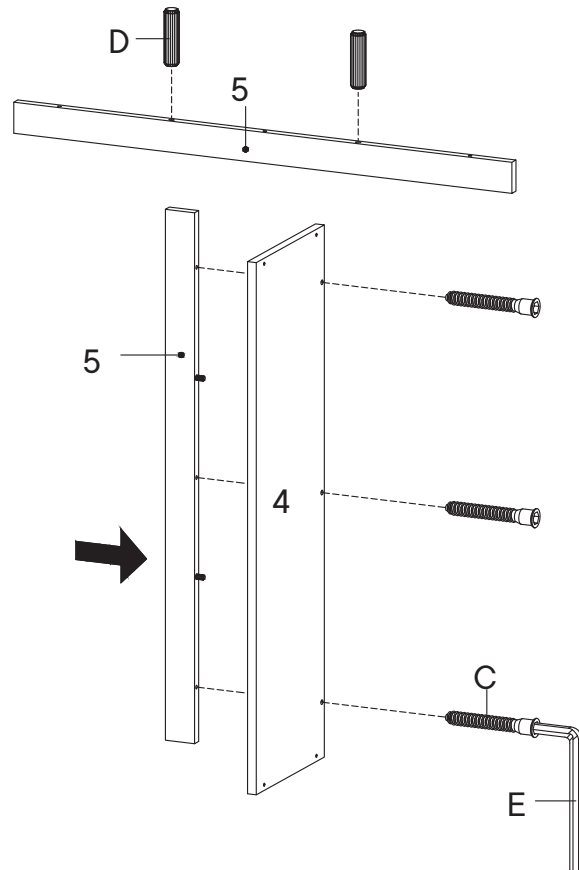
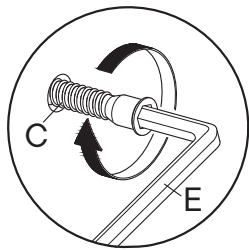
# Step 11

## HARDWARE

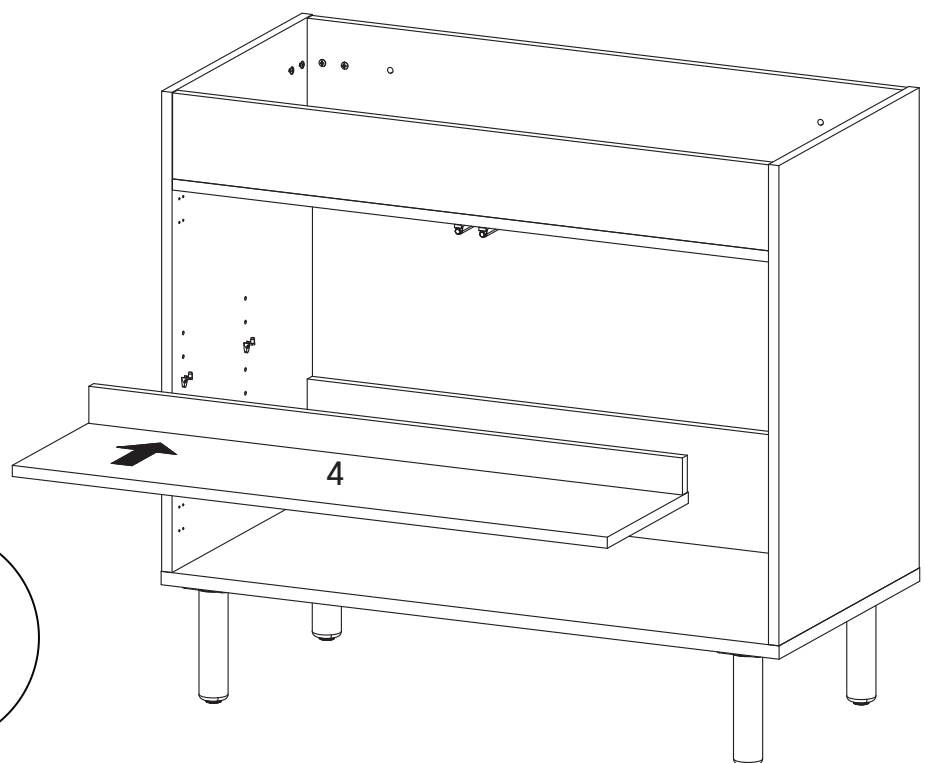
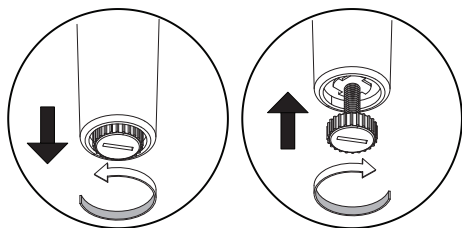
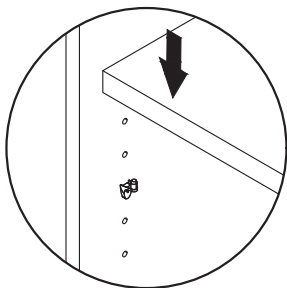
- C** Screw M 7 x 50 mm x3
- D** Wood Dowel Ø8 x 30 mm x2
- E** Allen Key x1

## COMPONENTS

- 4** Adjustable Shelf x1
- 5** Support Board 1 x1



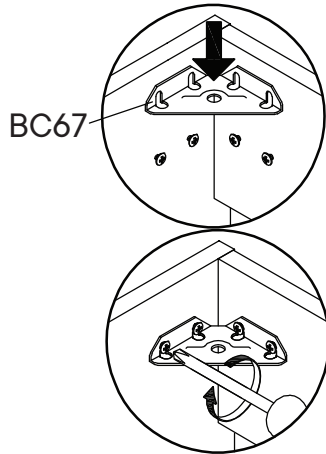
# Step 12



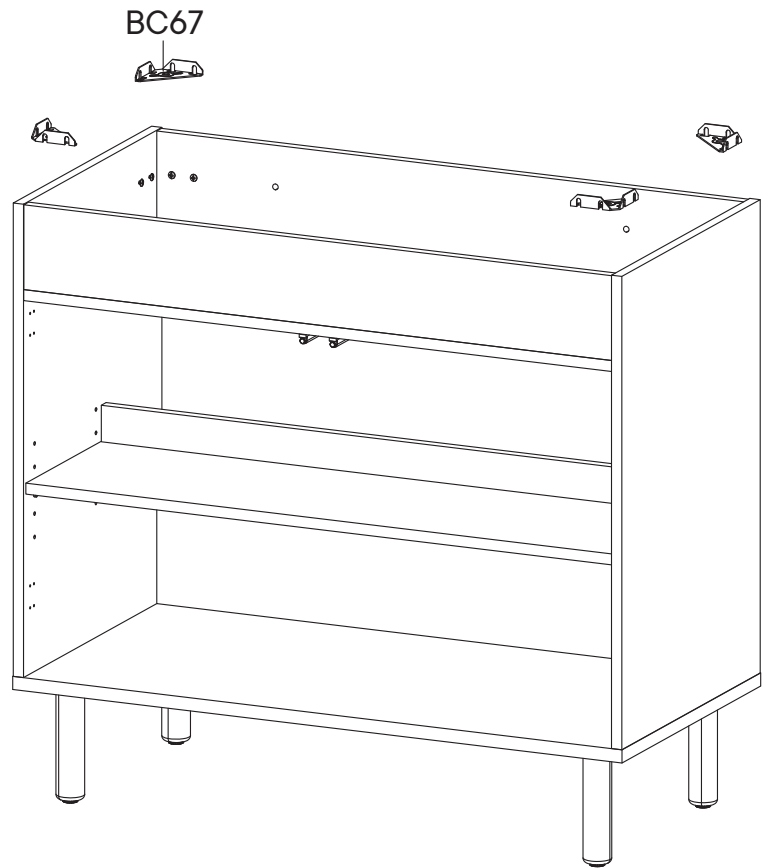
# Step 13

## HARDWARE

**BC67** Bracket x4



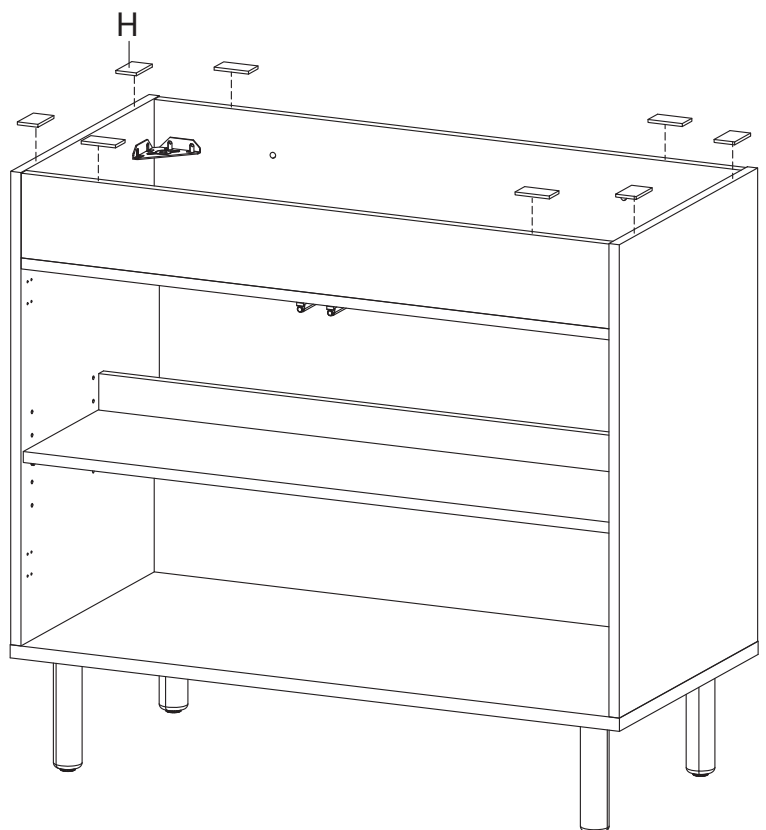
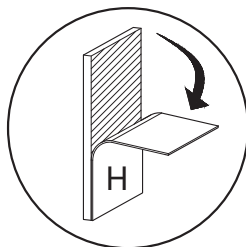
NOTE :  
Tighten all the screw



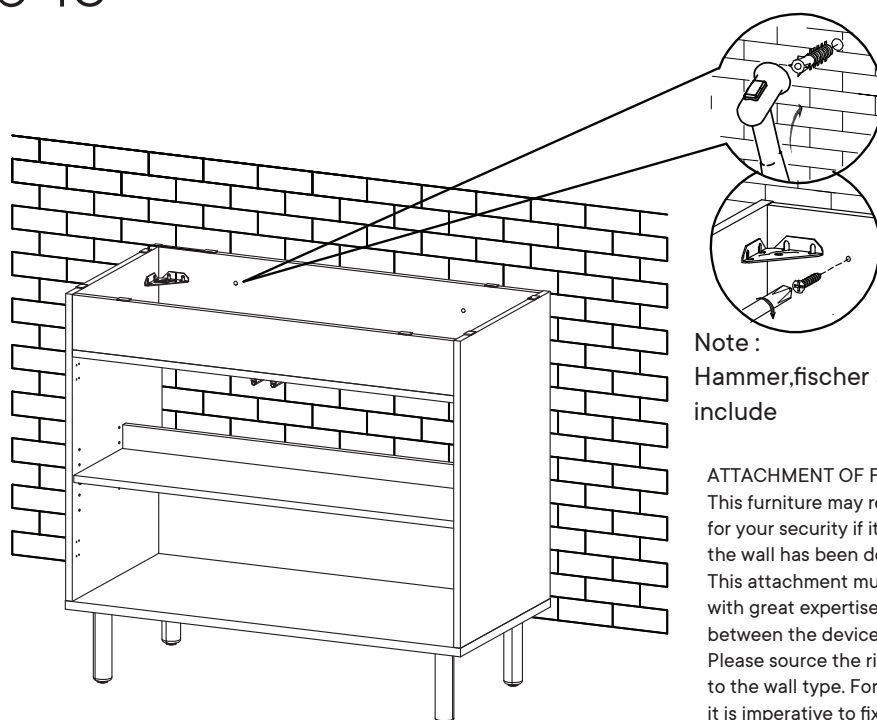
# Step 14

## HARDWARE

**H** Foam/Rubber Pad x8



## Step 15



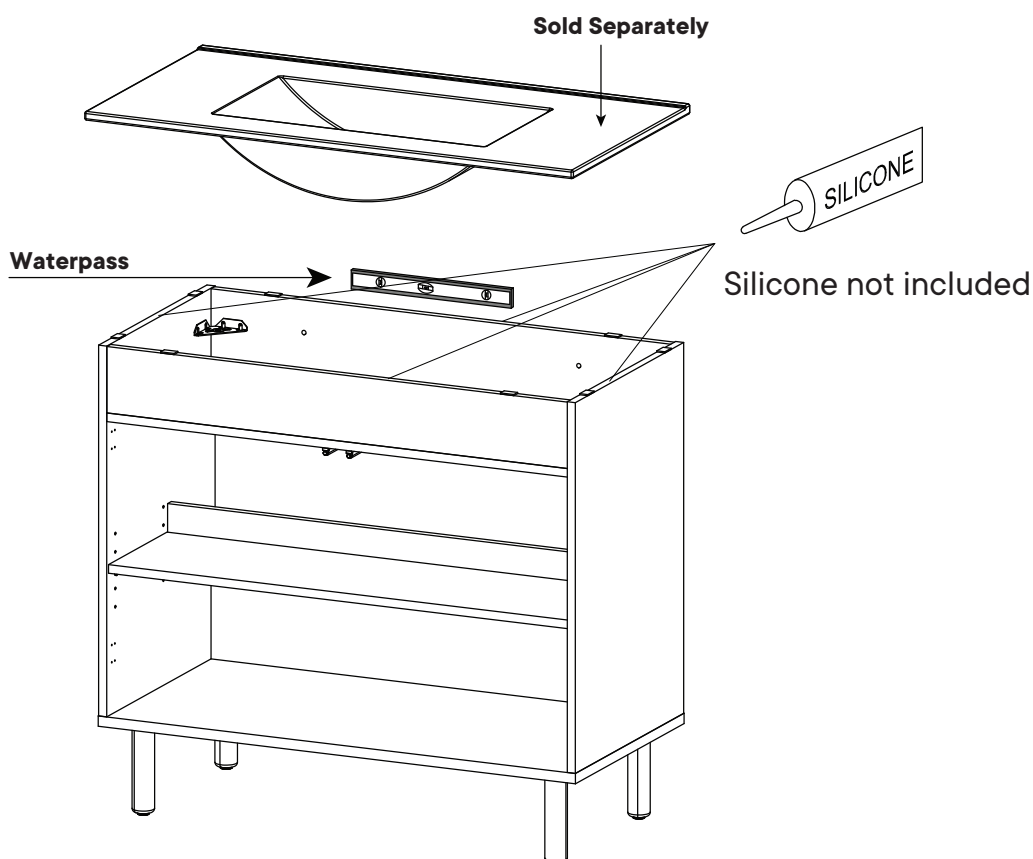
Note :  
Hammer, fischer and screw not include

### ATTACHMENT OF FURNITURE

This furniture may represent a danger for your security if its attachment on the wall has been done in an incorrect way. This attachment must be done by a person with great expertise who will make sure adequacy between the device of fixing and the wall. Please source the right fitting according to the wall type. For your safety, it is imperative to fix your furniture to the wall

## Step 16

Apply a thin bead of silicone compound around the vanity base and set the vanity top carefully in place. Remove any excess silicone compound with a wet rag





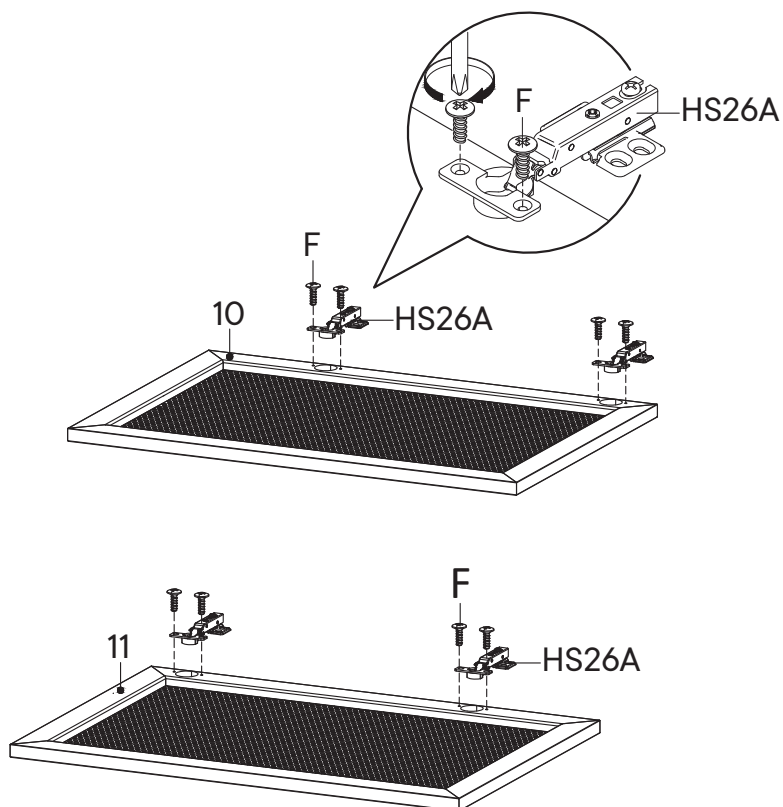
# Step 17

## HARDWARE

- F** Screw M 4.5 x 12.5 mm x8
- HS26A** Hinge x4

## COMPONENTS

- 10** Frame Door Left x1
- 11** Frame Door Right x1



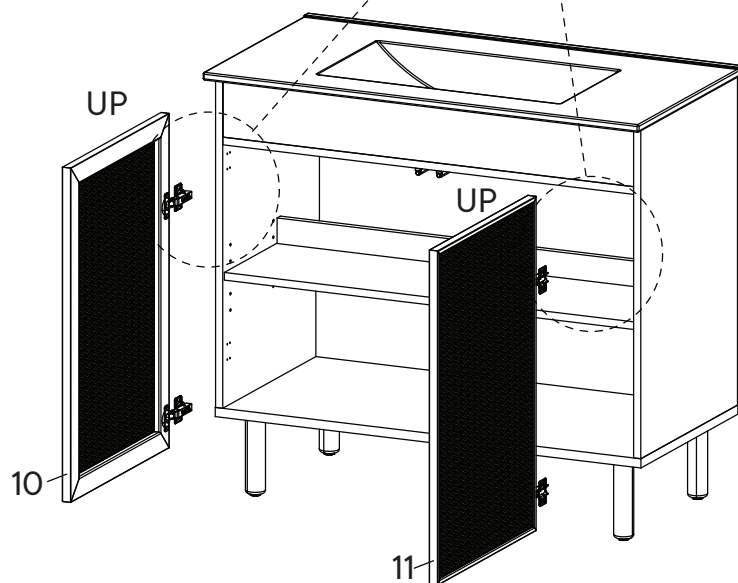
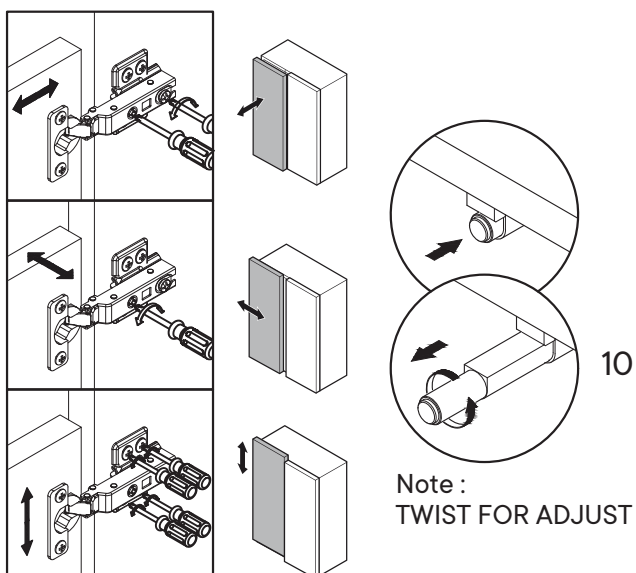
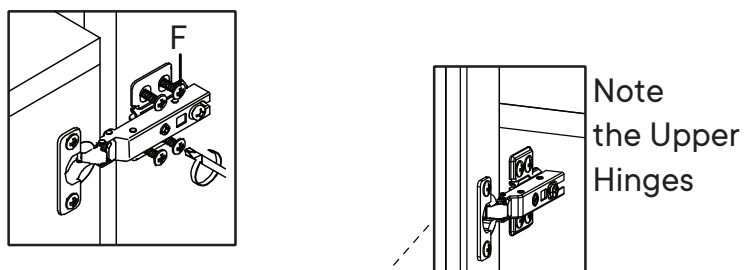
# Step 18

## HARDWARE

- F** Screw M 4.5 x 12.5 mm x16

## COMPONENTS

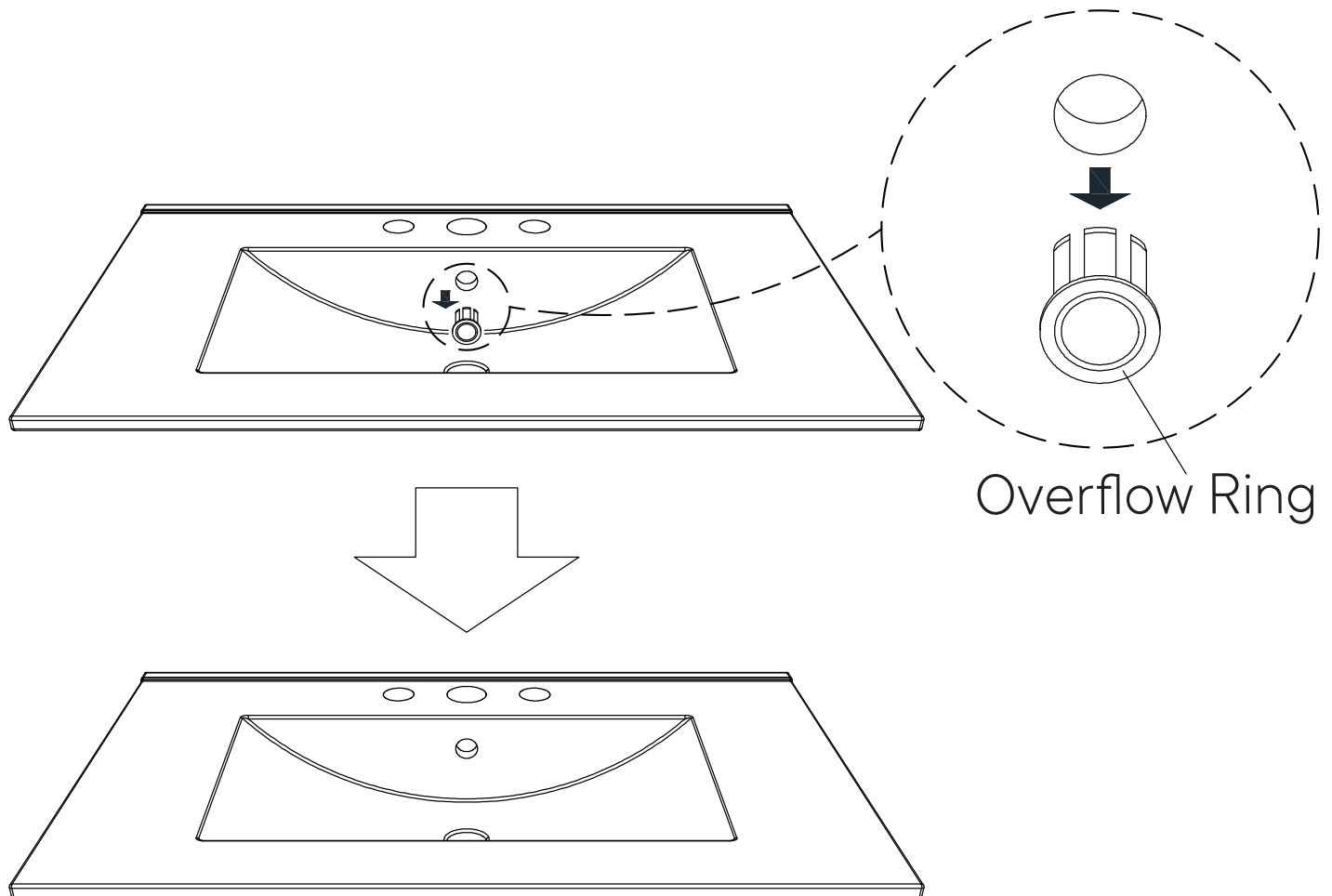
- 10** Frame Door Left x1
- 11** Frame Door Right x1



# A quick note...

\*modway

Your sink basin comes complete with a silver overflow ring.  
If you'd like to remove this overflow ring, you can do so by hand.



**Wait!**

**Missing parts or hardware? Need assistance?**

Contact us before returning your item. We're here to help!

609.256.9000 • [cs@modway.com](mailto:cs@modway.com)

# Great job!

Cabinet assembly is complete.

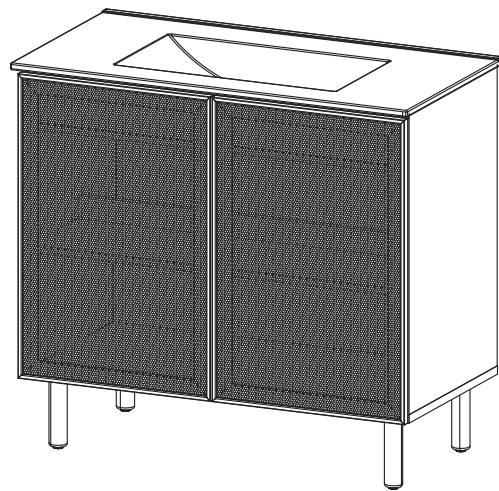
## ♥ CARING FOR YOUR ITEM

Indoor use only.

Not contract grade.

Clean using a non-abrasive cloth and a mild cleaner.

Never use harsh chemicals, as they could damage the finish or integrity of the item.



CONNECT WITH US!   

Tag us [@modway\\_furniture](#) and [#modway](#) for a chance to be featured.