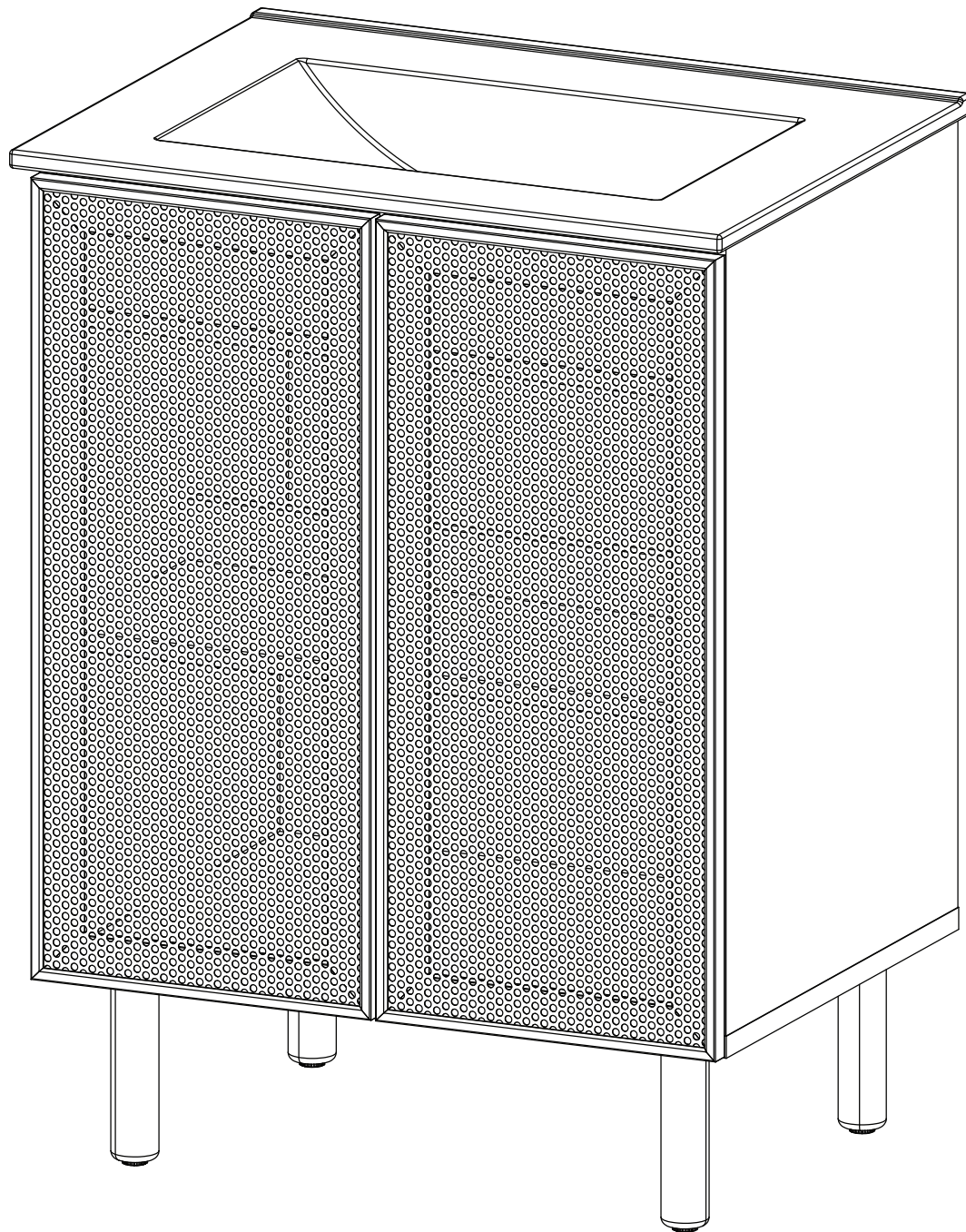


ASSEMBLY INSTRUCTIONS

EEI-6621

V0.08.07.23



Questions? Contact us!

609.256.9000 • cs@modway.com
www.modway.com

*modway



Read through all of the instructions before starting



Care instructions are listed in the last step of this manual



Approx. 90 minutes assembly time



Make sure you have all parts and components before discarding any packing materials



2 people recommended for assembly

Only use hand tools to assemble this item. Do not use power tools. Do not tighten bolts or screws completely until all hardware is lined up and inserted into the holes.

Do not over-tighten screws and bolts to avoid stripping the hardware or cracking the item.

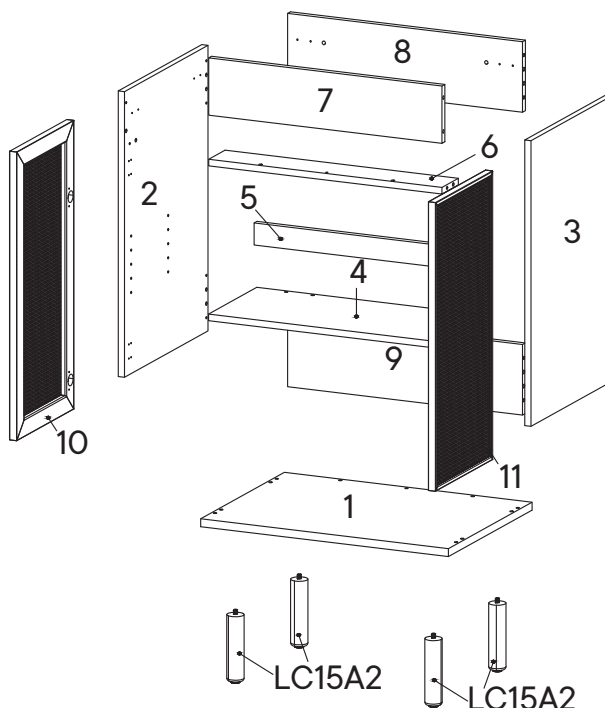
For vanity and plumbing installation, we suggest hiring a professional contractor and plumber.

Assemble your item on a flat, carpeted area, with plenty of space to work. This will prevent damage and scratches to your floors or the item while you're assembling the product.

Keep all components and packaging out of reach of children or animals to avoid risk of choking or suffocation.

Furniture components:

| | | | | | |
|----|------------------|----|--------|------------------|----|
| 1 | Bottom Board | x1 | 11 | Frame Door Right | x1 |
| 2 | Side Board Left | x1 | LC15A2 | Leg | x4 |
| 3 | Side Board Right | x1 | | | |
| 4 | Adjustable Shelf | x1 | | | |
| 5 | Support Board 1 | x1 | | | |
| 6 | Support Board 2 | x1 | | | |
| 7 | Front Skirt | x1 | | | |
| 8 | Back Board 1 | x1 | | | |
| 9 | Back Board 2 | x1 | | | |
| 10 | Frame Door Left | x1 | | | |



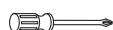
Provided hardware:

| | | | | | | | |
|---|--|---|-----|-------|--|----------------|----|
| A | | Cam Bolt $\varnothing 6 \times 35$ mm | x13 | BC67 | | Bracket | x4 |
| B | | Cam Lock $\varnothing 15$ mm | x13 | HS26A | | Hinge | x4 |
| C | | Screw M 7 x 50 mm | x7 | PM2 | | Mounting Plate | x4 |
| D | | Wood Dowel $\varnothing 8 \times 30$ mm | x22 | | | | |
| E | | Allen Key | x2 | | | | |
| F | | Screw M 4.5 x 12.5 mm | x56 | | | | |
| G | | Screw M 3.5 x 13 mm | x4 | | | | |
| H | | Foam/Rubber Pad | x8 | | | | |
| I | | Shelf Support | x4 | | | | |
| J | | Push Tool | x2 | | | | |

What you need:



Phillips



Phillips Head Screwdriver

You may also need:

- + Power Drill
- + Level
- + Silicone Adhesive or Caulk
- + Drywall Anchors and Screws
- + Other Wall-Mounting Hardware

Wait!

Missing parts or hardware? Need assistance?
Contact us before returning your item. We're here to help!
609.256.9000 • cs@modway.com

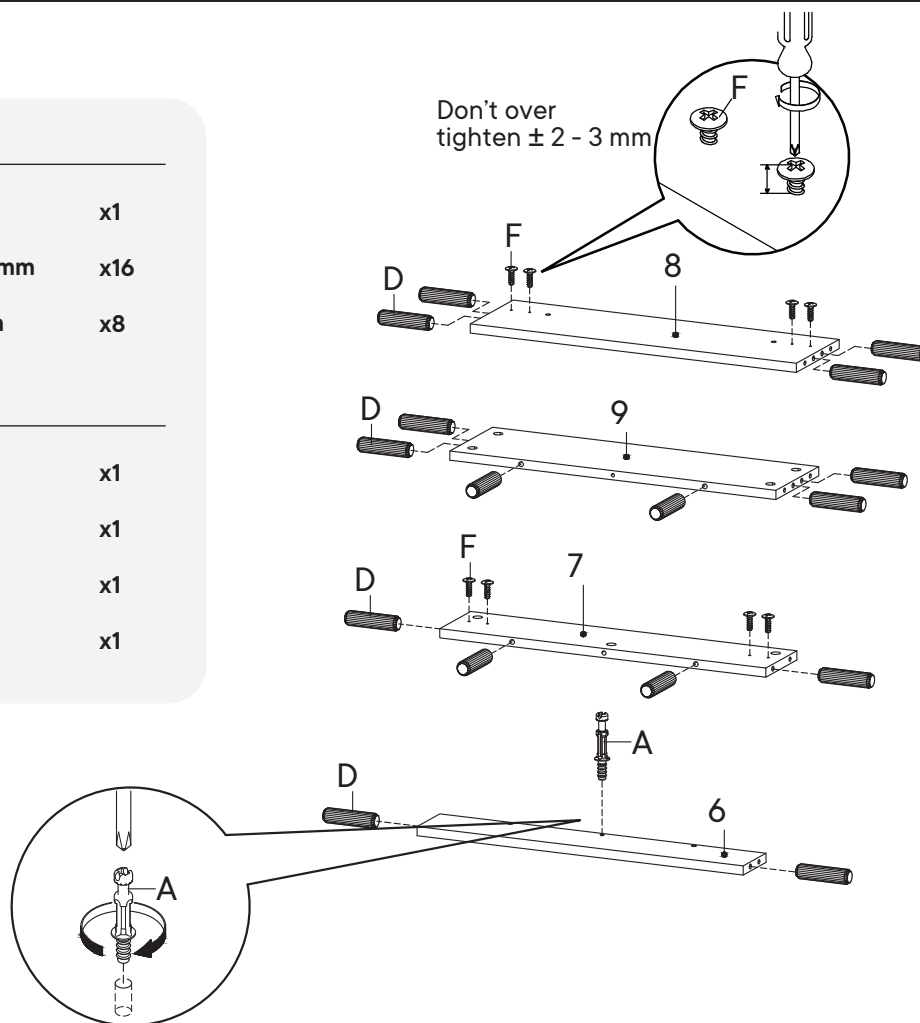
Step 1

HARDWARE

- A** Cam Bolt Ø6 x 35 mm x1
- D** Wood Dowel Ø8 x 30 mm x16
- F** Screw M 4.5 x 12.5 mm x8

COMPONENTS

- 6** Support Board 2 x1
- 7** Front Skirt x1
- 8** Back Board 1 x1
- 9** Back Board 2 x1



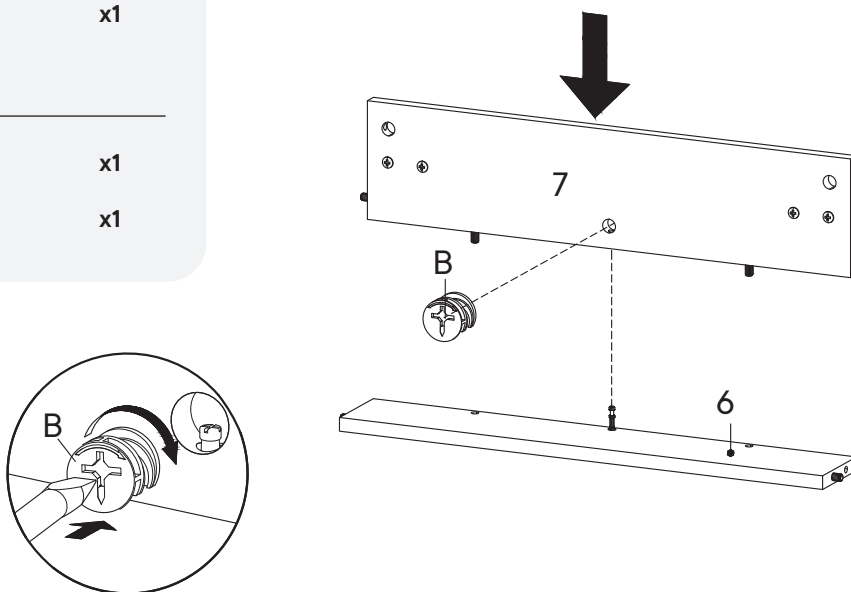
Step 2

HARDWARE

- B** Cam Lock Ø15 mm x1

COMPONENTS

- 6** Support Board 2 x1
- 7** Front Skirt x1



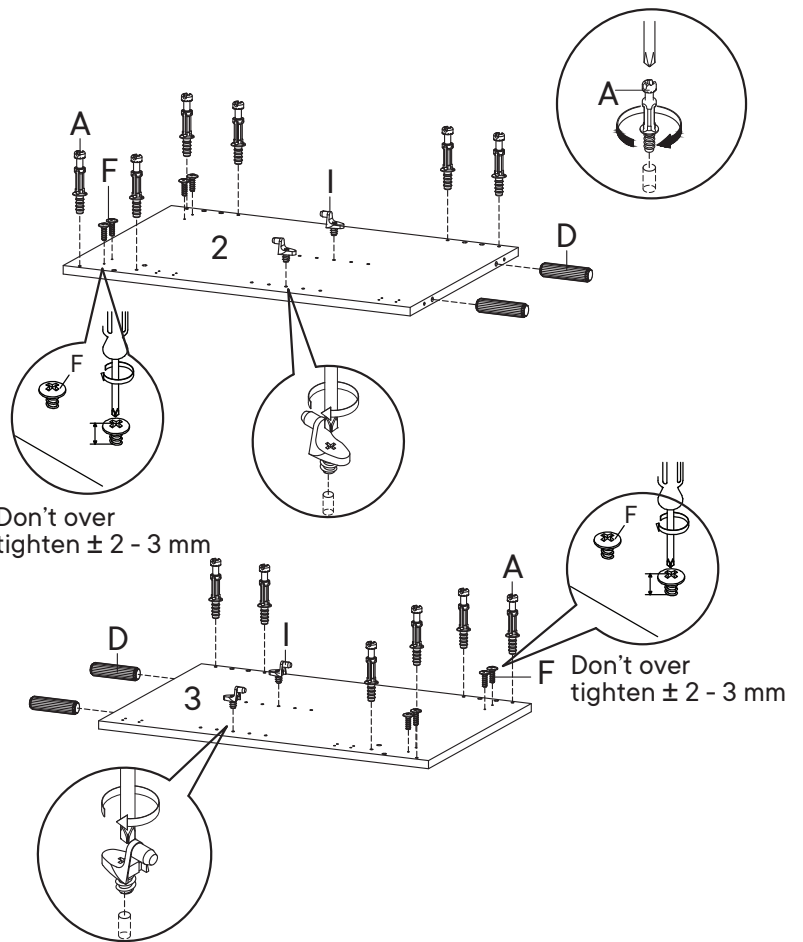
Step 3

HARDWARE

- A** Cam Bolt Ø6 x 35 mm x12
- D** Wood Dowel Ø8 x 30 mm x4
- F** Screw M 4.5 x 12.5 mm x8
- I** Shelf Support x4

COMPONENTS

- 2** Side Board Left x1
- 3** Side Board Right x1



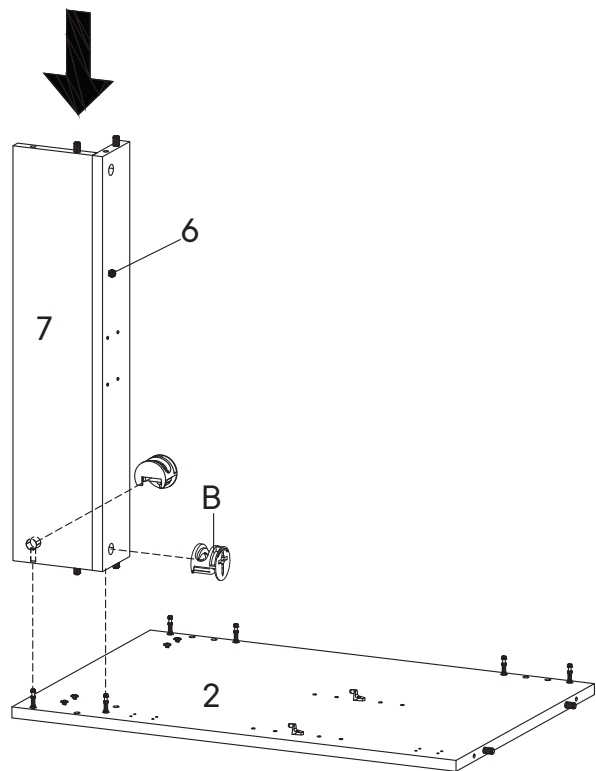
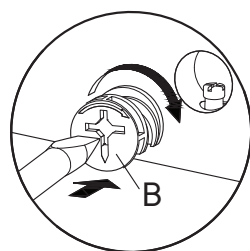
Step 4

HARDWARE

- B** Cam Lock Ø15 mm x2

COMPONENTS

- 2** Side Board Left x1
- 6** Support Board 2 x1
- 7** Front Skirt x1



Step 5

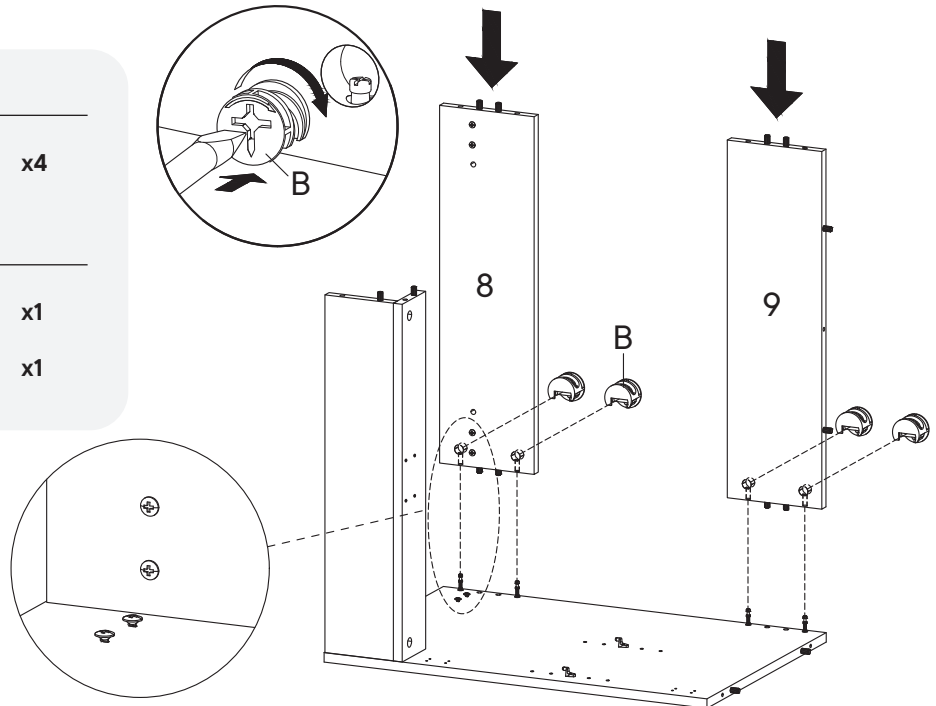
HARDWARE

B Cam Lock Ø15 mm x4

COMPONENTS

8 Back Board 1 x1

9 Back Board 2 x1



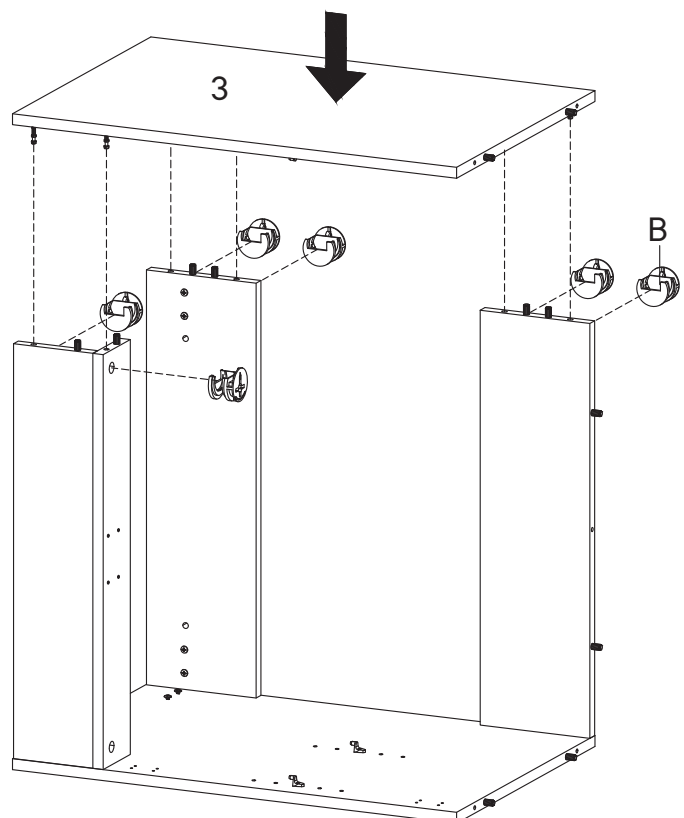
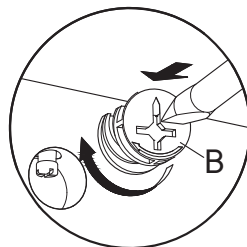
Step 6

HARDWARE

B Cam Lock Ø15 mm x6

COMPONENTS

3 Side Board Right x1



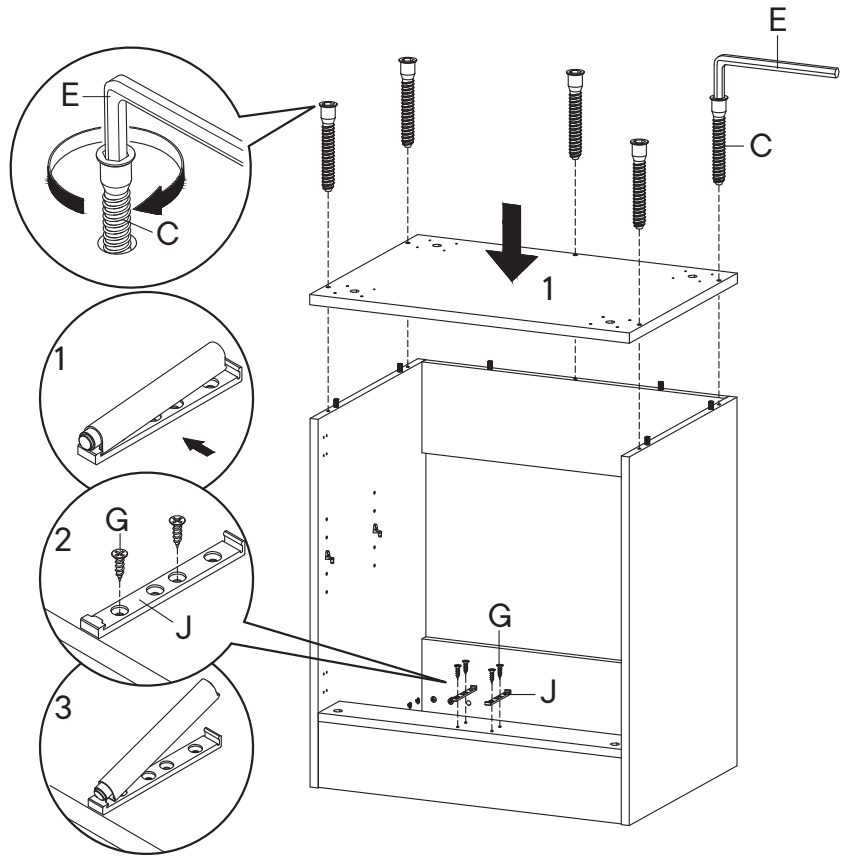
Step 7

HARDWARE

- C** Screw M 7 x 50 mm x5
- E** Allen Key x1
- G** Screw M 3.5 x 13 mm x4
- J** Push Tool x2

COMPONENTS

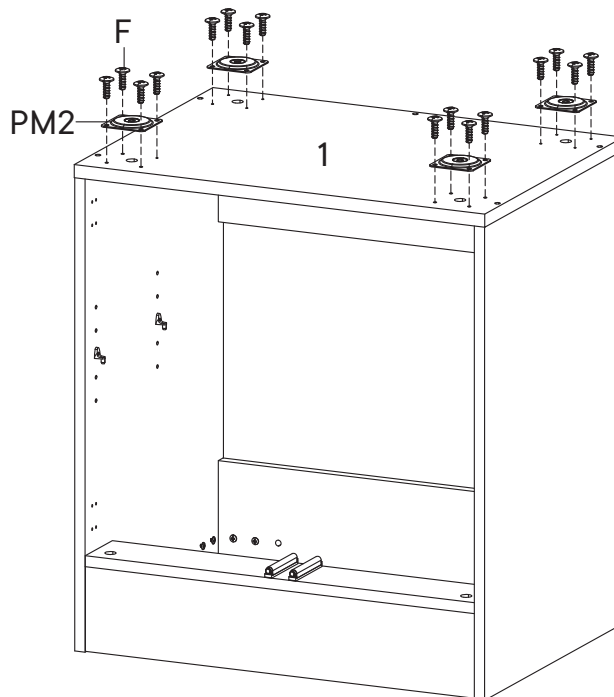
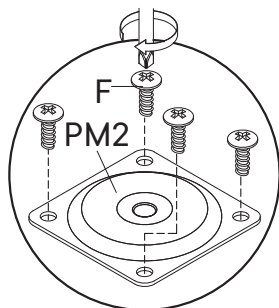
- 1** Bottom Board x1



Step 8

HARDWARE

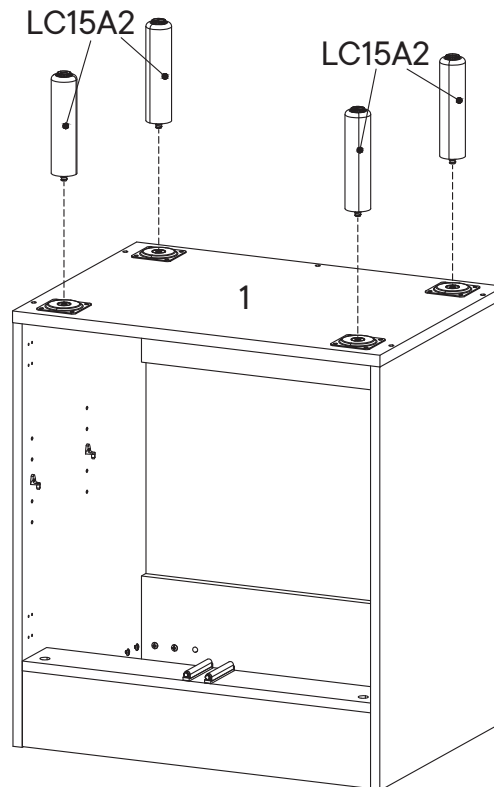
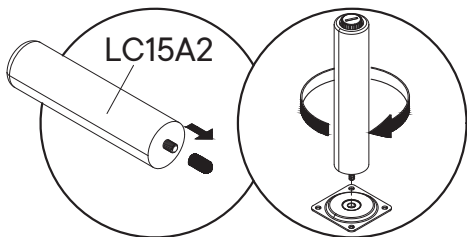
- F** Screw M 4.5 x 12.5 mm x16
- PM2** Mounting Plate x4



Step 9

HARDWARE

LC15A2 Leg x4



Step 10

HARDWARE

C Screw M 7 x 50 mm x2

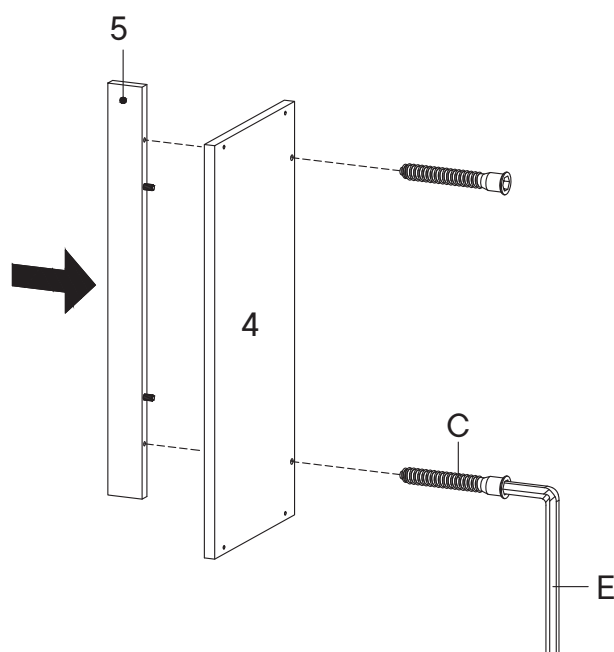
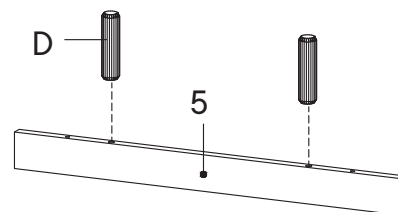
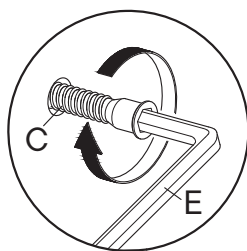
D Wood Dowel Ø8 x 30 mm x2

E Allen Key x1

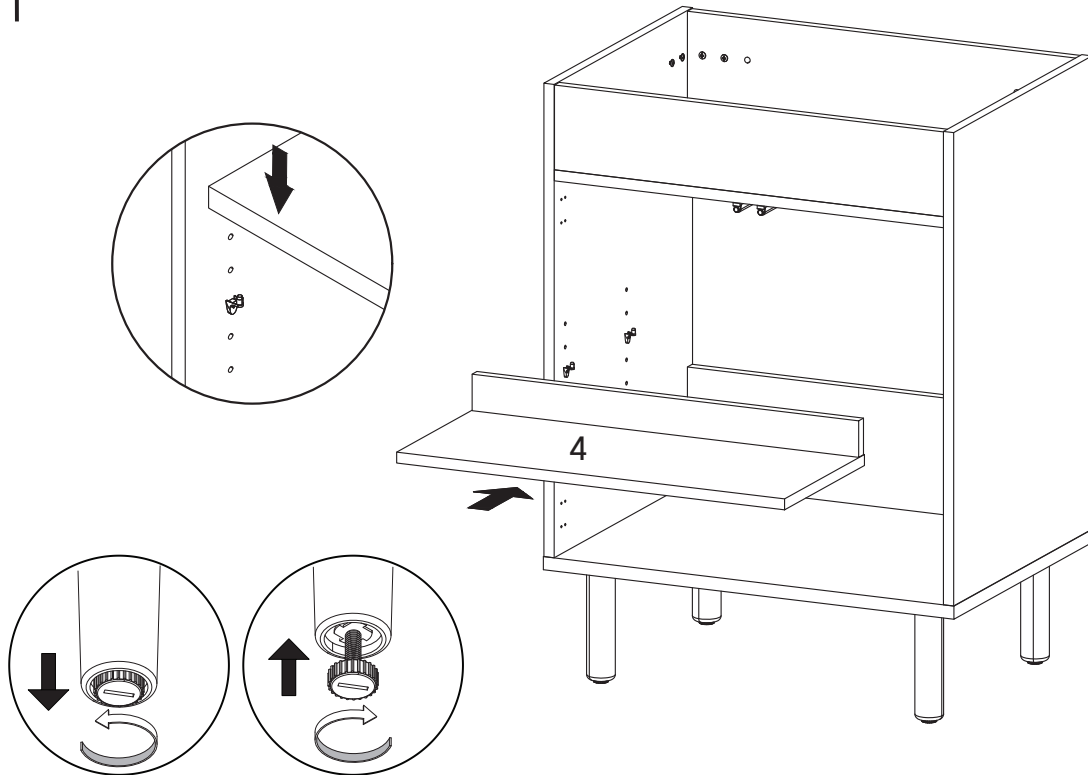
COMPONENTS

4 Adjustable Shelf x1

5 Support Board 1 x1



Step 11

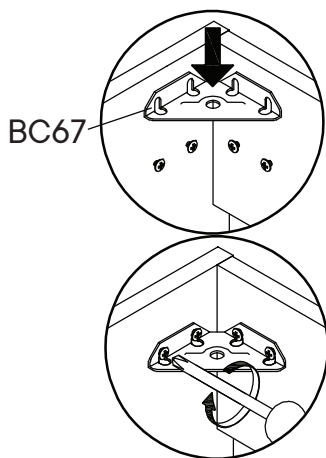


Step 12

HARDWARE

BC67 Bracket

x4



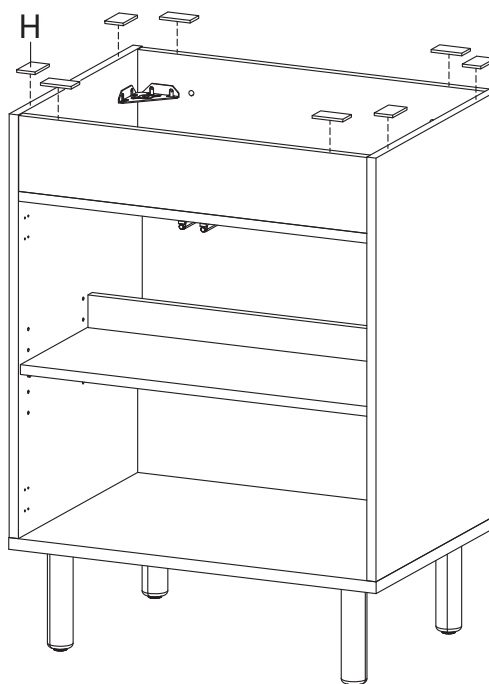
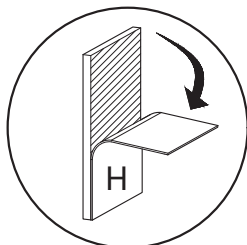
NOTE :
Tighten all the screw



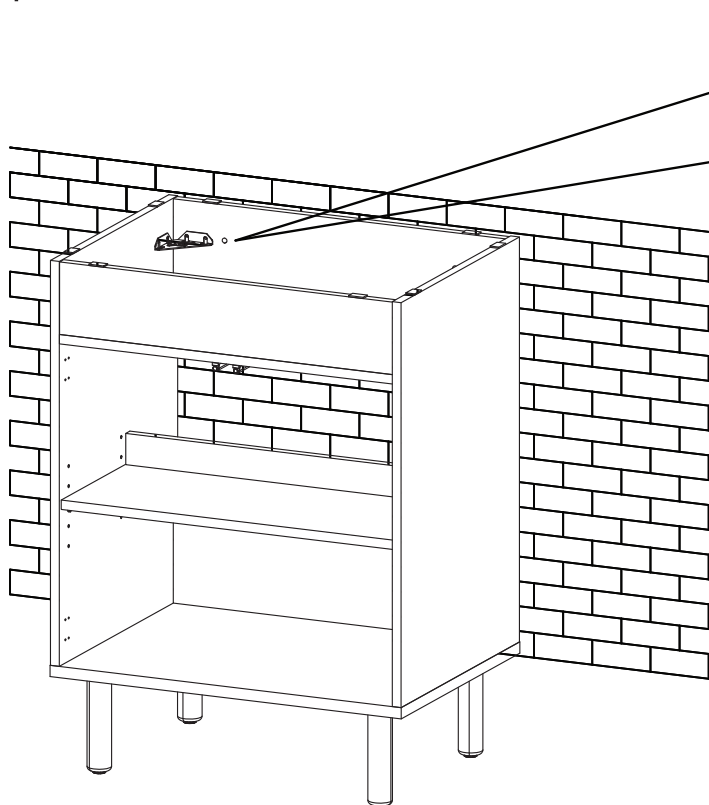
Step 13

HARDWARE

H Foam/Rubber Pad x8



Step 14



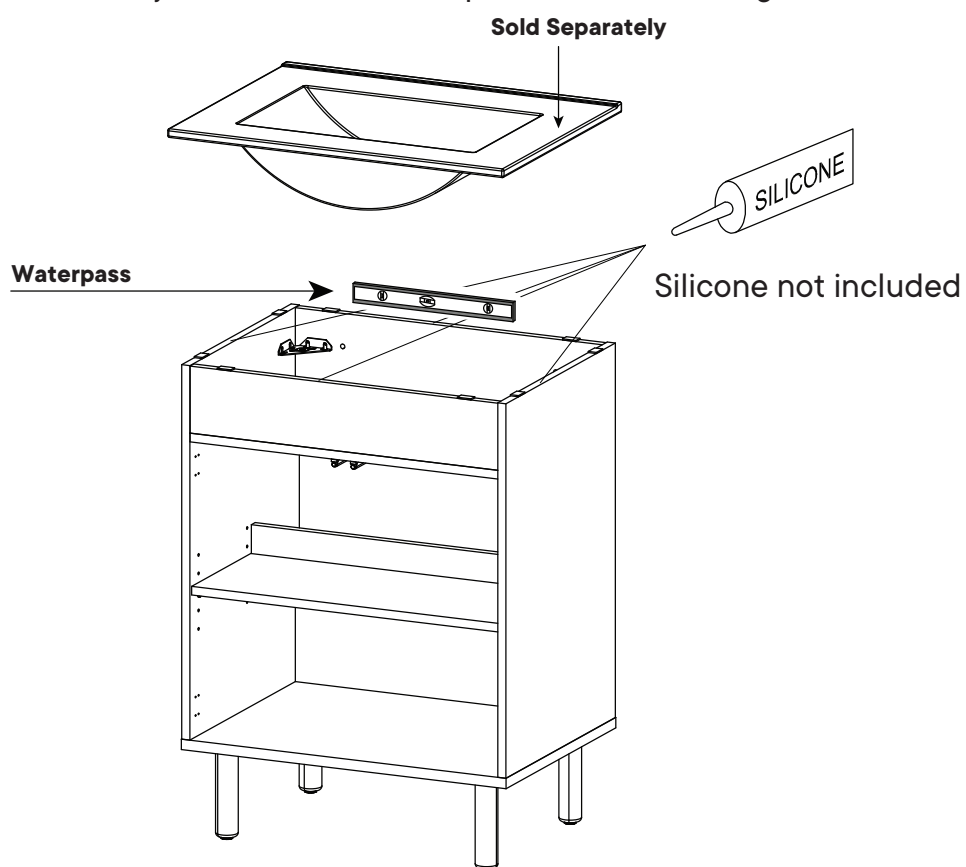
Note :
Hammer, fischer and screw not include

ATTACHMENT OF FURNITURE

This furniture may represent a danger for your security if it's attachment on the wall has been done in an incorrect way. This attachment must be done by a person with great expertise who will make sure adequacy between the device of fixing and the wall. Please source the right fitting according to the wall type. For your safety, it is imperative to fix your furniture to the wall

Step 15

Apply a thin bead of silicone compound around the vanity base and set the vanity top carefully in place. Remove any excess silicone compound with a wet rag



Step 16

HARDWARE

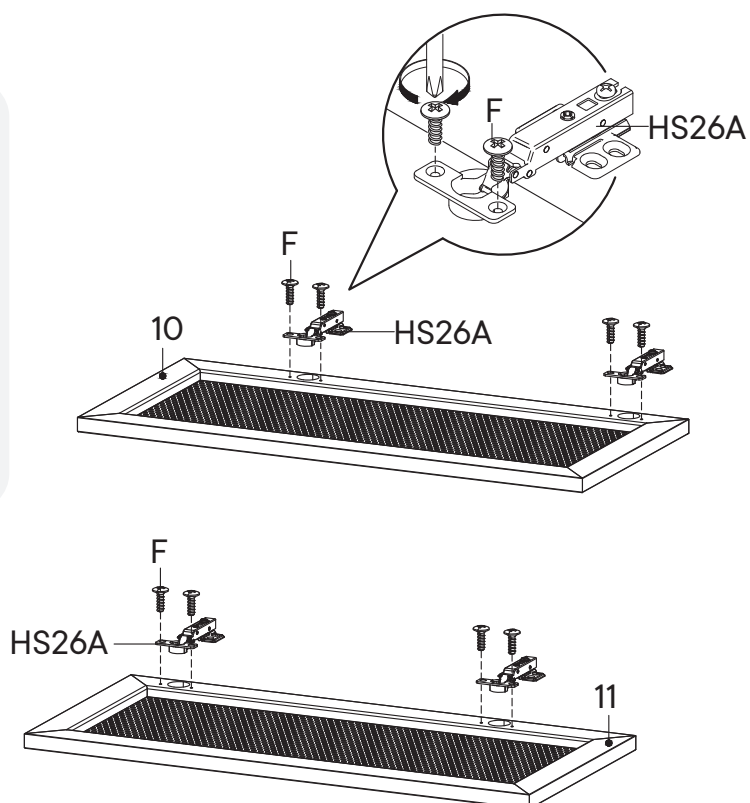
F Screw M 4.5 x 12.5 mm x8

HS26A Hinge x4

COMPONENTS

10 Frame Door Left x1

11 Frame Door Right x1



Step 17

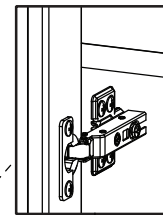
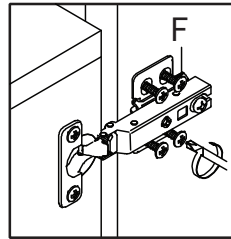
HARDWARE

F Screw M 4.5 x 12.5 mm x16

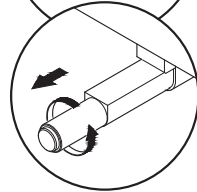
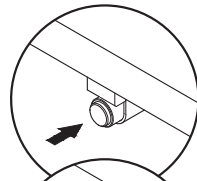
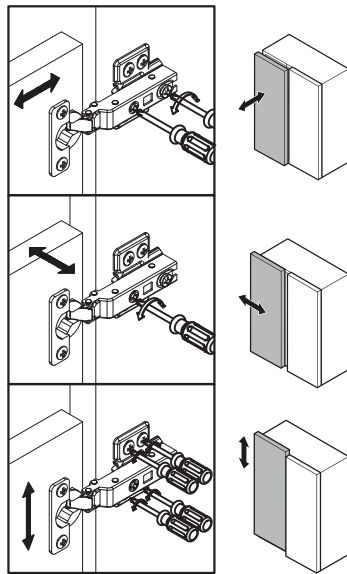
COMPONENTS

10 Frame Door Left x1

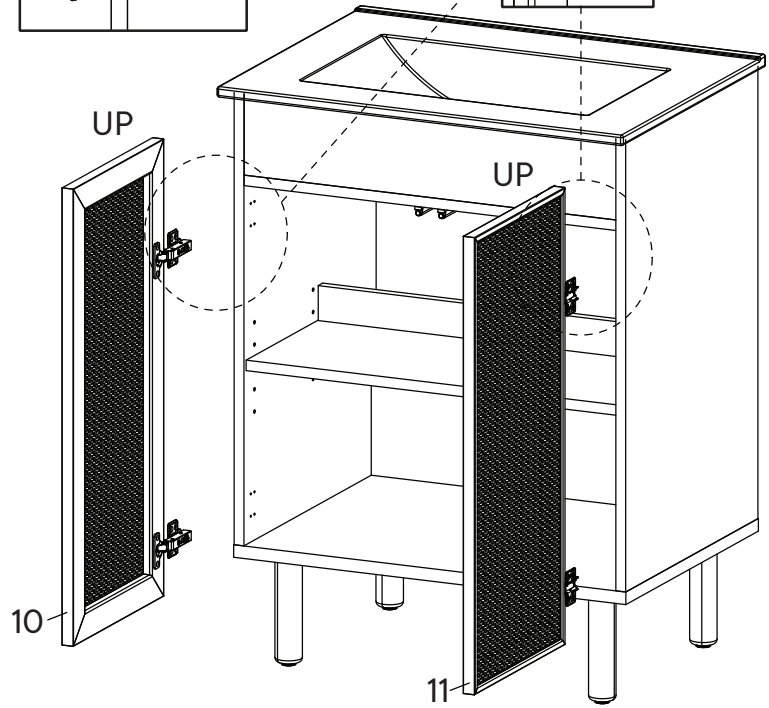
11 Frame Door Right x1



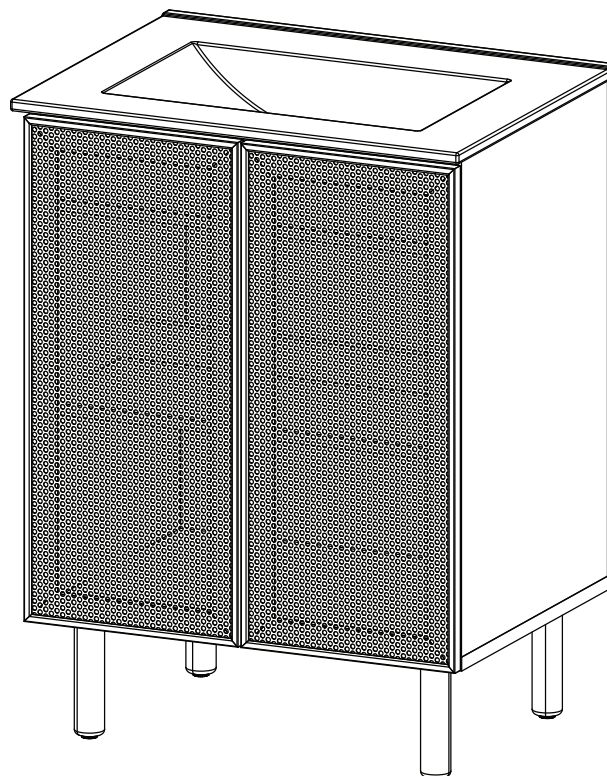
Note the Upper Hinges



Note: TWIST FOR ADJUST



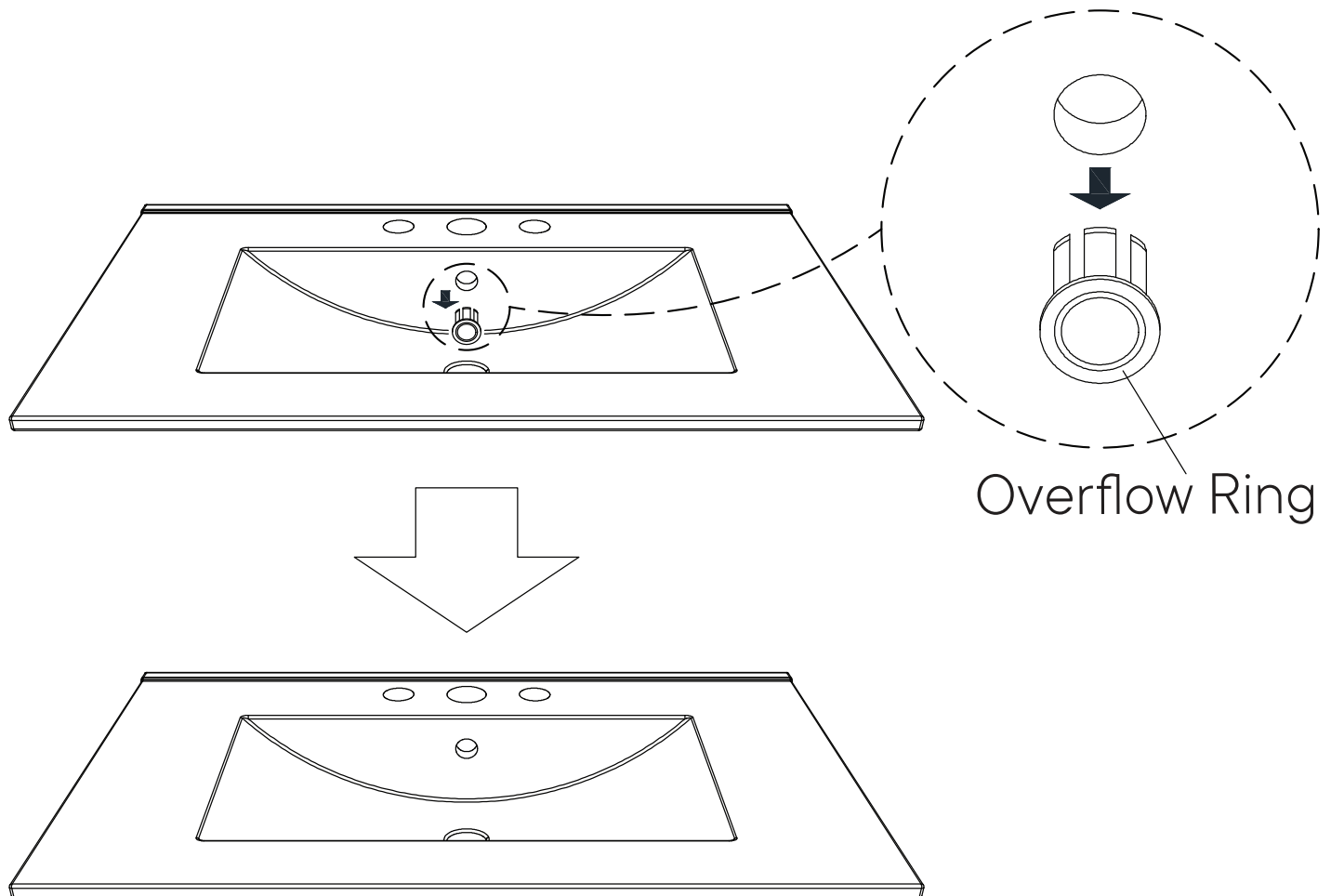
Step 18



A quick note...

*modway

Your sink basin comes complete with a silver overflow ring.
If you'd like to remove this overflow ring, you can do so by hand.



Wait!

Missing parts or hardware? Need assistance?

Contact us before returning your item. We're here to help!

609.256.9000 • cs@modway.com

Great job!

Cabinet assembly is complete.

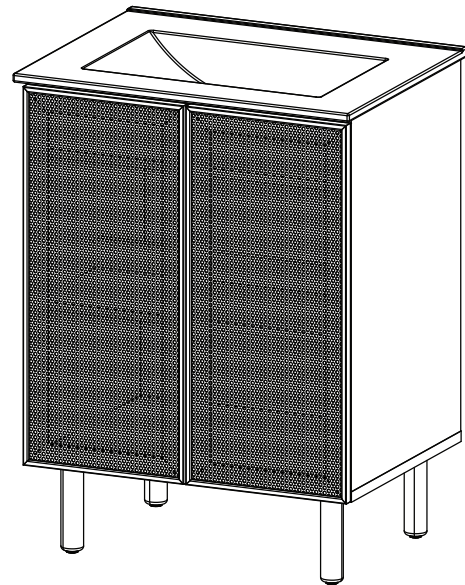
♥ CARING FOR YOUR ITEM

Indoor use only.

Not contract grade.

Clean using a non-abrasive cloth and a mild cleaner.

Never use harsh chemicals, as they could damage the finish or integrity of the item.



CONNECT WITH US!   

Tag us [@modway_furniture](#) and [#modway](#) for a chance to be featured.