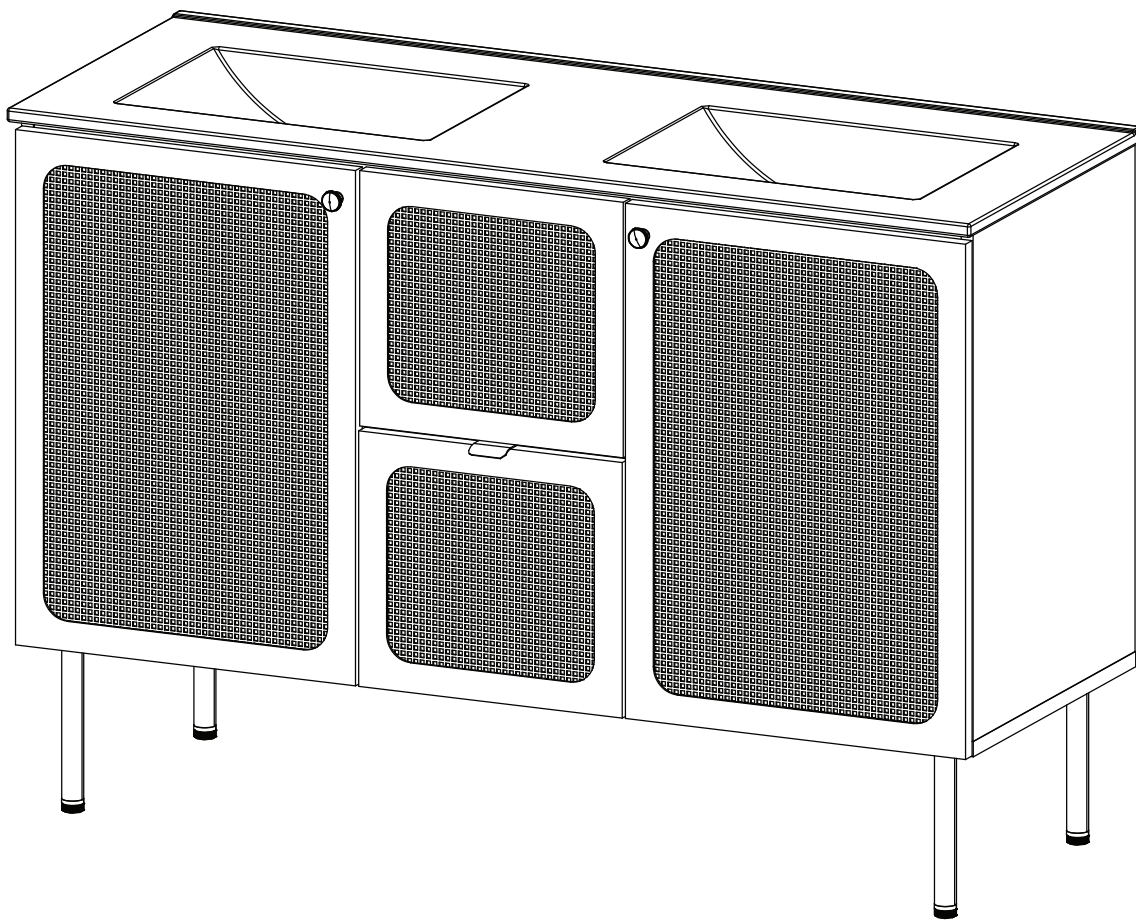


# ASSEMBLY INSTRUCTIONS

# EEI-6604

V0.02.08.23



**Questions? Contact us!**

609.256.9000 • [cs@modway.com](mailto:cs@modway.com)  
[www.modway.com](http://www.modway.com)

\*modway

# Let's get started!

\*modway



Read through all of the instructions before starting



Care instructions are listed in the last step of this manual



Approx. 120 minutes assembly time



Make sure you have all parts and components before discarding any packing materials



2 people recommended for assembly

**Only use hand tools to assemble this item.** Do not use power tools. Do not tighten bolts or screws completely until all hardware is lined up and inserted into the holes.

Do not over-tighten screws and bolts to avoid stripping the hardware or cracking the item.

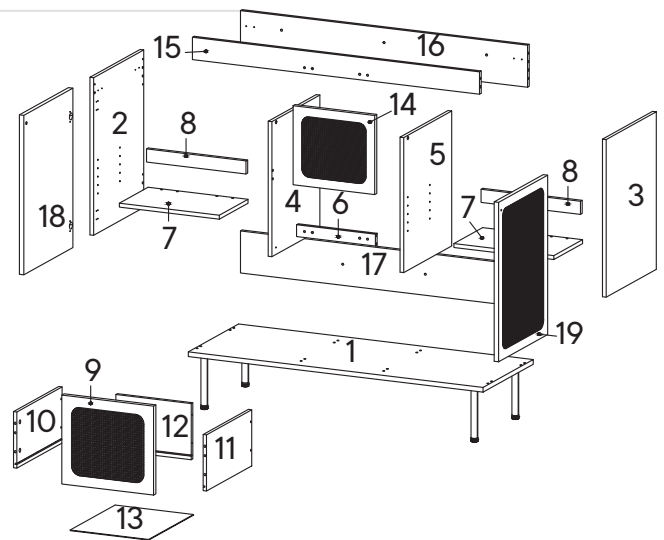
For vanity and plumbing installation, we suggest hiring a professional contractor and plumber.

Assemble your item on a flat, carpeted area, with plenty of space to work. This will prevent damage and scratches to your floors or the item while you're assembling the product.

Keep all components and packaging out of reach of children or animals to avoid risk of choking or suffocation.

## Furniture components:

|   |                    |    |    |                   |    |
|---|--------------------|----|----|-------------------|----|
| 1 | Bottom Board       | x1 | 10 | Side Drawer Left  | x1 |
| 2 | Side Board Left    | x1 | 11 | Side Drawer Right | x1 |
| 3 | Side Board Right   | x1 | 12 | Back Drawer       | x1 |
| 4 | Center Board Left  | x1 | 13 | Bottom Drawer     | x1 |
| 5 | Center Board Right | x1 | 14 | Fake Front Drawer | x1 |
| 6 | Support Board 1    | x1 | 15 | Support Board 3   | x1 |
| 7 | Adjustable Shelf   | x2 | 16 | Back Board 1      | x1 |
| 8 | Support Board 2    | x2 | 17 | Back Board 2      | x1 |
| 9 | Front Drawer       | x1 | 18 | Door Left         | x1 |
|   |                    |    | 19 | Door Right        | x1 |



## Provided hardware:

|   |  |                       |     |   |  |                       |     |        |  |                     |    |
|---|--|-----------------------|-----|---|--|-----------------------|-----|--------|--|---------------------|----|
| A |  | Cam Bolt Ø6 x 35 mm   | x14 | L |  | Screw M 8 x 39 mm     | x4  | W      |  | Screw M 4 x 13 mm   | x2 |
| B |  | Cam Lock Ø15 mm       | x10 | M |  | Screw M 4.5 x 12.5 mm | x60 | X      |  | Silicon Bumper      | x4 |
| C |  | Cam Lock Ø12 mm       | x4  | N |  | JCN Nut               | x2  | RM35A  |  | Drawer Runner       | x1 |
| D |  | Wood Dowel Ø8 x 30 mm | x28 | O |  | Screw M 6 x 15 mm     | x2  | BO45   |  | Bracket             | x2 |
| E |  | Wood Dowel Ø6 x 30 mm | x2  | P |  | Screw M 3.5 x 13 mm   | x6  | BC67   |  | Bracket             | x4 |
| F |  | Wood Dowel Ø8 x 20 mm | x4  | Q |  | Screw M 6.4 x 25 mm   | x4  | HS26A  |  | Hinge               | x4 |
| G |  | Screw M 7 x 50 mm     | x19 | R |  | Screw M 6 x 10.5 mm   | x18 | US11   |  | Anti Deflection Bar | x1 |
| H |  | Allen Key             | x2  | S |  | Wedge                 | x4  | LM20A1 |  | Leg                 | x4 |
| I |  | Door Knob             | x2  | T |  | Screw M 3.5 x 15.5 mm | x4  |        |  |                     |    |
| J |  | Screw M 4 x 22 mm     | x2  | U |  | Drawer Pull           | x1  |        |  |                     |    |
| K |  | Shelf Support         | x8  | V |  | Foam/Rubber Pad       | x10 |        |  |                     |    |

## What you need:

Phillips Head Screwdriver

## You may also need:

- + Power Drill
- + Level
- + Silicone Adhesive or Caulk
- + Drywall Anchors and Screws
- + Other Wall-Mounting Hardware

Wait!

Missing parts or hardware? Need assistance?  
Contact us before returning your item. We're here to help!  
609.256.9000 • cs@modway.com

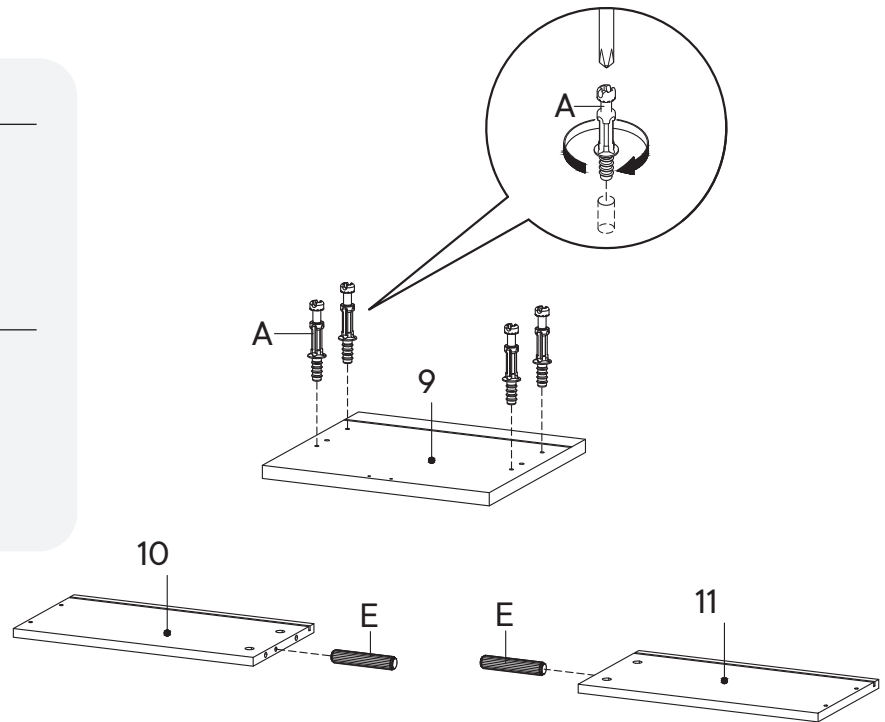
# Step 1

## HARDWARE

- A** Cam Bolt  $\varnothing 6 \times 35$  mm x4
- E** Wood Dowel  $\varnothing 6 \times 30$  mm x2

## COMPONENTS

- 9** Front Drawer x1
- 10** Side Drawer Left x1
- 11** Side Drawer Right x1



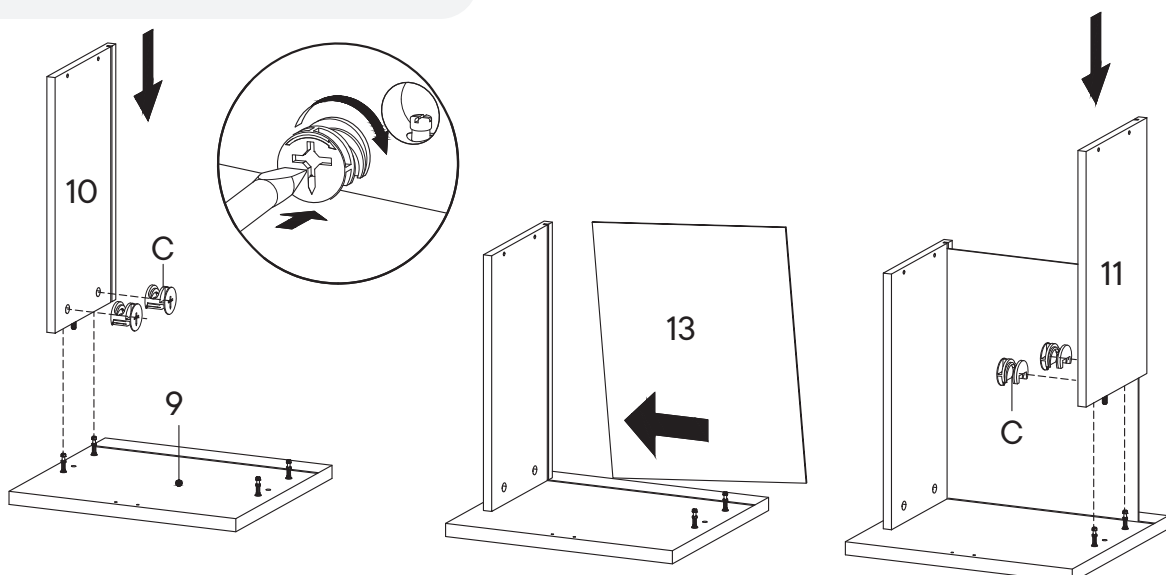
# Step 2

## HARDWARE

- C** Cam Lock  $\varnothing 12$  mm x4

## COMPONENTS

- 9** Front Drawer x1
- 10** Side Drawer Left x1
- 11** Side Drawer Right x1
- 13** Bottom Drawer x1



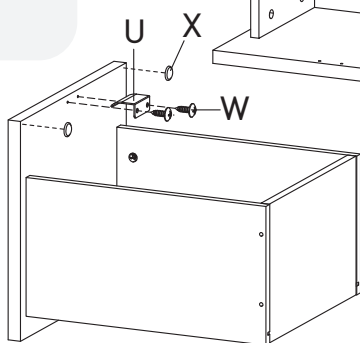
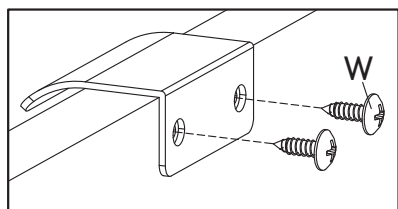
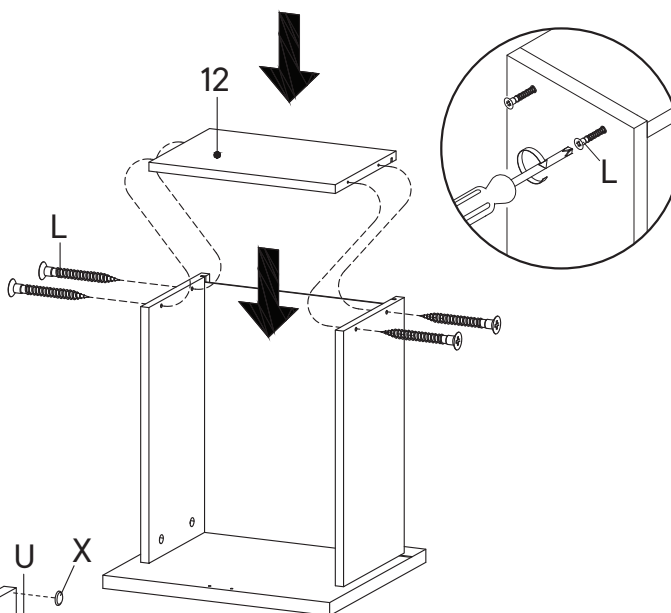
## Step 3

### HARDWARE

- L** Screw M 8 x 39 mm x4
- U** Drawer Pull x1
- W** Screw M 4 x 13 mm x2
- X** Silicon Bumper x2

### COMPONENTS

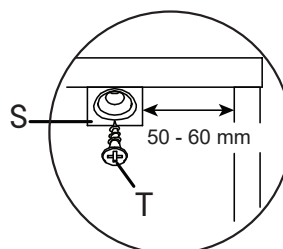
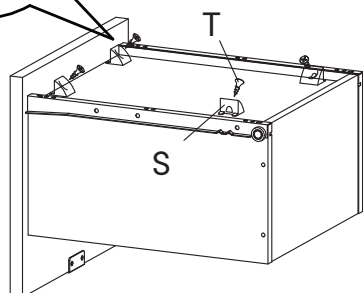
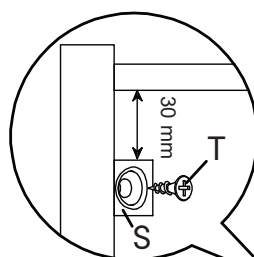
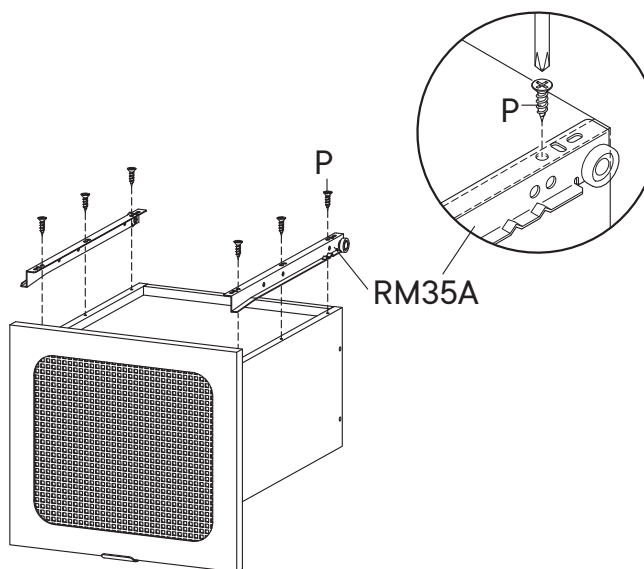
- 12** Back Drawer x1



## Step 4

### HARDWARE

- P** Screw M 3.5 x 13 mm x6
- S** Wedge x4
- T** Screw M 3.5 x 15 mm x4
- RM35A** Drawer Runner x1



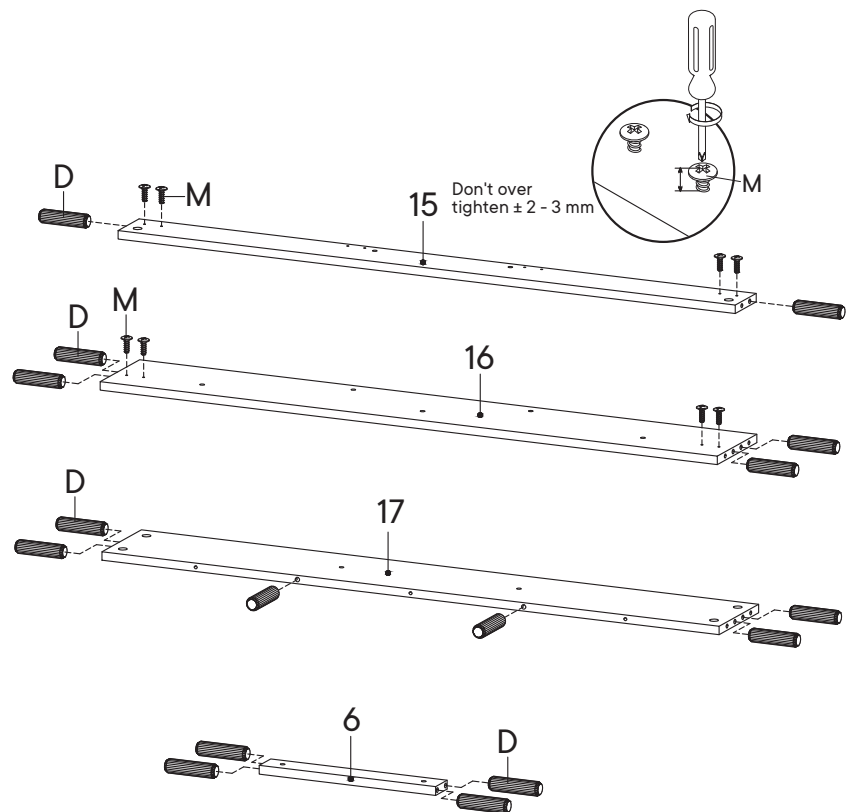
# Step 5

## HARDWARE

- D** Wood Dowel Ø8 x 30 mm x16
- M** Screw M 4.5 x 12.5 mm x8

## COMPONENTS

- 6** Support Board 1 x1
- 15** Support Board 3 x1
- 16** Back Board 1 x1
- 17** Back Board 2 x1



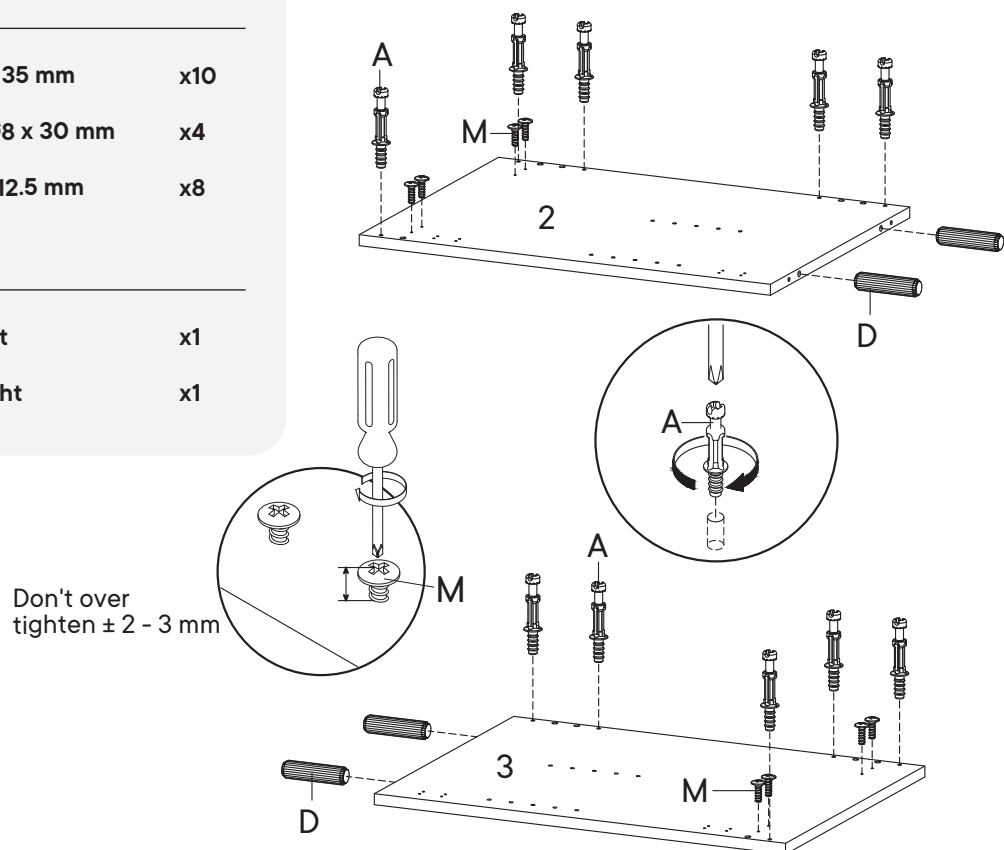
# Step 6

## HARDWARE

- A** Cam Bolt Ø6 x 35 mm x10
- D** Wood Dowel Ø8 x 30 mm x4
- M** Screw M 4.5 x 12.5 mm x8

## COMPONENTS

- 2** Side Board Left x1
- 3** Side Board Right x1



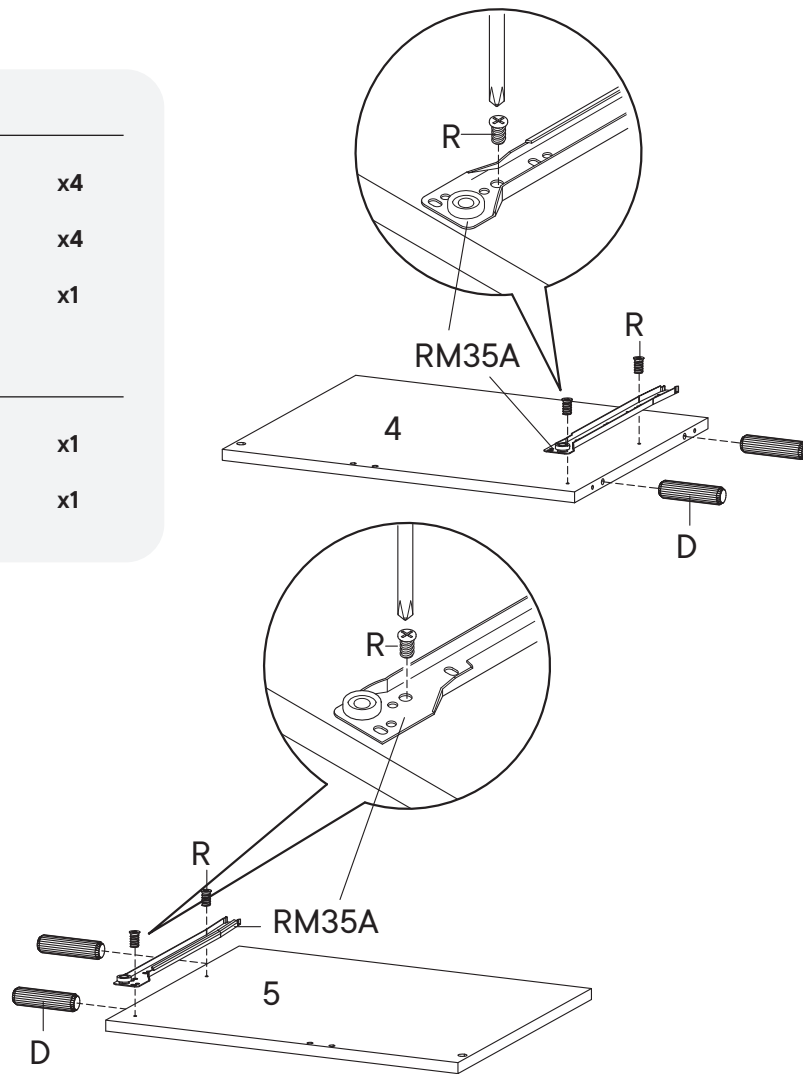
# Step 7

## HARDWARE

- D** Wood Dowel Ø8 x 30 mm x4
- R** Screw M 6 x 10.5 mm x4
- RM35A** Drawer Runner x1

## COMPONENTS

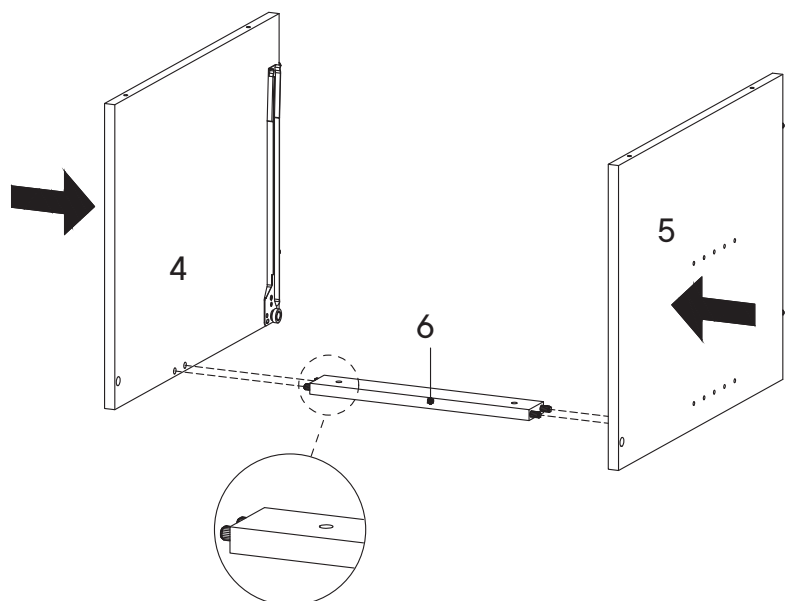
- 4** Center Board Left x1
- 5** Center Board Right x1



# Step 8

## COMPONENTS

- 4** Center Board Left x1
- 5** Center Board Right x1
- 6** Support Board 1 x1



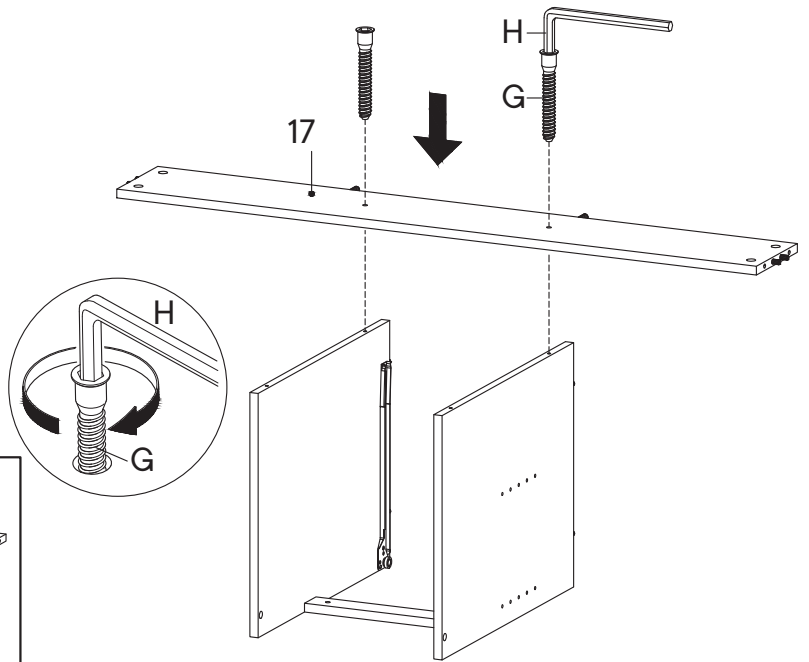
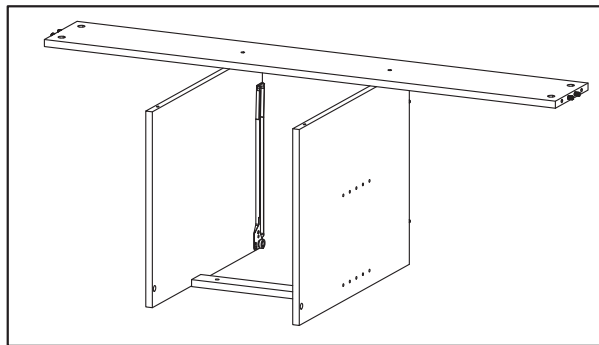
# Step 9

## HARDWARE

- G** Screw M 7 x 50 mm x2
- H** Allen Key x1

## COMPONENTS

- 17** Back Board 2 x1



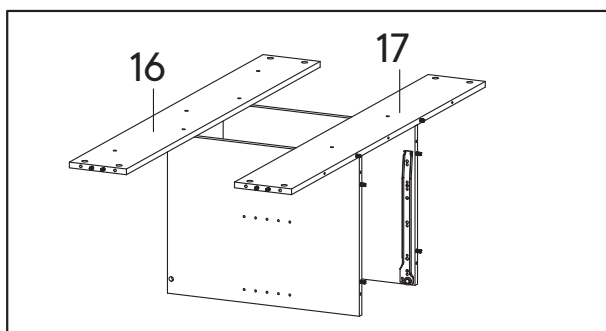
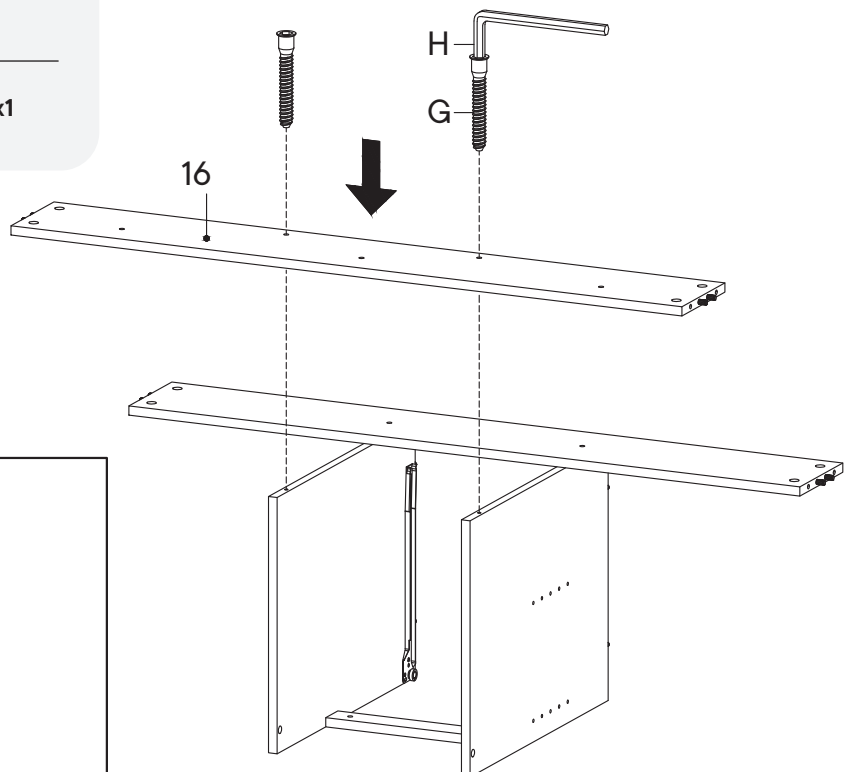
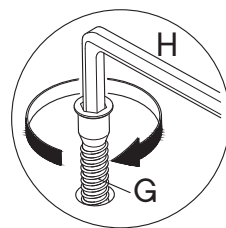
# Step 10

## HARDWARE

- G** Screw M 7 x 50 mm x2
- H** Allen Key x1

## COMPONENTS

- 16** Back Board 1 x1



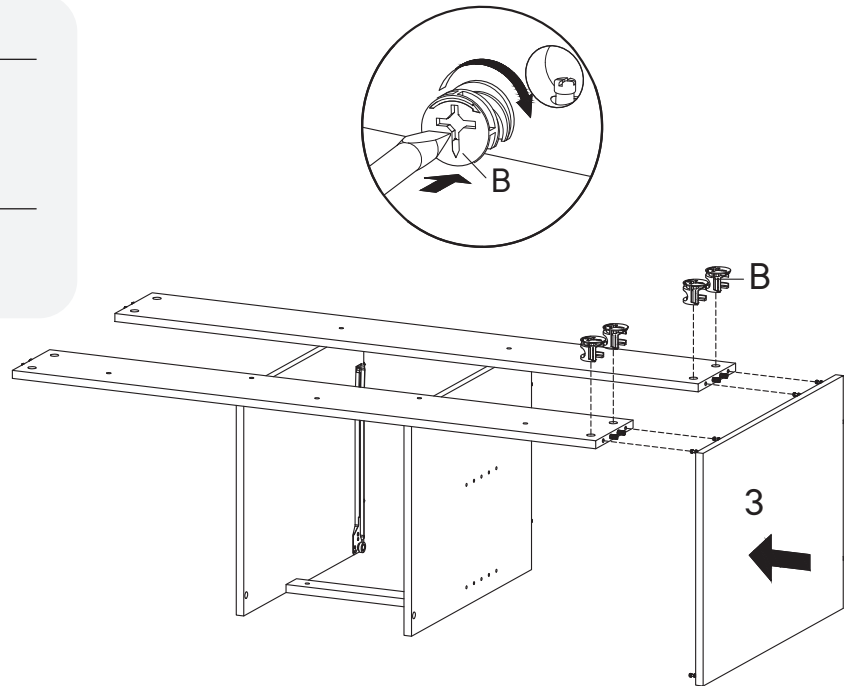
# Step 11

## HARDWARE

**B** Cam Lock Ø15 mm x4

## COMPONENTS

**3** Side Board Right x1



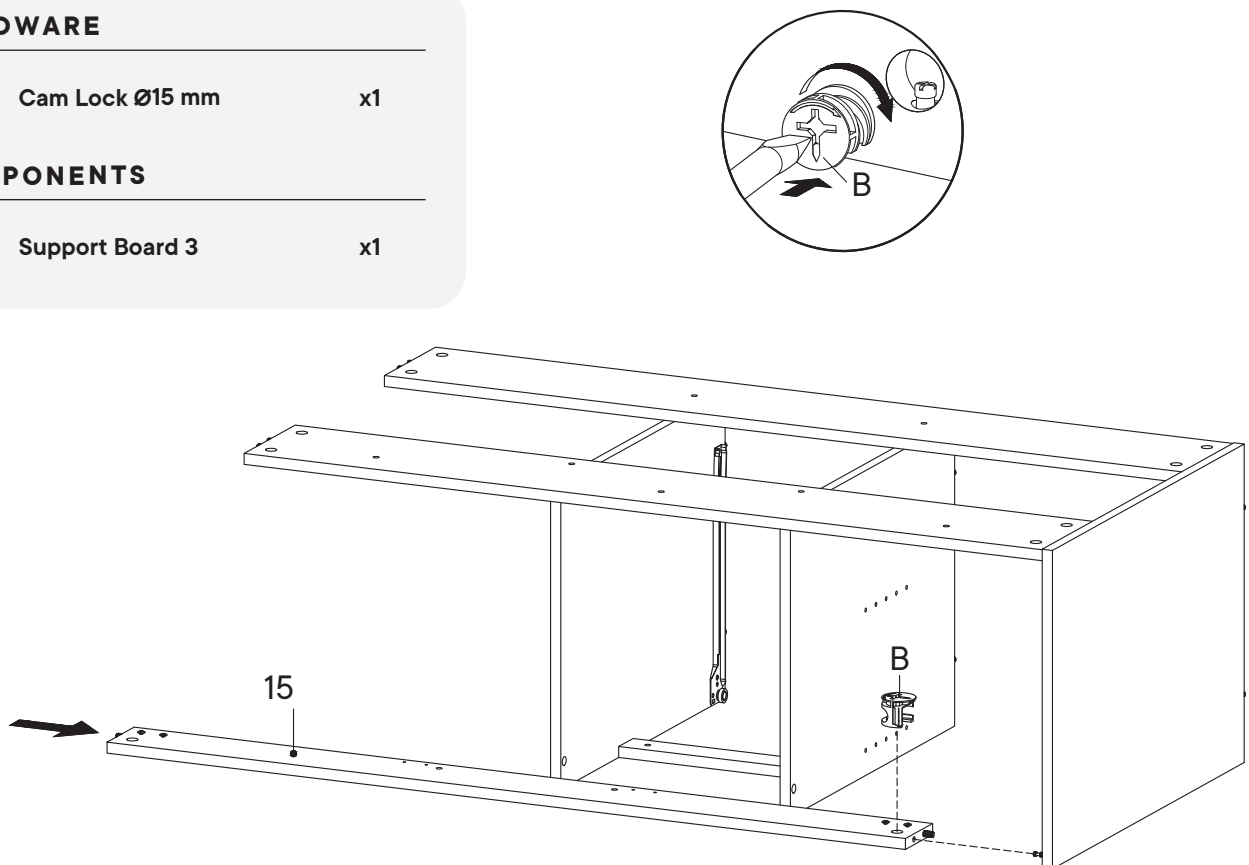
# Step 12

## HARDWARE

**B** Cam Lock Ø15 mm x1

## COMPONENTS

**15** Support Board 3 x1





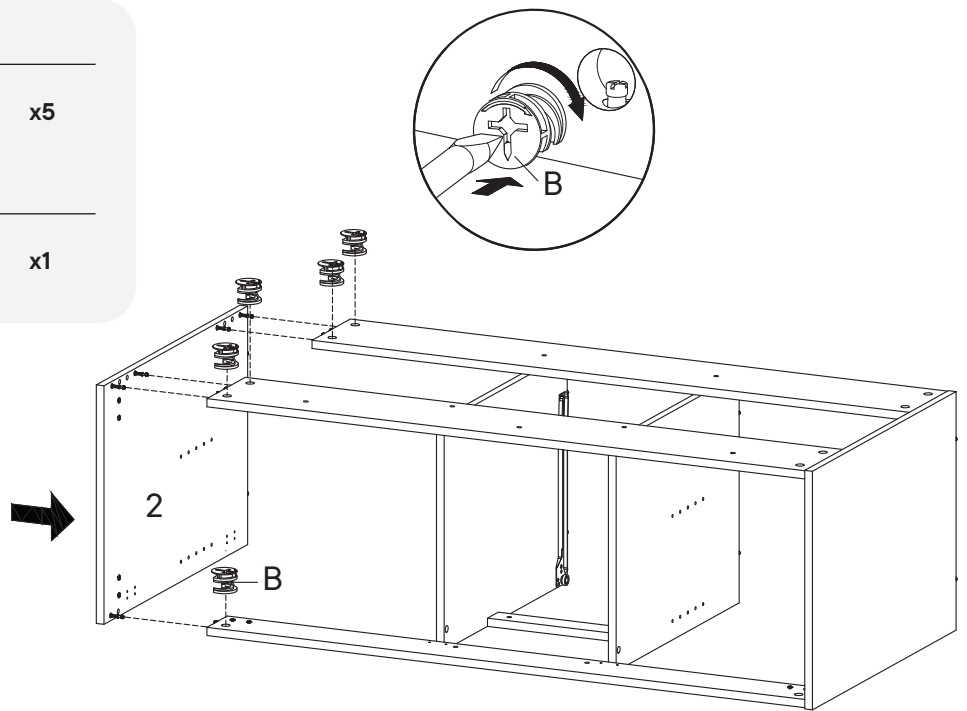
# Step 13

## HARDWARE

**B** Cam Lock Ø15 mm x5

## COMPONENTS

**2** Side Board Left x1



# Step 14

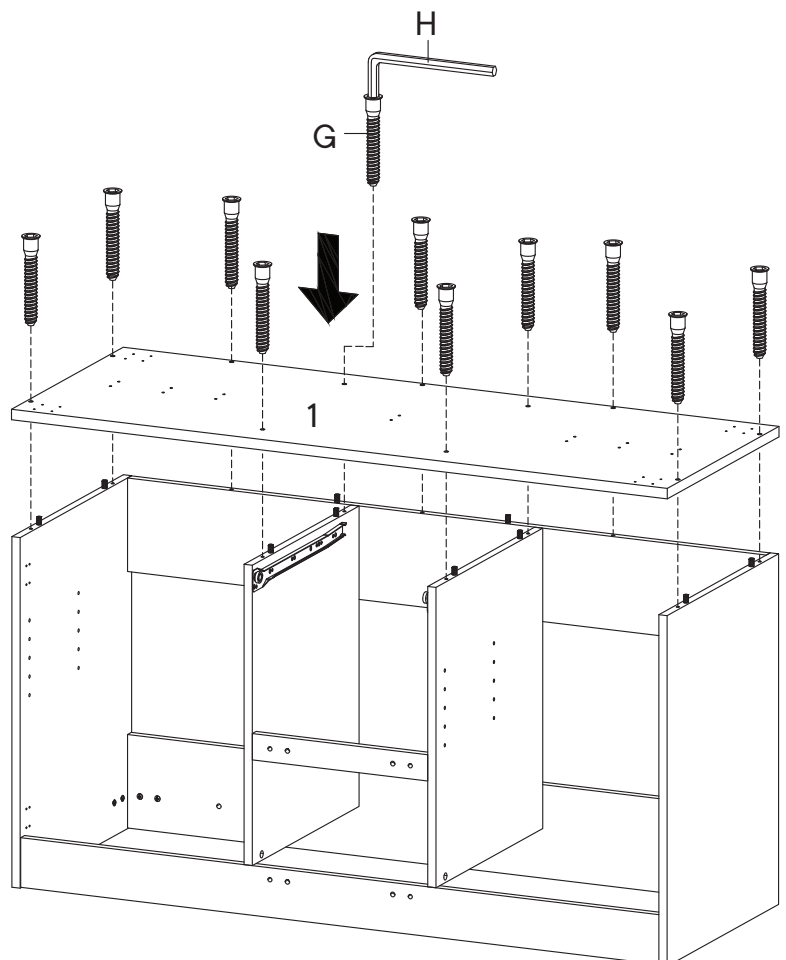
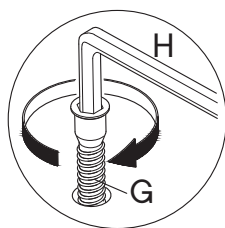
## HARDWARE

**G** Screw M 7 x 50 mm x11

**H** Allen Key x1

## COMPONENTS

**1** Bottom Board x1

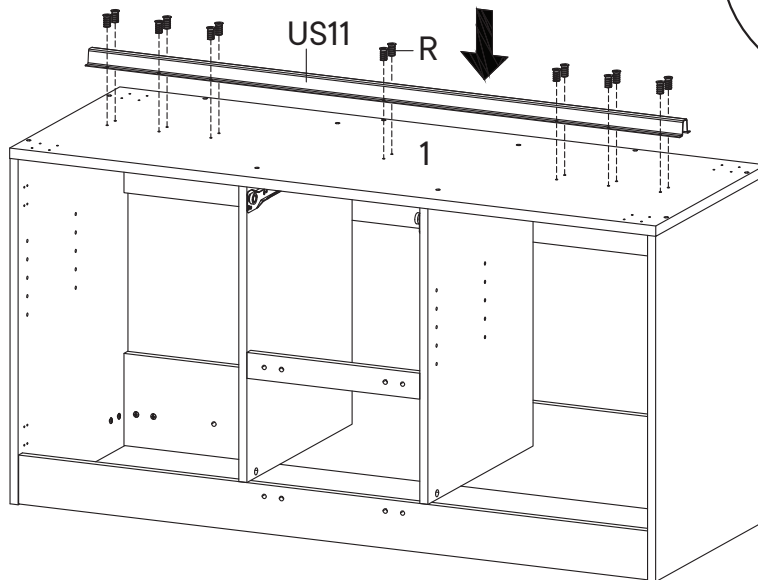


# Step 15

## HARDWARE

**R** Screw M 6 x 10.5 mm x14

**US11** Anti Deflection Bar x1

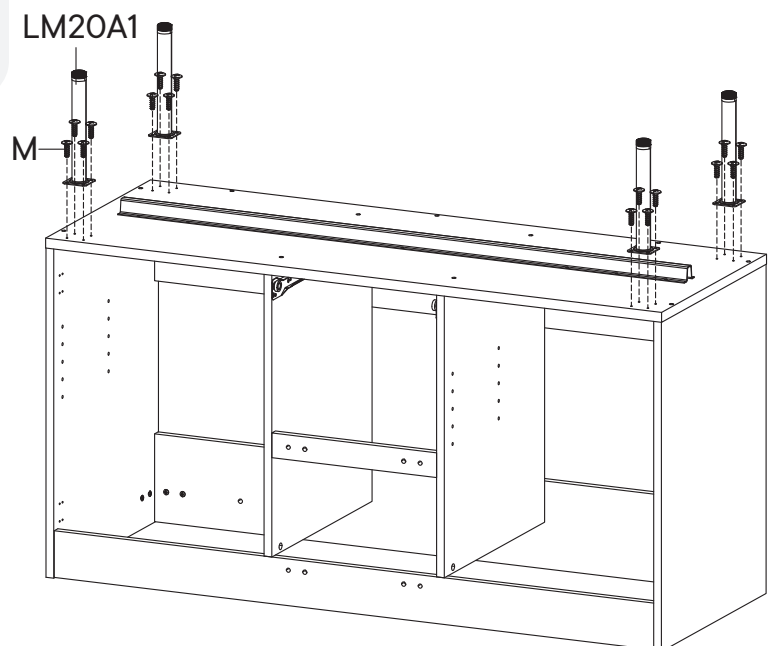


# Step 16

## HARDWARE

**M** Screw M 4.5 x 12.5 mm x16

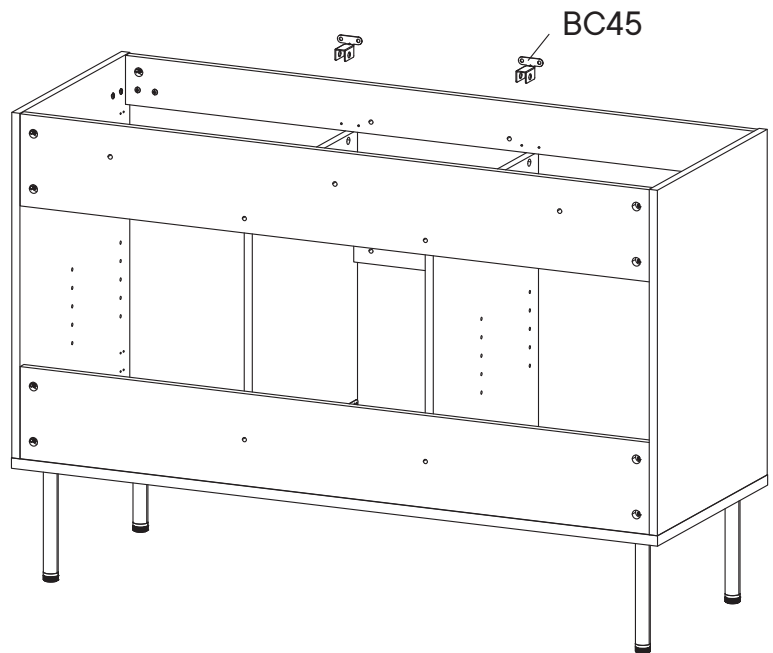
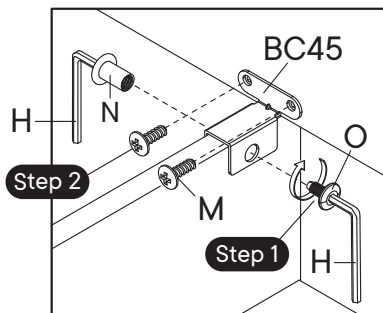
**LM20A1** Leg x4



# Step 17

## HARDWARE

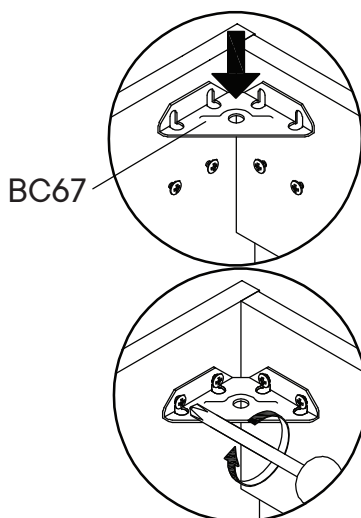
- H** Allen Key x2
- N** JCN Nut x2
- O** Screw M 6 x 15 mm x2
- M** Screw M 4.5 x 12.5 mm x4
- BC45** Bracket x2



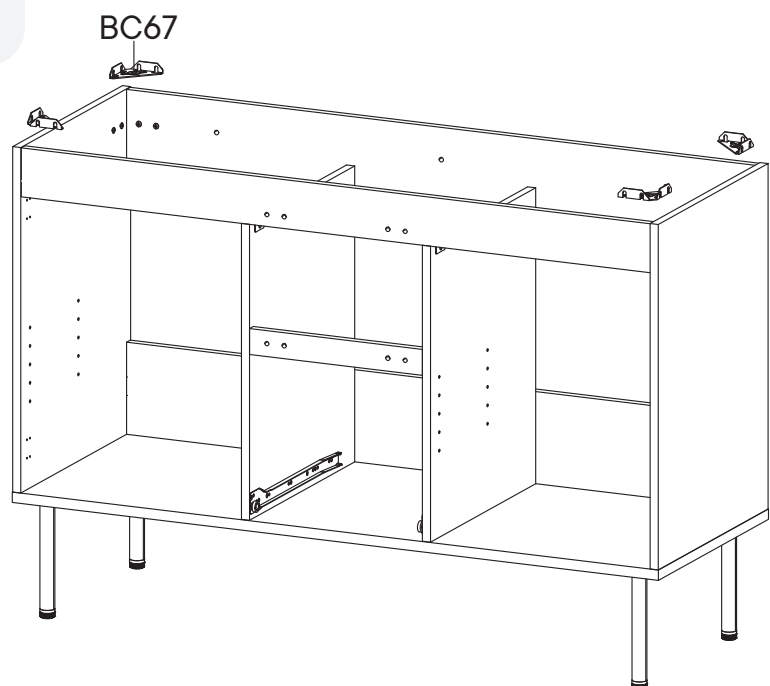
# Step 18

## HARDWARE

- BC67** Bracket x4



NOTE:  
Tighten all the screw



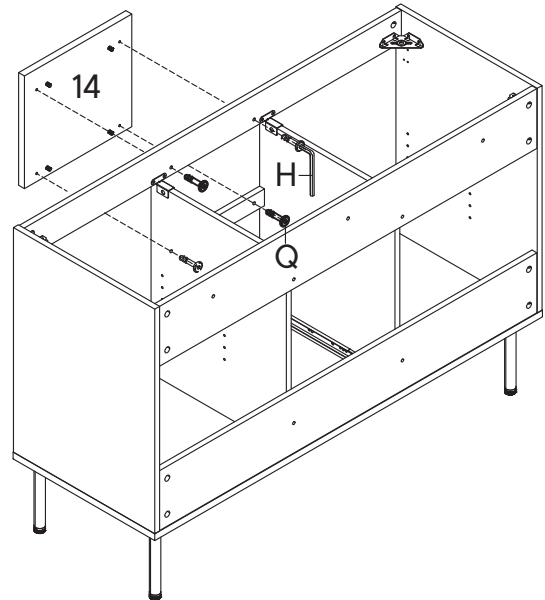
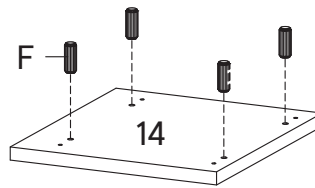
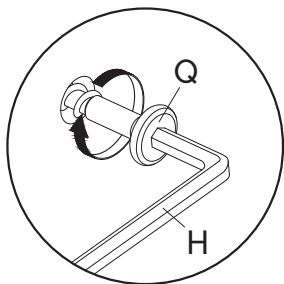
## Step 19

### HARDWARE

- F** Wood Dowel Ø8 x 20 mm x4
- H** Allen Key x1
- Q** Screw M 6.4 x 25 mm x4

### COMPONENTS

- 14** Fake Front Drawer x1



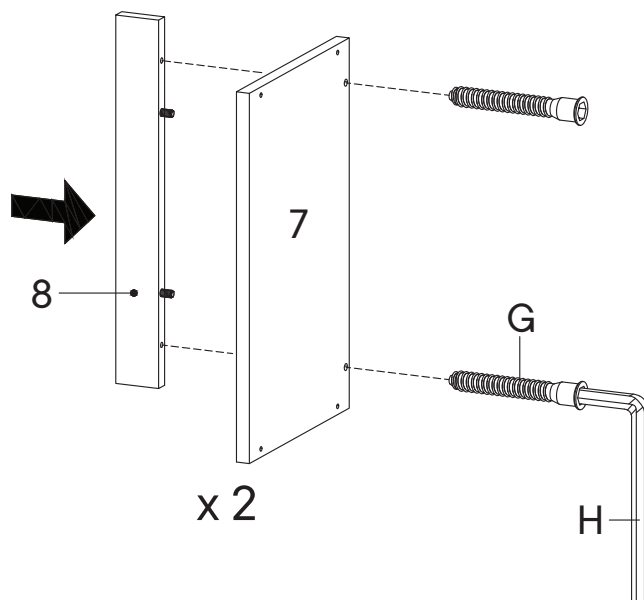
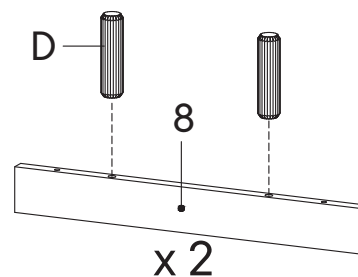
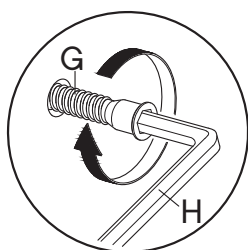
## Step 20

### HARDWARE

- D** Wood Dowel Ø8 x 30 mm x4
- G** Screw M 7 x 50 mm x4
- H** Allen Key x1

### COMPONENTS

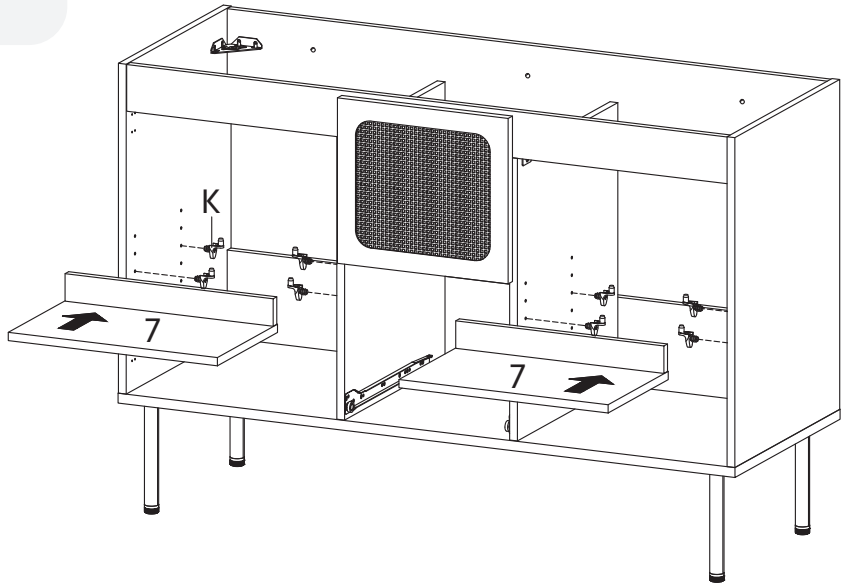
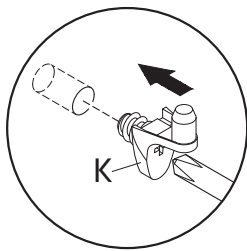
- 7** Adjustable Shelf x2
- 8** Support Board 2 x2



# Step 21

## HARDWARE

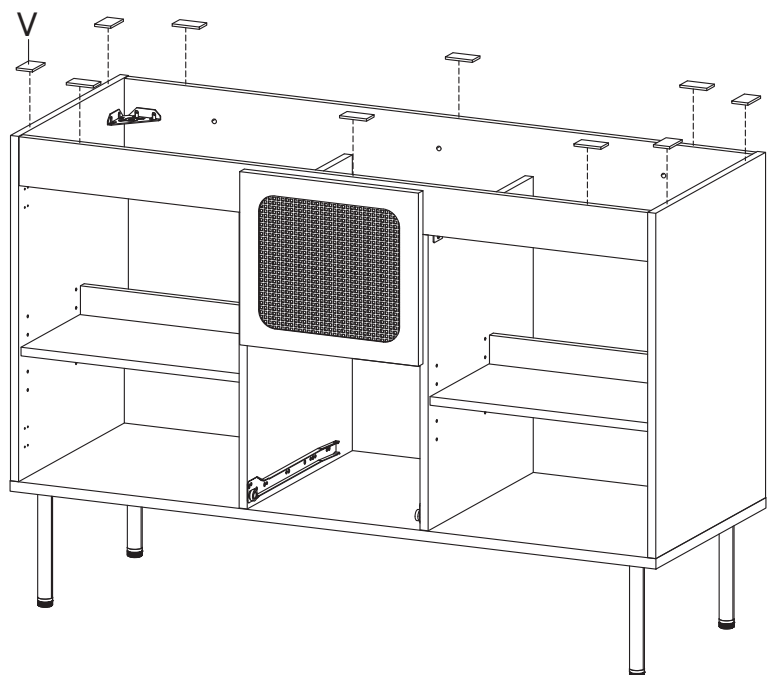
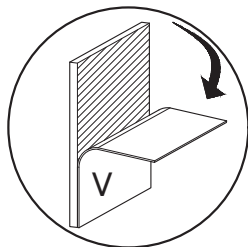
**K** Shelf Support x8



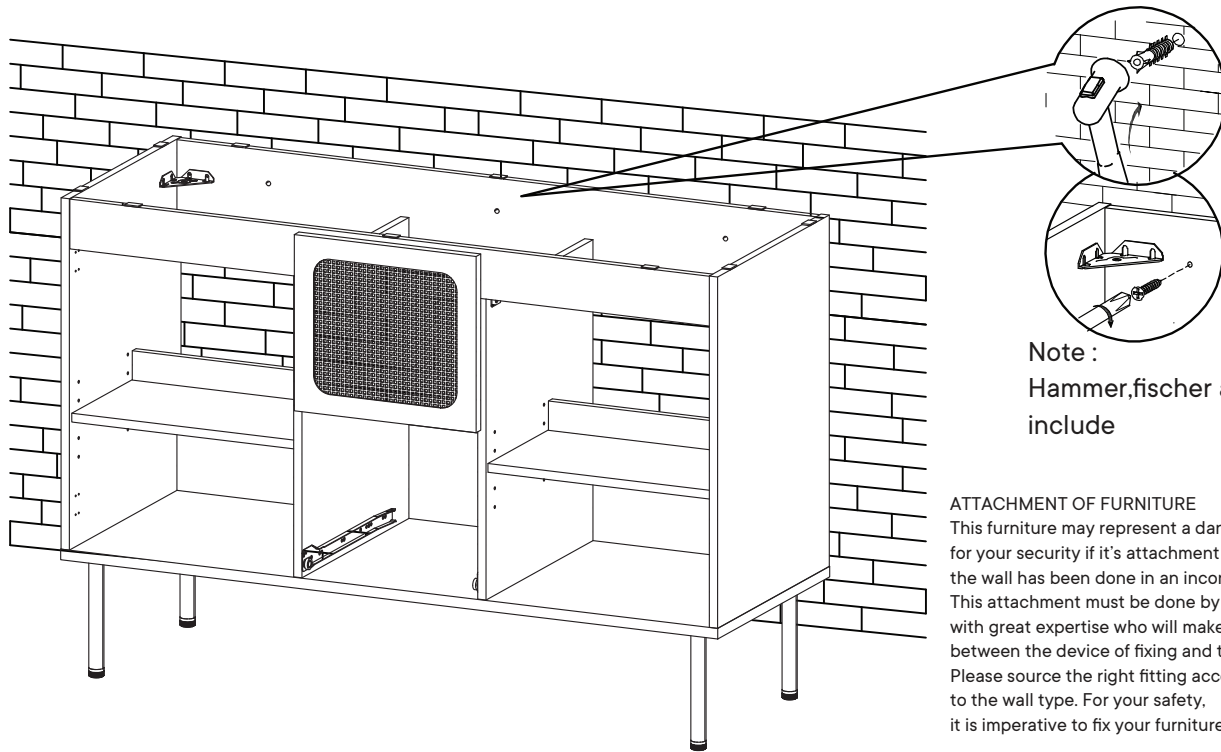
# Step 22

## HARDWARE

**V** Foam/Rubber Pad x10



## Step 23

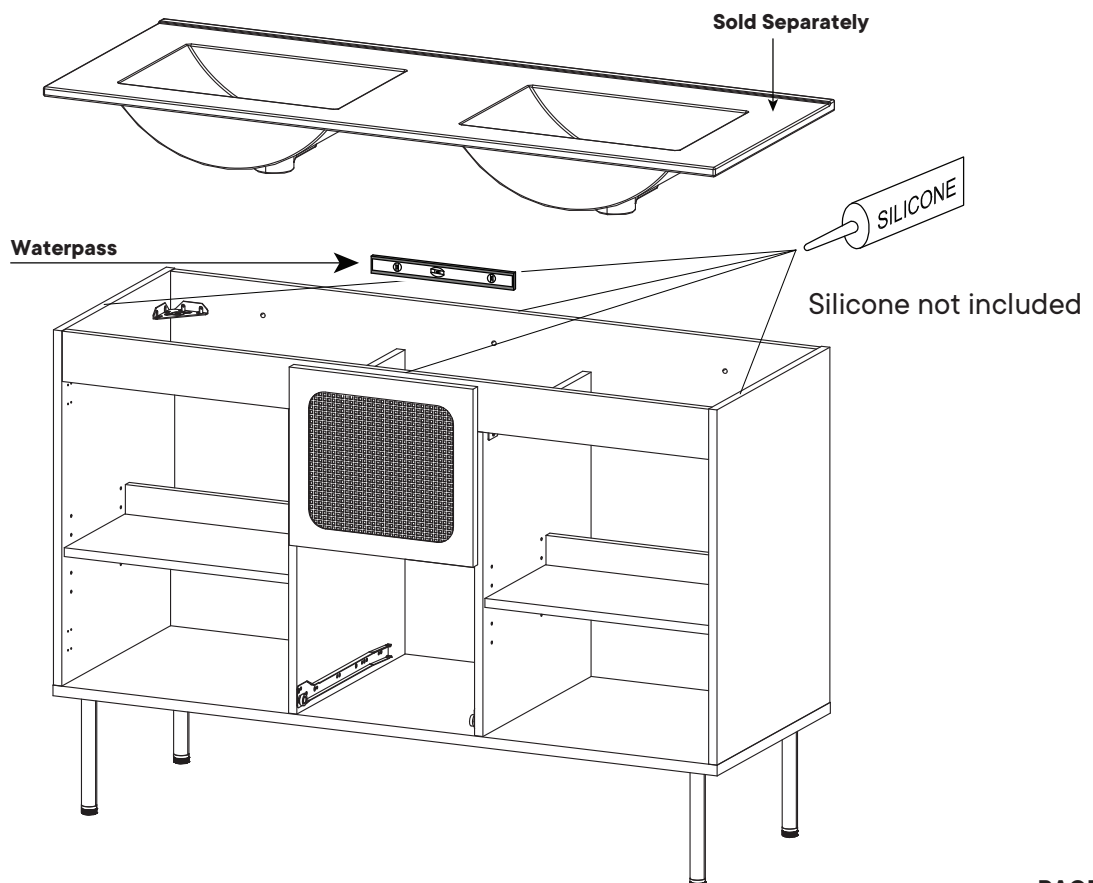


Note :  
Hammer, fischer and screw not include

**ATTACHMENT OF FURNITURE**  
This furniture may represent a danger for your security if its attachment on the wall has been done in an incorrect way. This attachment must be done by a person with great expertise who will make sure adequacy between the device of fixing and the wall. Please source the right fitting according to the wall type. For your safety, it is imperative to fix your furniture to the wall

## Step 24

Apply a thin bead of silicone compound around the vanity base and set the vanity top carefully in place. Remove any excess silicone compound with a wet rag



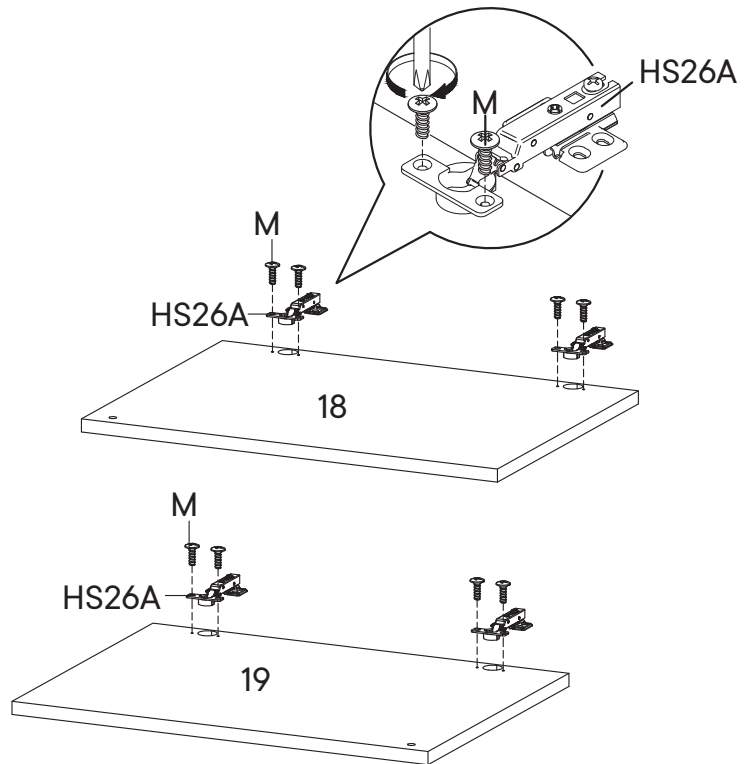
# Step 25

## HARDWARE

- M** Screw M 4.5 x 12.5 mm x8
- HS26A** Hinge x4

## COMPONENTS

- 18** Door Left x1
- 19** Door Right x1



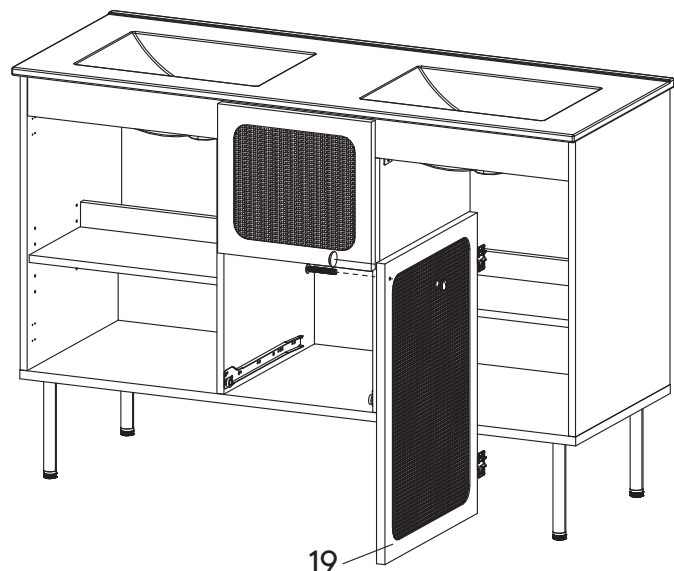
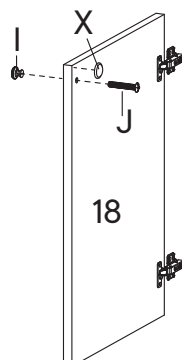
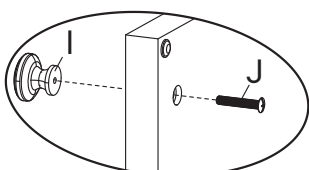
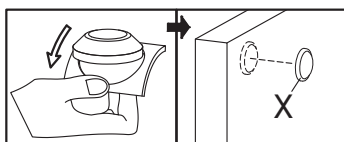
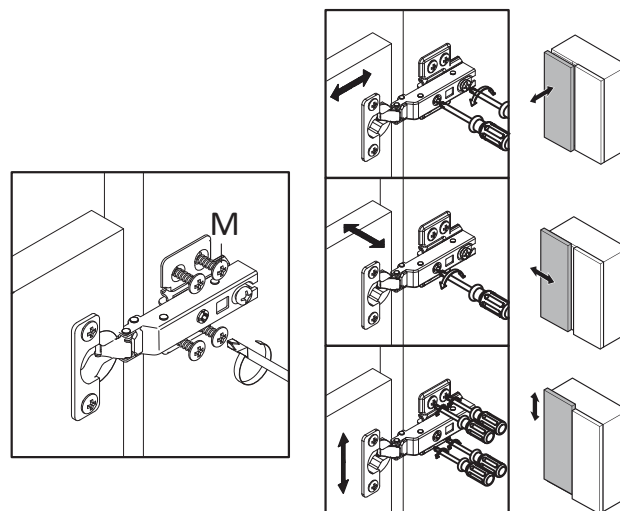
# Step 26

## HARDWARE

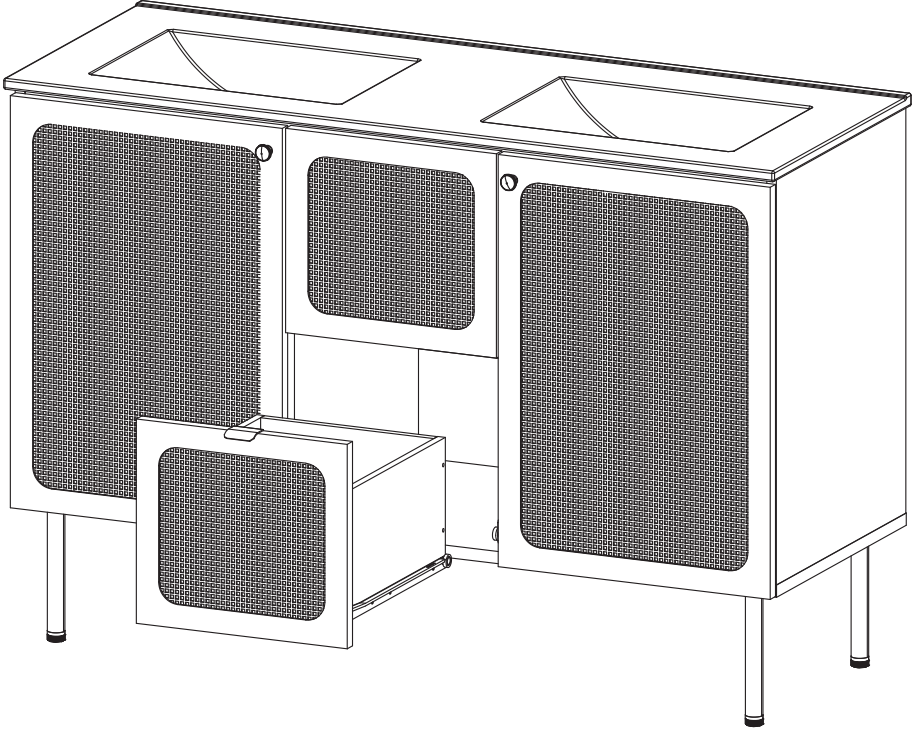
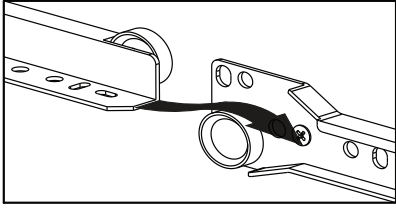
- I** Door Knob x2
- J** Screw M 4 x 22 mm x2
- M** Screw M 4.5 x 12.5 mm x16
- X** Silicon Bumper x2

## COMPONENTS

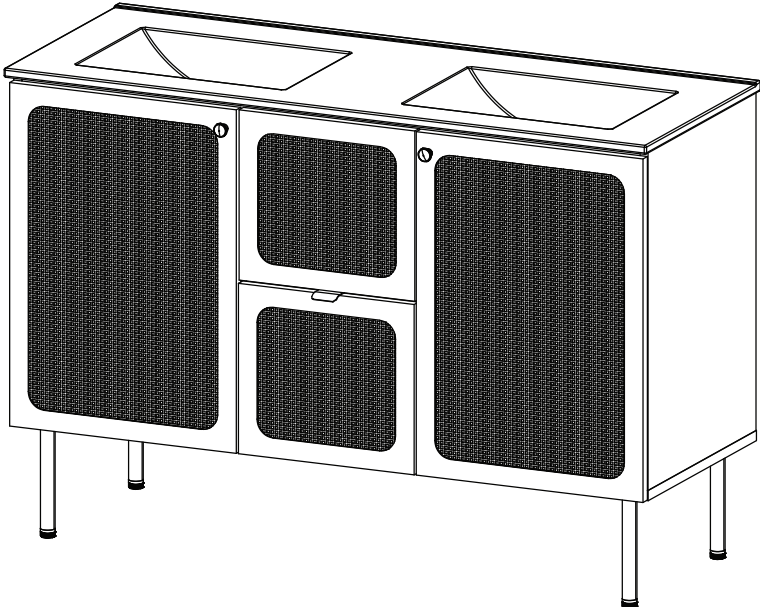
- 18** Door Left x1
- 19** Door Right x1



Step 27



Step 28

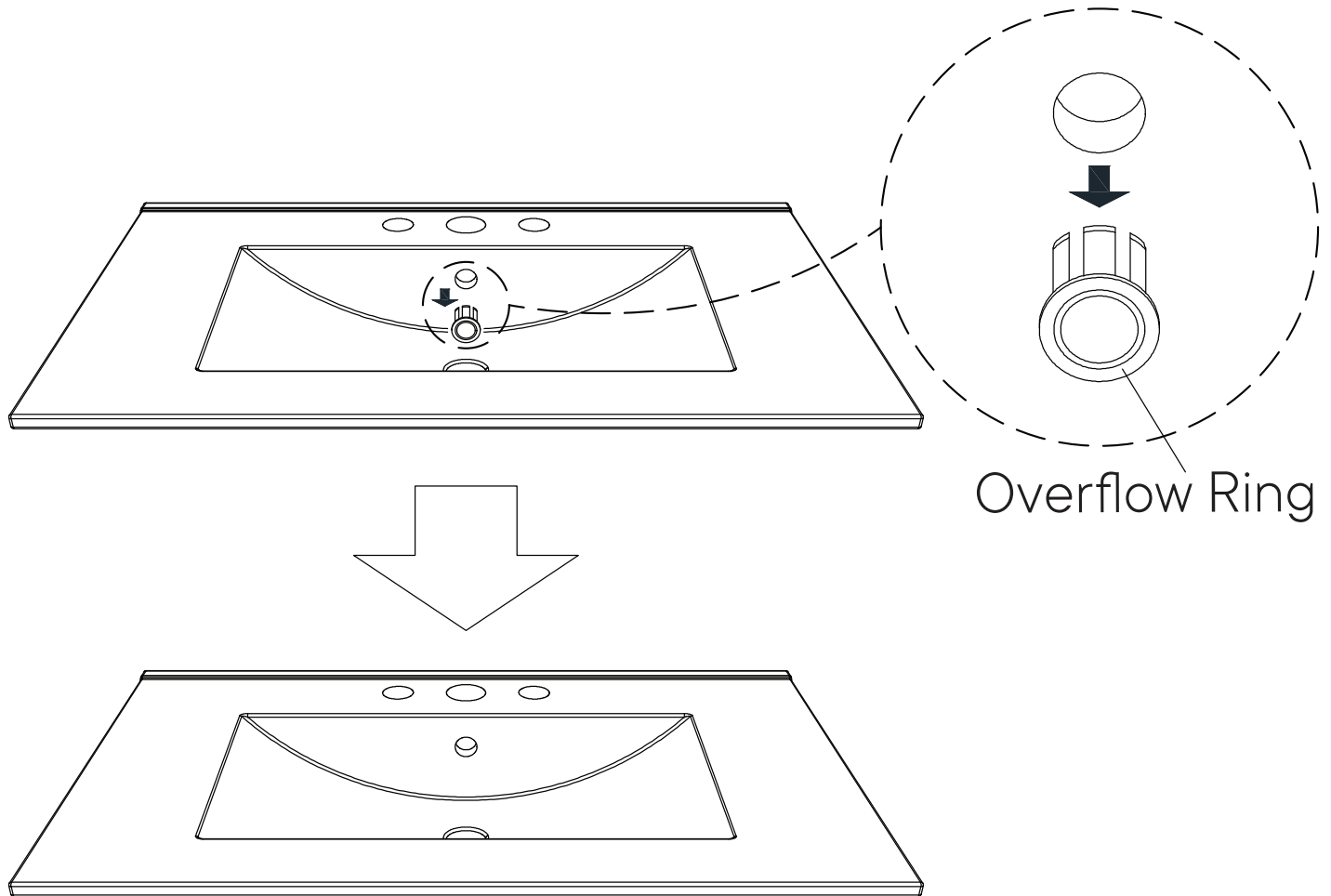




# A quick note...

\*modway

Your sink basin comes complete with a silver overflow ring.  
If you'd like to remove this overflow ring, you can do so by hand.



**Missing parts or hardware? Need assistance?**

Contact us before returning your item. We're here to help!

609.256.9000 • [cs@modway.com](mailto:cs@modway.com)

# Great job!

Cabinet assembly is complete.

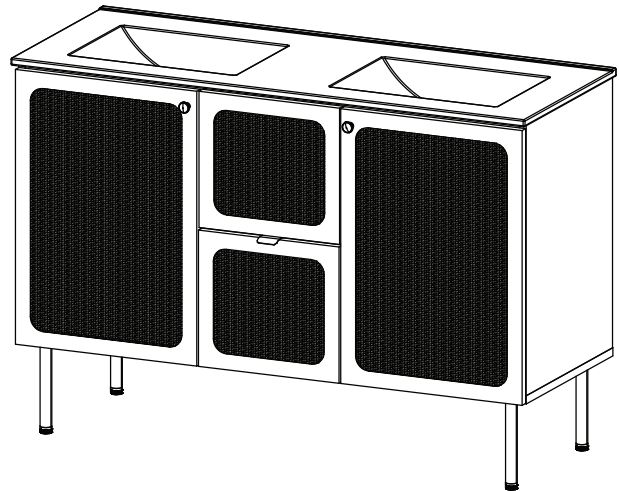
## ♥ CARING FOR YOUR ITEM

Indoor use only.

Not contract grade.

Clean using a non-abrasive cloth and a mild cleaner.

Never use harsh chemicals, as they could damage the finish or integrity of the item.



CONNECT WITH US!   

Tag us [@modway\\_furniture](#) and [#modway](#) for a chance to be featured.