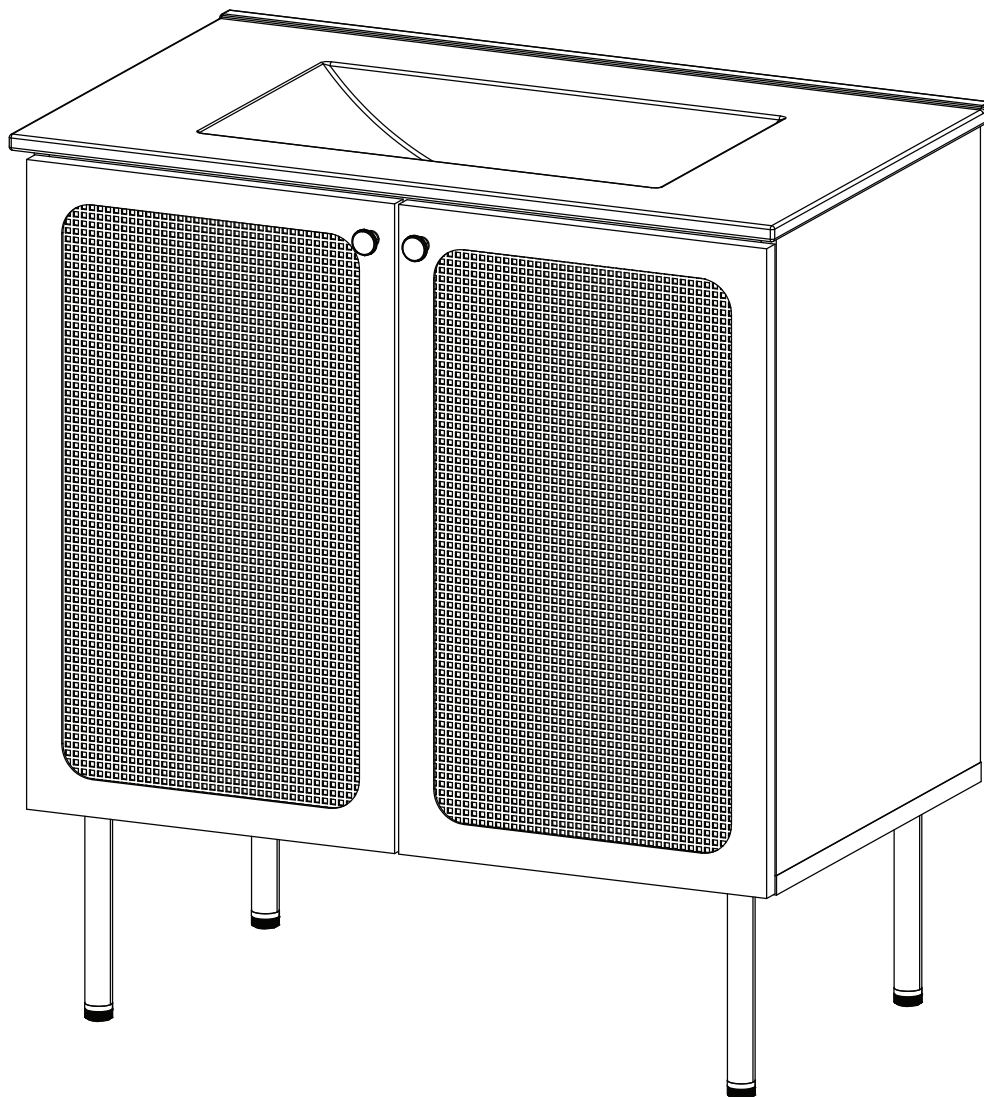


ASSEMBLY INSTRUCTIONS

EEI-6602

V0.02.08.23



Questions? Contact us!

609.256.9000 • cs@modway.com
www.modway.com

***modway**



Read through all of the instructions before starting



Care instructions are listed in the last step of this manual



Approx. 60 minutes assembly time



Make sure you have all parts and components before discarding any packing materials



2 people recommended for assembly

Only use hand tools to assemble this item. Do not use power tools. Do not tighten bolts or screws completely until all hardware is lined up and inserted into the holes.

Do not over-tighten screws and bolts to avoid stripping the hardware or cracking the item.

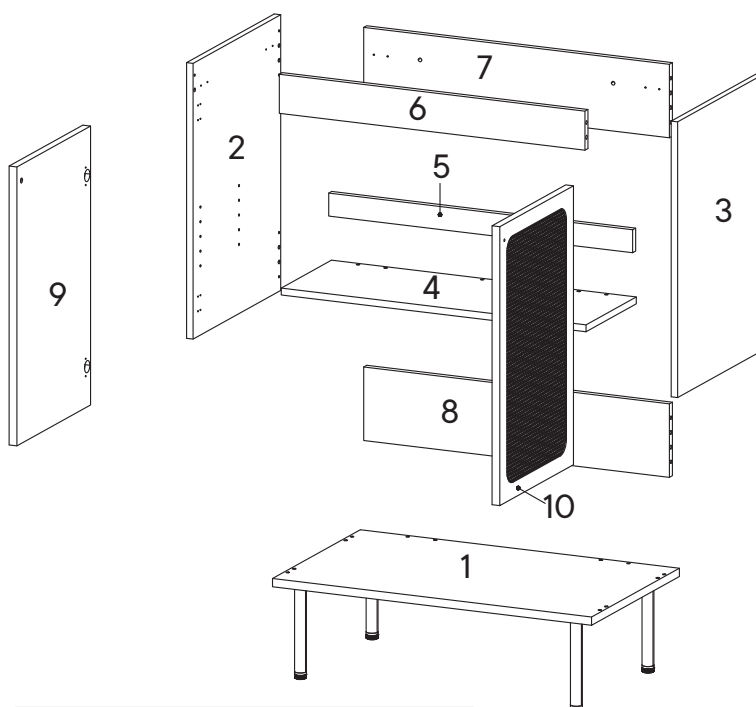
For vanity and plumbing installation, we suggest hiring a professional contractor and plumber.

Assemble your item on a flat, carpeted area, with plenty of space to work. This will prevent damage and scratches to your floors or the item while you're assembling the product.

Keep all components and packaging out of reach of children or animals to avoid risk of choking or suffocation.

Furniture components:

1	Bottom Board	x1
2	Side Board Left	x1
3	Side Board Right	x1
4	Adjustable Shelf	x1
5	Support Board	x1
6	Front Skirt	x1
7	Back Board 1	x1
8	Back Board 2	x1
9	Door Left	x1
10	Door Right	x1



Provided hardware:

A		Cam Bolt $\varnothing 6 \times 35$ mm	x10
B		Cam Lock $\varnothing 15$ mm	x10
C		Wood Dowel $\varnothing 8 \times 30$ mm	x18
D		Allen Key	x2
E		Screw M 7 x 50 mm	x9
F		Shelf Support	x4
G		Door Knob	x2
H		Screw M 4 x 22 mm	x2
I		Foam/Rubber Pad	x8
J		Screw M 4.5 x 12.5 mm	x56

K		Silicon Bumper	x2
BC67		Bracket	x4
LM20A1		Leg	x4
HS26A		Hinge	x4

What you need:

Phillips Head Screwdriver

You may also need:

- + Power Drill
- + Level
- + Silicone Adhesive or Caulk
- + Drywall Anchors and Screws
- + Other Wall-Mounting Hardware

Wait!

Missing parts or hardware? Need assistance?
Contact us before returning your item. We're here to help!
609.256.9000 • cs@modway.com

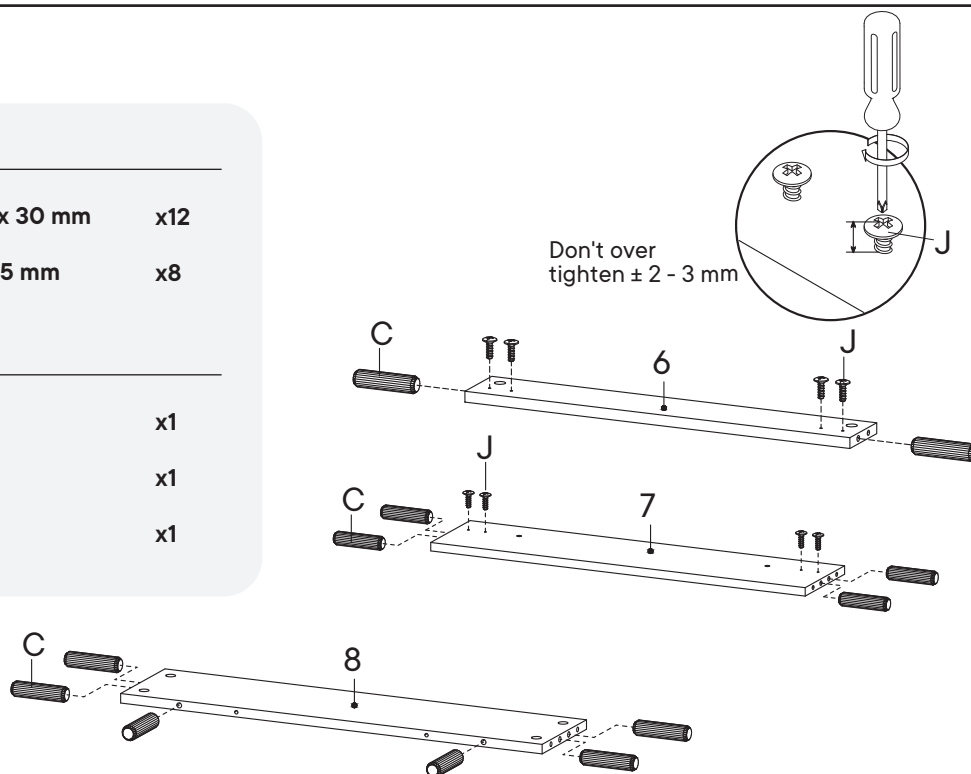
Step 1

HARDWARE

- C** Wood Dowel Ø8 x 30 mm x12
- J** Screw M 4.5 x 12.5 mm x8

COMPONENTS

- 6** Front Skirt x1
- 7** Back Board 1 x1
- 8** Back Board 2 x1



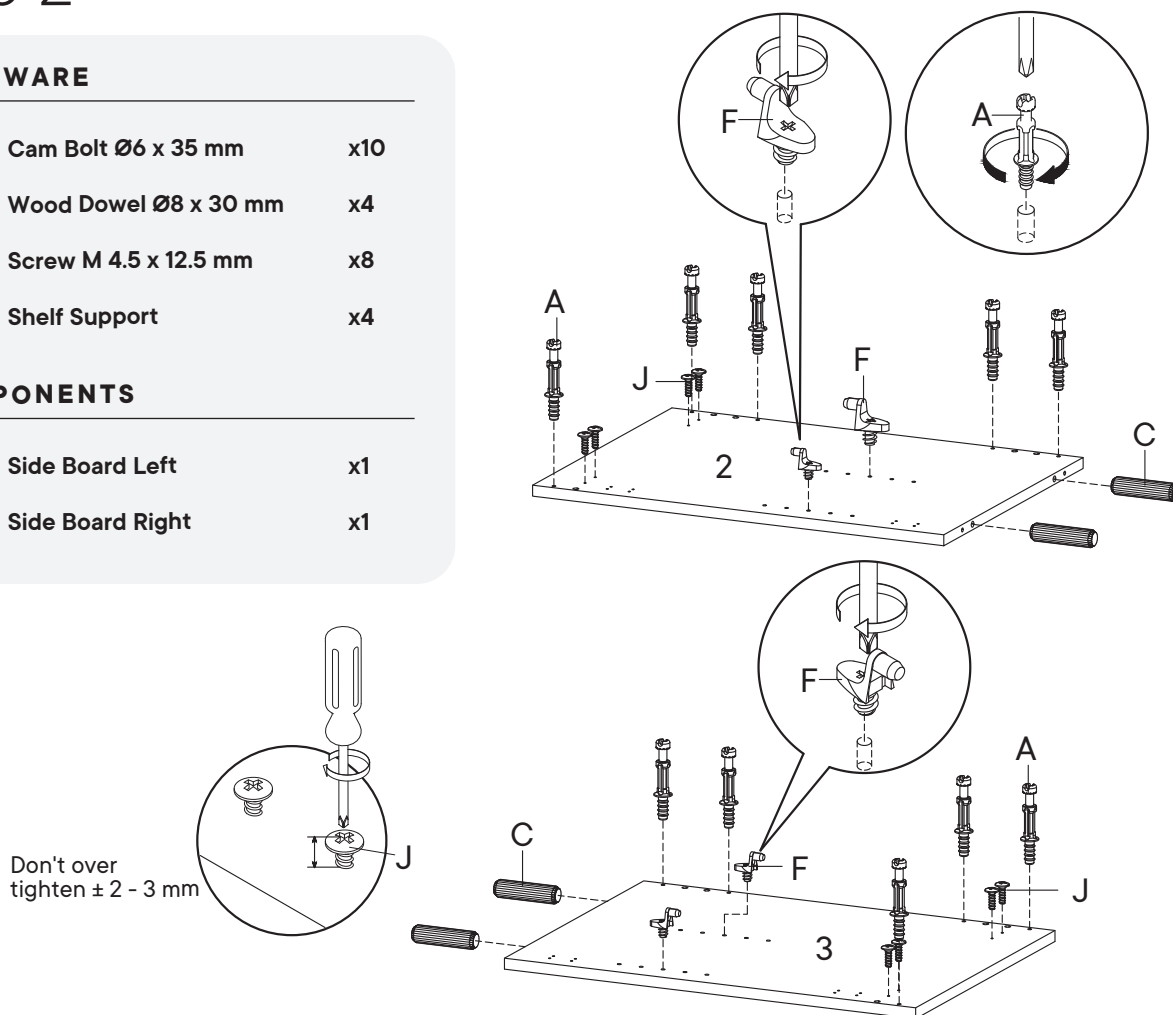
Step 2

HARDWARE

- A** Cam Bolt Ø6 x 35 mm x10
- C** Wood Dowel Ø8 x 30 mm x4
- J** Screw M 4.5 x 12.5 mm x8
- F** Shelf Support x4

COMPONENTS

- 2** Side Board Left x1
- 3** Side Board Right x1



Step 3

HARDWARE

B Cam Lock Ø15 mm x5

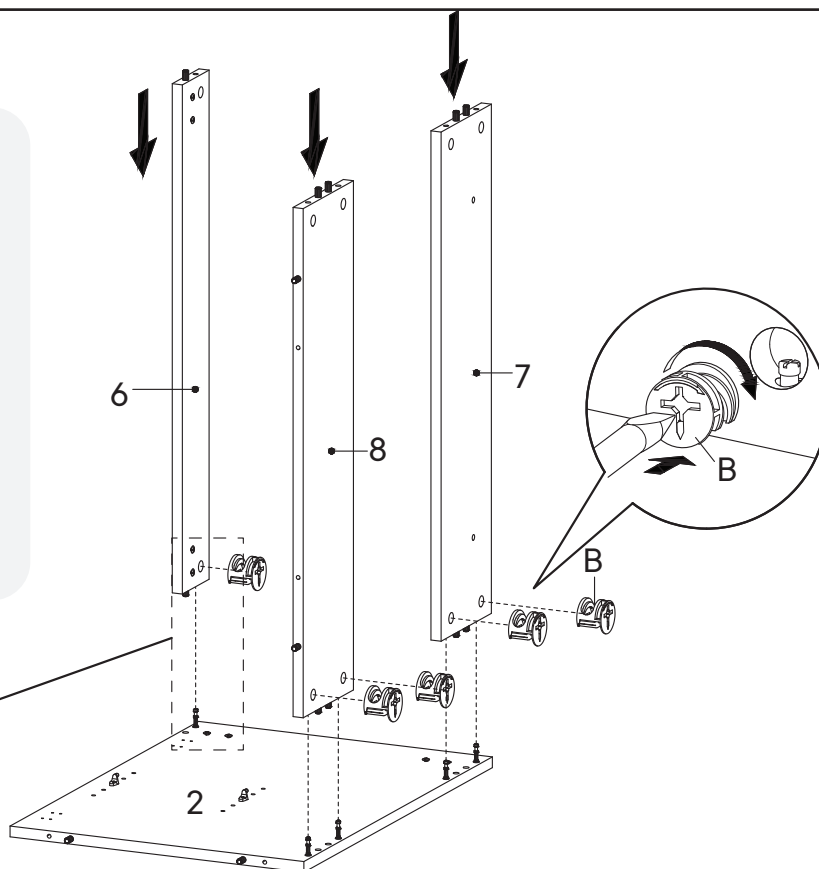
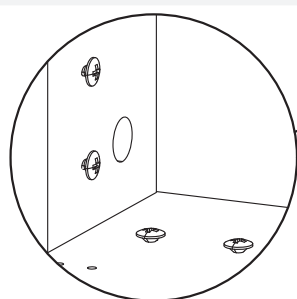
COMPONENTS

2 Side Board Left x1

6 Front Skirt x1

7 Back Board 1 x1

8 Back Board 2 x1



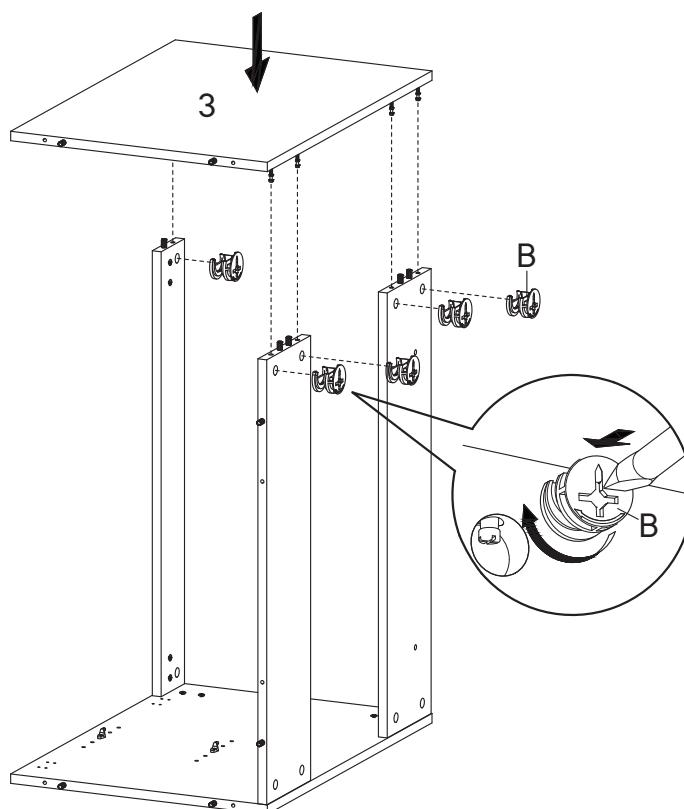
Step 4

HARDWARE

B Cam Lock Ø15 mm x5

COMPONENTS

3 Side Board Right x1



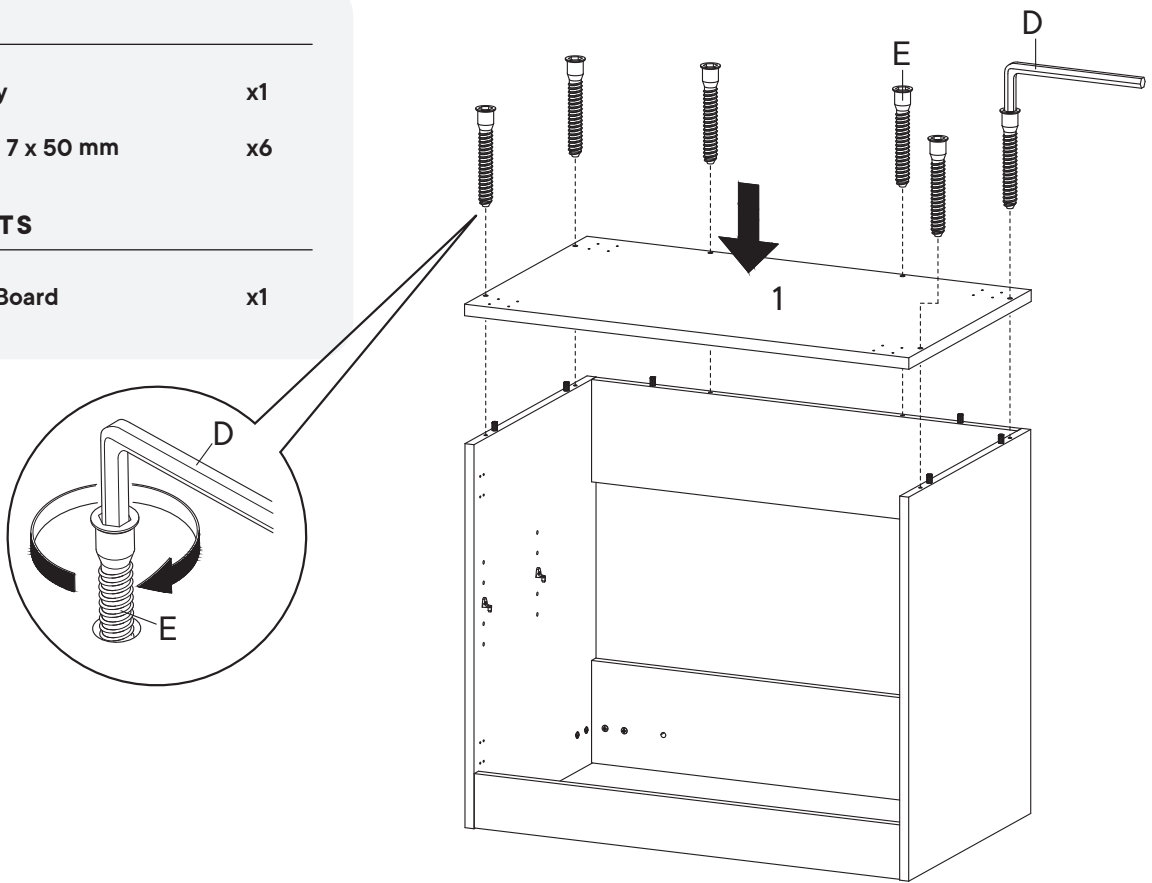
Step 5

HARDWARE

- D** Allen Key x1
- E** Screw M 7 x 50 mm x6

COMPONENTS

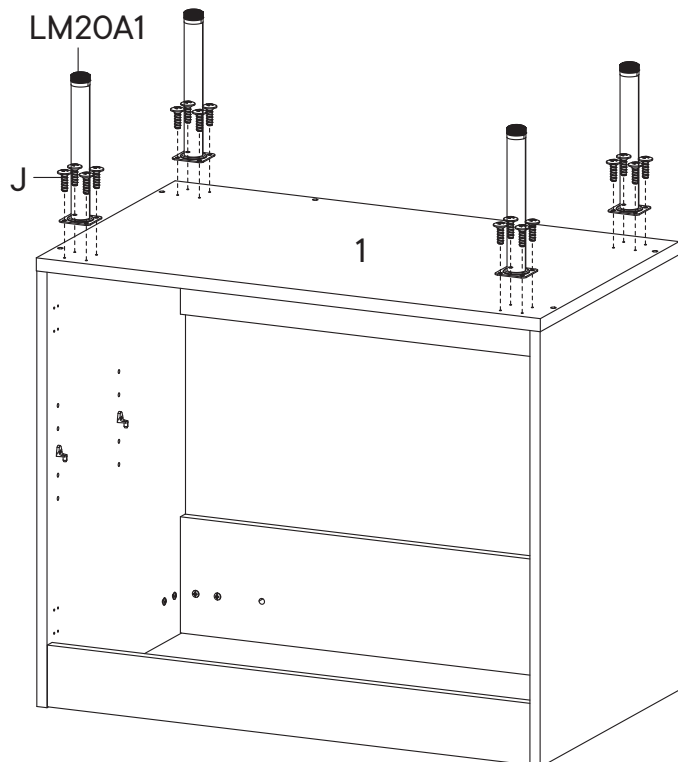
- 1** Bottom Board x1



Step 6

HARDWARE

- J** Screw M 4.5 x 12.5 mm x16
- LM20A1** Leg x4



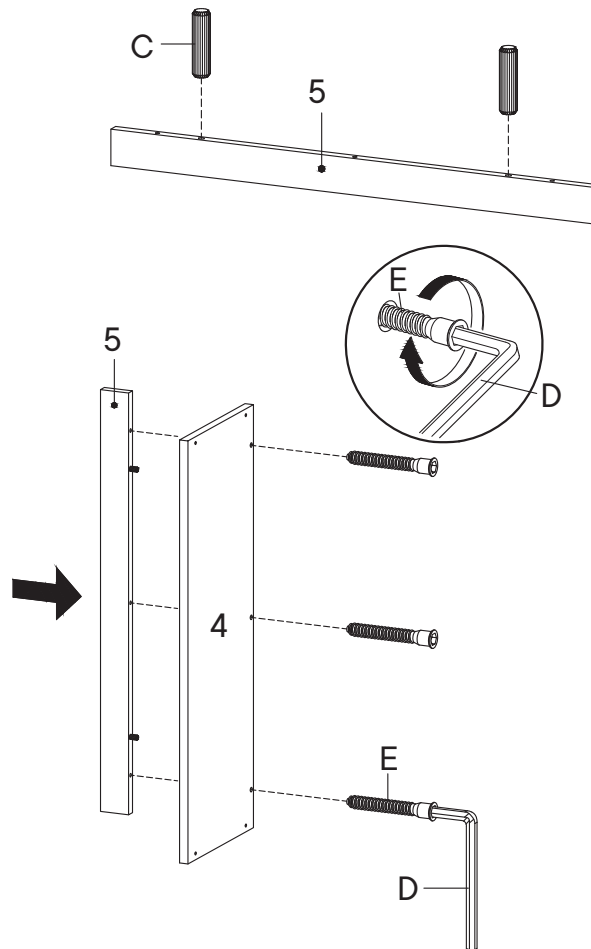
Step 7

HARDWARE

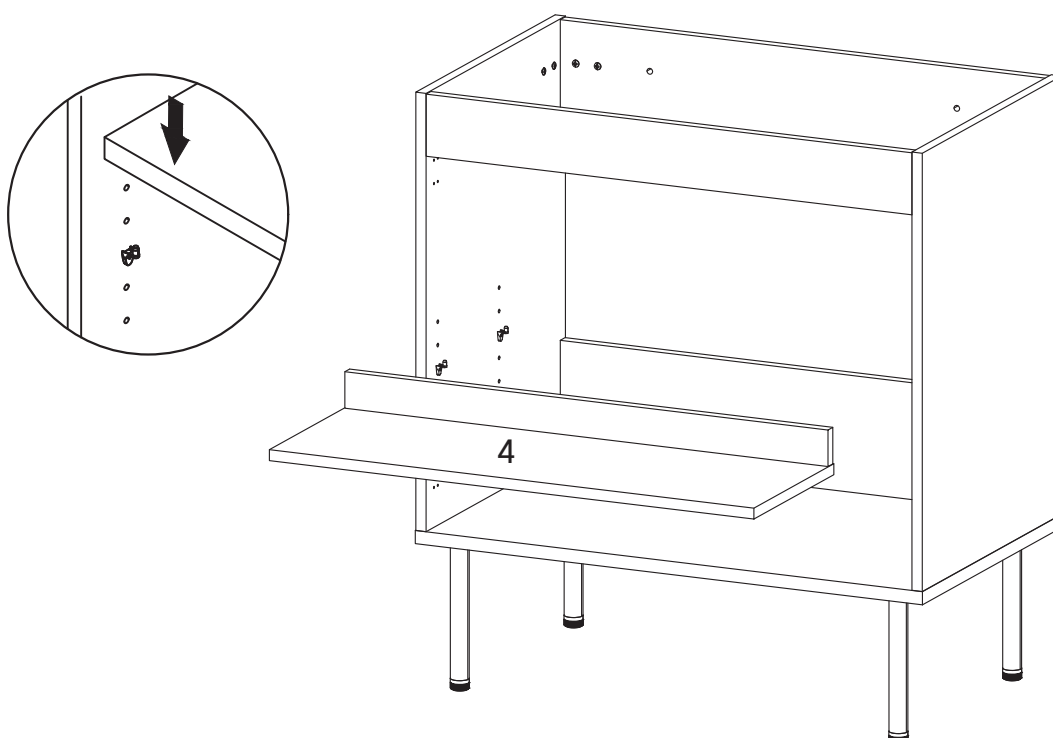
- C** Wood Dowel Ø8 x 30 mm x2
- D** Allen Key x1
- E** Screw M 7 x 50 mm x3

COMPONENTS

- 4** Adjustable Shelf x1
- 5** Support Board x1



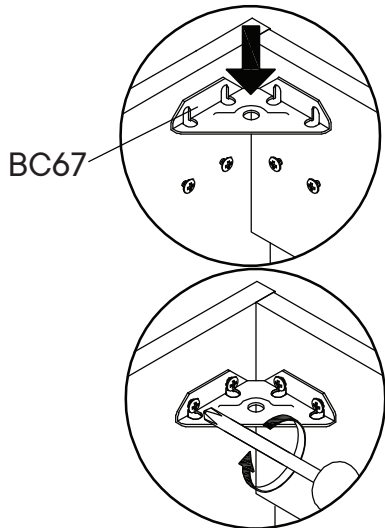
Step 8



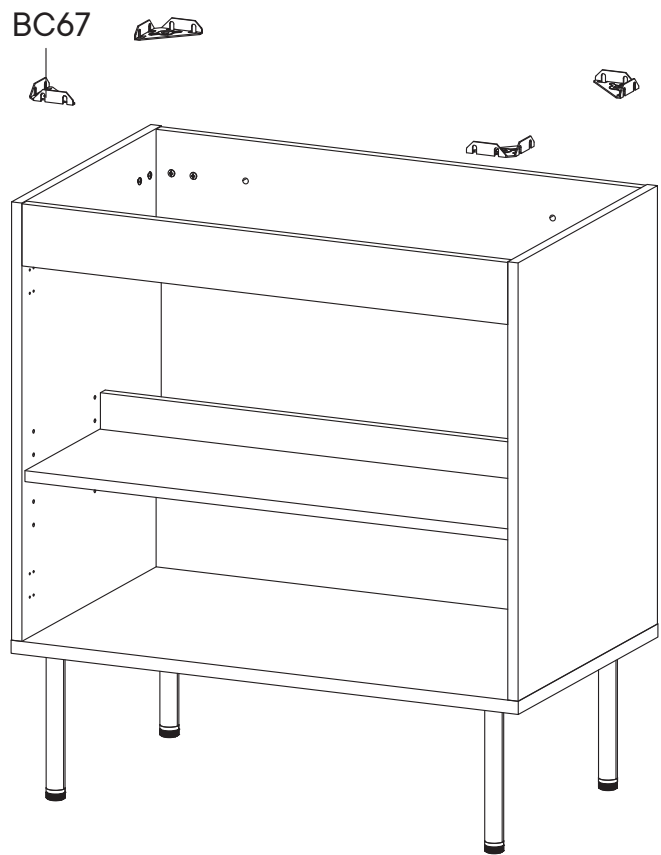
Step 9

HARDWARE

BC67 Bracket x4



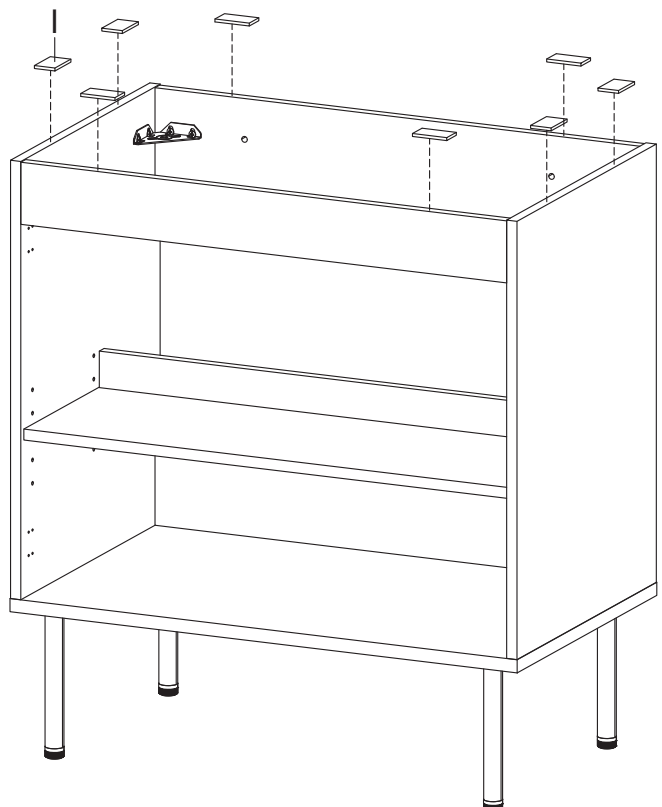
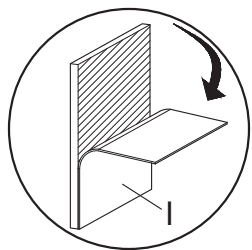
NOTE :
Tighten all the screw



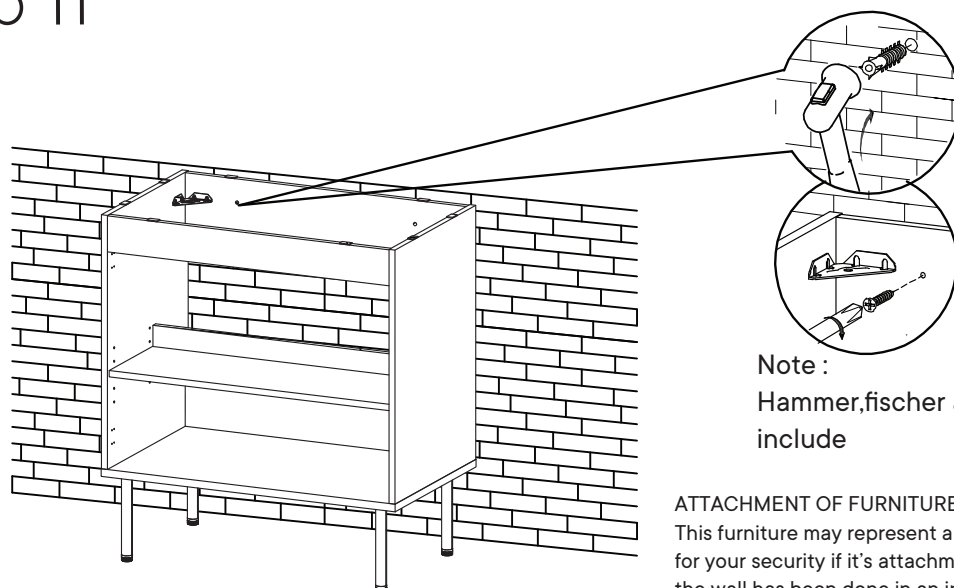
Step 10

HARDWARE

I Foam/Rubber Pad x8



Step 11



Note :

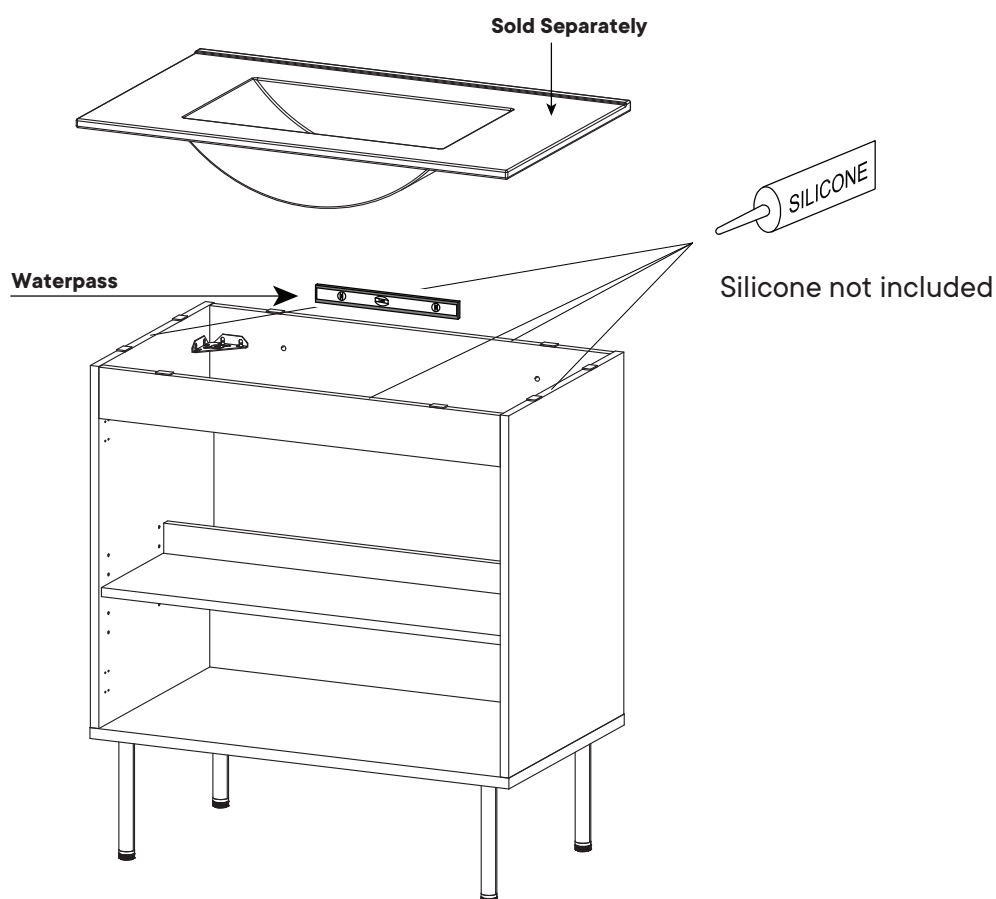
Hammer, fischer and screw not include

ATTACHMENT OF FURNITURE

This furniture may represent a danger for your security if it's attachment on the wall has been done in an incorrect way. This attachment must be done by a person with great expertise who will make sure adequacy between the device of fixing and the wall. Please source the right fitting according to the wall type. For your safety, it is imperative to fix your furniture to the wall

Step 12

Apply a thin bead of silicone compound around the vanity base and set the vanity top carefully in place. Remove any excess silicone compound with a wet rag



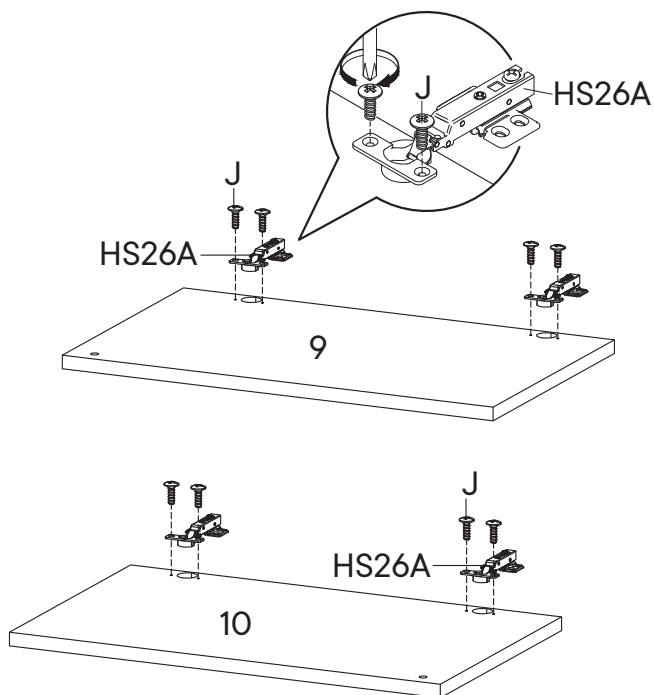
Step 13

HARDWARE

- J** Screw M 4.5 x 12.5 mm x8
- HS26A** Hinge x4

COMPONENTS

- 9** Door Left x1
- 10** Door Right x1



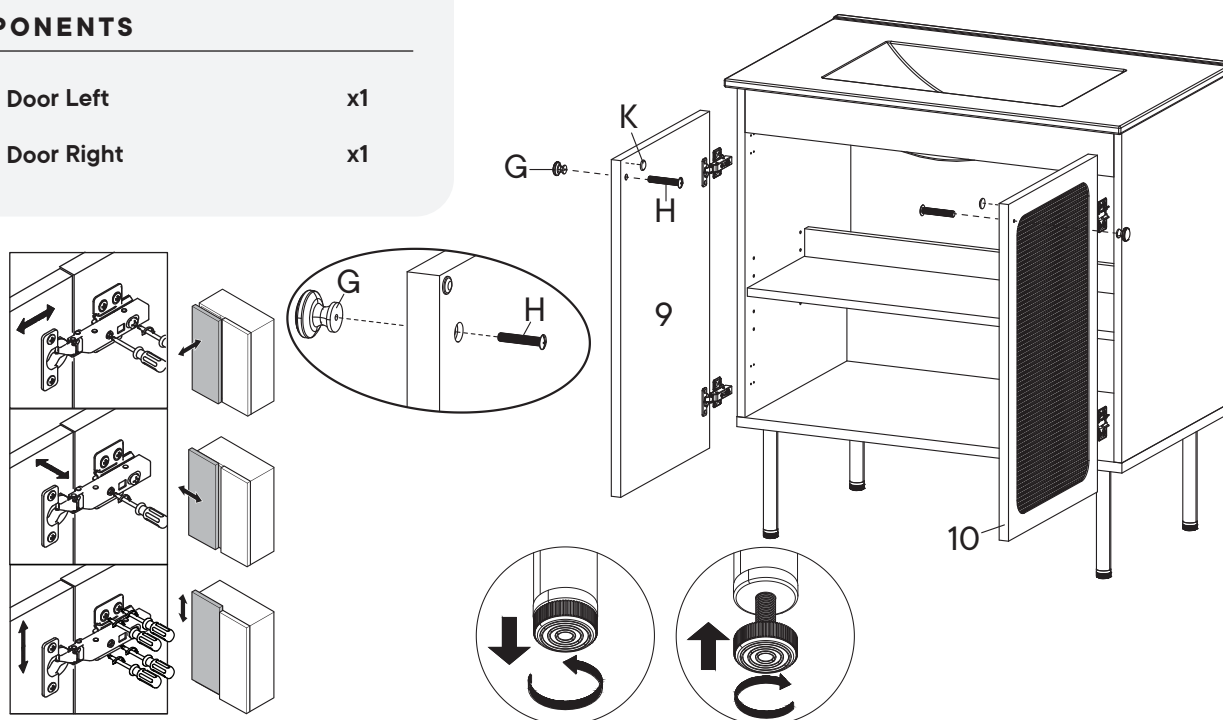
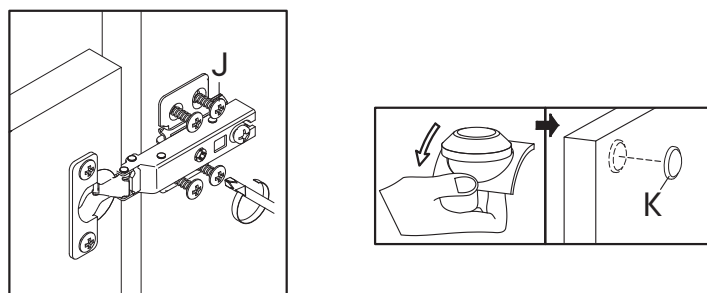
Step 14

HARDWARE

- G** Door Knob x2
- H** Screw M 4 x 22 mm x2
- J** Screw M 4.5 x 12.5 mm x16
- K** Silicon Bumper x2

COMPONENTS

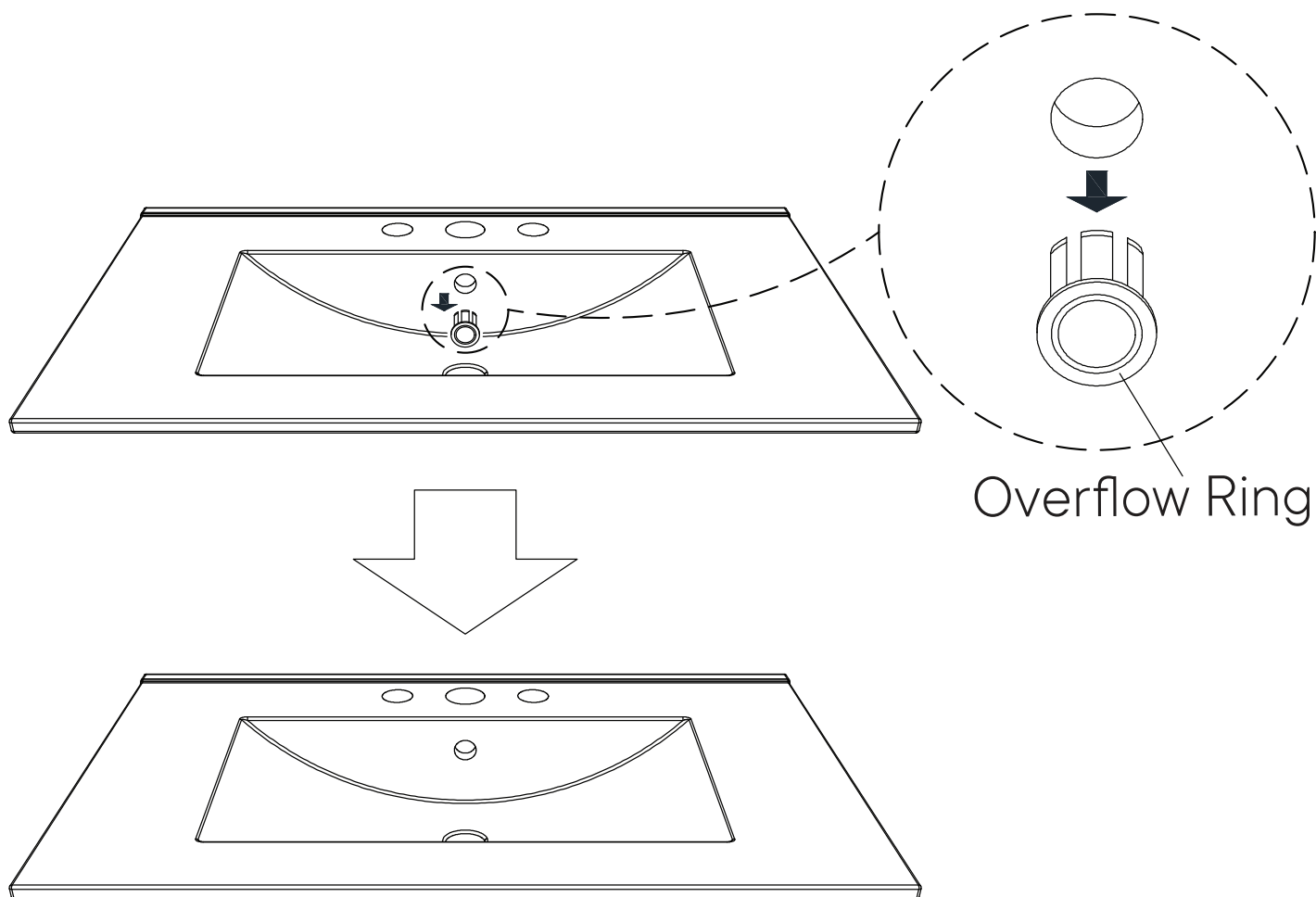
- 9** Door Left x1
- 10** Door Right x1



A quick note...

*modway

Your sink basin comes complete with a silver overflow ring.
If you'd like to remove this overflow ring, you can do so by hand.



Wait!

Missing parts or hardware? Need assistance?

Contact us before returning your item. We're here to help!

609.256.9000 • cs@modway.com

Great job!

Cabinet assembly is complete.

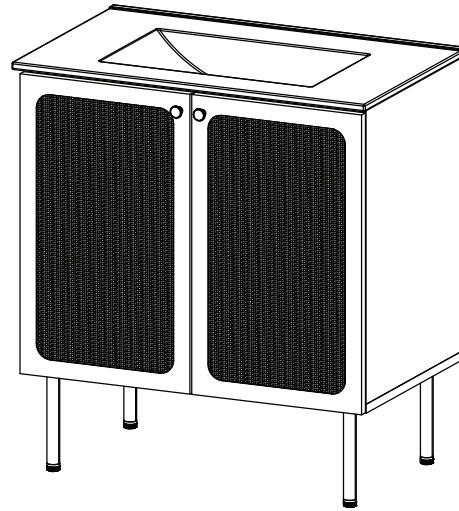
♥ CARING FOR YOUR ITEM

Indoor use only.

Not contract grade.

Clean using a non-abrasive cloth and a mild cleaner.

Never use harsh chemicals, as they could damage the finish or integrity of the item.



CONNECT WITH US!   

Tag us @modway_furniture and #modway for a chance to be featured.