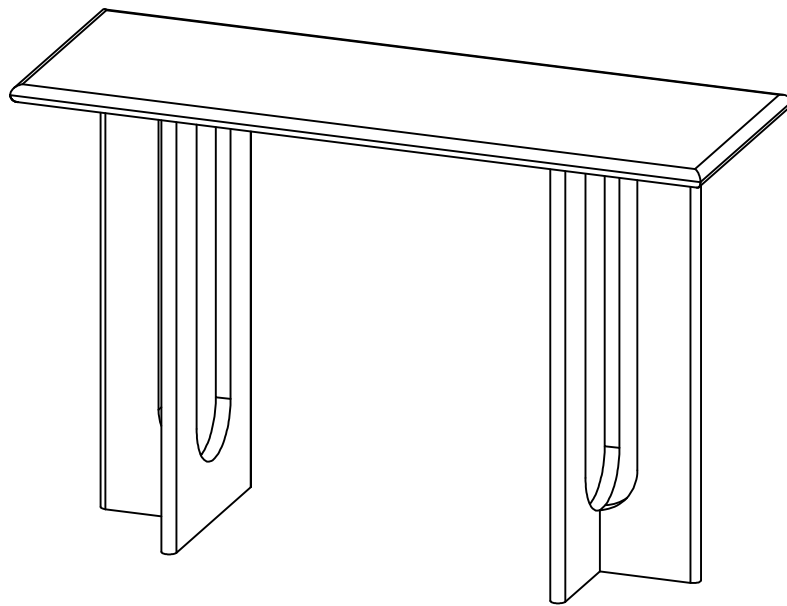


# ASSEMBLY INSTRUCTIONS

# EEI-6596

V1.16.09.23



**Questions? Contact us!**

609.256.9000 • [cs@modway.com](mailto:cs@modway.com)  
[www.modway.com](http://www.modway.com)

**\*modway**



Read through all of the instructions before starting



Care instructions are listed in the last step of this manual



Approx. 20 minutes assembly time



Make sure you have all parts and components before discarding any packing materials



2 people recommended for assembly

**Only use hand tools to assemble this item.** Do not use power tools. Do not tighten bolts or screw completely until all hardware is lined up and inserted into the holes.

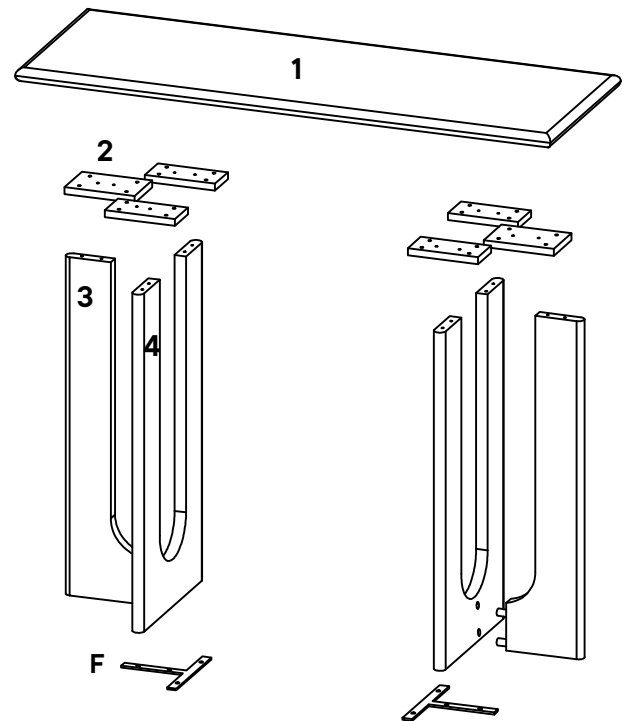
Do not over-tighten screw and bolts to avoid stripping the hardware or cracking the item

Assemble your item on a flat carpeted area, with plenty of space to work. This will prevent damage and scratches to your floors or the item while you're assembling the product.

Keep all components and packaging out of reach of children or animals to avoid risk of choking or suffocation.

## Furniture component :

1 Top	x1
2 Leg Fixing Plank	x6
3 Leg 1	x2
4 Leg 2	x2



## Provided hardware:

A		Round Head Allen Bolt M6 X 25 MM	x24
B		Round Head Allen Bolt M6 X 16 MM	x8
C		Csk Allen Bolt M6 X 25 MM	x12
D		Washer M6 X 20 MM	x24
E		Allen Key 4 MM	x1
F		Metal Plate	x2
G		Leveler (pre assembled)	x6

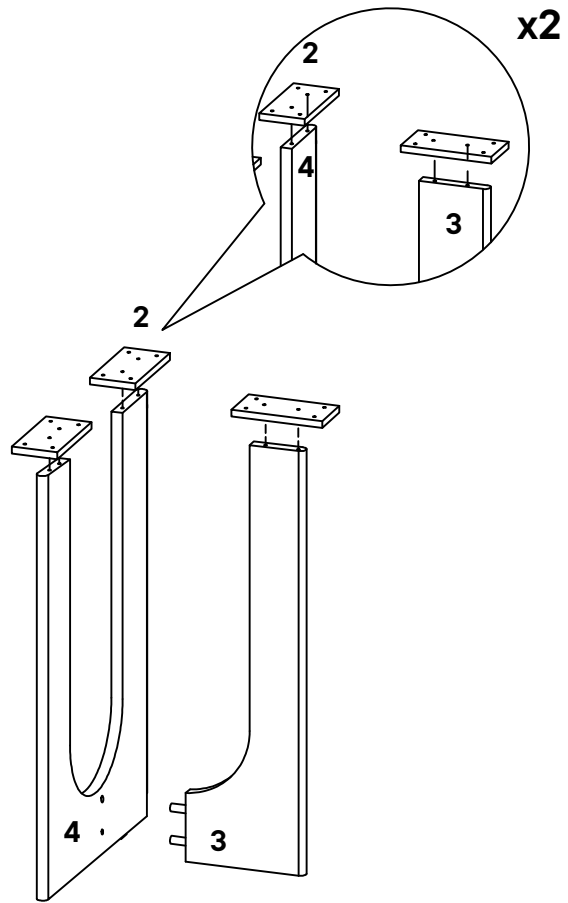
Wait!

Missing parts or hardware? Need assistance?  
Contact us before returning your items. We're here to help!  
609.256.9000 . cs@modway.com

# Step 1

## COMPONENTS

<b>2</b>	Leg Fixing Plank	x6
<b>3</b>	Leg 1	x2
<b>4</b>	Leg 2	x2



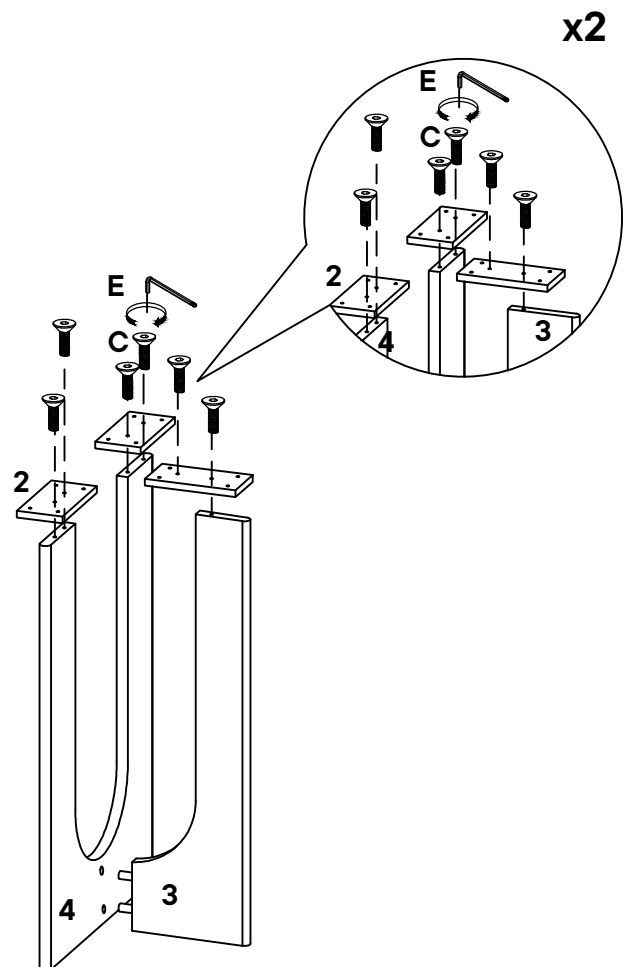
# Step 2

## HARDWARE

<b>C</b>	Csk Allen Bolt M6 X 25 MM	x12
<b>E</b>	Allen Key 4 MM	x1

## COMPONENTS

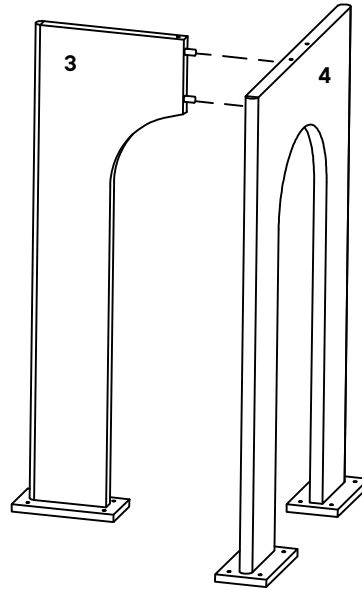
<b>2</b>	Leg Fixing Plank	x6
<b>3</b>	Leg 1	x2
<b>4</b>	Leg 2	x2



# Step 3

## COMPONENTS

- |          |       |    |
|----------|-------|----|
| <b>3</b> | Leg 1 | x2 |
| <b>4</b> | Leg 2 | x2 |



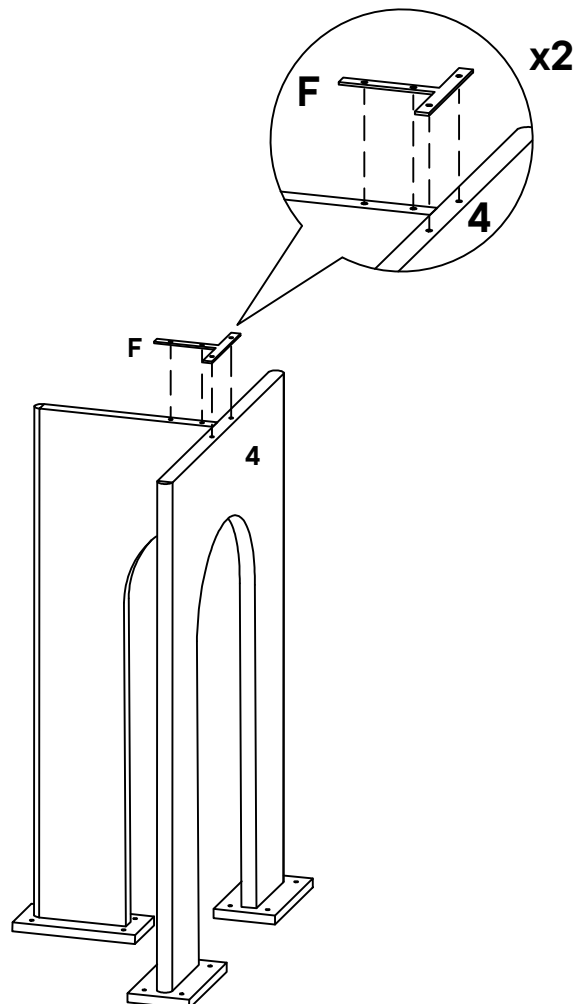
# Step 4

## HARDWARE

- |          |             |    |
|----------|-------------|----|
| <b>F</b> | Metal Plate | x2 |
|----------|-------------|----|

## COMPONENTS

- |          |       |    |
|----------|-------|----|
| <b>4</b> | Leg 2 | x2 |
|----------|-------|----|



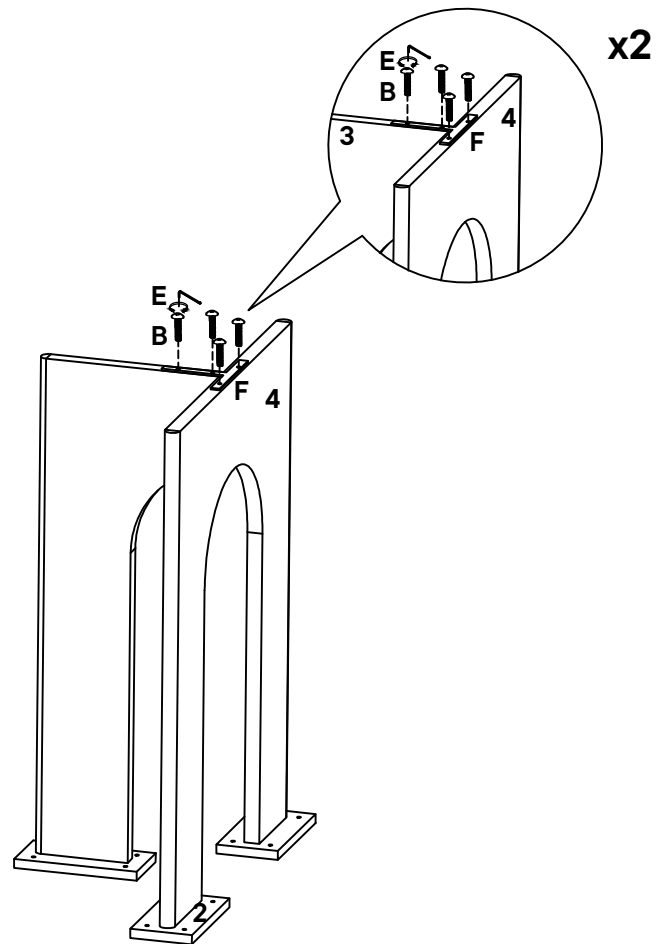
# Step 5

## HARDWARE

- B** Round Head Allen Bolt M6 X 16 MM x8
- E** Allen Key 4 MM x1
- F** Metal Plate x2

## COMPONENTS

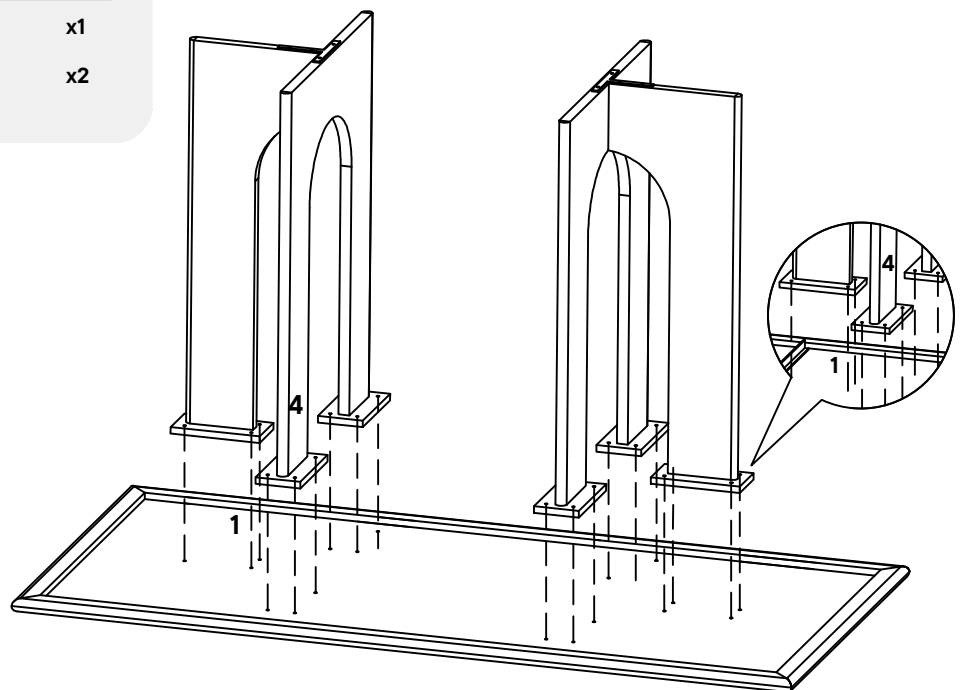
- 4** Leg 2 x2



# Step 6

## COMPONENTS

- 1** Top x1
- 4** Leg 2 x2



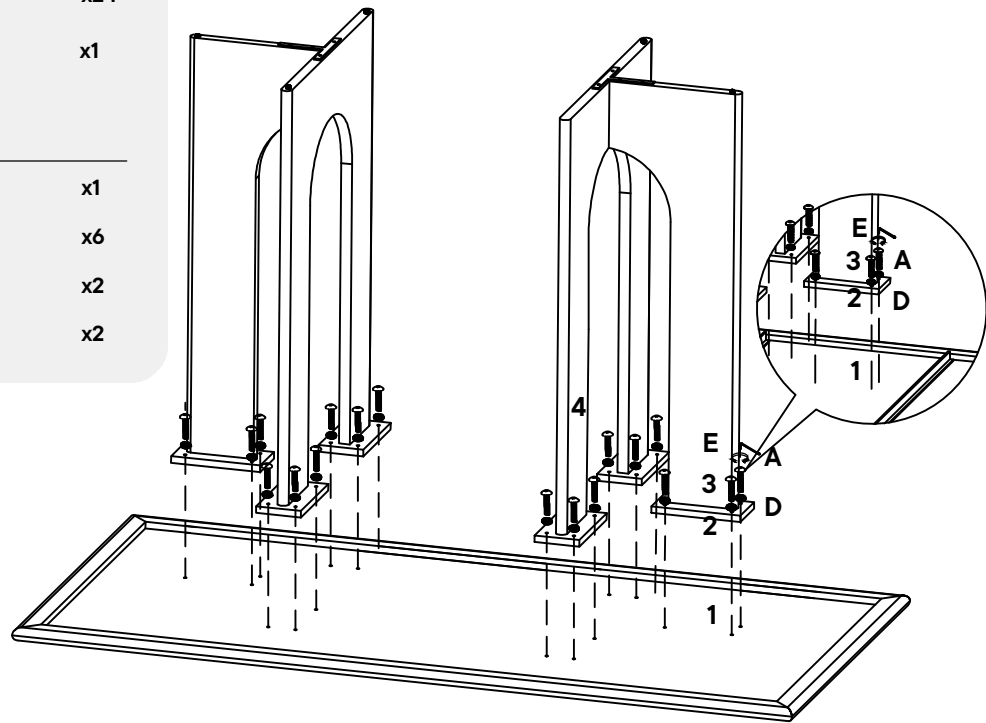
# Step 7

## HARDWARE

- |          |                                  |     |
|----------|----------------------------------|-----|
| <b>A</b> | Round Head Allen Bolt M6 X 25 MM | x24 |
| <b>D</b> | Washer M6 X 20 MM                | x24 |
| <b>E</b> | Allen Key 4 MM                   | x1  |

## COMPONENTS

- |          |                  |    |
|----------|------------------|----|
| <b>1</b> | Top              | x1 |
| <b>2</b> | Leg Fixing Plank | x6 |
| <b>3</b> | Leg 1            | x2 |
| <b>4</b> | Leg 2            | x2 |



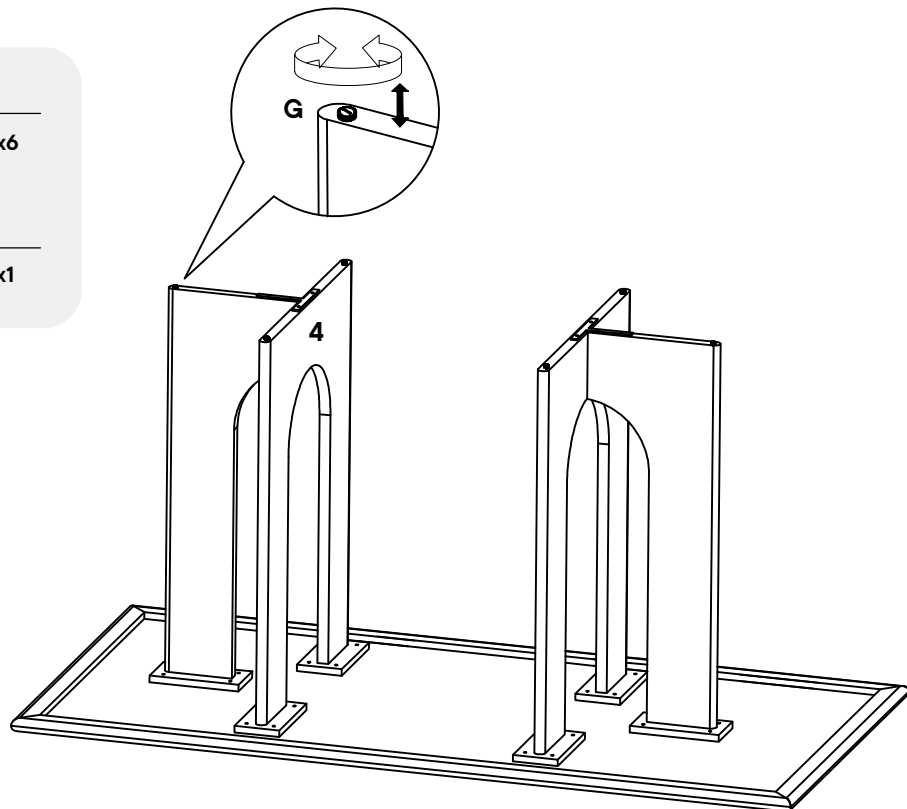
# Step 8

## HARDWARE

- |          |                         |    |
|----------|-------------------------|----|
| <b>G</b> | Leveler (pre assembled) | x6 |
|----------|-------------------------|----|

## COMPONENTS

- |          |       |    |
|----------|-------|----|
| <b>4</b> | Leg 2 | x1 |
|----------|-------|----|



**Note :- Full Tighten All Bolt.**

# Great job!

Console Table Assembly is complete.

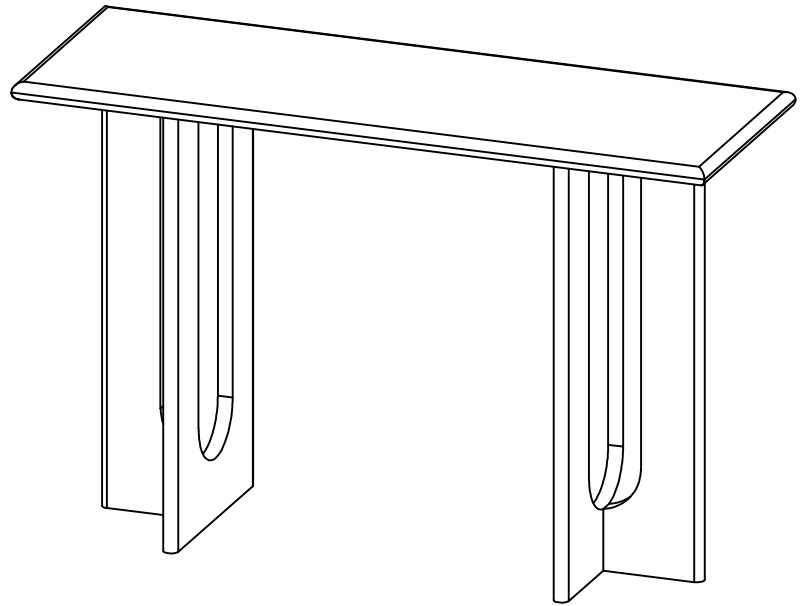
## ♥ CARING FOR YOUR ITEM

Indoor use only.

Not contract grade.

Clean using a non-abrasive cloth and a mild cleaner.

Never use harsh chemicals, as they could damage the finish or integrity of the item.



CONNECT WITH US!



Tag us [@modway\\_furniture](#) and [#modway](#) for a chance to be featured.