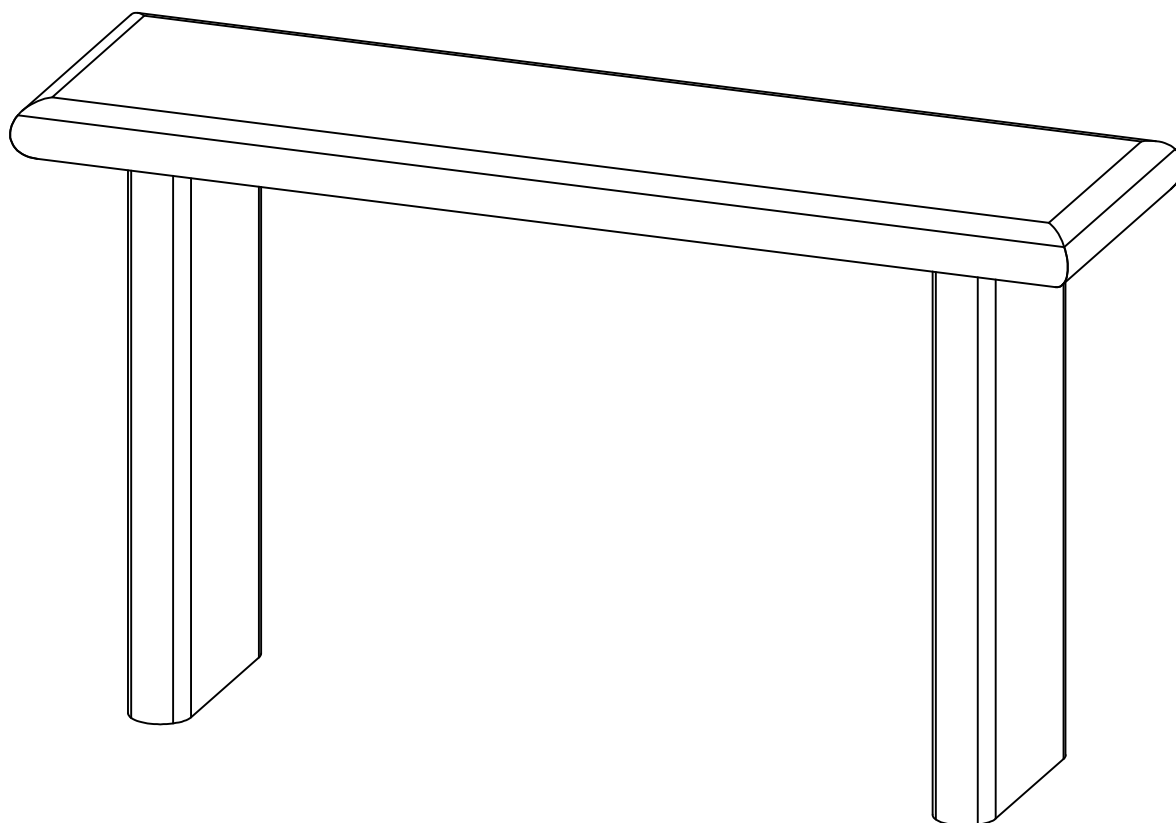


ASSEMBLY INSTRUCTIONS

EEI-6577

V1.08.08.23



Questions? Contact us!

609.256.9000 • cs@modway.com
www.modway.com

***modway**



Read through all of the instructions before starting



Care instructions are listed in the last step of this manual



Approx. 20 minutes assembly time



Make sure you have all parts and components before discarding any packing materials



2 people recommended for assembly

Only use hand tools to assemble this item. Do not use power tools. Do not tighten bolts or screw completely until all hardware is lined up and inserted into the holes.

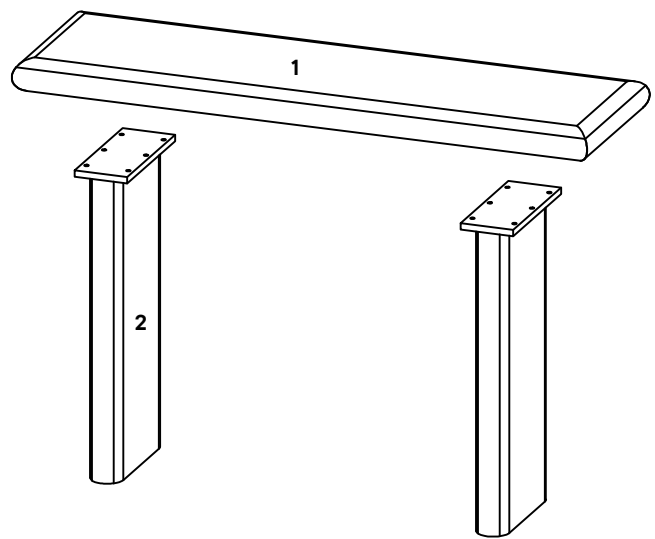
Do not over-tighten screw and bolts to avoid stripping the hardware or cracking the item

Assemble your item on a flat carpeted area, with plenty of space to work. this will prevent damage and scratches to your floors or the item while you're assembling the product.

Keep all components and packaging out of reach of children or animals to avoid risk of choking or suffocation.

Furniture component :

1 Top	x1
2 Legs	x2



Provided hardware:

A		Round Head Allen Bolt M6 X 30 MM	x12
B		Washer M6 X 20 MM	x12
C		Allen Key 4 MM	x1
D		Leveler (pre assembled)	x4

Wait!

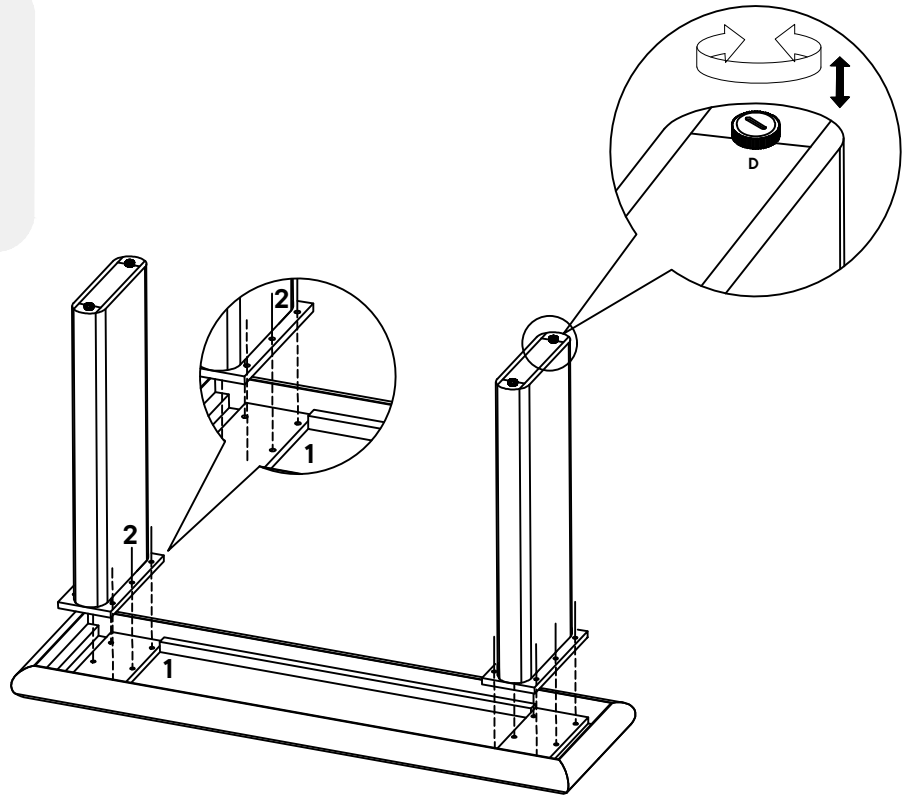
Missing parts or hardware? Need assistance?

Contact us before returning your items. We're here to help!
609.256.9000 . cs@modway.com

Step 1

COMPONENTS

1	Top	x1
2	Legs	x2



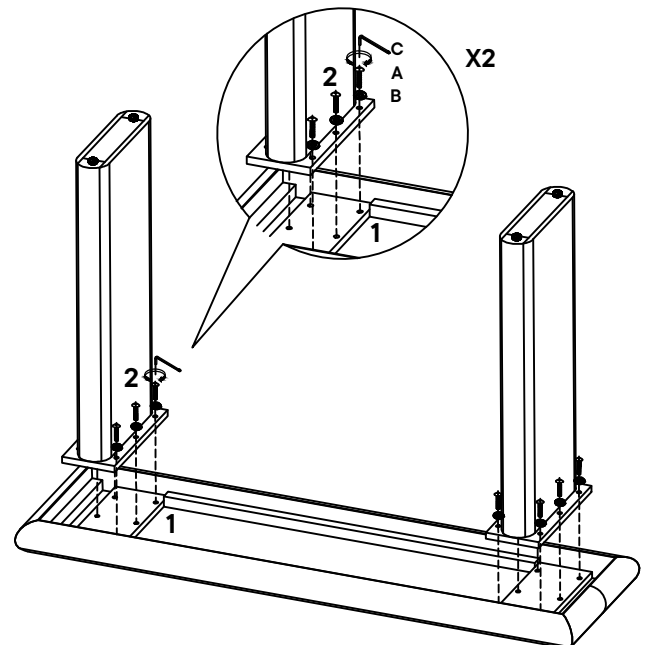
Step 2

HARDWARE

A	Round Head Allen Bolt M6 X 30 MM	x12
B	Washer M6 X 20 MM	x12
C	Allen Key 4 MM	x1

COMPONENTS

1	Top	x1
2	Legs	x2



Note :- Full Tighten All Bolt.

Great job!

Console Table assembly is complete.

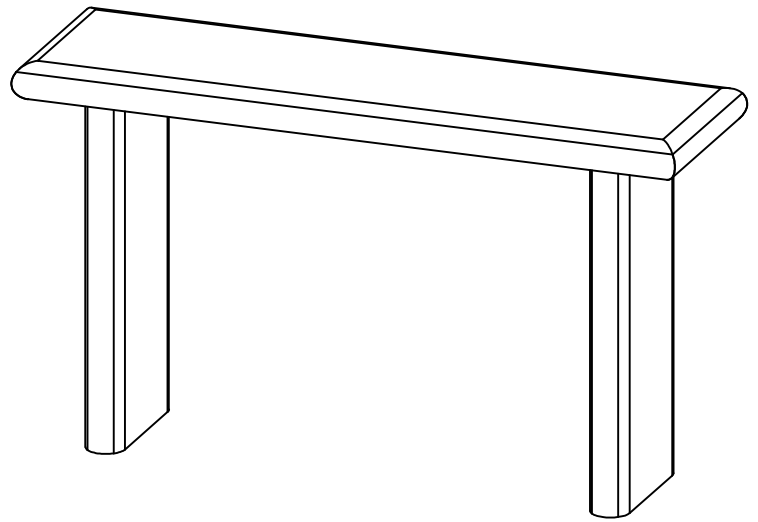
♥ CARING FOR YOUR ITEM

Indoor use only.

Not contract grade.

Clean using a non-abrasive cloth and a mild cleaner.

Never use harsh chemicals, as they could damage the finish or integrity of the item.



CONNECT WITH US!



Tag us [@modway_furniture](#) and [#modway](#) for a chance to be featured.