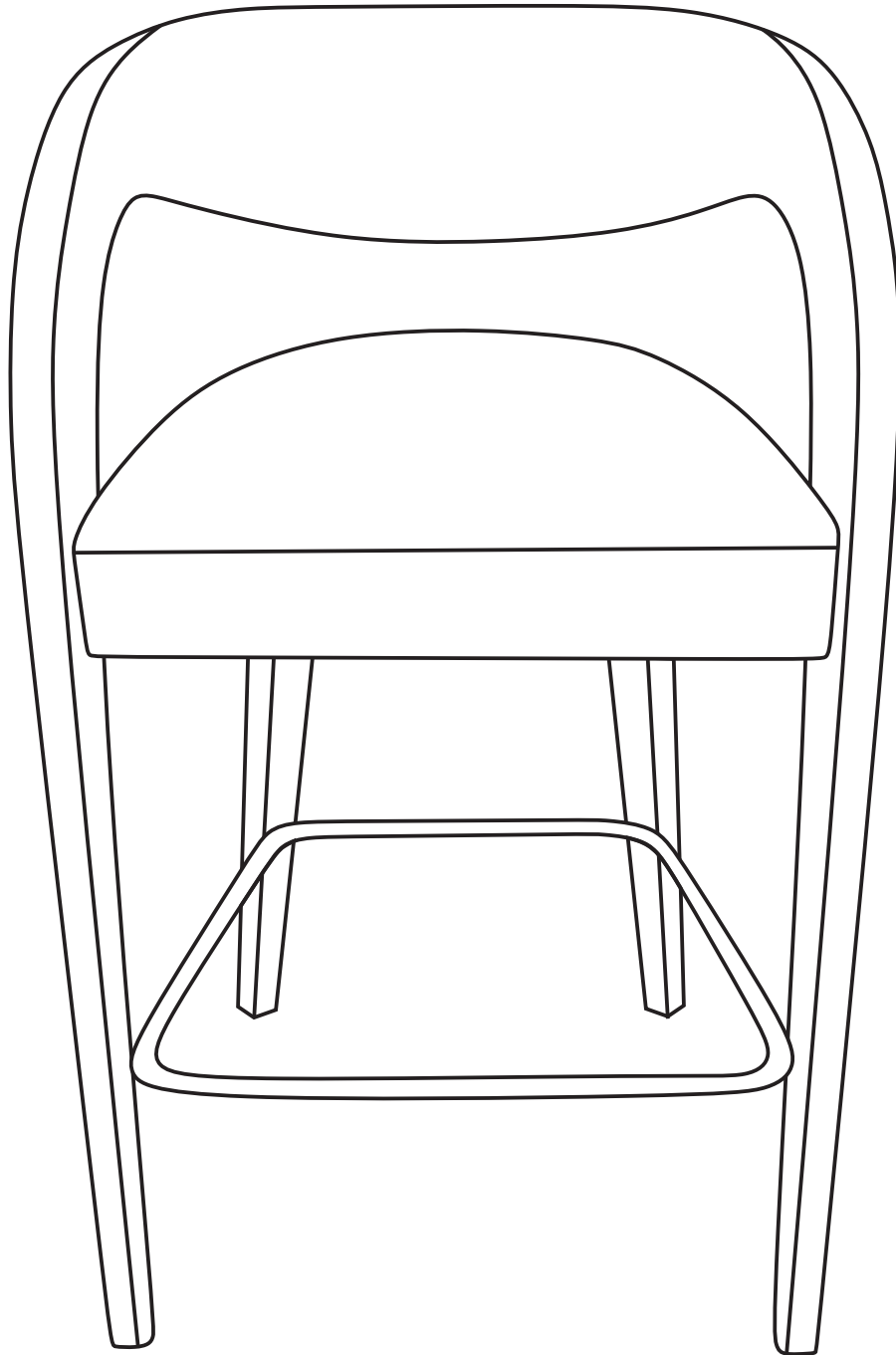


# ASSEMBLY INSTRUCTIONS

EEI-6564/6565/6566/6567/6568/6569

V1.5.23.23



**Questions? Contact us!**

609.256.9000 • [cs@modway.com](mailto:cs@modway.com)  
[www.modway.com](http://www.modway.com)

\*modway



Read through all of the instructions before starting



Care instructions are listed in the last step of this manual



Approx. 30 minutes assembly time



Make sure you have all parts and components before discarding any packing materials



2 people recommended for assembly

**Only use hand tools to assemble this item.** Do not use power tools. Do not tighten bolts or screws completely until all hardware is lined up and inserted into the holes.

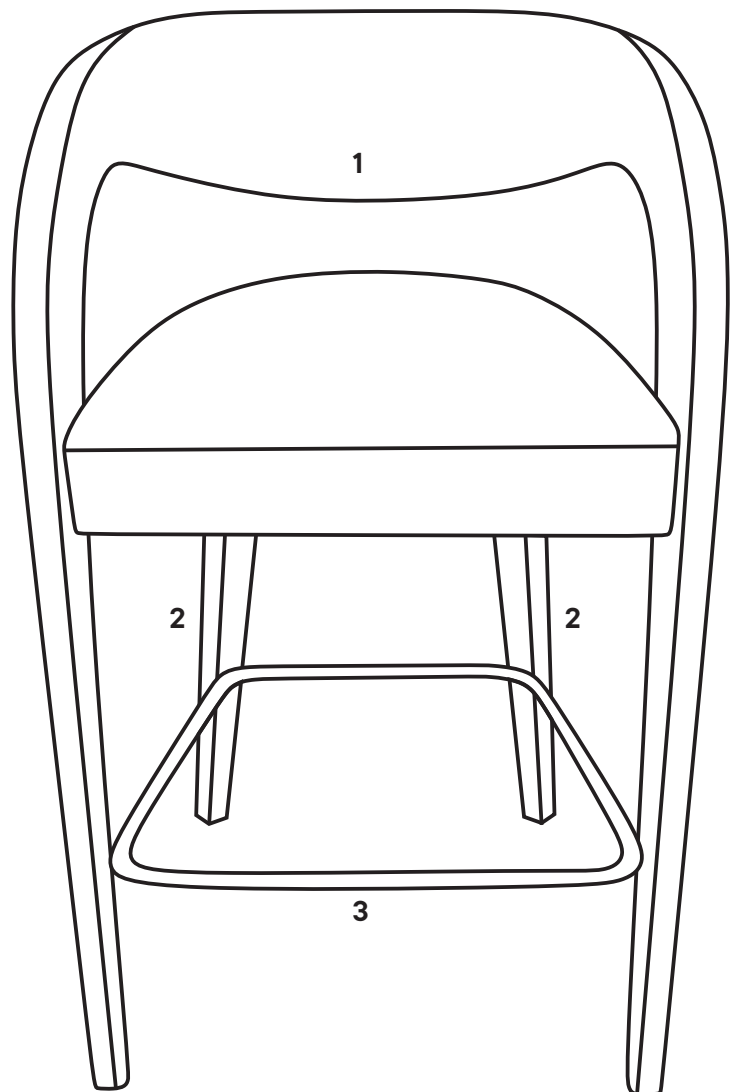
Do not over-tighten screws and bolts to avoid stripping the hardware or cracking the item.

Assemble your item on a flat, carpeted area, with plenty of space to work. This will prevent damage and scratches to your floors or the item while you're assembling the product.

Keep all components and packaging out of reach of children or animals to avoid risk of choking or suffocation.

## Furniture components:

1	Stool Body	x1
2	Back Legs	x2
3	Metal Footrest	x1



## Provided hardware:

A		Bolt M8 x 45mm	x4
B		Spring Washer M8	x4
C		Flat Washer M8	x4
D		Allen Wrench M8	x1
E		Bolt M4 x 25mm	x4
F		Allen Wrench M4	x1

**Wait!**

Missing parts or hardware? Need assistance?  
Contact us before returning your item. We're here to help!  
609.256.9000 • cs@modway.com

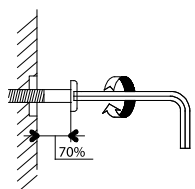
# Step 1

## COMPONENTS

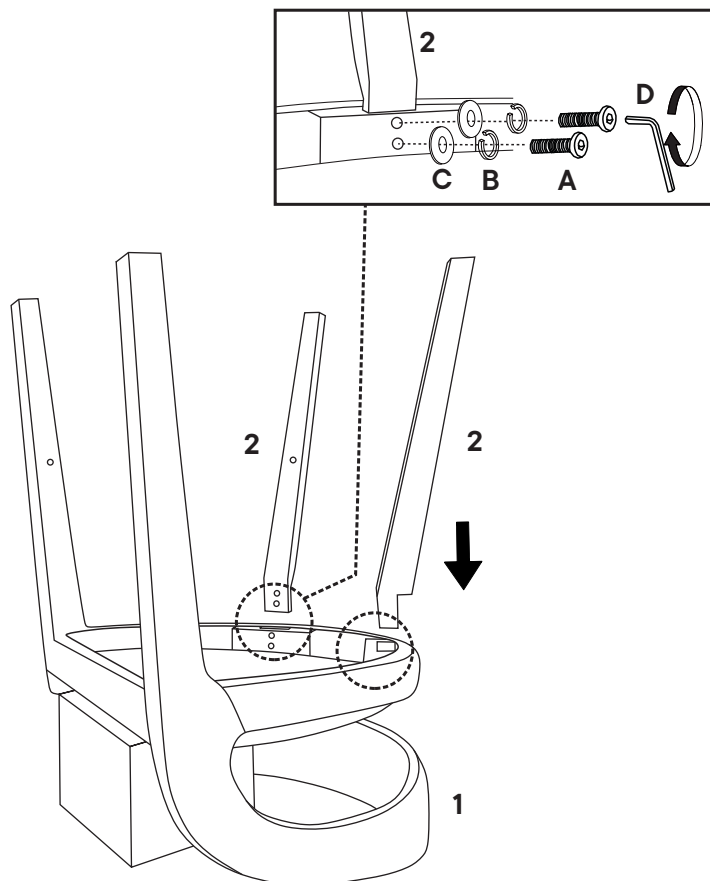
- ① Stool Body x1
- ② Back Legs x2

## HARDWARE

- Ⓐ Bolt M8 x 45mm x4
- Ⓑ Spring Washer M8 x4
- Ⓒ Flat Washer M8 x4
- Ⓓ Allen Wrench M8 x1



**NOTE :** Do not fully tighten the bolt



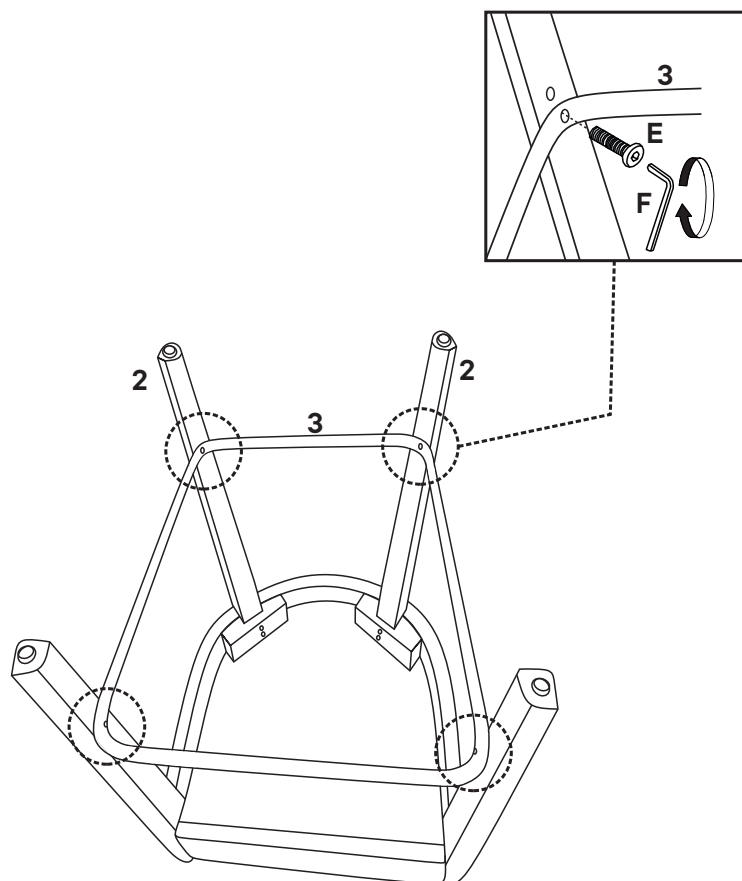
# Step 2

## COMPONENTS

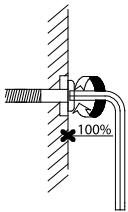
- ② Back Legs x2
- ③ Metal Footrest x1

## HARDWARE

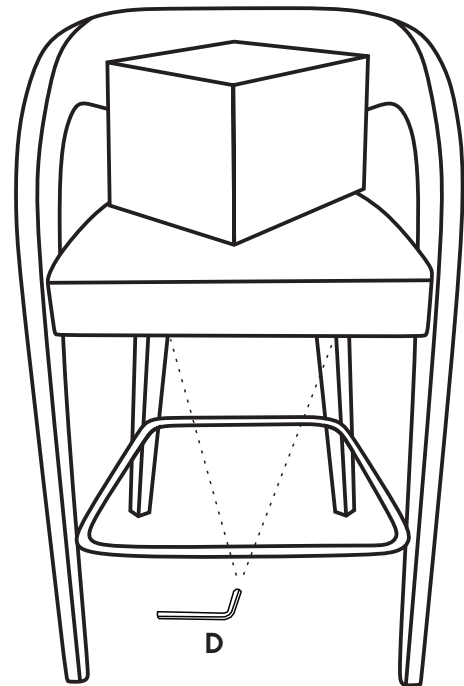
- Ⓔ Bolt M4 x 25mm x4
- Ⓕ Allen Wrench M4 x1



## Step 3



**NOTE :** To assist with leveling the stool, place a heavy object or have an adult sit on the Back Legs (2) to pressure the stool for leveling and fully tighten all bolts with Allen Wrench (D) to secure all legs.



## Great job!

Your stool is complete and ready to enjoy.

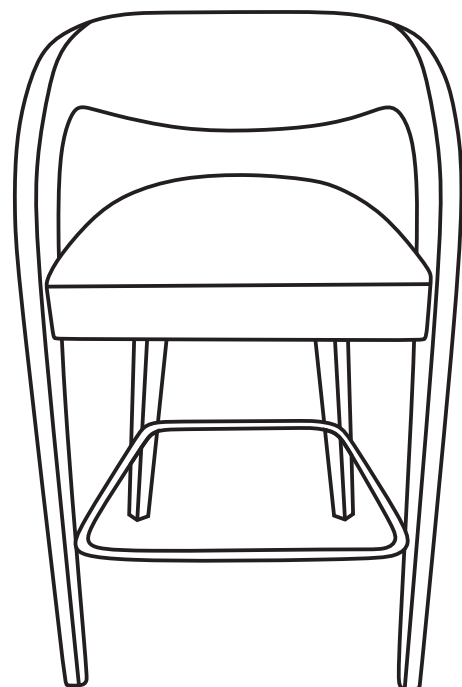
### ♥ CARING FOR YOUR ITEM

Indoor use only.

Not contract grade.

Clean using a non-abrasive cloth and a mild cleaner.

Never use harsh chemicals, as they could damage the finish or integrity of the item.



CONNECT WITH US!   

Tag us [@modway\\_furniture](#) and [#modway](#) for a chance to be featured.