

# ASSEMBLY INSTRUCTIONS

# EEI - 6557

V1.04.10.23



**Questions? Contact us!**

609.256.9000 • [cs@modway.com](mailto:cs@modway.com)

[www.modway.com](http://www.modway.com)

**\*modway**

# Let's get started!

**\*modway**



Read through all of the instructions before starting



Care instructions are listed in the last step of this manual



Approx. 30 minutes assembly time



Make sure you have all parts and components before discarding any packing materials



2 people recommended for assembly

**Only use hand tools to assemble this item.** Do not use power tools. Do not tighten bolts or screws completely until all hardware is lined up and inserted into the holes.

Do not over-tighten screws and bolts to avoid stripping the hardware or cracking the item.

Assemble your item on a flat, carpeted area, with plenty of space to work. This will prevent damage and scratches to your floors or the item while you're assembling the product.

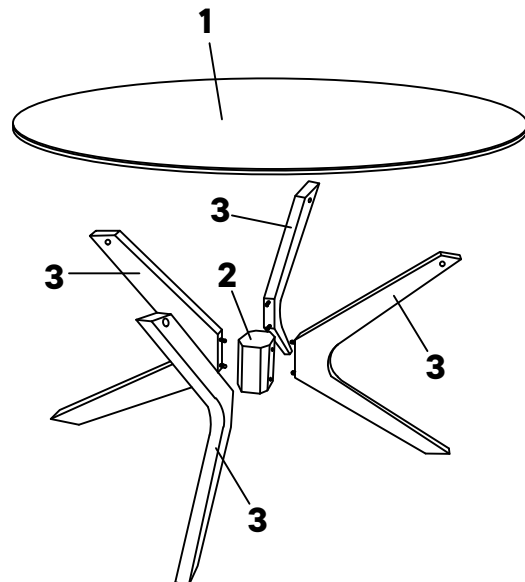
Keep all components and packaging out of reach of children or animals to avoid risk of choking suffocation.

## Furniture components:

1	Table Top	x1
2	Pedestal	x1
3	Leg	x4

## Provided hardware

A		JCBC Screw M6x60mm	x4
B		Flat Washer M6	x4
C		Flat Washer M8	x4
D		Spring Washer M8	x4
E		Hex Nut M8	x4
F		CSK Screw M4x32mm	x16
G		Spanner 80mm	x1



H		Allen Key M4	x1
I		Adjustable Leg	x4
J		Stopper	x4

## What you need:

**Philips Head Screwdriver**

**Stopper with E-nut** x4

**Wait!**

Missing parts or hardware? Need assistance?

Contact us before returning your item. We're here to help!  
609.256.9000 • cs@modway.com

# Step 1

## HARDWARE

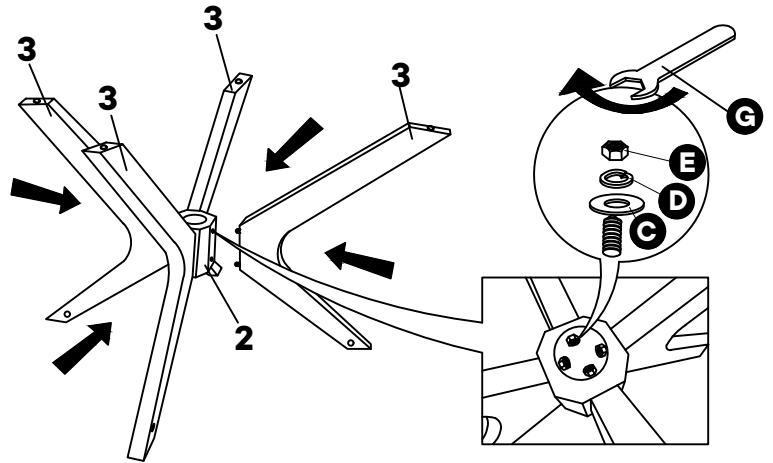
- E** Hex Nut M8 x4
- D** Spring Washer M8 x4
- C** Flat Washer M8 x4

## COMPONENTS

- 2** Pedestal x1
- 3** Leg x4

## TOOLS

- G** Spanner 80mm x1



# Step 2

## HARDWARE

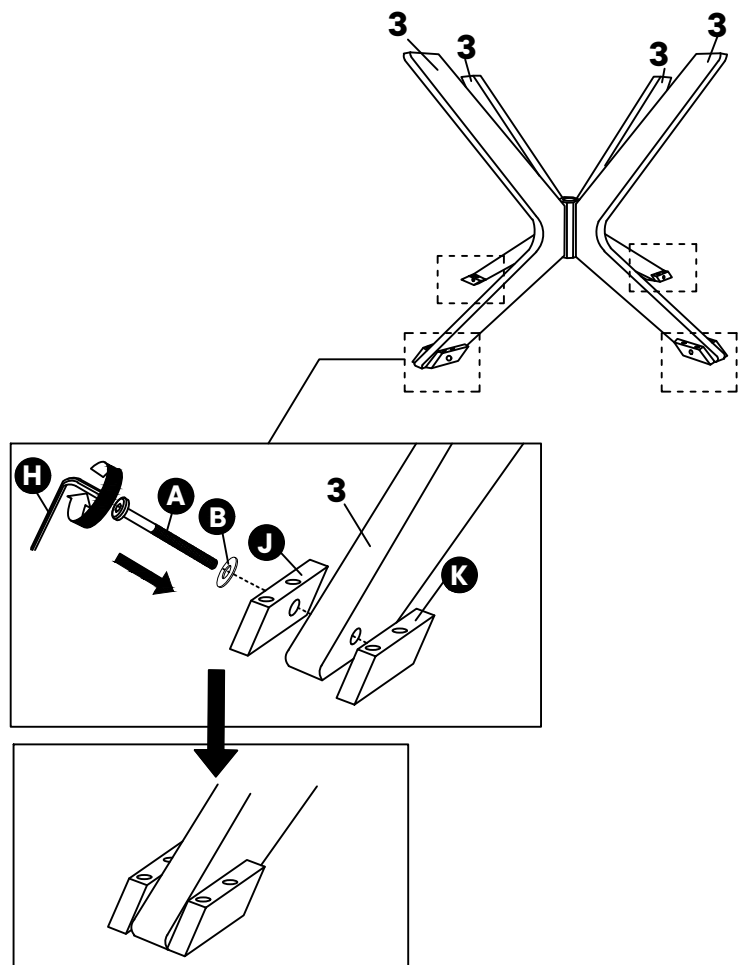
- A** JCBC Screw M6x60mm x4
- B** Flat Washer M6 x4
- J** Stopper x4
- K** Stopper With E - Nut x4

## COMPONENTS

- 3** Leg x4

## TOOLS

- H** Allen Key M4 x1



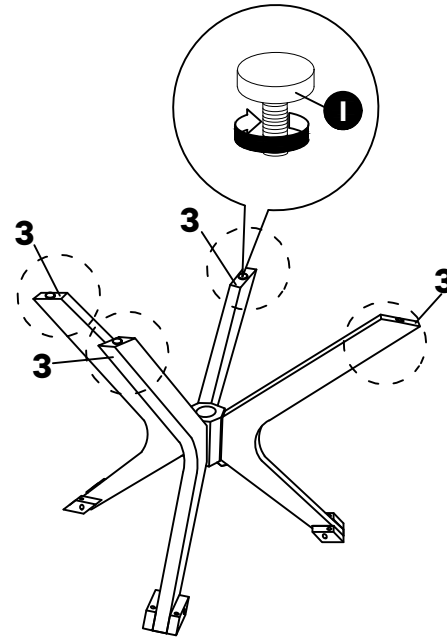
## Step 3

### COMPONENTS

**3** Leg x4

### HARDWARE

**1** Adjustable Leg x4



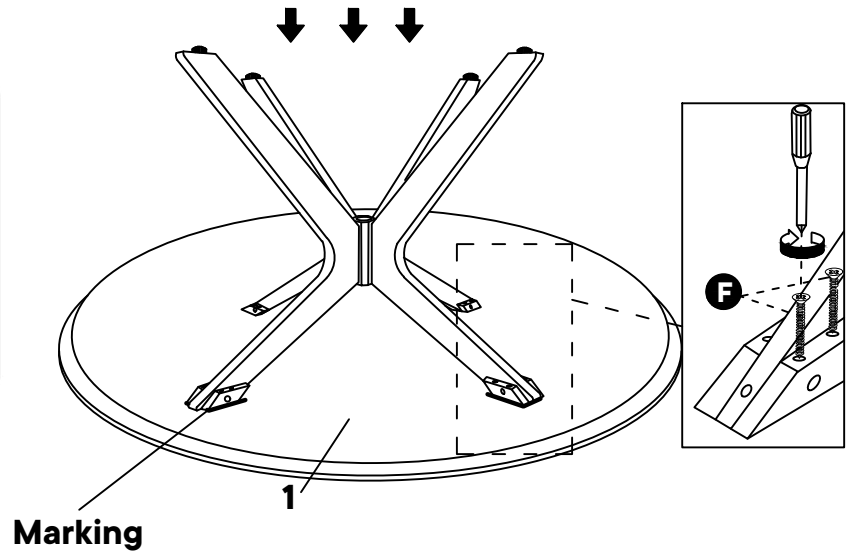
## Step 4

### HARDWARE

**F** CSK Screw M4x32mm x8

### COMPONENTS

**1** Table Top x1



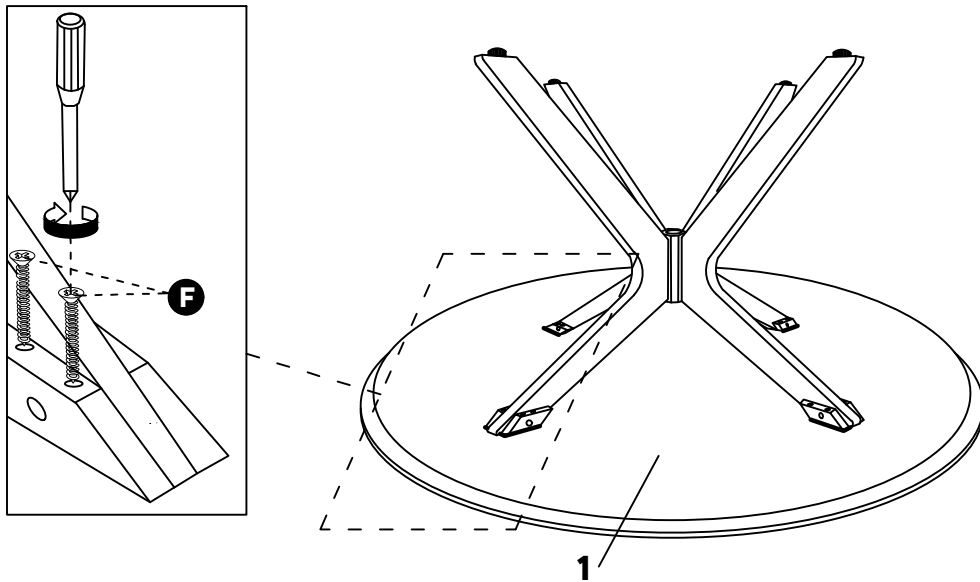
# Step 5

## HARDWARE

**F** CSK Screw M4x32mm x8

## COMPONENTS

**1** Table Top x1



# Great job!

Your new coffee table is complete.

## ♥ CARING FOR YOUR ITEM

Depending on use, it may be necessary to tighten the hardware from time to time, so please save the tools that have been provided.

Not contract grade.

Clean using a non - abrasive cloth and a mild cleaner.



**CONNECT WITH US!**   

Tag us **@modway\_furniture** and **#modway** for a chance to be featured.