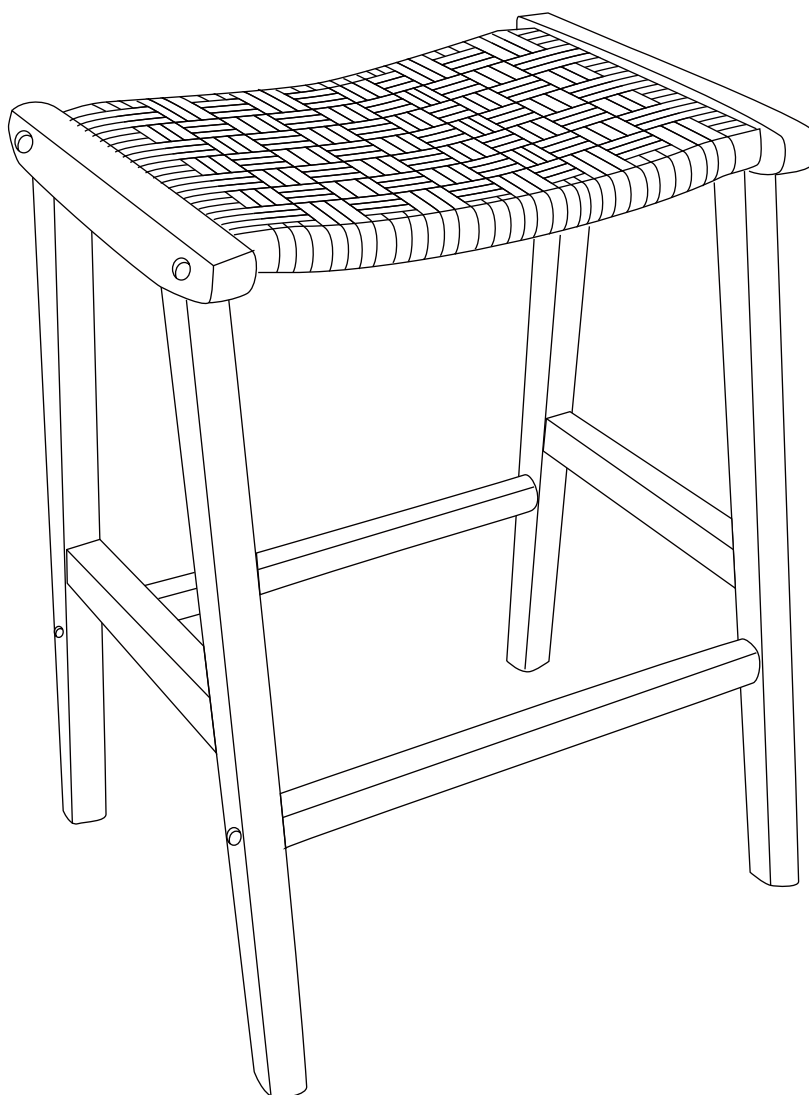


# ASSEMBLY INSTRUCTIONS

# EEI-6547/6549

V1.06.02.21



**Questions? Contact us!**

609.256.9000 • [cs@modway.com](mailto:cs@modway.com)  
[www.modway.com](http://www.modway.com)

**\*modway**

# Let's get started!

\*modway



Read through all of the instructions before starting



Care instructions are listed in the last step of this manual



Approx. 30 minutes assembly time



Make sure you have all parts and components before discarding any packing materials



2 people recommended for assembly

**Only use hand tools to assemble this item.** Do not use power tools. Do not tighten bolts or screws completely until all hardware is lined up and inserted into the holes.

Do not over-tighten screws and bolts to avoid stripping the hardware or cracking the item.

Assemble your item on a flat, carpeted area, with plenty of space to work. This will prevent damage and scratches to your floors or the item while you're assembling the product.

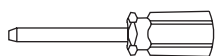
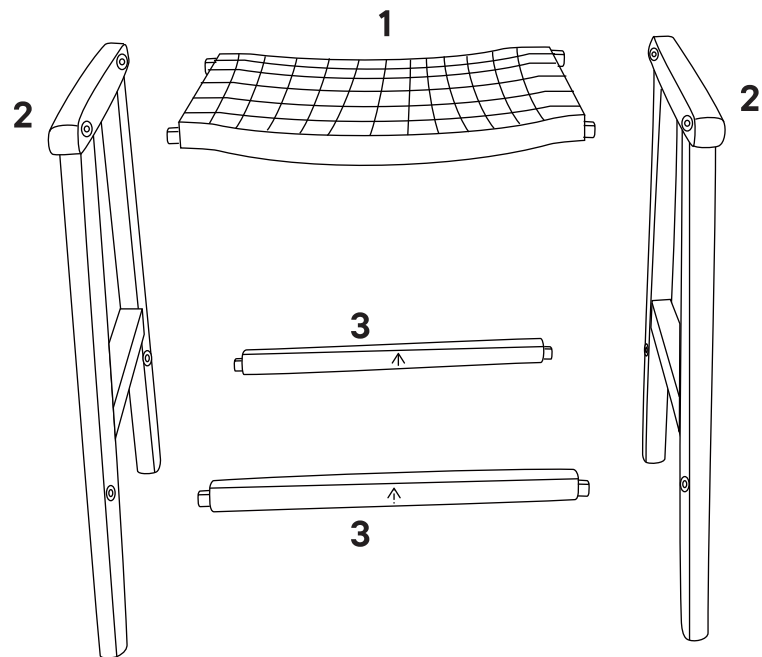
Keep all components and packaging out of reach of children or animals to avoid risk of choking or suffocation.

## Furniture components:

1	Seat	x1
2	Stool Leg	x2
3	Foot rest	x2

## Provided hardware:

A		Cam Bolt M6 x 45mm	x8
B		Spring Washer	x8
C		Flat Washer	x8
D		Allen Key	x1
E		Double hole nut	x8
F		Bung	x8



FLAT SCREW DRIVER  
NOT PROVIDED

**Wait!**

**Missing parts or hardware? Need assistance?**

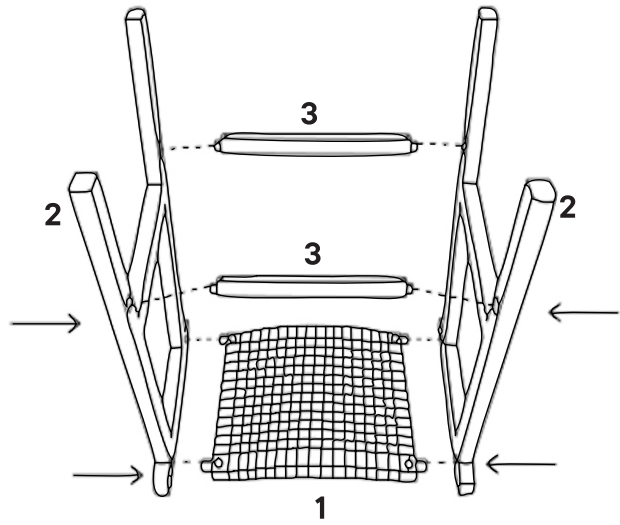
Contact us before returning your item. We're here to help!

609.256.9000 • [cs@modway.com](mailto:cs@modway.com)

# Step 1

## COMPONENTS

1	Seat	x1
2	Stool Leg	x2
3	Foot Rest	x2



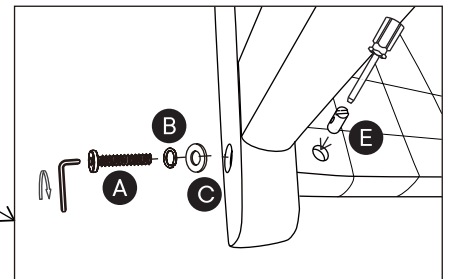
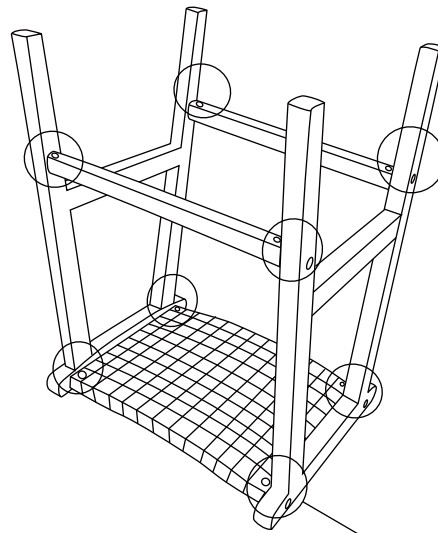
# Step 2

## HARDWARE

A	Connecting Bolt M6 x 45mm	x8
B	Spring Washer	x8
C	Flat Washer	x8
E	Double hole nut	x8

## TOOLS

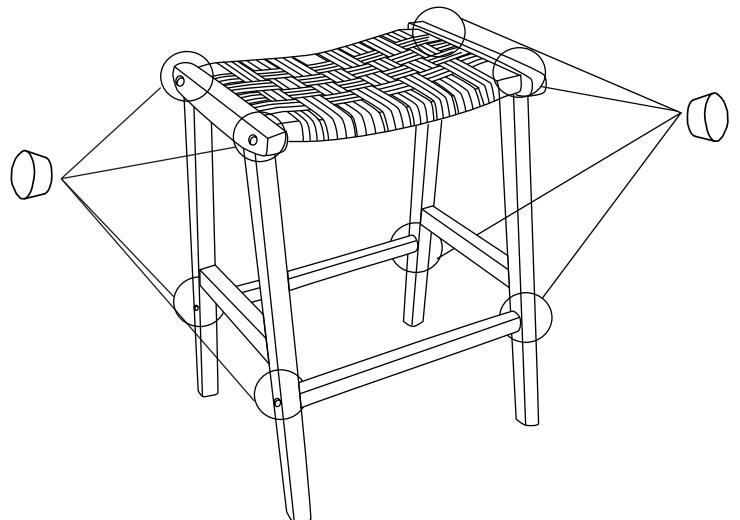
D	Allen Key	x1
---	-----------	----



# Step 3

## HARDWARE

F	Bung	x8
---	------	----



# Great job!

Your new counter stool is complete.

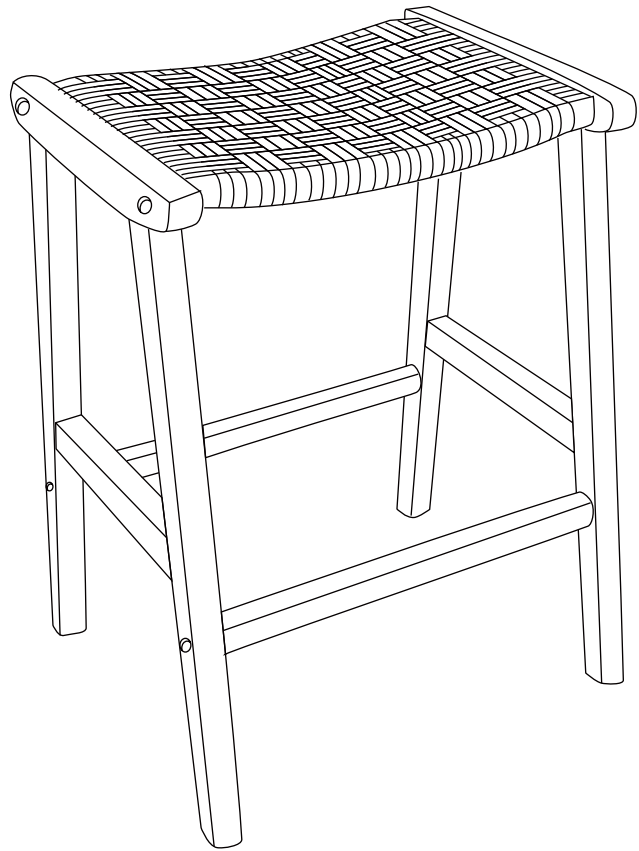
## ♥ CARING FOR YOUR ITEM

Depending on use, it may be necessary to tighten the hardware from time to time, so please save the tools that have been provided.

Not contract grade.

Clean using a non-abrasive cloth and a mild cleaner.

Retain the rich wood color by occasionally sanding lightly and applying a teak cleaner and protectant. The oils nourish and help restore the original look.



CONNECT WITH US!   

Tag us @modway\_furniture and #modway for a chance to be featured.