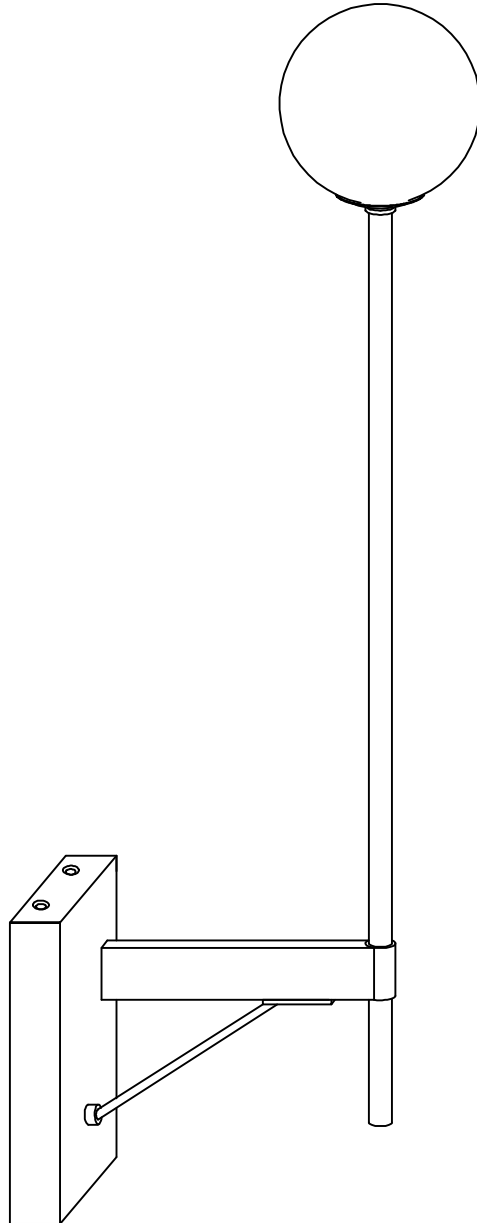


# ASSEMBLY INSTRUCTIONS

# EEI-6533

V1.07.17.23



**Questions? Contact us!**

609.256.9000 • [cs@modway.com](mailto:cs@modway.com)  
[www.modway.com](http://www.modway.com)

\*modway

# Let's get started!



Read through all of the instructions before starting



Make sure you have all parts and components before discarding any packing materials



For hardwiring installation, we suggest hiring a professional electrician.

Do not over-tighten screws and bolts to avoid stripping the hardware or cracking the item.

Keep all components and packaging out of reach of children or animals to avoid risk of choking or suffocation.

Check all parts and hardware for damage. If the product is damaged, it should not be used.

Assemble your item on a flat, carpeted area, with plenty of space to work. This will prevent damage and scratches to your floors or the item while you're assembling the product.


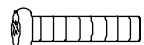



Installation and electrical connections must follow local and National Electric Code standards.

Ensure the main power supply is OFF before starting work to prevent electrical shock.

Allow the fixture to cool before changing the bulb. Fixture may get hot when in use.

We recommend LED bulbs. LEDs are better for energy consumption and can prolong the life of the fixture.

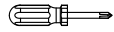
## Provided hardware:

A		Mounting Plate	x1
B		Long Screw	x2
C		Wire Cap	x3
D		Short Green Screw	x1
E		Side Screw	x4

## What you need:



Phillips



Phillips Head Screwdriver

## You may also need:

+ Ladder

+ Electrical Tape

+ Wire Stripper or Cutters

+ Power Drill

+ One (1) G9 (Light Bulb (MAX. 25W))

Wait!

Missing parts or hardware? Need assistance?  
Contact us before returning your item. We're here to help!  
609.256.9000 • [cs@modway.com](mailto:cs@modway.com)

# Step 1

Before beginning **TURN OFF POWER** to the light from the fuse or circuit breaker.

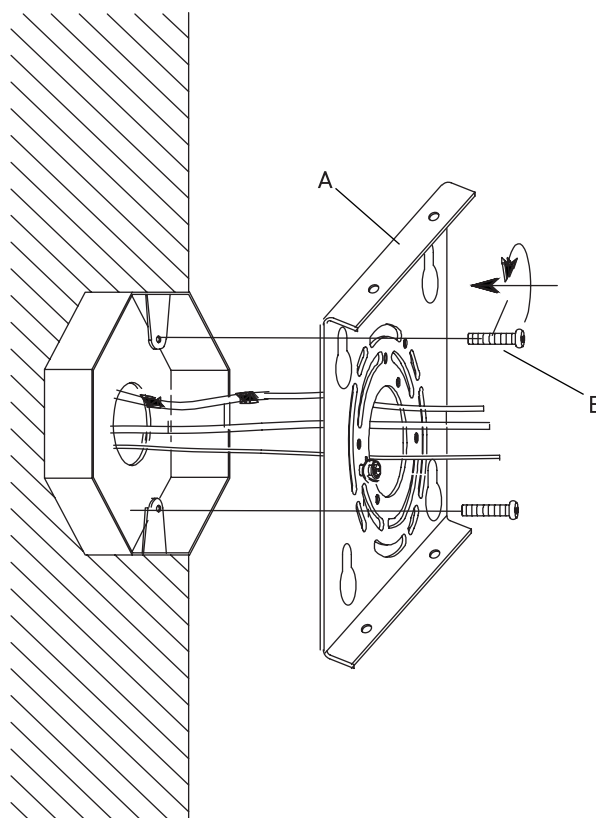


# Step 2

## HARDWARE

- |          |                       |           |
|----------|-----------------------|-----------|
| <b>A</b> | <b>Mounting Plate</b> | <b>x1</b> |
| <b>B</b> | <b>Long Screw</b>     | <b>x2</b> |

Attach the **Mounting Plate (A)** to the junction box in the wall and affix it with 2 **Long Screws (B)**.



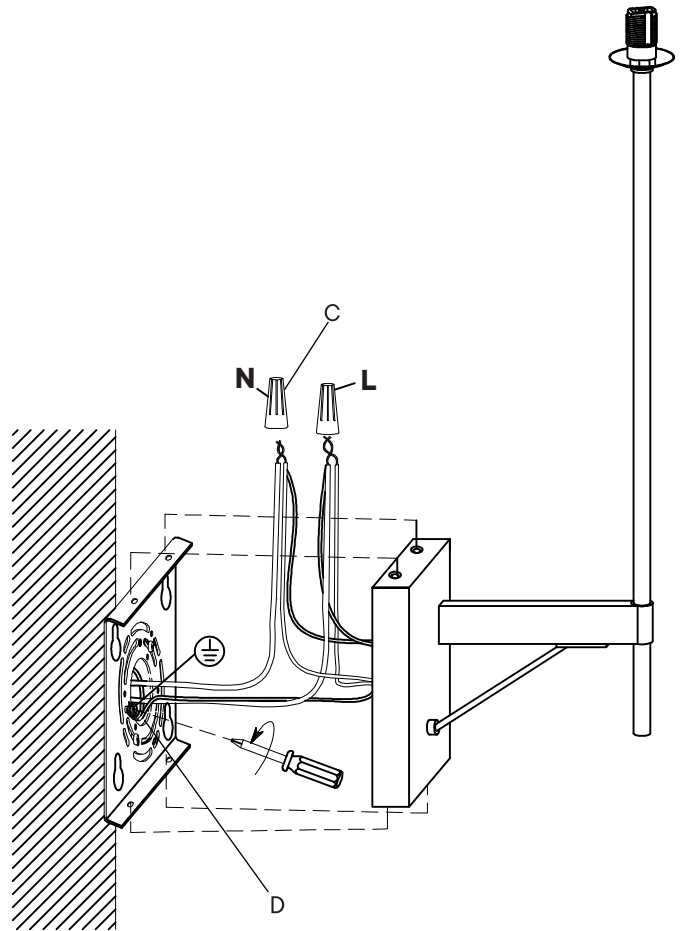
## Step 3

### HARDWARE

<b>C</b>	Wire Cap	x3
<b>D</b>	Short Green Screw	x1

Connect wires with matching polarity. The black fixture wire connects to the black supply wire (live wire) and the white fixture wire to the white supply wire (neutral wire). Secure each connection using a **Wire Cap (C)**.

Connect the copper fixture wire to the ground wire and secure the connection with a **Wire Cap (C)**. If there is not a supply ground wire, attach the copper fixture wire to the **Short Green Screw (D)** to ground.



## Step 4

Continue to support fixture. Make sure all connected wires are carefully placed inside of box and canopy.



# Step 5

## HARDWARE

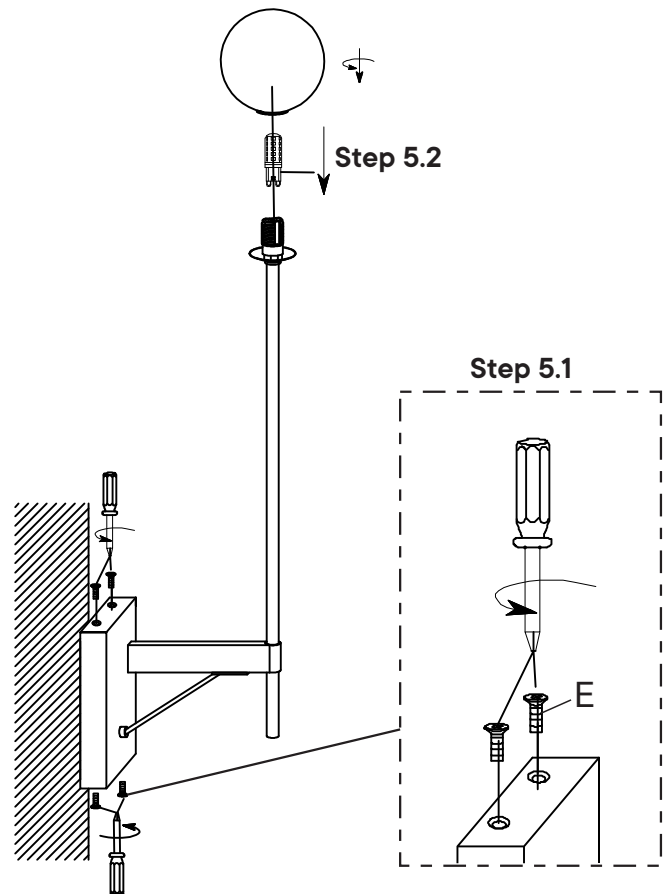
**E** Side Screw x4

**Step 5.1** Attach the wall base to the **Mounting Plate (A)**, secure it with 4 **Side Screw (E)**.

**Step 5.2** Install the light bulbs according to the wattage label (G9, MAX. 25W, bulb not included).

Attached the glass shade to lamp holder.

**ATTENTION:** To avoid the risk of fire, do not exceed the recommended wattage indicated on the wattage label.



# Great job!

Your lamp is complete and ready to enjoy.

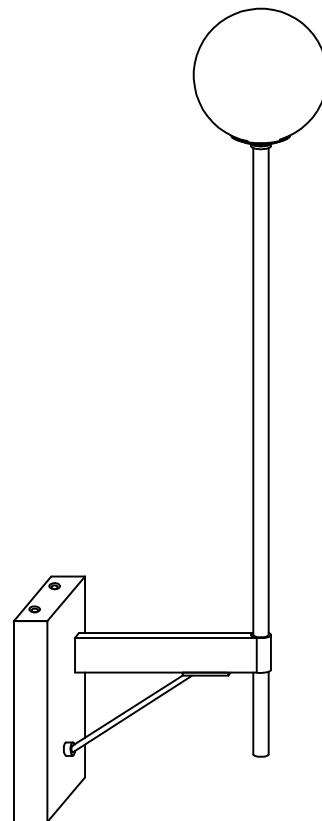
## ♥ CARING FOR YOUR ITEM

Indoor use only.

Not contract grade.

Clean using a non-abrasive cloth and a mild cleaner.

Never use harsh chemicals, as they could damage the finish or integrity of the item.



CONNECT WITH US!   

Tag us @modway\_furniture and #modway for a chance to be featured.