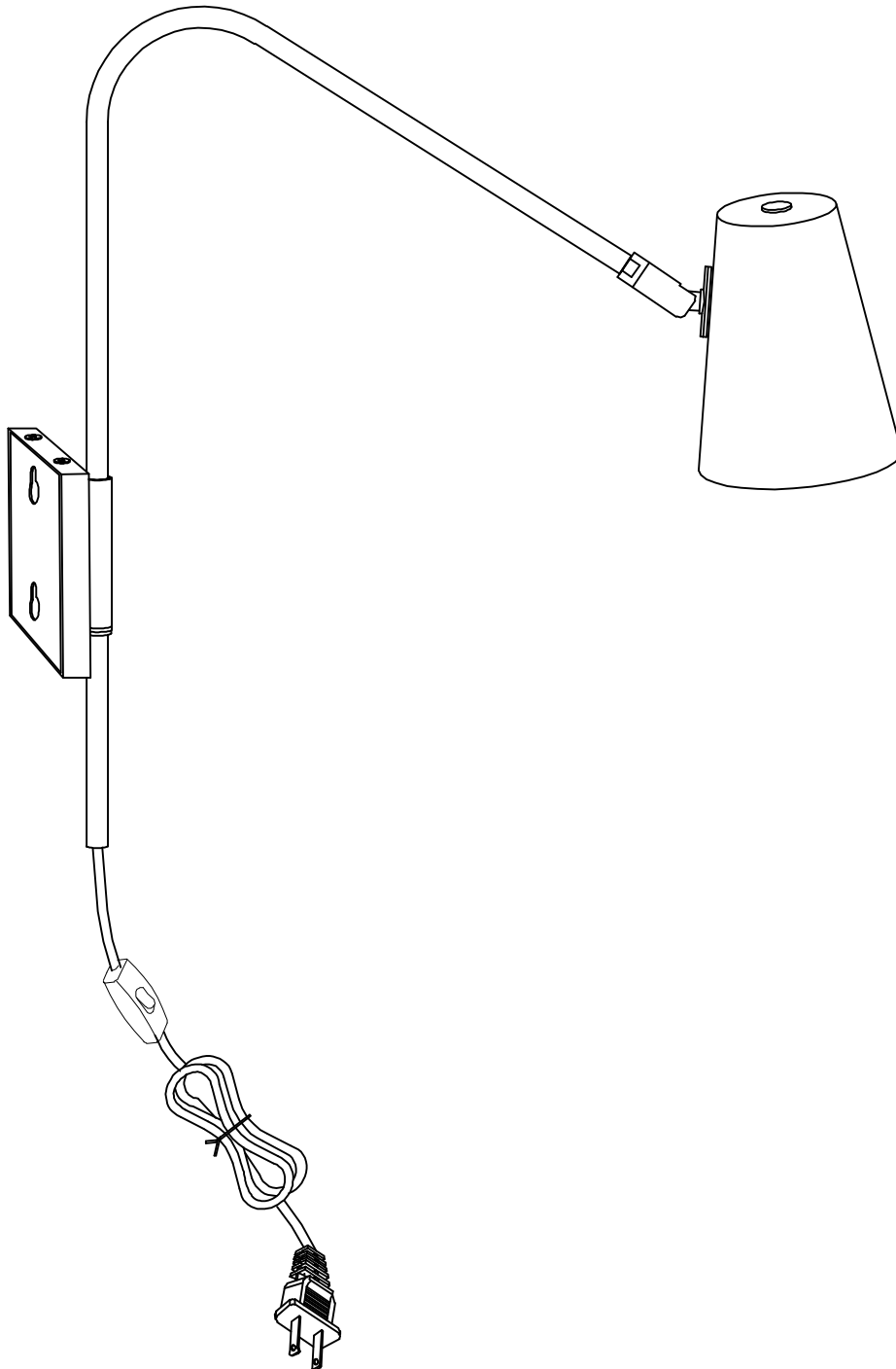


ASSEMBLY INSTRUCTIONS

EEI-6532

V1.07.17.23



Questions? Contact us!

609.256.9000 • cs@modway.com
www.modway.com

*modway

Let's get started!



Read through all of the instructions before starting



Make sure you have all parts and components before discarding any packing materials



For hardwiring installation, we suggest hiring a professional electrician.

Do not over-tighten screws and bolts to avoid stripping the hardware or cracking the item.

Keep all components and packaging out of reach of children or animals to avoid risk of choking or suffocation.

Check all parts and hardware for damage. If the product is damaged, it should not be used.

Assemble your item on a flat, carpeted area, with plenty of space to work. This will prevent damage and scratches to your floors or the item while you're assembling the product.

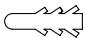

Installation and electrical connections must follow local and National Electric Code standards.

Ensure the main power supply is OFF before starting work to prevent electrical shock.

Allow the fixture to cool before changing the bulb. Fixture may get hot when in use.

We recommend LED bulbs. LEDs are better for energy consumption and can prolong the life of the fixture.

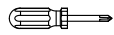
Provided hardware:

A		Drywall Anchor	x2
B		Mounting Screw	x2

What you need:



Phillips



Phillips Head Screwdriver

You may also need:

+ One (1) E26 (medium-base) G50 Light Bulb (MAX. 25W)

+ Power Drill



CARING FOR YOUR ITEM

Indoor use only.

Clean using a non-abrasive cloth and a mild cleaner.

Never use harsh chemicals, as they could damage the finish or integrity of the item.

Wait!

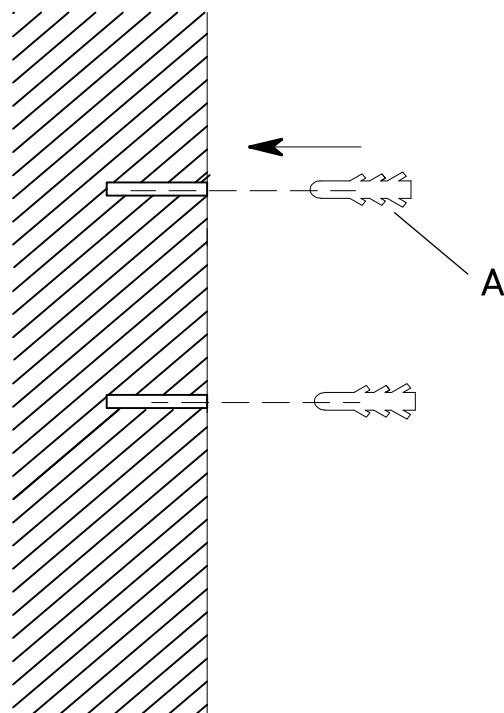
Missing parts or hardware? Need assistance?
Contact us before returning your item. We're here to help!
609.256.9000 • cs@modway.com

Step 1

HARDWARE

A Drywall Anchor x2

Drill 2 holes on vertical line of the wall, the distance of two holes is the same as two big holes of mounting plate, then put 2 **Drywall Anchors (A)** into two holes of the wall.



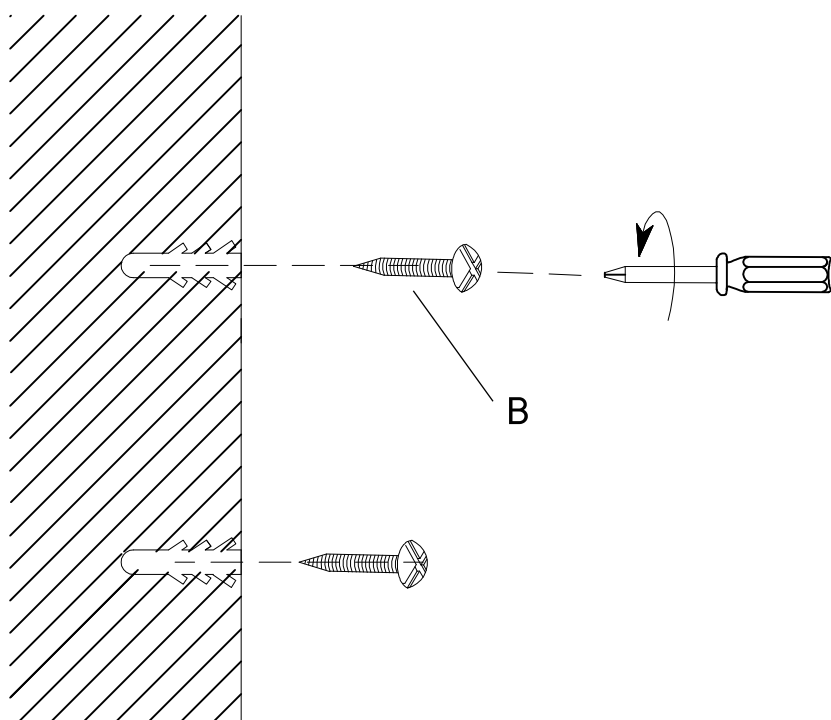
Step 2

HARDWARE

B Mounting Screw x2

Fix 2pcs **Mounting Screws (B)** with 2 **Drywall Anchors (A)** to the wall.

Attention: don't fully fix the **Mounting Screws** inside the wall, let it with around 3mm visible.

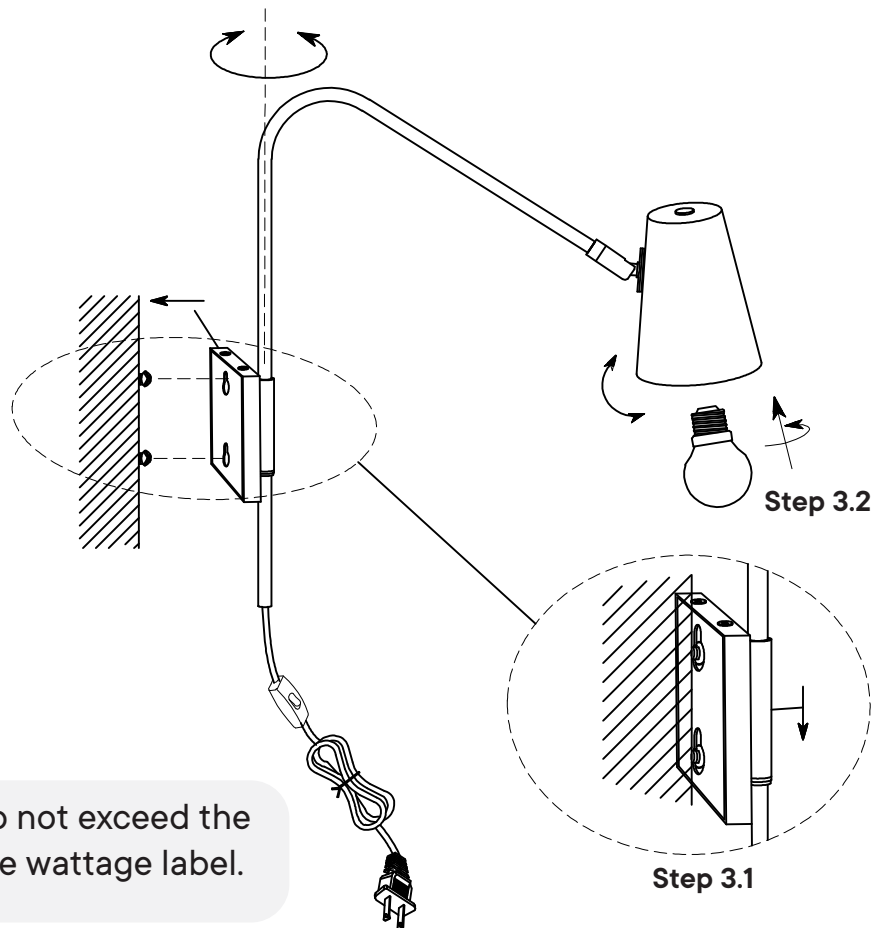


Step 3

Step 3.1 Make the big holes of the mounting plate aim the head of **Mounting Screws (B)**, attached the mounting plate with wall base to the **Mounting Screw (B)**, then push the wall base down to make sure the wall base is fixed firmly.

Step 3.2 Assemble suitable lamp bulb as showed on wattage label (E26, G50, MAX. 25W, bulb not included)

ATTENTION: To avoid the risk of fire, do not exceed the recommended wattage indicated on the wattage label.



Great job!

Your lamp is complete and ready to enjoy.

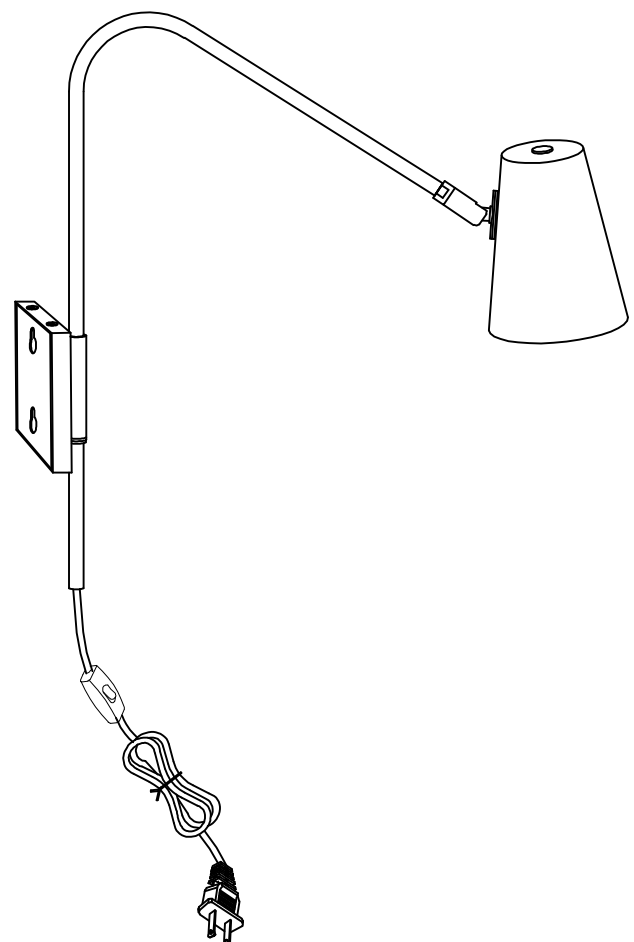
♥ CARING FOR YOUR ITEM

Indoor use only.

Not contract grade.

Clean using a non-abrasive cloth and a mild cleaner.

Never use harsh chemicals, as they could damage the finish or integrity of the item.



CONNECT WITH US!   

Tag us @modway_furniture and #modway for a chance to be featured.