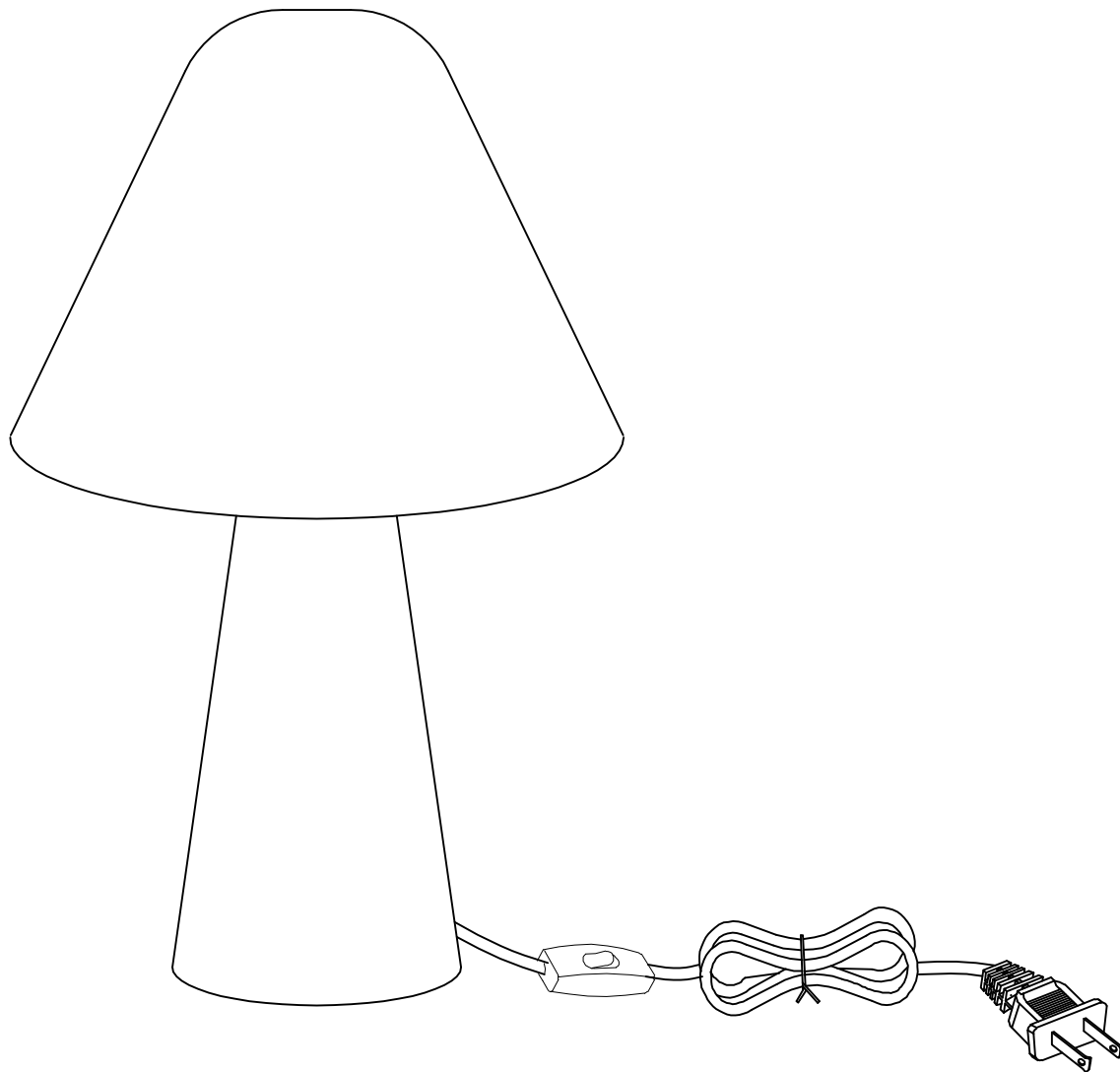


ASSEMBLY INSTRUCTIONS

EEI-6529

V1.07.17.23



Questions? Contact us!

609.256.9000 • cs@modway.com
www.modway.com

*modway

Let's get started!



Read through all of the instructions before starting



Make sure you have all parts and components before discarding any packing materials

Do not over-tighten screws and bolts to avoid stripping the hardware or cracking the item.

Keep all components and packaging out of reach of children or animals to avoid risk of choking or suffocation.

Check all parts and hardware for damage. If the product is damaged, it should not be used.

Assemble your item on a flat, carpeted area, with plenty of space to work. This will prevent damage and scratches to your floors or the item while you're assembling the product.

Installation and electrical connections must follow local and National Electric Code standards.

Ensure the main power supply is OFF before starting work to prevent electrical shock.

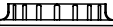

Allow the fixture to cool before changing the bulb. Fixture may get hot when in use.

We recommend LED bulbs. LEDs are better for energy consumption and can prolong the life of the fixture.



For hardwiring installation, we suggest hiring a professional electrician.

Provided hardware:

A		Lamp Socket Ring	x1
B		Metal Frame	x1

You may also need:

+ One (1) E26 (medium-base) Light Bulb (MAX. 40W)

Wait!

Missing parts or hardware? Need assistance?
Contact us before returning your item. We're here to help!
609.256.9000 • cs@modway.com

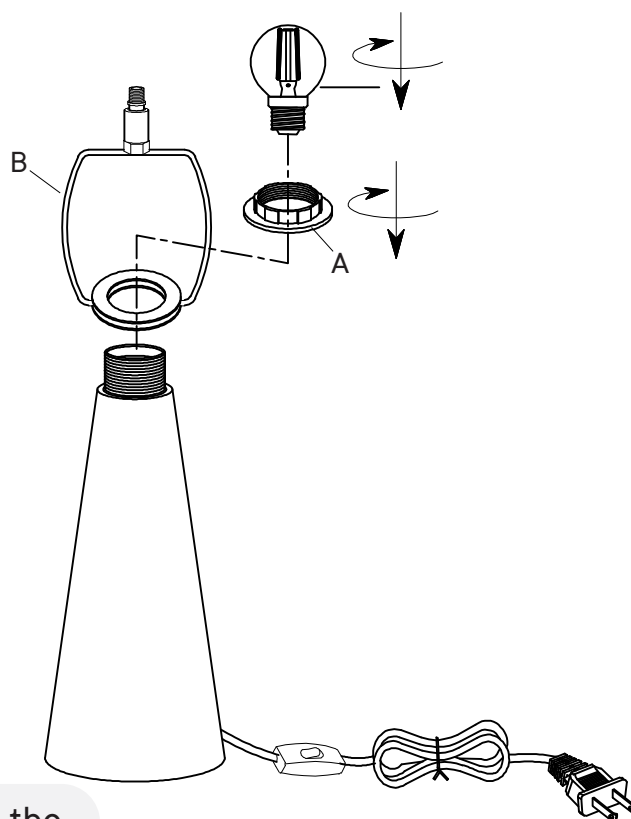
Step 1

HARDWARE

- A** Lamp Socket Ring x1
- B** Metal Frame x1

Place the **Metal Frame (B)** onto the lamp socket and secure it with the **Lamp Socket Ring (A)**.

Install the light bulb according to the wattage label (E26, G50 MAX. 40W, bulb not included).



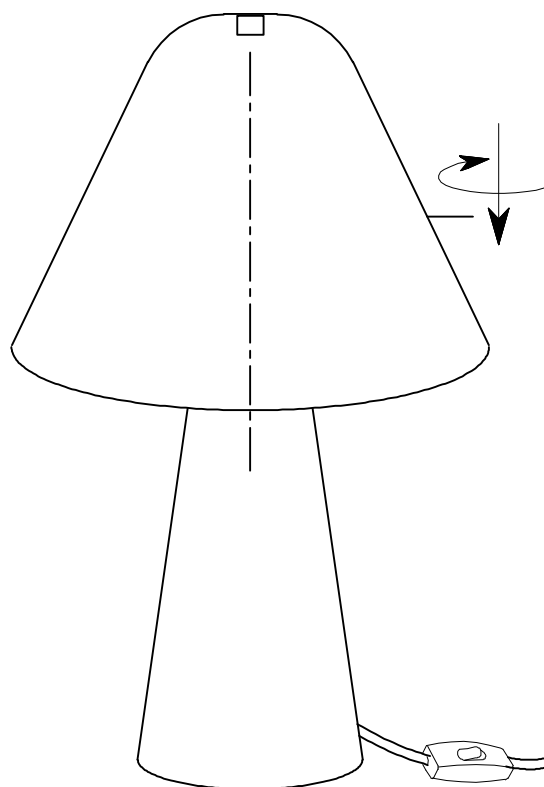
ATTENTION: To avoid the risk of fire, do not exceed the recommended wattage indicated on the wattage label.

Step 2

HARDWARE

- B** Metal Frame x1

Place the lamp shade onto the **Metal Frame (B)**.



Great job!

Your lamp is complete and ready to enjoy.

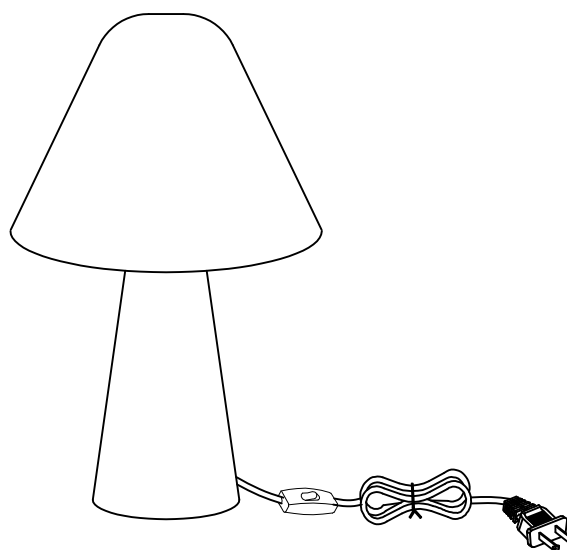
♥ CARING FOR YOUR ITEM

Indoor use only.

Not contract grade.

Clean using a non-abrasive cloth and a mild cleaner.

Never use harsh chemicals, as they could damage the finish or integrity of the item.



CONNECT WITH US!   

Tag us @modway_furniture and #modway for a chance to be featured.