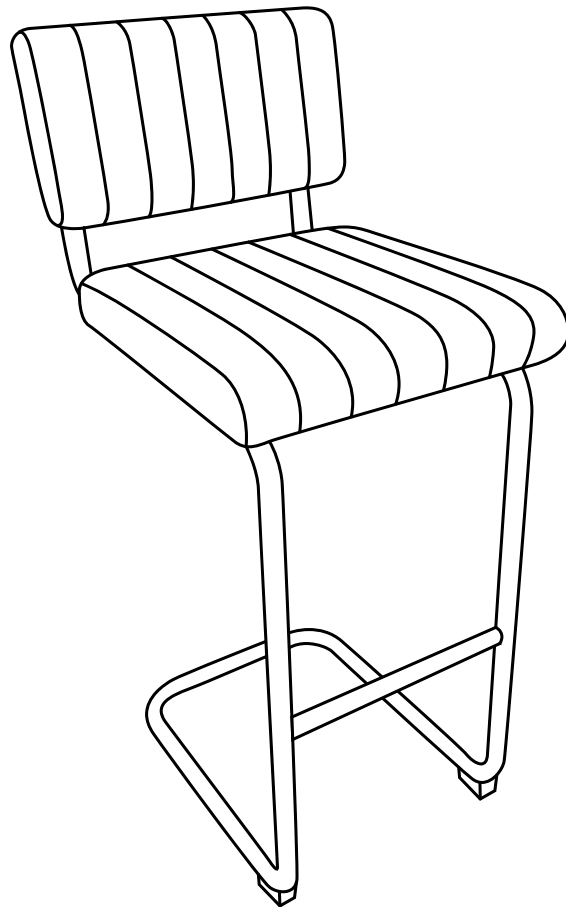


ASSEMBLY INSTRUCTIONS

EEI-6473/6474

V1.01.05.23



Questions? Contact us!

609.256.9000 • cs@modway.com
www.modway.com

*modway



Read through all of the instructions before starting



Care instructions are listed in the last step of this manual



Approx. 30 minutes assembly time



Make sure you have all parts and components before discarding any packing materials



2 people recommended for assembly

Only use hand tools to assemble this item. Do not use power tools. Do not tighten bolts or screws completely until all hardware is lined up and inserted into the holes.

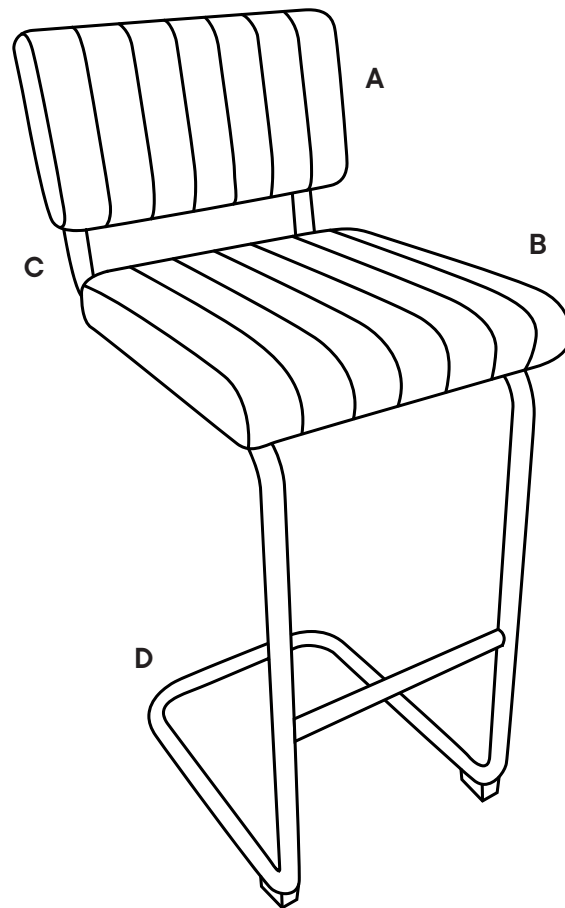
Do not over-tighten screws and bolts to avoid stripping the hardware or cracking the item.

Assemble your item on a flat, carpeted area, with plenty of space to work. This will prevent damage and scratches to your floors or the item while you're assembling the product.


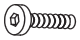




Keep all components and packaging out of reach of children or animals to avoid risk of choking or suffocation.

Furniture components:

A	Back Cushion	x1
B	Seat Cushion	x1
C	Upper Chair Frame	x1
D	Lower Chair Frame	x1



Provided hardware:

E		Bolt M6 x 45mm	x4
F		Bolt M6 x 30mm	x4
G		Bolt M6 x 13mm	x4
H		Allen Wrench	x1
I		Flat Washer M6	x4
J		Spring Washer M6	x4

Wait!

Missing parts or hardware? Need assistance?
Contact us before returning your item. We're here to help!
609.256.9000 • cs@modway.com

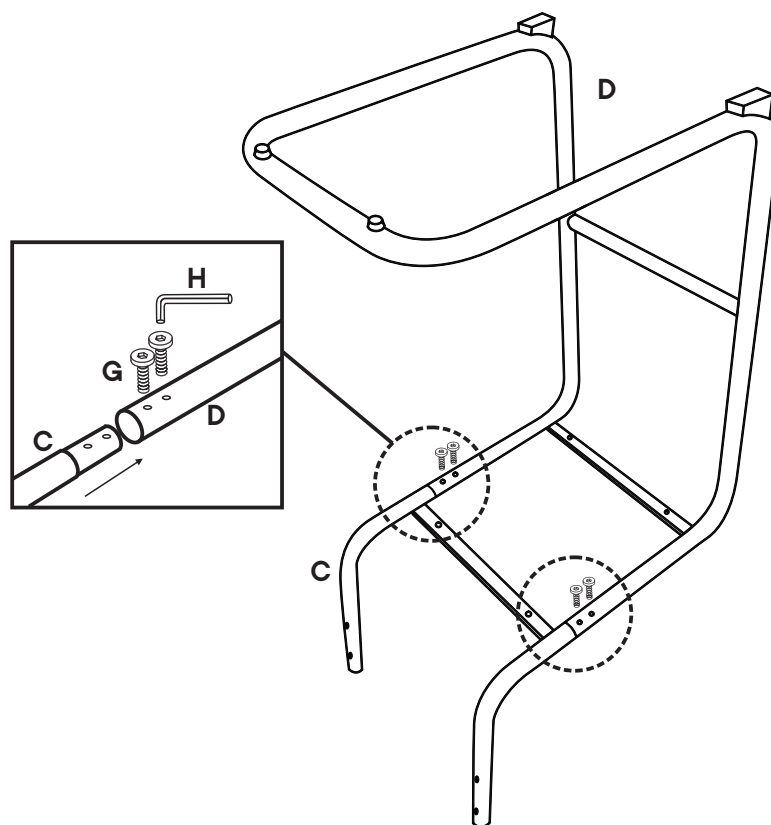
Step 1

COMPONENTS

- C** Upper Chair Frame x1
- D** Lower Chair Frame x1

HARDWARE

- G** Bolt M8 x 13mm x4
- H** Allen Wrench x1



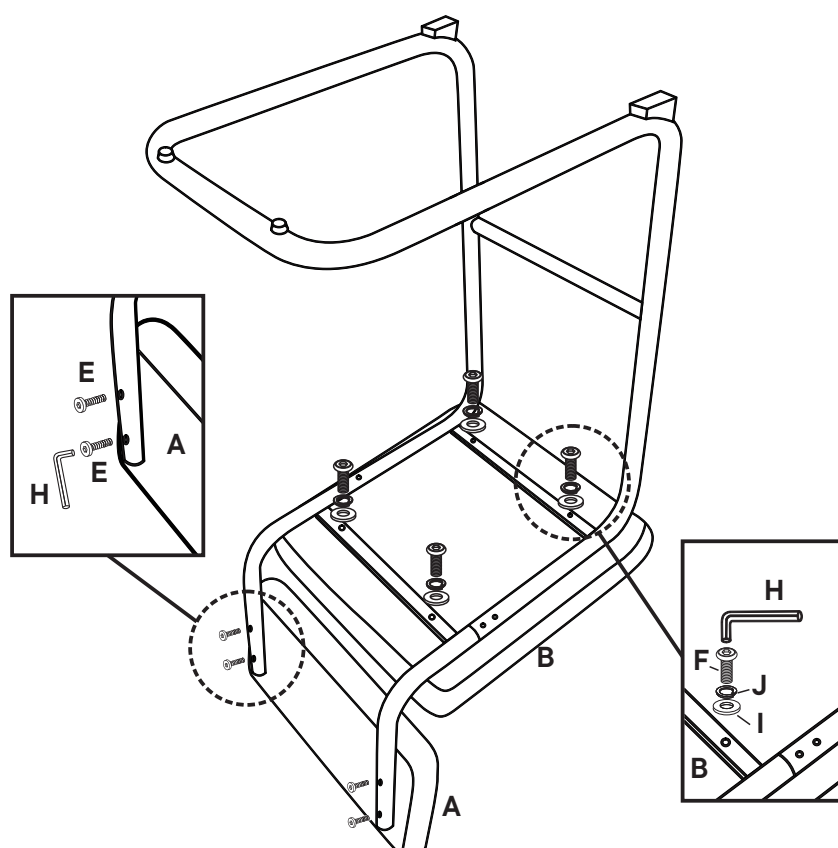
Step 2

COMPONENTS

- A** Back Cushion x1
- B** Seat Cushion x1

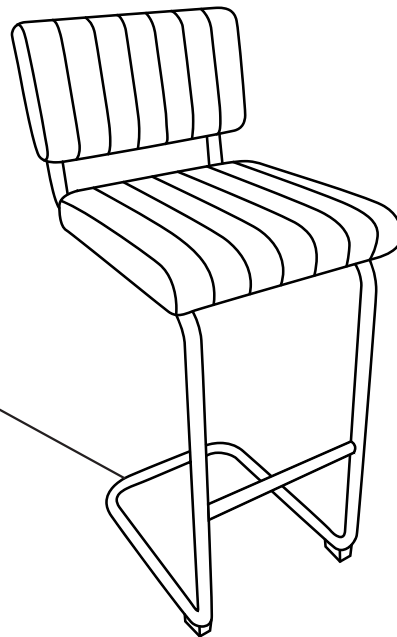
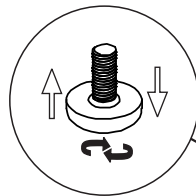
HARDWARE

- E** Bolt M8 x 65mm x4
- F** Spring Washer x4
- H** Allen Wrench x1
- I** Flat Washer M6 x4
- J** Spring Washer M6 x4



Step 3

Notes: If there is un-stable, it may be caused by an uneven floor, which can be adjusted by Leveler.



Great job!

Your barstool is complete and ready to enjoy.

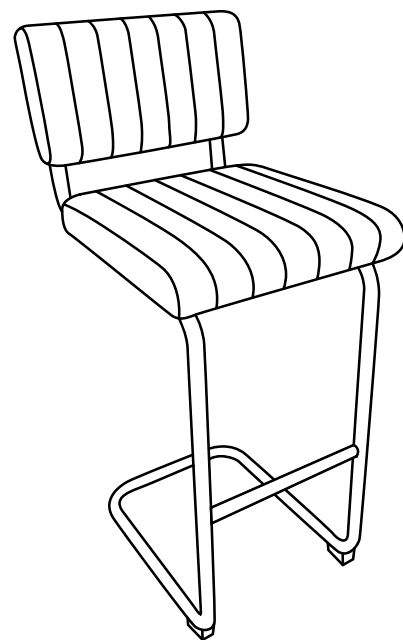
♥ CARING FOR YOUR ITEM

Indoor use only.

Not contract grade.

Clean using a non-abrasive cloth and a mild cleaner.

Never use harsh chemicals, as they could damage the finish or integrity of the item.



CONNECT WITH US!   

Tag us [@modway_furniture](#) and [#modway](#) for a chance to be featured.