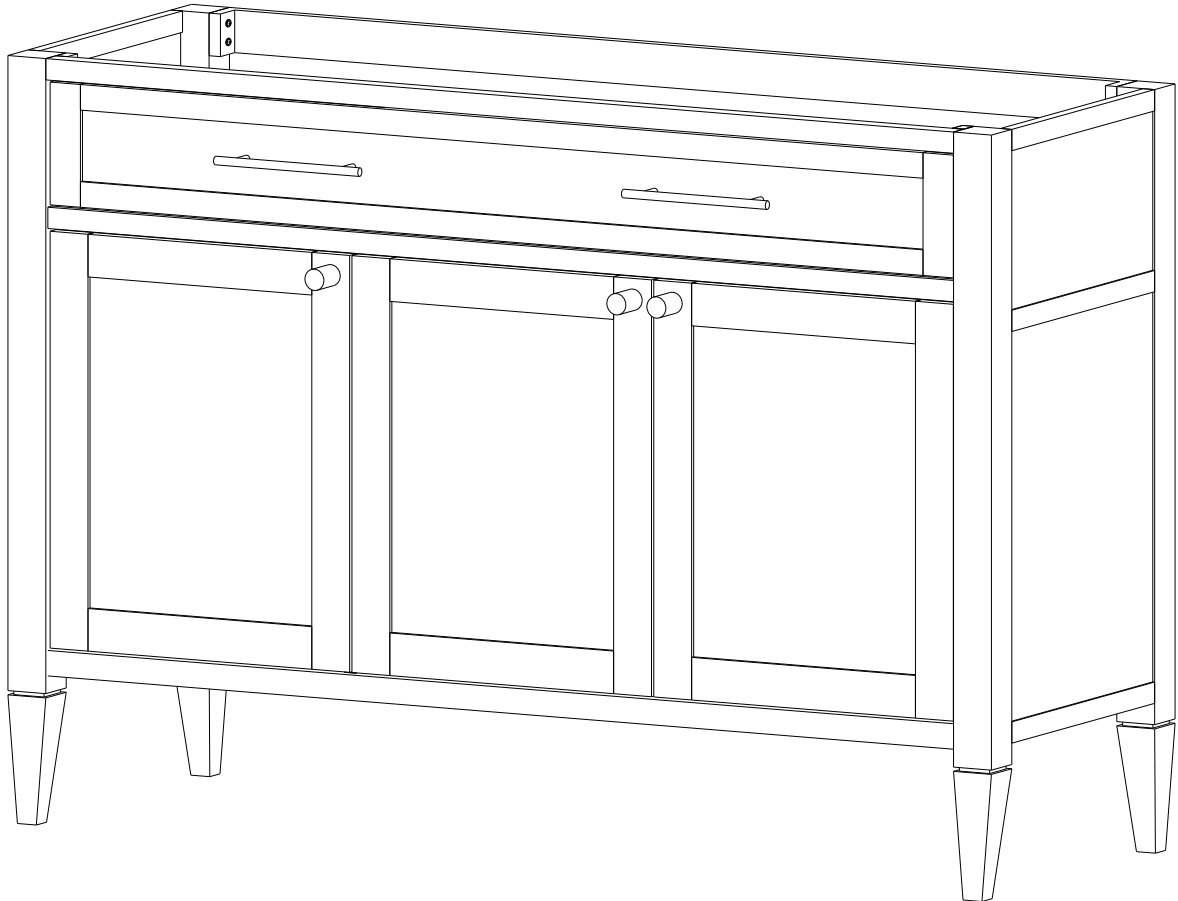


# ASSEMBLY INSTRUCTIONS

# EEI-6140

V1.22.12.22



## Questions? Contact us!

609.256.9000 • [cs@modway.com](mailto:cs@modway.com)  
[www.modway.com](http://www.modway.com)

\*modway

# Let's get started!

\*modway



Read through all of the instructions before starting



Care instructions are listed in the last step of this manual



Approx. 60 minutes assembly time



Make sure you have all parts and components before discarding any packing materials



2 people recommended for assembly

**Only use hand tools to assemble this item.** Do not use power tools. Do not tighten bolts or screws completely until all hardware is lined up and inserted into the holes.

Do not over-tighten screws and bolts to avoid stripping the hardware or cracking the item.

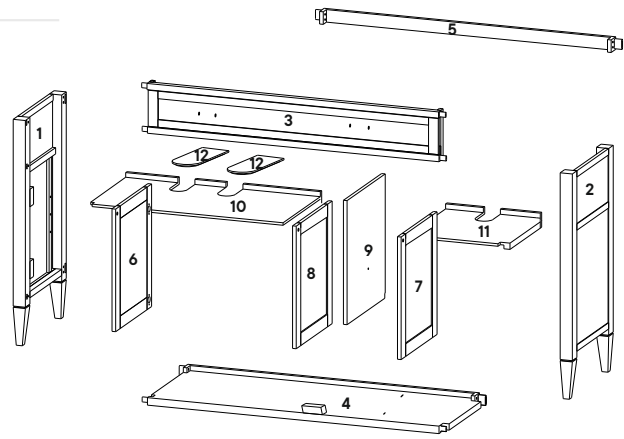
For vanity and plumbing installation, we suggest hiring a professional contractor and plumber.

Assemble your item on a flat, carpeted area, with plenty of space to work. This will prevent damage and scratches to your floors or the item while you're assembling the product.

Keep all components and packaging out of reach of children or animals to avoid risk of choking or suffocation.

## Furniture components:

1	Left Panel	x1	11	Adjustable Small Shelf	x1
2	Right Panel	x1	12	Plumbing Cap	x2
3	Front Panel	x1			
4	Bottom Panel	x1			
5	Back Panel	x1			
6	Left Door	x1			
7	Right Door	x1			
8	Middle Door	x1			
9	Middle Panel	x1			
10	Adjustable Shelf	x1			



## Provided hardware:

A		Bolt M8 x 30mm	x11	I		Screw M4 x 30mm	x3
B		Flat Washer M8	x11	J		Screw M4 x 15mm	x4
C		Allen Key M8	x1	K		Hinge 8°	x2
D		Screw M4 x 16mm	x36	L		Screw M6 x 15mm	x3
E		Shelf Pin	x8	M		Flat Washer M6	x3
F		Hinge 15°	x4	N		Allen Key M6	x1
G		Handle	x2				
H		Knob	x3				

## What you need:

Phillips Head Screwdriver

## You may also need:

- + Power Drill
- + Level
- + Silicone Adhesive or Caulk
- + Drywall Anchors and Screws
- + Other Wall-Mounting Hardware

**Wait!**

Missing parts or hardware? Need assistance?  
Contact us before returning your item. We're here to help!  
609.256.9000 • cs@modway.com

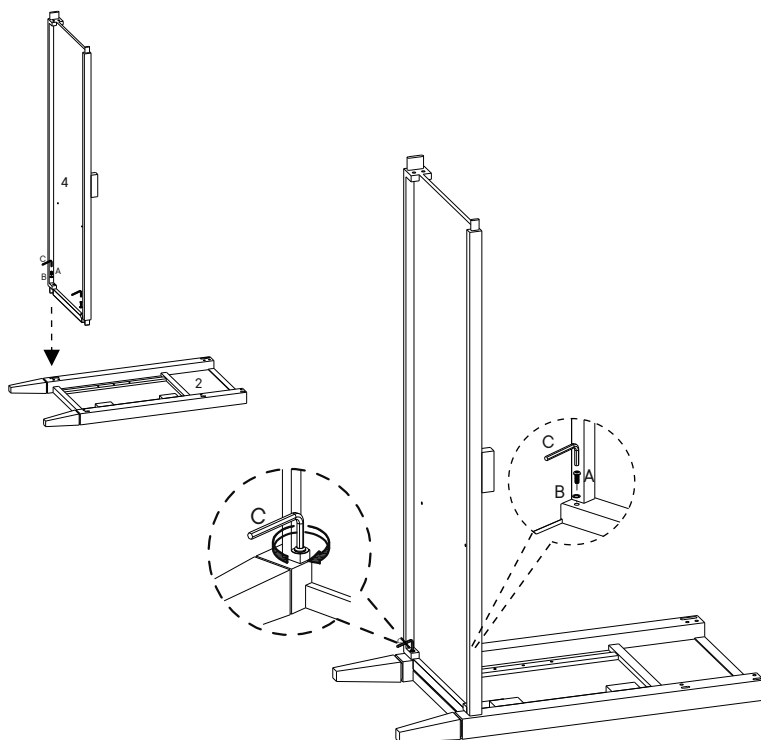
# Step 1

## HARDWARE

<b>A</b>	<b>Bolt M8 x 30mm</b>	<b>x 3</b>
<b>B</b>	<b>Flat Washer M8</b>	<b>x 3</b>
<b>C</b>	<b>Allen Key</b>	<b>x 1</b>

## COMPONENTS

<b>2</b>	<b>Right Panel</b>	<b>x 1</b>
<b>4</b>	<b>Bottom Panel</b>	<b>x 1</b>



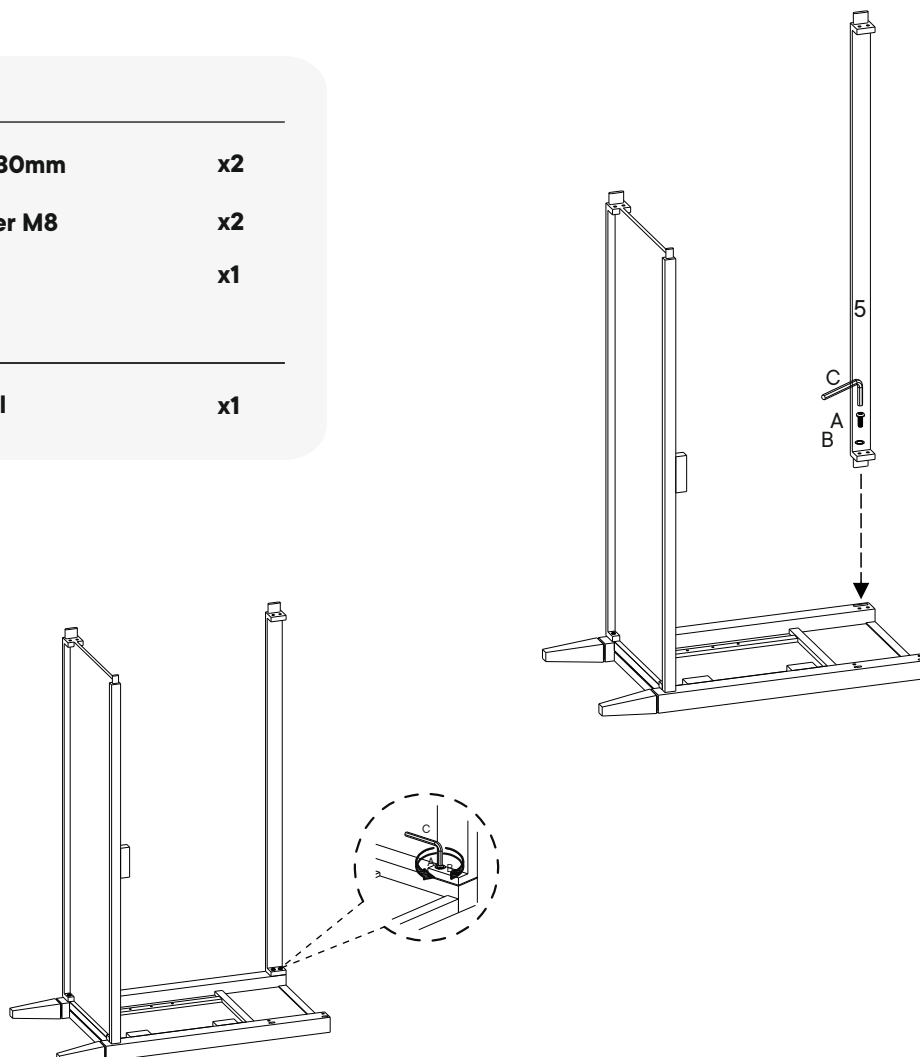
# Step 2

## HARDWARE

<b>A</b>	<b>Bolt M8 x 30mm</b>	<b>x2</b>
<b>B</b>	<b>Flat Washer M8</b>	<b>x2</b>
<b>C</b>	<b>Allen Key</b>	<b>x1</b>

## COMPONENTS

<b>5</b>	<b>Back Panel</b>	<b>x1</b>
----------	-------------------	-----------



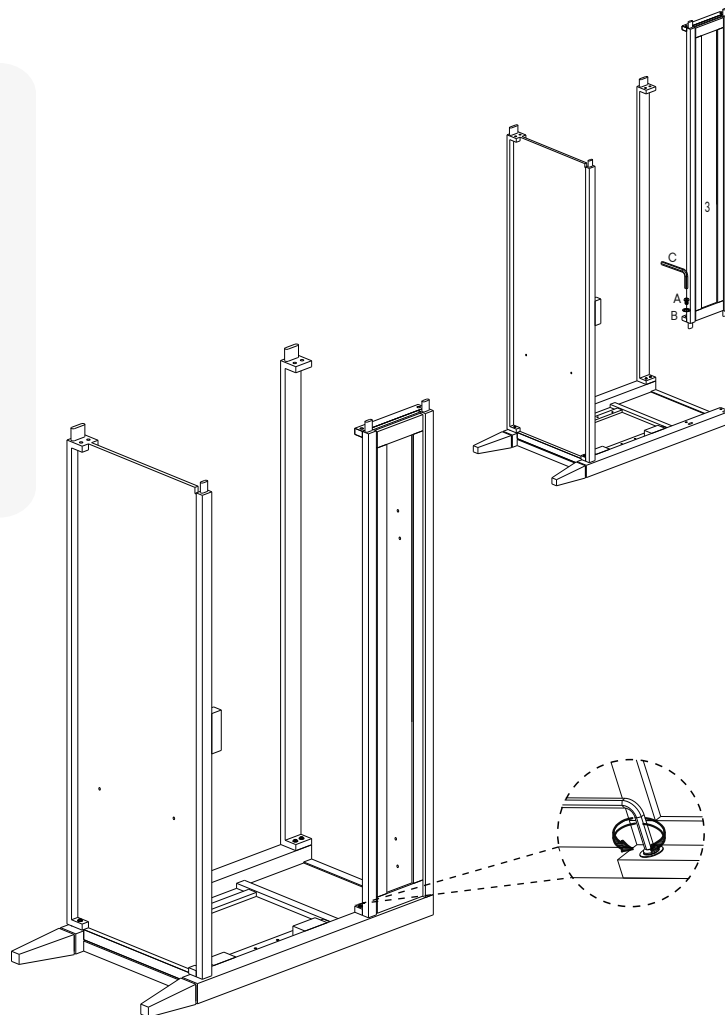
# Step 3

## HARDWARE

- A** Bolt M8 x 30mm x2
- B** Flat Washer M8 x2
- C** Allen Key x1

## COMPONENTS

- 3** Front Panel x1



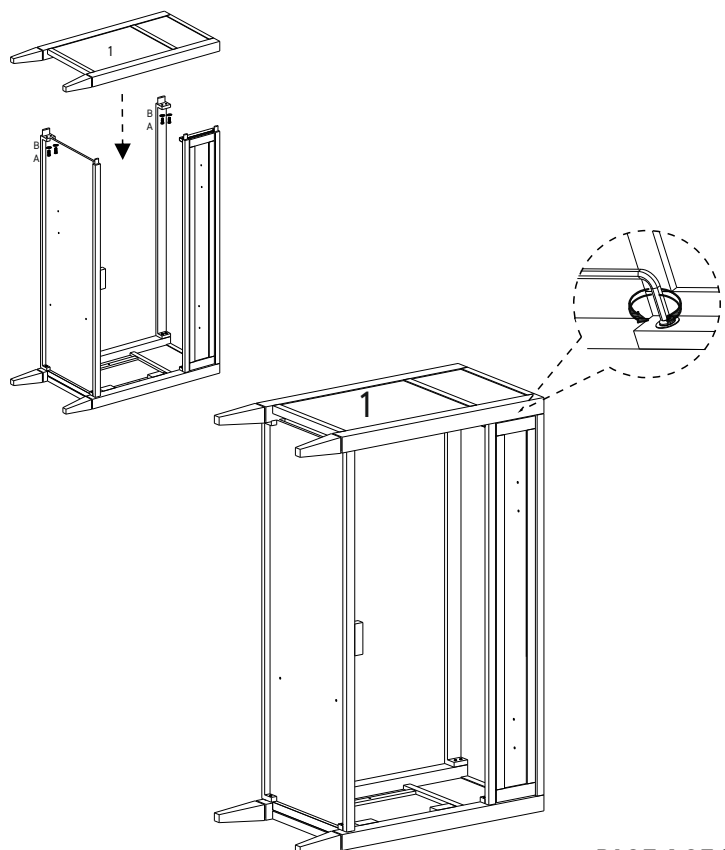
# Step 4

## HARDWARE

- A** Bolt M8 x 30mm x7
- B** Flat Washer M8 x7
- C** Allen Key x1

## COMPONENTS

- 1** Left Panel x1



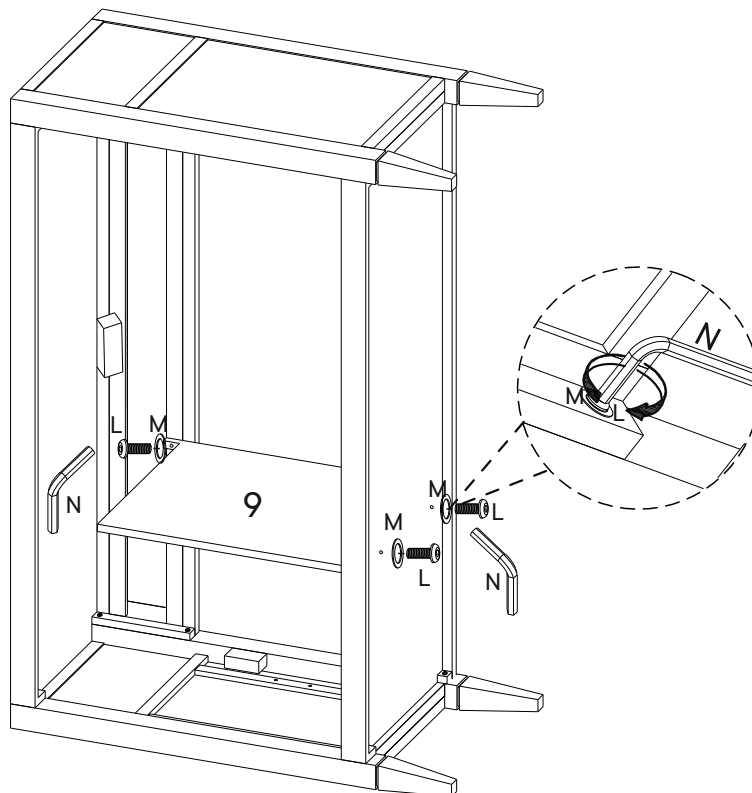
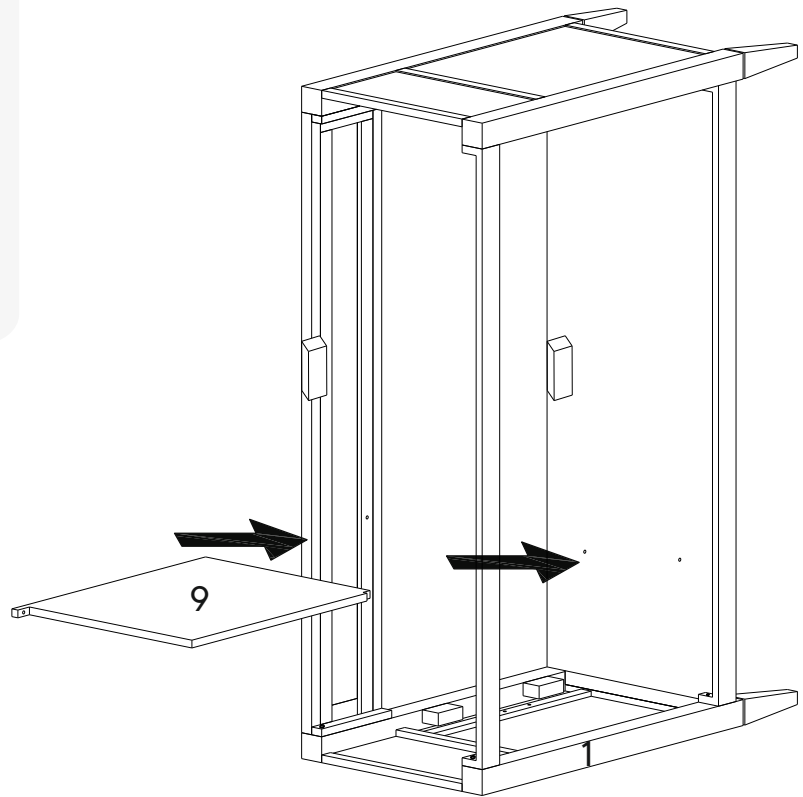
# Step 5

## HARDWARE

- L** Bolt M6 x 30mm x3
- M** Whaser M8 x 16mm x3
- N** Allen Key x1

## COMPONENTS

- 9** Middle Panel x1



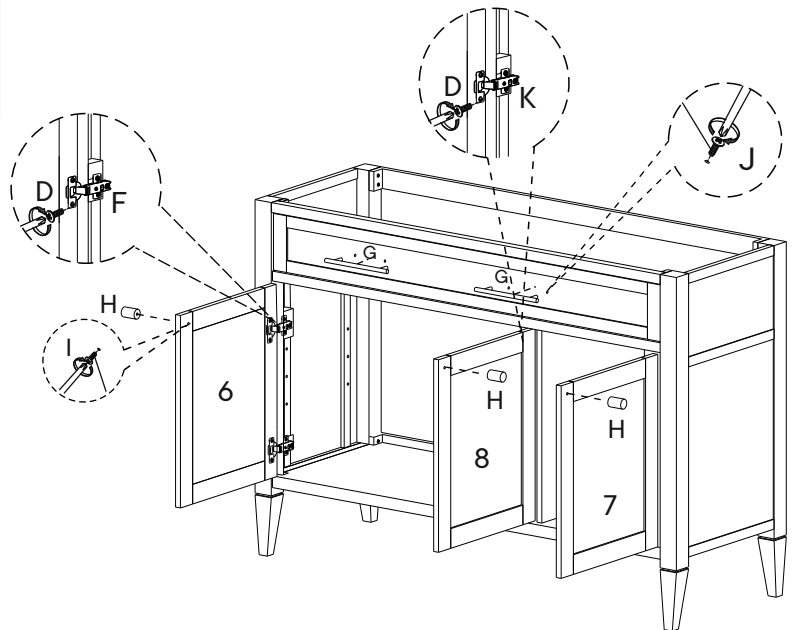
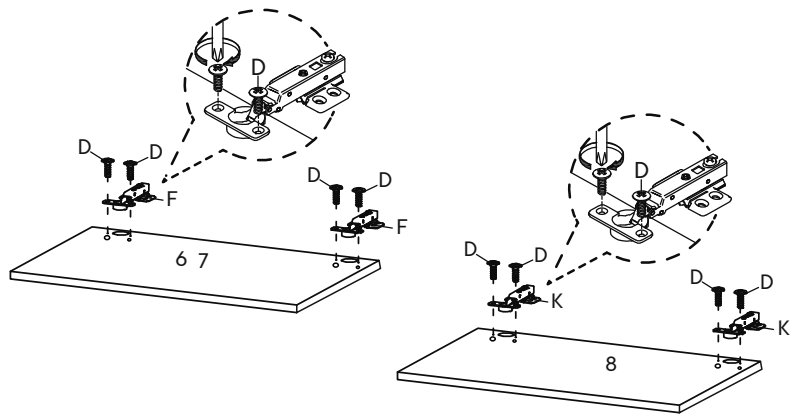
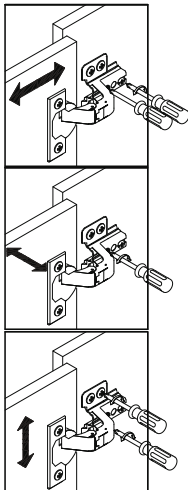
# Step 6

## HARDWARE

<b>D</b>	Screw M4 x 16mm	x36
<b>F</b>	Hinge 15°	x4
<b>G</b>	Handle	x2
<b>H</b>	Knob	x3
<b>I</b>	Screw M4 x 30mm	x3
<b>J</b>	Screw M4 x 15mm	x4
<b>K</b>	Hinge 8°	x2

## COMPONENTS

<b>6</b>	Left Door	x1
<b>7</b>	Right Door	x1
<b>8</b>	Middle Door	x1



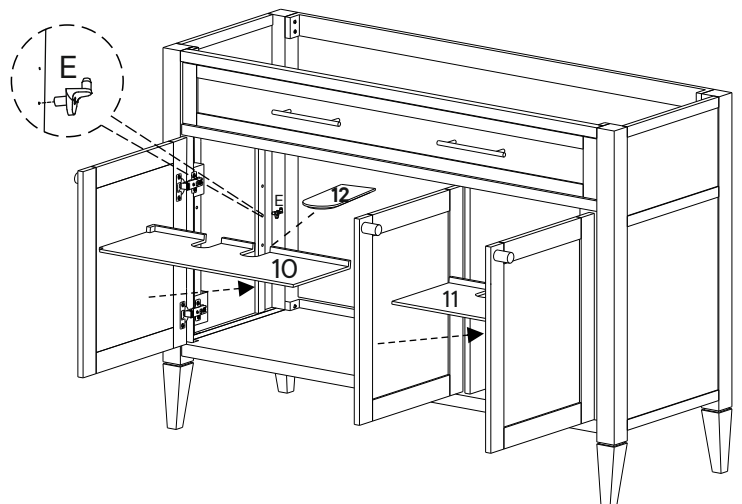
# Step 7

## HARDWARE

<b>E</b>	Shelf Pin	x8
----------	-----------	----

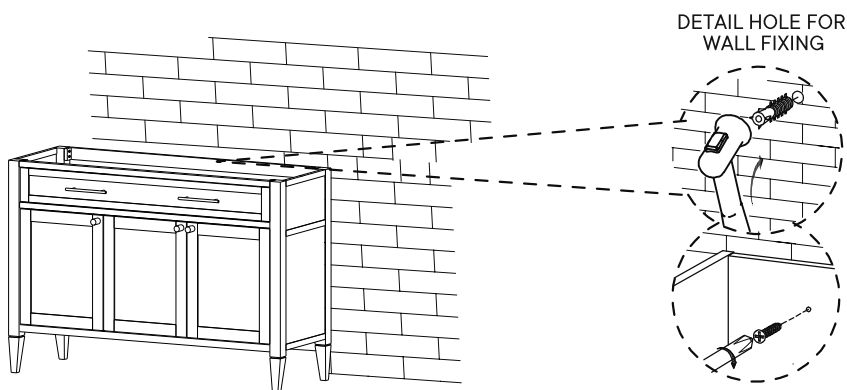
## COMPONENTS

<b>10</b>	Adjustable Shelf	x1
<b>11</b>	Adjustable Small Shelf	x1
<b>12</b>	Plumbing Cap	x2



## Step 8

**Attachment of Furniture:** This furniture may represent a danger for your security if its attachment on the wall has been done in an incorrect way. This attachment must be done by a person with great expertise who will make sure adequacy between the device of fixing and the wall. Please source the right fitting according to the wall type. For safety, it is imperative to fix your furniture to the wall.



DETAIL HOLE FOR WALL FIXING

NOTE:  
Hammer, fisher and screw not included

## Step 9

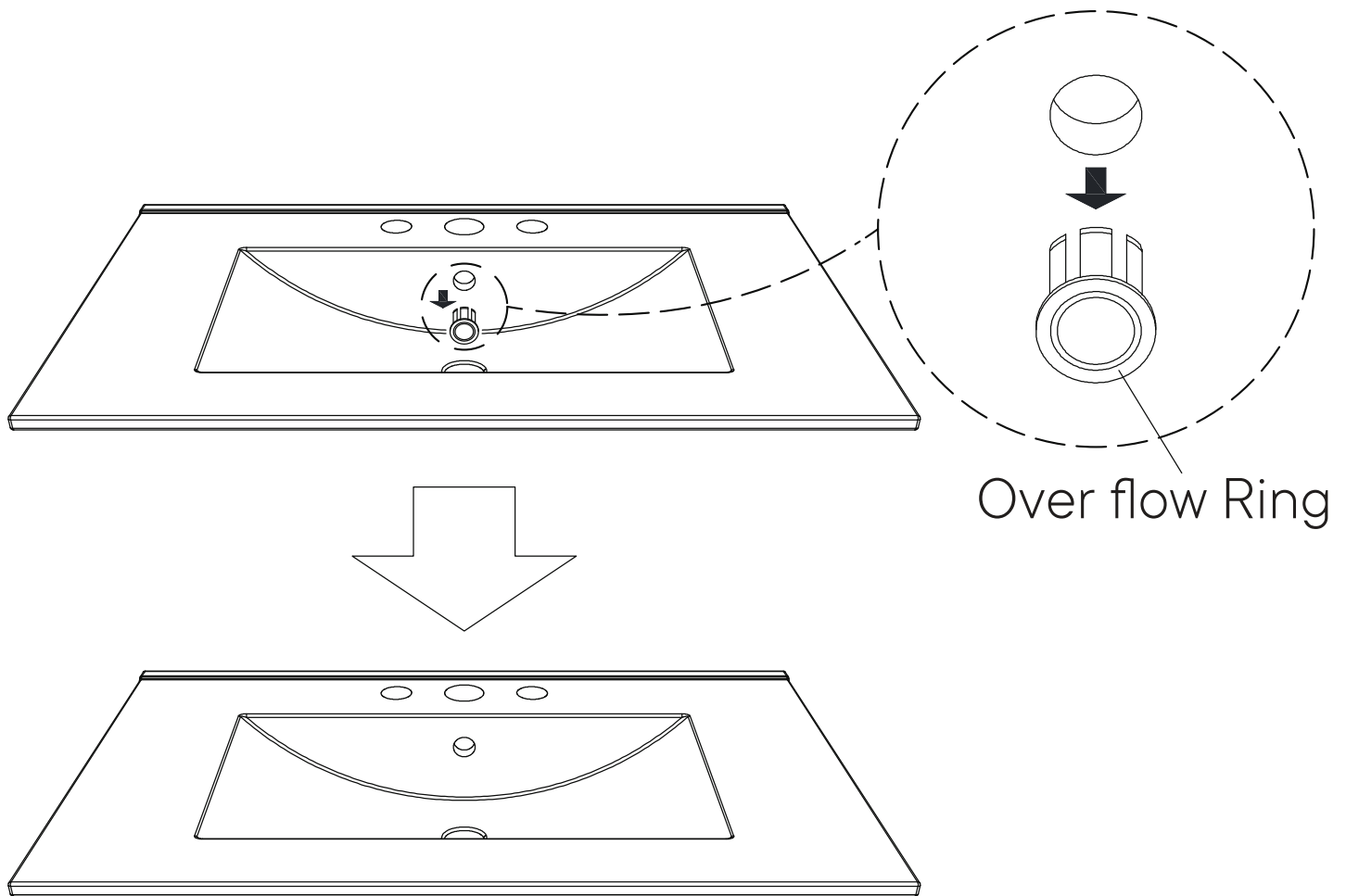
SOLD SEPARATELY



# A quick note...

\*modway

Your sink basin comes complete with a silver overflow ring.  
If you'd like to remove this overflow ring, you can do so by hand.



**Wait!**

**Missing parts or hardware? Need assistance?**

Contact us before returning your item. We're here to help!

609.256.9000 • [cs@modway.com](mailto:cs@modway.com)



# Great job!

Vanity Cabinet assembly is complete.

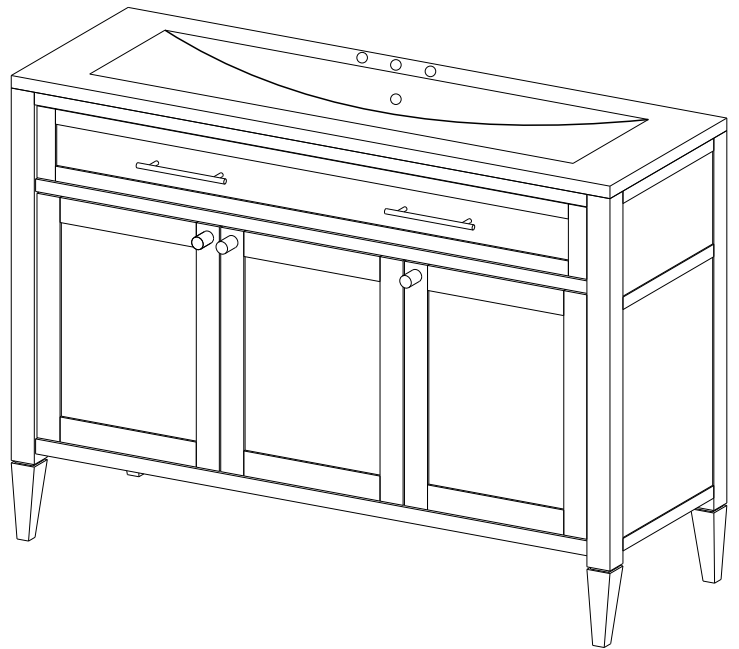
## ♥ CARING FOR YOUR ITEM

Indoor use only.

Not contract grade.

Clean using a non-abrasive cloth and a mild cleaner.

Never use harsh chemicals, as they could damage the finish or integrity of the item.



## CONNECT WITH US!

Tag us **@modway\_furniture** and **#modway** for a chance to be featured.