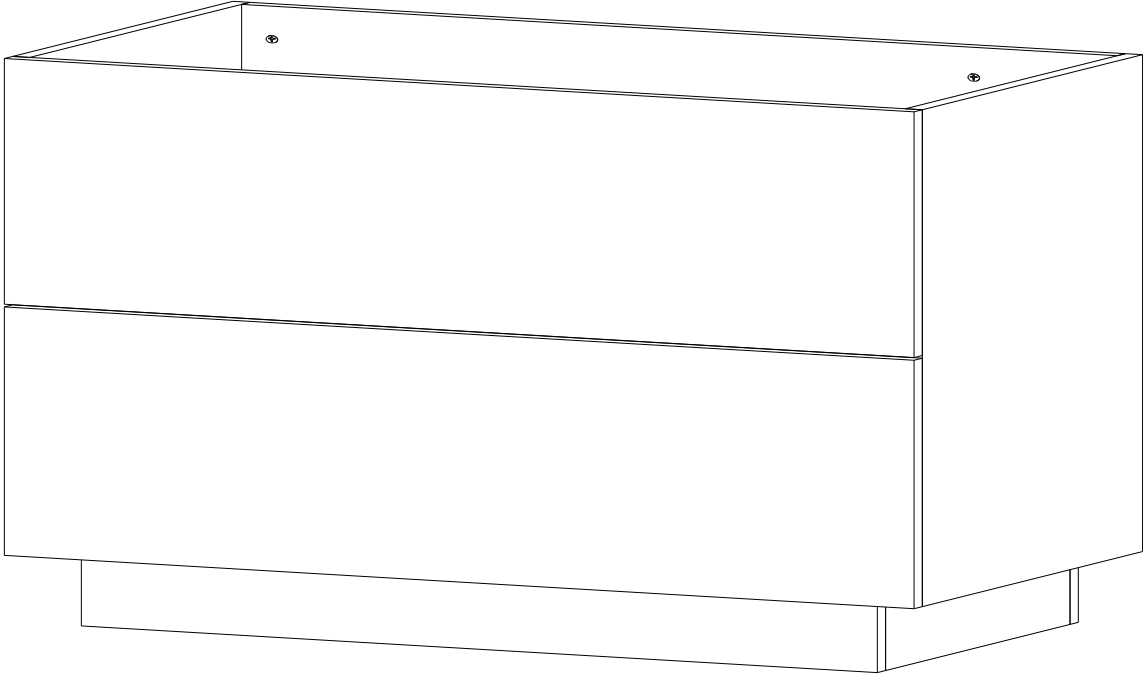


ASSEMBLY INSTRUCTIONS

EEI-6135

V1.22.12.22



Questions? Contact us!

609.256.9000 • cs@modway.com
www.modway.com



Let's get started!

*modway



Read through all of the instructions before starting



Care instructions are listed in the last step of this manual



Approx. 60 minutes assembly time



Make sure you have all parts and components before discarding any packing materials



2 people recommended for assembly

Only use hand tools to assemble this item. Do not use power tools. Do not tighten bolts or screws completely until all hardware is lined up and inserted into the holes.

Do not over-tighten screws and bolts to avoid stripping the hardware or cracking the item.

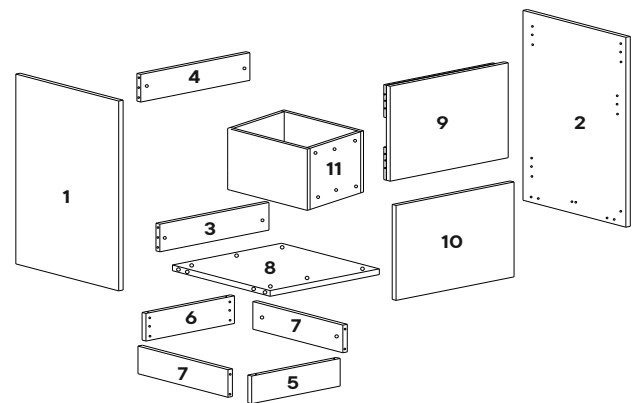
For vanity and plumbing installation, we suggest hiring a professional contractor and plumber.

Assemble your item on a flat, carpeted area, with plenty of space to work. This will prevent damage and scratches to your floors or the item while you're assembling the product.

Keep all components and packaging out of reach of children or animals to avoid risk of choking or suffocation.

Furniture components:

1	Left Panel	x1	8	Base Top Panel	x1
2	Right Panel	x1	9	Front Panel	x1
3	Back Bottom Panel	x1	10	Drawer Front Panel	x1
4	Back Top Panel	x1	11	Drawer	x1
5	Front Side Base Panel	x1			
6	Back Side Base Panel	x1			
7	Side Base Panel	x2			



Provided hardware:

A		Cam Bolt M6 x 35mm	x17
B		Wood Dowel M8 x 30mm	x30
C		Cam Lock M15	x17
D		Allen Bolt M6 x 25mm	x6
E		Allen Bolt M6 x 30mm	x5
F		Allen Key	x1
G		Quadro Drawer Channel	x2
H		Leveler M6 x 20mm	x4
I		Screw M4.5 x 16mm	x6

What you need:



Phillips



Phillips Head Screwdriver

You may also need:

- + Power Drill
- + Level
- + Silicone Adhesive or Caulk
- + Drywall Anchors and Screws
- + Other Wall-Mounting Hardware

Wait!

Missing parts or hardware? Need assistance?
Contact us before returning your item. We're here to help!
609.256.9000 • cs@modway.com

Step 1

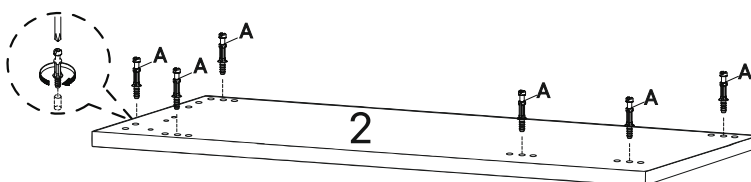
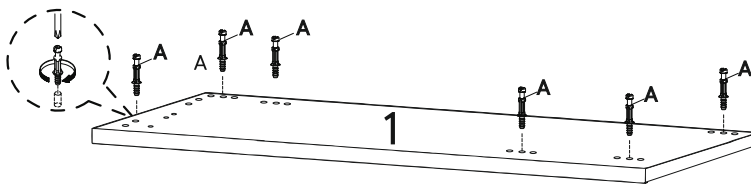
HARDWARE

A Cam Bolt M6 x 35mm x12

COMPONENTS

1 Left Side Panel x1

2 Right Side Panel x1



Step 2

HARDWARE

A Cam Bolt M6 x 35mm x5

B Wood Dowel M8 x 30mm x30

COMPONENTS

3 Back Bottom Panel x1

4 Back Top Panel x1

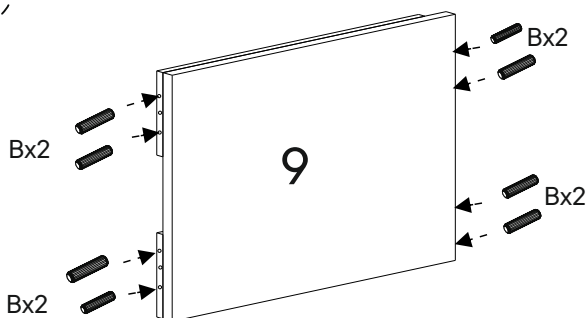
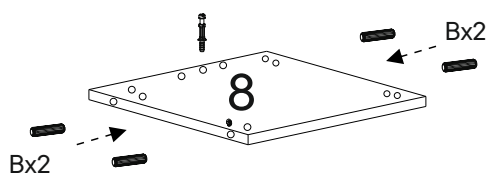
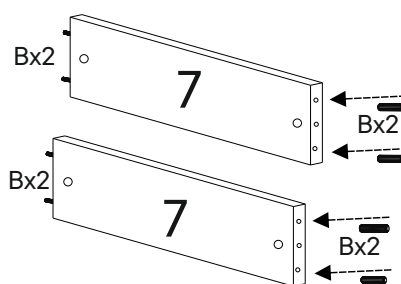
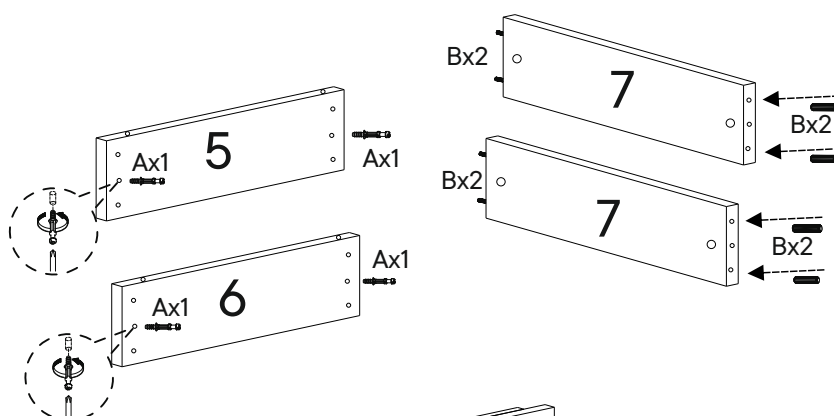
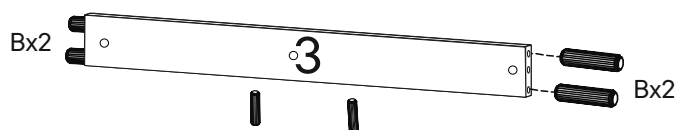
5 Front Side Base Panel x1

6 Back Side Base Panel x1

7 Side Base Panel x2

8 Base Top Panel x1

9 Front Panel x1



Step 3

Hardware

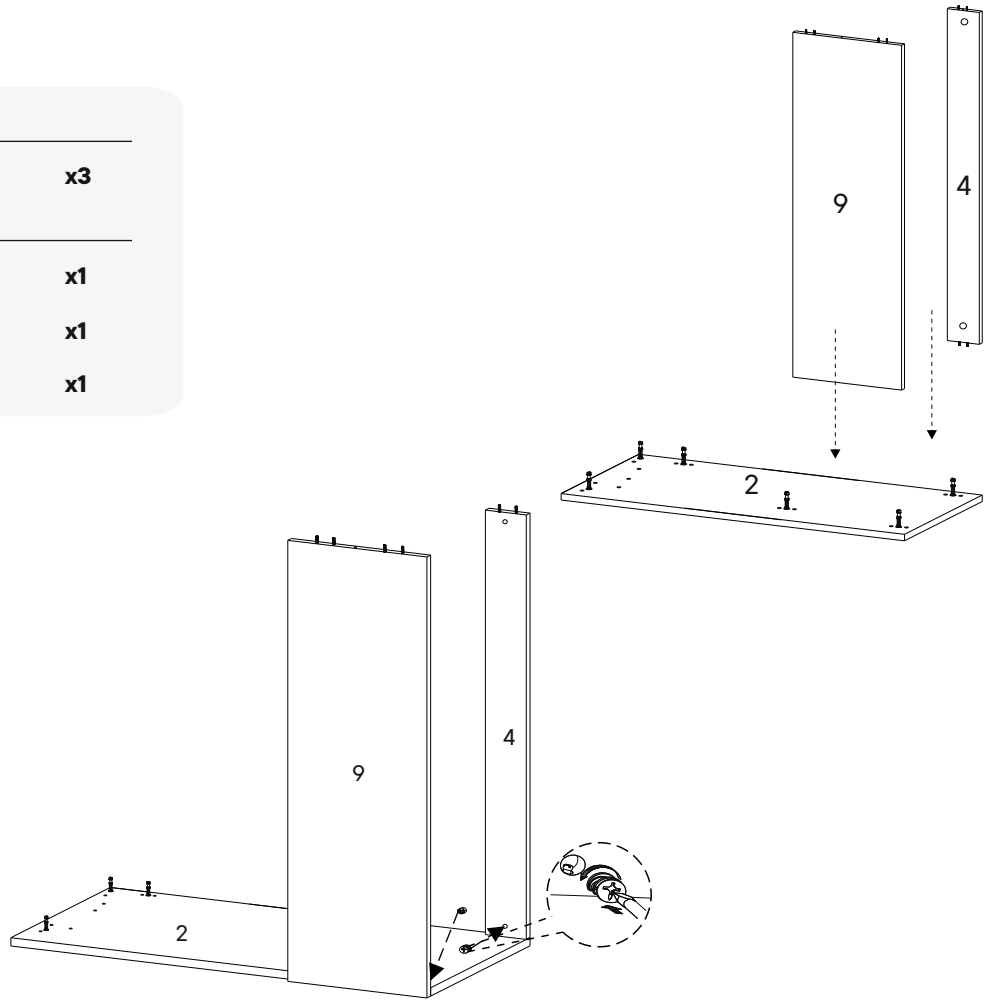
C Cam Lock M15 x3

COMPONENTS

2 Right Panel x1

4 Back Top Panel x1

9 Front Panel x1



Step 4

HARDWARE

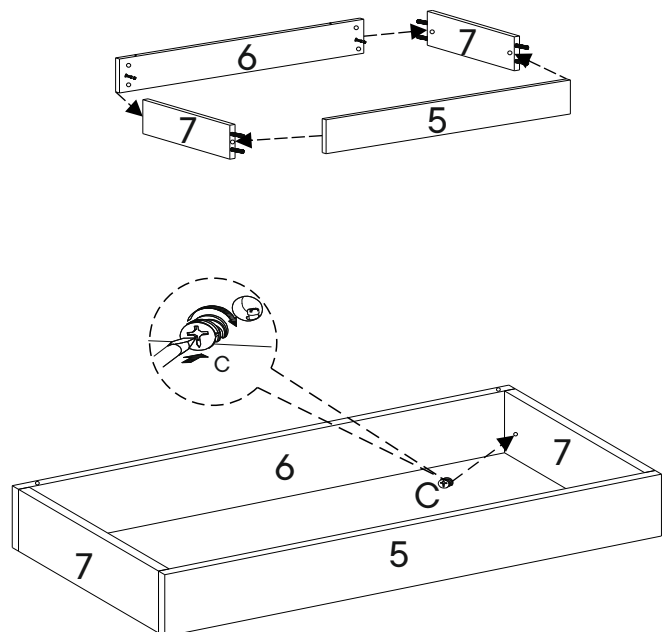
C Cam Lock M15 x4

COMPONENTS

5 Front Side Base Panel x1

6 Back Side Base Panel x1

7 Side Base Panel x2



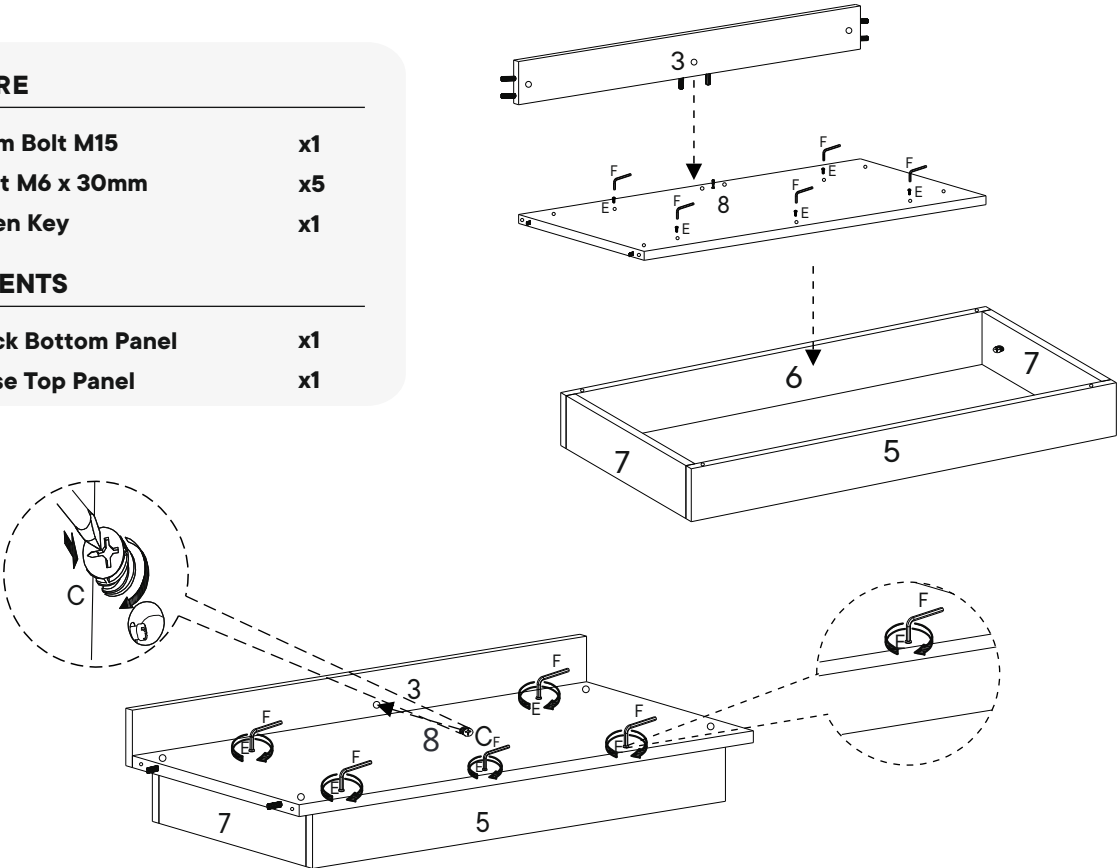
Step 5

HARDWARE

- C** Cam Bolt M15 x1
- E** Bolt M6 x 30mm x5
- F** Allen Key x1

COMPONENTS

- 3** Back Bottom Panel x1
- 8** Base Top Panel x1



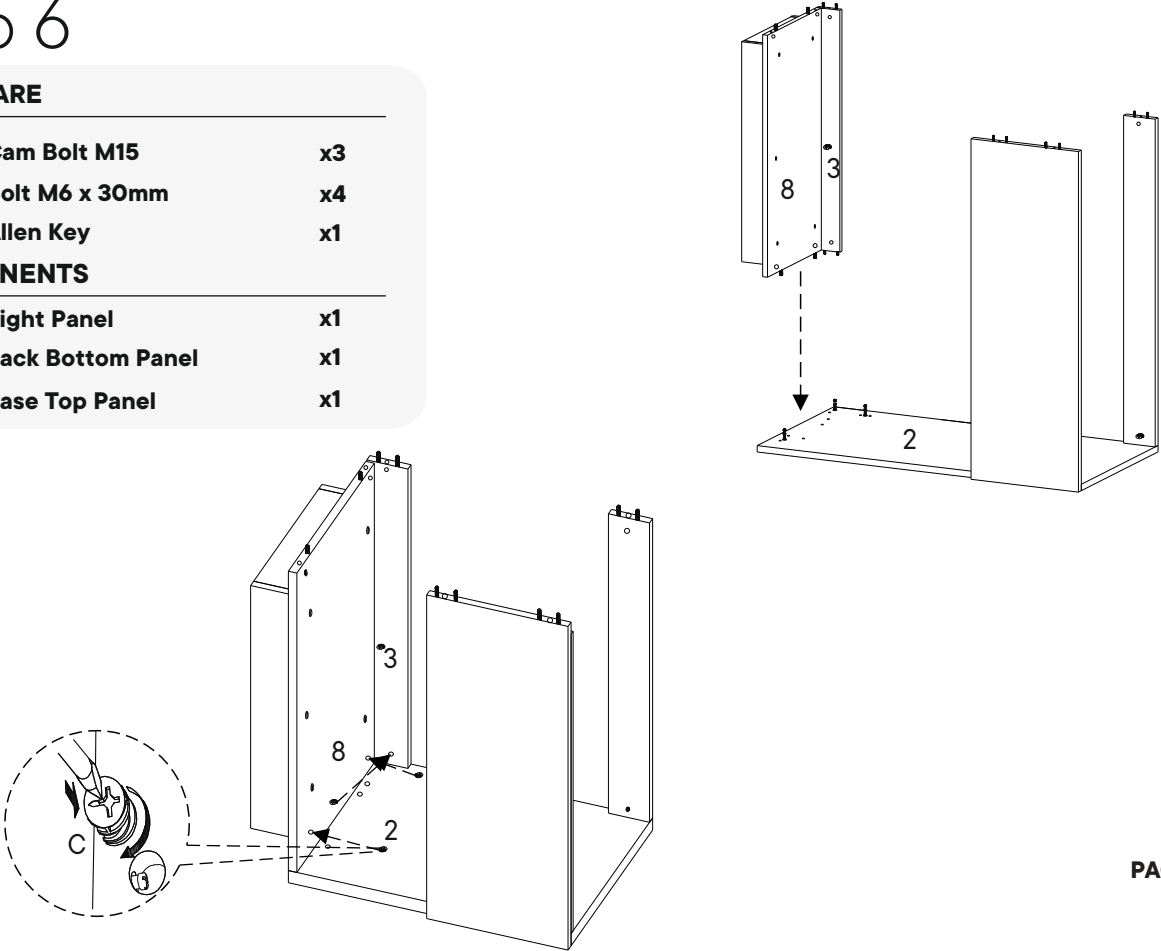
Step 6

HARDWARE

- C** Cam Bolt M15 x3
- E** Bolt M6 x 30mm x4
- F** Allen Key x1

COMPONENTS

- 2** Right Panel x1
- 3** Back Bottom Panel x1
- 8** Base Top Panel x1



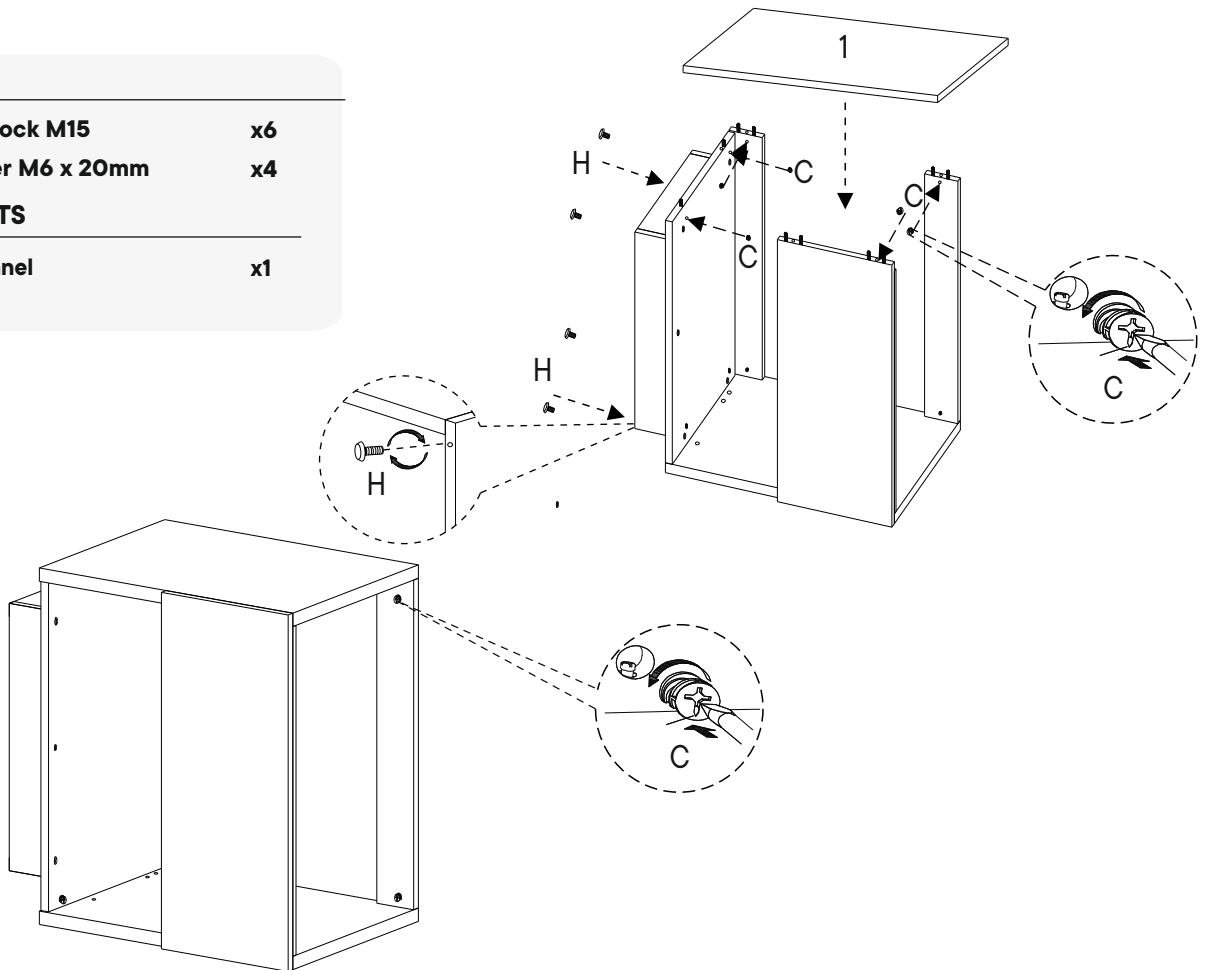
Step 7

HARDWARE

- C** Cam Lock M15 x6
- H** Leveler M6 x 20mm x4

COMPONENTS

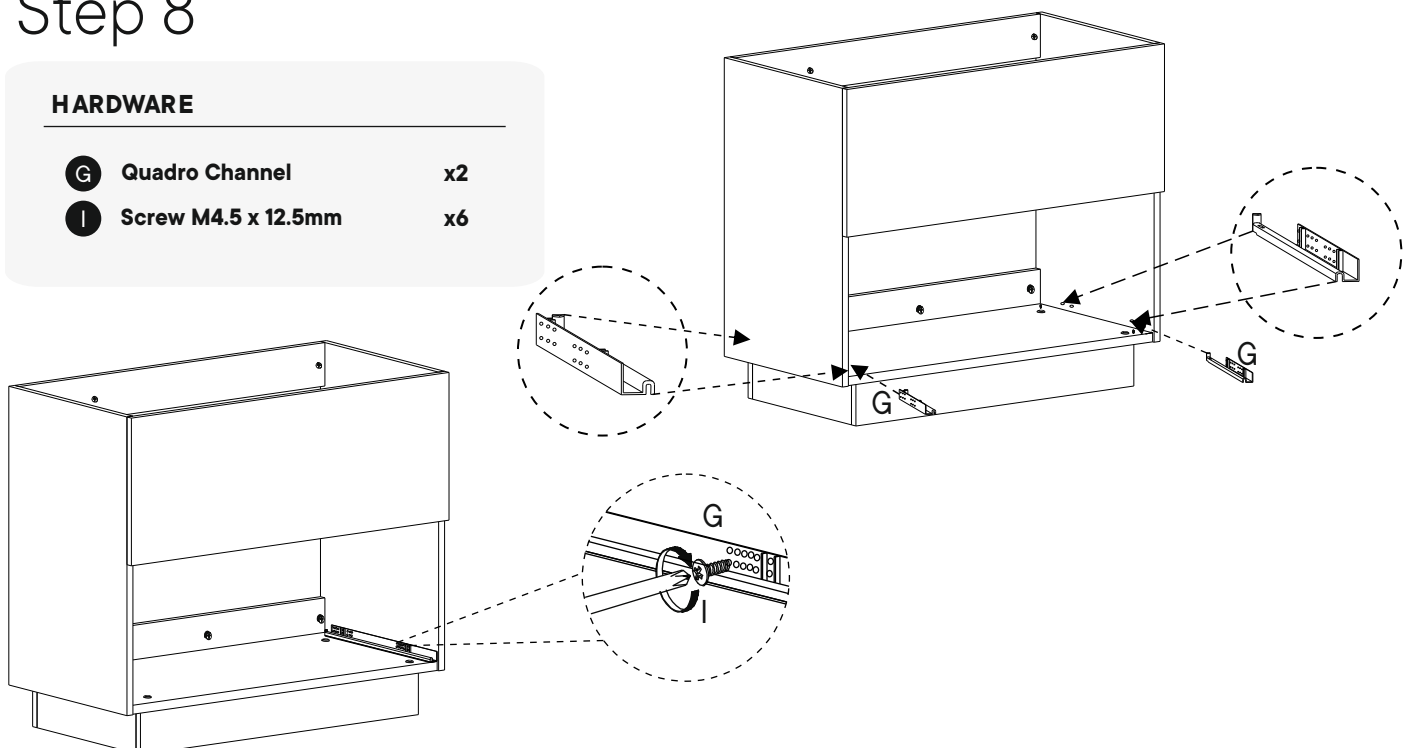
- 1** Left Panel x1



Step 8

HARDWARE

- G** Quadro Channel x2
- I** Screw M4.5 x 12.5mm x6



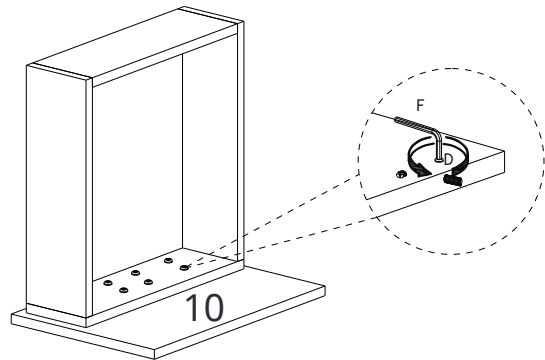
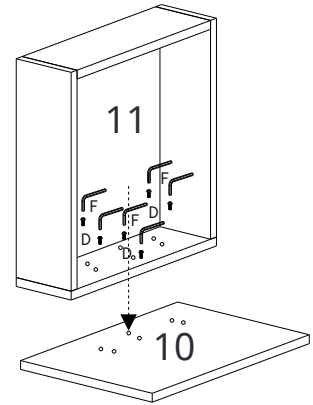
Step 9

HARDWARE

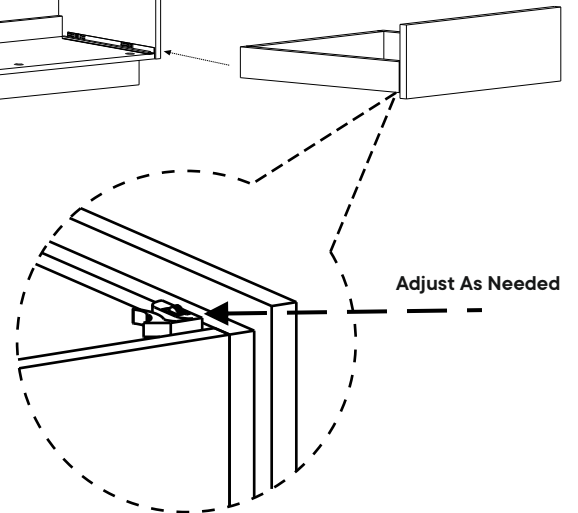
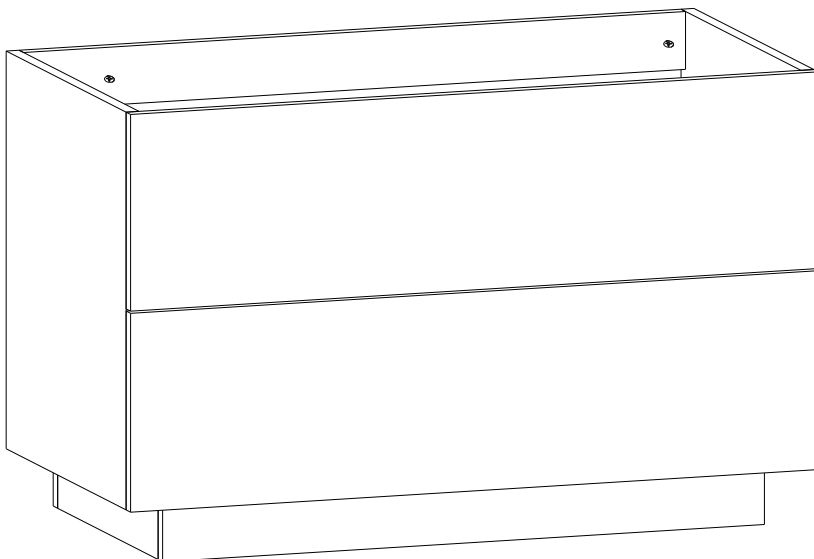
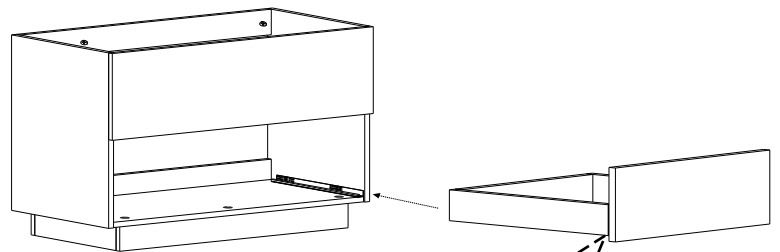
- D** Bolt M6 x 25mm x6
- F** Allen Key x1

COMPONENTS

- 11** Drawer Front Panel x1
- 12** Drawer x1

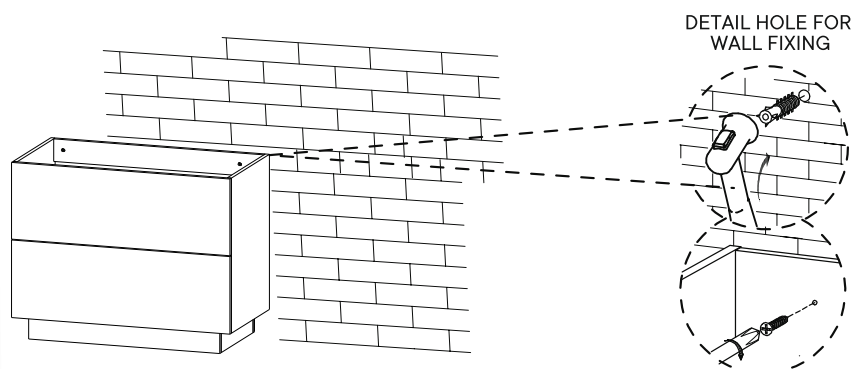


Step 10



Step 11

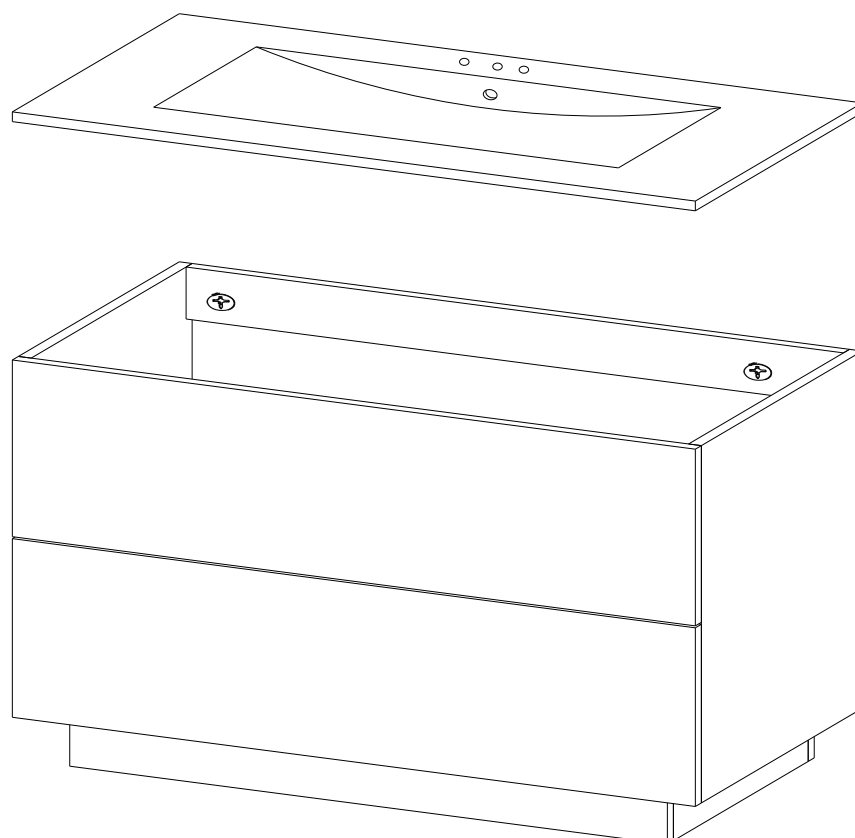
Attachment of Furniture: This furniture may represent a danger for your security if its attachment on the wall has been done in an incorrect way. This attachment must be done by a person with great expertise who will make sure adequacy between the device of fixing and the wall. Please source the right fitting according to the wall type. For safety, it is imperative to fix your furniture to the wall.



NOTE :
Hammer, fisher and screw
not included

Step 12

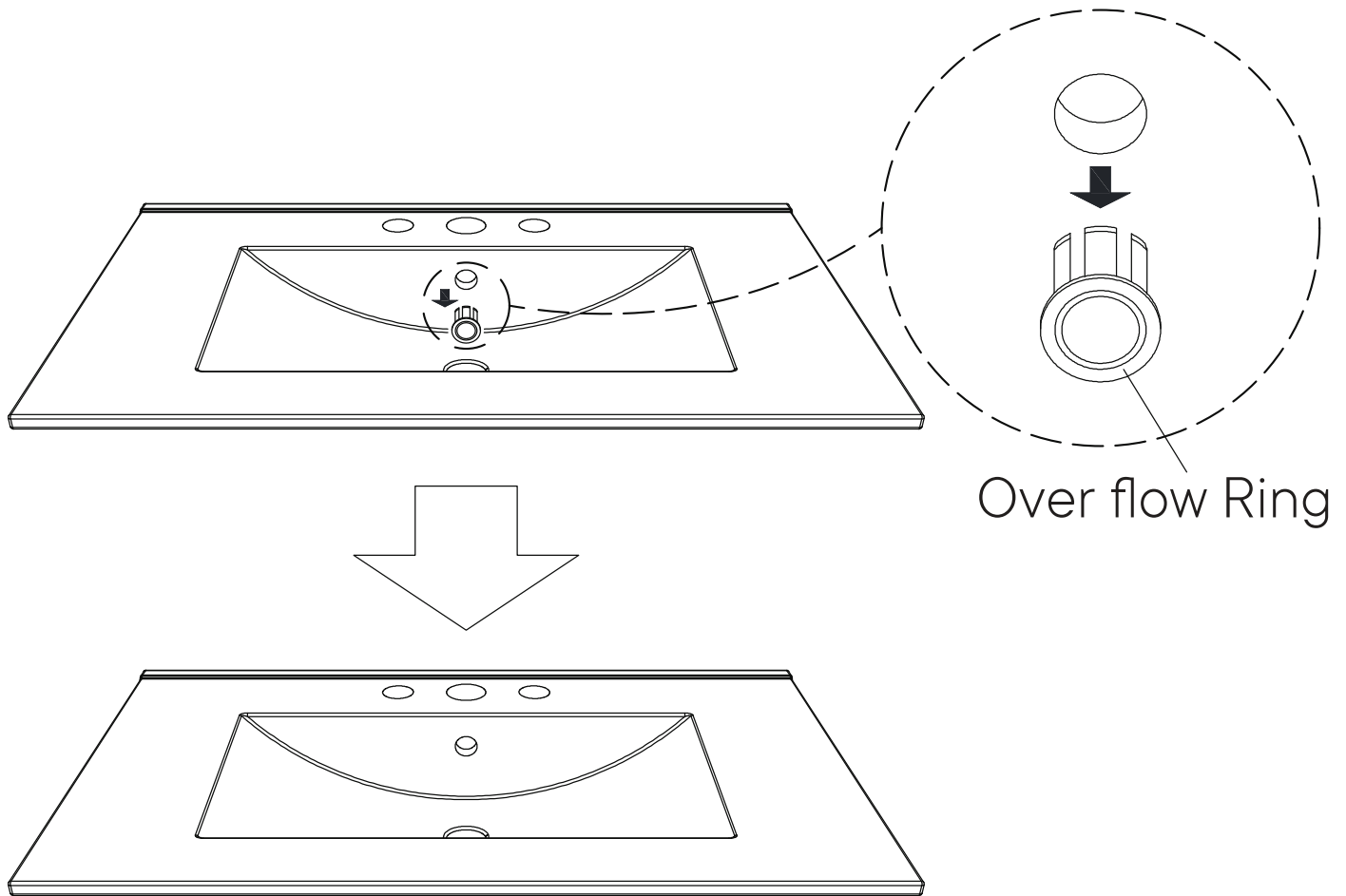
SOLD SEPARATELY



A quick note...

*modway

Your sink basin comes complete with a silver overflow ring.
If you'd like to remove this overflow ring, you can do so by hand.



Wait!

Missing parts or hardware? Need assistance?

Contact us before returning your item. We're here to help!

609.256.9000 • cs@modway.com

Great job!

Vanity Cabinet assembly is complete.

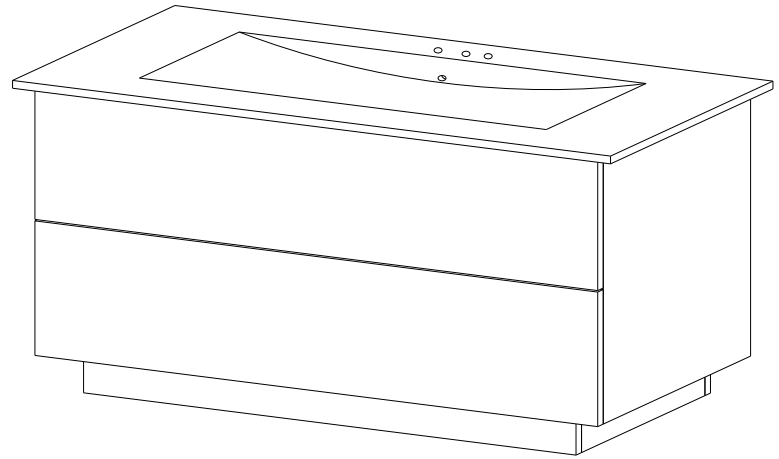
♥ CARING FOR YOUR ITEM

Indoor use only.

Not contract grade.

Clean using a non-abrasive cloth and a mild cleaner.

Never use harsh chemicals, as they could damage the finish or integrity of the item.



CONNECT WITH US!

Tag us **@modway_furniture** and **#modway** for a chance to be featured.