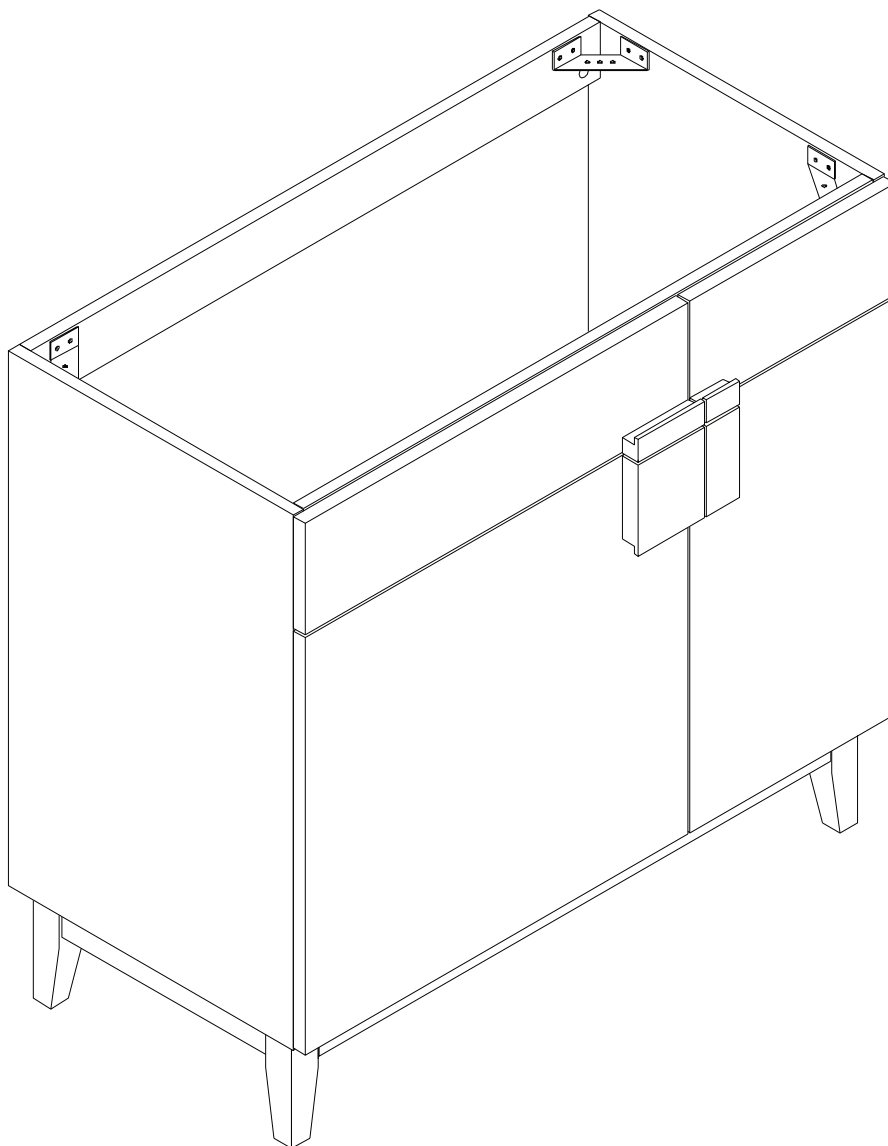


# ASSEMBLY INSTRUCTIONS

# EEI-6400

V1.10.03.22



**Questions? Contact us!**

609.256.9000 • [cs@modway.com](mailto:cs@modway.com)  
[www.modway.com](http://www.modway.com)

**\*modway**



Read through all of the instructions before starting



Care instructions are listed in the last step of this manual



Approx. 60 minutes assembly time



Make sure you have all parts and components before discarding any packing materials



2 people recommended for assembly

**Only use hand tools to assemble this item.** Do not use power tools. Do not tighten bolts or screws completely until all hardware is lined up and inserted into the holes.

Do not over-tighten screws and bolts to avoid stripping the hardware or cracking the item.

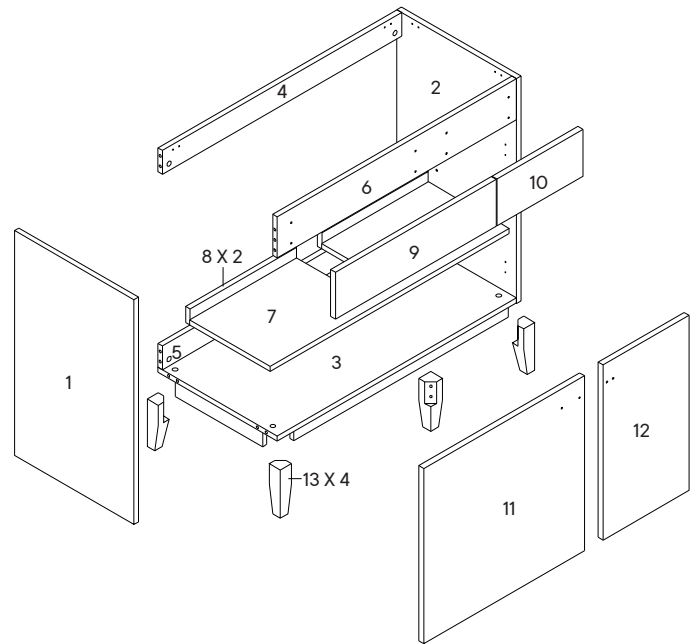
For vanity and plumbing installation, we suggest hiring a professional contractor and plumber.

Assemble your item on a flat, carpeted area, with plenty of space to work. This will prevent damage and scratches to your floors or the item while you're assembling the product.

Keep all components and packaging out of reach of children or animals to avoid risk of choking or suffocation.

## Furniture components:

1	Left Side Panel	x1	9	Front Panel 1	x1
2	Right Side Panel	x1	10	Front Panel 2	x1
3	Bottom Panel	x1	11	Door Panel Left	x1
4	Back Panel 1	x1	12	Door Panel Right	x1
5	Back Panel 2	x1	13	Wooden Leg	x4
6	Front Support	x1			
7	Shelf Panel	x1			
8	Shelf Back Rail	x2			



## Provided hardware:

A		Wood Dowel M8 x 25mm	x12
B		Cam Bolt Ø6 x 24mm	x10
C		Cam Lock Ø15	x10
D		Screw 9 x 38mm	x4
E		Screw 8 x 30mm	x8
F		Shelf Support	x4
G		Screw 4 x 14mm	x46

H		Door Hinge	x5
I		Screw 4 x 30mm	x4
J		Screw 6 x 50mm	x8
K		Lock Washer	x8
L		Flat Washer	x8
M		Hex Wrench	x1
N		Rubber Pad	x6

O		Handle	x1
P		Handle	x1
Q		Corner Bracket	x4
R		Screw Cap	x6

## What you need:

Phillips Head Screwdriver

## You may also need:

- + Power Drill
- + Level
- + Silicone Adhesive or Caulk
- + Drywall Anchors and Screws
- + Other Wall-Mounting Hardware

Wait!

Missing parts or hardware? Need assistance?  
Contact us before returning your item. We're here to help!  
609.256.9000 • cs@modway.com

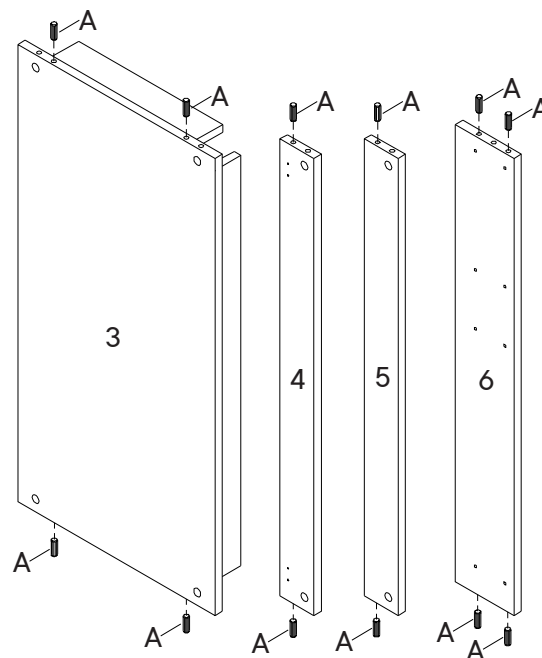
# Step 1

## HARDWARE

- A** Wood Dowel M8 x 25mm x12

## COMPONENTS

- 3** Bottom Panel x1
- 4** Back Panel 1 x1
- 5** Back Panel 2 x1
- 6** Front Support x1



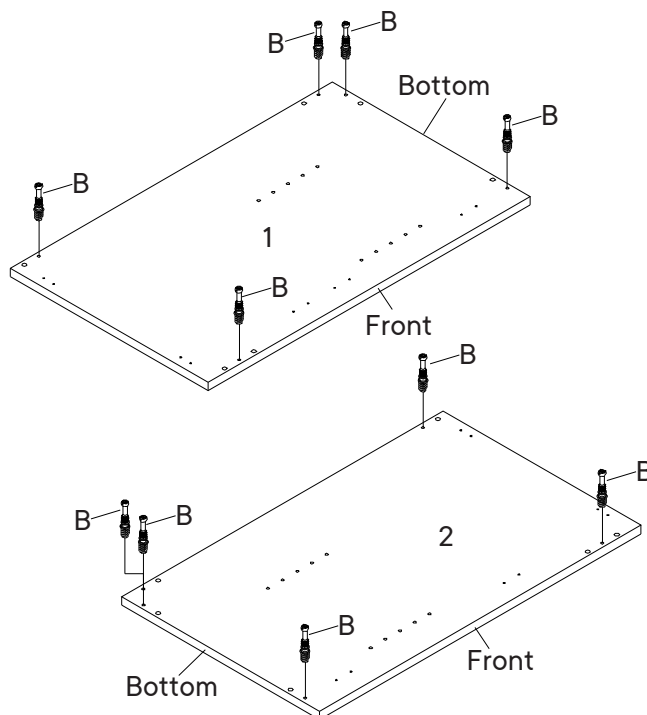
# Step 2

## HARDWARE

- B** Cam Bolt  $\varnothing 6 \times 24\text{mm}$  x10

## COMPONENTS

- 1** Left Side Panel x1
- 2** Right Side Panel x1



## Step 3

### HARDWARE

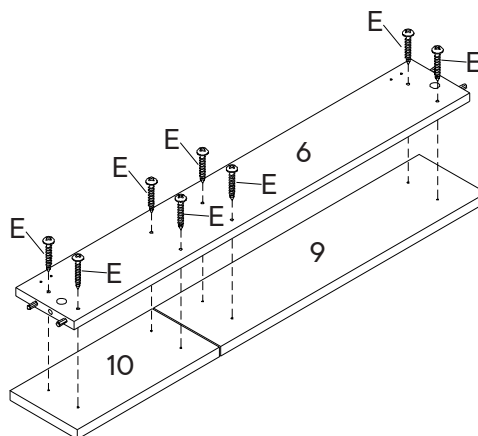
**E** Screw 8 x 30mm x8

### COMPONENTS

**6** Front Support x1

**9** Front Panel 1 x1

**10** Front Panel 2 x1



## Step 4

### HARDWARE

**C** Cam Lock Ø15 x5

### COMPONENTS

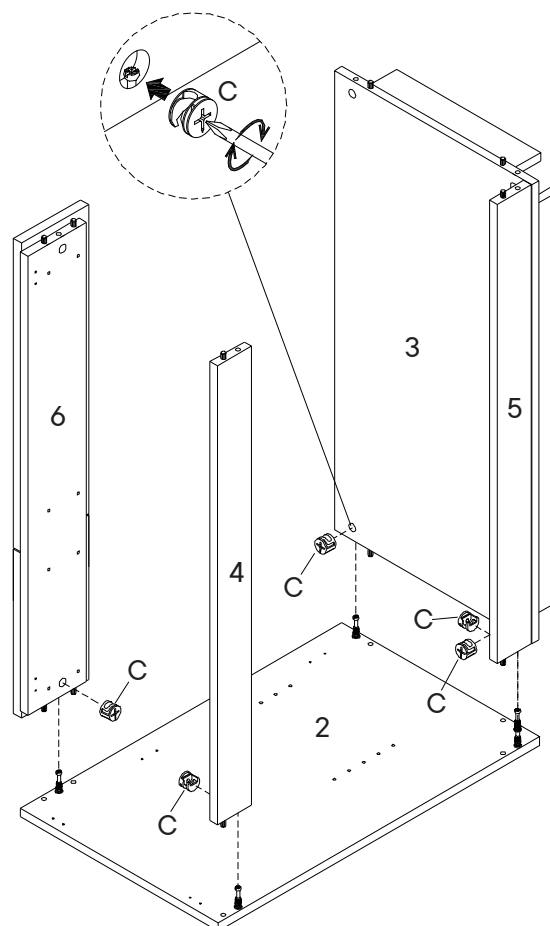
**2** Right Side Panel x1

**3** Bottom Panel x1

**4** Back Panel 1 x1

**5** Back Panel 2 x1

**6** Front Support x1



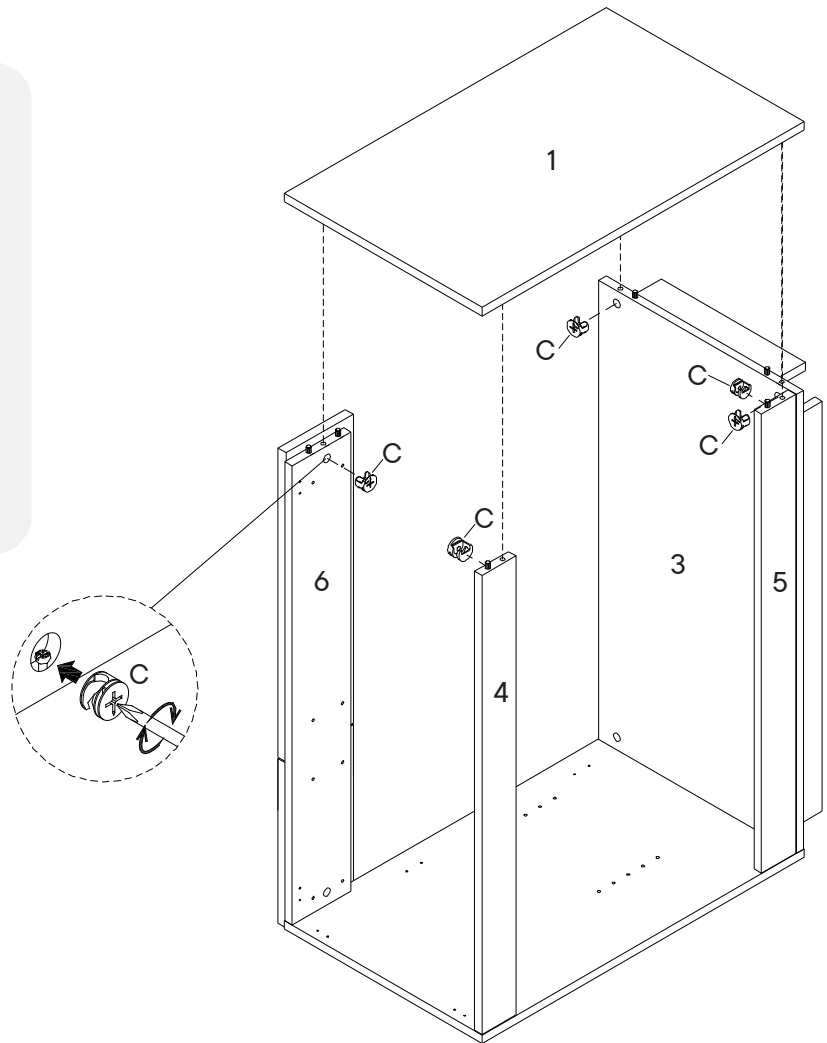
# Step 5

## HARDWARE

- C** Cam Lock Ø15 x5

## COMPONENTS

- 1** Left Side Panel x1
- 3** Bottom Panel x1
- 4** Back Panel 1 x1
- 5** Back Panel 2 x1
- 6** Front Support x1



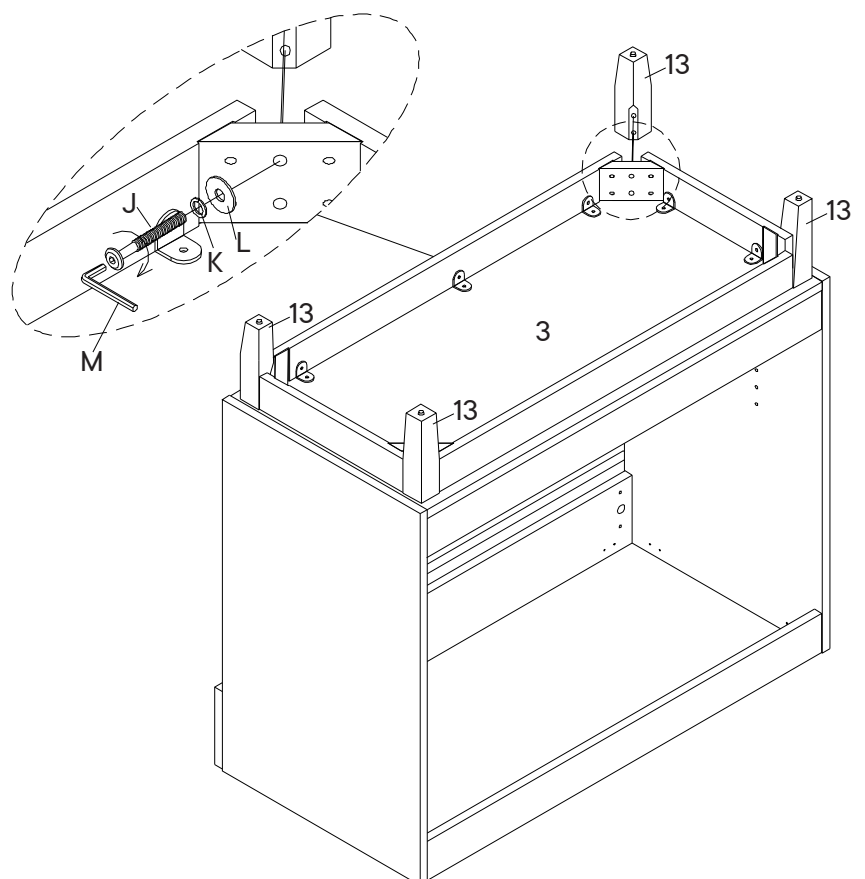
# Step 6

## HARDWARE

- J** Screw 6 x 50mm x8
- K** Lock Washer x8
- L** Flat Washer x8
- M** Hex Wrench x1

## COMPONENTS

- 3** Bottom Panel x1
- 13** Wooden Leg x4



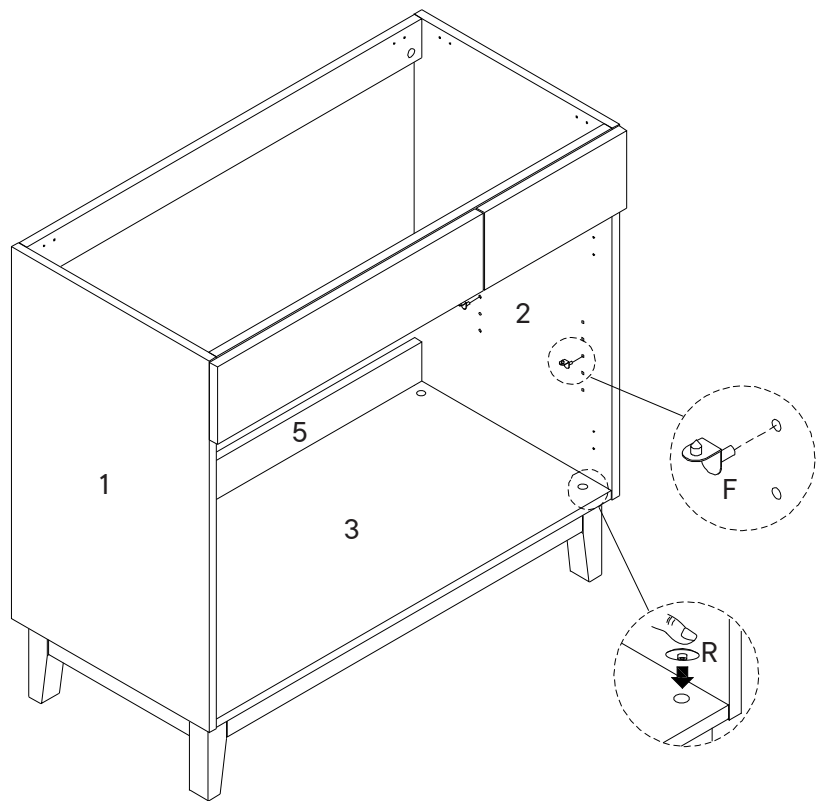
# Step 7

## HARDWARE

- F** Shelf Support x4
- R** Screw Cap x6

## COMPONENTS

- 1** Left Side Panel x1
- 2** Right Side Panel x1
- 3** Bottom Panel x1
- 5** Back Panel 2 x1



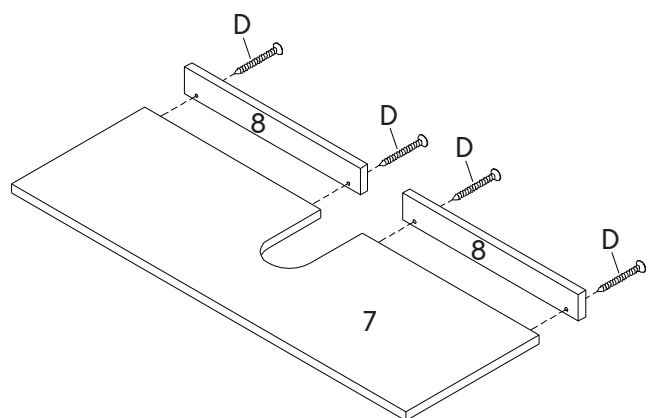
# Step 8

## HARDWARE

- D** Screw 9 x 38mm x4

## COMPONENTS

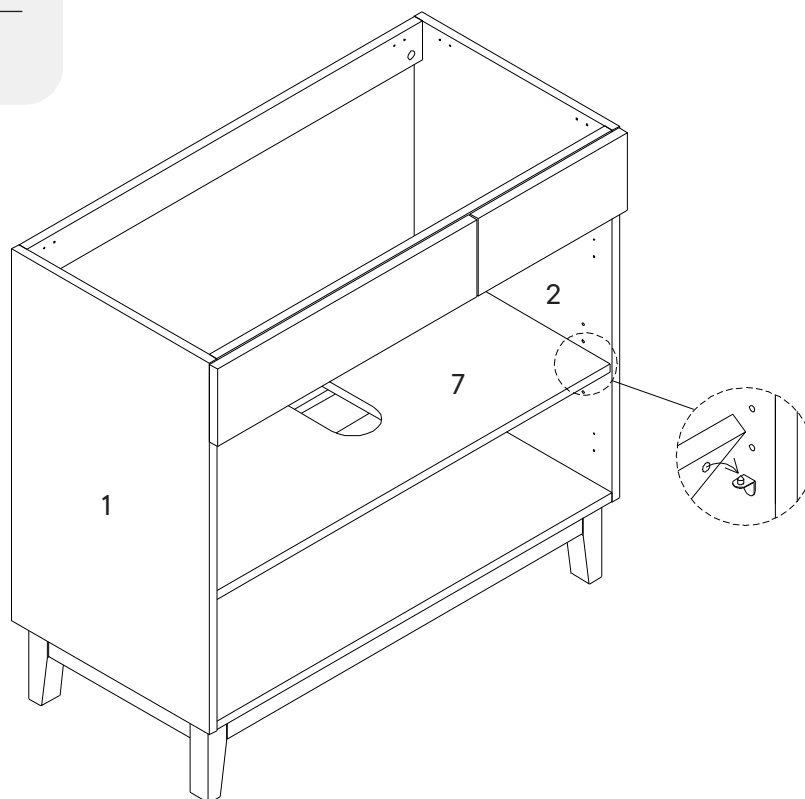
- 7** Shelf Panel x1
- 8** Shelf Back Rail x2



# Step 9

## COMPONENTS

- 7** Shelf Panel x1



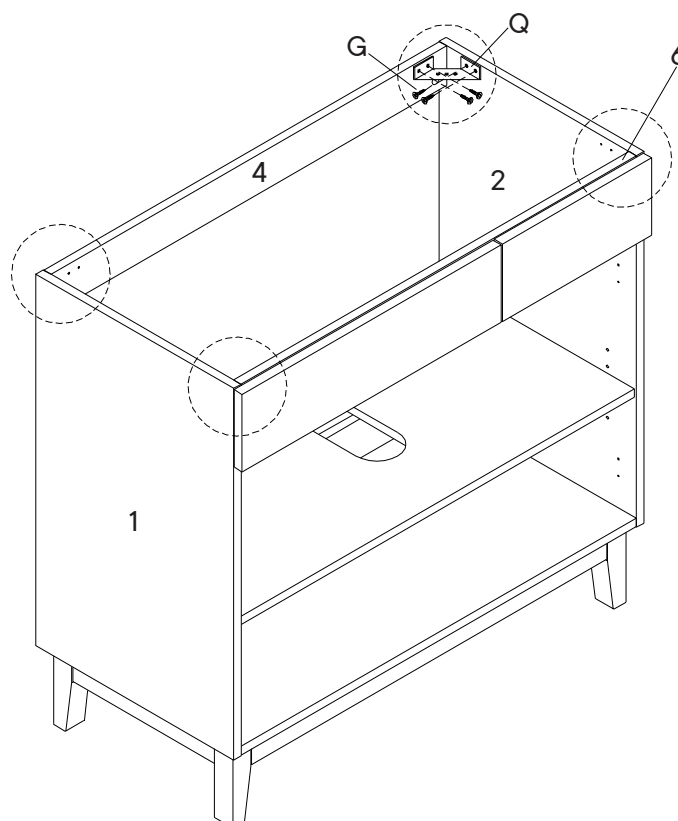
# Step 10

## HARDWARE

- G** Screw 4 x 14mm x16
- Q** Corner Bracket x4

## COMPONENTS

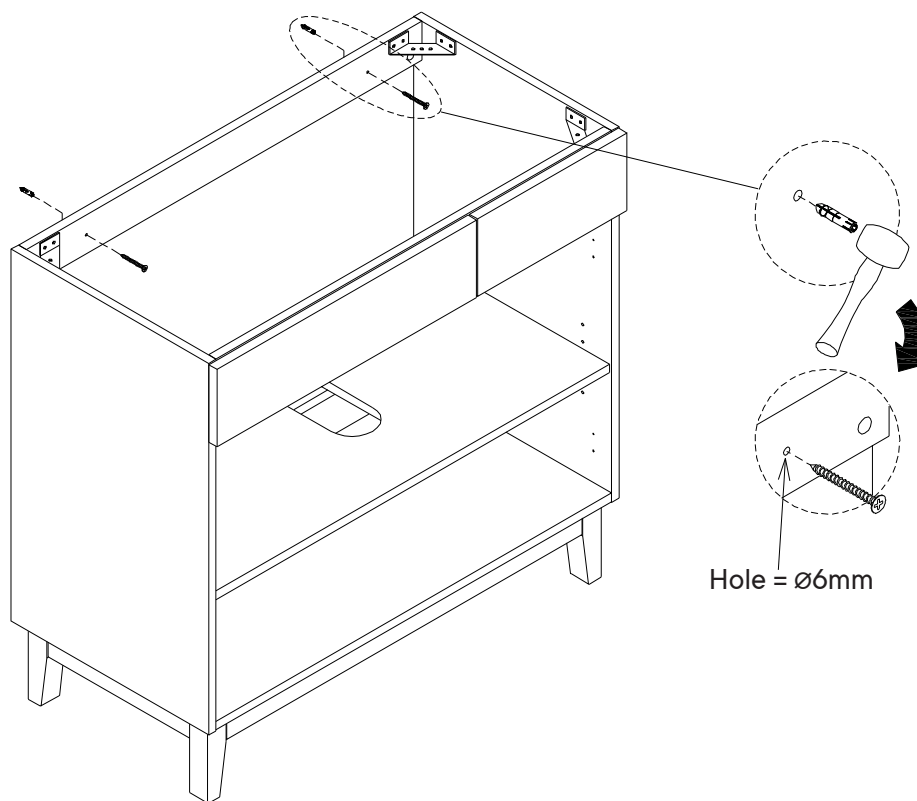
- 1** Left Side Panel x1
- 2** Right Side Panel x1
- 4** Back Panel 1 x1
- 6** Front Support x1



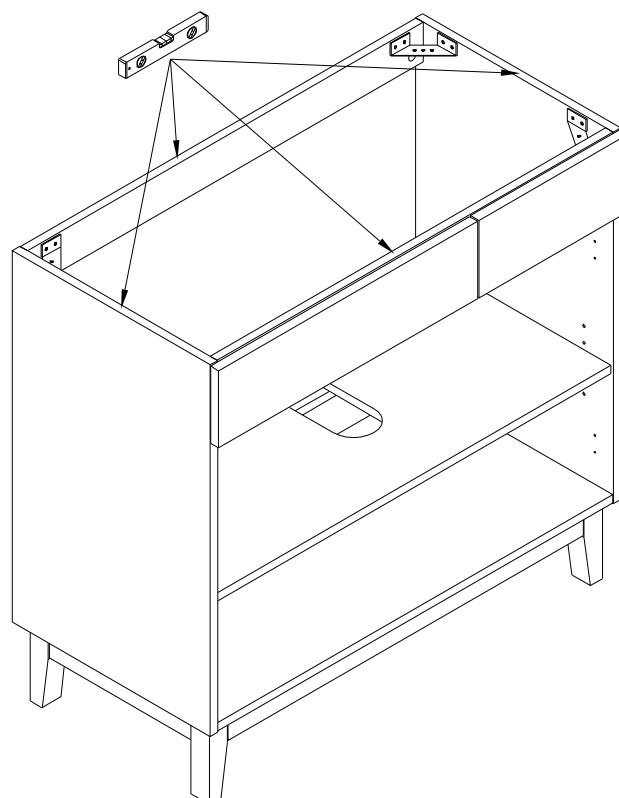
## Step 11

NOTE: Mounting hardware and tools are not included.

We suggest professional installation.



## Step 12





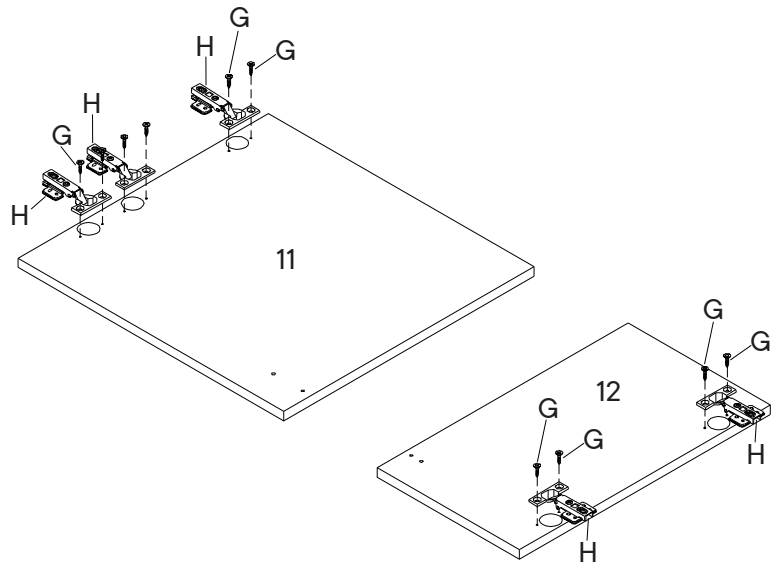
# Step 13

## HARDWARE

- G** Screw 4 x 14mm x10
- H** Door Hinge x5

## COMPONENTS

- 11** Door Panel Left x1
- 12** Door Panel Right x1



# Step 14

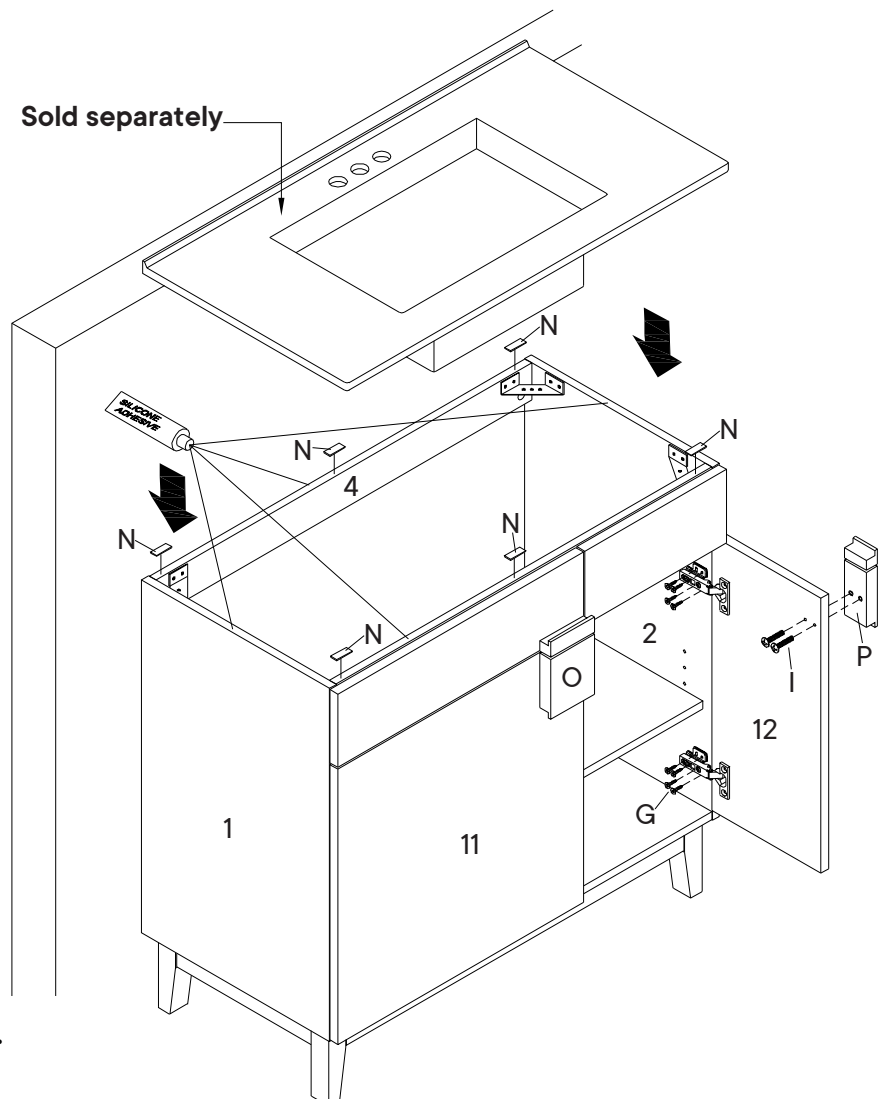
## HARDWARE

- G** Screw 4 x 14mm x20
- I** Screw 4 x 30mm x4
- N** Rubber Pad x6
- O** Handle x1
- P** Handle x1

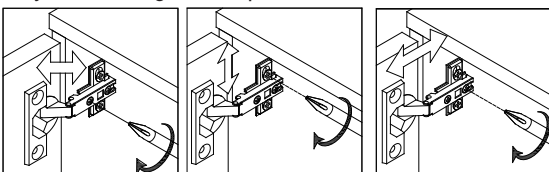
## COMPONENTS

- 11** Door Panel Left x1
- 12** Door Panel Right x1

Sold separately



Adjust the hinges, if required.

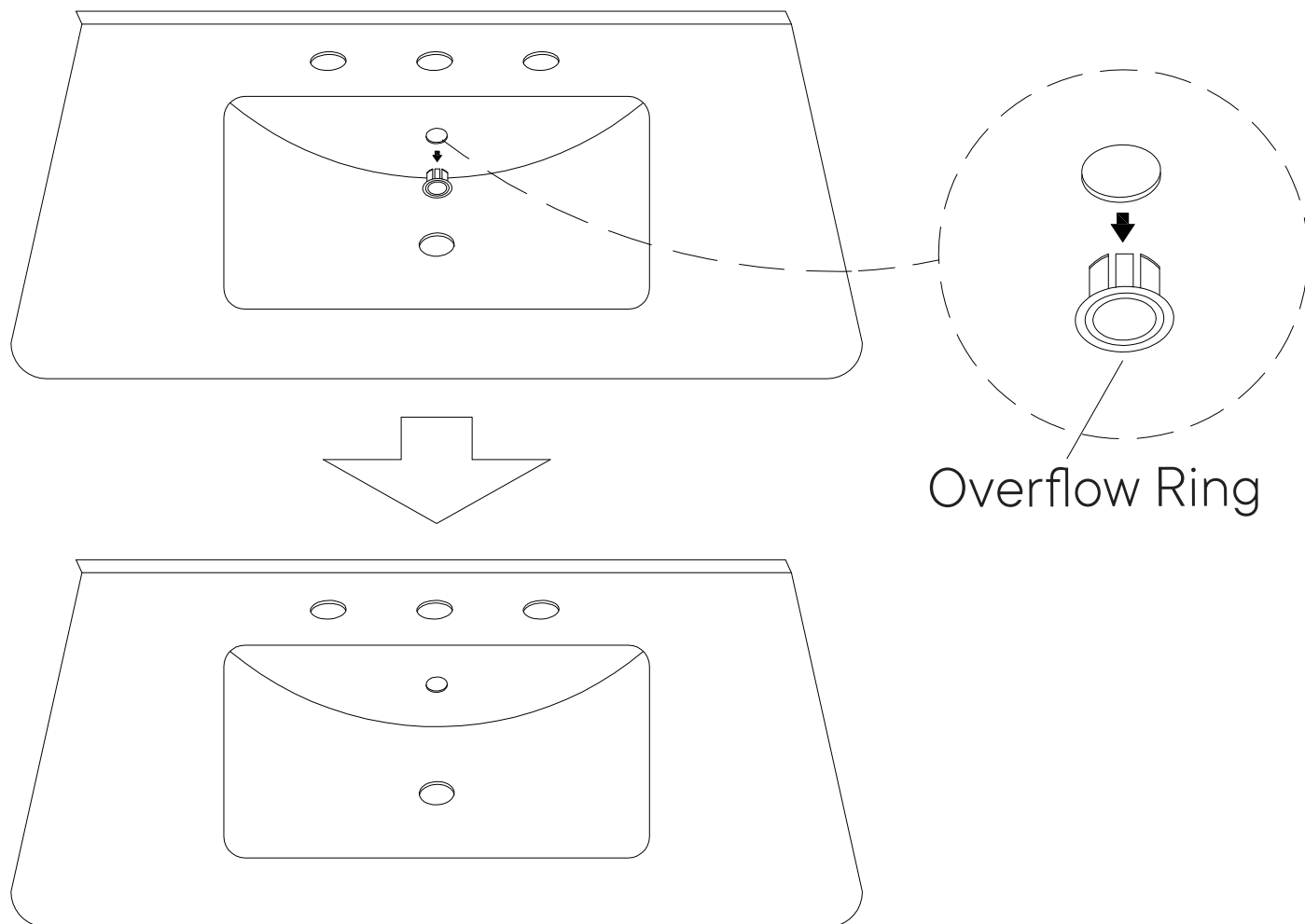


Adjust laterally    Adjust height    Adjust depth

**Temporarily remove/dismantle the Door & Shelf during Basin/Sink /Plumbing work installation work to prevent water damage.**

# A quick note...

Your sink basin comes complete with a silver overflow ring.  
If you'd like to remove this overflow ring, you can do so by hand.



**Wait!**

**Missing parts or hardware? Need assistance?**

Contact us before returning your item. We're here to help!

609.256.9000 • [cs@modway.com](mailto:cs@modway.com)

# Great job!

Cabinet assembly is complete.

## ♥ CARING FOR YOUR ITEM

Indoor use only.

Not contract grade.

Clean using a non-abrasive cloth and a mild cleaner.

Never use harsh chemicals, as they could damage the finish or integrity of the item.

CONNECT WITH US!   

Tag us [@modway\\_furniture](#) and [#modway](#) for a chance to be featured.

