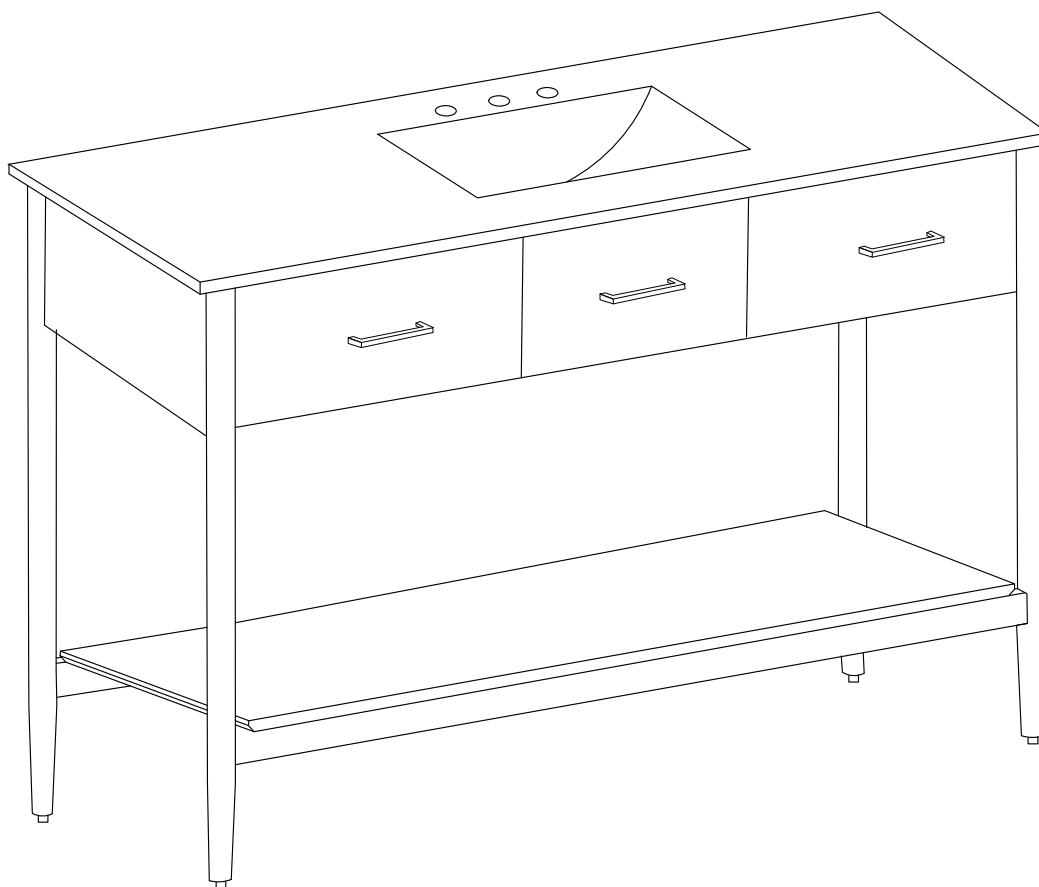


ASSEMBLY INSTRUCTIONS

EEI-6356

V1.02.02.23



Questions? Contact us!

609.256.9000 • cs@modway.com
www.modway.com

***modway**

Let's get started!

***modway**



Read through all of the instructions before starting



Care instructions are listed in the last step of this manual



Approx. 60 minutes assembly time



Make sure you have all parts and components before discarding any packing materials



2 people recommended for assembly

Only use hand tools to assemble this item. Do not use power tools. Do not tighten bolts or screw completely until all hardware is lined up and inserted into the holes.

Do not over-tighten screw and bolts to avoid stripping the hardware or cracking the item.

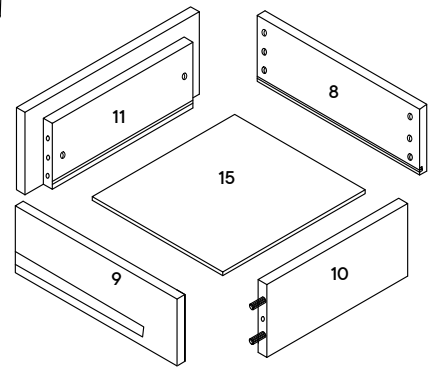
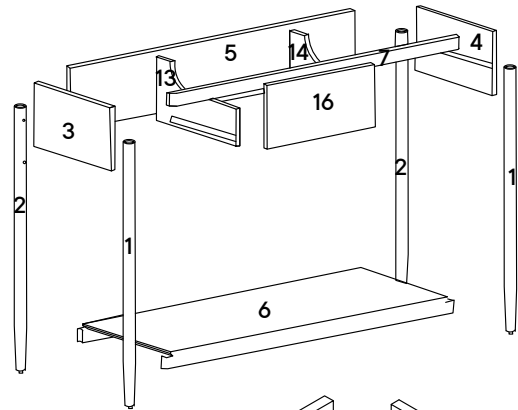
For vanity and plumbing installation, we suggest hiring a professional contractor and plumber.

Assemble your item on a flat carpeted area, with plenty of space to work. this will prevent damage and scratches to your floors or the item while you're assembling the product.

Keep all components and packaging out of reach of children or animals to avoid risk of choking or suffocation.

Furniture components:

1	Leg front	x2	9	Drawer side panel right	x2
2	Leg back	x2	10	Drawer back panel	x2
3	Side panel left	x1	11	Drawer front panel left	x1
4	Side panel right	x1	12	Drawer front panel right	x1
5	Back panel	x1	13	Drawer middle partition left	x1
6	Bottom panel	x1	14	Drawer middle partition right	x1
7	Front frame	x1	15	Drawer bottom panel	x2
8	Drawer side panel left	x2	16	Front middle panel	x2



Provided hardware:

A		Wood dowel Ø8 x 40mm	x40
B		Cam lock Ø15mm	x26
C		Cam bolt M6 x 40mm	x26
D		Handle	x3
E		Screw M4 x 20mm	x2
F		Screw M4 x 37mm	x4
G		Screw M4 x 16mm	x16
H		Metal bracket	x4
I		Screw M4 x 30mm	x2
J		Screw M4 x 25mm	x6
K		Drawer channel (pre assembled)	x4
L		Leveler (pre assembled)	x4
M		Felt (pre assembled)	x4

What you need:



Phillips head screwdriver.

You may also need:

- + Power Drill
- + Level
- + Silicone Adhesive or caulk
- + Drywall Anchors and Screws
- + Other Wall-Mounting Hardware

Wait!

Missing parts or hardware? Need assistance?
Contact us before returning your items. We're here to help!
609.256.9000 . cs@modway.com

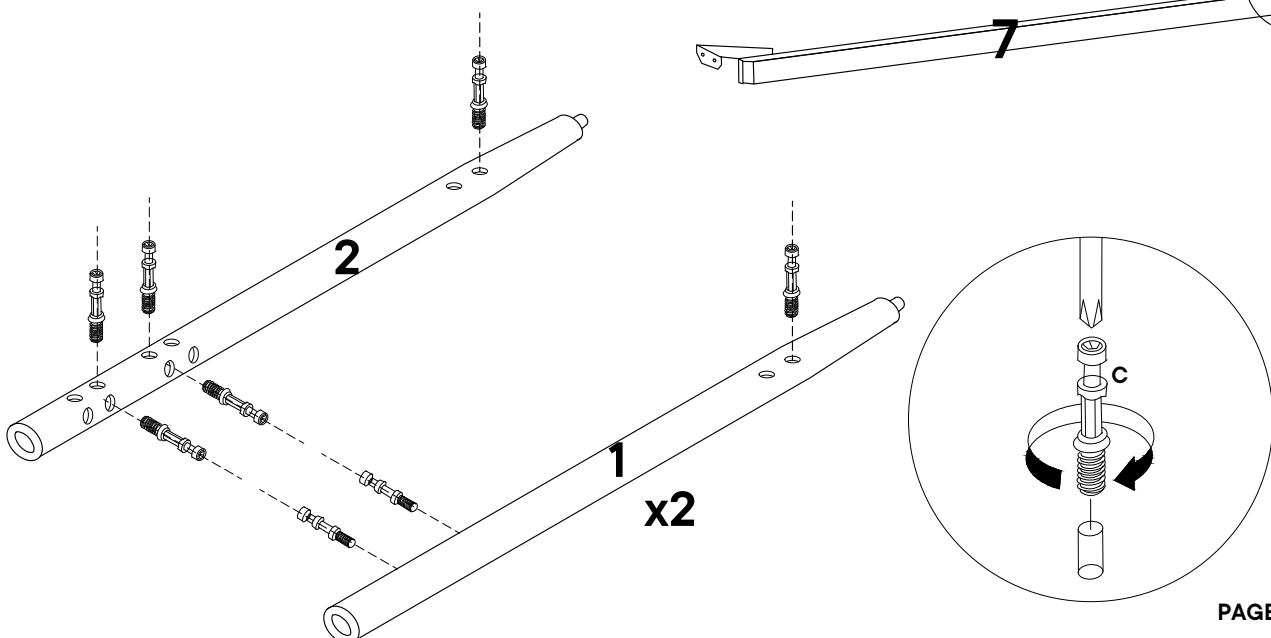
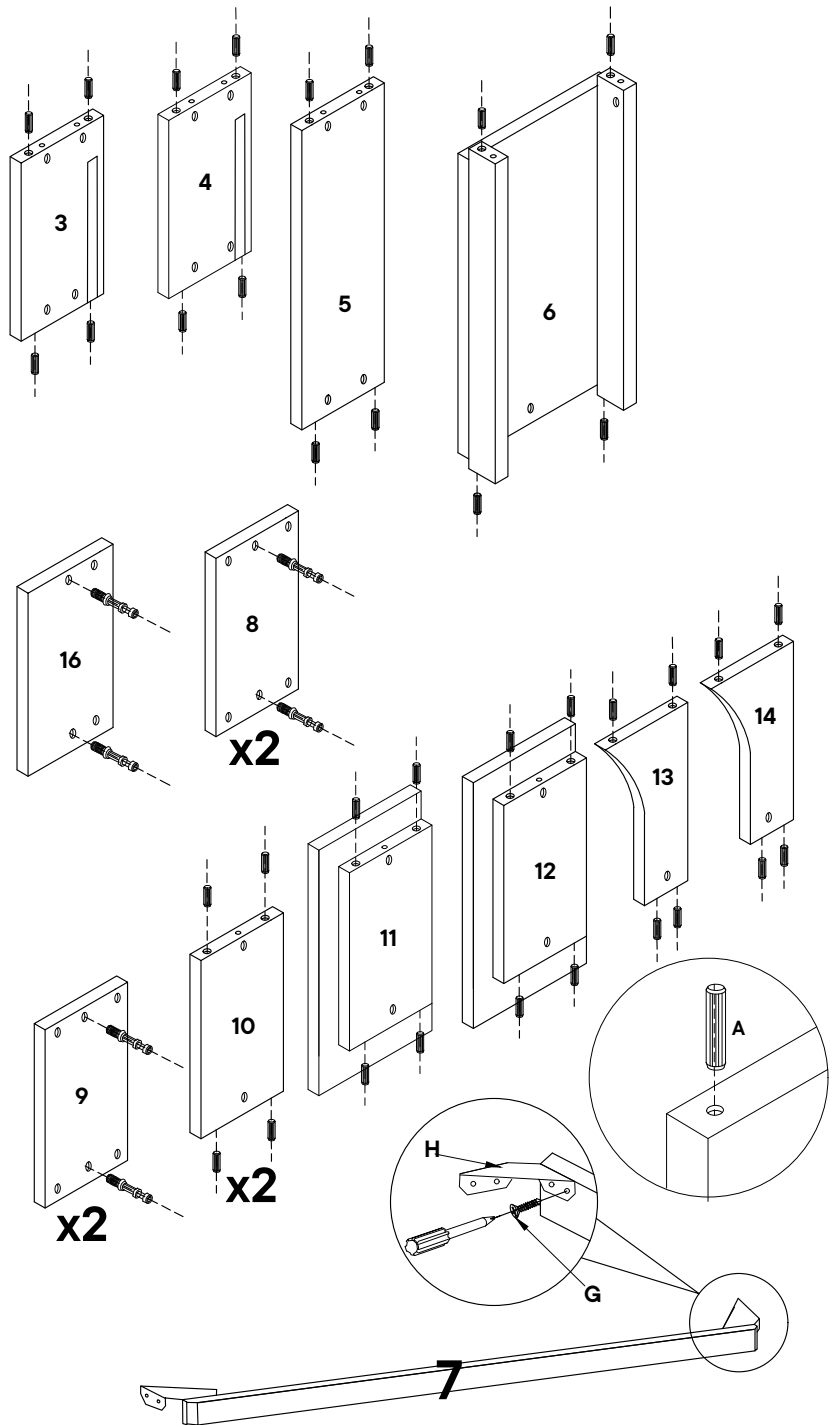
Step 1

HARDWARE

A	Wood dowel Ø8 x 40mm	x40
C	Cam bolt M6 x 40mm	x26
G	Screw M4 x 16mm	x4
H	Metal bracket	x2

COMPONENTS

1	Leg front	x2
2	Leg back	x2
3	Side panel left	x1
4	Side panel right	x1
5	Back panel	x1
6	Bottom panel	x1
7	Front frame	x1
8	Drawer side panel left	x2
9	Drawer side panel right	x2
10	Drawer back panel	x2
11	Drawer front panel left	x1
12	Drawer front right	x1
13	Drawer middle partition left	x1
14	Drawer middle partition right	x1
16	Front middle panel	x1



Step 2

HARDWARE

B Cam lock Ø15mm x8

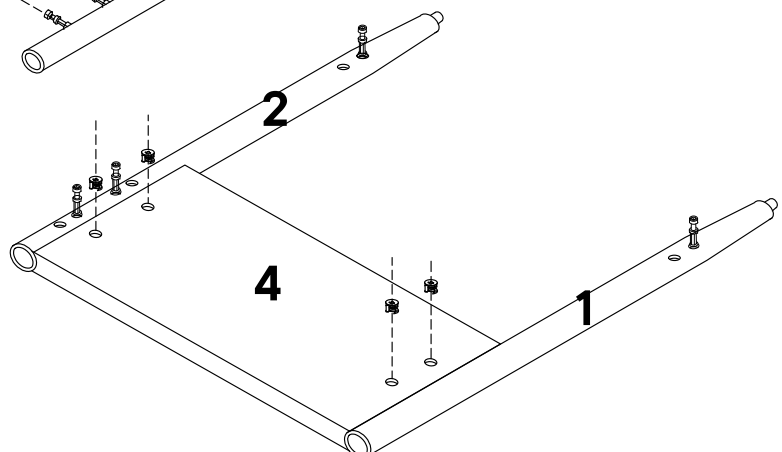
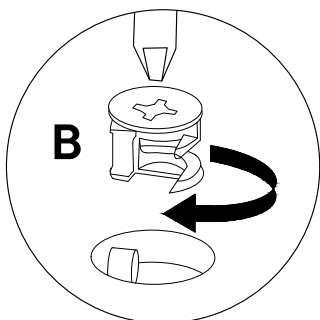
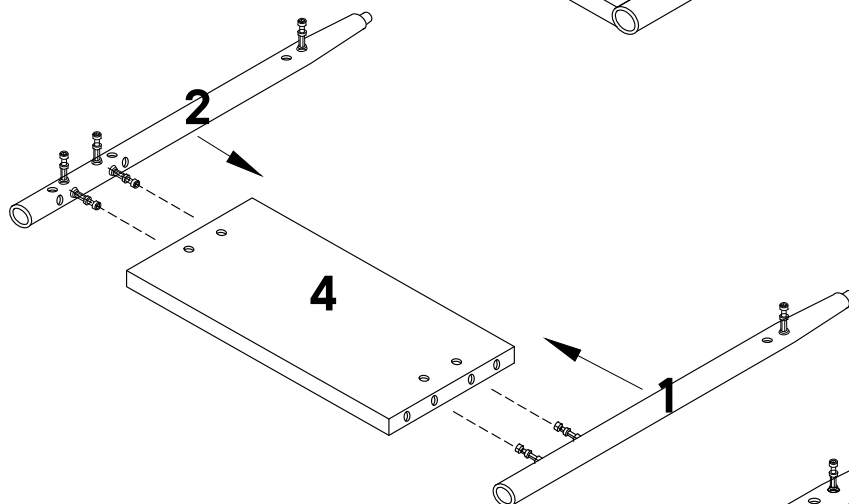
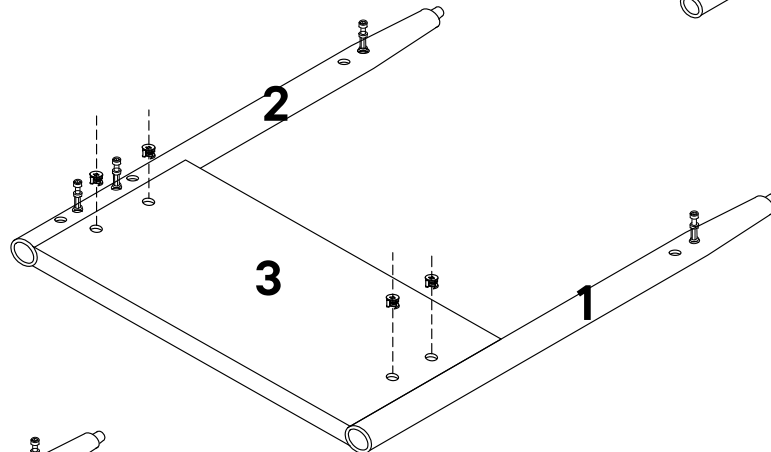
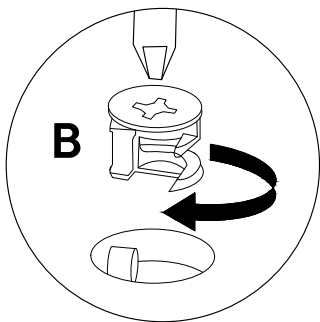
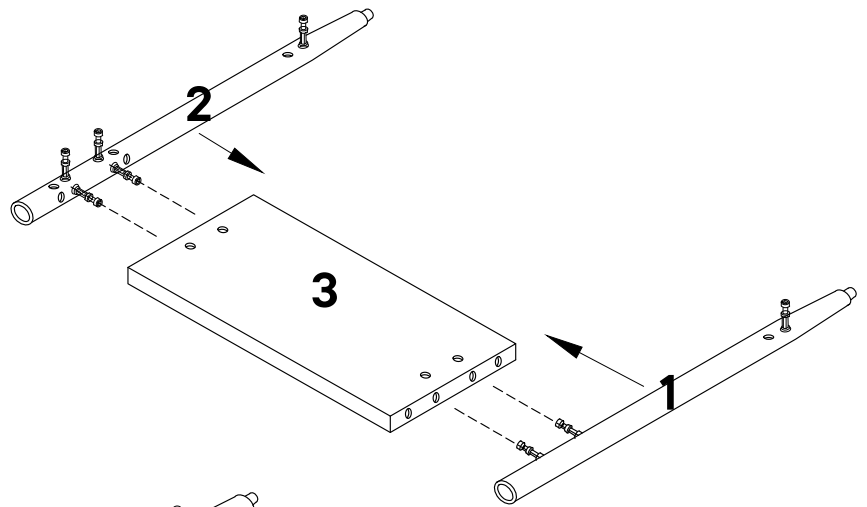
COMPONENTS

1 Leg front x2

2 Leg back x2

3 Side panel left x1

4 Side panel right x1



Step 3

HARDWARE

B Cam lock Ø15mm x4

COMPONENTS

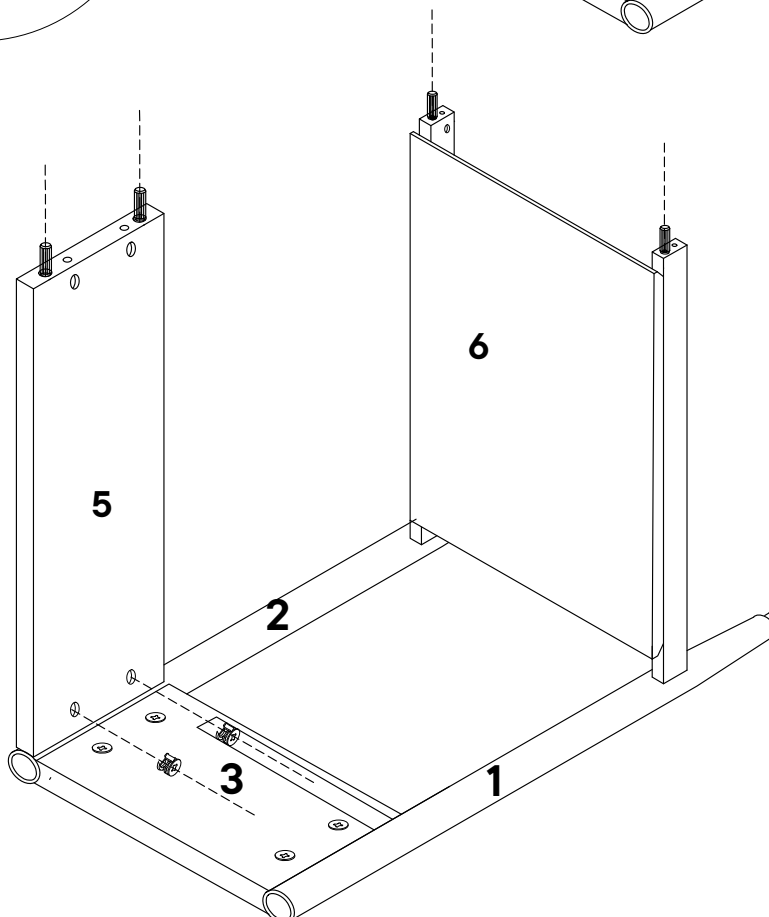
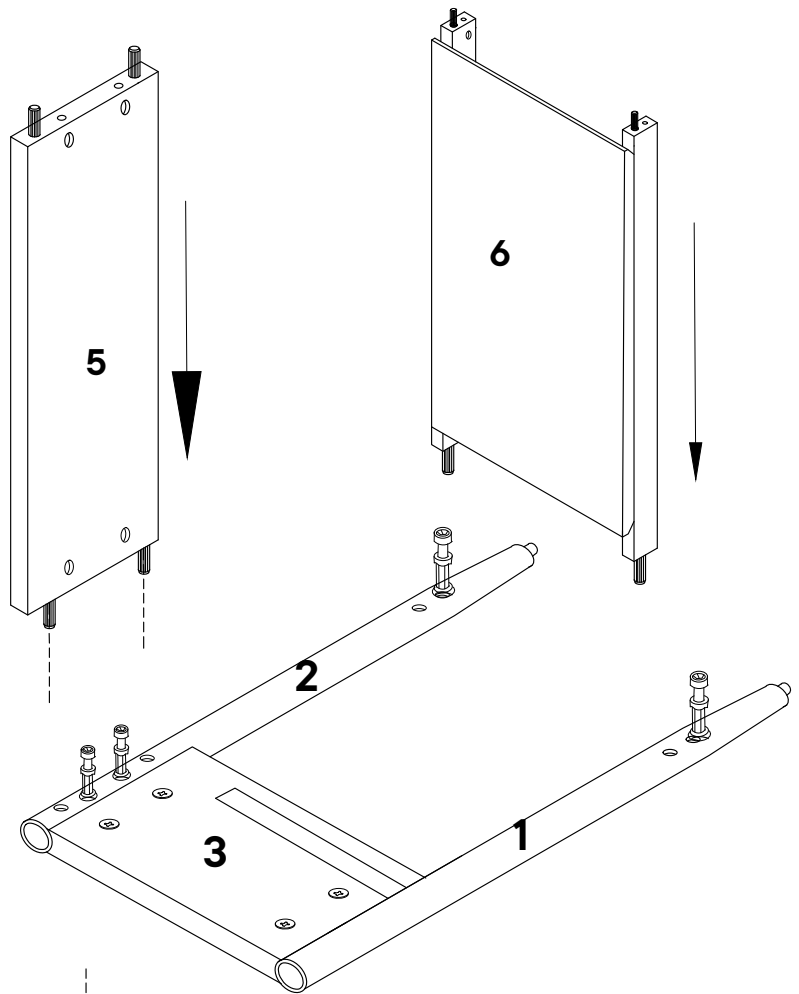
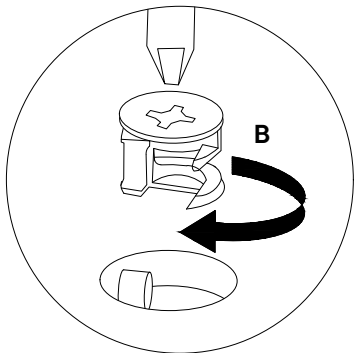
1 Leg front x1

2 Leg back x1

3 Side panel left x1

5 Back panel x1

6 Bottom panel x1



Step 4

HARDWARE

B Cam lock Ø15mm x4

COMPONENTS

1 Leg front x2

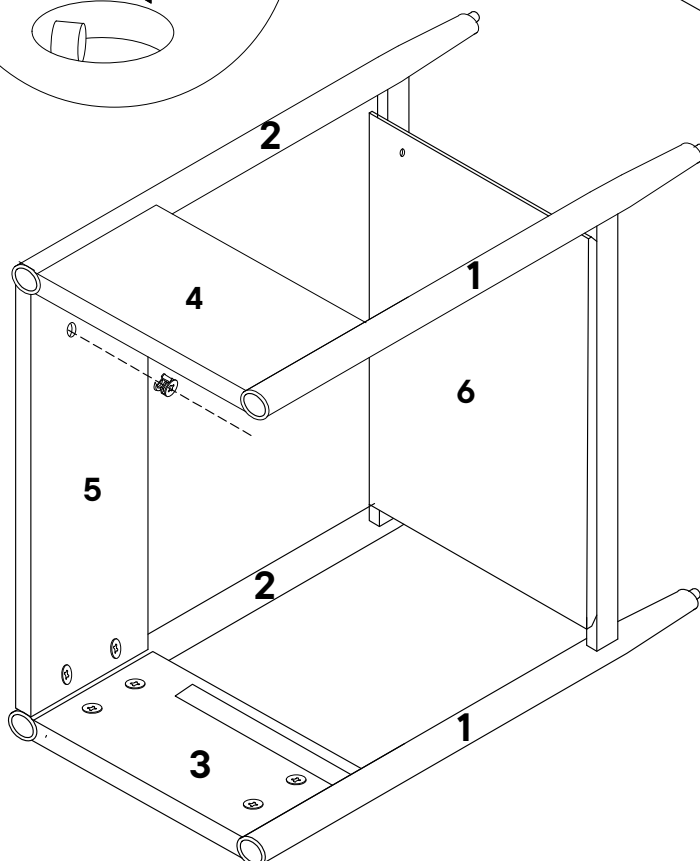
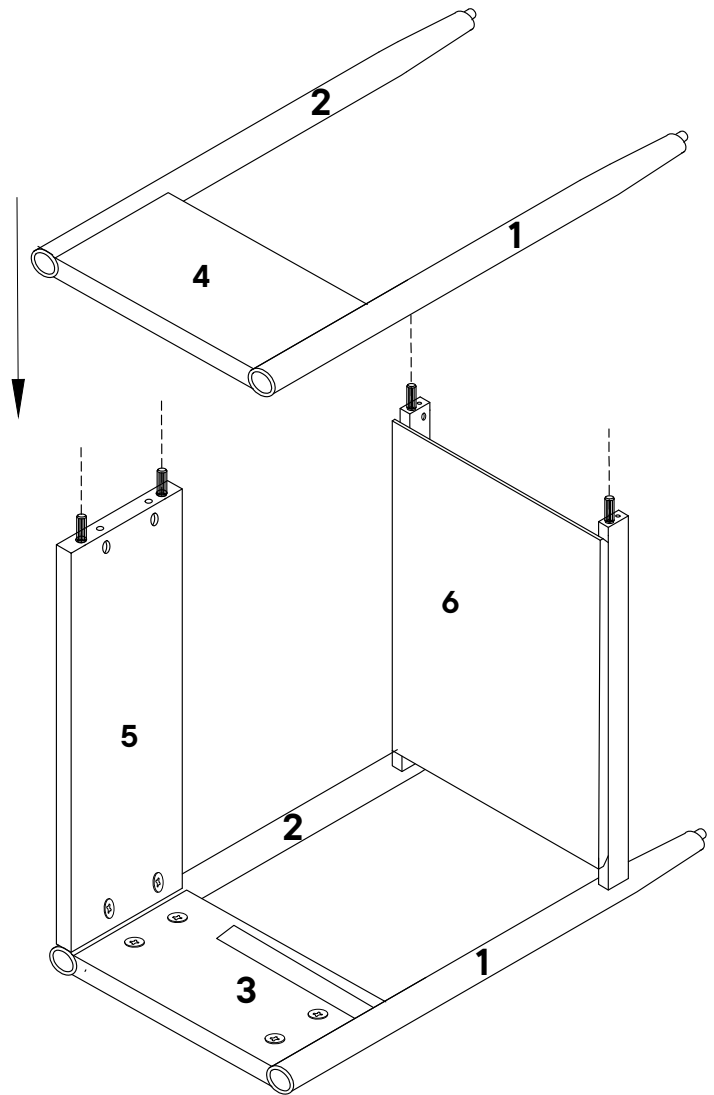
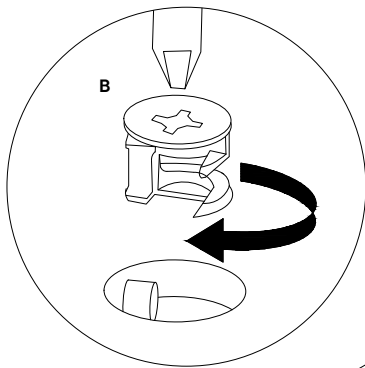
2 Leg back x2

3 Side panel left x1

4 Side panel right x1

5 Back panel x1

6 Bottom panel x1



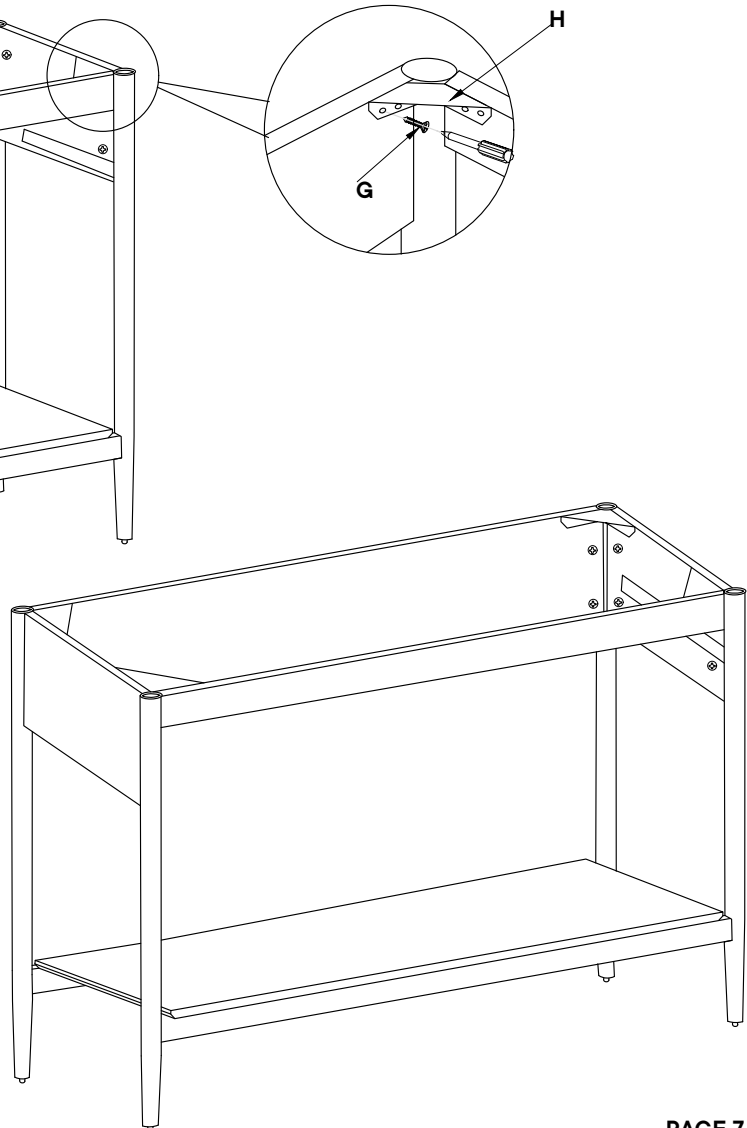
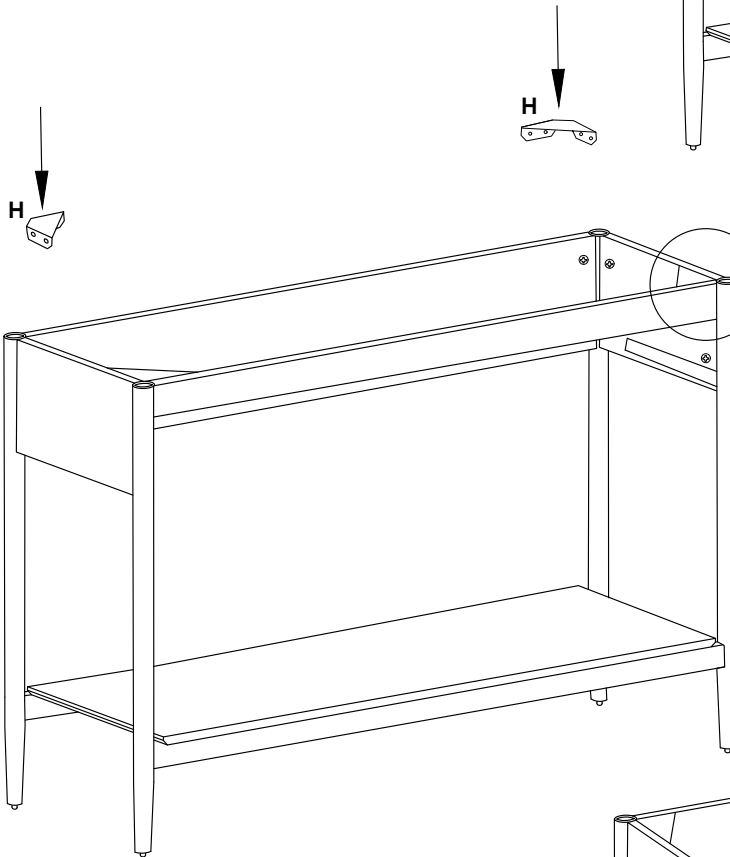
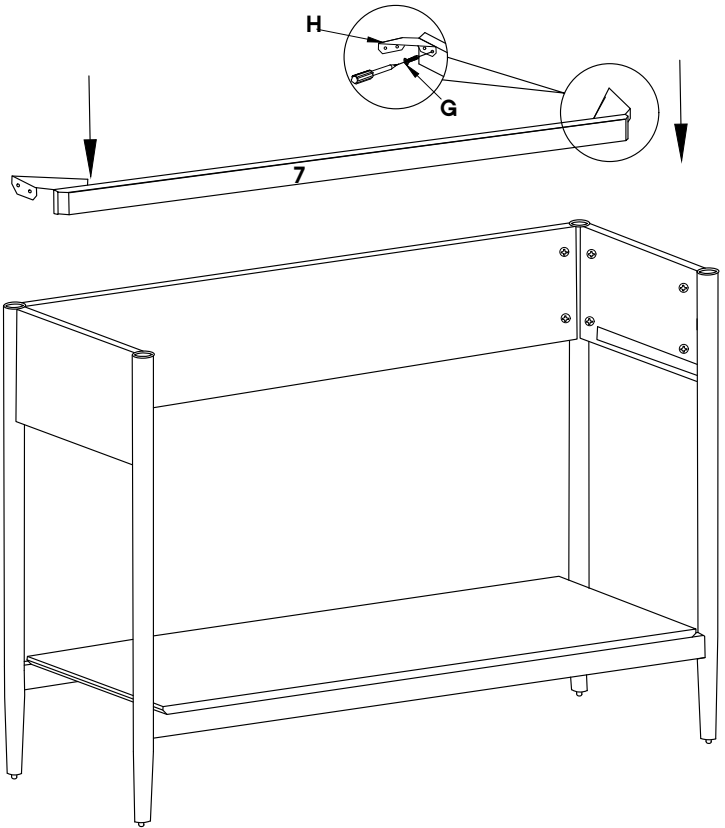
Step 5

HARDWARE

- G** Screw M4 x 16mm x16
- H** Metal bracket x2

COMPONENTS

- 7** Front frame x1



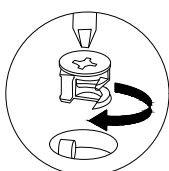
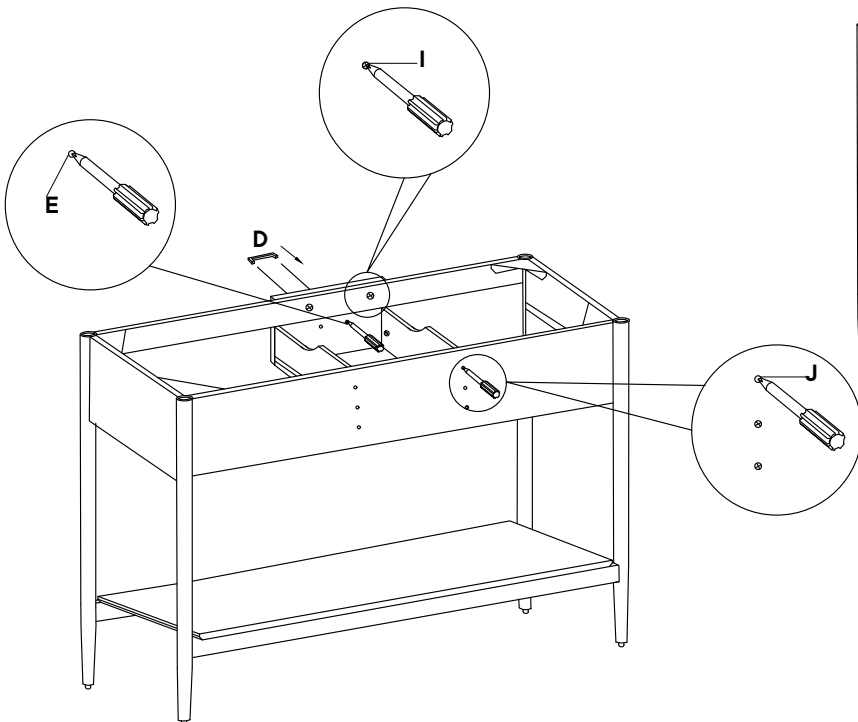
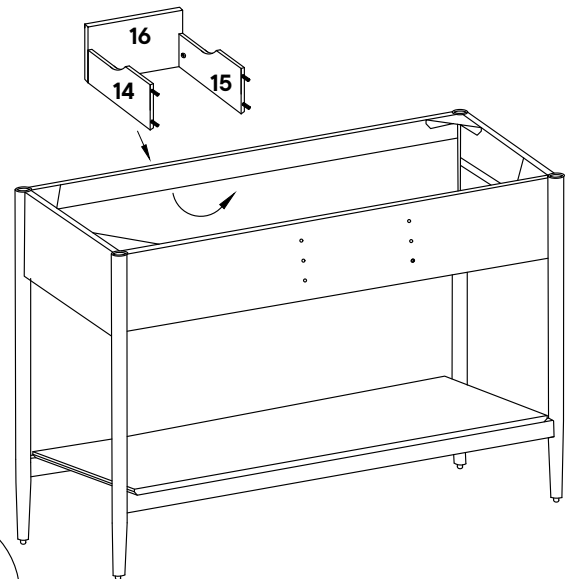
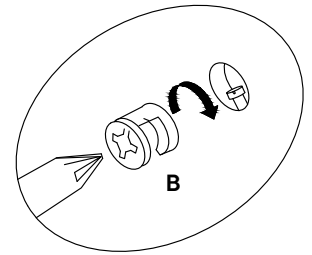
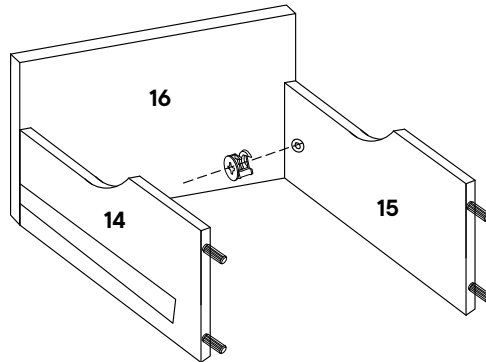
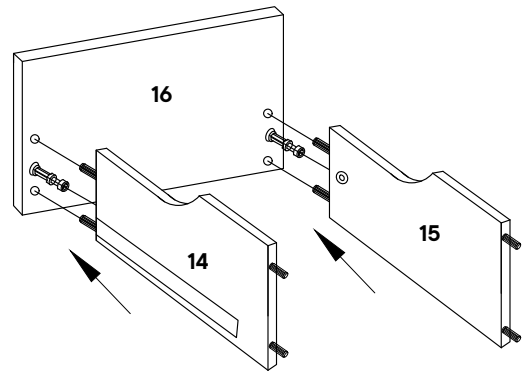
Step 6

HARDWARE

- B** Cam lock Ø15mm x2
- I** Screw M4 x 30mm x2
- J** Screw M4X25mm x6
- D** Handle x1
- E** Screw M4X20mm x2

COMPONENTS

- 13** Drawer middle partition left x1
- 14** Drawer middle partition right x1
- 16** Front middle panel x1



Note:- Full tighten all cam lock and screw here.

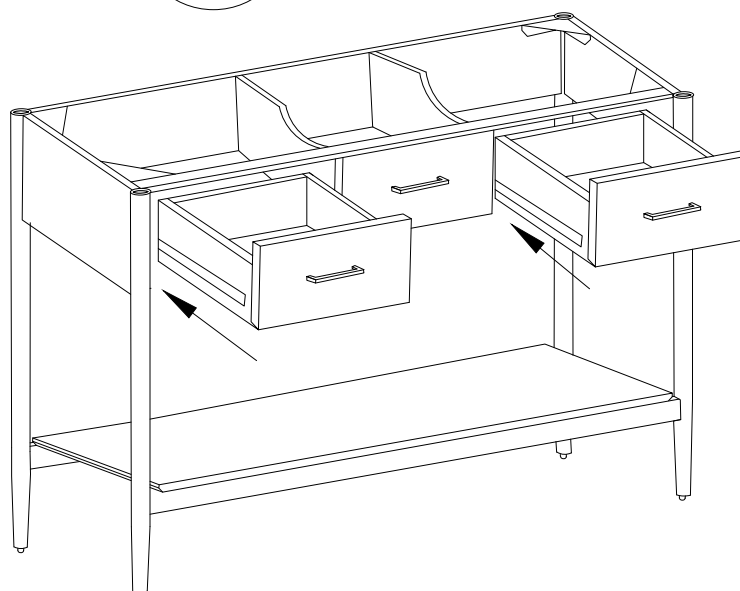
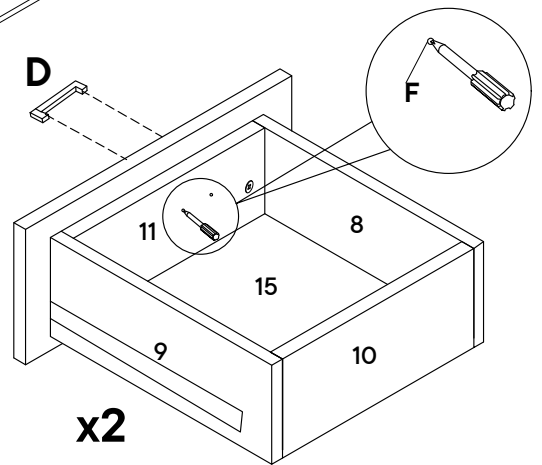
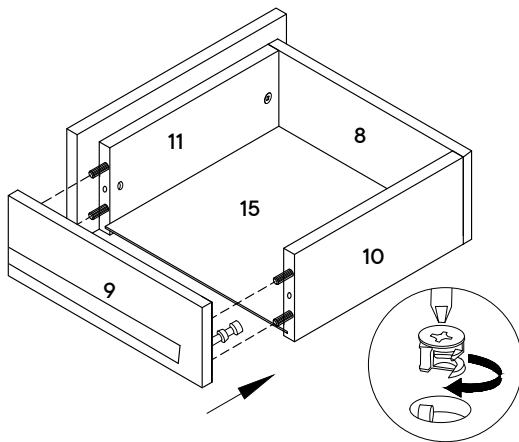
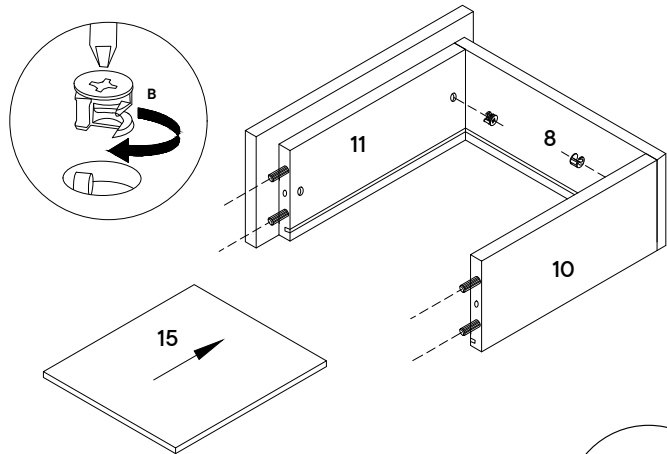
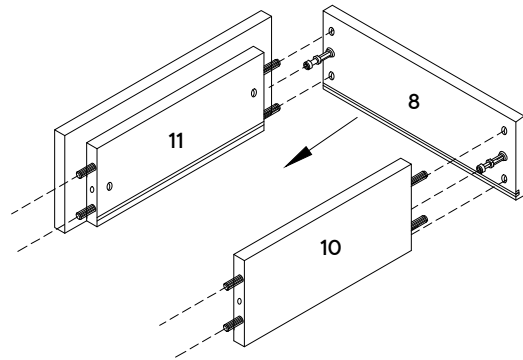
Step 7

HARDWARE

B	Cam lock Ø15mm	x3
E	Screw M4x20mm	x4
F	Screw M4X37mm	x2
D	Handle	x2

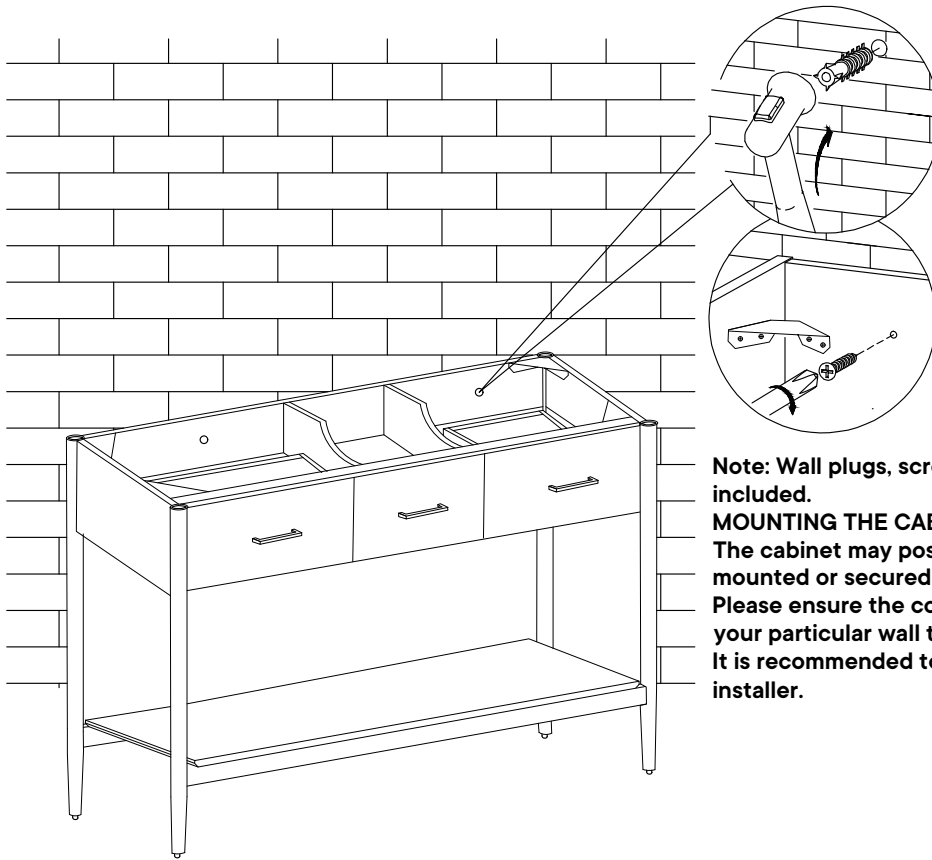
COMPONENTS

8	Drawer side panel left	x2
9	Drawer side panel right	x2
10	Drawer back panel	x2
11	Drawer front panel left	x1
12	Drawer front right	x1
15	Drawer bottom panel	x1



Note:- Full tighten all cam lock and screw here.

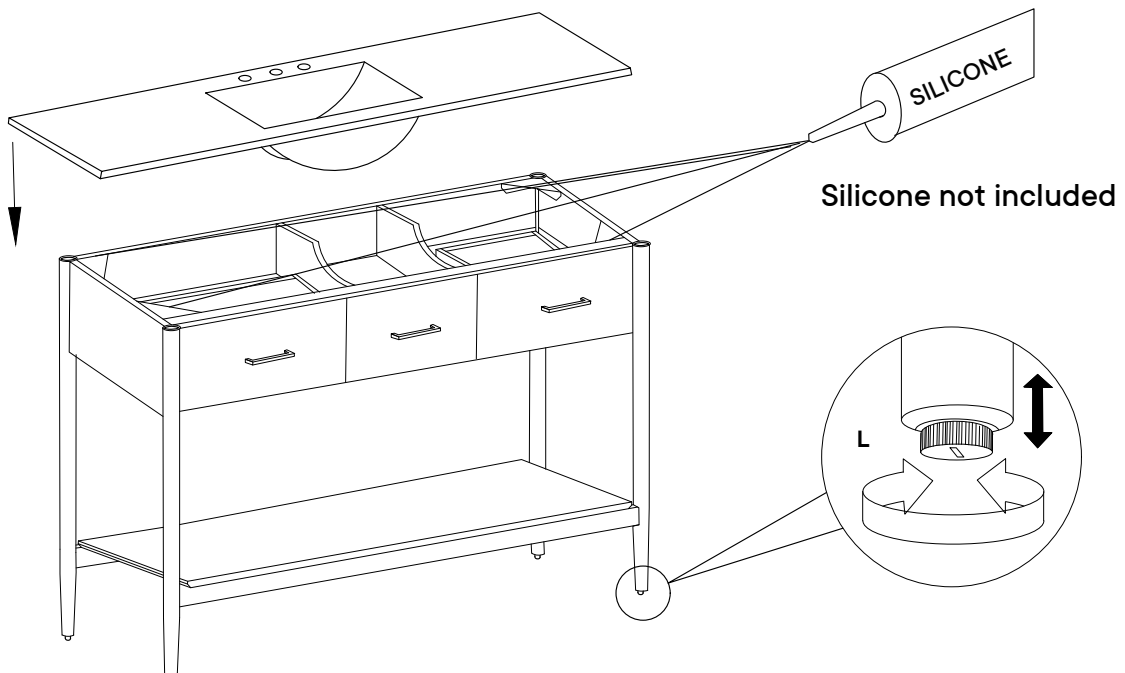
Step 8



Note: Wall plugs, screws and tools are not included.
MOUNTING THE CABINET TO THE WALL
The cabinet may pose a danger if not properly mounted or secured to the wall.
Please ensure the correct hardware is used for your particular wall type.
It is recommended to engage a professional installer.

Step 9

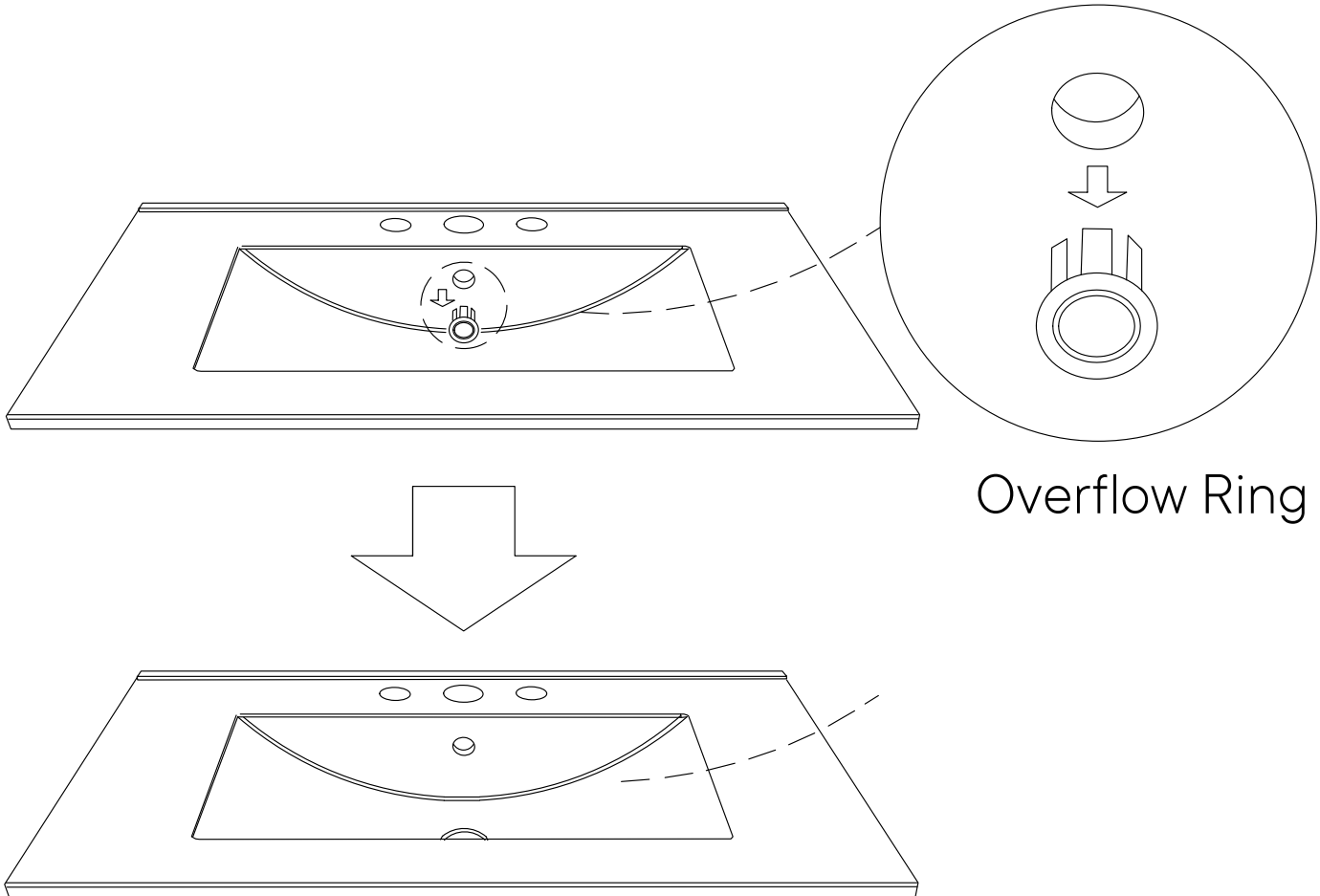
Apply a thin bead of silicone compound around the vanity base and set the vanity top carefully in place. Remove any excess silicone compound with a wet rag



Silicone not included

A quick note...

Your sink basin comes complete with a silver overflow ring.
If you'd like to remove this overflow ring, you can do so by hand.



Overflow Ring

Wait!

Missing parts or hardware? Need assistance?
Contact us before returning your items. We're here to help!
609.256.9000 . cs@modway.com

Great job!

Vanity assembly is complete.

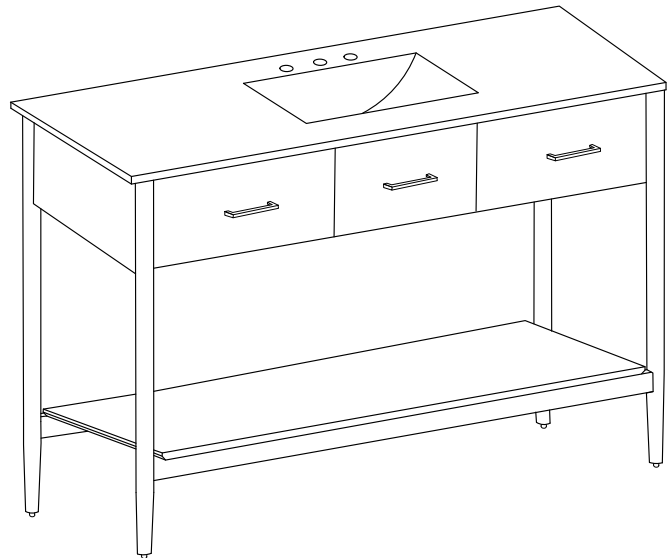
♥ CARING FOR YOUR ITEM

Indoor use only.

Not contract grade.

Clean using a non-abrasive cloth and a mild cleaner.

Never use harsh chemicals, as they could damage the finish or integrity of the item.



CONNECT WITH US!



Tag us **@modway_furniture** and **#modway** for a chance to be featured.