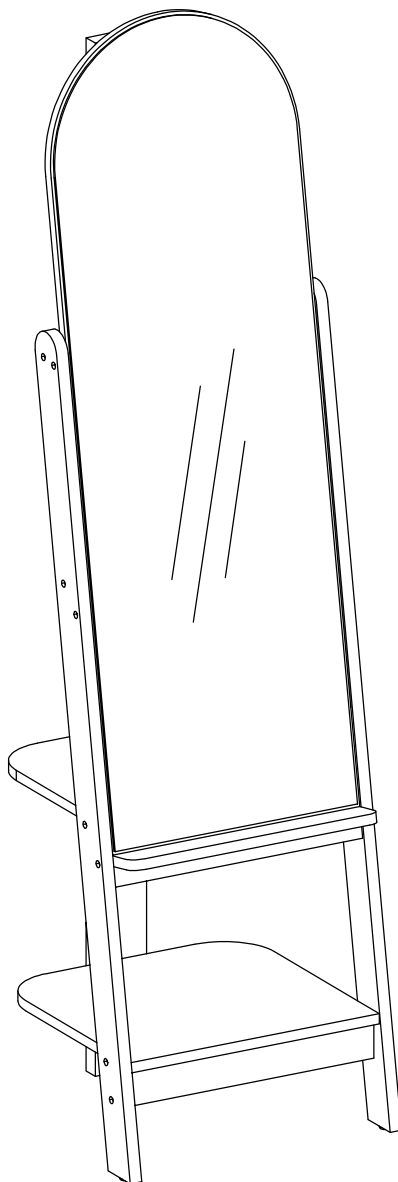


# ASSEMBLY INSTRUCTIONS

# EEI-6346

V0.02.02.23



**Questions? Contact us!**

609.256.9000 • [cs@modway.com](mailto:cs@modway.com)  
[www.modway.com](http://www.modway.com)

**\*modway**

# Let's get started!

\*modway



Read through all of the instructions before starting



Care instructions are listed in the last step of this manual



Approx. 60 minutes assembly time



Make sure you have all parts and components before discarding any packing materials



2 people recommended for assembly

Only use hand tools to assemble this item. Do not use power tools. Do not tighten bolts or screws completely until all hardware is lined up and inserted into the holes.

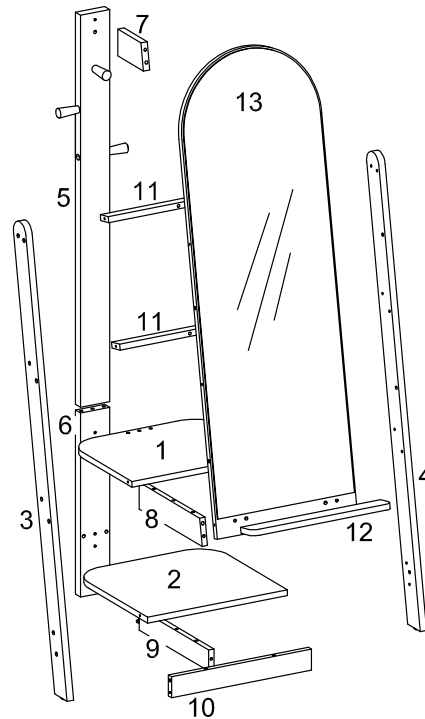
Do not over-tighten screws and bolts to avoid stripping the hardware or cracking the item.

Assemble your item on a flat, carpeted area, with plenty of space to work. This will prevent damage and scratches to your floors or the item while you're assembling the product.

Keep all components and packaging out of reach of children or animals to avoid risk of choking or suffocation.

## Furniture components:

1	Top Shelf	x1
2	Bottom Shelf	x1
3	Pillar Left	x1
4	Pillar Right	x1
5	Pillar Top Rear	x1
6	Pillar Bottom Rear	x1
7	Top Support	x1
8	Top Middle Support	x1
9	Bottom Middle Support	x1
10	Bottom Front Support	x1
11	Pillar Support	x2
12	Mirror Support	x1
13	Mirror	x1



## Provided hardware:

A		Cam Lock Ø15 mm	x9
B		Cam Bolt Ø7.5 x 32 mm	x7
C		Screw Cap Ø10 mm	x20
D		Plastic Dowel Ø8 x 32 mm	x19
E		Plastic Dowel Ø8 x 40 mm	x2
F		Screw M 10 x 33.5 mm	x2
G		Screw M 6.3 x 50 mm	x20

H		Double End Ø7 x 67.5 mm	x1
I		Screw M 6 x 30 mm	x1
J		Screw M 6 x 60 mm	x2
K		Handle	x3
L		Allen Key	x1
M		Screw Cap Ø17 mm	x7
N		Screw Cap Ø15 mm	x5

## What you need:

Phillips Head Screwdriver

## You may also need:

+ Power Drill

Wait!

Missing parts or hardware? Need assistance?

Contact us before returning your item. We're here to help!

609.256.9000 • cs@modway.com

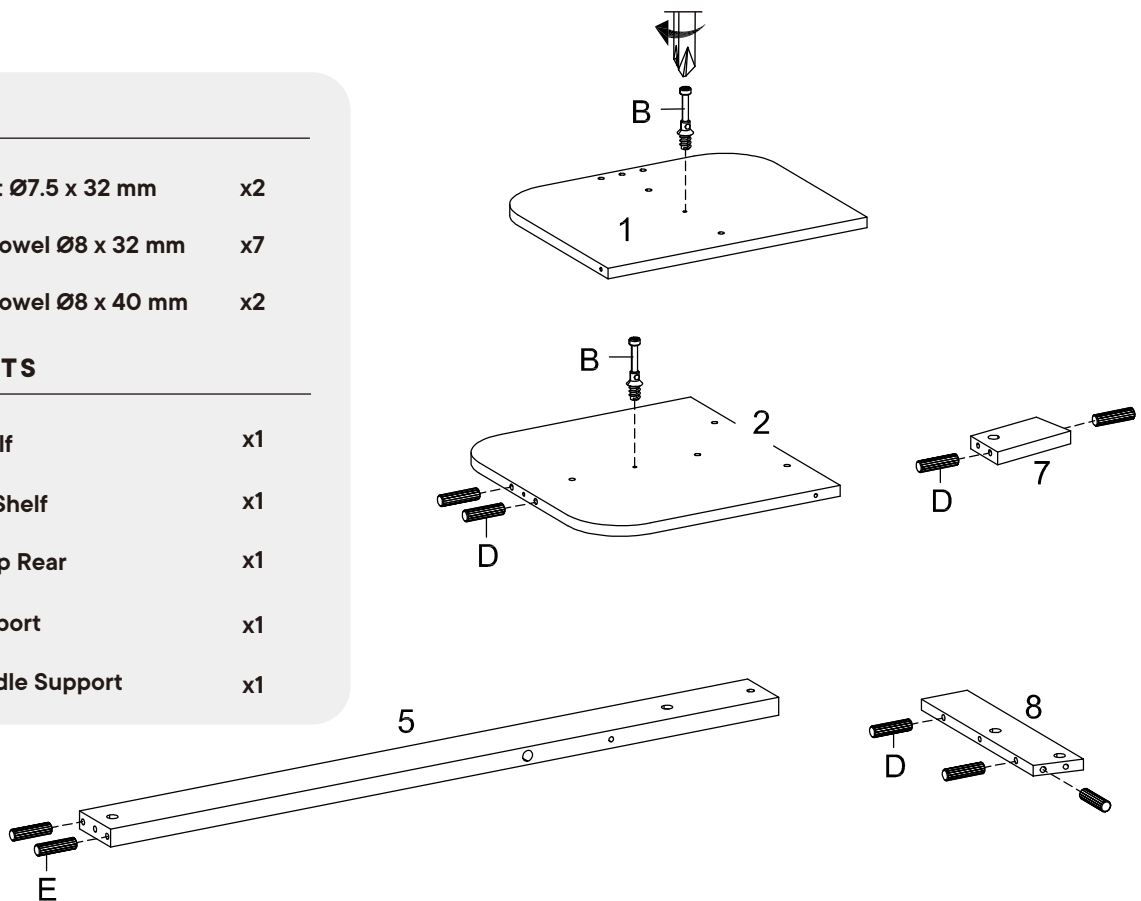
# Step 1

## HARDWARE

- B** Cam Bolt  $\varnothing 7.5 \times 32$  mm x2
- D** Plastic Dowel  $\varnothing 8 \times 32$  mm x7
- E** Plastic Dowel  $\varnothing 8 \times 40$  mm x2

## COMPONENTS

- 1** Top Shelf x1
- 2** Bottom Shelf x1
- 5** Pillar Top Rear x1
- 7** Top Support x1
- 8** Top Middle Support x1



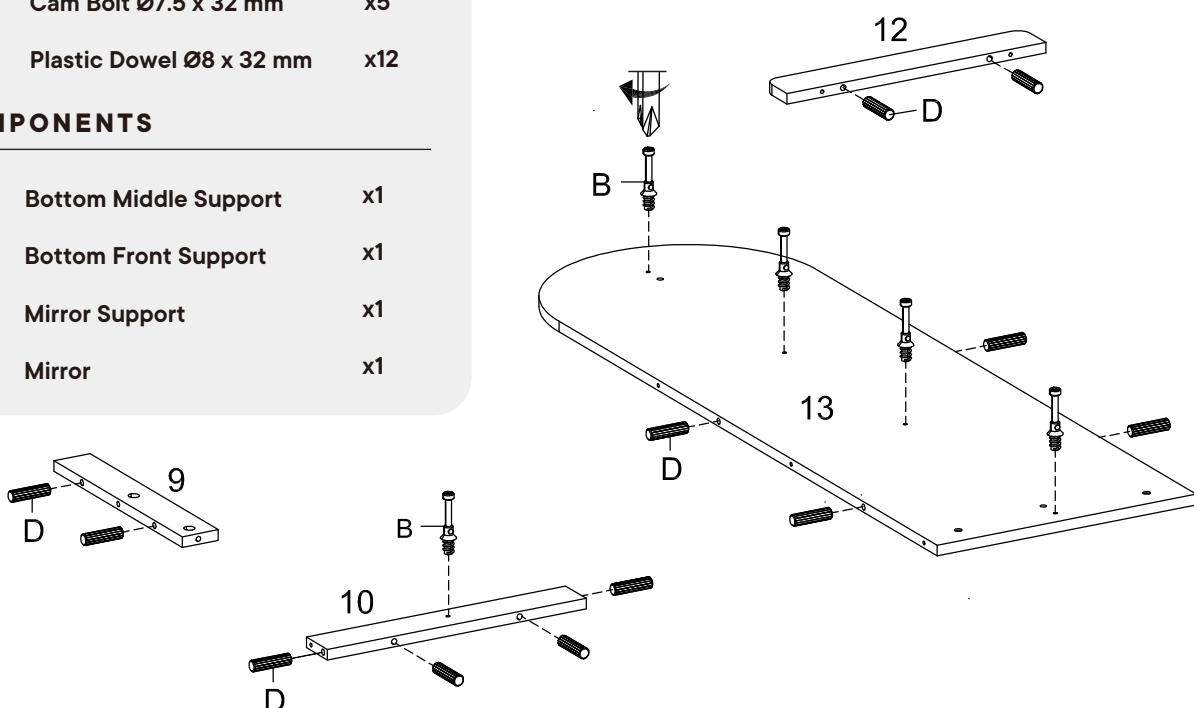
# Step 2

## HARDWARE

- B** Cam Bolt  $\varnothing 7.5 \times 32$  mm x5
- D** Plastic Dowel  $\varnothing 8 \times 32$  mm x12

## COMPONENTS

- 9** Bottom Middle Support x1
- 10** Bottom Front Support x1
- 12** Mirror Support x1
- 13** Mirror x1



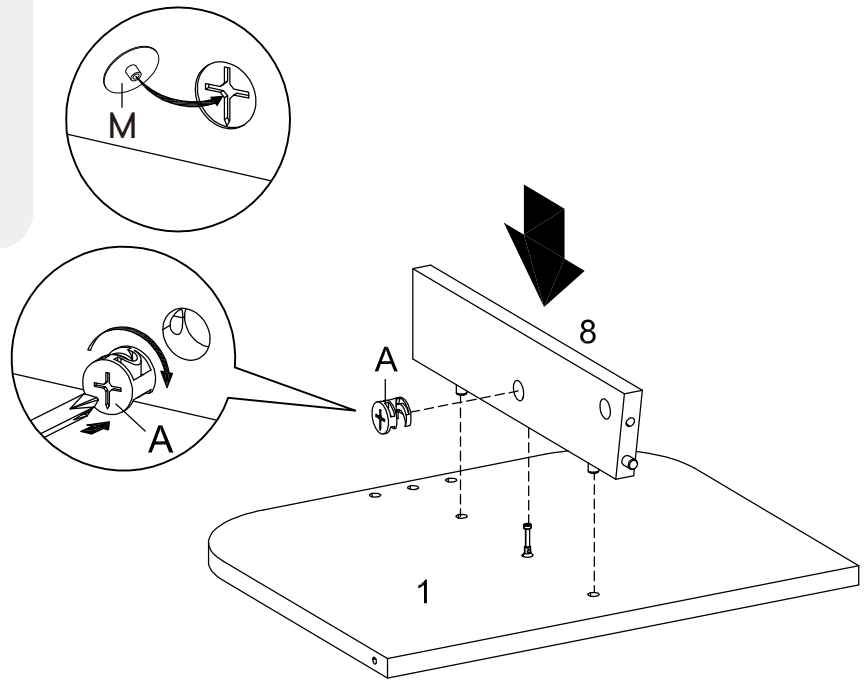
## Step 3

### HARDWARE

- A** Cam Lock Ø15 mm x1
- M** Screw Cap Ø17 mm x1

### COMPONENTS

- 1** Top Shelf x1
- 8** Top Middle Support x1



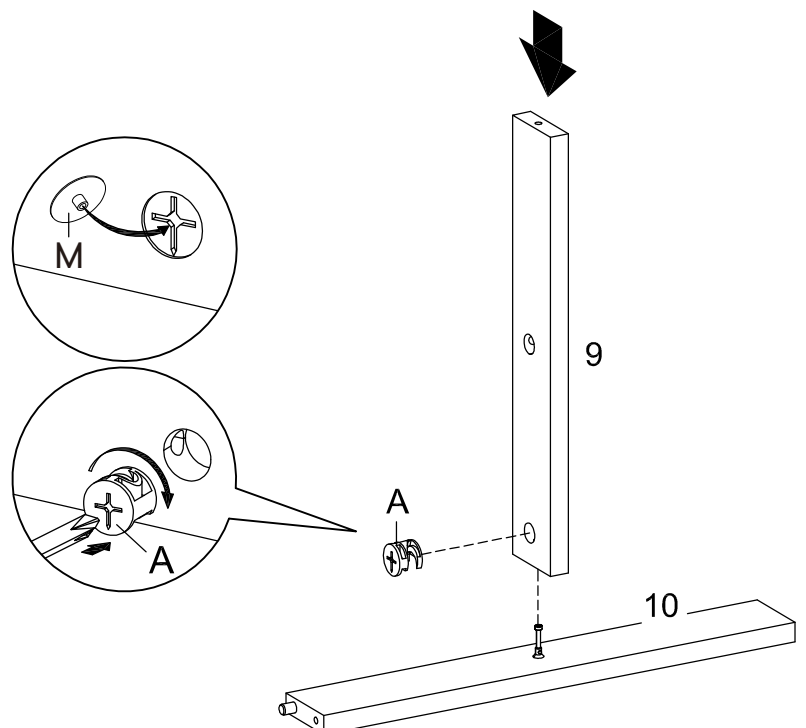
## Step 4

### HARDWARE

- A** Cam Lock Ø15 mm x1
- M** Screw Cap Ø17 mm x1

### COMPONENTS

- 9** Bottom Middle Support x1
- 10** Bottom Front Support x1



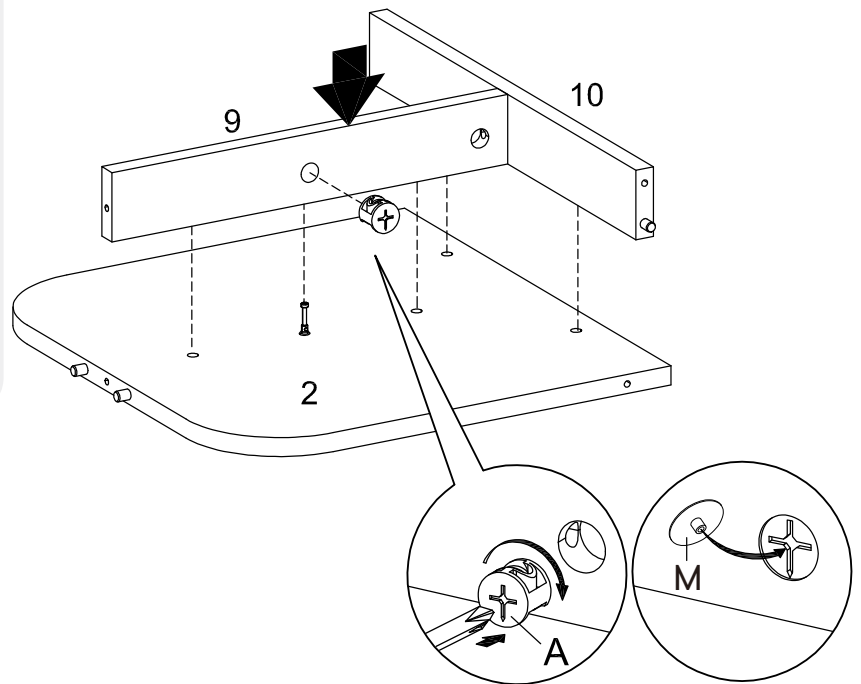
## Step 5

### HARDWARE

- A** Cam Lock Ø15 mm x1
- M** Screw Cap Ø17 mm x1

### COMPONENTS

- 2** Bottom Shelf x1
- 9** Bottom Middle Support x1
- 10** Bottom Front Support x1



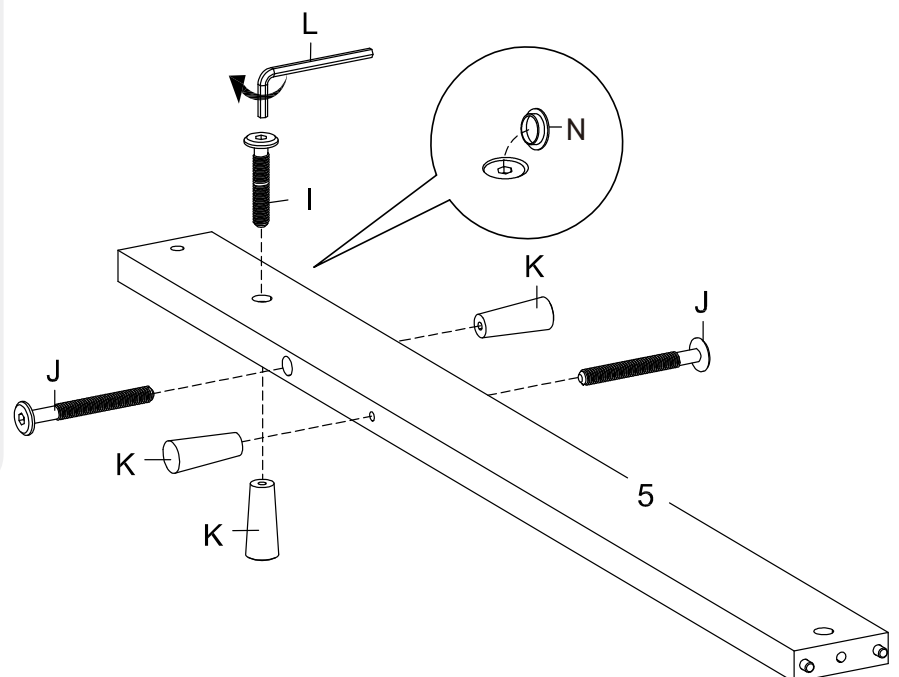
## Step 6

### HARDWARE

- I** Screw M 6 x 30 mm x1
- J** Screw M 6 x 60 mm x2
- K** Handle x3
- L** Allen Key x1
- N** Screw Cap Ø15 mm x3

### COMPONENTS

- 5** Pillar Top Rear x1



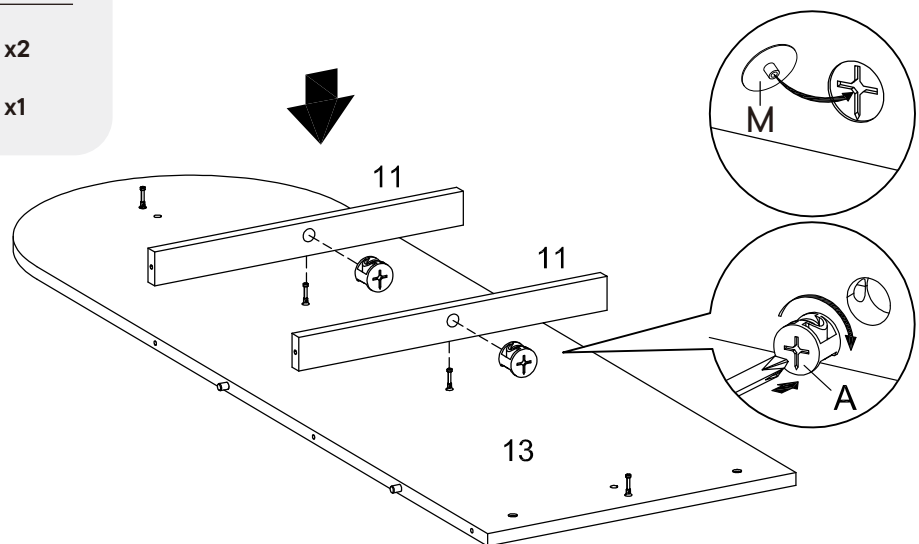
## Step 7

### HARDWARE

- A** Cam Lock Ø15 mm x2
- M** Screw Cap Ø17 mm x2

### COMPONENTS

- 11** Pillar Support x2
- 13** Mirror x1



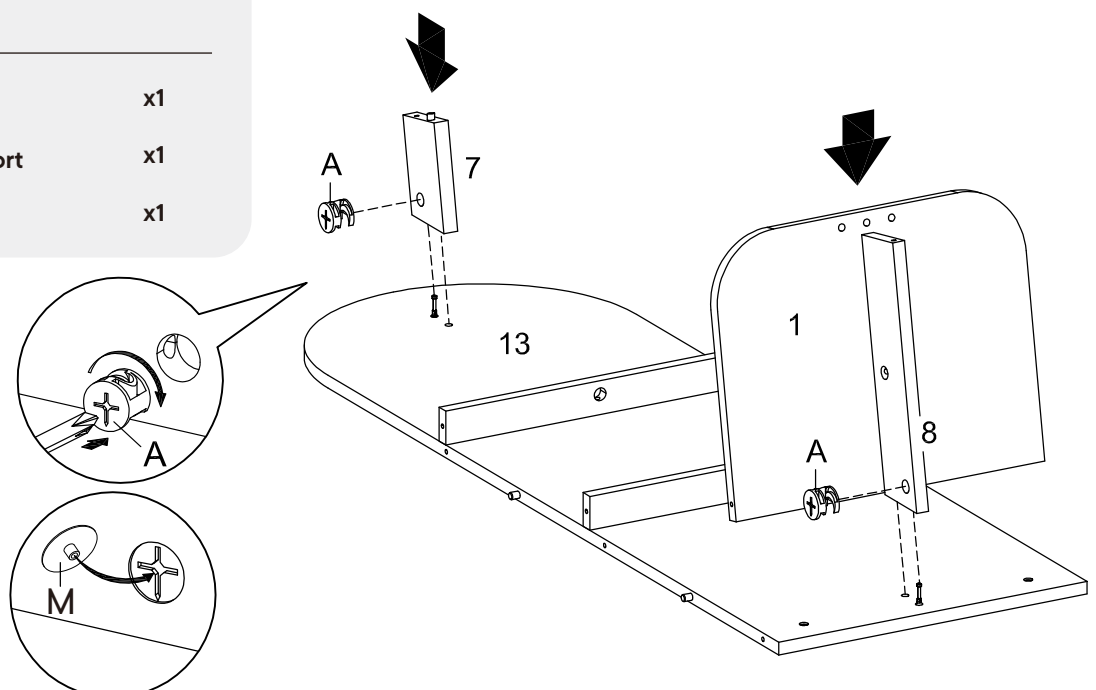
## Step 8

### HARDWARE

- A** Cam Lock Ø15 mm x2
- M** Screw Cap Ø17 mm x2

### COMPONENTS

- 7** Top Support x1
- 8** Top Middle Support x1
- 13** Mirror x1



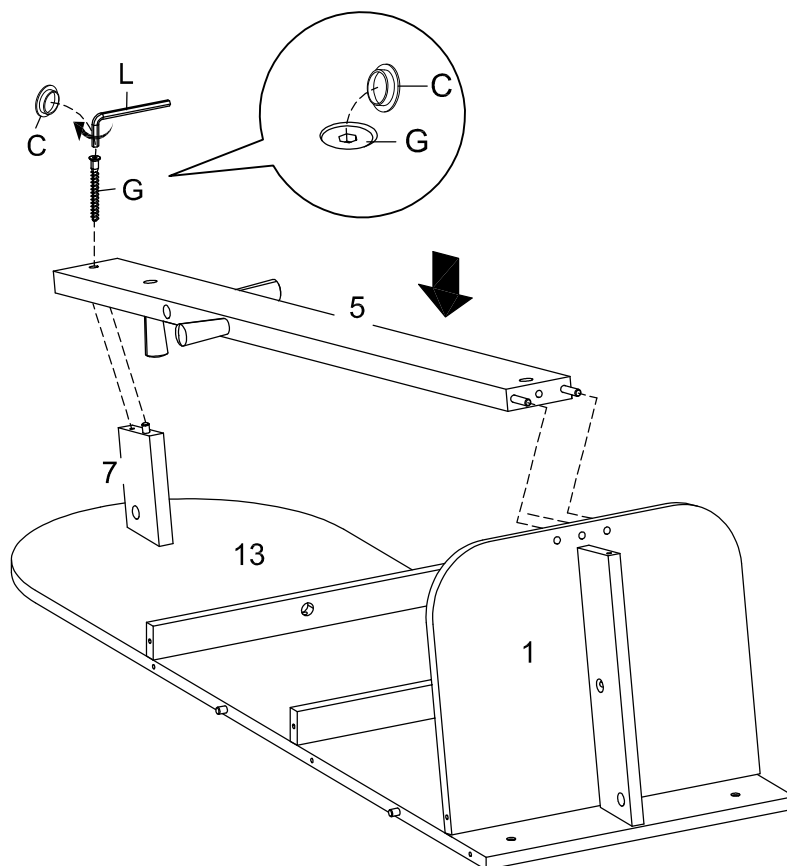
## Step 9

### HARDWARE

- |          |                     |    |
|----------|---------------------|----|
| <b>C</b> | Screw Cap Ø10 mm    | x1 |
| <b>G</b> | Screw M 6.3 x 50 mm | x1 |

### COMPONENTS

- |          |                 |    |
|----------|-----------------|----|
| <b>1</b> | Top Shelf       | x1 |
| <b>5</b> | Pillar Top Rear | x1 |
| <b>7</b> | Top Support     | x1 |



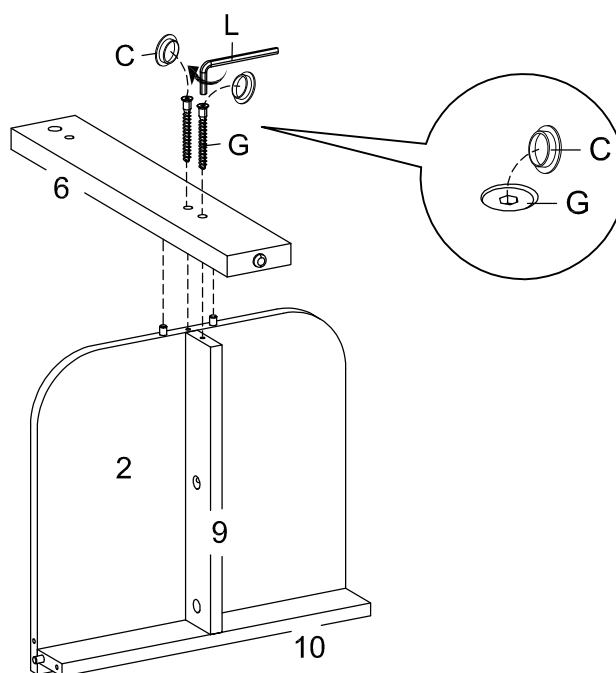
## Step 10

### HARDWARE

- |          |                     |    |
|----------|---------------------|----|
| <b>C</b> | Screw Cap Ø10 mm    | x2 |
| <b>G</b> | Screw M 6.3 x 50 mm | x2 |

### COMPONENTS

- |          |                       |    |
|----------|-----------------------|----|
| <b>2</b> | Bottom Shelf          | x1 |
| <b>6</b> | Pillar Bottom Rear    | x1 |
| <b>9</b> | Bottom Middle Support | x1 |



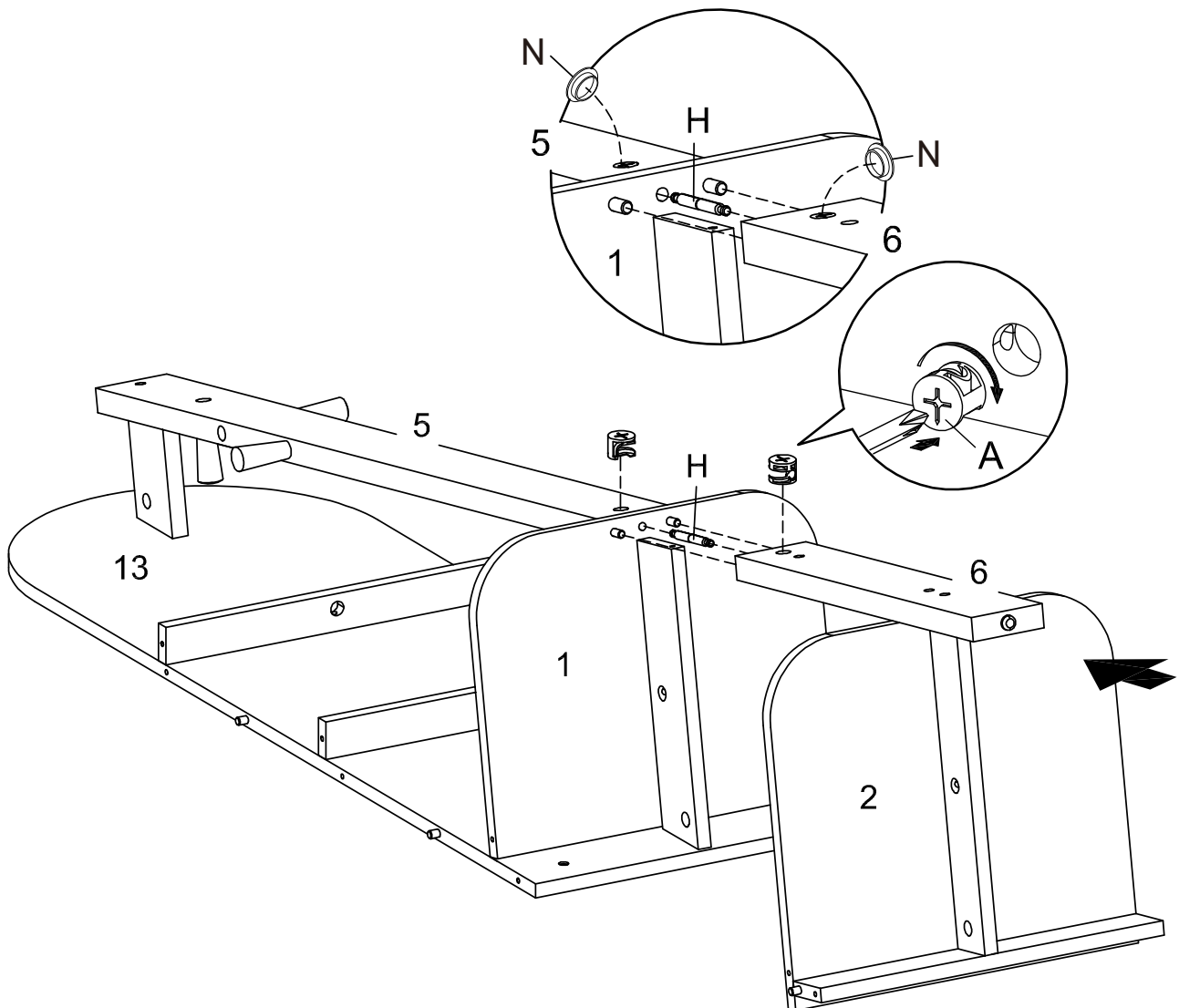
# Step 11

## HARDWARE

<b>A</b>	Cam Lock Ø15 mm	x2
<b>H</b>	Double End Ø7 x 67.5 mm	x1
<b>N</b>	Screw Cap Ø15 mm	x2

## COMPONENTS

<b>1</b>	Top Shelf	x1
<b>5</b>	Pillar Top Rear	x1
<b>6</b>	Pillar Bottom Rear	x1





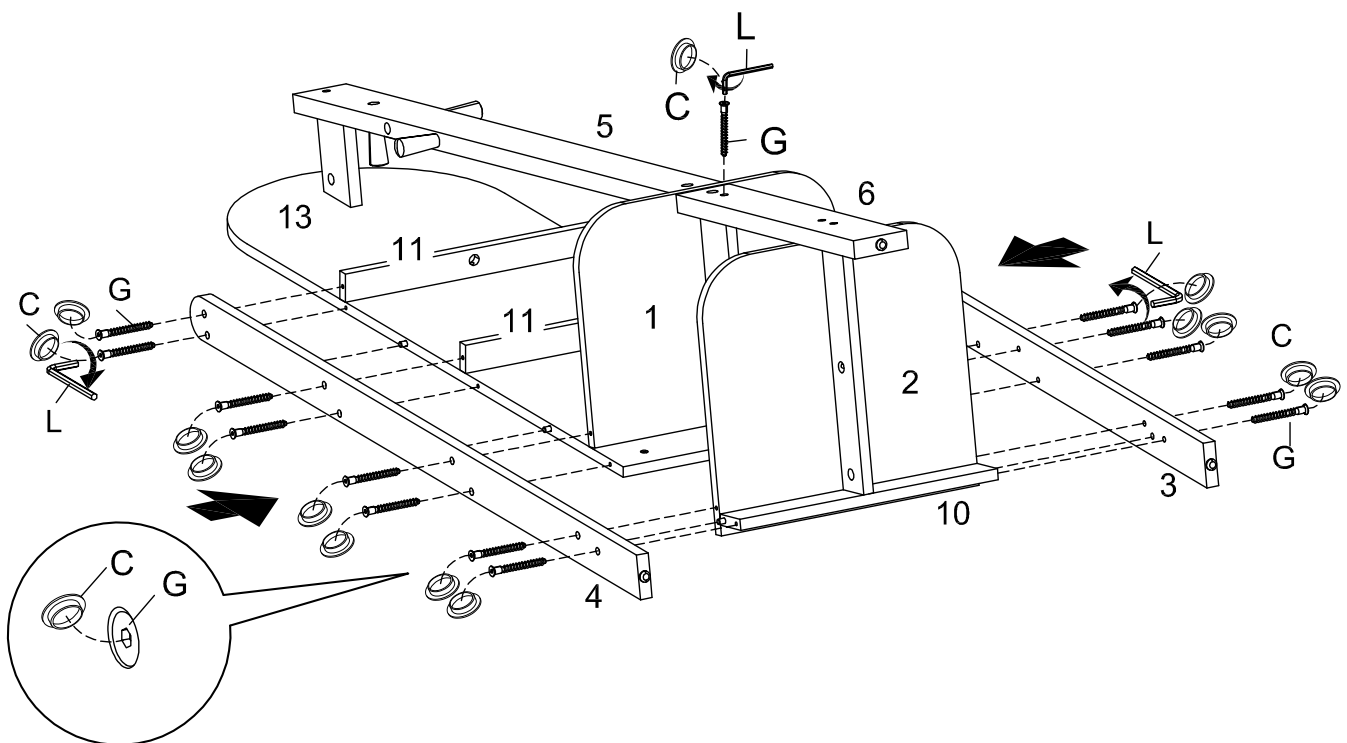
# Step 12

## HARDWARE

- C** Screw Cap Ø10 mm x17
- G** Screw M 6.3 x 50 mm x17

## COMPONENTS

- 1** Top Shelf x1
- 2** Bottom Shelf x1
- 3** Pillar Left x1
- 4** Pillar Right x1
- 10** Bottom Front Support x1
- 11** Pillar Support x2
- 13** Mirror x1



# Step 13

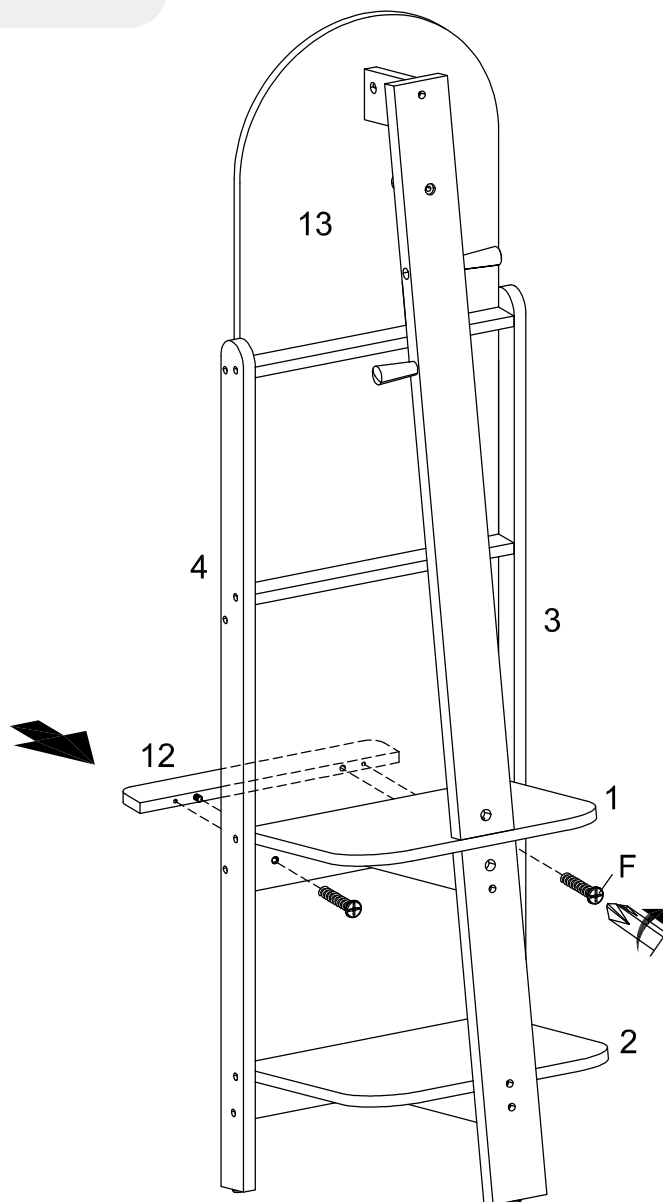
## HARDWARE

**F** Screw M 10 x 33.5 mm x2

## COMPONENTS

**12** Mirror Support x1

**13** Mirror x1



# Great job!

Mirror assembly is complete.



## CARING FOR YOUR ITEM

Indoor use only.

Not contract grade.

Clean using a non-abrasive cloth and a mild cleaner.

Never use harsh chemicals, as they could damage the finish or integrity of the item.

CONNECT WITH US!   

Tag us [@modway\\_furniture](#) and [#modway](#) for a chance to be featured.

Max 35Kgs

Max 35Kgs

