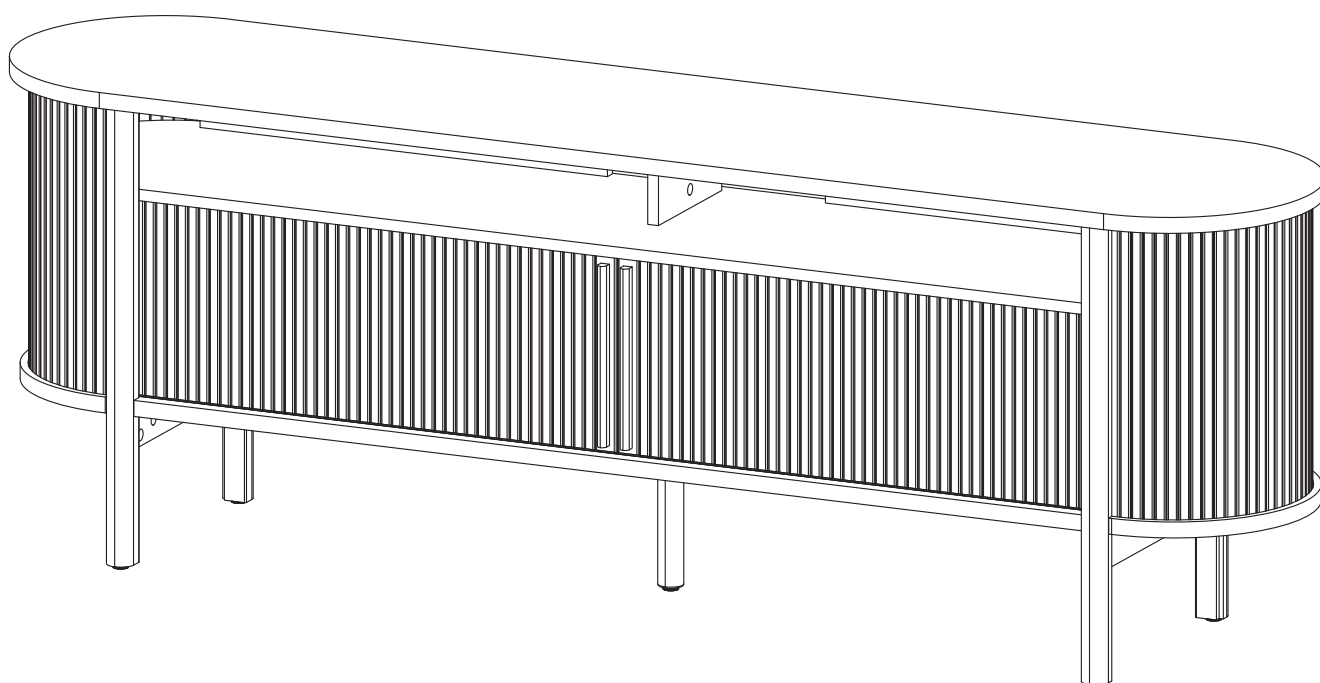


ASSEMBLY INSTRUCTIONS

EEI-6310

VO.01.30.23



Questions? Contact us!

609.256.9000 • cs@modway.com
www.modway.com

*modway

Let's get started!

*modway



Read through all of the instructions before starting



Care instructions are listed in the last step of this manual



Approx. 60 minutes assembly time



Make sure you have all parts and components before discarding any packing materials



2 people recommended for assembly

Only use hand tools to assemble this item. Do not use power tools. Do not tighten bolts or screws completely until all hardware is lined up and inserted into the holes.

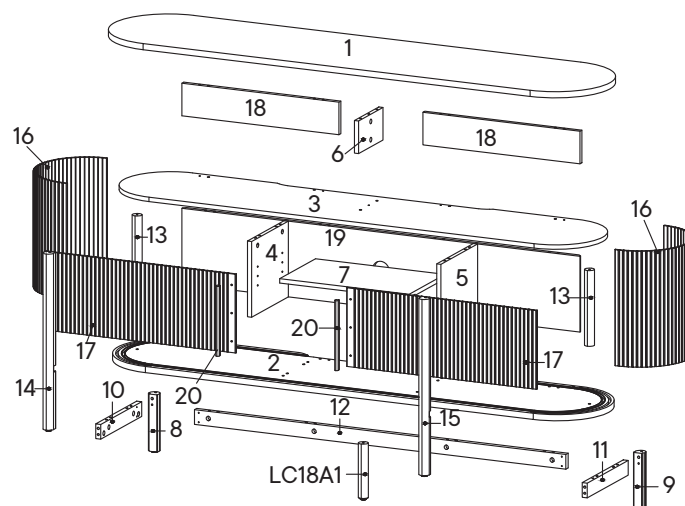
Do not over-tighten screws and bolts to avoid stripping the hardware or cracking the item.

Assemble your item on a flat, carpeted area, with plenty of space to work. This will prevent damage and scratches to your floors or the item while you're assembling the product.

Keep all components and packaging out of reach of children or animals to avoid risk of choking or suffocation.

Furniture components:

1	Top Board	x1	11	Bottom Skirt Right	x1	LC18A1	Center Leg	x1
2	Bottom Board	x1	12	Bottom Skirt Center	x1			
3	Fixed Shelf	x1	13	Pillar	x2			
4	Center Board Left	x1	14	Front Leg Left	x1			
5	Center Board Right	x1	15	Front Leg Right	x1			
6	Center Board Small	x1	16	Bar Side	x2			
7	Adjustable Shelf	x1	17	Bar Sliding Door	x2			
8	Back Leg Left	x1	18	Back Board Small	x2			
9	Back Leg Right	x1	19	Back Board Big	x1			
10	Bottom Skirt Left	x1	20	Handle	x2			



Provided hardware:

A		Cam Bolt $\varnothing 6 \times 35$ mm	x32	J		Screw M 4.5 x 12.5 mm	x12
B		Cam Lock $\varnothing 15$ mm	x32	K		Stopper	x2
C		Screw Cap $\varnothing 15$ mm	x6	L		Grommet	x1
D		Wood Dowel $\varnothing 8 \times 30$ mm	x40	M		Bracket	x2
E		Screw M 7 x 50 mm	x10	PM2		Mounting Plate	x1
F		Allen Key	x2				
G		Shelf Pin	x4				
H		Screw M 6 x 30 mm	x2				
I		Screw M 4 x 16 mm	x6				

What you need:

Phillips Head Screwdriver

Wait!

Missing parts or hardware? Need assistance?
Contact us before returning your item. We're here to help!
609.256.9000 • cs@modway.com

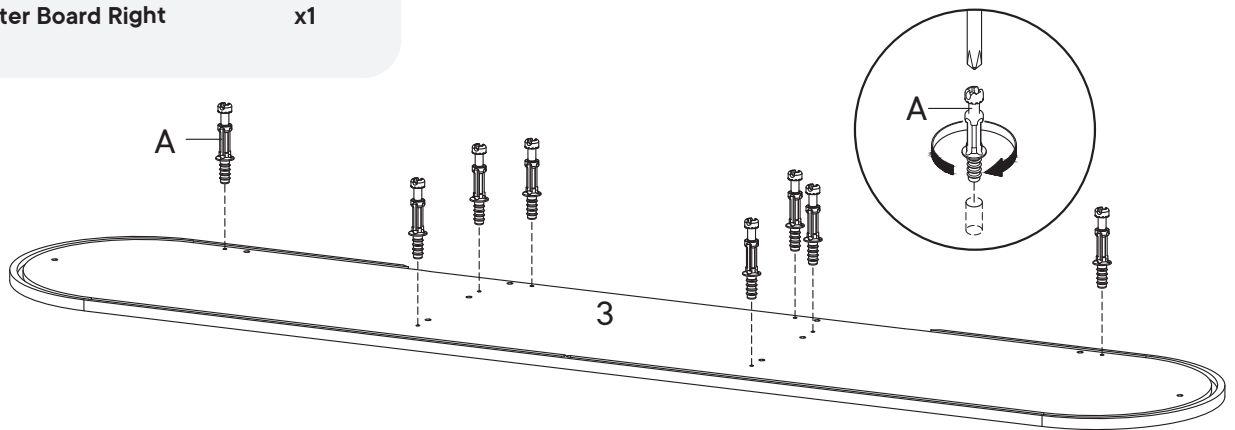
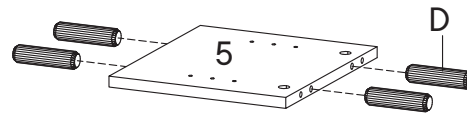
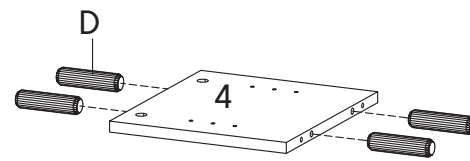
Step 1

HARDWARE

- A** Cam Bolt Ø6 x 35 mm x8
- D** Wood Dowel Ø8 x 30 mm x8

COMPONENTS

- 3** Fixed Shelf x1
- 4** Center Board Left x1
- 5** Center Board Right x1



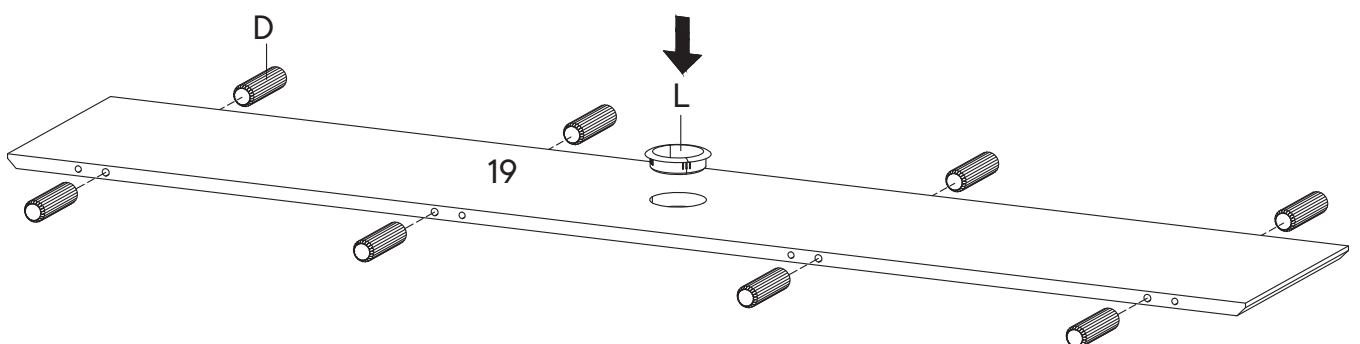
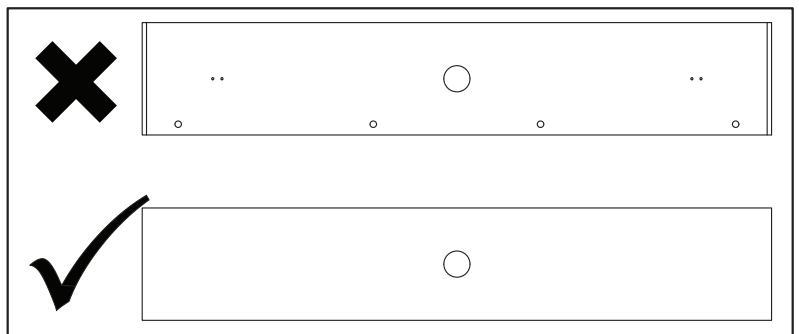
Step 2

HARDWARE

- D** Wood Dowel Ø8 x 30 mm x8
- L** Grommet x1

COMPONENTS

- 19** Back Board Big x1



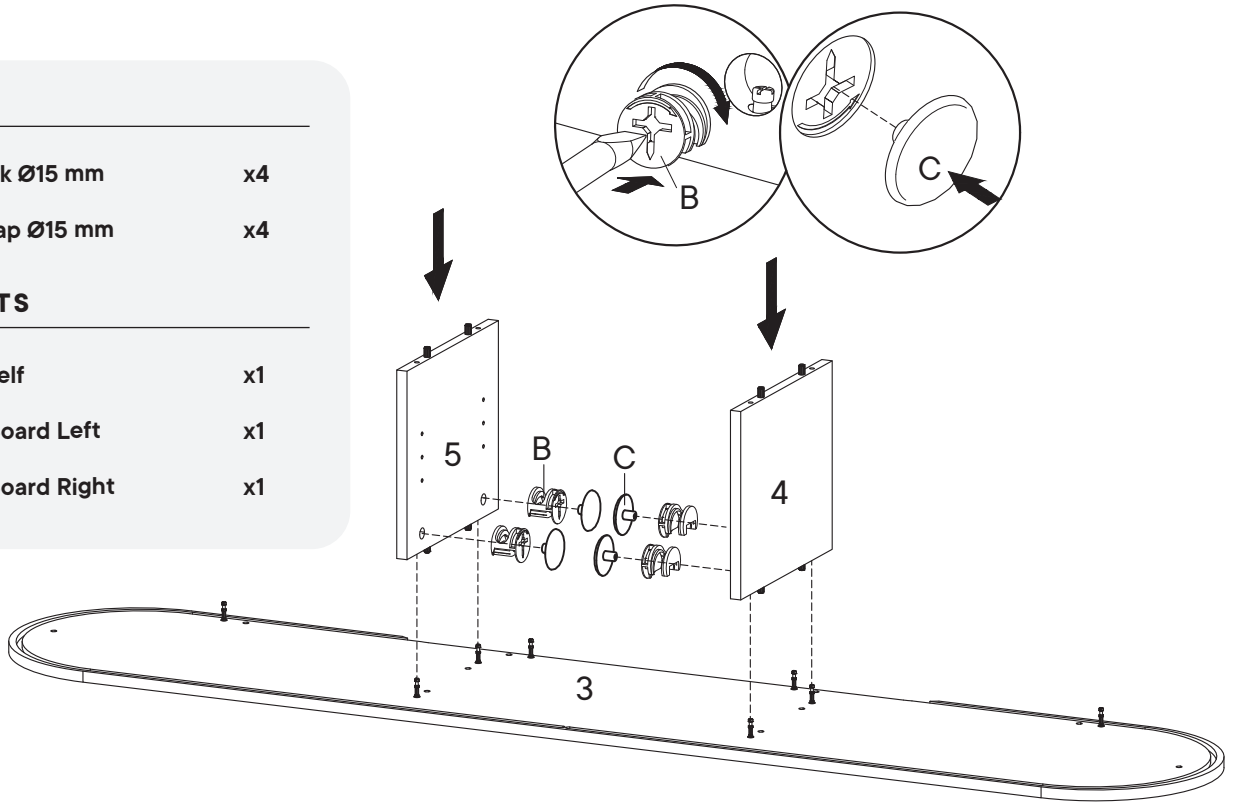
Step 3

HARDWARE

- B** Cam Lock Ø15 mm x4
- C** Screw Cap Ø15 mm x4

COMPONENTS

- 3** Fixed Shelf x1
- 4** Center Board Left x1
- 5** Center Board Right x1



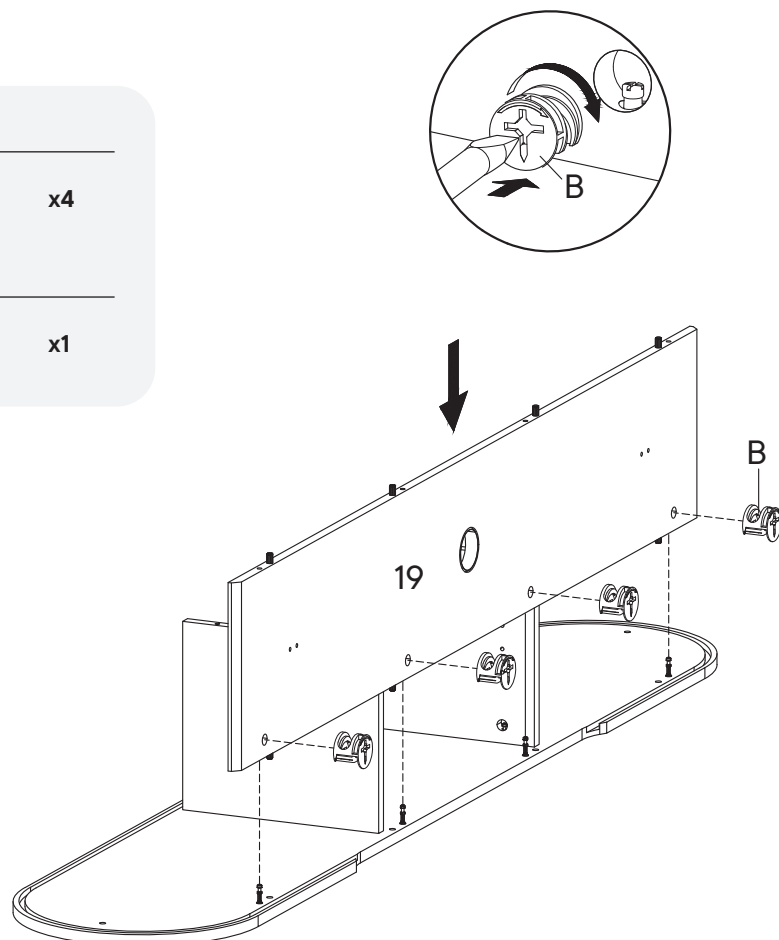
Step 4

HARDWARE

- B** Cam Lock Ø15 mm x4

COMPONENTS

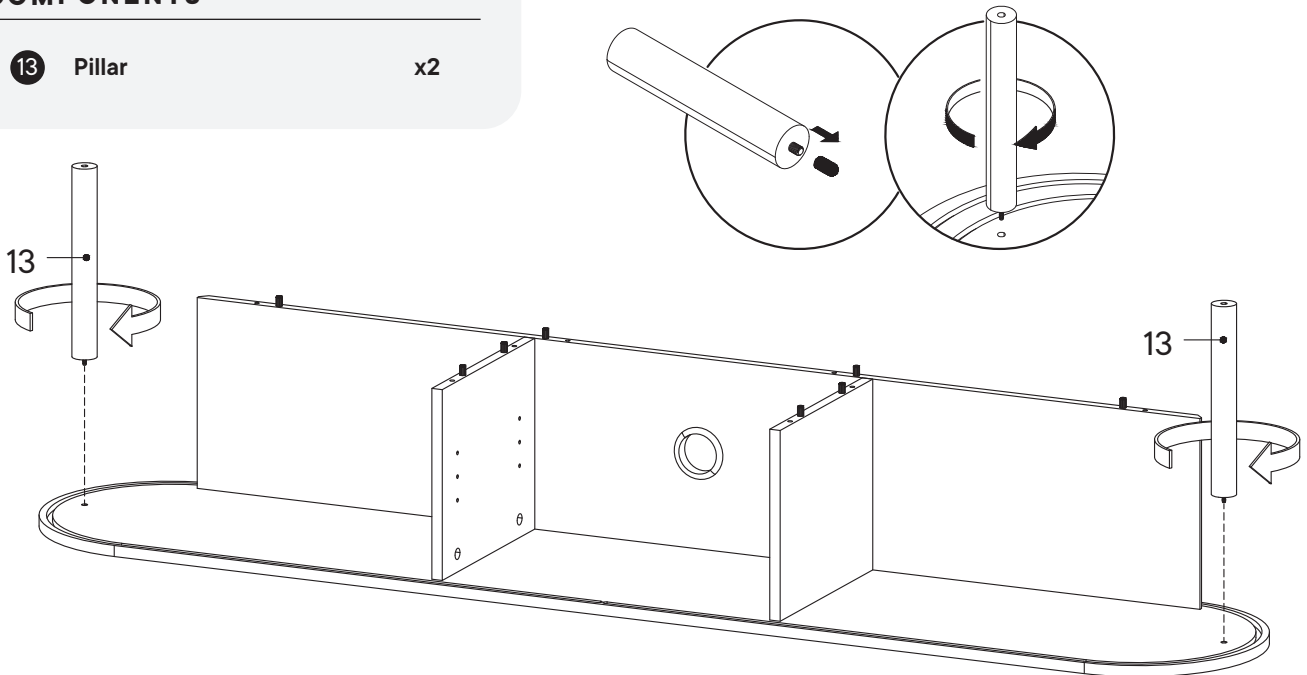
- 19** Back Board Big x1



Step 5

COMPONENTS

- 13 Pillar x2



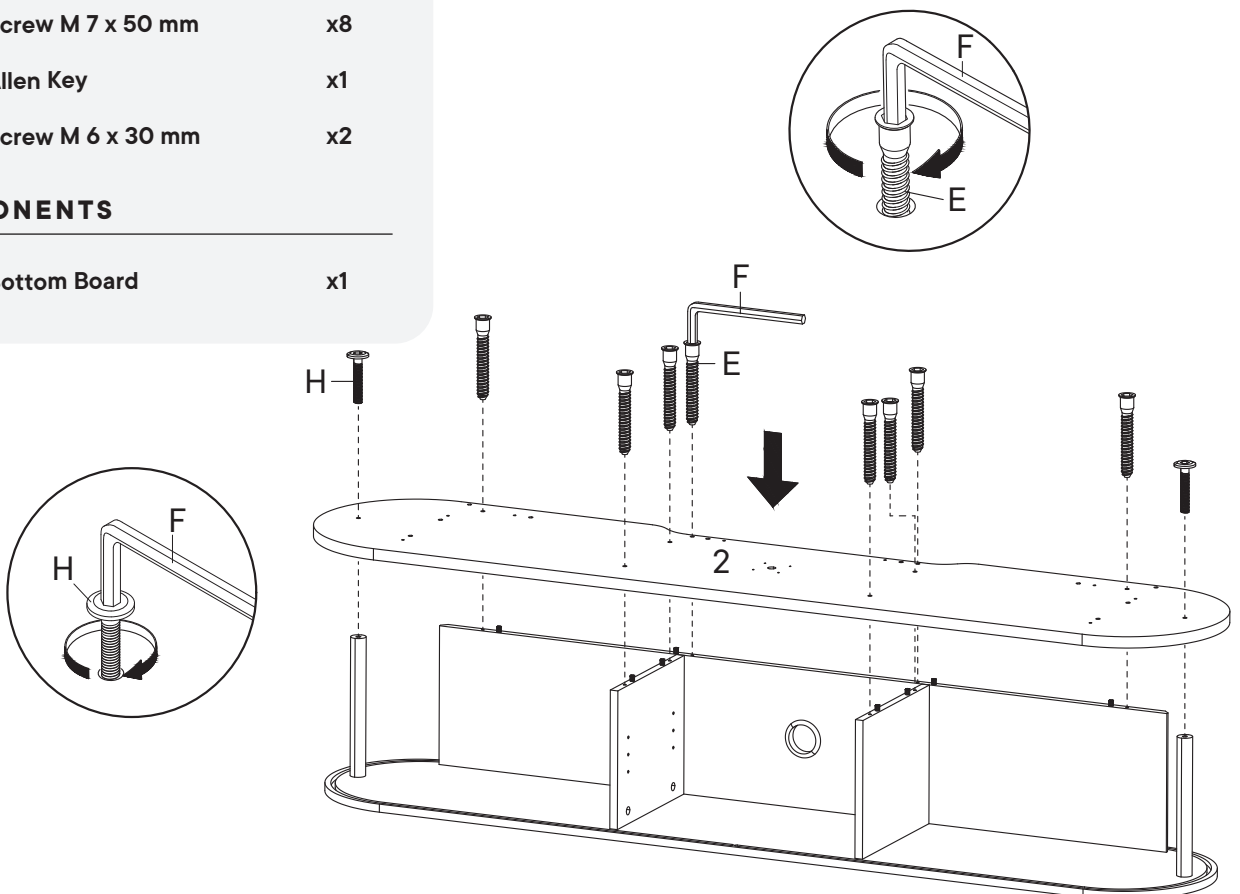
Step 6

HARDWARE

- E Screw M 7 x 50 mm x8
- F Allen Key x1
- H Screw M 6 x 30 mm x2

COMPONENTS

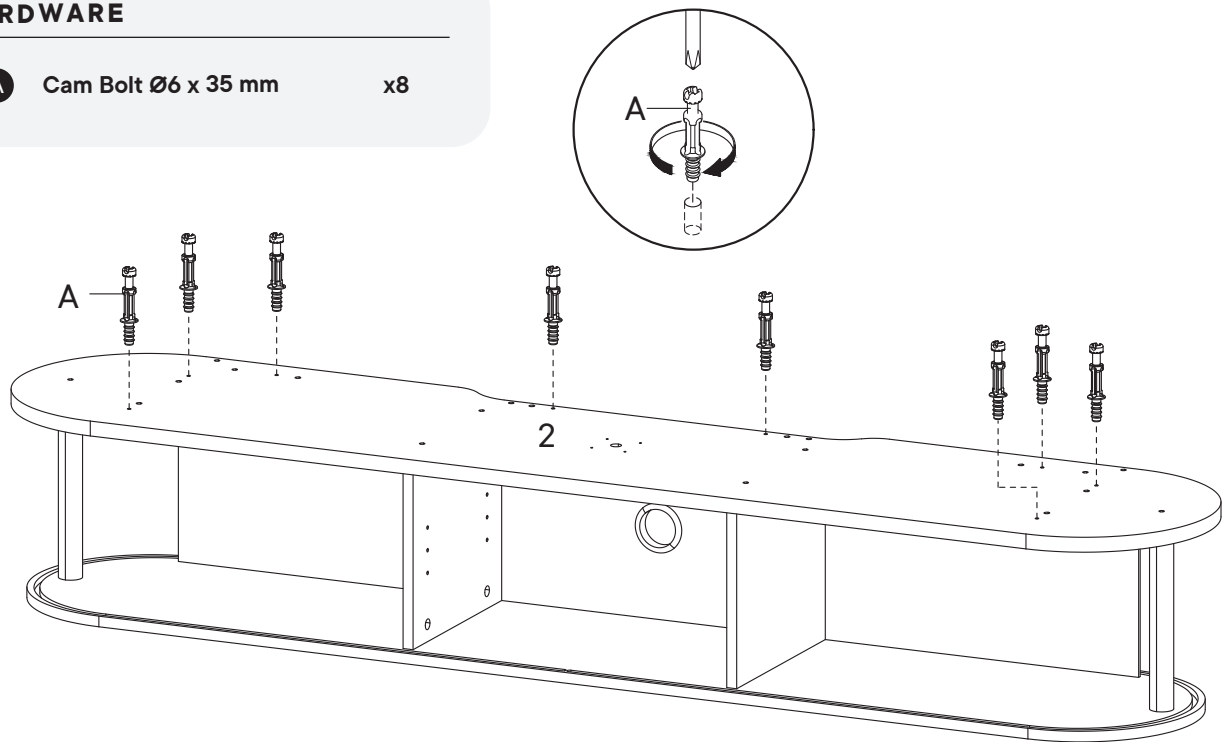
- 2 Bottom Board x1



Step 7

HARDWARE

- A** Cam Bolt $\varnothing 6 \times 35$ mm x8



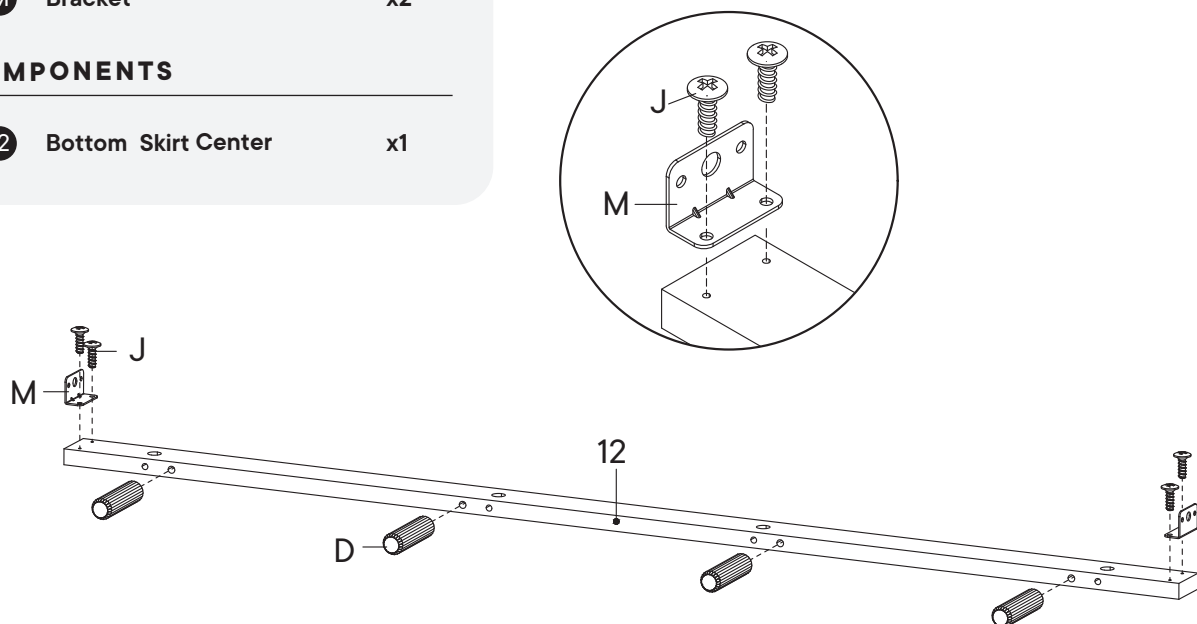
Step 8

HARDWARE

- D** Wood Dowel $\varnothing 8 \times 30$ mm x4
- J** Screw M 4.5 x 12.5 mm x4
- M** Bracket x2

COMPONENTS

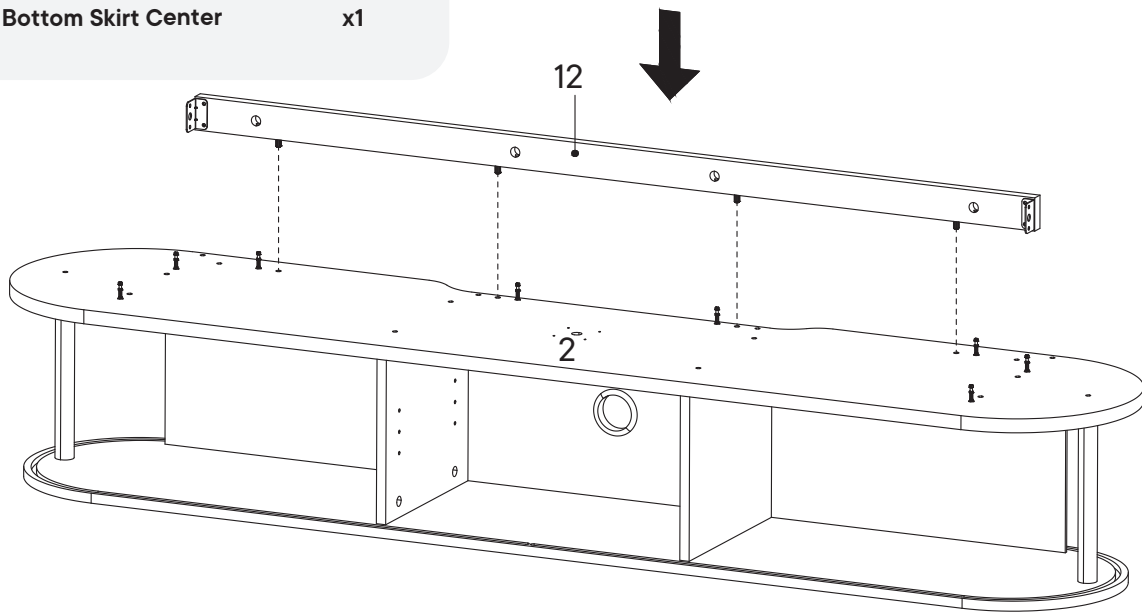
- 12** Bottom Skirt Center x1



Step 9

COMPONENTS

- 12 Bottom Skirt Center x1



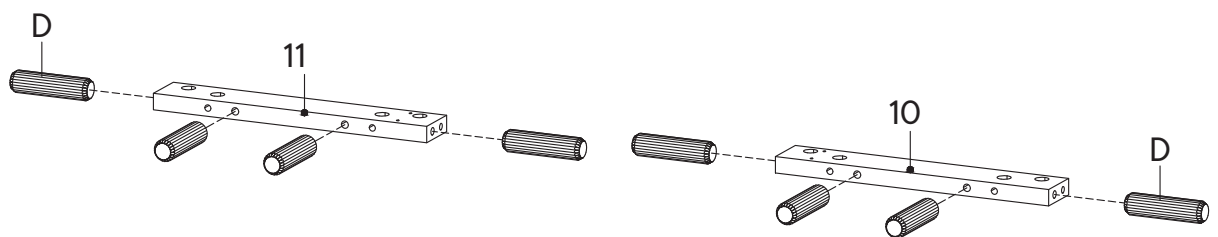
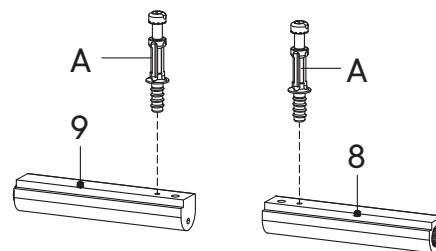
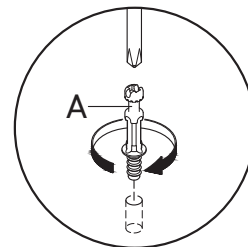
Step 10

HARDWARE

- A Cam Bolt $\varnothing 6 \times 35$ mm x2
- D Wood Dowel $\varnothing 8 \times 30$ mm x8

COMPONENTS

- 8 Back Leg Left x1
- 9 Back Leg Right x1
- 10 Bottom Skirt Left x1
- 11 Bottom Skirt Right x1



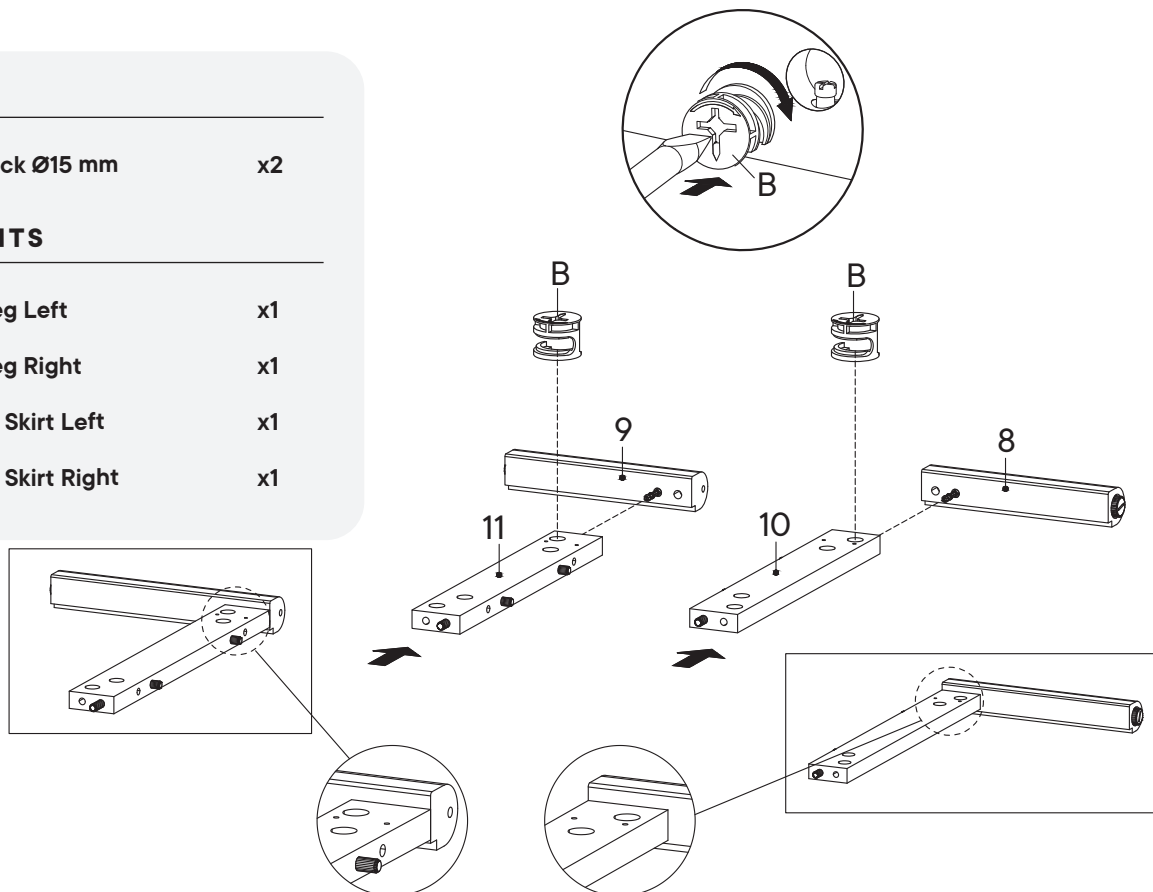
Step 11

HARDWARE

- B** Cam Lock Ø15 mm x2

COMPONENTS

- 8** Back Leg Left x1
- 9** Back Leg Right x1
- 10** Bottom Skirt Left x1
- 11** Bottom Skirt Right x1



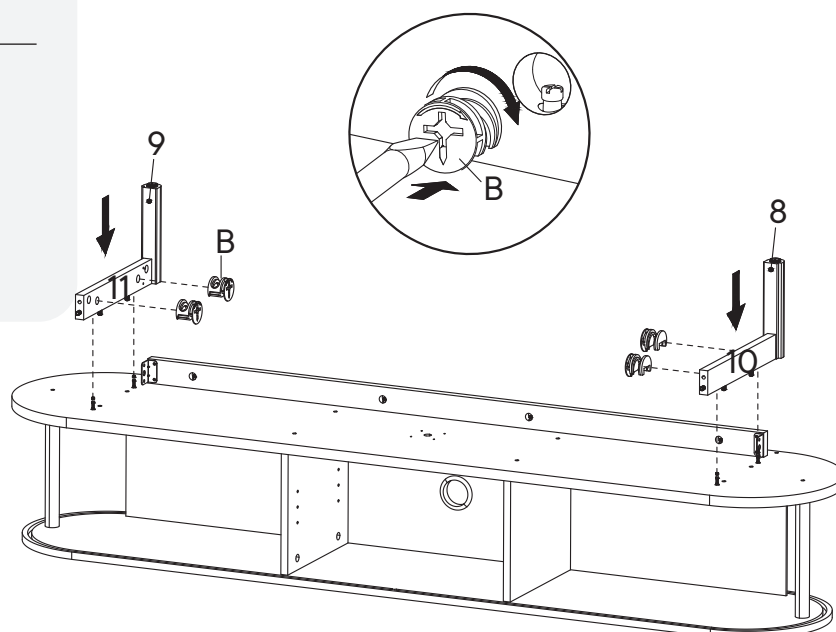
Step 12

HARDWARE

- B** Cam Lock Ø15 mm x4

COMPONENTS

- 8** Back Leg Left x1
- 9** Back Leg Right x1
- 10** Bottom Skirt Left x1
- 11** Bottom Skirt Right x1

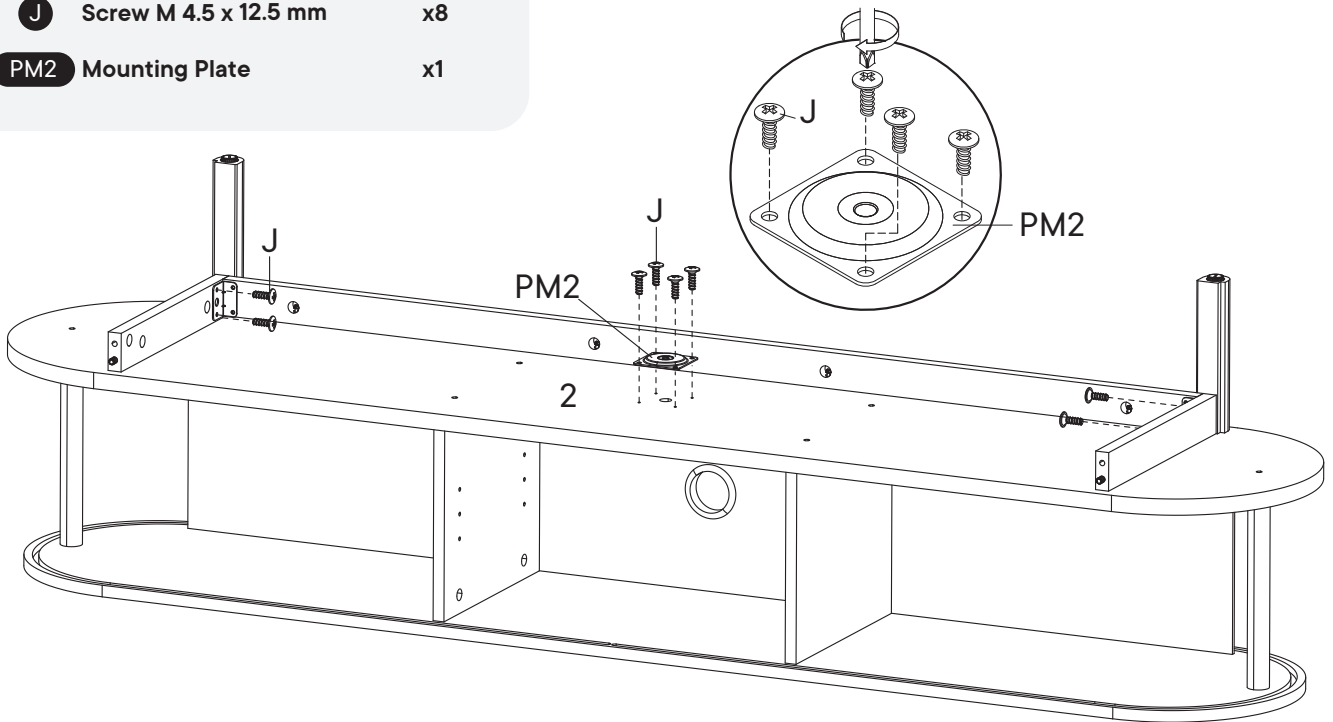


Step 13

HARDWARE

J Screw M 4.5 x 12.5 mm x8

PM2 Mounting Plate x1



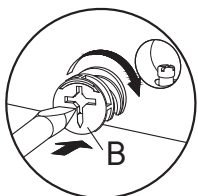
Step 14

HARDWARE

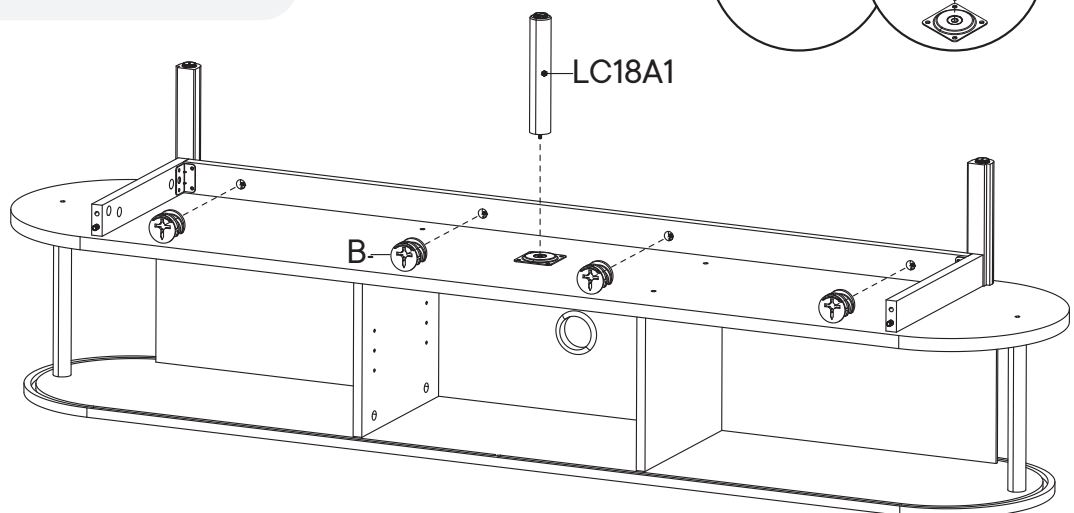
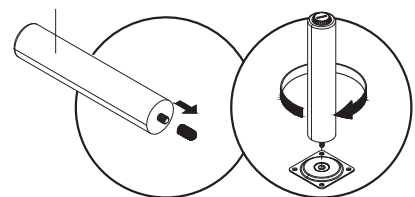
B Cam Lock $\varnothing 15$ mm x4

COMPONENTS

LC18A1 Center Leg x1



LC18A1



Step 15

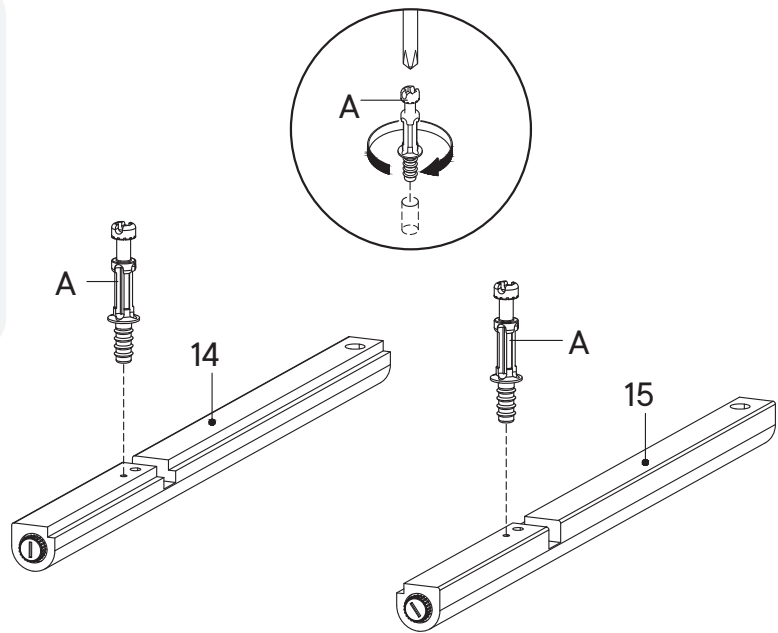
HARDWARE

A Cam Bolt $\varnothing 6 \times 35$ mm x2

COMPONENTS

14 Front Leg Left x1

15 Front Leg Right x1



Step 16

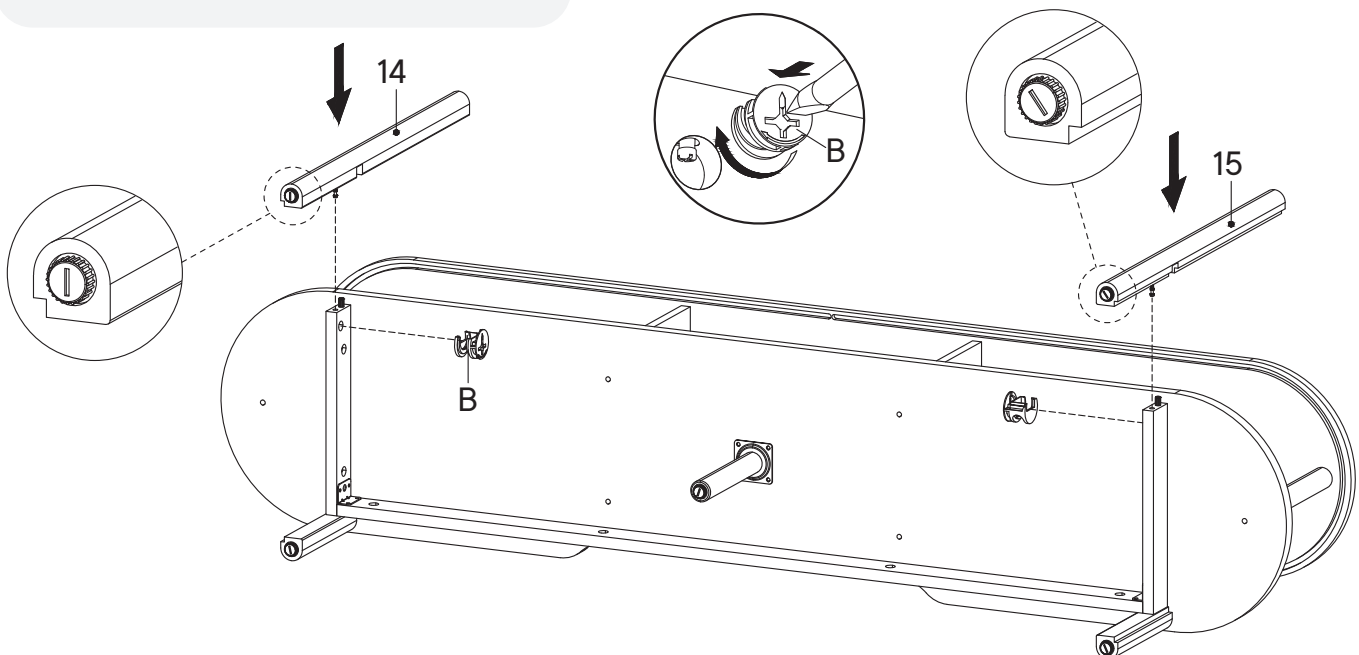
HARDWARE

B Cam Lock $\varnothing 15$ mm x2

COMPONENTS

14 Front Leg Left x1

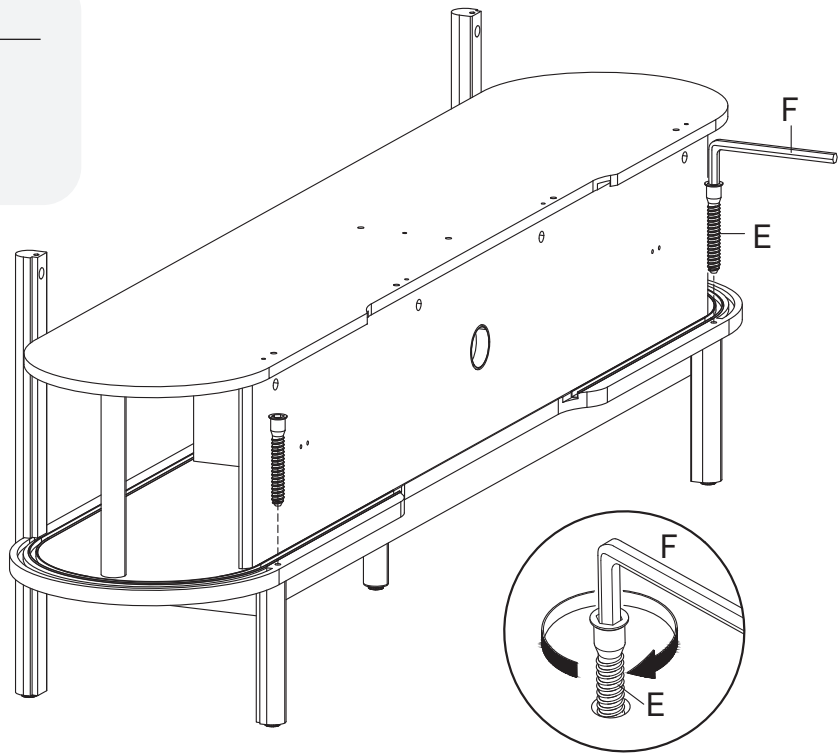
15 Front Leg Right x1



Step 17

HARDWARE

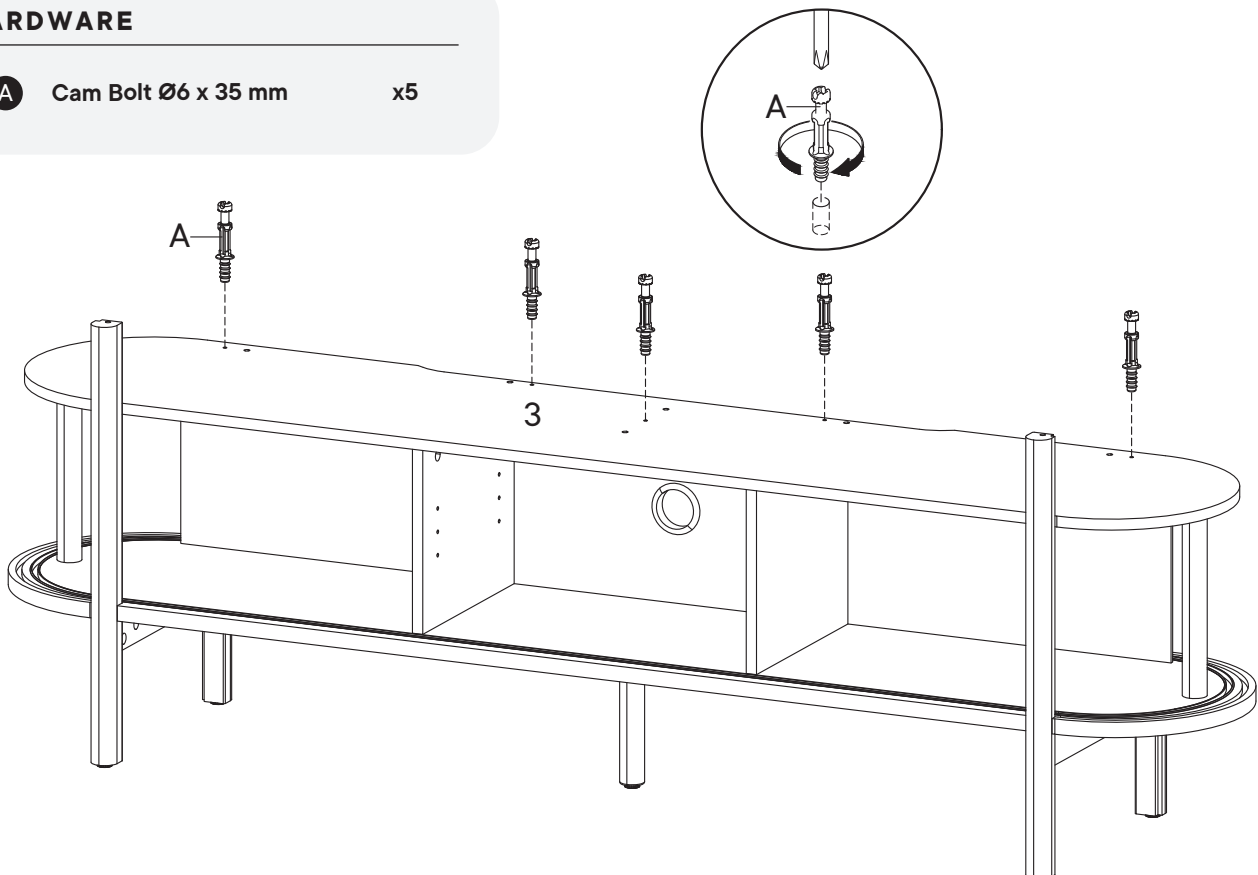
- E** Screw M 7 x 50 mm x2
- F** Allen Key x1



Step 18

HARDWARE

- A** Cam Bolt $\varnothing 6 \times 35$ mm x5



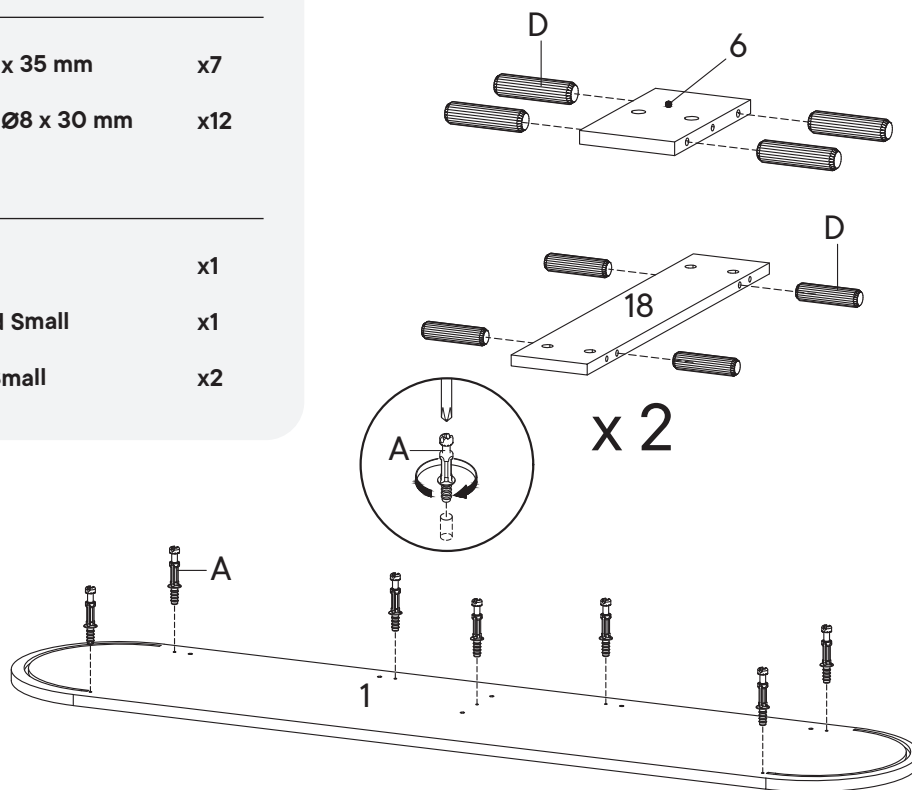
Step 19

HARDWARE

- A** Cam Bolt $\varnothing 6 \times 35$ mm x7
- D** Wood Dowel $\varnothing 8 \times 30$ mm x12

COMPONENTS

- 1** Top Board x1
- 6** Center Board Small x1
- 18** Back Board Small x2



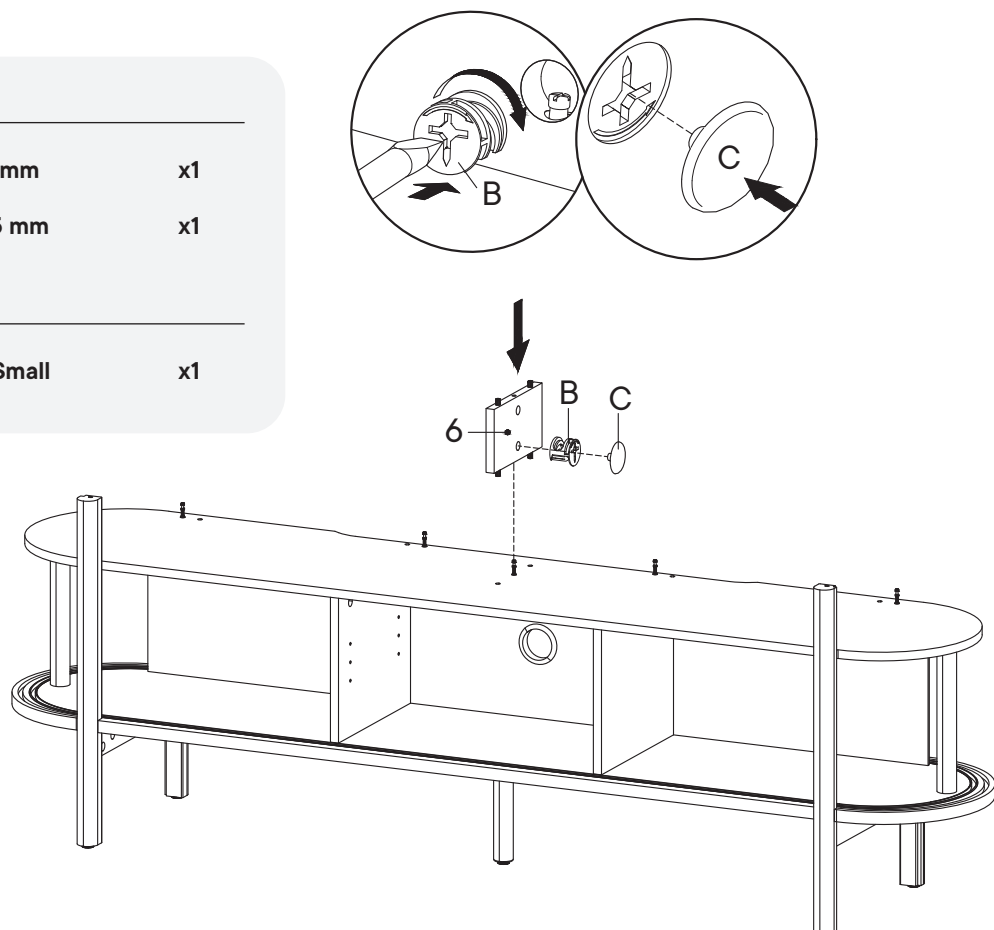
Step 20

HARDWARE

- B** Cam Lock $\varnothing 15$ mm x1
- C** Screw Cap $\varnothing 15$ mm x1

COMPONENTS

- 6** Center Board Small x1



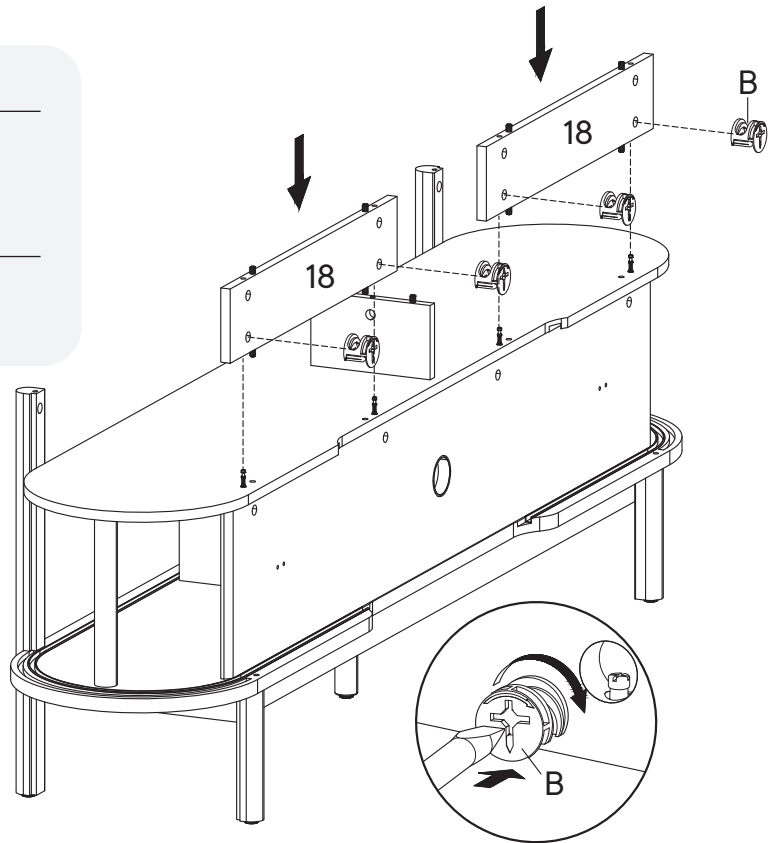
Step 21

HARDWARE

B Cam Lock Ø15 mm x4

COMPONENTS

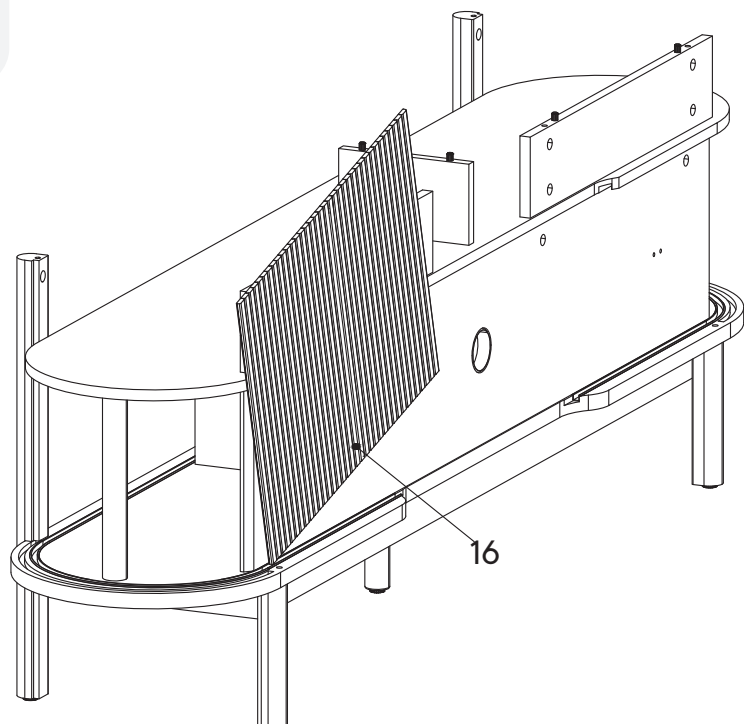
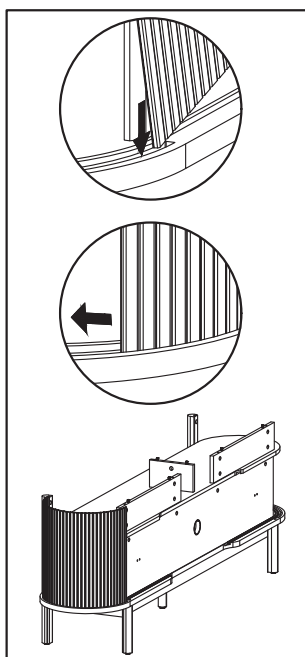
18 Back Board Small x2



Step 22

COMPONENTS

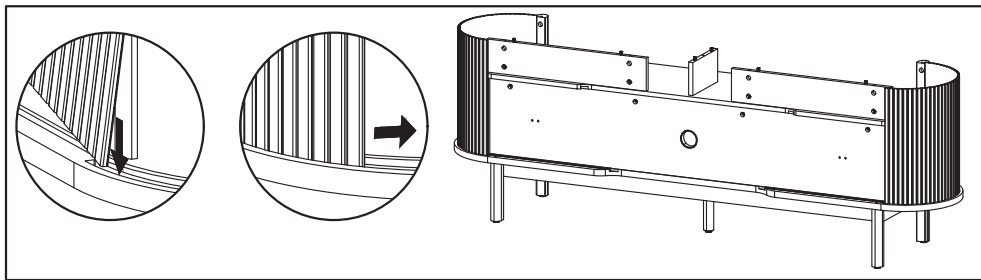
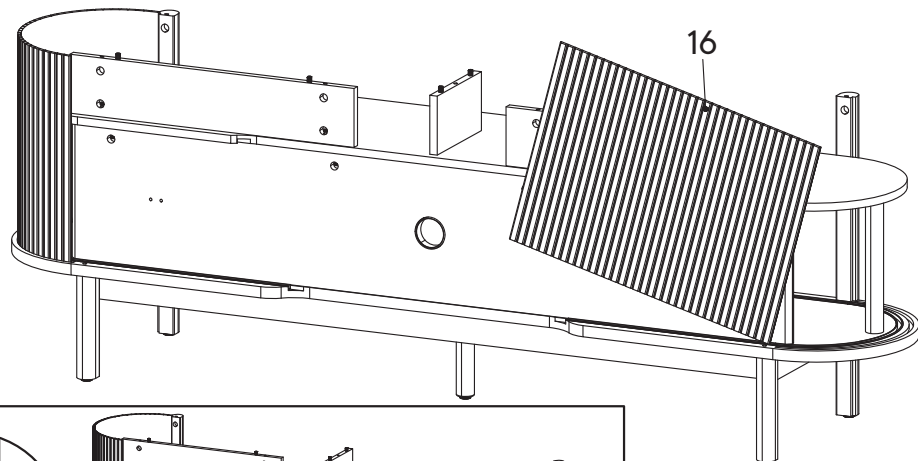
16 Bar Side x1



Step 23

COMPONENTS

- 16 Bar Side x1



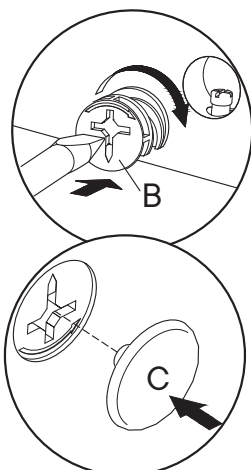
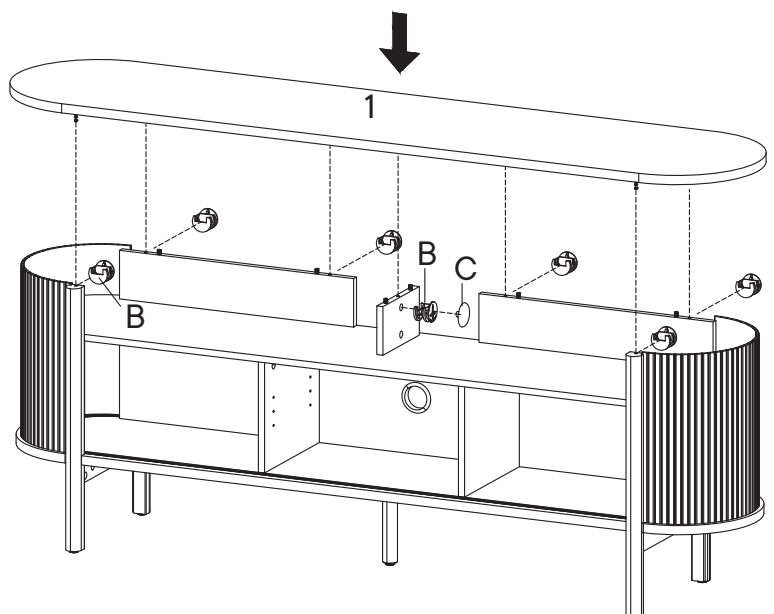
Step 24

HARDWARE

- B Cam Lock Ø15 mm x7
- C Screw Cap Ø15 mm x1

COMPONENTS

- 1 Top Board x1



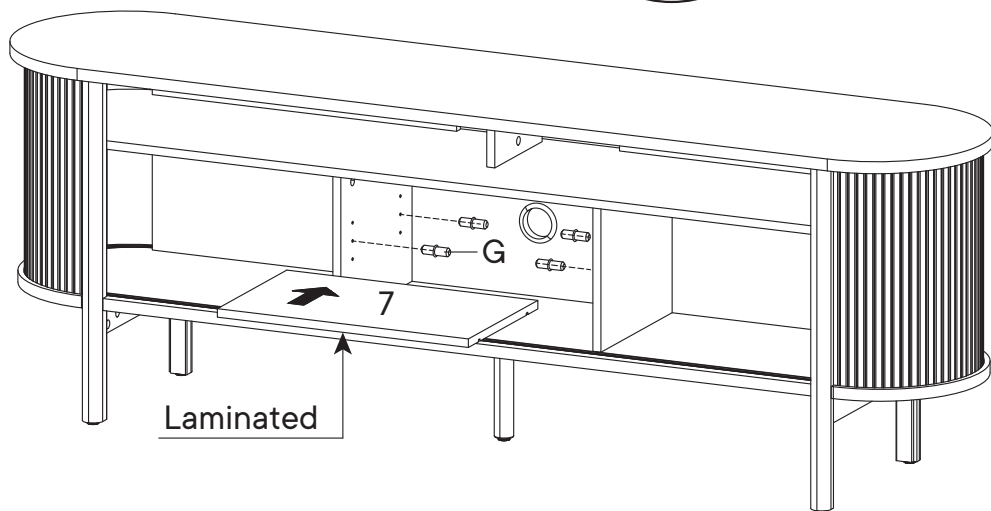
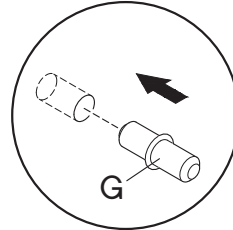
Step 25

HARDWARE

G Shelf Pin x4

COMPONENTS

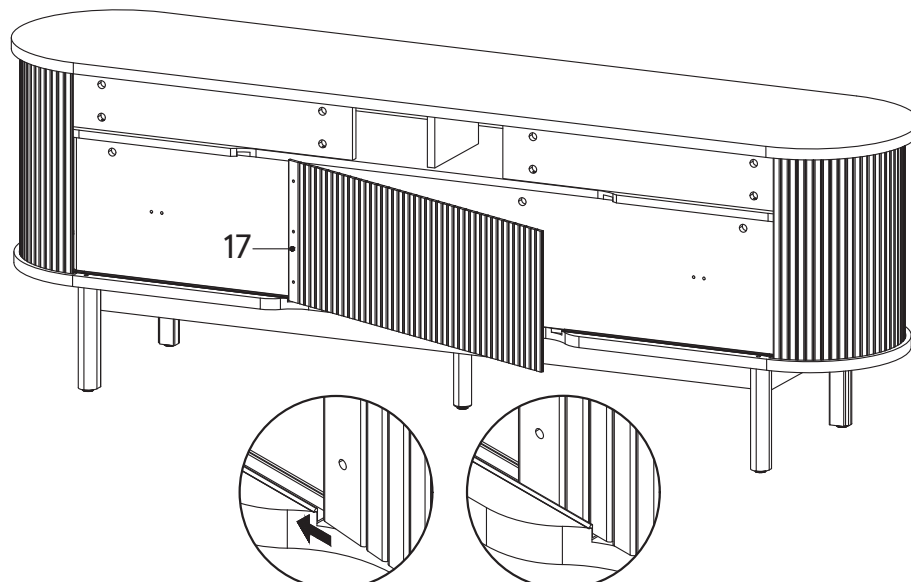
7 Adjustable Shelf x1



Step 26

COMPONENTS

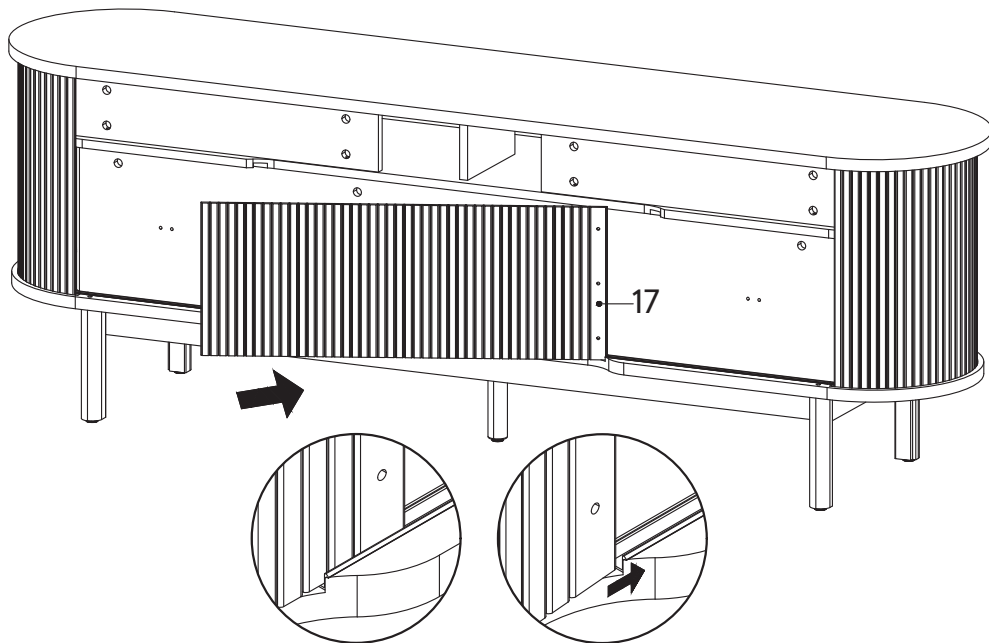
17 Bar Sliding Door x1



Step 27

COMPONENTS

- 17 Bar Sliding Door x1



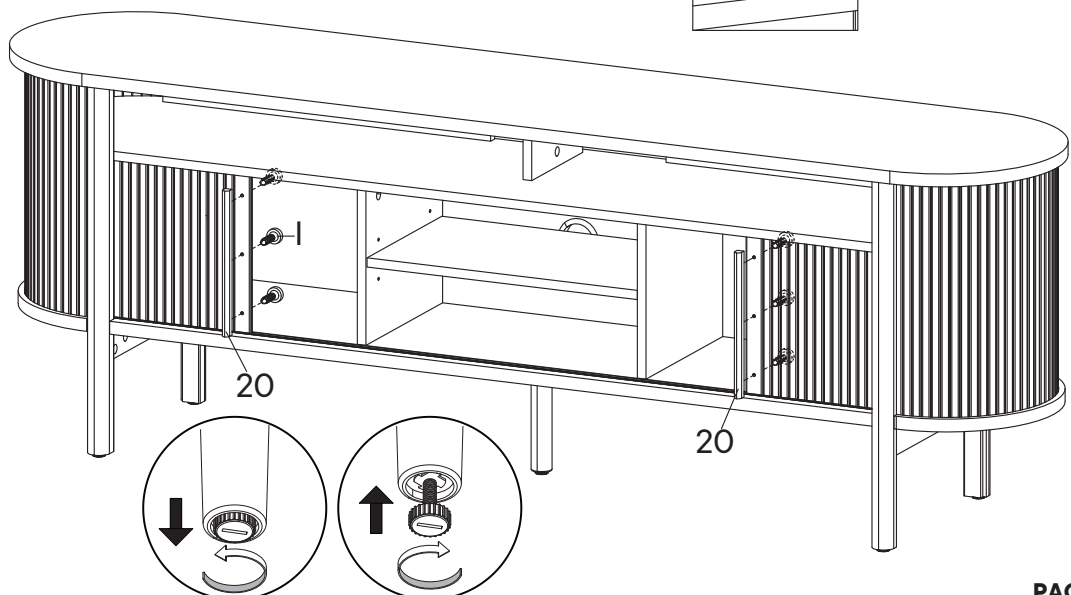
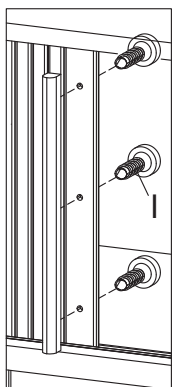
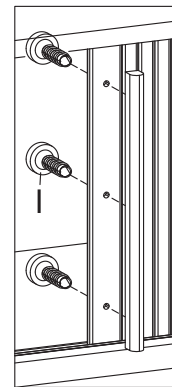
Step 28

HARDWARE

- 1 Screw M 4 x 16 mm x6

COMPONENTS

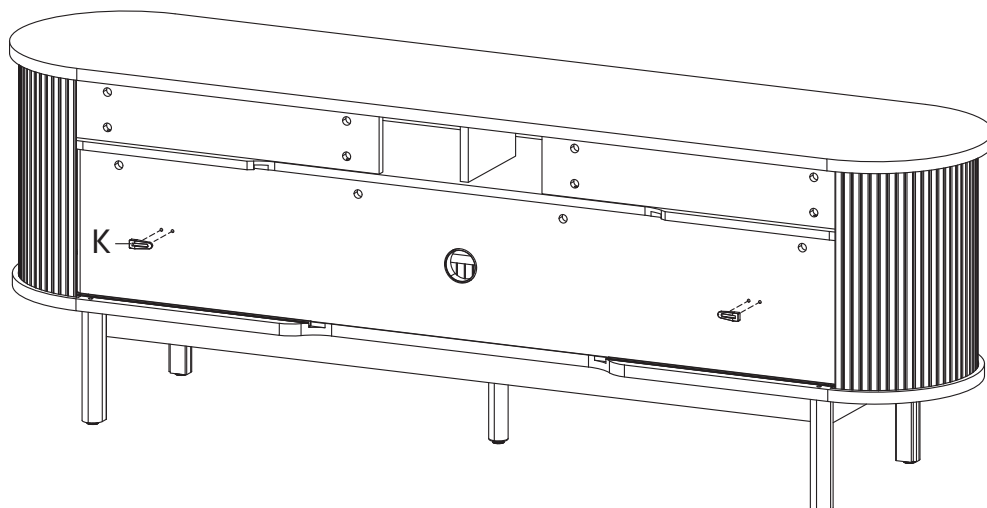
- 20 Handle x2



Step 29

HARDWARE

K Stopper x2



Great job!

Tv Stand assembly is complete.

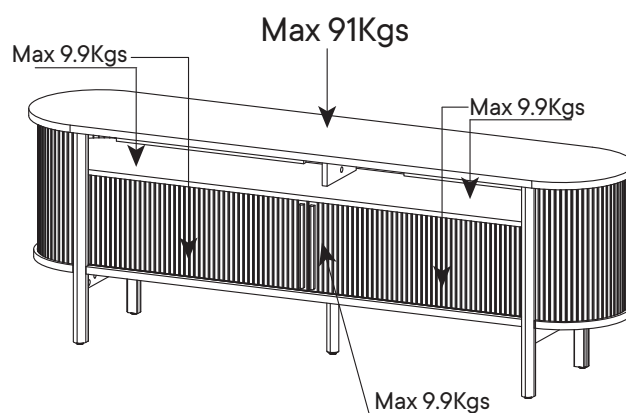
♥ CARING FOR YOUR ITEM

Indoor use only.

Not contract grade.

Clean using a non-abrasive cloth and a mild cleaner.

Never use harsh chemicals, as they could damage the finish or integrity of the item.



CONNECT WITH US!   

Tag us @modway_furniture and #modway for a chance to be featured.