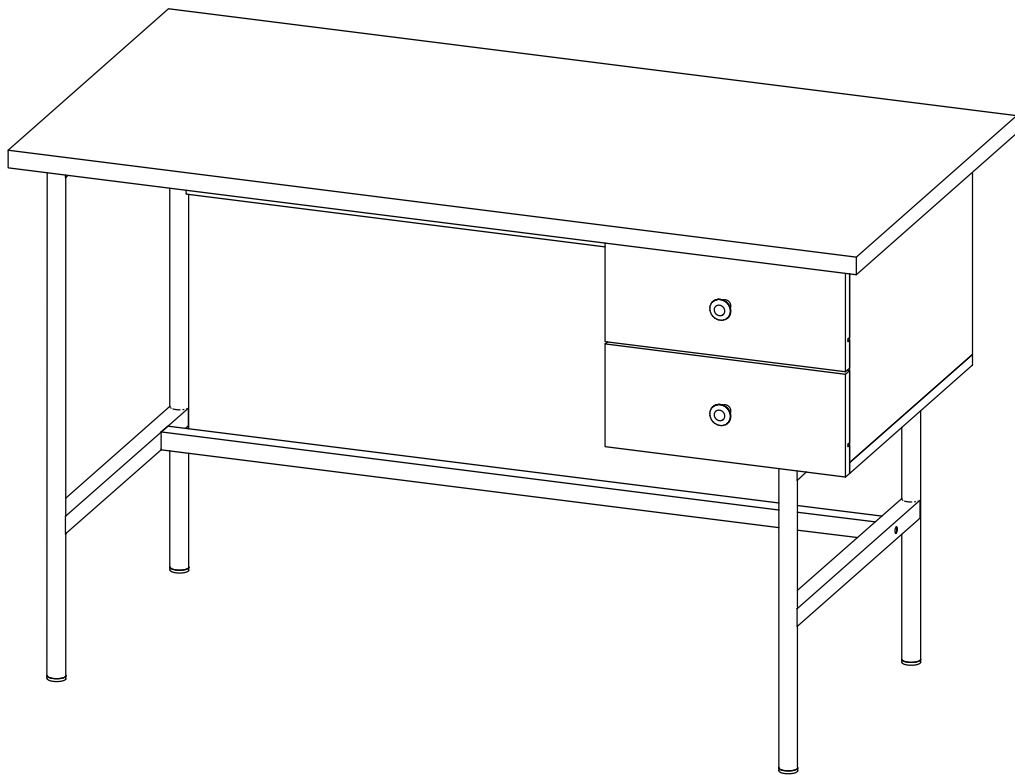


# ASSEMBLY INSTRUCTIONS

# EEI-6284

V1.15.01.23



**Questions? Contact us!**

609.256.9000 • [cs@modway.com](mailto:cs@modway.com)  
[www.modway.com](http://www.modway.com)

**\*modway**

# Let's get started!

**\*modway**



Read through all of the instructions before starting



Care instructions are listed in the last step of this manual



Approx. 60 minutes assembly time



Make sure you have all parts and components before discarding any packing materials



2 people recommended for assembly

**Only use hand tools to assemble this item.** Do not use power tools. Do not tighten bolts or screws completely until all hardware is lined up and inserted into the holes.

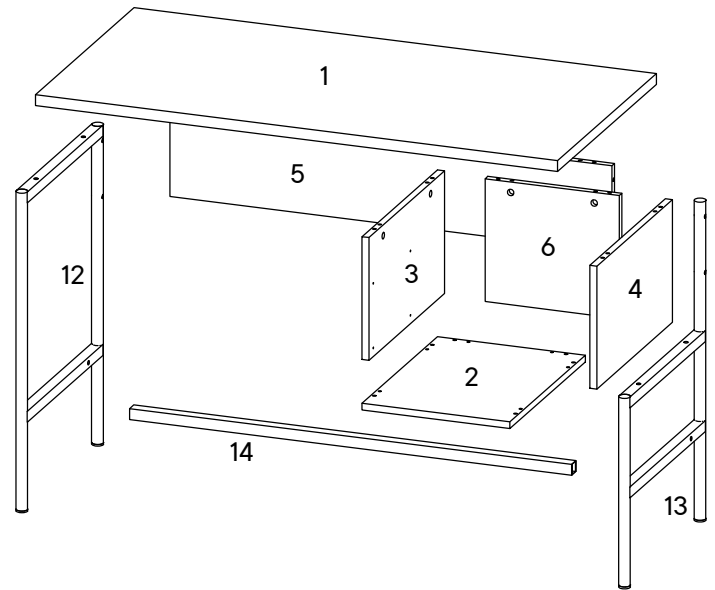
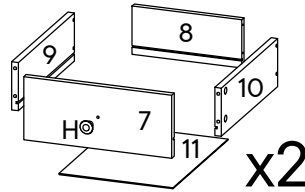
Do not over-tighten screws and bolts to avoid stripping the hardware or cracking the item.

Assemble your item on a flat, carpeted area, with plenty of space to work. This will prevent damage and scratches to your floors or the item while you're assembling the product.

Keep all components and packaging out of reach of children or animals to avoid risk of choking or suffocation.

## Furniture components:

1	Top Panel	x1	10	Drawer Side - R	x2
2	Bottom Panel	x1	11	Drawer Bottom	x2
3	Side Panel - L	x1	12	Metal Side - L	x1
4	Side Panel - R	x1	13	Metal Side - R	x1
5	Middle Panel	x1	14	Metal Support	x1
6	Back Panel	x1			
7	Drawer Front	x2			
8	Drawer Back	x2			
9	Drawer Side - L	x2			



## Provided hardware:

A1		Cam Lock	x18	J		JCBC Screw M6 x 50mm	x2
A2		Minifix Screw	x18	K		JCBC Screw M6 x 60mm	x4
A3		Plastic Cap	x18	L		JRN Nut	x4
B		Wood Dowel M8 x 30mm	x16	M1		12" Drawer Slide - L/R	x4
C		CSK Cap Wood Screw M6 x 50mm	x6	M2		12" Drawer Slide - L/R	x4
D		Allen Key M4	x1				
E		C.B Screw M3.5 x 16mm	x28				
F		C.B Screw M4 x 38mm	x8				
G		C.B Screw M4 x 25mm	x2				
H		Handle 209 Knob	x2				
I		JCBC Screw M6 x 35mm	x4				

## What You Need:

**Phillips Head Screwdriver\***

\*Not included

**Wait!**

Missing parts or hardware? Need assistance?  
Contact us before returning your item. We're here to help!  
609.256.9000 • cs@modway.com

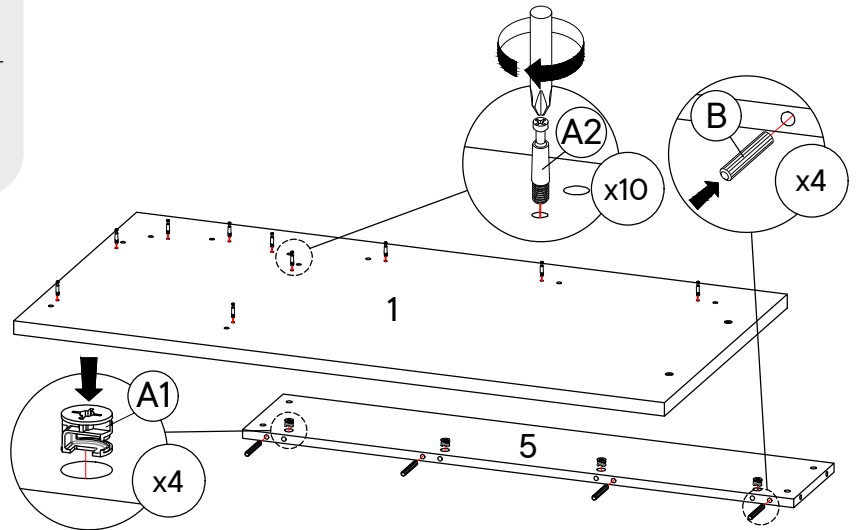
# Step 1

## HARDWARE

<b>A1</b>	Cam Lock	x4
<b>A2</b>	Minifix Screw	x10
<b>B</b>	Wood Dowel M8 x 30mm	x4

## COMPONENTS

<b>1</b>	Top Panel	x1
<b>5</b>	Middle Panel	x1



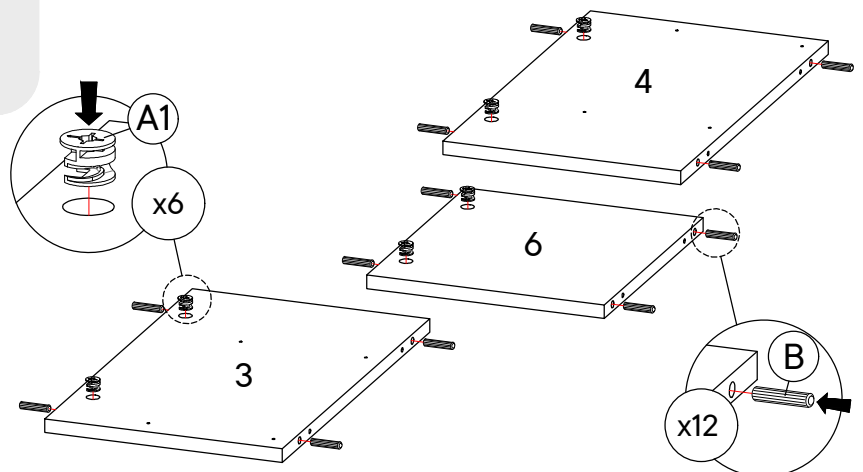
# Step 2

## HARDWARE

<b>A1</b>	Cam Lock	x6
<b>B</b>	Wood Dowel M8 x 30mm	x12

## COMPONENTS

<b>3</b>	Side Panel - L	x1
<b>4</b>	Side Panel - R	x1
<b>6</b>	Back Panel	x1



# Step 3

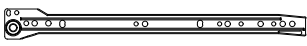
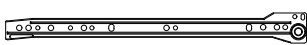
## HARDWARE

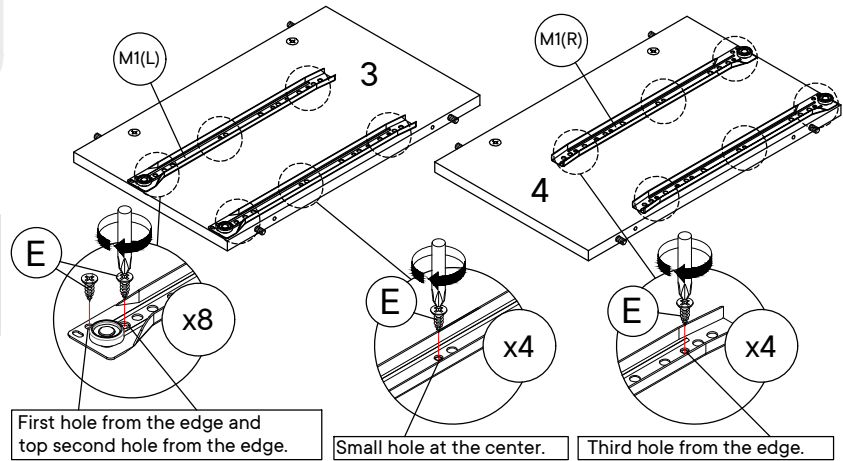
<b>E</b>	C.B Screw M3.5 x 16mm	x16
<b>M1</b>	12" Drawer Slide - L	x2
<b>M1</b>	12" Drawer Slide - R	x2

## COMPONENTS

<b>3</b>	Side Panel - L	x1
<b>4</b>	Side Panel - R	x1

## Notes

<b>M1</b>		12" Drawer Slide - L
<b>M1</b>		12" Drawer Slide - R



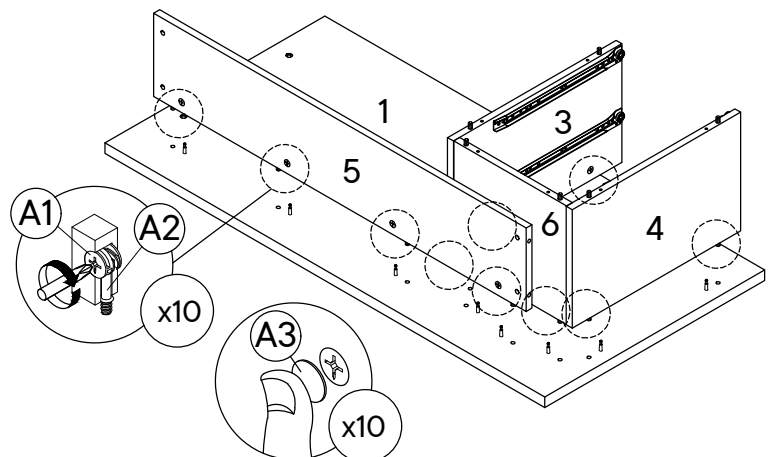
# Step 4

## HARDWARE

<b>A3</b>	Plastic Cap	x10
-----------	-------------	-----

## COMPONENTS

<b>1</b>	Top Panel	x1
<b>3</b>	Side Panel - L	x1
<b>4</b>	Side Panel - R	x1
<b>5</b>	Middle Panel	x1
<b>6</b>	Back Panel	x1



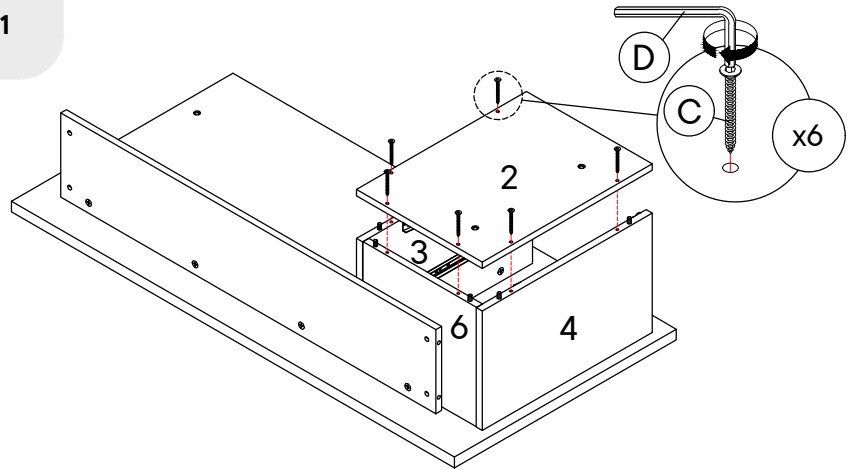
# Step 5

## HARDWARE

- C** CSK Cap Wood Screw M6 x 50mm x6
- D** Allen Key M4 x1

## COMPONENTS

- 2** Bottom Panel x1



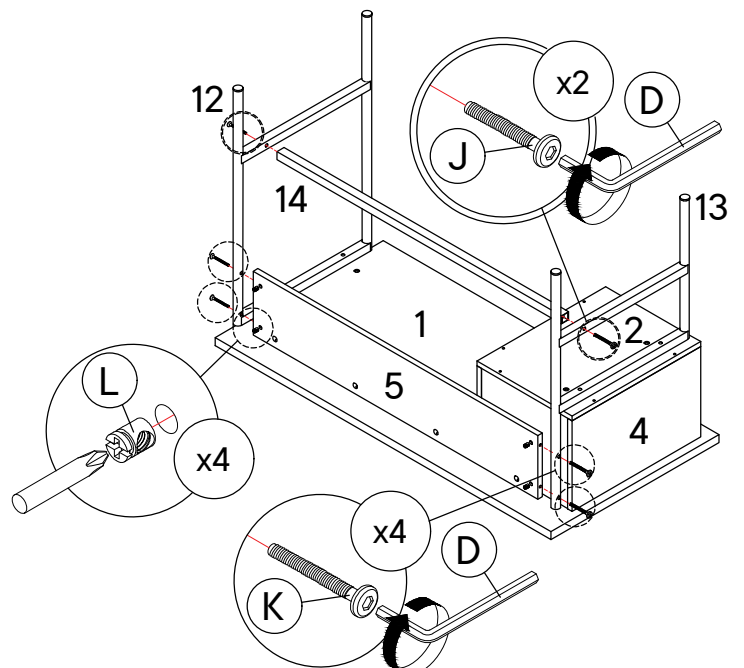
# Step 6

## HARDWARE

- D** Allen Key M4 x1
- J** JCBC Screw M6 x 50mm x2
- K** JCBC Screw M6 x 60mm x4
- L** JRN Nut x4

## COMPONENTS

- 12** Metal Side - L x1
- 13** Metal Side - R x1
- 14** Metal Support x1



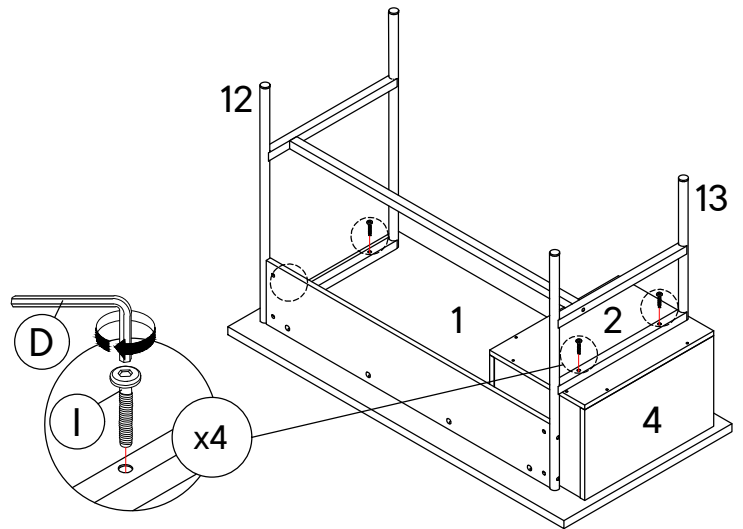
# Step 7

## HARDWARE

- D** Allen Key M4 x1
- I** JCBC Screw M6 x 35mm x4

## COMPONENTS

- 12** Metal Side - L x1
- 13** Metal Side - R x1



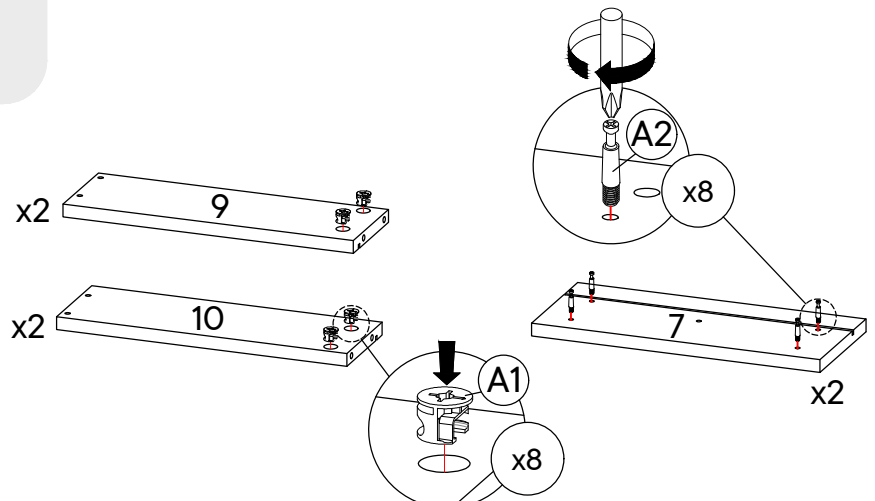
# Step 8

## HARDWARE

- A1** Cam Lock x8
- A2** Minifix Screw x8

## COMPONENTS

- 7** Drawer Front x2
- 9** Drawer Side - L x2
- 10** Drawer Side - R x2



# Step 9

## HARDWARE

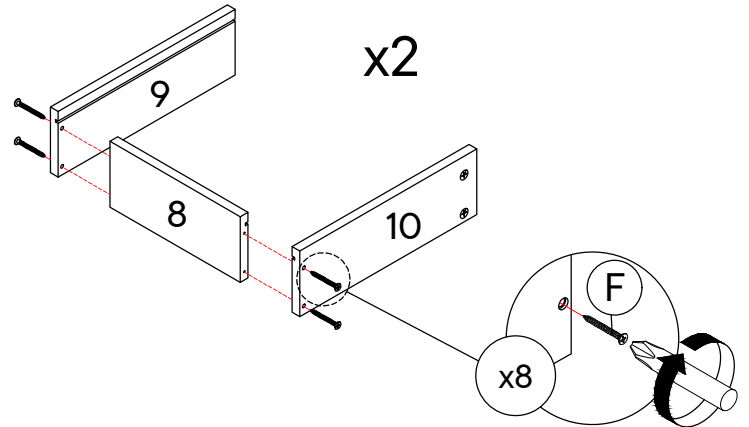
**F** C.B Screw M4 x 38mm x8

## COMPONENTS

**8** Drawer Back x2

**9** Drawer Side - L x2

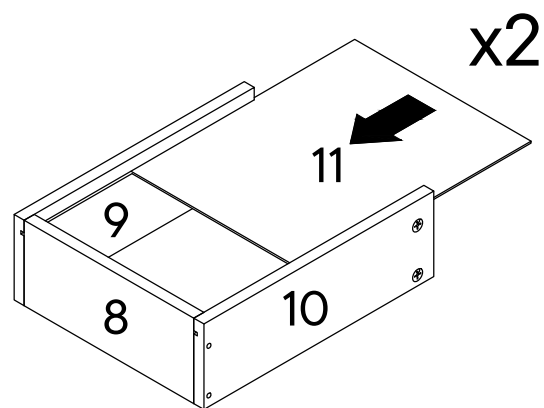
**10** Drawer Side - R x2



# Step 10

## COMPONENTS

**11** Drawer Bottom x2



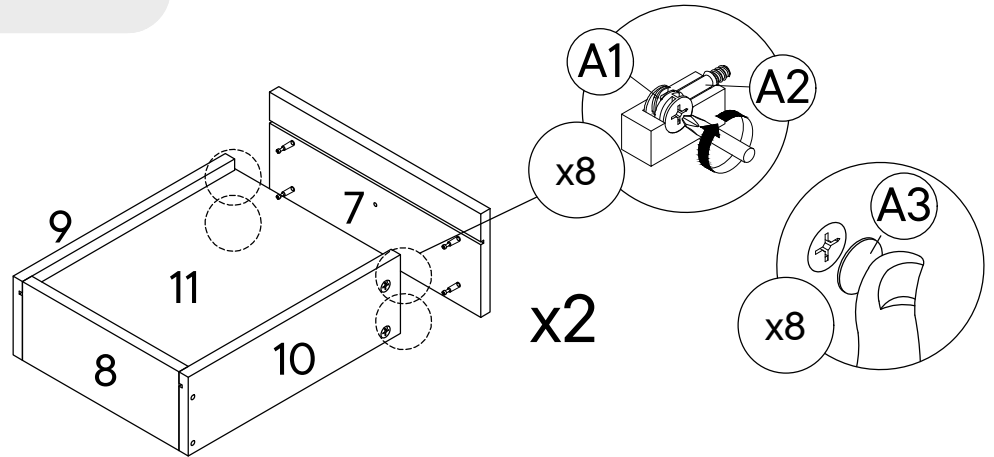
# Step 11

**HARDWARE**

**A3** Plastic Cap x8

**COMPONENTS**

**7** Drawer Front x2



# Step 12

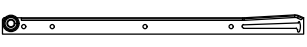
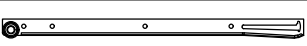
**HARDWARE**

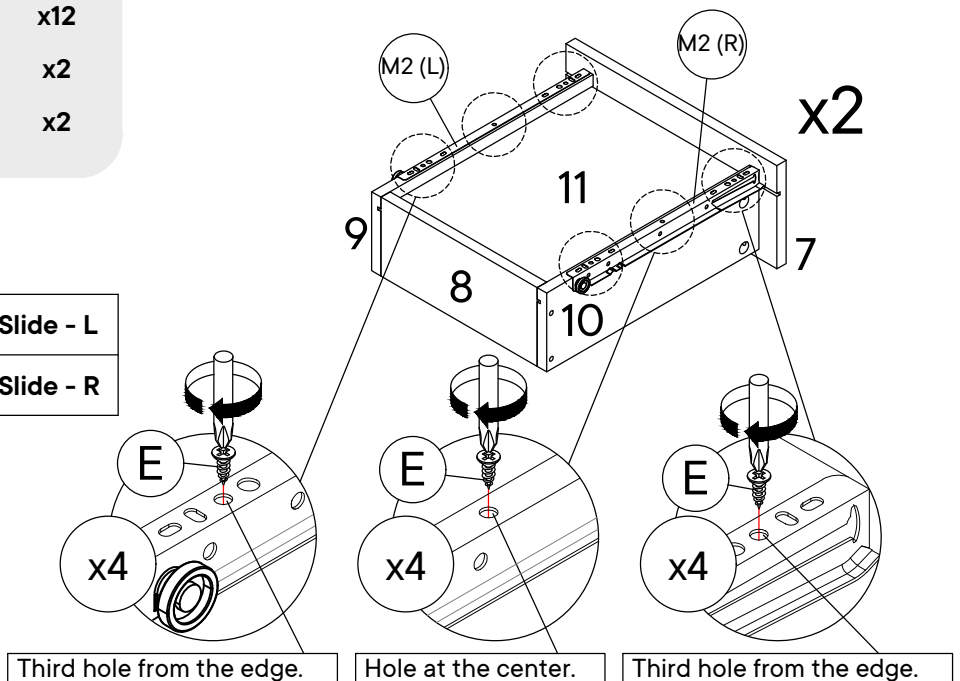
**E** C.B Screw M3.5 x 16mm x12

**M2** 12" Drawer Slide - L x2

**M2** 12" Drawer Slide - R x2

**Notes**

<b>M2</b>		12" Drawer Slide - L
<b>M2</b>		12" Drawer Slide - R

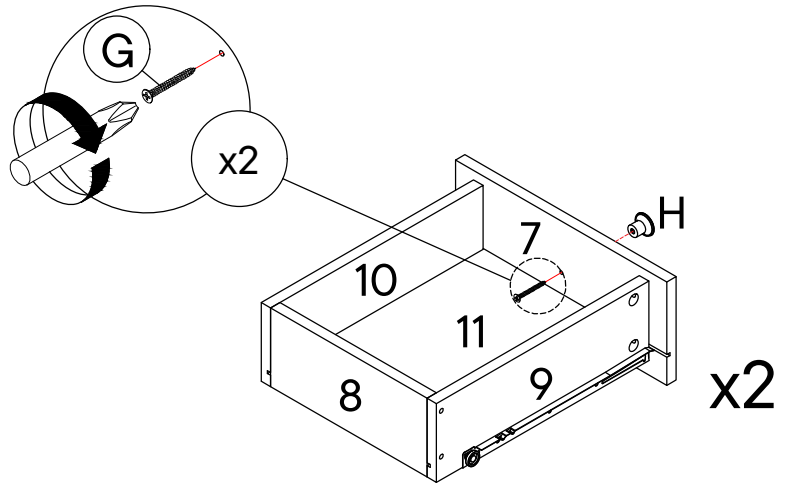




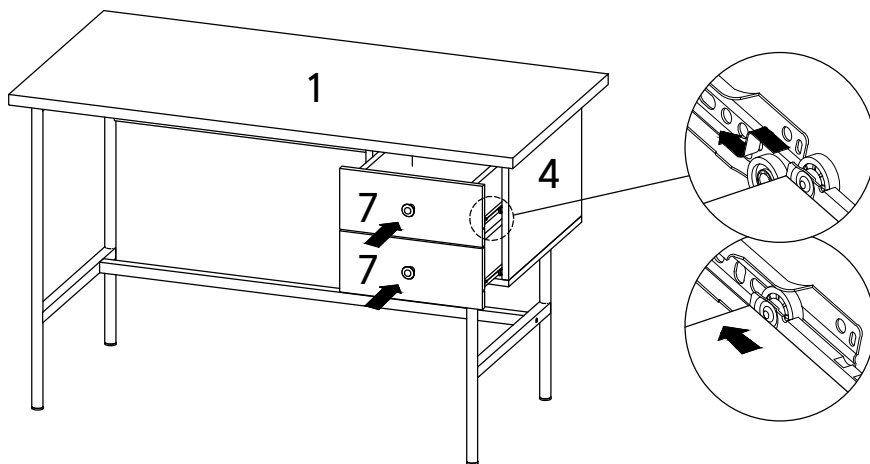
# Step 13

## HARDWARE

- G** C.B Screw M4 x 25mm x2
- H** Handle 209 Knob x2



# Step 14



Put all the drawer in place along the drawer slides.

# Great job!

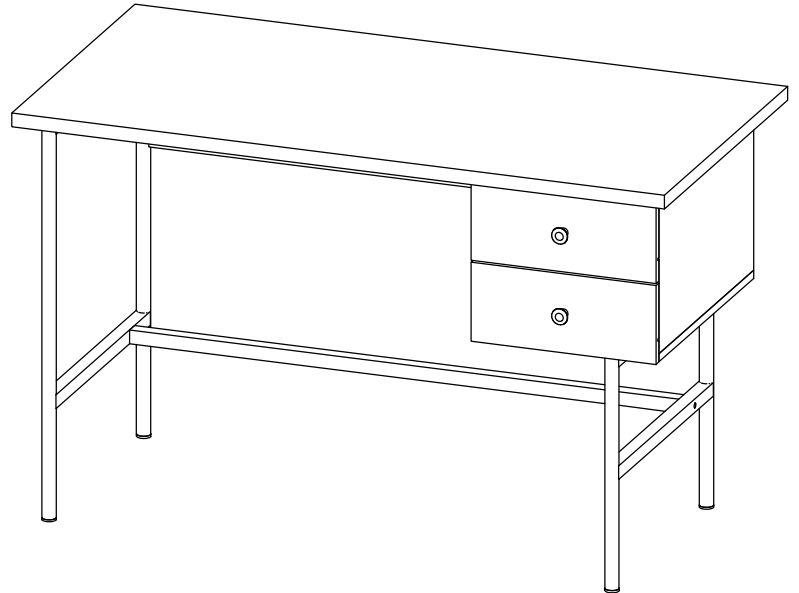
Your new office table is ready.

## ♥ CARING FOR YOUR ITEM

Depending on use, it may be necessary to tighten the hardware from time to time, so please save the tools that have been provided.

Not contract grade.

Clean using a non-abrasive cloth and a mild cleaner.



## CONNECT WITH US!

Tag us [@modway\\_furniture](#) and [#modway](#) for a chance to be featured.