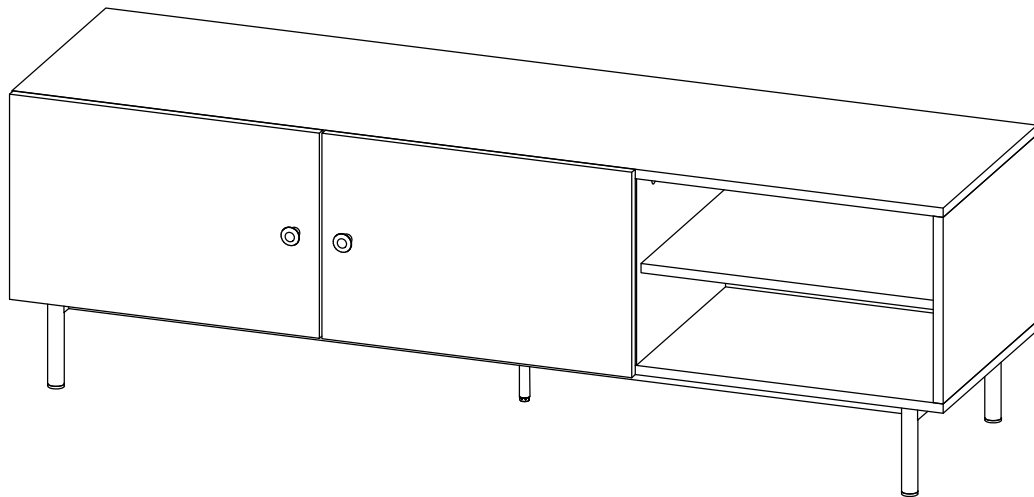


# ASSEMBLY INSTRUCTIONS

# EEI-6282

V1.15.01.23



## Questions? Contact us!

609.256.9000 • [cs@modway.com](mailto:cs@modway.com)  
[www.modway.com](http://www.modway.com)

**\*modway**

# Let's get started!

**\*modway**



Read through all of the instructions before starting



Care instructions are listed in the last step of this manual



Approx. 60 minutes assembly time



Make sure you have all parts and components before discarding any packing materials



2 people recommended for assembly

**Only use hand tools to assemble this item.** Do not use power tools. Do not tighten bolts or screws completely until all hardware is lined up and inserted into the holes.

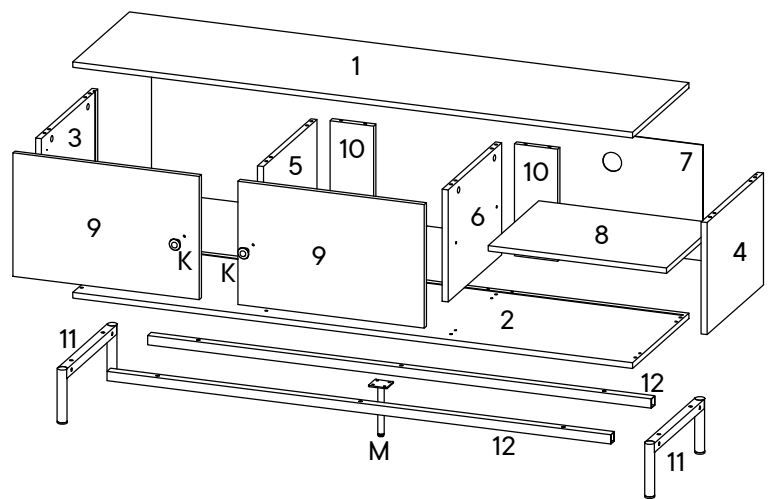
Do not over-tighten screws and bolts to avoid stripping the hardware or cracking the item.

Assemble your item on a flat, carpeted area, with plenty of space to work. This will prevent damage and scratches to your floors or the item while you're assembling the product.

Keep all components and packaging out of reach of children or animals to avoid risk of choking or suffocation.

## Furniture components:

1	Top Panel	x1	10	Body Support	x2
2	Bottom Panel	x1	11	Metal Leg	x2
3	Side Panel - L	x1	12	Metal Leg Support	x2
4	Side Panel - R	x1			
5	Center Panel - L	x1			
6	Center Panel - R	x1			
7	Back Panel	x1			
8	Shelf Panel	x1			
9	Door Panel	x2			



## Provided hardware:

A1		Cam Lock	x12
A2		Minifix Screw	x12
A3		Plastic Cap	x12
B		Wood Dowel M8 x 30mm	x16
C		CSK Cap Wood Screw M6 x 50mm	x12
D		Allen Key M4	x1
E		C.B Screw M3.5 x 16mm	x28
F		C.B Screw M4 x 25mm	x2
G1		Stud	x8
G2		Stud Screw	x8
H		JCBC Screw M6 x 35mm	x10

## What You Need:

I		JCBC Screw M6 x 50mm	x4
J		Metal Shelf Support	x4
K		Handle 209 Knob	x2
L		Soft Closing 5/8 Hinges	x4
M		Metal Leg	x1

**Phillips Head Screwdriver\***

\*Not included

**Wait!**

Missing parts or hardware? Need assistance?  
Contact us before returning your item. We're here to help!  
609.256.9000 • cs@modway.com

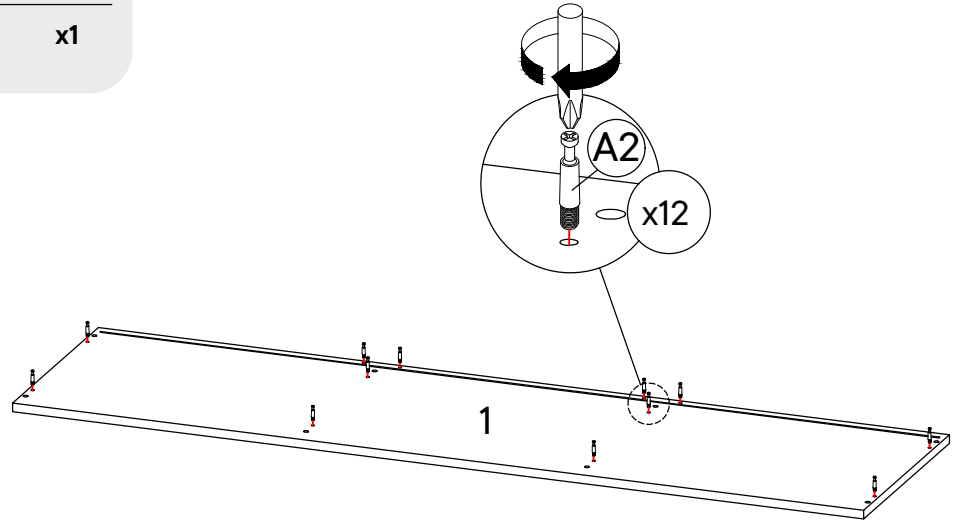
# Step 1

## HARDWARE

**A2** Minifix Screw x12

## COMPONENTS

**1** Top Panel x1



# Step 2

## HARDWARE

**A1** Cam Lock x12

**B** Wood Dowel M8 x 30mm x16

## COMPONENTS

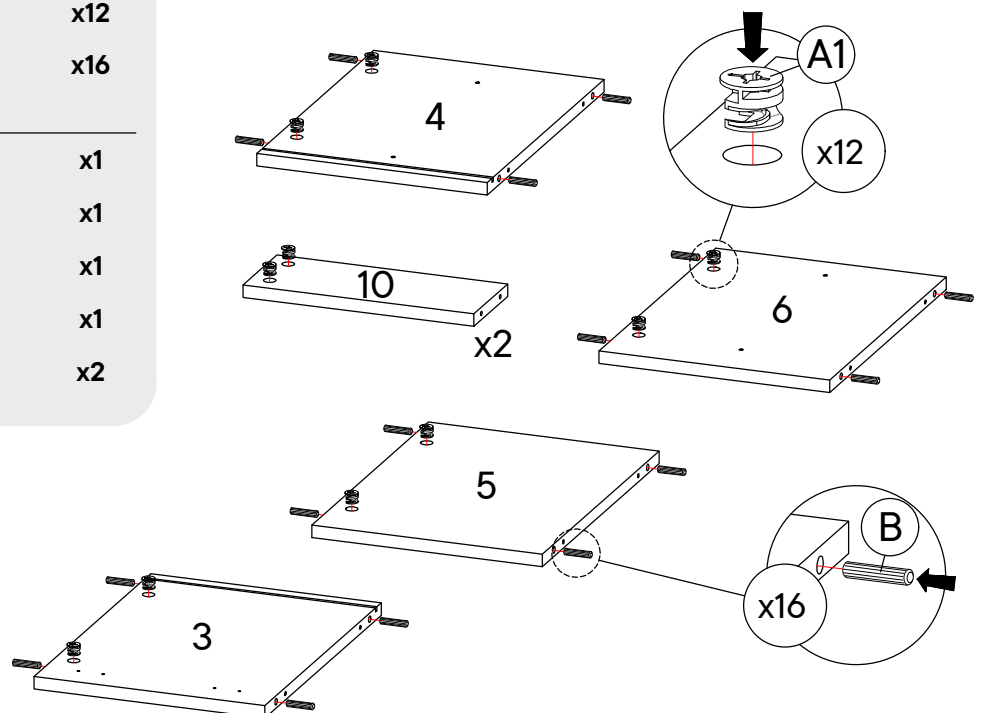
**3** Side Panel - L x1

**4** Side Panel - R x1

**5** Center Panel - L x1

**6** Center Panel - R x1

**10** Body Support x2



# Step 3

## HARDWARE

**A3** Plastic Cap x12

## COMPONENTS

**1** Top Panel x1

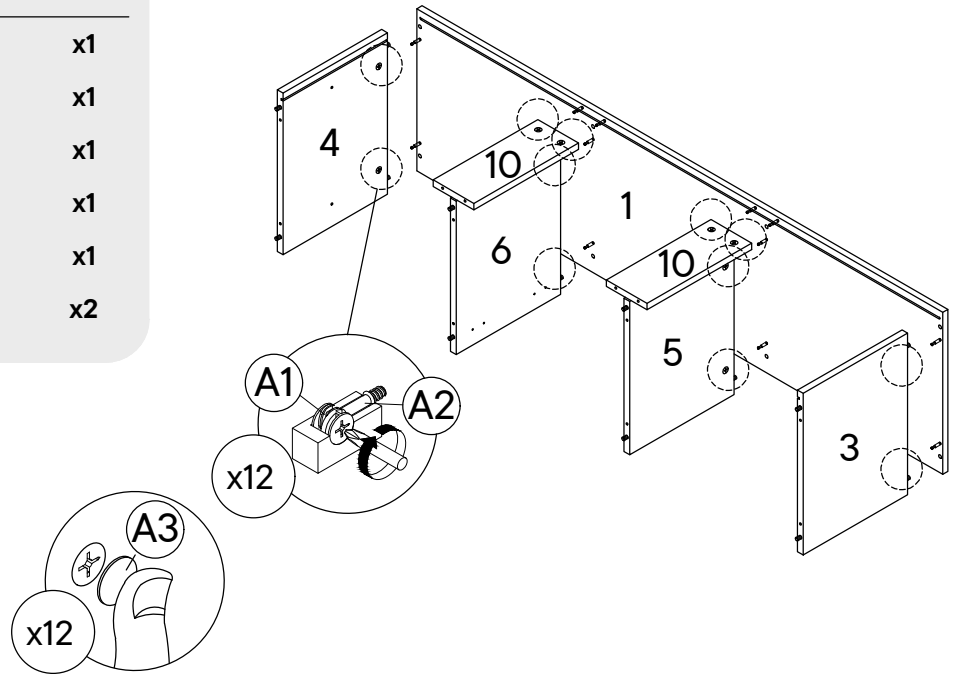
**3** Side Panel - L x1

**4** Side Panel - R x1

**5** Center Panel - L x1

**6** Center Panel - R x1

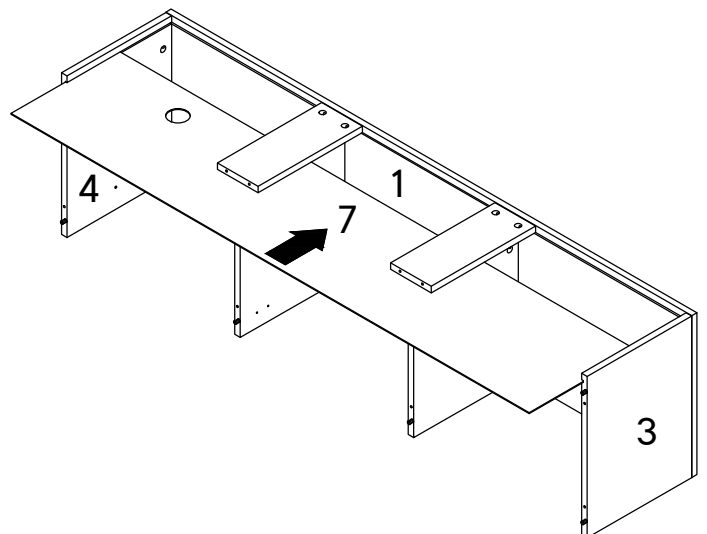
**10** Body Support x2



# Step 4

## COMPONENTS

**7** Back Panel x1



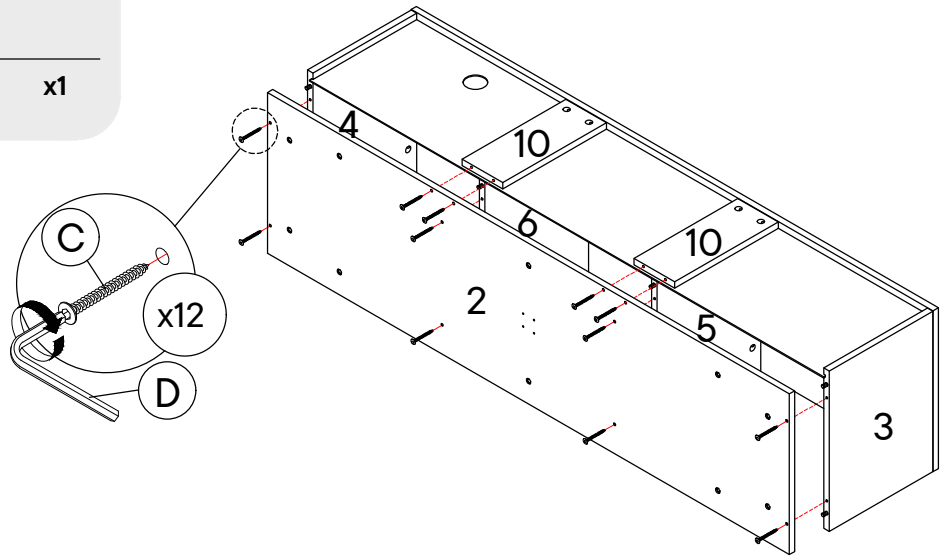
# Step 5

## HARDWARE

- C** CSK Cap Wood Screw M6 x 50mm x12
- D** Allen Key M4 x1

## COMPONENTS

- 2** Bottom Panel x1



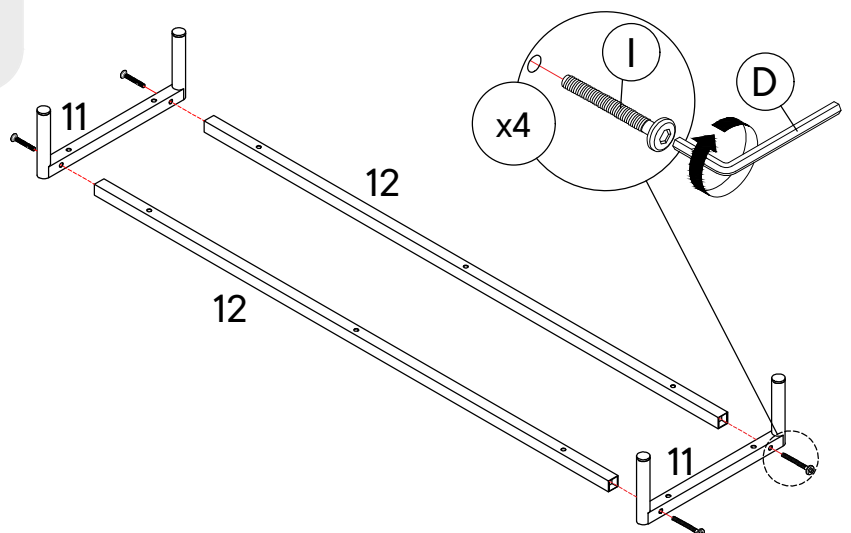
# Step 6

## HARDWARE

- D** Allen Key M4 x1
- I** JCBC Screw M6 x 50mm x4

## COMPONENTS

- 11** Metal Leg x2
- 12** Metal Leg Support x2



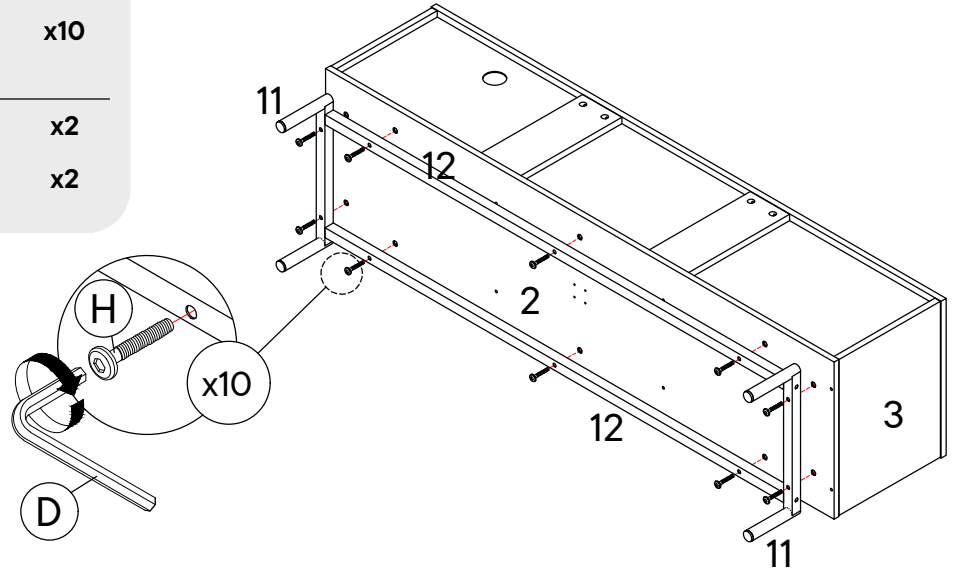
# Step 7

## HARDWARE

- D** Allen Key M4 x1
- H** JCBC Screw M6 x 35mm x10

## COMPONENTS

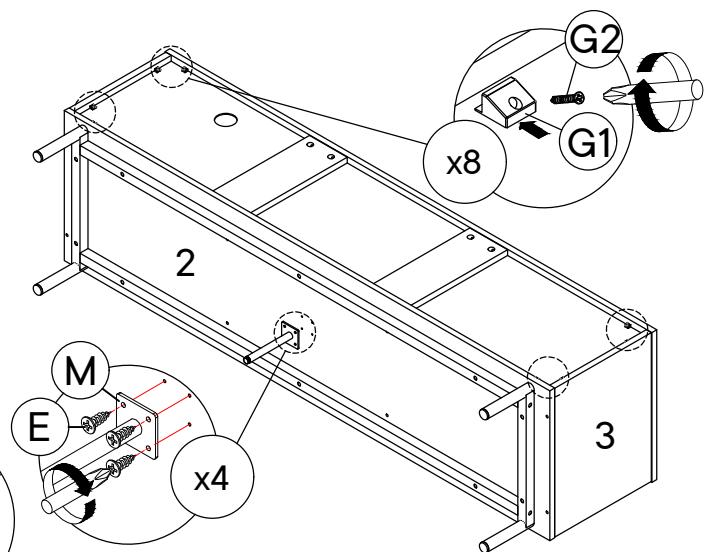
- 11** Metal Leg x2
- 12** Metal Leg Support x2



# Step 8

## HARDWARE

- E** C.B Screw M3.5 x 16mm x4
- G1** Stud x8
- G2** Stud Screw x8
- M** Metal Leg x1

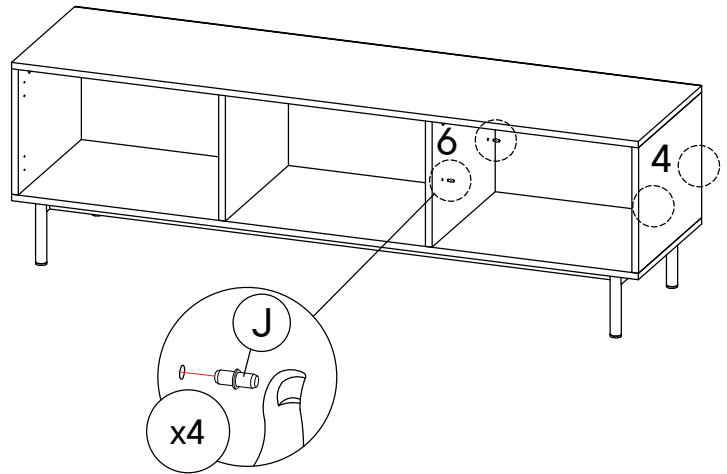


Please note that hardware M has a Plastic adjuster at the bottom to unscrew and adjust the height of hardware M if necessary.

# Step 9

**HARDWARE**

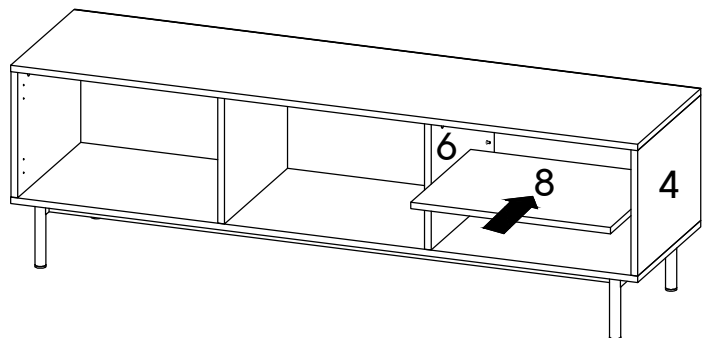
**J** Metal Shelf Support **x4**



# Step 10

**COMPONENTS**

**8** Shelf Panel **x1**



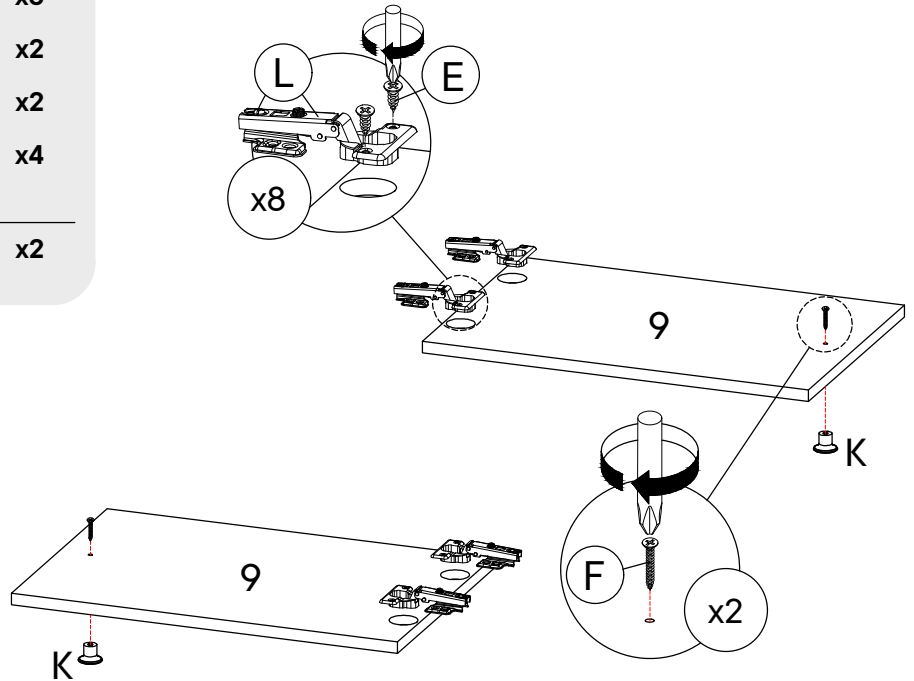
# Step 11

## HARDWARE

<b>E</b>	C.B Screw M3.5 x 16mm	x8
<b>F</b>	C.B Screw M4 x 25mm	x2
<b>K</b>	Handle 209 Knob	x2
<b>L</b>	Soft Closing 5/8 Hinges	x4

## COMPONENTS

<b>9</b>	Door Panel	x2
----------	------------	----



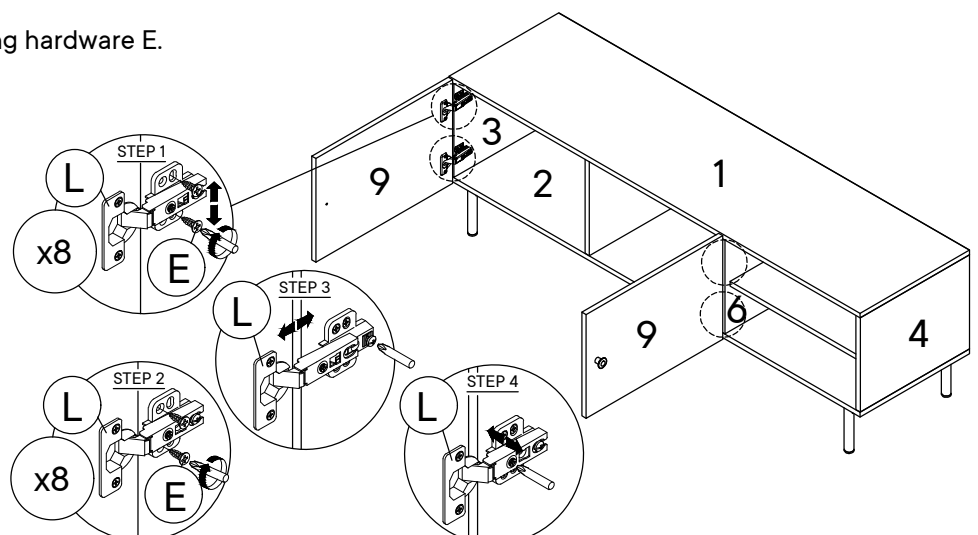
# Step 12

## HARDWARE

<b>E</b>	C.B Screw M3.5 x 16mm	x16
----------	-----------------------	-----

Fix hardware L into panel (3) and (6) by using hardware E.  
(Repeat 4 times for each hardware.)

Tighten or loosen the screw to adjust  
position of panel (9).  
(Do only when needed.)





# Great job!

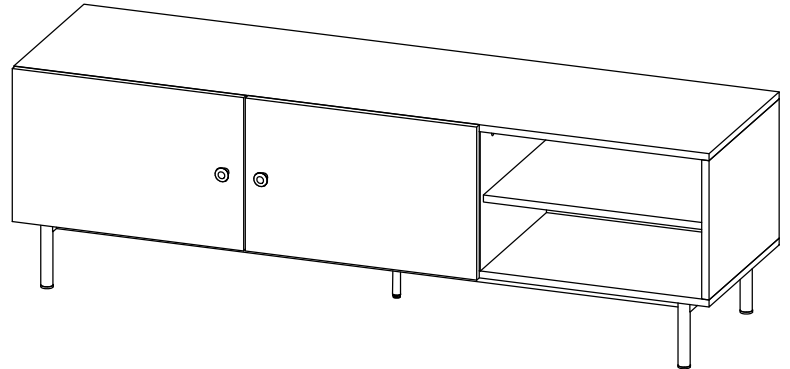
Your new tv cabinet is ready.

## ♥ CARING FOR YOUR ITEM

Depending on use, it may be necessary to tighten the hardware from time to time, so please save the tools that have been provided.

Not contract grade.

Clean using a non-abrasive cloth and a mild cleaner.



## CONNECT WITH US!

Tag us [@modway\\_furniture](#) and [#modway](#) for a chance to be featured.