

ASSEMBLY INSTRUCTIONS

EEI-6281

V1.15.01.23



Questions? Contact us!

609.256.9000 • cs@modway.com
www.modway.com

***modway**

Let's get started!

***modway**



Read through all of the instructions before starting



Care instructions are listed in the last step of this manual



Approx. 60 minutes assembly time



Make sure you have all parts and components before discarding any packing materials



2 people recommended for assembly

Only use hand tools to assemble this item. Do not use power tools. Do not tighten bolts or screws completely until all hardware is lined up and inserted into the holes.

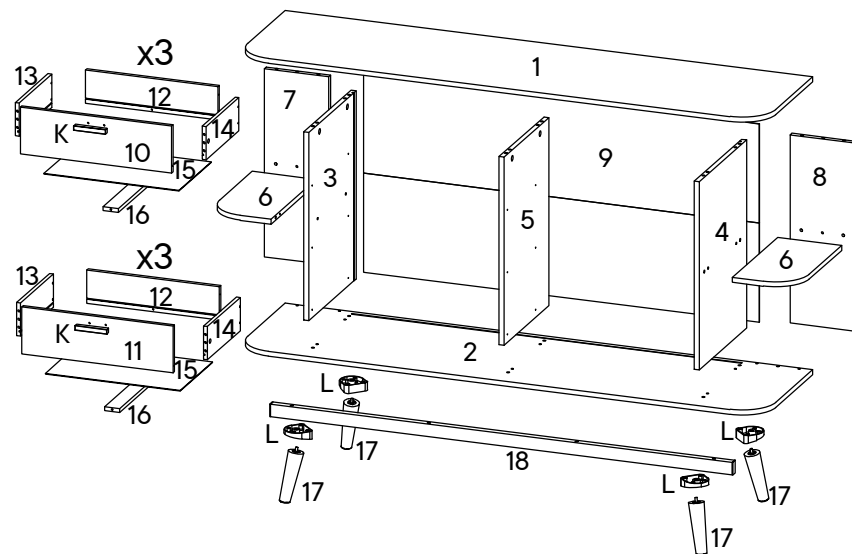
Do not over-tighten screws and bolts to avoid stripping the hardware or cracking the item.

Assemble your item on a flat, carpeted area, with plenty of space to work. This will prevent damage and scratches to your floors or the item while you're assembling the product.

Keep all components and packaging out of reach of children or animals to avoid risk of choking or suffocation.

Furniture components:

1	Top Panel	x1	10	Drawer Front - L	x3
2	Bottom Panel	x1	11	Drawer Front - R	x3
3	Side Panel - L	x1	12	Drawer Back	x6
4	Side Panel - R	x1	13	Drawer Side - L	x6
5	Center Panel	x1	14	Drawer Side - R	x6
6	Middle Panel - L/R	x2	15	Drawer Bottom	x6
7	Back Support - L	x1	16	Drawer Support	x6
8	Back Support - R	x1	17	Cabinet Leg	x4
9	Back Panel	x1	18	Metal Support	x1



Provided hardware:

A1		Cam Lock	x34	I2		Tapping Screw	x8
A2		Minifix Screw	x34	J		JCBC Screw M6 X 50MM	x4
A3		Plastic Cap	x34	K		Wood Handle (126MM)	x6
B		Wood Dowel M8 x 30mm	x48	L		Support Leg MT81	x4
C		CSK Cap Wood Screw M6 x 50mm	x16	M1		12" Drawer Slide - L/R	x12
D		Allen Key M4	x1	M2		12" Drawer Slide - L/R	x12
E		C.B Screw M3.5 x 16mm	x84	N		Anti - Tipping Kit	x1
F		C.B Screw M4 x 20mm	x16				
G		C.B Screw M4 x 32mm	x12				
H		C.B Screw M4 x 38mm	x24				
I1		Stud 192	x8				

What You Need:

Phillips Head Screwdriver*

*Not included

Wait!

Missing parts or hardware? Need assistance?
Contact us before returning your item. We're here to help!
609.256.9000 • cs@modway.com

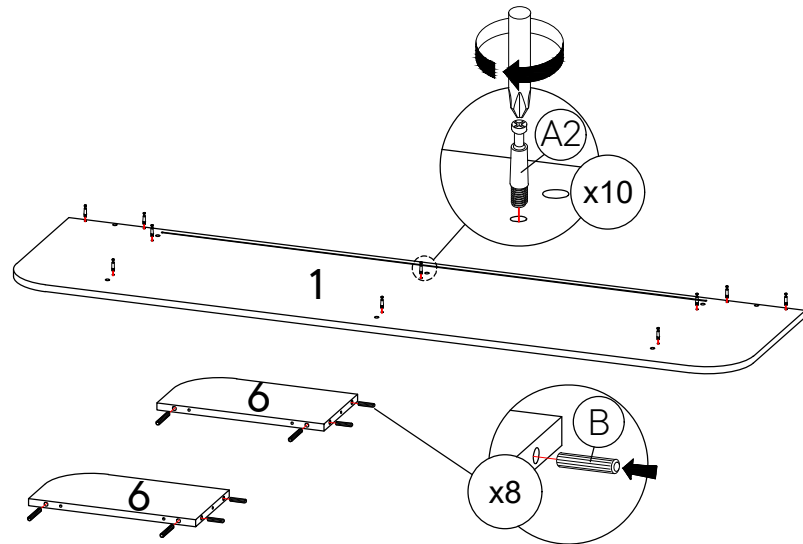
Step 1

HARDWARE

A2	Minifix Screw	x10
B	Wood Dowel M8 x 30mm	x8

COMPONENTS

1	Top Panel	x1
6	Middle Panel - L/R	x2



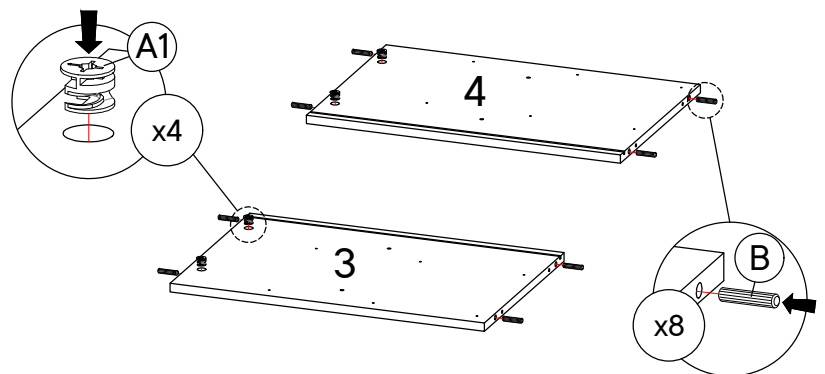
Step 2

HARDWARE

A1	Cam Lock	x4
B	Wood Dowel M8 x 30mm	x8

COMPONENTS

3	Side Panel - L	x1
4	Side Panel - R	x1



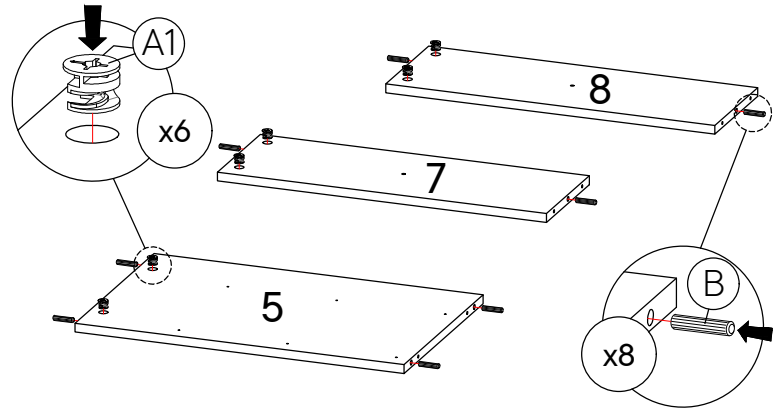
Step 3

HARDWARE

A1	Cam Lock	x6
B	Wood Dowel M8 x 30mm	x8

COMPONENTS

5	Center Panel	x1
7	Back Support - L	x1
8	Back Support - R	x1



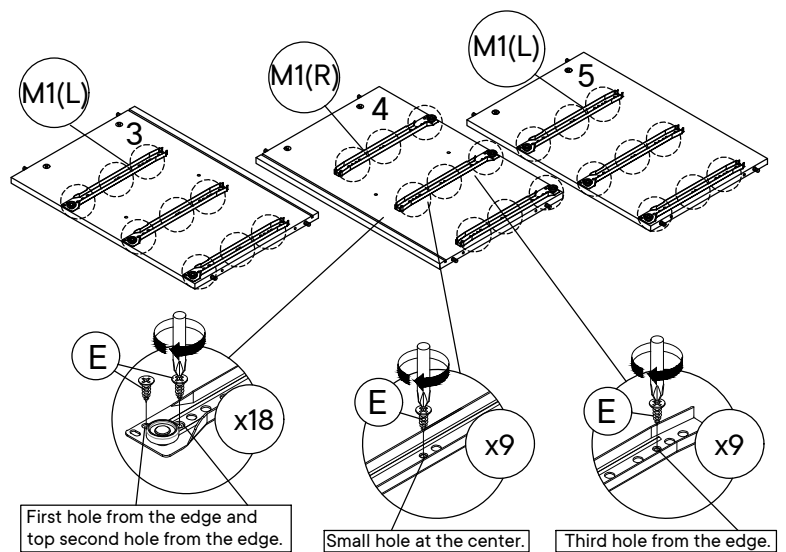
Step 4

HARDWARE

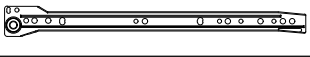
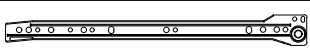
E	C.B Screw M3.5 x 16mm	x36
M1	12" Drawer Slide - L	x6
M1	12" Drawer Slide - R	x3

COMPONENTS

3	Side Panel - L	x1
4	Side Panel - R	x1
5	Center Panel	x1



Notes

M1		12" Drawer Slide - L
M1		12" Drawer Slide - R

Step 5


HARDWARE

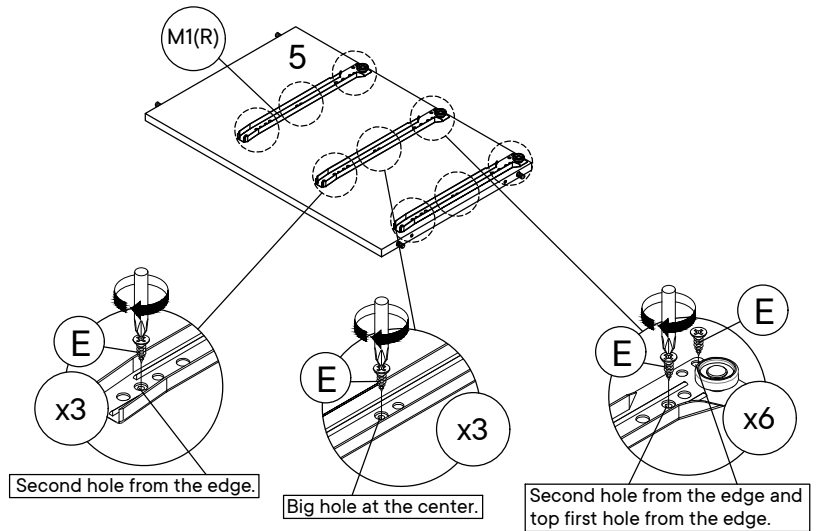
E	C.B Screw M3.5 x 16mm	x12
M1	12" Drawer Slide - R	x3

COMPONENTS

5	Center Panel	x1
----------	--------------	----

Notes

M1		12" Drawer Slide - R
-----------	---	----------------------



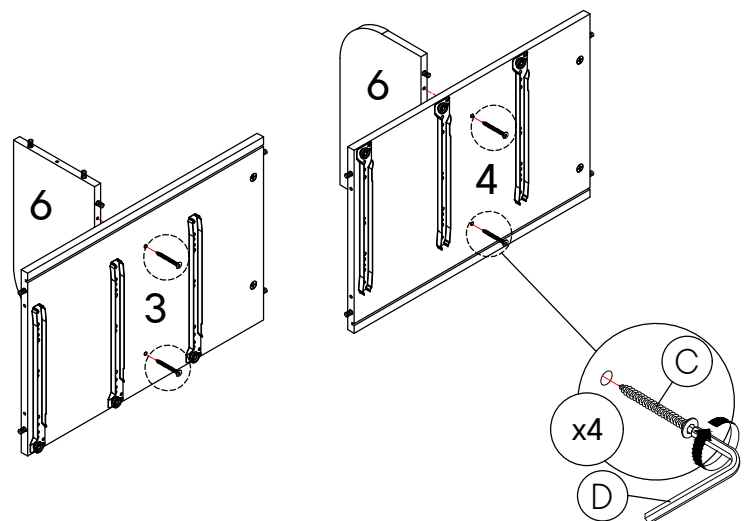
Step 6

HARDWARE

C	CSK Cap Wood Screw M6 x 50mm	x4
D	Allen Key M4	x1

COMPONENTS

3	Side Panel - L	x1
4	Side Panel - R	x1
6	Middle Panel - L/R	x2



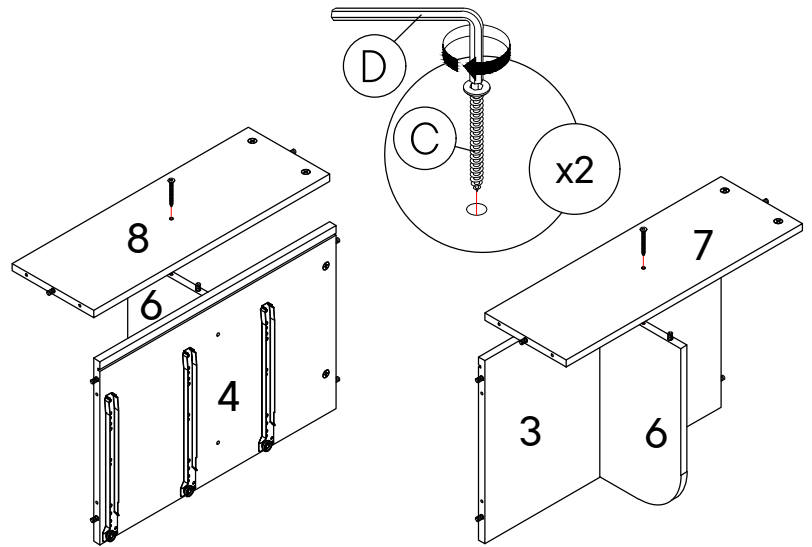
Step 7

HARDWARE

C	CSK Cap Wood Screw M6 x 50mm	x2
D	Allen Key M4	x1

COMPONENTS

7	Back Support - L	x1
8	Back Support - R	x1



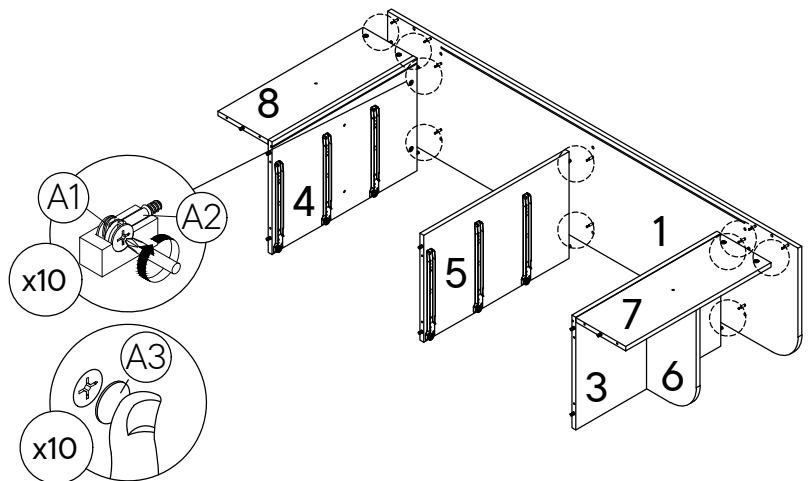
Step 8

HARDWARE

A3	Plastic Cap	x10
-----------	-------------	-----

COMPONENTS

3	Side Panel - L	x1
4	Side Panel - R	x1
5	Center Panel	x1
7	Back Support - L	x1
8	Back Support - R	x1

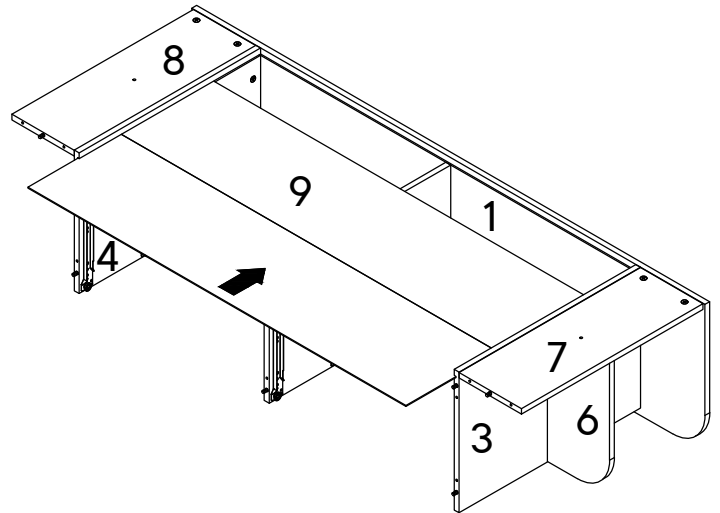
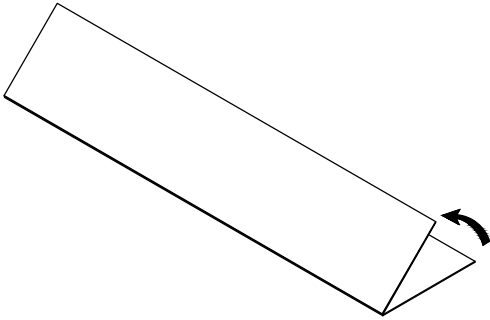


Step 9

COMPONENTS

- 9 Back Panel x1

Notes :
unfold the back panel



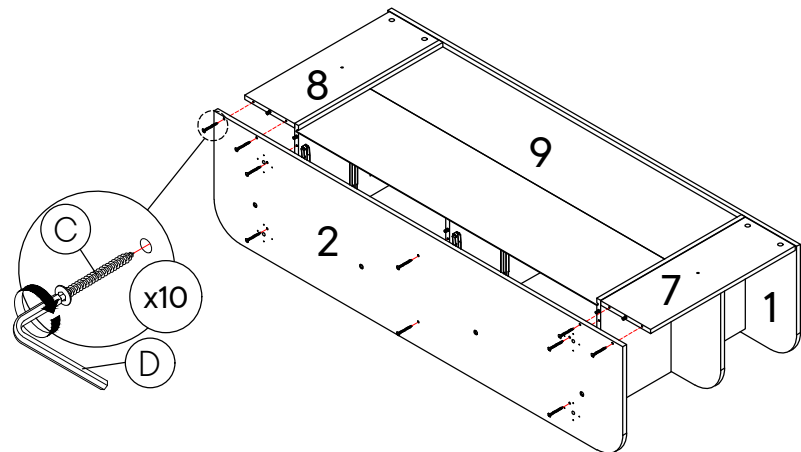
Step 10

HARDWARE

- C CSK Cap Wood Screw M6 x 50mm x10
- D Allen Key M4 x1

COMPONENTS

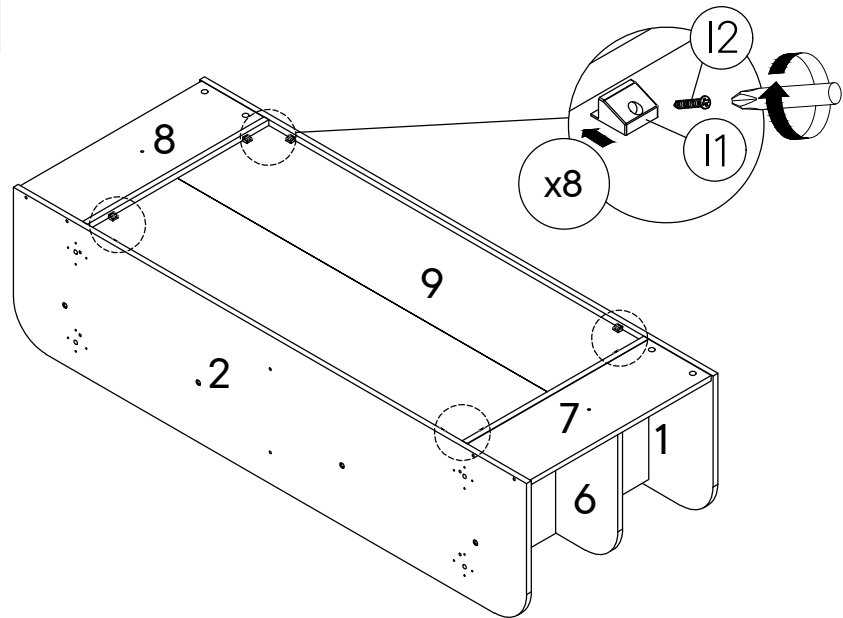
- 2 Bottom Panel x1



Step 11

HARDWARE

I1	Stud 192	x8
I2	Tapping Screw	x8



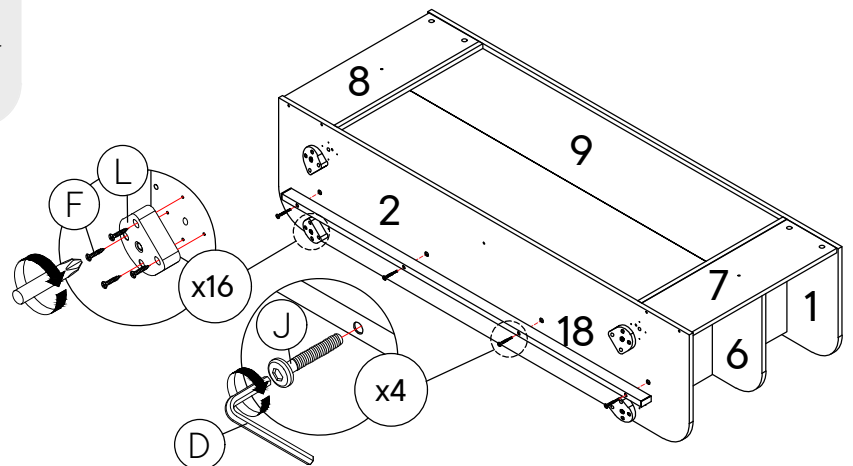
Step 12

HARDWARE

D	Allen Key M4	x1
F	C.B Screw M4 x 20mm	x16
L	Support Leg MT81	x4
J	JCBC Screw M6 x 50MM	x4

COMPONENTS

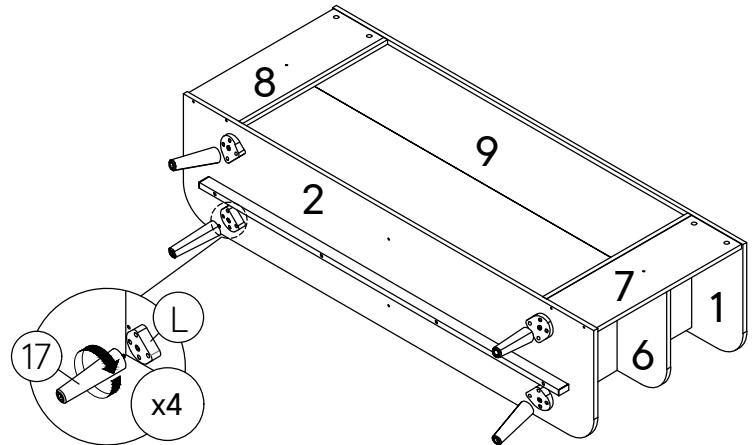
18	Metal Support	x1
-----------	---------------	----



Step 13

COMPONENTS

- 17** Cabinet Leg x4



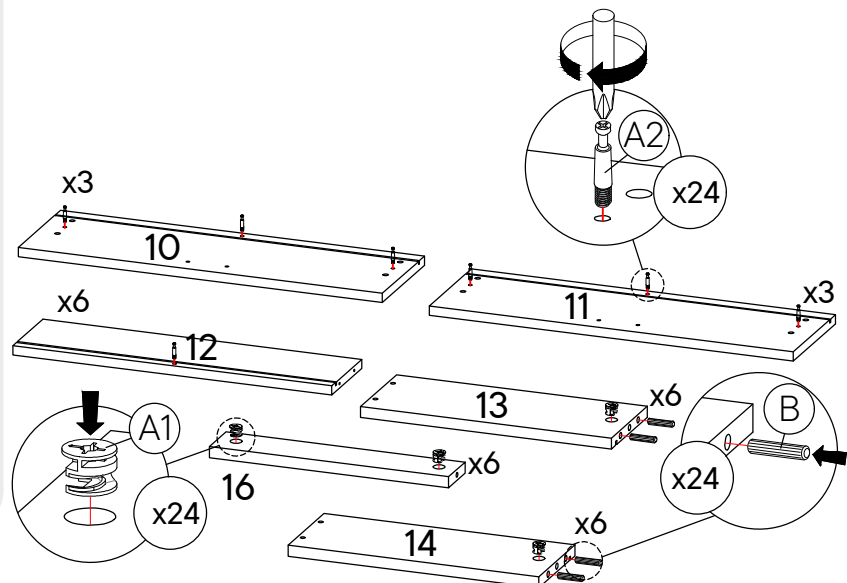
Step 14

HARDWARE

- A1** Cam Lock x24
- A2** Minifix Screw x24
- B** Wood Dowel M8 x 30mm x24

COMPONENTS

- 10** Drawer Front - L x3
- 11** Drawer Front - R x3
- 12** Drawer Back x6
- 13** Drawer Side - L x6
- 14** Drawer Side - R x6
- 16** Drawer Support x6



Step 15

HARDWARE

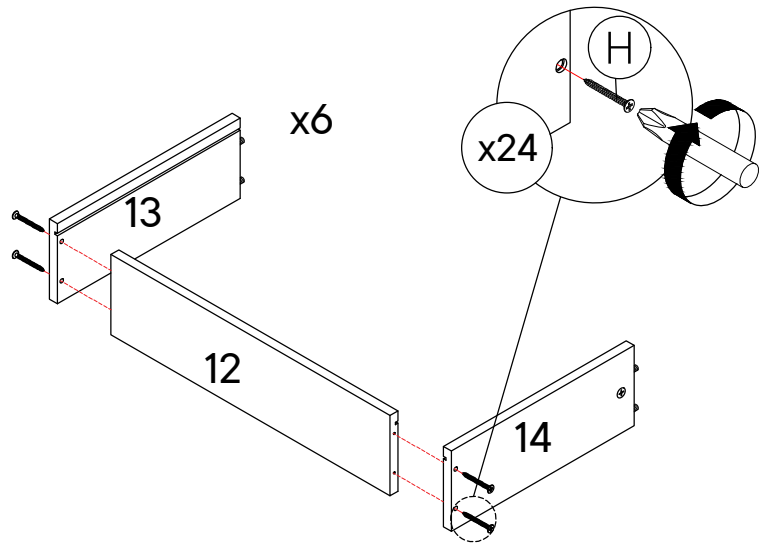
H C.B Screw M4 x 38mm x24

COMPONENTS

12 Drawer Back x6

13 Drawer Side - L x6

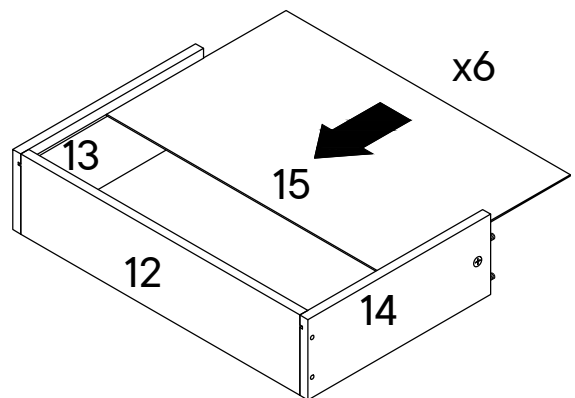
14 Drawer Side - R x6



Step 16

COMPONENTS

15 Drawer Bottom x6



Step 17

HARDWARE

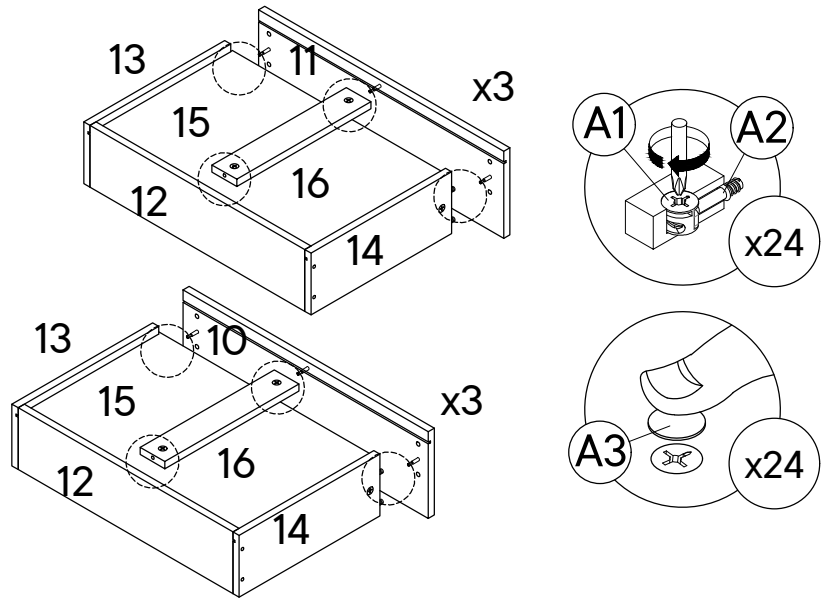
A3 Plastic Cap x24

COMPONENTS

10 Drawer Front - L x3

11 Drawer Front - R x3

16 Drawer Support x6



Step 18

HARDWARE

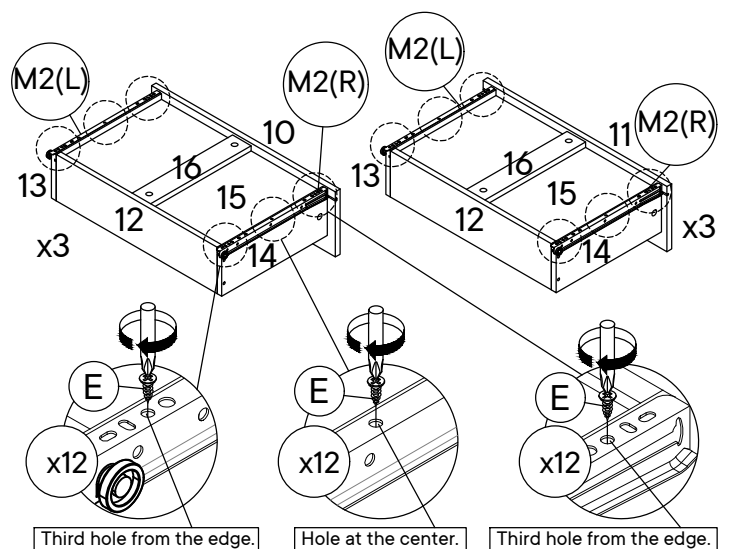
E C.B Screw M3.5 x 16mm x36

M2 12" Drawer Slide - L x6

M2 12" Drawer Slide - R x6

Notes

M2		12" Drawer Slide - L
M2		12" Drawer Slide - R



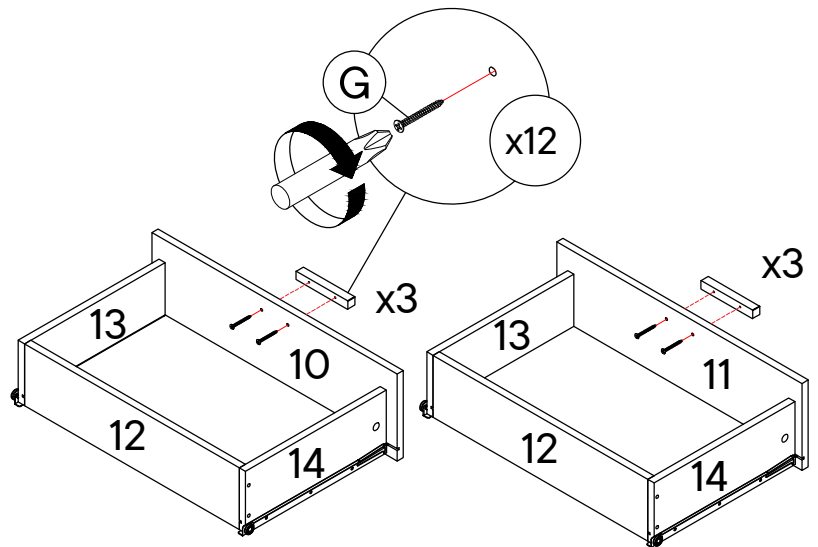
Step 19

HARDWARE

- G** C.B Screw M4 x 32mm x12
- K** Wood Handle (126MM) x6

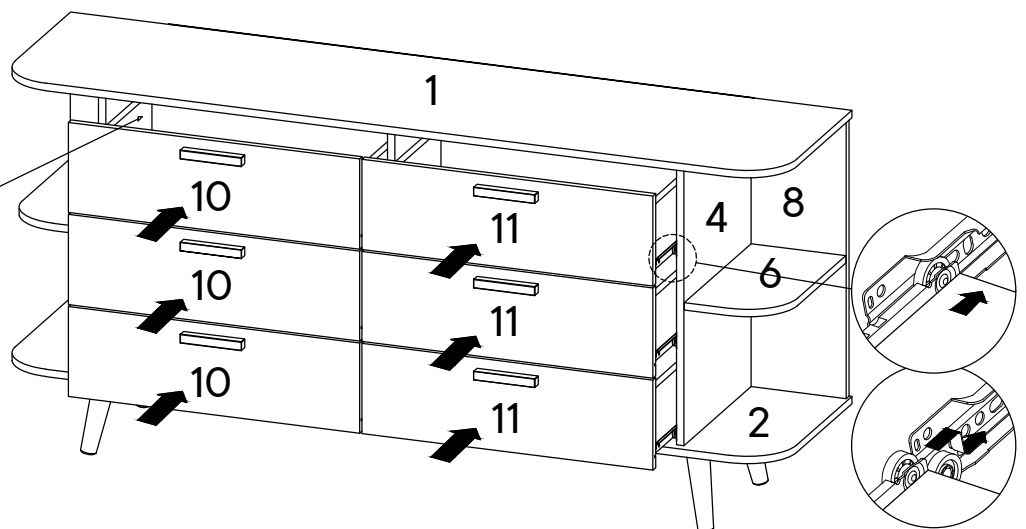
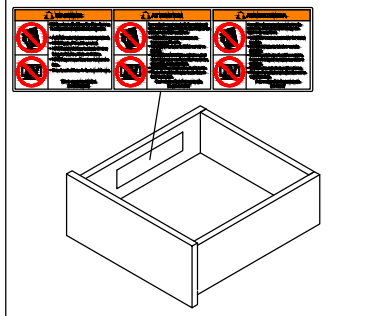
COMPONENTS

- 10** Drawer Front - L x3
- 11** Drawer Front - R x3



Step 20

Drawer with warning labels on top.



Put all the drawer in place along the drawer slides.

Great job!

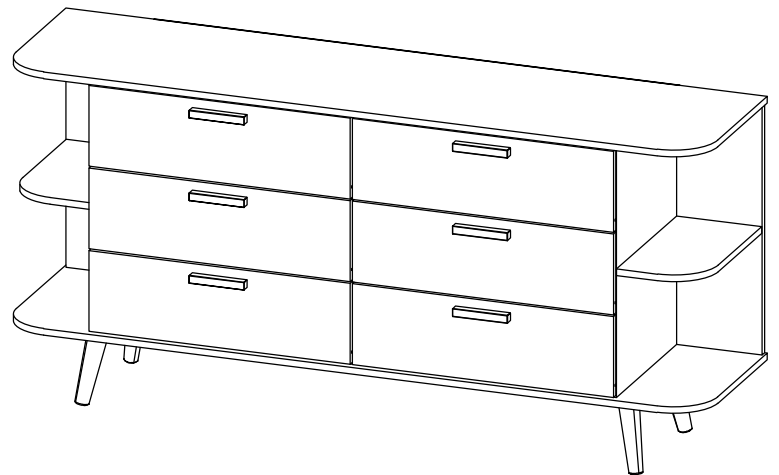
Your new sideboard is ready.

♥ CARING FOR YOUR ITEM

Depending on use, it may be necessary to tighten the hardware from time to time, so please save the tools that have been provided.

Not contract grade.

Clean using a non-abrasive cloth and a mild cleaner.



CONNECT WITH US!

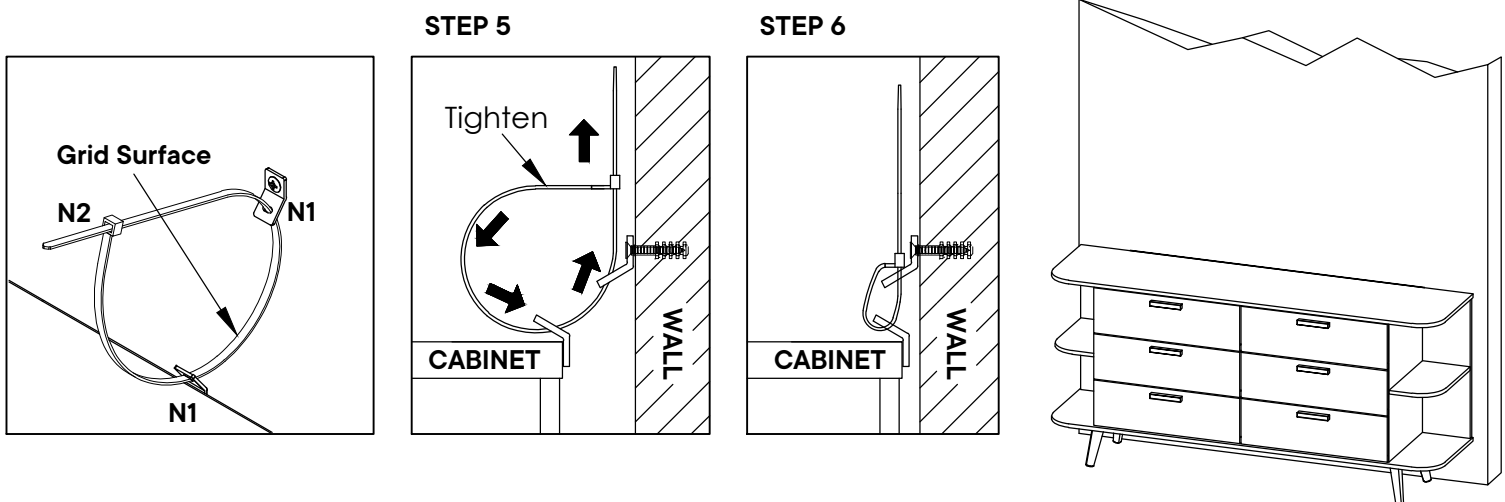
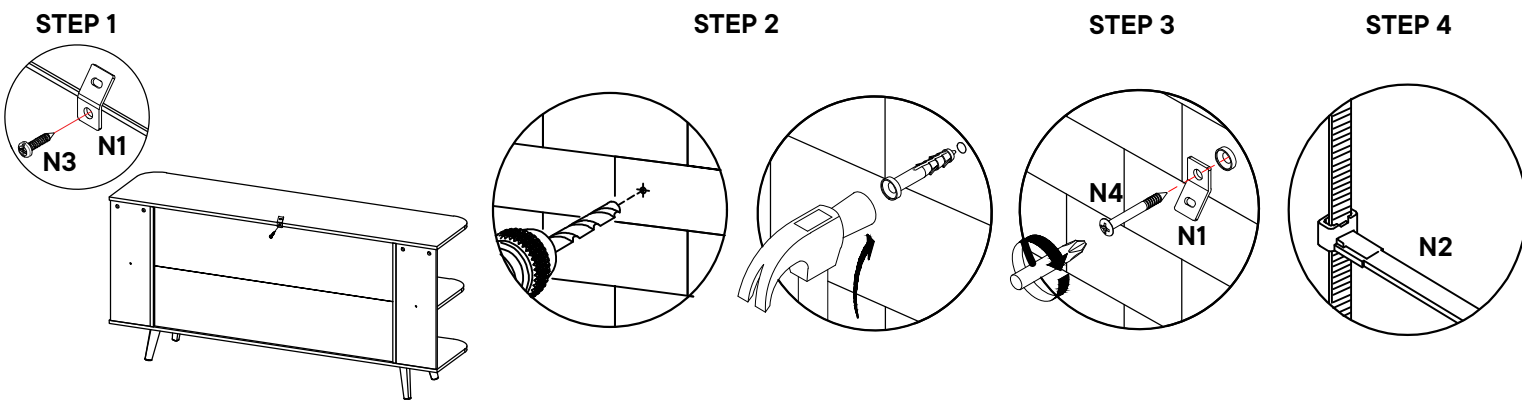
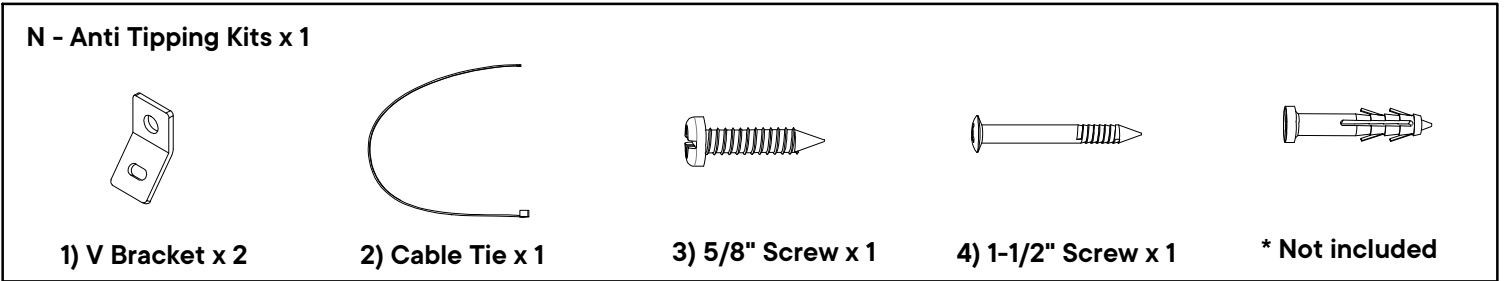
Tag us [@modway_furniture](#) and [#modway](#) for a chance to be featured.

TIPPING RESTRAINTS KIT INSTALLATION GUIDANCE

Different wall materials require unique wall fasteners.

The wall plugs (not included) are designed for fixing to concrete walls only.

Please consult your local hardware store to ensure you are using the correct hardware for your wall type



Installation Instruction:

1. Attach a bracket (N1) securely to the back top rail of the furniture using screw (N3) provided through the smaller hole.
2. Make a hole for wall plugs (not included) position on the wall above the bracket (N1) that secured to the back unit. Attach the wall plug (not included) into the hole by hammer. Fix the other bracket (N1) to the wall plug (not included) through the smaller hole using screw (N4).
3. Place the furniture unit into position so both mounting brackets are vertically in line.
4. Lace the end of cable tie (N2) through the larger hole in each mounting bracket, bring both ends together and slide the flat end through the locking end and draw it through until all slack is removed.
5. Make sure the strap is securely laced and locked.