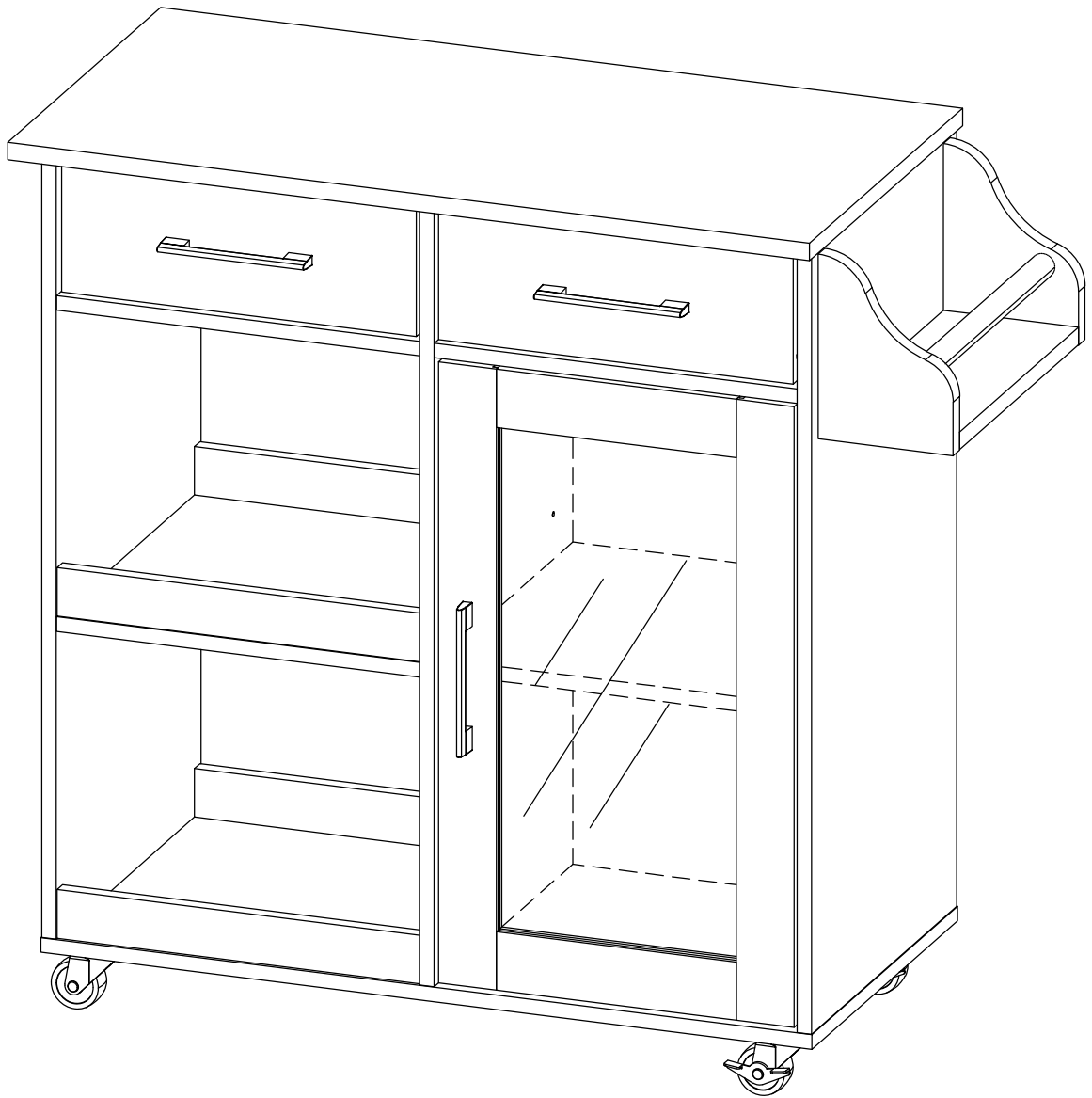


ASSEMBLY INSTRUCTIONS

EEI-6277

V1.15.01.23



Questions? Contact us!

609.256.9000 • cs@modway.com
www.modway.com

***modway**

Let's get started!

***modway**



Read through all of the instructions before starting



Care instructions are listed in the last step of this manual



Approx. 60 minutes assembly time



Make sure you have all parts and components before discarding any packing materials



2 people recommended for assembly

Only use hand tools to assemble this item. Do not use power tools. Do not tighten bolts or screws completely until all hardware is lined up and inserted into the holes.

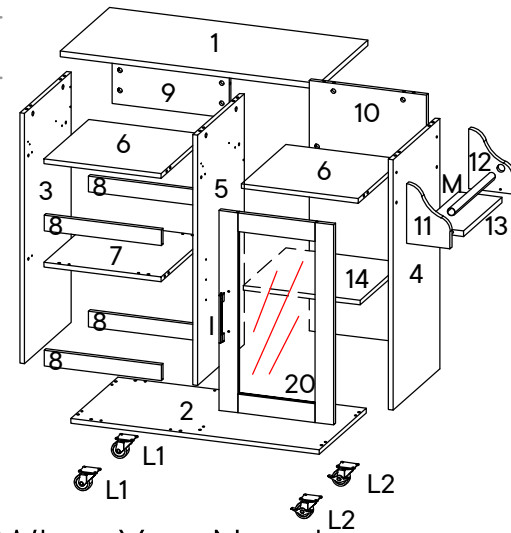
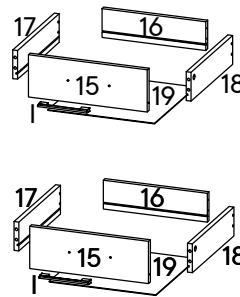
Do not over-tighten screws and bolts to avoid stripping the hardware or cracking the item.

Assemble your item on a flat, carpeted area, with plenty of space to work. This will prevent damage and scratches to your floors or the item while you're assembling the product.

Keep all components and packaging out of reach of children or animals to avoid risk of choking or suffocation.

Furniture components:

1	Top Panel	x1	10	Back Panel - R	x1	19	Drawer Bottom	x2
2	Bottom Panel	x1	11	Spice Rack Side - L	x1	20	Door Panel	x1
3	Side Panel - L	x1	12	Spice Rack Side - R	x1			
4	Side Panel - R	x1	13	Spice Rack Bottom	x1			
5	Center Panel	x1	14	Shelf Panel	x1			
6	Middle Panel - 1	x2	15	Drawer Front	x2			
7	Middle Panel - 2	x1	16	Drawer Back	x2			
8	Middle Support	x4	17	Drawer Side - L	x2			
9	Back Panel - L	x1	18	Drawer Side - R	x2			



Provided hardware:

A1		Cam Lock	x34	J		Soft Closing 7/8 Hinges	x2
A2		Minifix Screw	x34	K1		12" Drawer Slide - L/R	x4
A3		Plastic Cap	x34	K2		12" Drawer Slide - L/R	x4
B		Wood Dowel M8 x 30mm	x44	L1		Nylon Caster	x2
C		CSK Cap Wood Screw M6 x 50mm	x11	L2		Nylon Caster With Stopper	x2
D		Allen Key M4	x1	M		Round Pipe	x1
E		C.B Screw M3.5 x 16mm	x56				
F		C.B Screw M4 x 25mm	x6				
G		C.B Screw M4 x 38mm	x16				
H		Metal Shelf Support	x4				
I		PVC Handle 00036	x3				

What You Need:

Phillips Head Screwdriver*

*Not included

Wait!

Missing parts or hardware? Need assistance?
Contact us before returning your item. We're here to help!
609.256.9000 • cs@modway.com

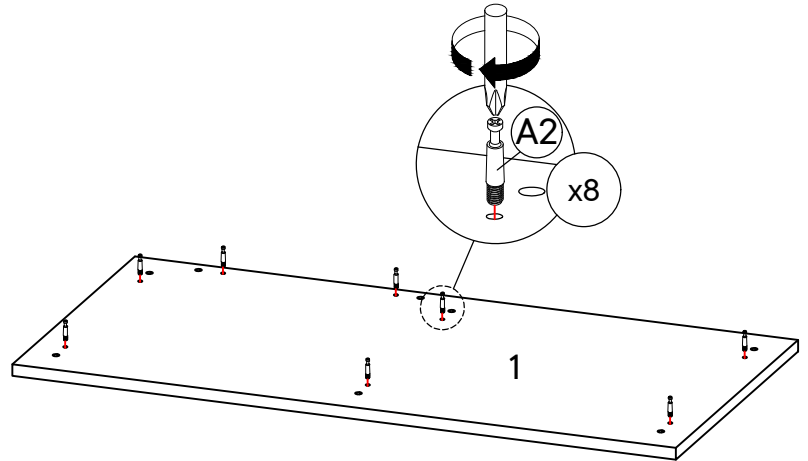
Step 1

HARDWARE

A2 Minifix Screw x8

COMPONENTS

1 Top Panel x1



Step 2

HARDWARE

A1 Cam Lock x6

A2 Minifix Screw x20

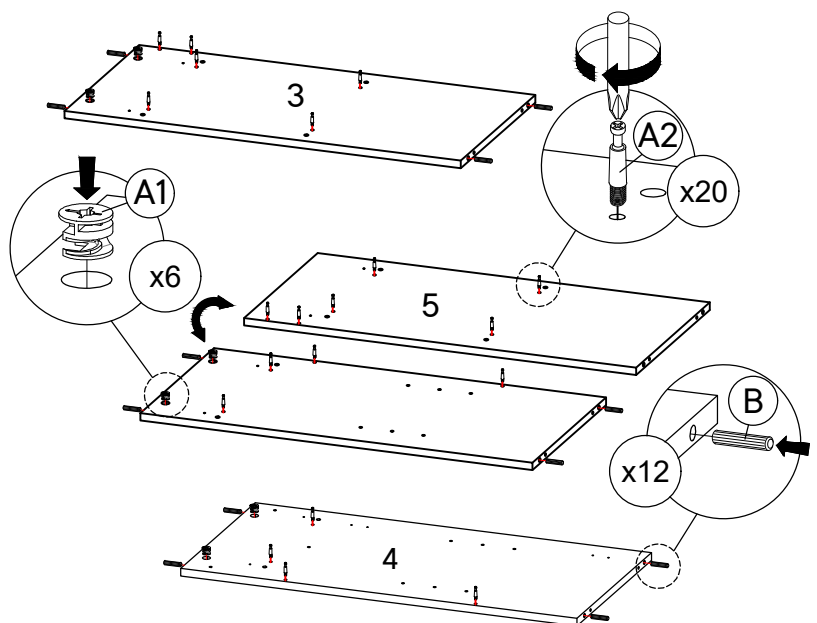
B Wood Dowel M8 x 30mm x12

COMPONENTS

3 Side Panel - L x1

4 Side Panel - R x1

5 Center Panel x1



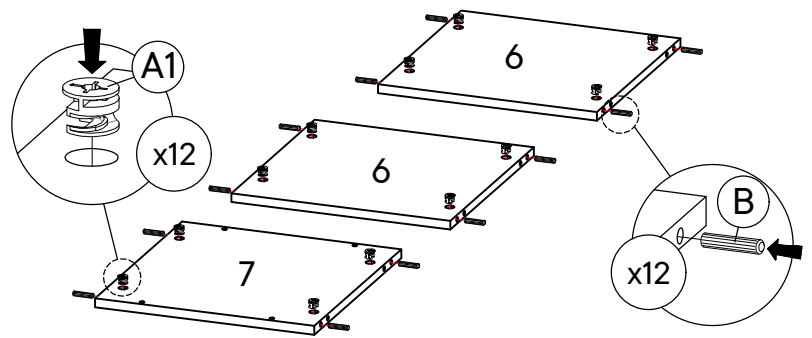
Step 3

HARDWARE

A1	Cam Lock	x12
B	Wood Dowel M8 x 30mm	x12

COMPONENTS

6	Middle Panel - 1	x2
7	Middle Panel - 2	x1



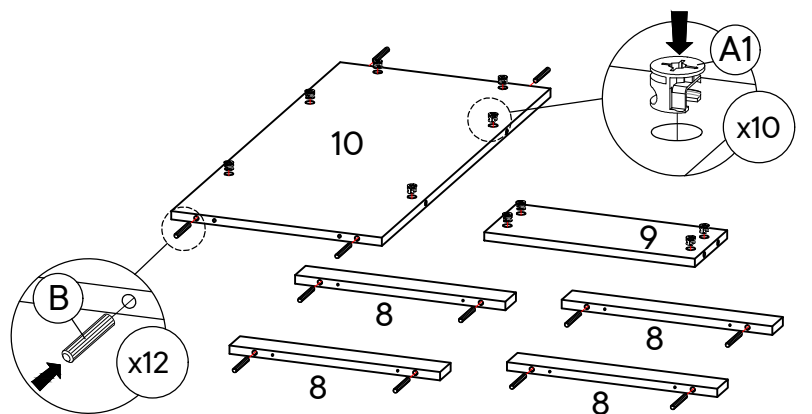
Step 4

HARDWARE

A1	Cam Lock	x10
B	Wood Dowel M8 x 30mm	x12

COMPONENTS

8	Middle Support	x4
9	Back Panel - L	x1
10	Back Panel - R	x1



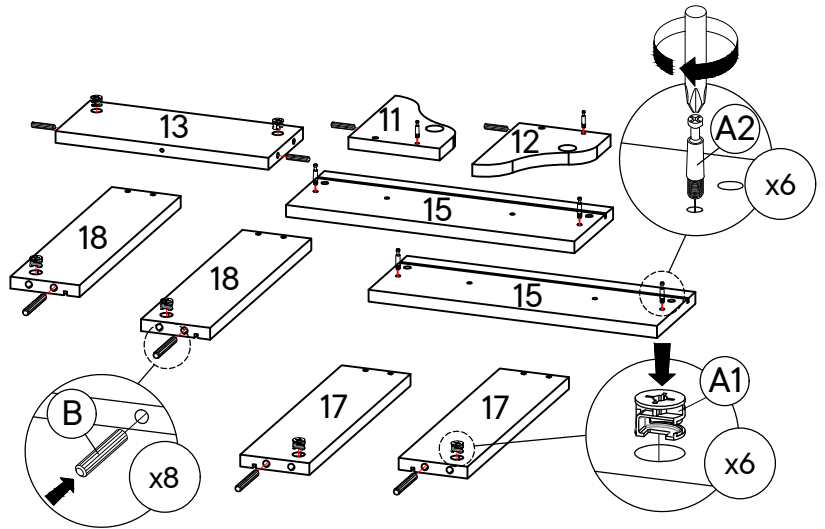
Step 5

HARDWARE

A1	Cam Lock	x6
A2	Minifix Screw	x6
B	Wood Dowel M8 x 30mm	x8

COMPONENTS

11	Spice Rack Side - L	x1
12	Spice Rack Side - R	x1
13	Spice Rack Bottom	x1
15	Drawer Front	x2
17	Drawer Side - L	x2
18	Drawer Side - R	x2



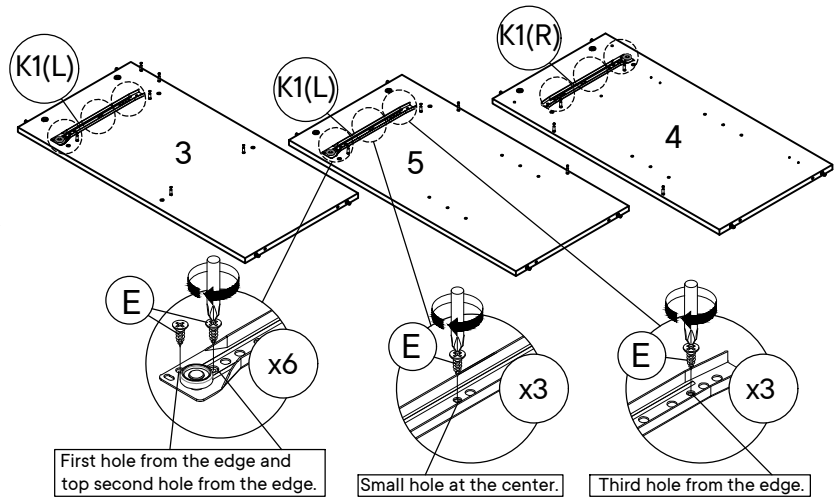
Step 6

HARDWARE

E	C.B Screw M3.5 x 16mm	x12
K1	12" Drawer Slide - L	x2
K1	12" Drawer Slide - R	x1

COMPONENTS

3	Side Panel - L	x1
4	Side Panel - R	x1
5	Center Panel	x1



Notes

K1		12" Drawer Slide - L
K1		12" Drawer Slide - R

Step 7


HARDWARE

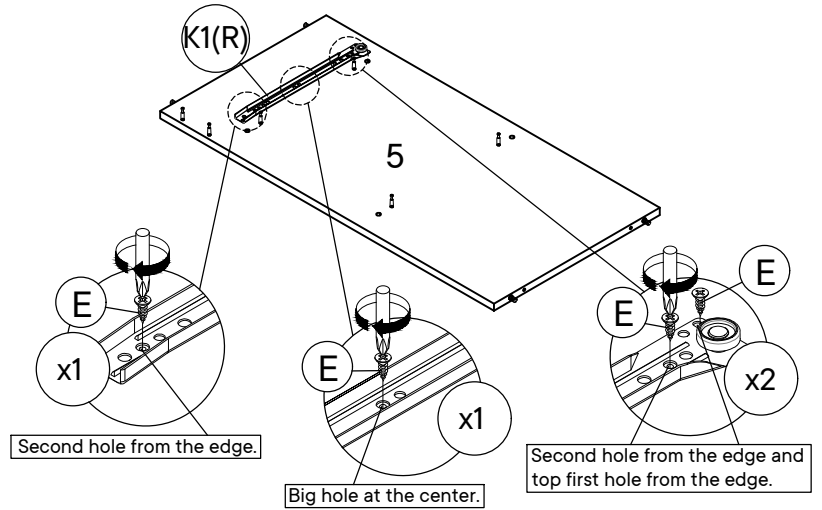
E	C.B Screw M3.5 x 16mm	x4
K1	12" Drawer Slide - R	x1

COMPONENTS

5	Center Panel	x1
----------	--------------	----

Notes

K1		12" Drawer Slide - R
-----------	---	----------------------



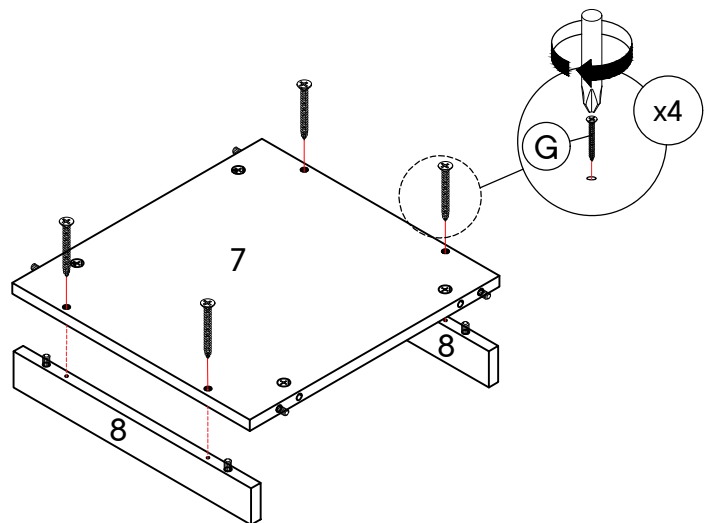
Step 8

HARDWARE

G	C.B Screw M4 x 38mm	x4
----------	---------------------	----

COMPONENTS

7	Middle Panel - 2	x1
8	Middle Support	x2



Step 9

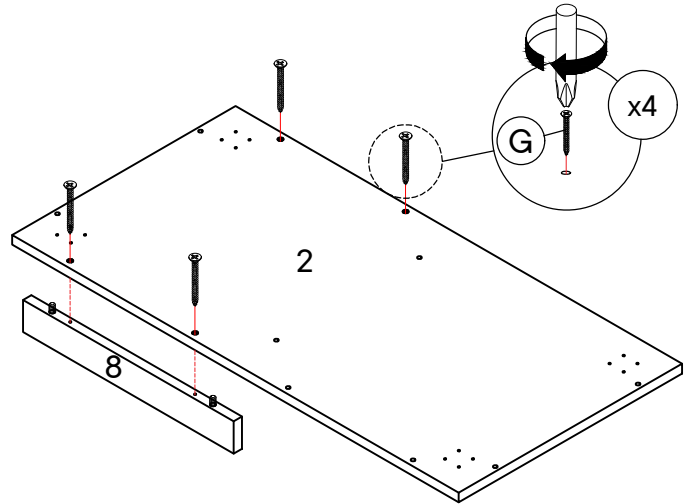
HARDWARE

G C.B Screw M4 x 38mm x4

COMPONENTS

2 Bottom Panel x1

8 Middle Support x2



Step 10

HARDWARE

A3 Plastic Cap x6

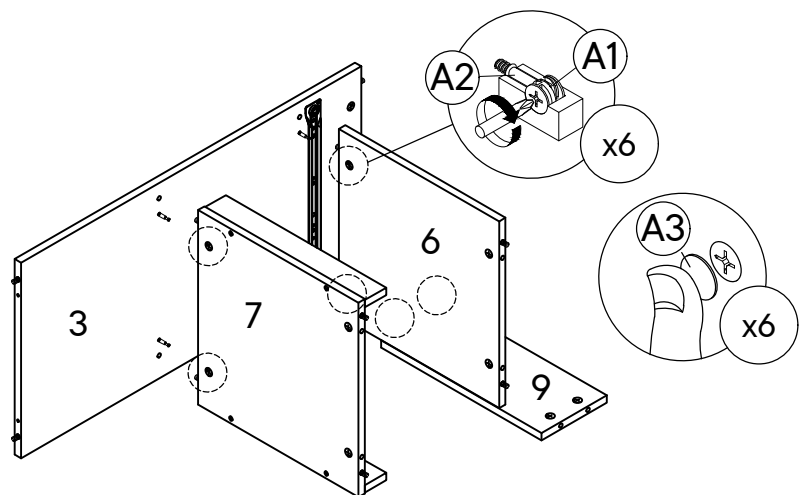
COMPONENTS

3 Side Panel - L x1

6 Middle Panel - 1 x1

7 Middle Panel - 2 x1

9 Back Panel - L x1



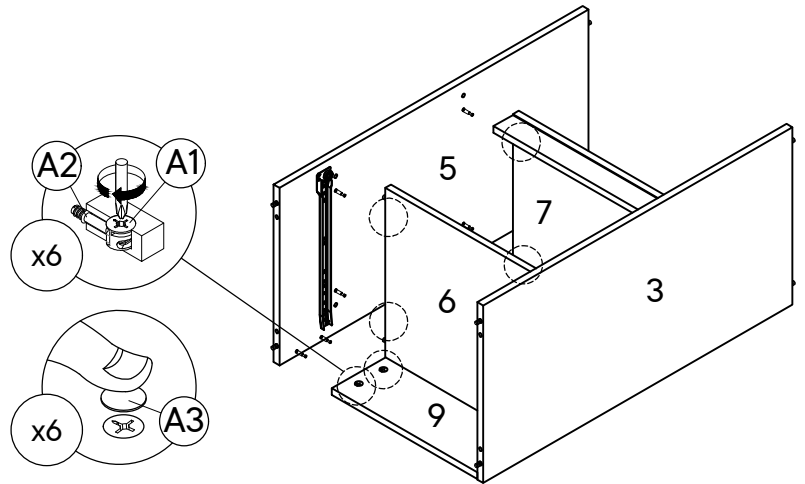
Step 11

HARDWARE

A3	Plastic Cap	x6
D	Allen Key M4	x1

COMPONENTS

5	Center Panel	x1
----------	--------------	----



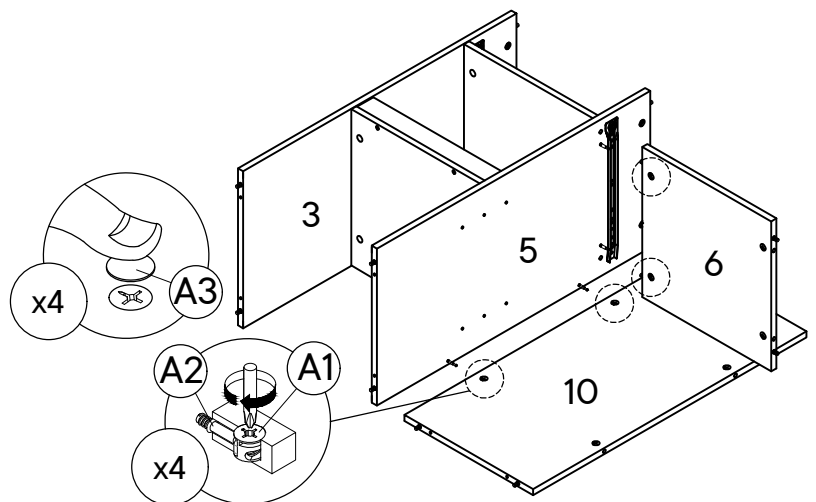
Step 12

HARDWARE

A3	Plastic Cap	x4
D	Allen Key M4	x1

COMPONENTS

6	Middle Panel - 1	x1
10	Back Panel - R	x1



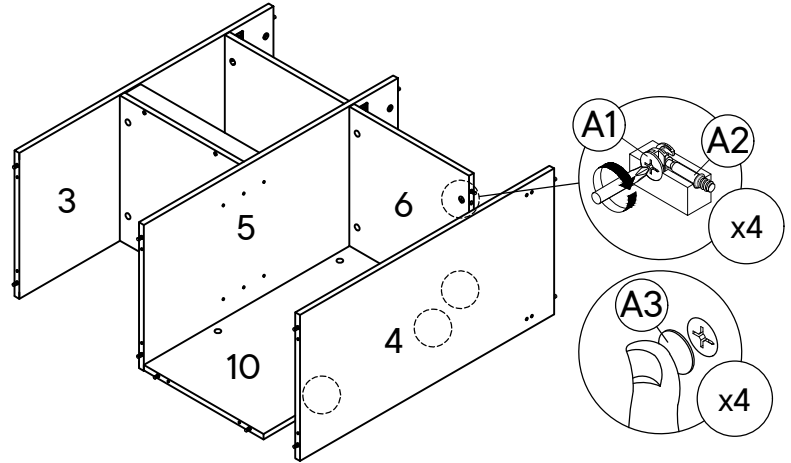
Step 13

HARDWARE

A3 Plastic Cap x4

COMPONENTS

4 Side Panel - R x1



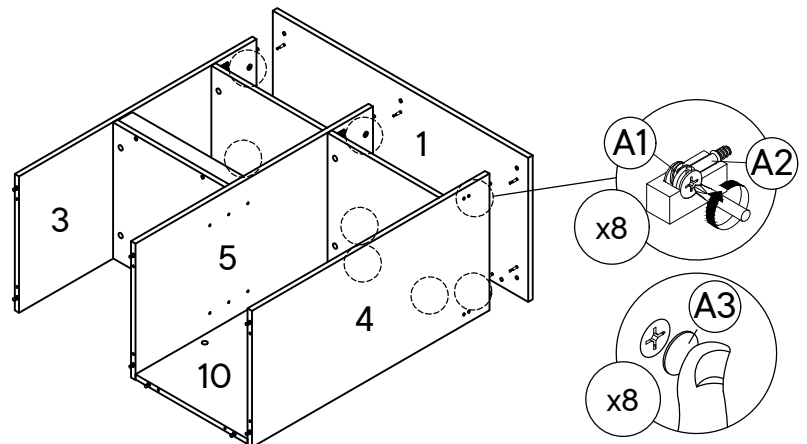
Step 14

HARDWARE

A3 Plastic Cap x8

COMPONENTS

1 Top Panel x1



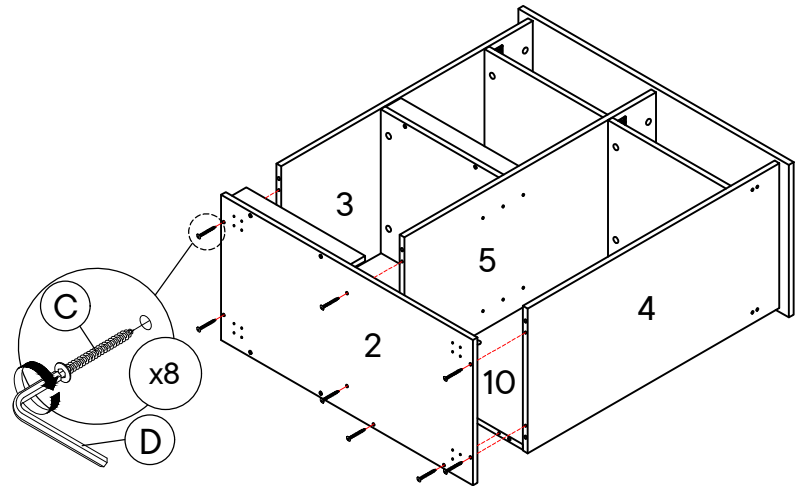
Step 15

HARDWARE

- C** CSK Cap Wood Screw M6 x 50mm x8
- D** Allen Key M4 x1

COMPONENTS

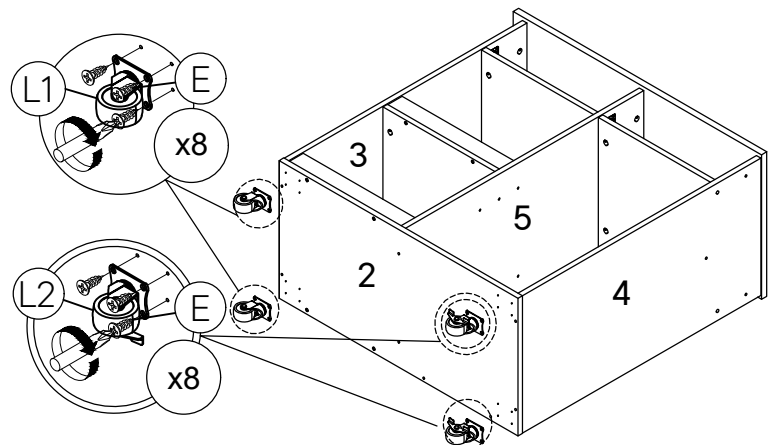
- 2** Bottom Panel x1



Step 16

HARDWARE

- E** C.B Screw M3.5 x 16mm x16
- L1** Nylon Caster x2
- L2** Nylon Caster With Stopper x2



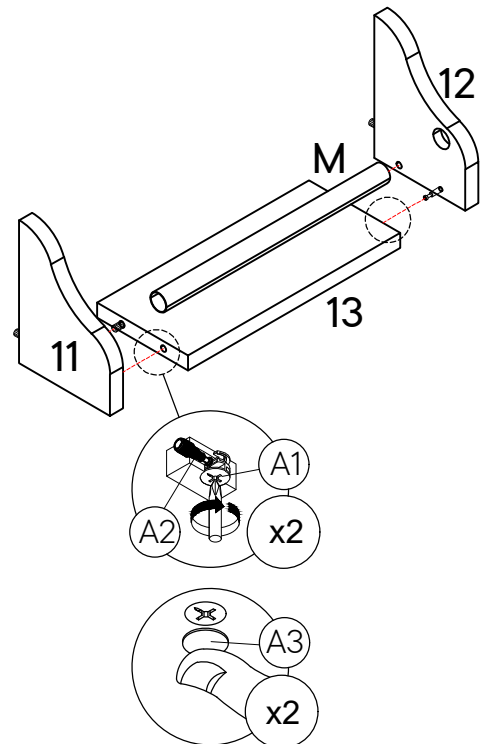
Step 17

HARDWARE

- A3** Plastic Cap x2
- M** Round Pipe x1

COMPONENTS

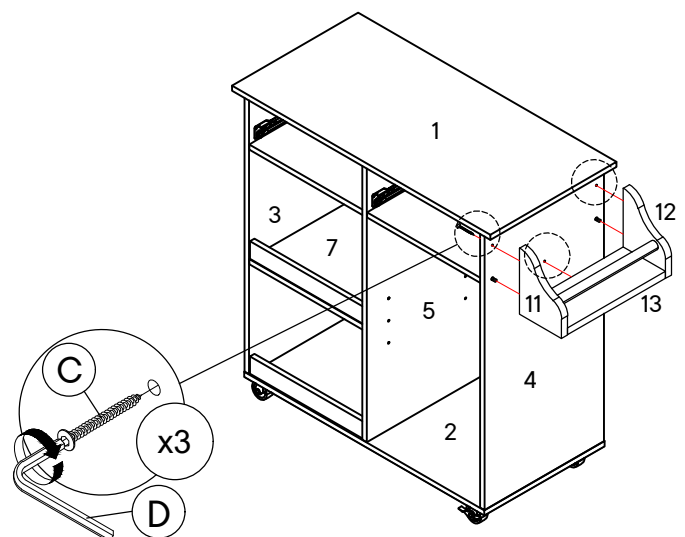
- 11** Spice Rack Side - L x1
- 12** Spice Rack Side - R x1
- 13** Spice Rack Bottom x1



Step 18

HARDWARE

- C** CSK Cap Wood Screw M6 x 50mm x3
- D** Allen Key M4 x1

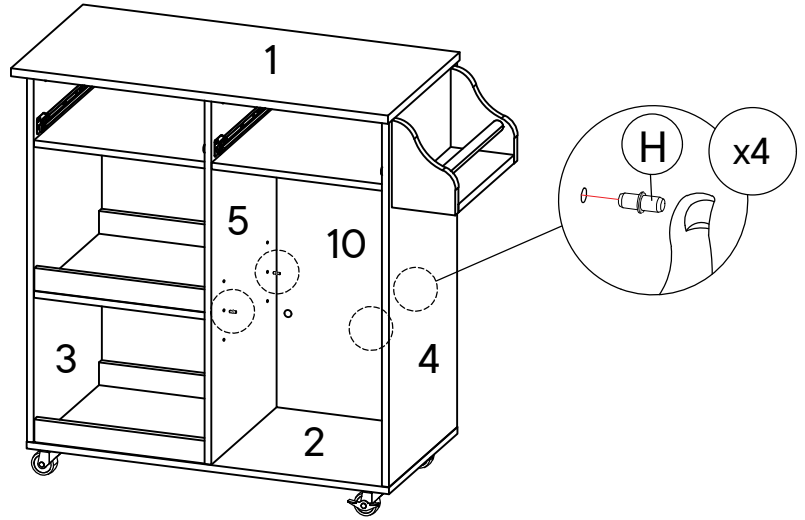


Step 19

HARDWARE

H Metal Shelf Support

x4

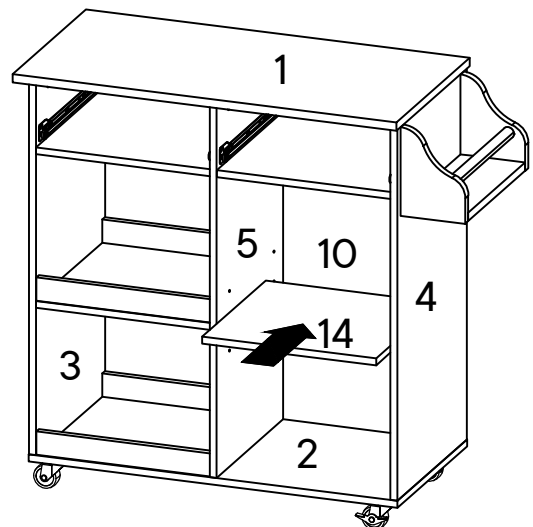


Step 20

COMPONENTS

14 Shelf Panel

x1



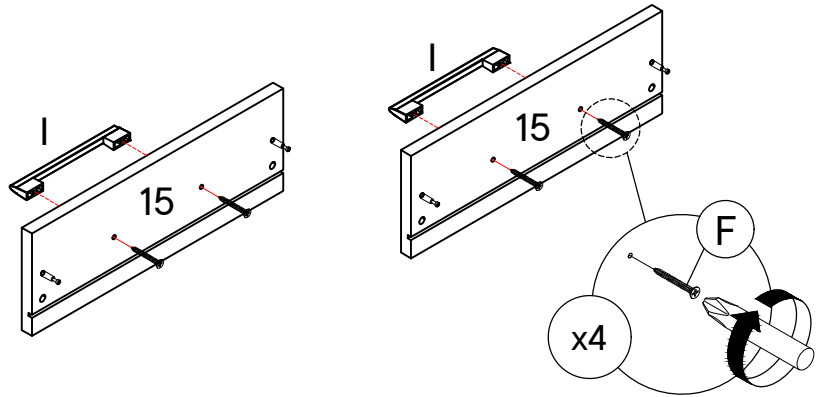
Step 21

HARDWARE

- F** C.B Screw M4 x 25mm x4
- I** PVC Handle 00036 x2

COMPONENTS

- 15** Drawer Front x2



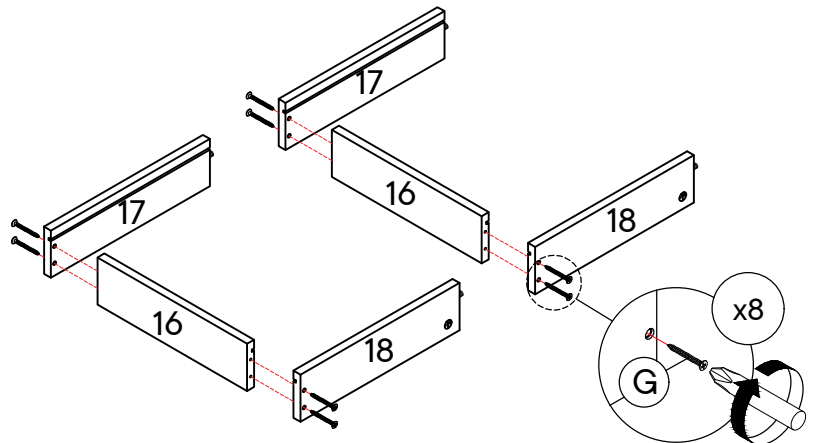
Step 22

HARDWARE

- G** C.B Screw M4 x 38mm x8

COMPONENTS

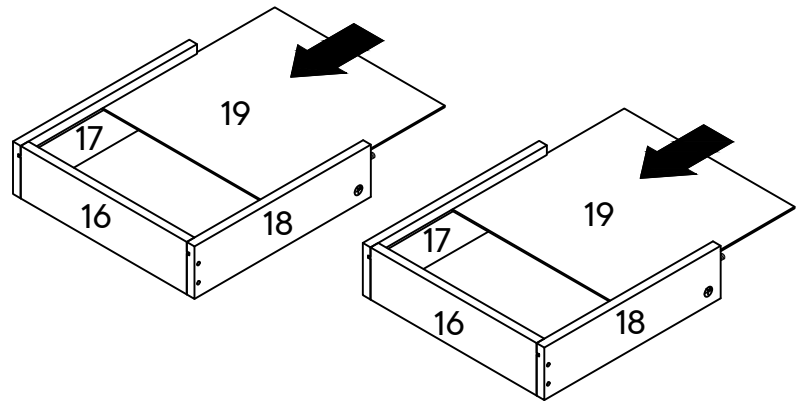
- 16** Drawer Back x2
- 17** Drawer Side - L x2
- 18** Drawer Side - R x2



Step 23

COMPONENTS

- 19 Drawer Bottom x2



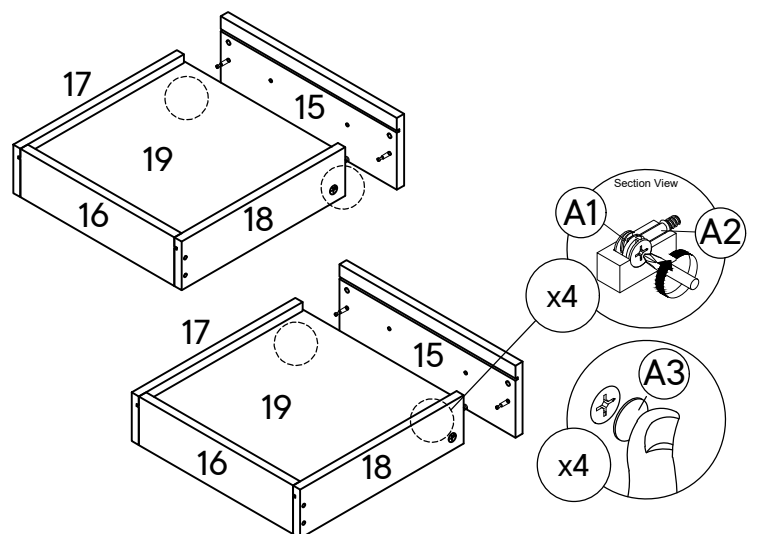
Step 24

HARDWARE

- A3 Plastic Cap x4

COMPONENTS

- 15 Drawer Front x2

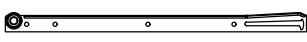
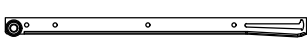


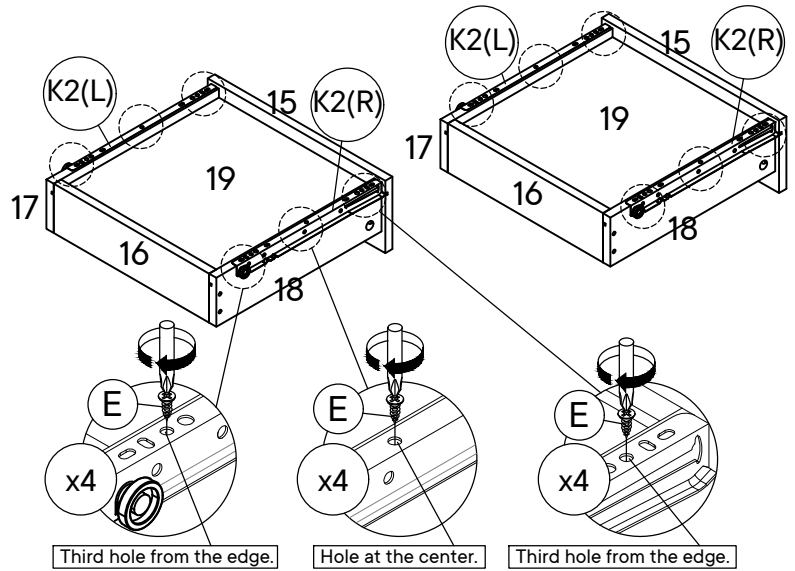
Step 25

HARDWARE

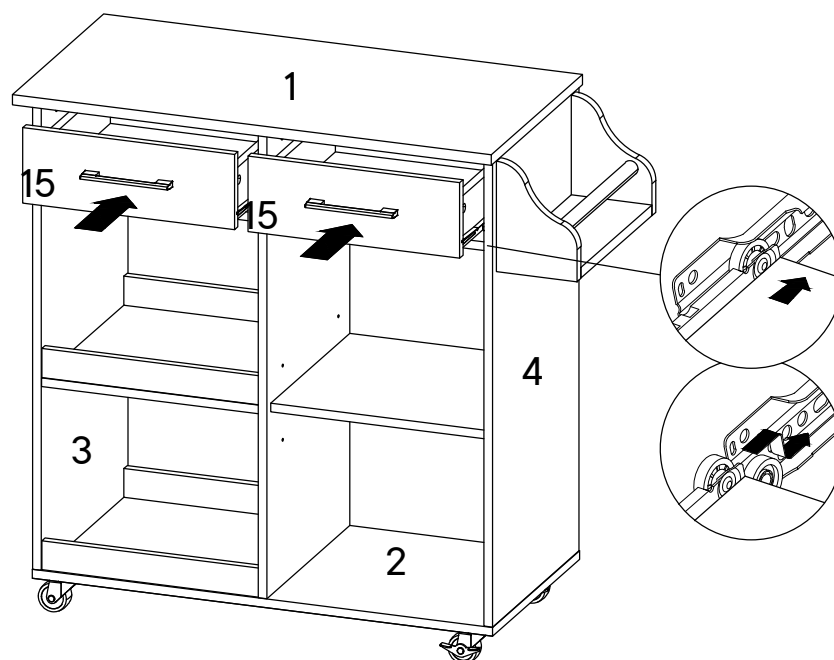
- E** C.B Screw M3.5 x 16mm x12
- K2** 12" Drawer Slide - L x2
- K2** 12" Drawer Slide - R x2

Notes

K2		12" Drawer Slide - L
K2		12" Drawer Slide - R



Step 26



Put all the drawer in place along the drawer slides.

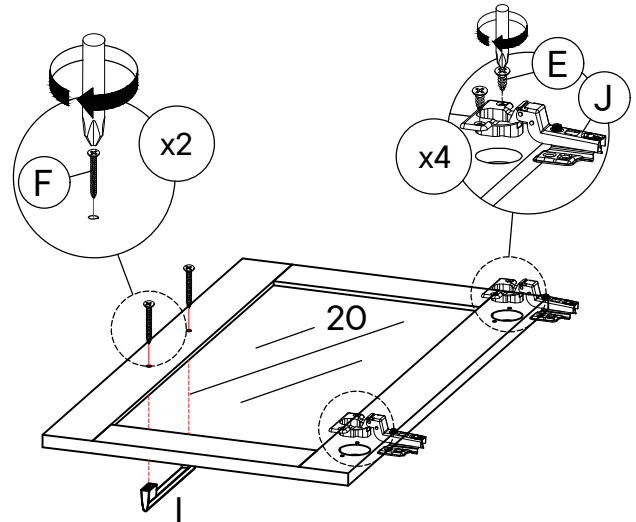
Step 27

HARDWARE

E	C.B Screw M3.5 x 16mm	x4
F	C.B Screw M4 x 25mm	x2
I	PVC Handle 00036	x1
J	Soft Closing 7/8 Hinges	x2

COMPONENTS

20	Door Panel	x1
-----------	------------	----



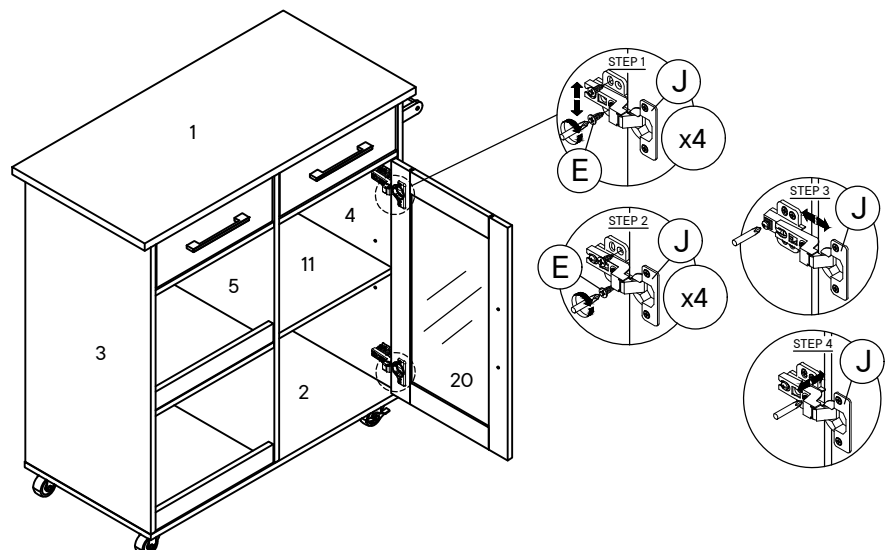
Step 28

HARDWARE

E	C.B Screw M3.5 x 16mm	x8
----------	-----------------------	----

Fix hardware J into panel (4) by using hardware E.
(Repeat 4 times for each hardware.)

Tighten or loosen the screw to adjust
position of panel (20).
(Do only when needed.)



Great job!

Your new kitchen cart is ready.

♥ CARING FOR YOUR ITEM

Depending on use, it may be necessary to tighten the hardware from time to time, so please save the tools that have been provided.

Not contract grade.

Clean using a non-abrasive cloth and a mild cleaner.

CONNECT WITH US!

Tag us [@modway_furniture](#) and [#modway](#) for a chance to be featured.

