

ASSEMBLY INSTRUCTIONS

EEI-6276

V1.15.01.23



Questions? Contact us!

609.256.9000 • cs@modway.com
www.modway.com

***modway**

Let's get started!

***modway**



Read through all of the instructions before starting



Care instructions are listed in the last step of this manual



Approx. 60 minutes assembly time



Make sure you have all parts and components before discarding any packing materials



2 people recommended for assembly

Only use hand tools to assemble this item. Do not use power tools. Do not tighten bolts or screws completely until all hardware is lined up and inserted into the holes.

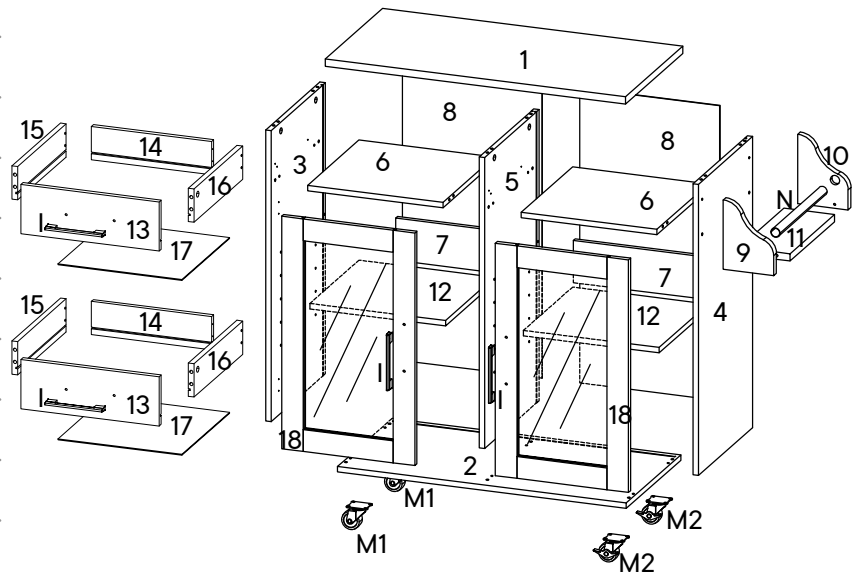
Do not over-tighten screws and bolts to avoid stripping the hardware or cracking the item.

Assemble your item on a flat, carpeted area, with plenty of space to work. This will prevent damage and scratches to your floors or the item while you're assembling the product.

Keep all components and packaging out of reach of children or animals to avoid risk of choking or suffocation.

Furniture components:

1	Top Panel	x1	10	Spice Rack Side - R	x1
2	Bottom Panel	x1	11	Spice Rack Bottom	x1
3	Side Panel - L	x1	12	Shelf Panel	x2
4	Side Panel - R	x1	13	Drawer Front	x2
5	Center Panel	x1	14	Drawer Back	x2
6	Middle Panel	x2	15	Drawer Side - L	x2
7	Body Support	x2	16	Drawer Side - R	x2
8	Back Panel	x2	17	Drawer Bottom	x2
9	Spice Rack Side - L	x1	18	Door Panel	x2



Provided hardware:

A1		Cam Lock	x28	J		Soft Closing 7/8 Hinges	x4
A2		Minifix Screw	x28	K1		Stud 192	x12
A3		Plastic Cap	x28	K2		Tapping Screw	x12
B		Wood Dowel M8 x 30mm	x28	L1		12" Drawer Slide - L/R	x4
C		CSK Cap Wood Screw M6 x 50mm	x9	L2		12" Drawer Slide - L/R	x4
D		Allen Key M4	x1	M1		Nylon Caster	x2
E		C.B Screw M3.5 x 16mm	x68	M2		Nylon Caster With Stopper	x2
F		C.B Screw M4 x 25mm	x8	N		Round Pipe	x1
G		C.B Screw M4 x 38mm	x8				
H		Metal Shelf Support	x8				
I		PVC Handle 00036	x4				

What You Need:

Phillips Head Screwdriver*

*Not included

Wait!

Missing parts or hardware? Need assistance?
Contact us before returning your item. We're here to help!
609.256.9000 • cs@modway.com

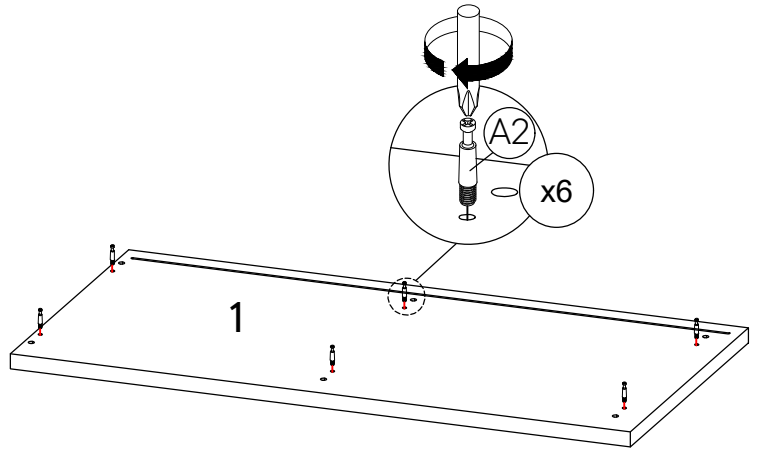
Step 1

HARDWARE

A2 Minifix Screw x6

COMPONENTS

1 Top Panel x1



Step 2

HARDWARE

A1 Cam Lock x6

A2 Minifix Screw x16

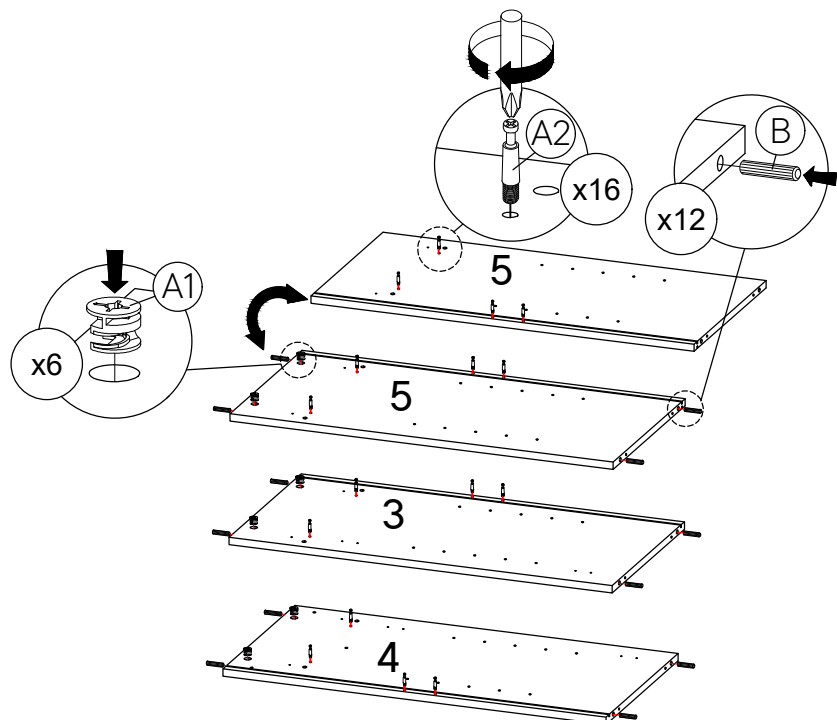
B Wood Dowel M8 x 30mm x12

COMPONENTS

3 Side Panel - L x1

4 Side Panel - R x1

5 Center Panel x1



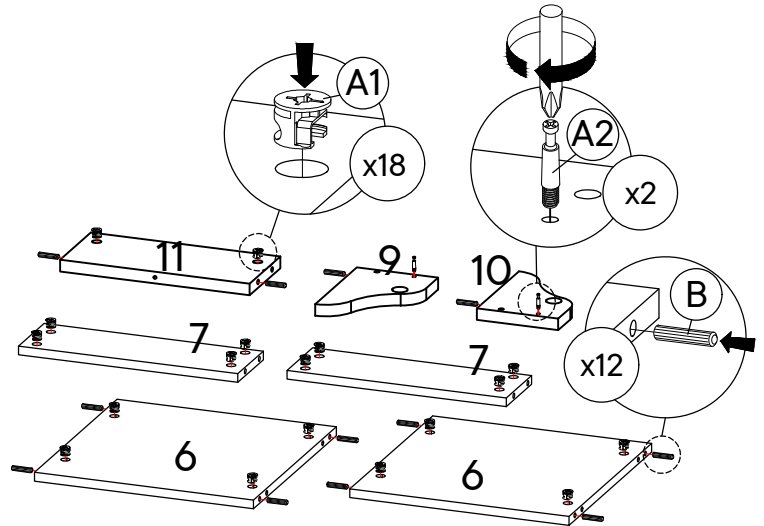
Step 3

HARDWARE

A1	Cam Lock	x18
A2	Minifix Screw	x2
B	Wood Dowel M8 x 30mm	x12

COMPONENTS

6	Middle Panel	x2
7	Body Support	x2
9	Spice Rack Side - L	x1
10	Spice Rack Side - R	x1
11	Spice Rack Bottom	x1



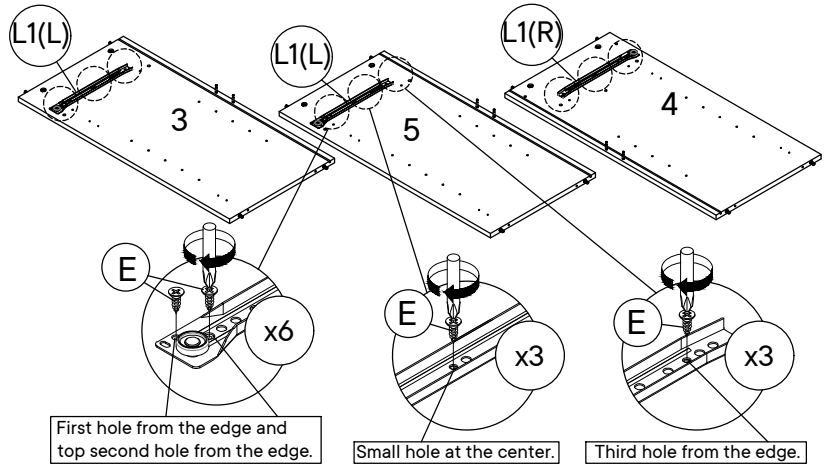
Step 4

HARDWARE

E	C.B Screw M3.5 x 16mm	x12
L1	12" Drawer Slide - L	x2
L1	12" Drawer Slide - R	x1

COMPONENTS

3	Side Panel - L	x1
4	Side Panel - R	x1
5	Center Panel	x1



Notes

L1		12" Drawer Slide - L
L1		12" Drawer Slide - R

Step 5

HARDWARE

E	C.B Screw M3.5 x 16mm	x4
L1	12" Drawer Slide - R	x1


COMPONENTS

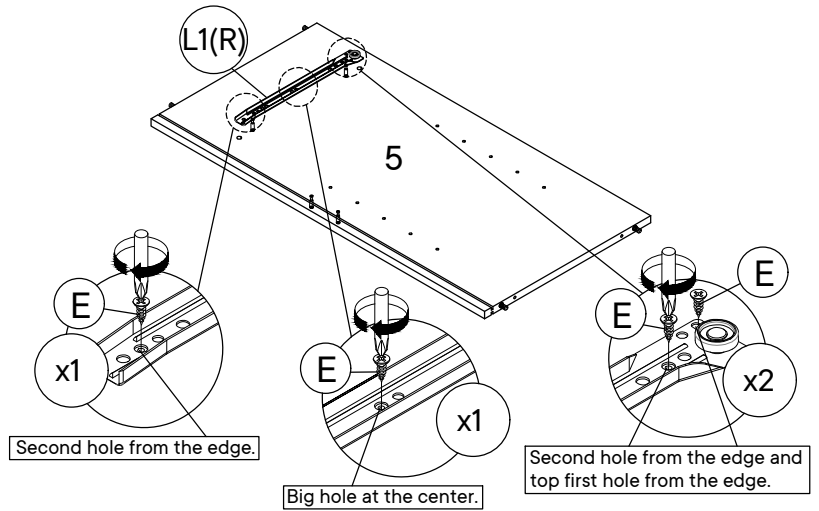
5	Center Panel	x1
----------	--------------	----

TOOLS

-	Screwdriver	x1
----------	-------------	----

Notes

L1		12" Drawer Slide - R
-----------	---	----------------------



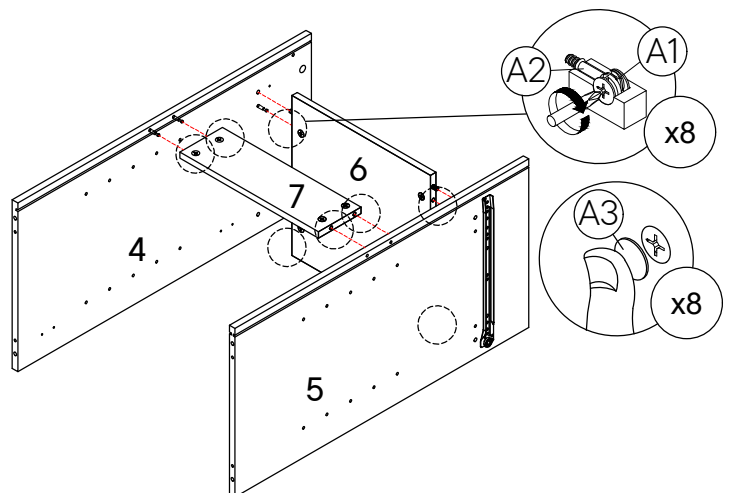
Step 6

HARDWARE

A3	Plastic Cap	x8
-----------	-------------	----

COMPONENTS

4	Side Panel - R	x1
5	Center Panel	x1
6	Middle Panel	x1
7	Body Support	x1



Step 7

HARDWARE

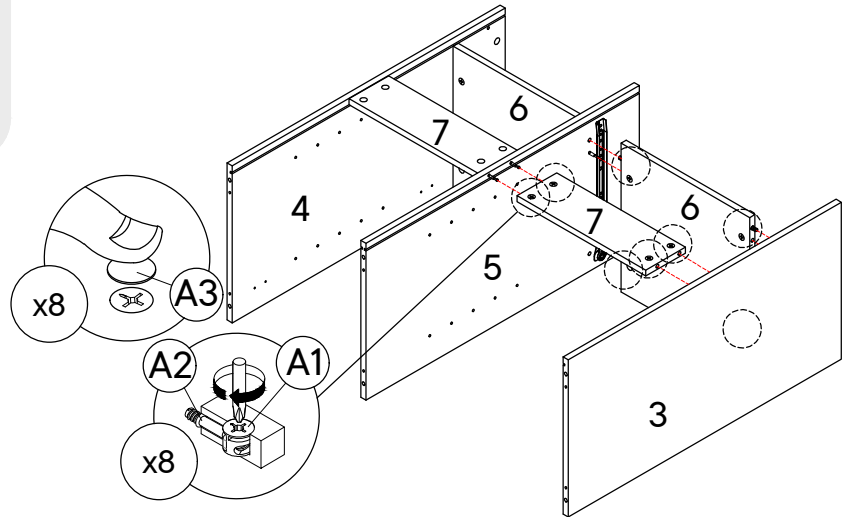
A3 Plastic Cap x8

COMPONENTS

3 Side Panel - L x1

6 Middle Panel x1

7 Body Support x1



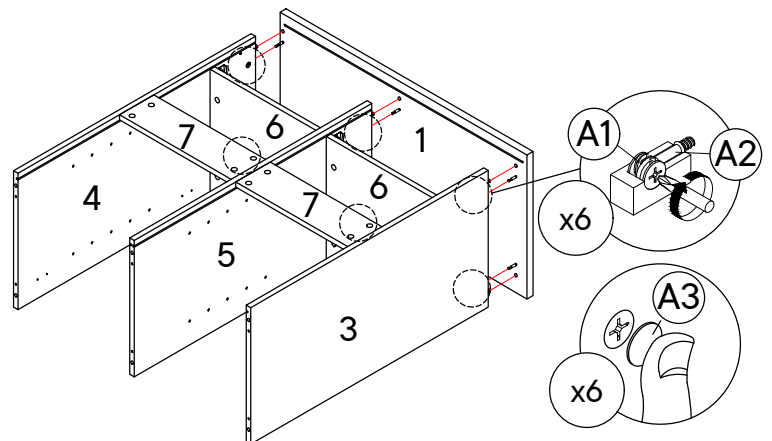
Step 8

HARDWARE

A3 Plastic Cap x6

COMPONENTS

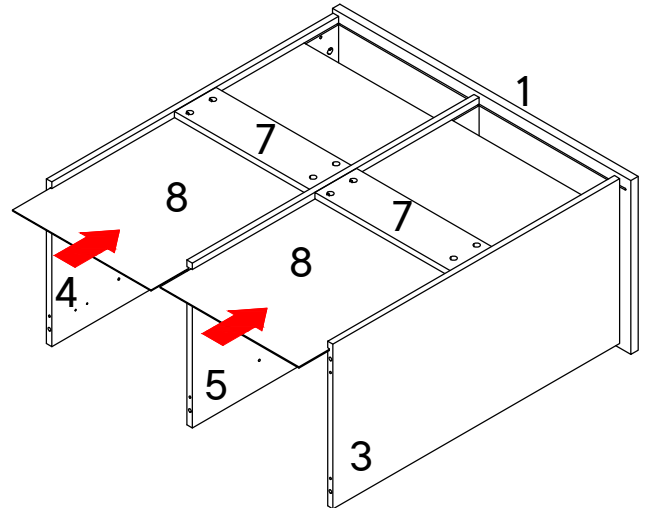
1 Top Panel x1



Step 9

COMPONENTS

8 Back Panel x2



Step 10

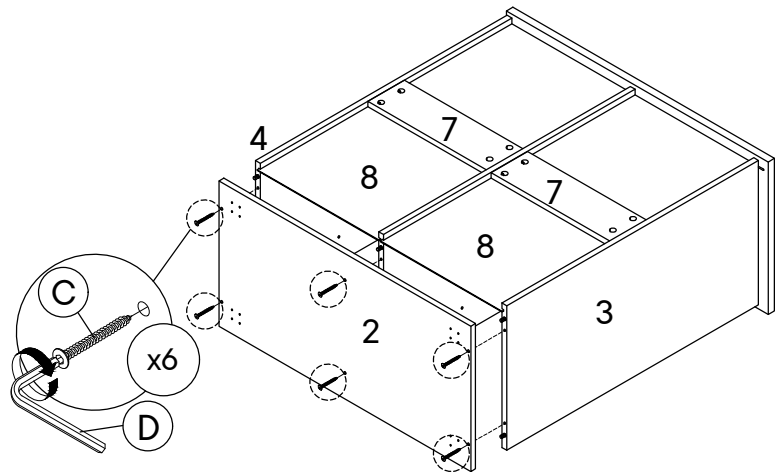
HARDWARE

C CSK Cap Wood Screw M6 x 50mm x6

D Allen Key M4 x1

COMPONENTS

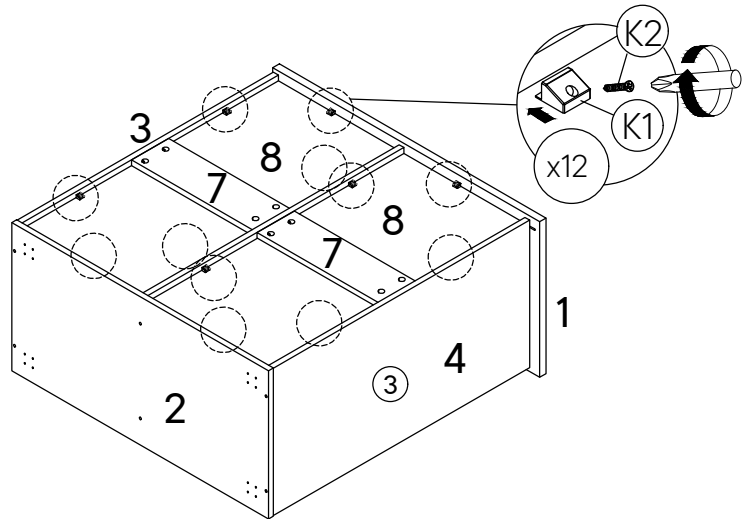
2 Bottom Panel x1



Step 11

HARDWARE

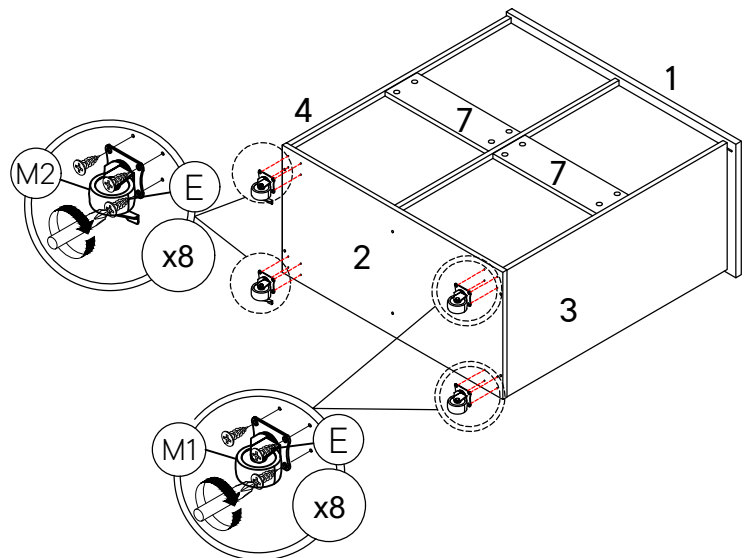
K1	Stud 192	x12
K2	Tapping Screw	x12



Step 12

HARDWARE

E	C.B Screw M3.5 x 16mm	x16
M1	Nylon Caster	x2
M2	Nylon Caster With Stopper	x2



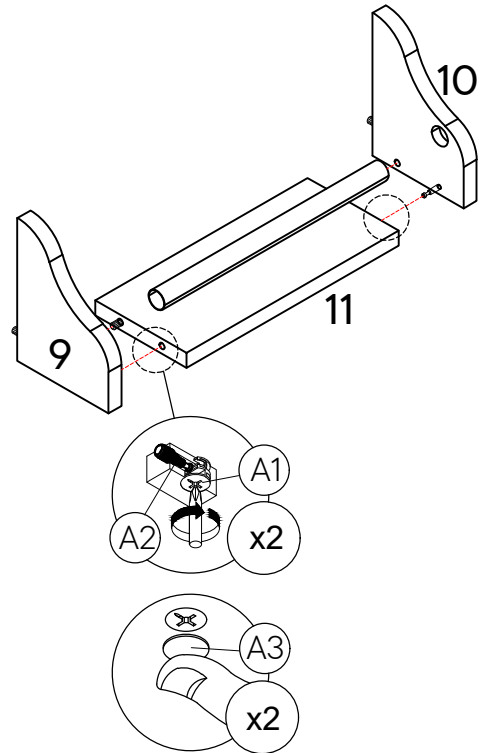
Step 13

HARDWARE

A3	Plastic Cap	x2
D	Allen Key M4	x1
N	Round Pipe	x1

COMPONENTS

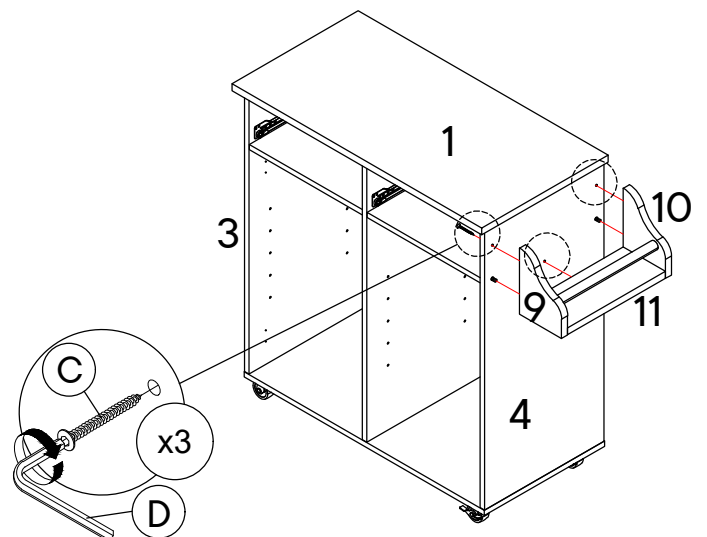
9	Spice Rack Side - L	x1
10	Spice Rack Side - R	x1
11	Spice Rack Bottom	x1



Step 14

HARDWARE

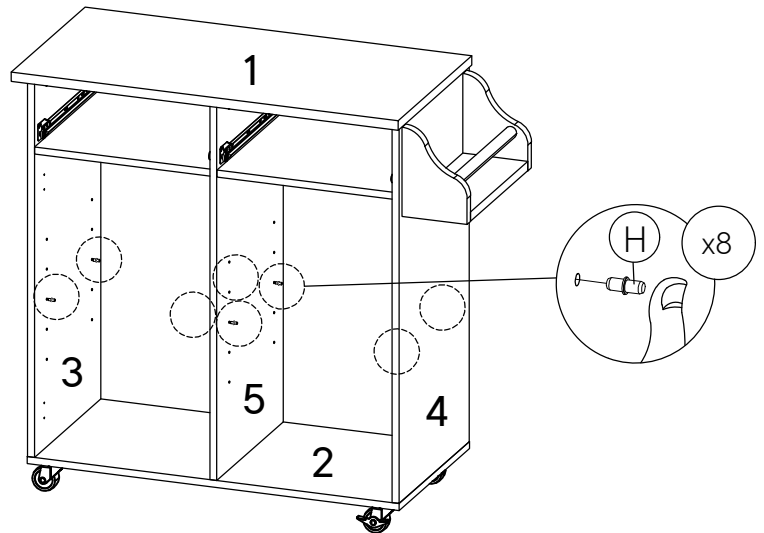
C	CSK Cap Wood Screw M6 x 50mm	x3
D	Allen Key M4	x1



Step 15

HARDWARE

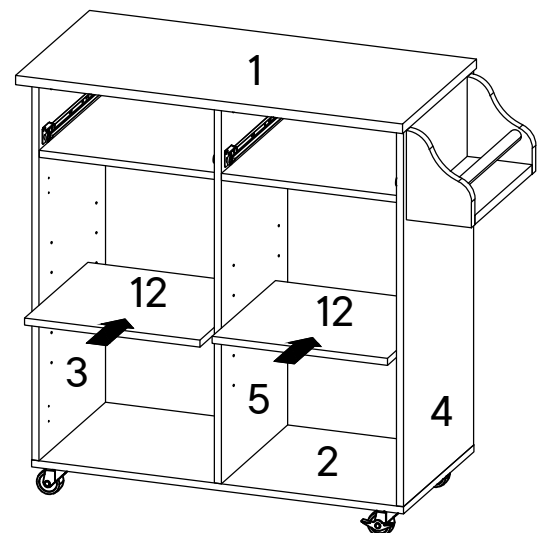
H Metal Shelf Support x8



Step 16

COMPONENTS

12 Shelf Panel x2



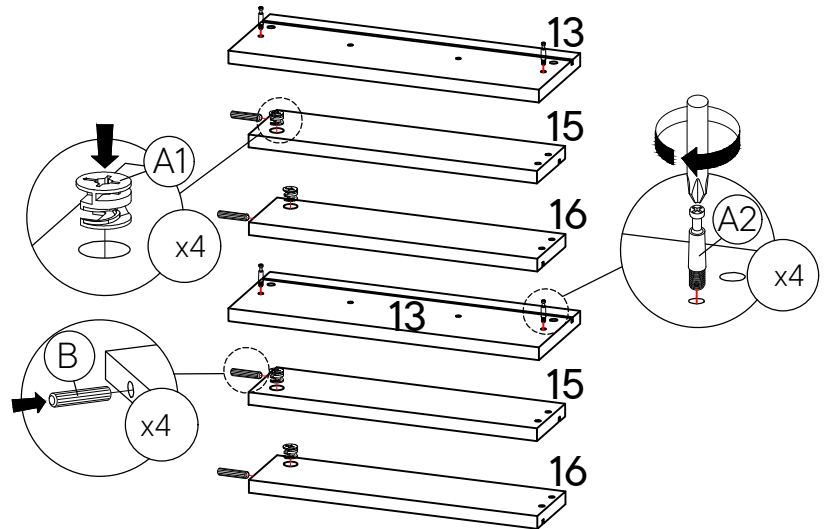
Step 17

HARDWARE

A1	Cam Lock	x4
A2	Minifix Screw	x4
B	Wood Dowel M8 x 30mm	x4

COMPONENTS

13	Drawer Front	x2
15	Drawer Side - L	x2
16	Drawer Side - R	x2



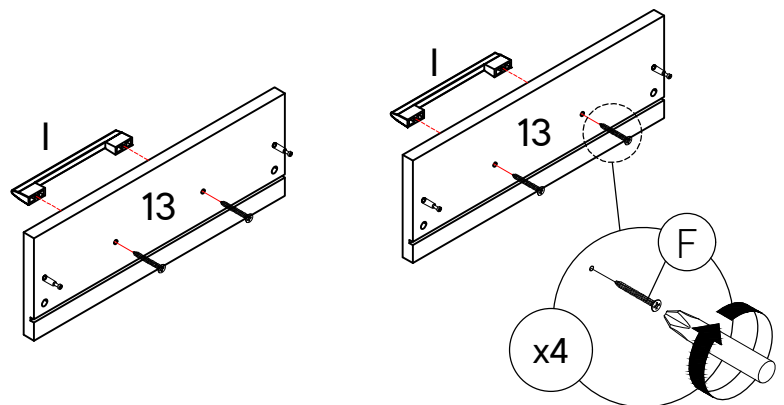
Step 18

HARDWARE

F	C.B Screw M4 x 25mm	x4
I	PVC Handle 00036	x2

COMPONENTS

13	Drawer Front	x2
-----------	--------------	----



Step 19

HARDWARE

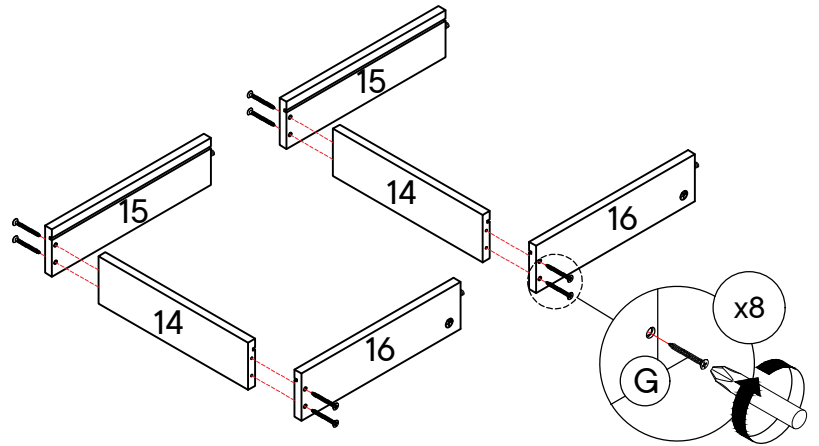
G C.B Screw M4 x 38mm x8

COMPONENTS

14 Drawer Back x2

15 Drawer Side - L x2

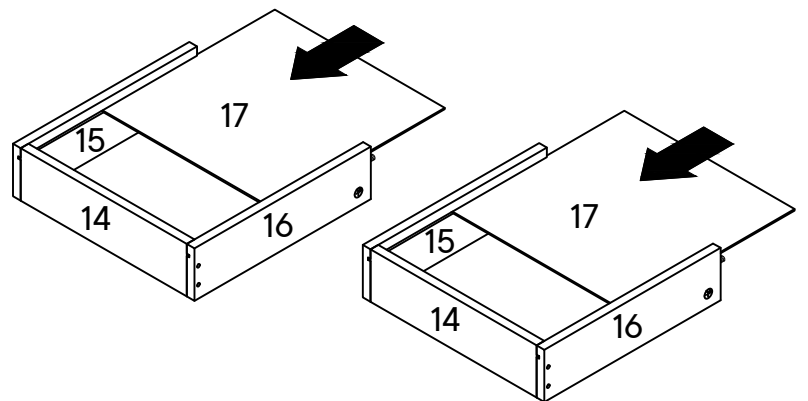
16 Drawer Side - R x2



Step 20

COMPONENTS

17 Drawer Bottom x2



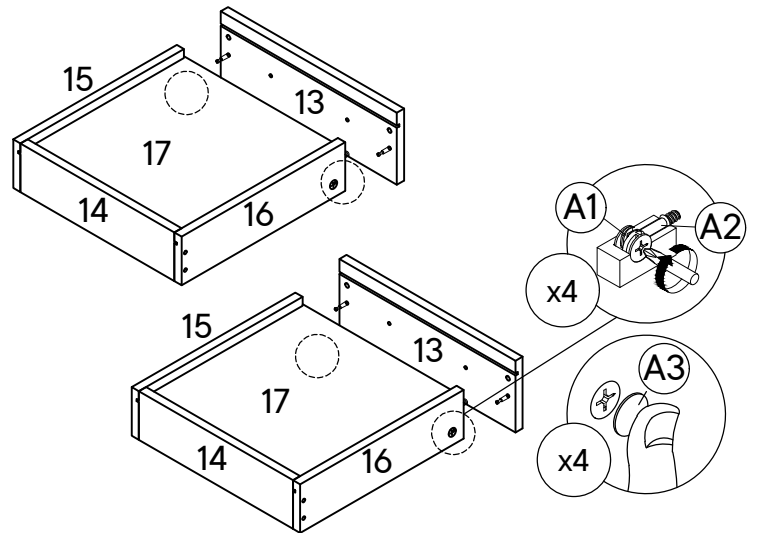
Step 21

HARDWARE

A3 Plastic Cap x4

COMPONENTS

13 Drawer Front x2



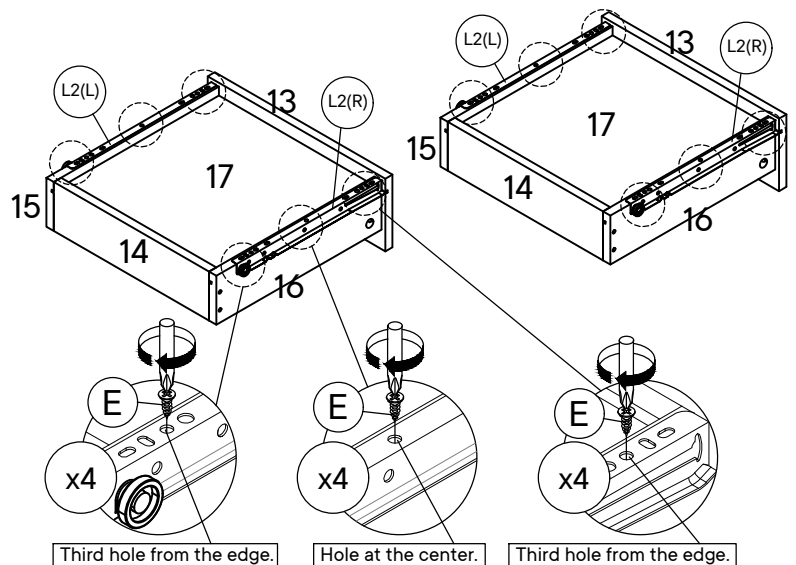
Step 22

HARDWARE

E C.B Screw M3.5 x 16mm x12

L2 12" Drawer Slide - L x2

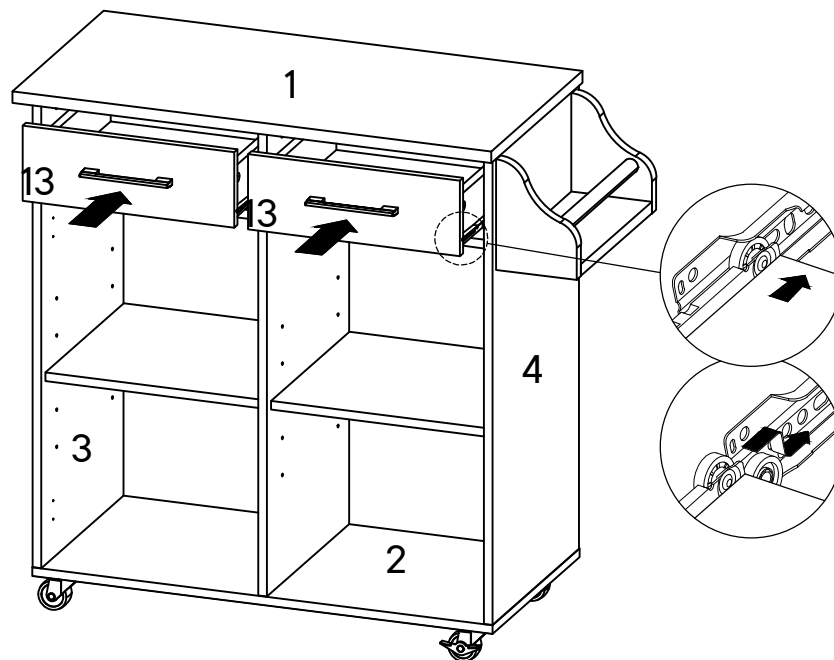
L2 12" Drawer Slide - R x2



Notes

L2		12" Drawer Slide - L
L2		12" Drawer Slide - R

Step 23



Put all the drawer in place along the drawer slides.

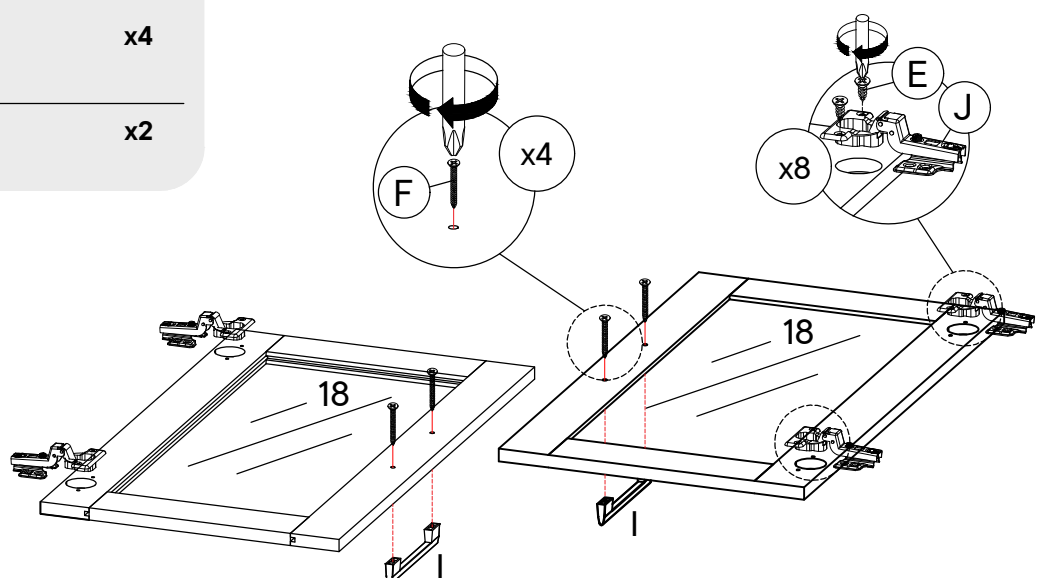
Step 24

HARDWARE

E	C.B Screw M3.5 x 16mm	x8
F	C.B Screw M4 x 25mm	x4
I	PVC Handle 00036	x2
J	Soft Closing 7/8 Hinges	x4

COMPONENTS

18	Door Panel	x2
-----------	------------	----



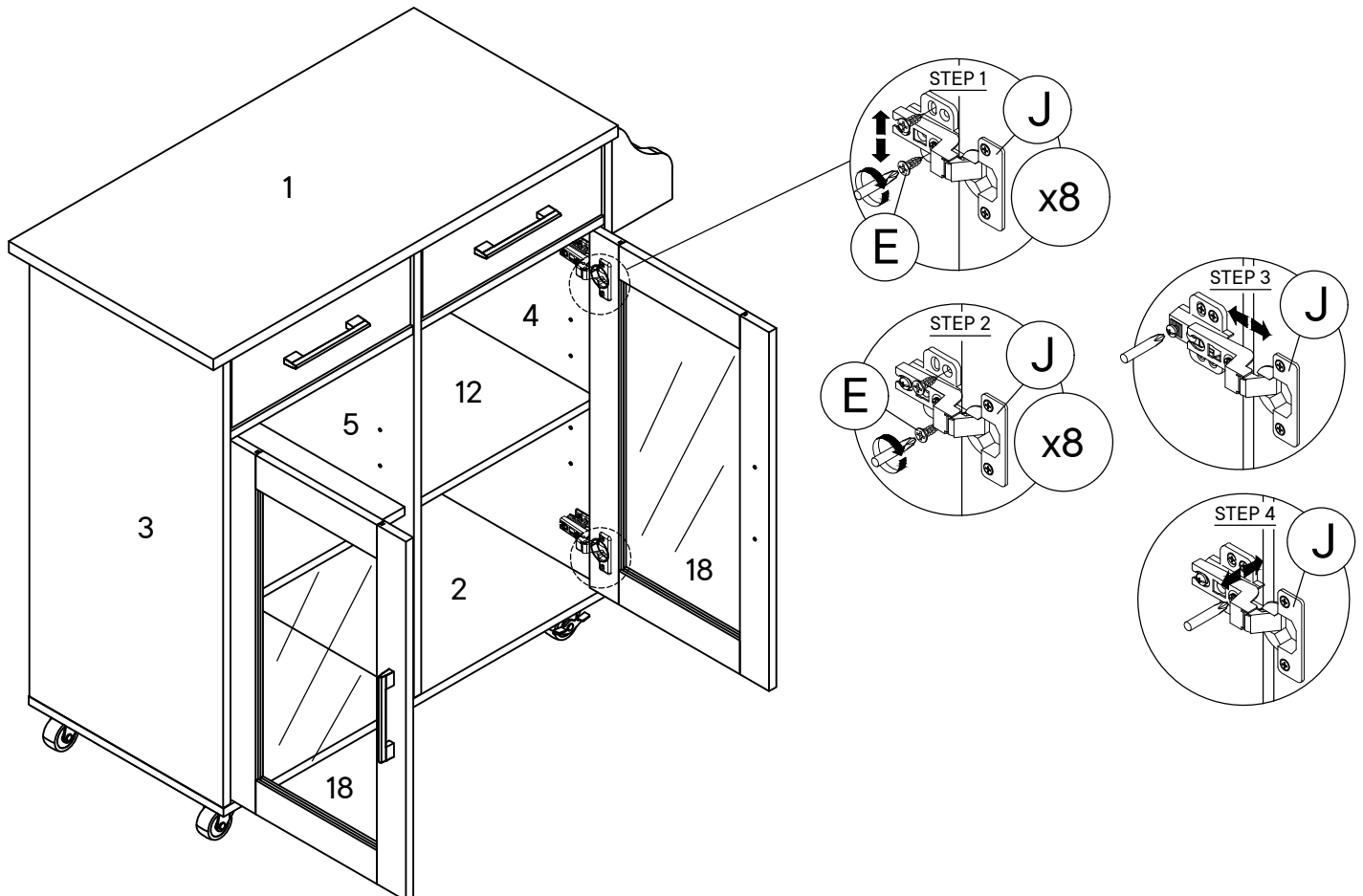
Step 25

HARDWARE

E C.B Screw M3.5 x 16mm **x16**

Fix hardware J into panel (4) by using hardware E.
(Repeat 4 times for each hardware.)

Tighten or loosen the screw to adjust
position of panel (18).
(Do only when needed.)



Great job!

Your new kitchen cart is ready.

♥ CARING FOR YOUR ITEM

Depending on use, it may be necessary to tighten the hardware from time to time, so please save the tools that have been provided.

Not contract grade.

Clean using a non-abrasive cloth and a mild cleaner.

CONNECT WITH US!

Tag us [@modway_furniture](#) and [#modway](#) for a chance to be featured.

