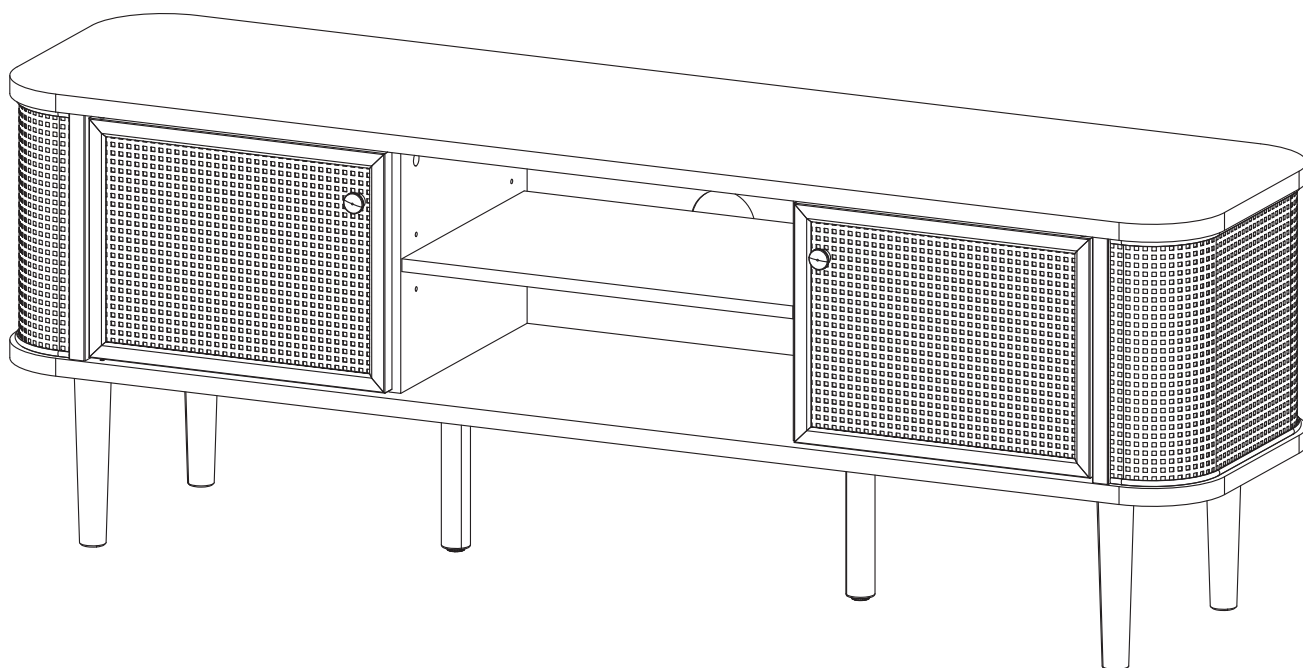


ASSEMBLY INSTRUCTIONS

EEI-6260

V0.01.30.23



Questions? Contact us!

609.256.9000 • cs@modway.com
www.modway.com

*modway

Let's get started!

*modway



Read through all of the instructions before starting



Care instructions are listed in the last step of this manual



Approx. 60 minutes assembly time



Make sure you have all parts and components before discarding any packing materials



2 people recommended for assembly

Only use hand tools to assemble this item. Do not use power tools. Do not tighten bolts or screws completely until all hardware is lined up and inserted into the holes.

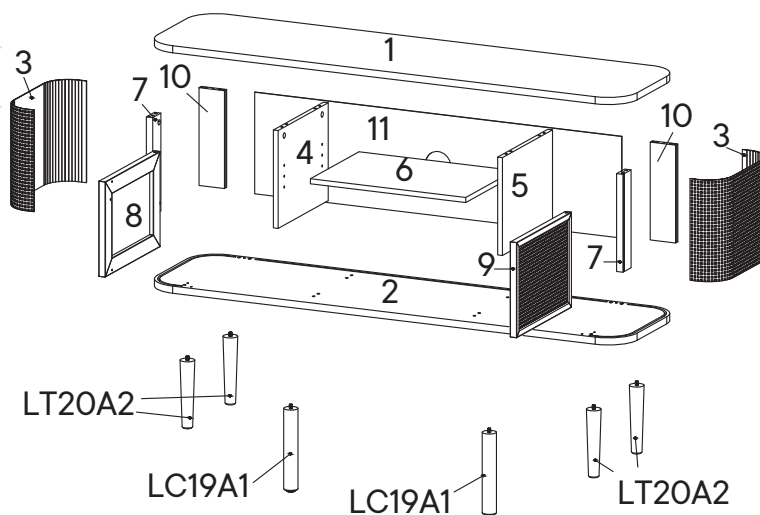
Do not over-tighten screws and bolts to avoid stripping the hardware or cracking the item.

Assemble your item on a flat, carpeted area, with plenty of space to work. This will prevent damage and scratches to your floors or the item while you're assembling the product.

Keep all components and packaging out of reach of children or animals to avoid risk of choking or suffocation.

Furniture components:

1	Top Board	x1	11	Back Board 2	x1
2	Bottom Board	x1	LT20A2	Leg	x4
3	Side Board Rattan	x2	LC19A1	Center Leg	x2
4	Center Board Left	x1			
5	Center Board Right	x1			
6	Adjustable Shelf	x1			
7	Support Board	x2			
8	Frame Door Left	x1			
9	Frame Door Right	x1			
10	Back Board 1	x2			



Provided hardware:

A		Cam Bolt Ø6 x 35 mm	x12	J		Screw Cap Ø15 mm	x4	S		Handle	x2
B		Cam Lock Ø15 mm	x12	K		Magnet	x2	PM2		Mounting Plate	x6
C		Wood Dowel Ø8 x 30 mm	x20	L		Screw M 3.5 x 13 mm	x4				
D		Screw M 7 x 50 mm	x4	M		Pin Per Top	x2				
E		Allen Key	x2	N		Pin Bottom	x2				
F		Screw M 4 x 22 mm	x2	O		Wedge	x8				
G		Shelf Pin	x4	P		Screw M 3.5 x 15.5 mm	x8				
H		Screw M 4.5 x 12.5 mm	x24	Q		Screw M 12 x 10 mm	x2				
I		Screw Cap Ø15 mm	x4	R		Rubber	x2				

What you need:

Phillips Head Screwdriver

Wait!

Missing parts or hardware? Need assistance?
Contact us before returning your item. We're here to help!
609.256.9000 • cs@modway.com

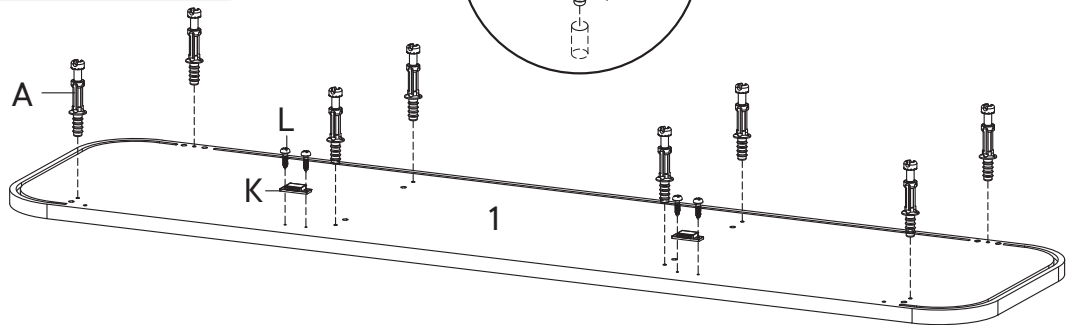
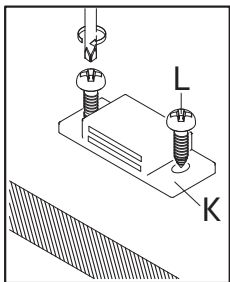
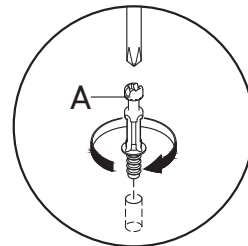
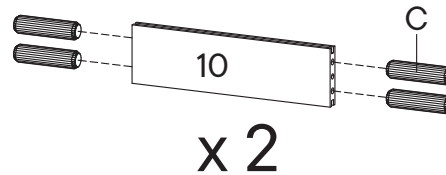
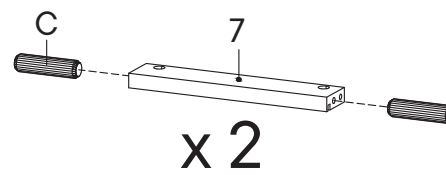
Step 1

HARDWARE

A	Cam Bolt Ø6 x 35 mm	x8
C	Wood Dowel Ø8 x 30 mm	x12
K	Magnet	x2
L	Screw M 3.5 x 13 mm	x4

COMPONENTS

1	Top Board	x1
7	Support Board	x2
10	Back Board 1	x2



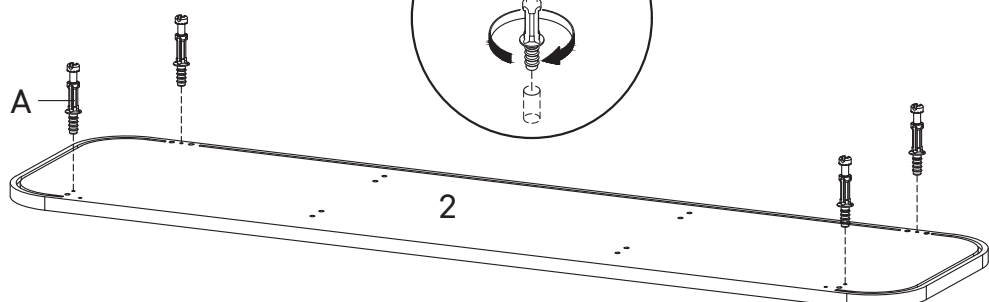
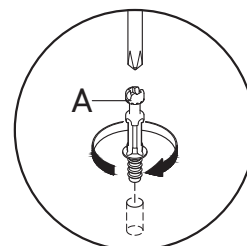
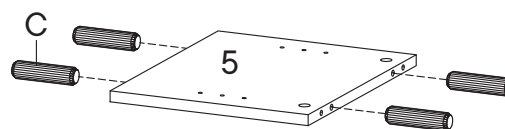
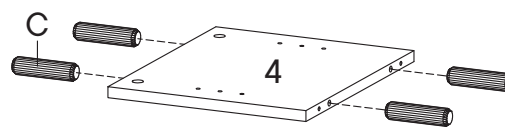
Step 2

HARDWARE

A	Cam Bolt Ø6 x 35 mm	x4
C	Wood Dowel Ø8 x 30 mm	x8

COMPONENTS

2	Bottom Board	x1
4	Center Board Left	x1
5	Center Board Right	x1



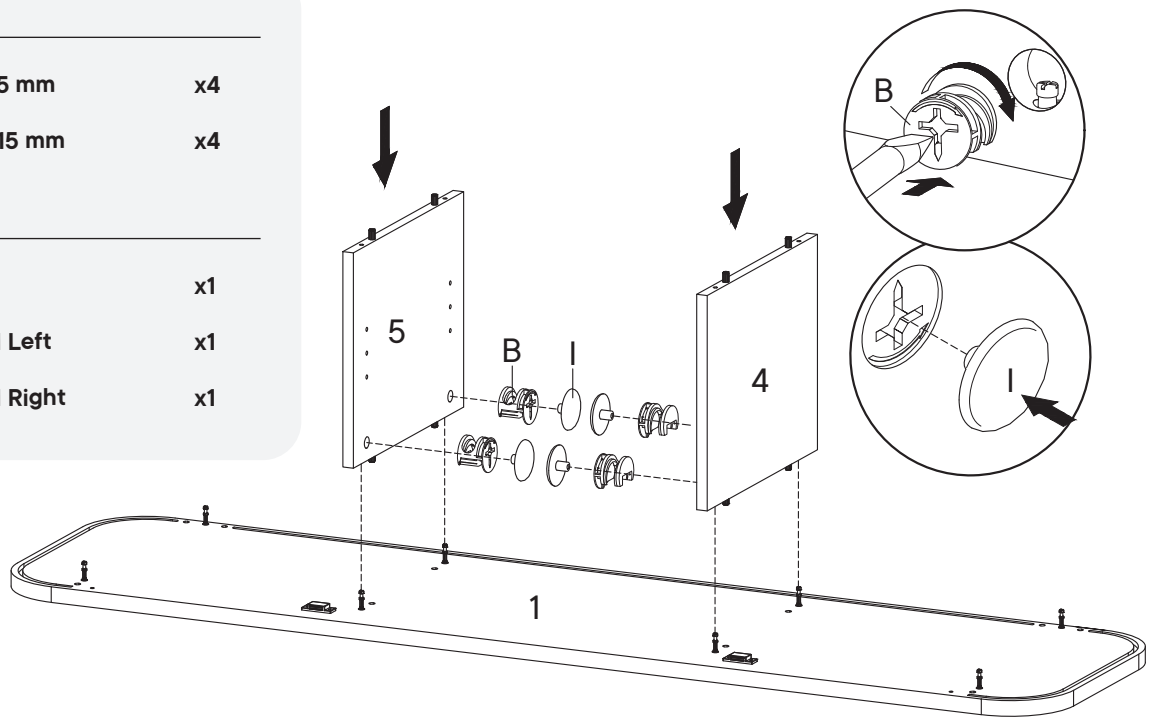
Step 3

HARDWARE

- B** Cam Lock Ø15 mm x4
- I** Screw Cap Ø15 mm x4

COMPONENTS

- 1** Top Board x1
- 4** Center Board Left x1
- 5** Center Board Right x1



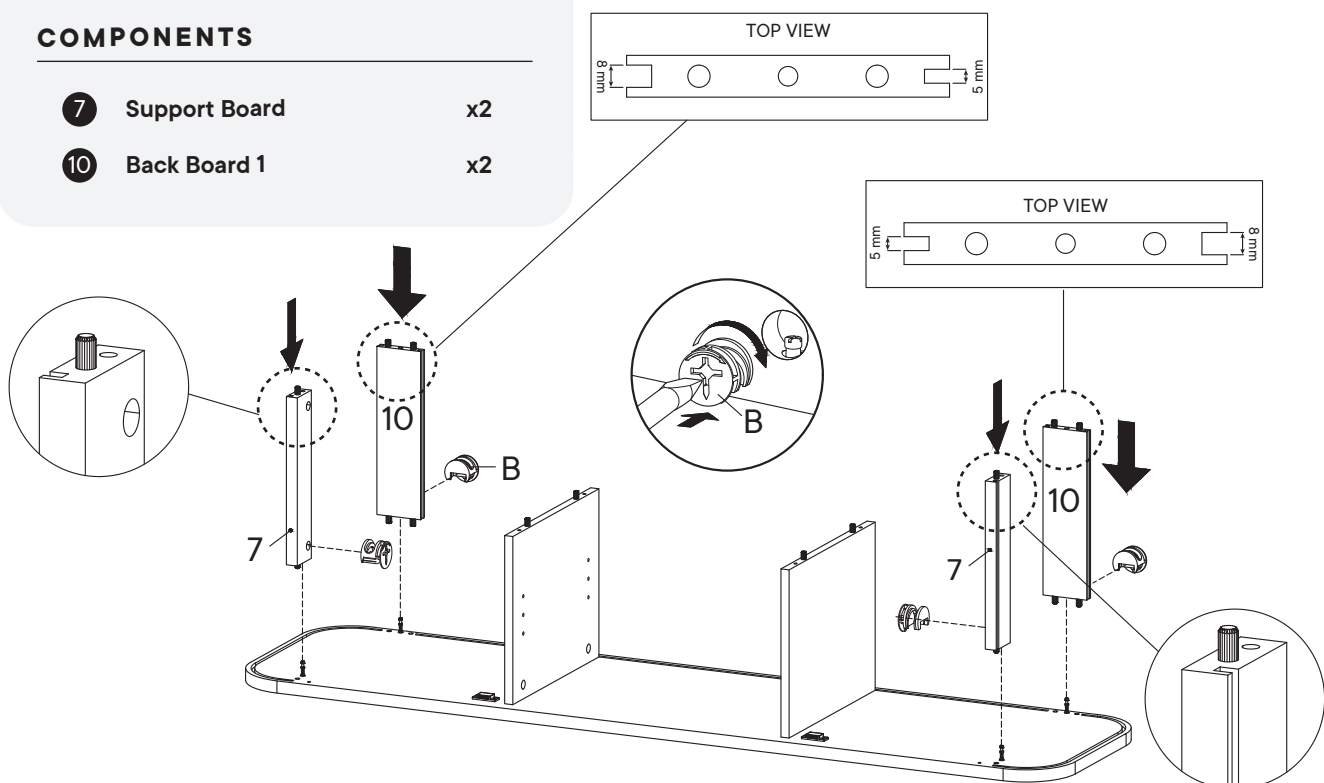
Step 4

HARDWARE

- B** Cam Lock Ø15 mm x4

COMPONENTS

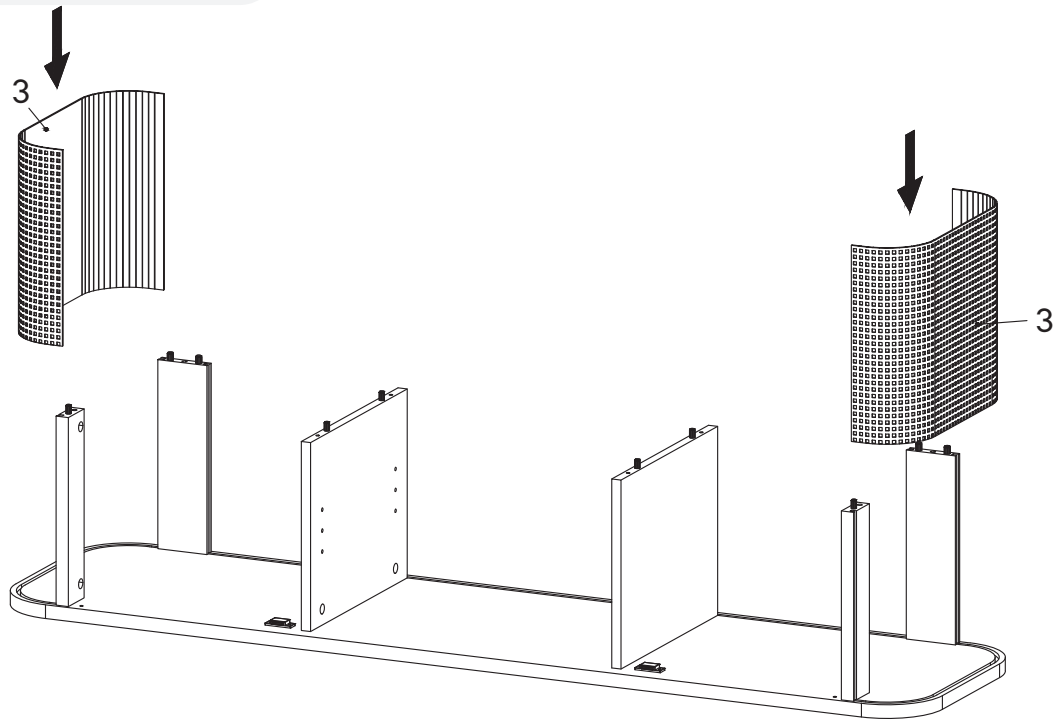
- 7** Support Board x2
- 10** Back Board 1 x2



Step 5

COMPONENTS

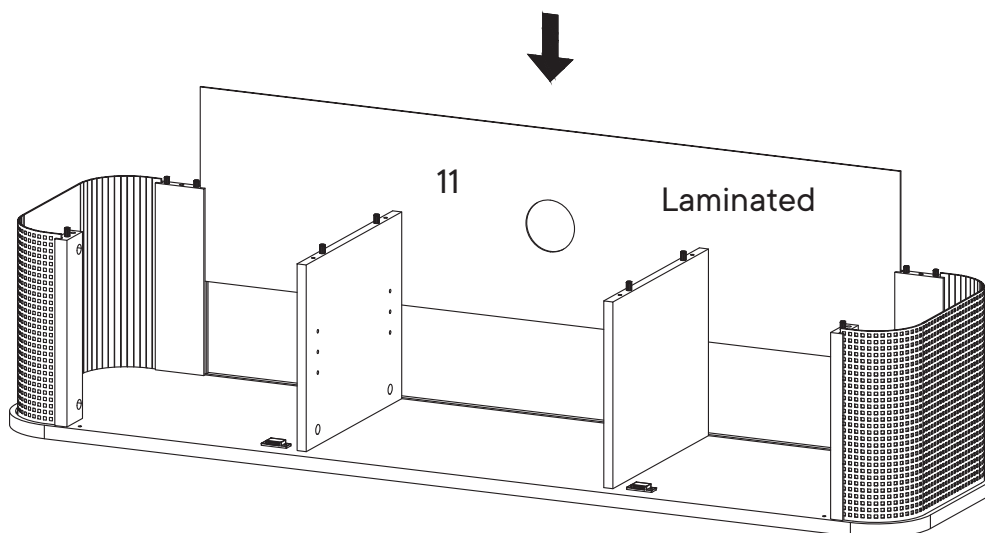
- 3 Side Board Rattan x2



Step 6

COMPONENTS

- 11 Back Board 2 x1



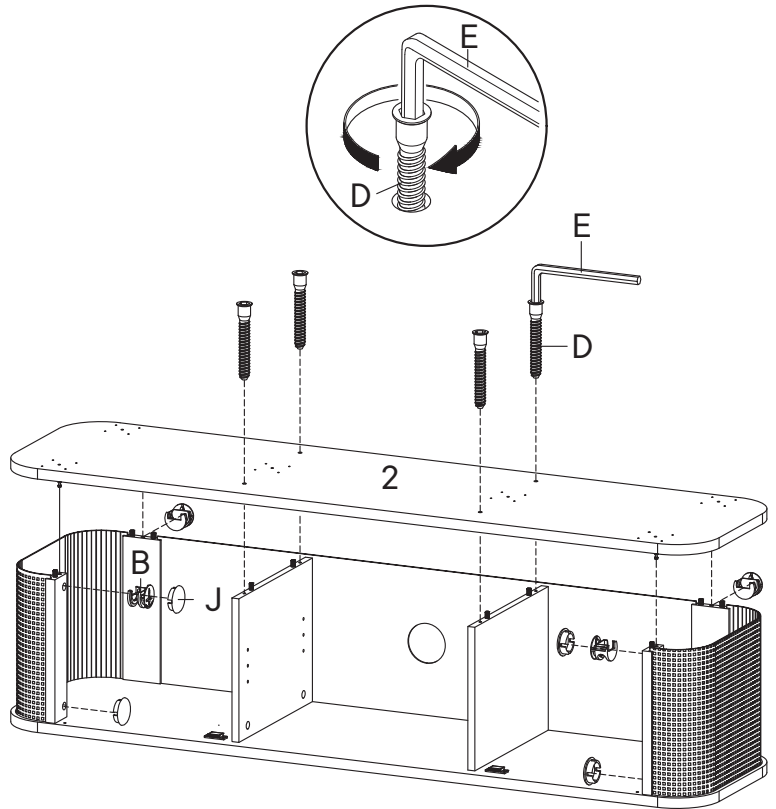
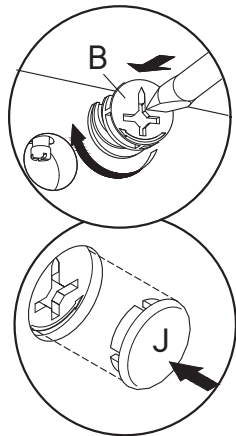
Step 7

HARDWARE

- B** Cam Lock Ø15 mm x4
- D** Screw M 7 x 50 mm x4
- E** Allen Key x1
- J** Screw Cap Ø15 mm x4

COMPONENTS

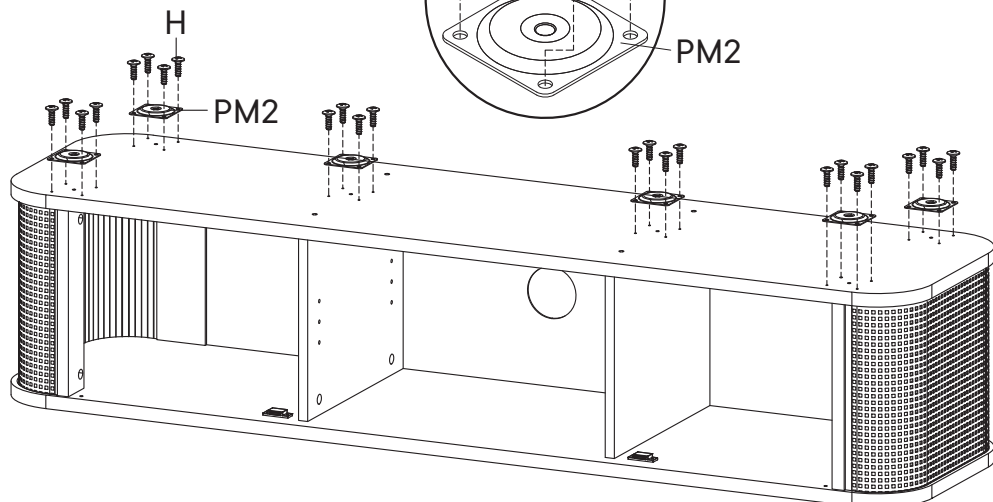
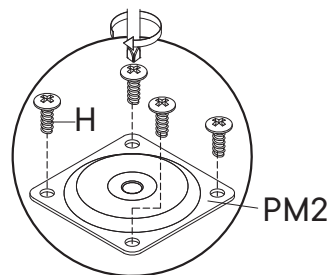
- 2** Bottom Board x1



Step 8

HARDWARE

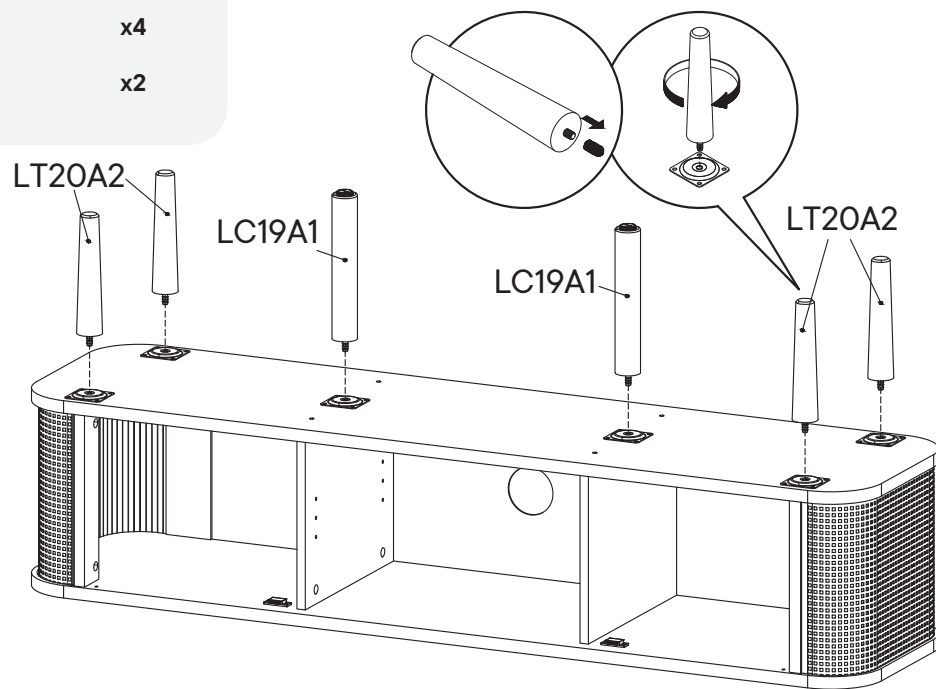
- H** Screw M 4.5 x 12.5 mm x24
- PM2** Mounting Plate x6



Step 9

COMPONENTS

- LT20A2** Leg x4
- LC19A1** Center Leg x2



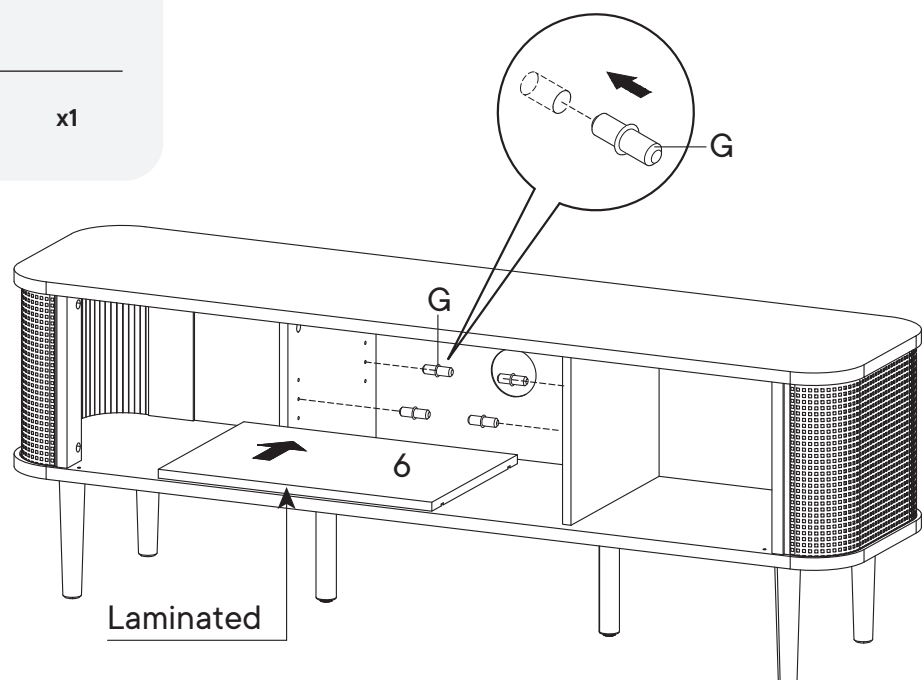
Step 10

HARDWARE

- G** Shelf Pin x4

COMPONENTS

- 6** Adjustable Shelf x1



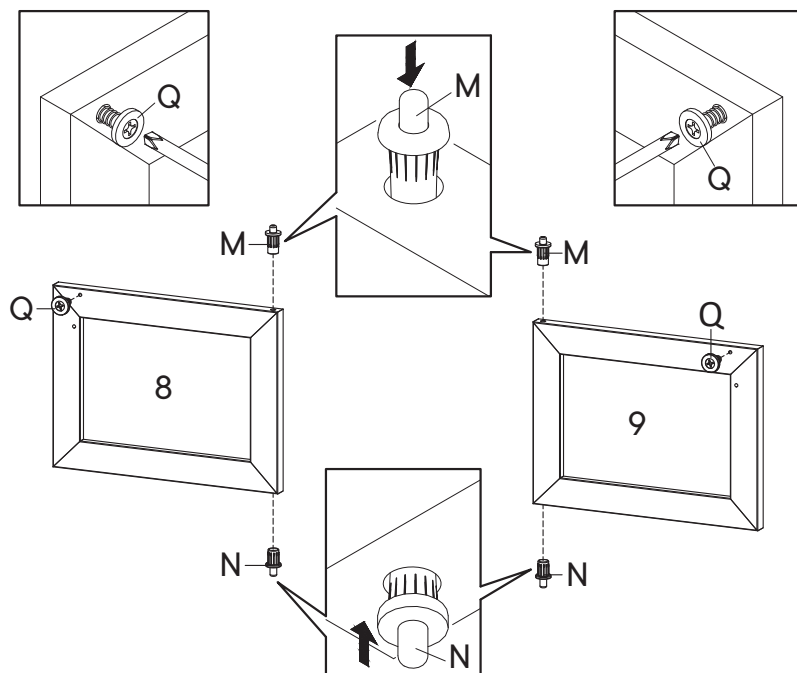
Step 11

HARDWARE

- M** Pin Per Top x2
- N** Pin Bottom x2
- Q** Screw M 12 x 10 mm x2

COMPONENTS

- 8** Frame Door Left x1
- 9** Frame Door Right x1



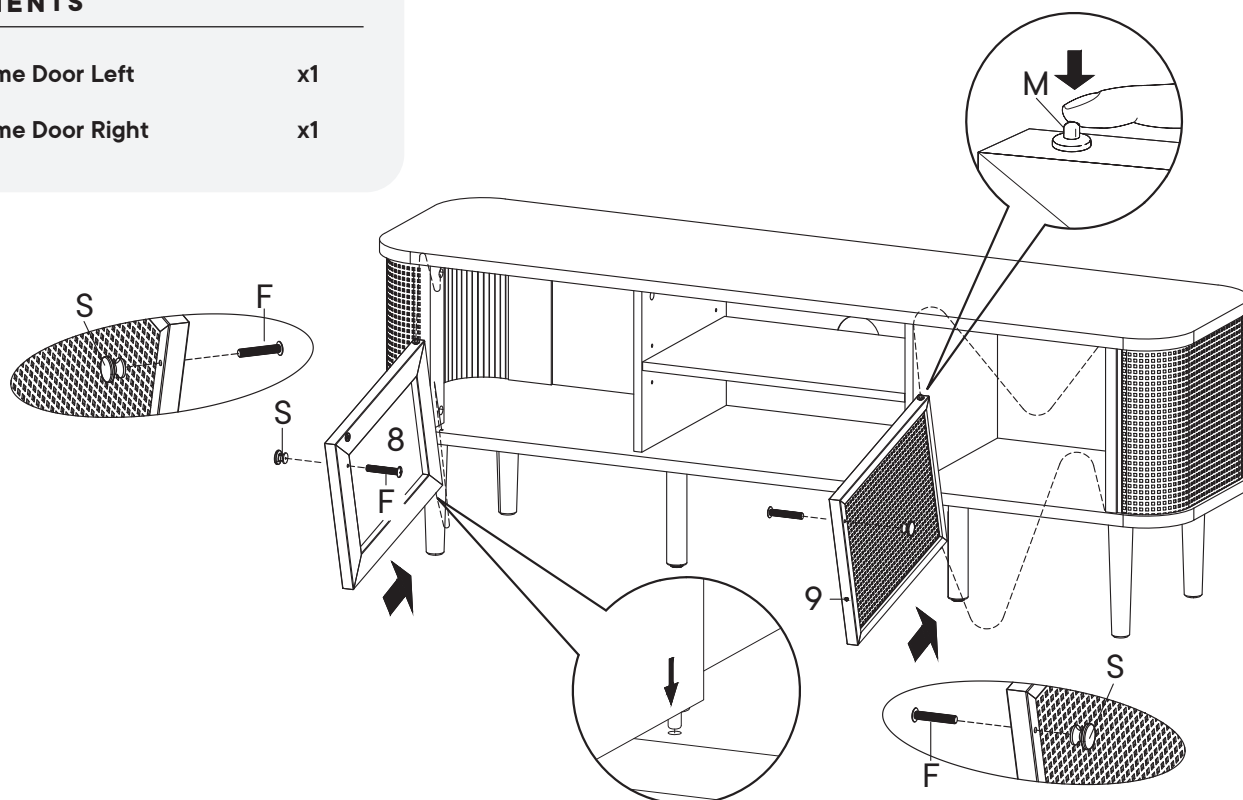
Step 12

HARDWARE

- F** Screw M 4 x 22 mm x2
- S** Handle x2

COMPONENTS

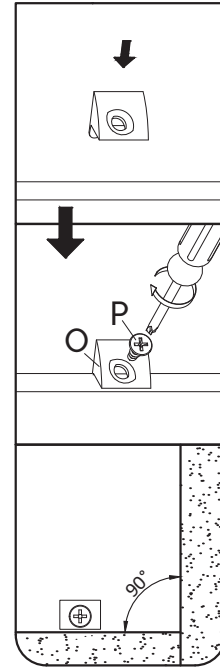
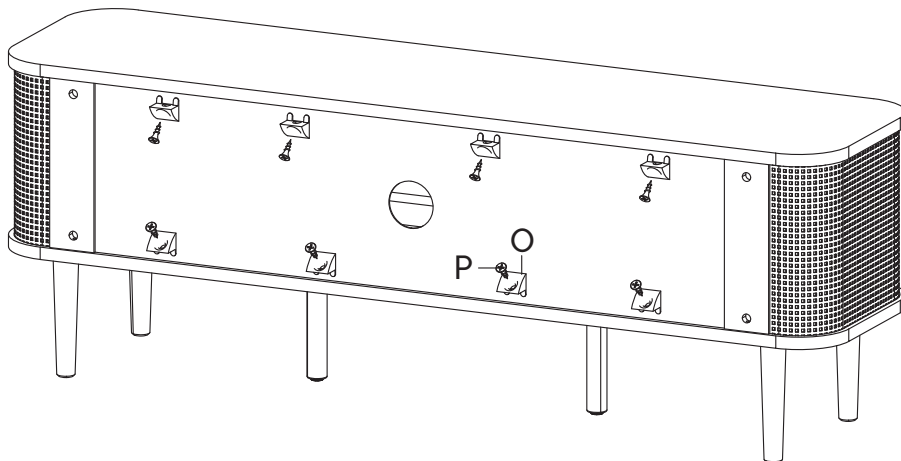
- 8** Frame Door Left x1
- 9** Frame Door Right x1



Step 13

HARDWARE

- O** Wedge x8
- P** Screw M 3.5 x 15.5 mm x8

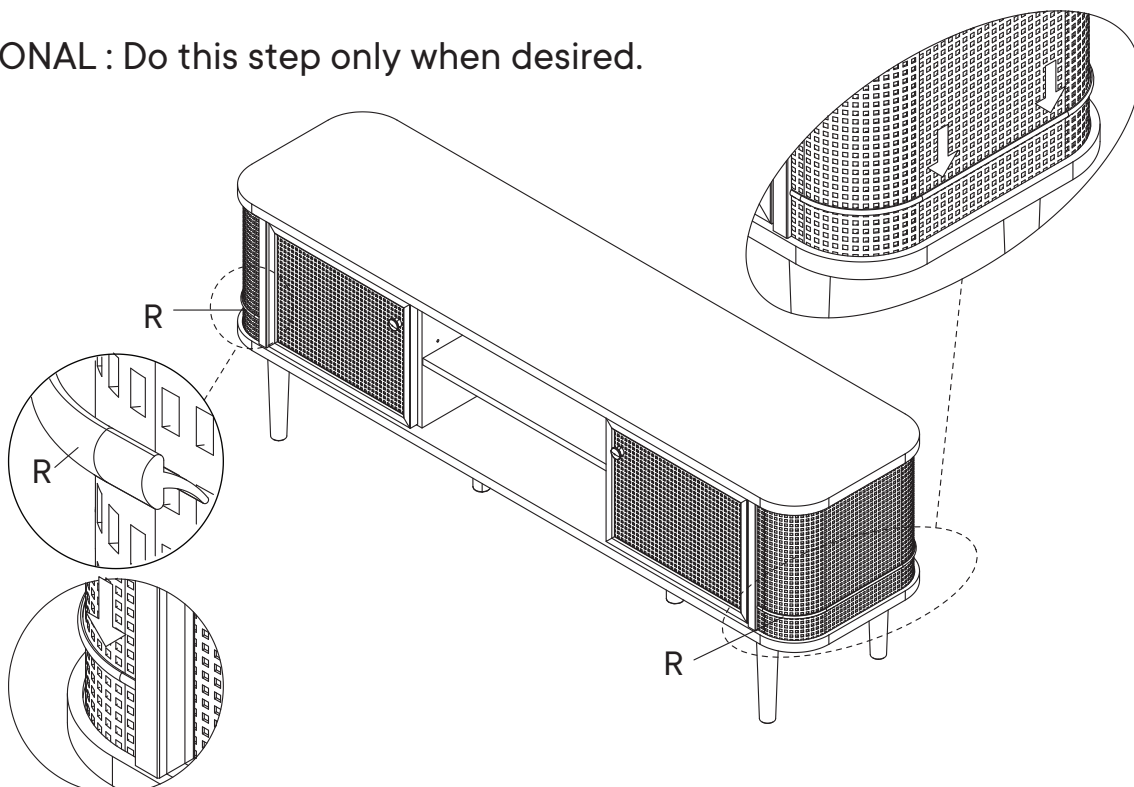


Step 14

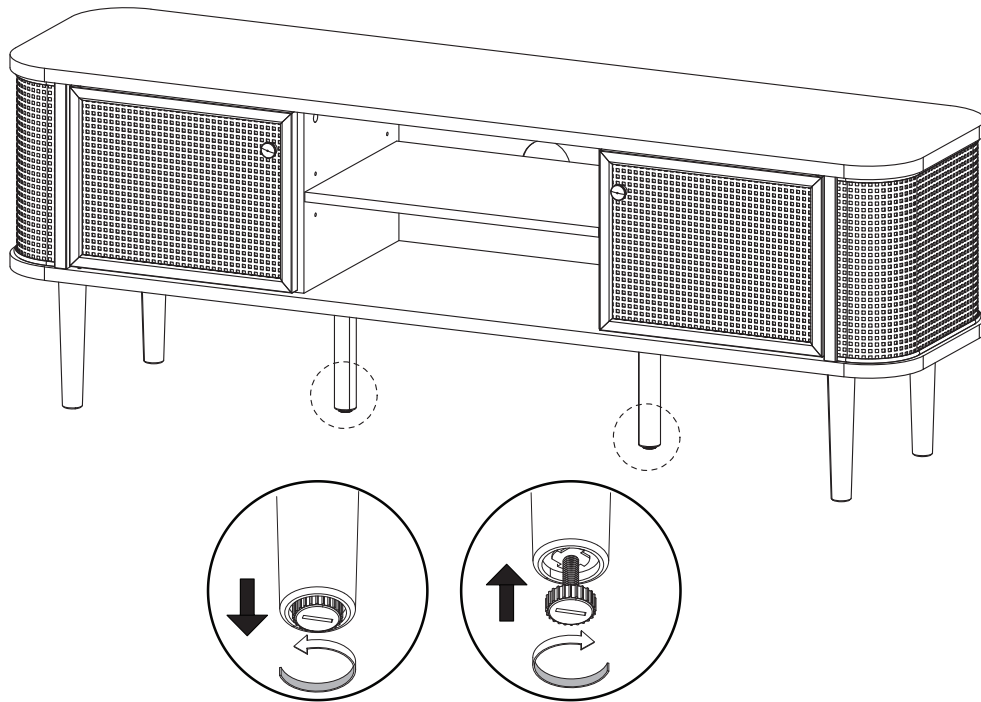
HARDWARE

- R** Rubber x2

OPTIONAL : Do this step only when desired.



Step 15



Great job!

Tv Stand assembly is complete.

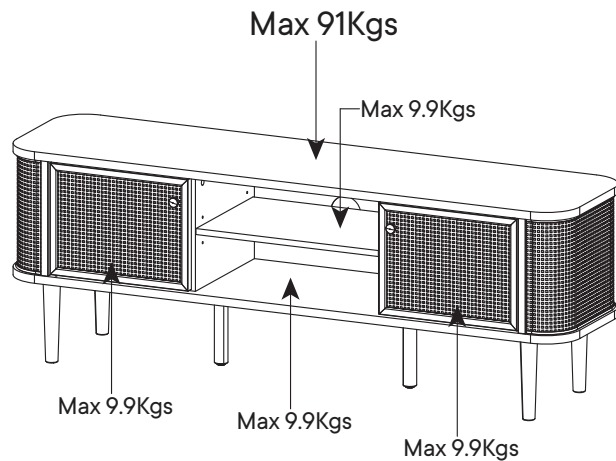
♥ CARING FOR YOUR ITEM

Indoor use only.

Not contract grade.

Clean using a non-abrasive cloth and a mild cleaner.

Never use harsh chemicals, as they could damage the finish or integrity of the item.



CONNECT WITH US!   

Tag us @modway_furniture and #modway for a chance to be featured.