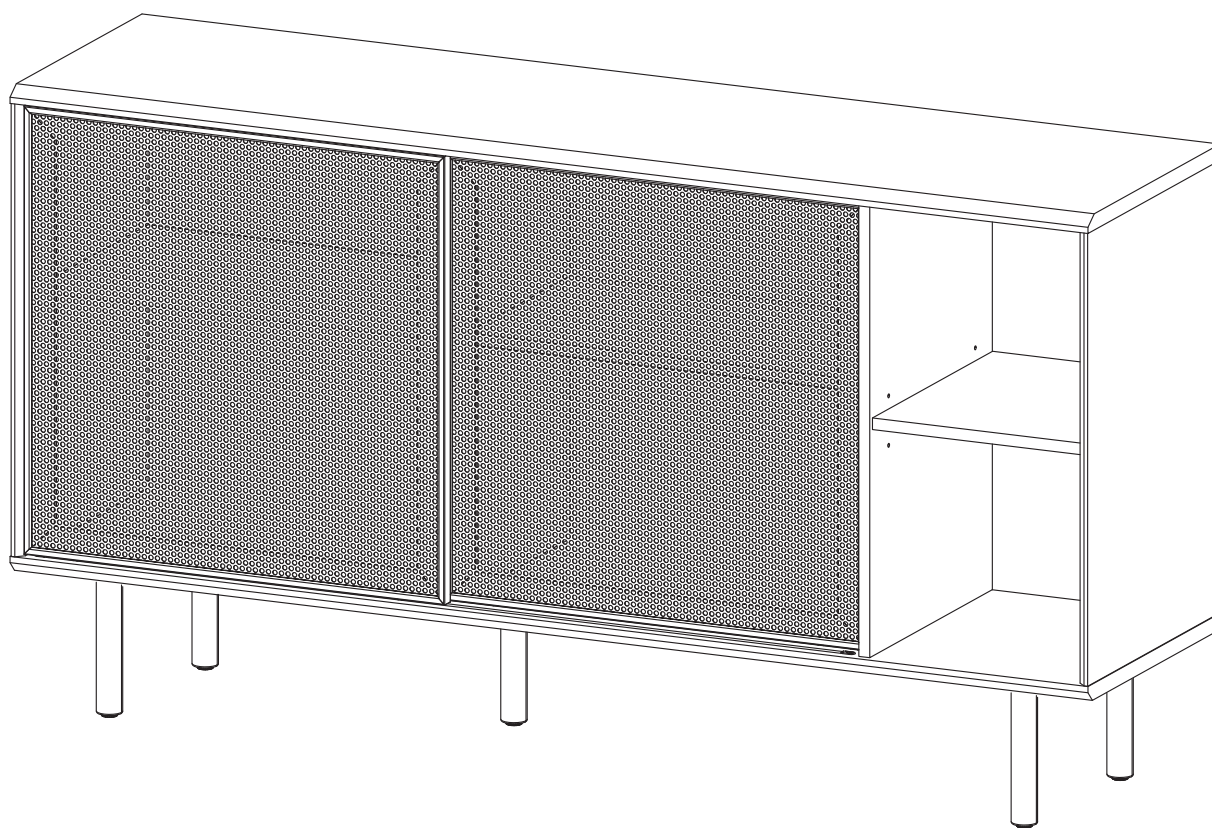


ASSEMBLY INSTRUCTIONS

EEI-6235

V0.01.26.23



Questions? Contact us!

609.256.9000 • cs@modway.com
www.modway.com

*modway

Let's get started!

*modway



Read through all of the instructions before starting



Care instructions are listed in the last step of this manual



Approx. 60 minutes assembly time



Make sure you have all parts and components before discarding any packing materials



2 people recommended for assembly

Only use hand tools to assemble this item. Do not use power tools. Do not tighten bolts or screws completely until all hardware is lined up and inserted into the holes.

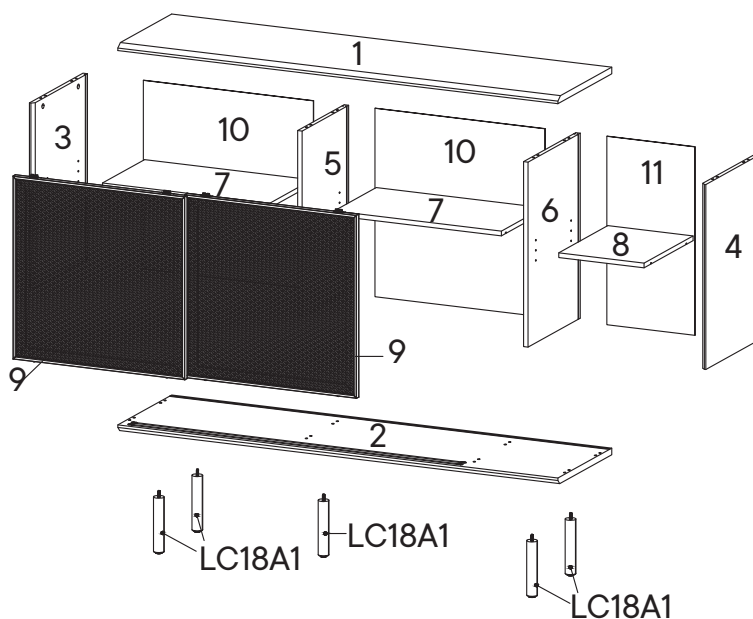
Do not over-tighten screws and bolts to avoid stripping the hardware or cracking the item.

Assemble your item on a flat, carpeted area, with plenty of space to work. This will prevent damage and scratches to your floors or the item while you're assembling the product.

Keep all components and packaging out of reach of children or animals to avoid risk of choking or suffocation.

Furniture components:

1	Top Board	x1	11	Back Board 2	x1
2	Bottom Board	x1	LC18A1	Leg	x5
3	Side Board Left	x1			
4	Side Board Right	x1			
5	Center Board Left	x1			
6	Center Board Right	x1			
7	Adjustable Shelf 1	x2			
8	Adjustable Shelf 2	x1			
9	Frame Door	x2			
10	Back Board 1	x2			



Provided hardware:

A		Cam Bolt $\varnothing 6 \times 35$ mm	x8
B		Cam Lock $\varnothing 15$ mm	x8
C		Wood Dowel $\varnothing 8 \times 30$ mm	x16
D		Screw M 7 x 50 mm	x8
E		Screw M 3.5 x 13 mm	x16
F		Screw Cap $\varnothing 15$ mm	x8
G		Allen Key	x2
H		Wedge	x32
I		Screw M 3.5 x 15.5 mm	x32

J		Shelf Pin	x12
K		Silicon Bumper	x4
L		Screw M 4.5 x 12.5 mm	x20
M		Sliding Top	x4
N		Sliding Bottom	x4
PM2		Mounting Plate	x5

What you need:

Phillips Head Screwdriver

Wait!

Missing parts or hardware? Need assistance?
Contact us before returning your item. We're here to help!
609.256.9000 • cs@modway.com

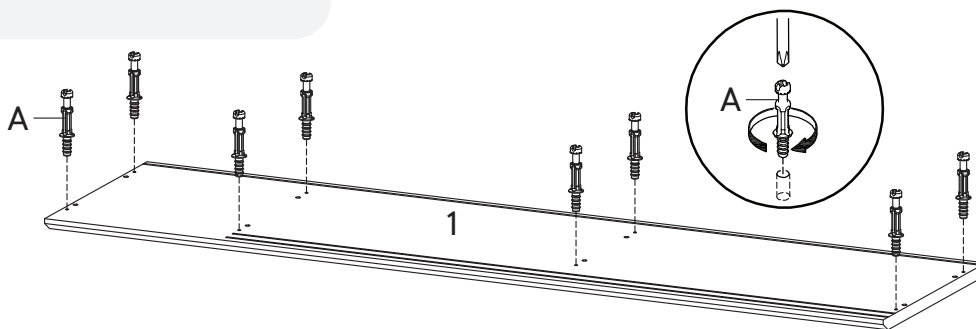
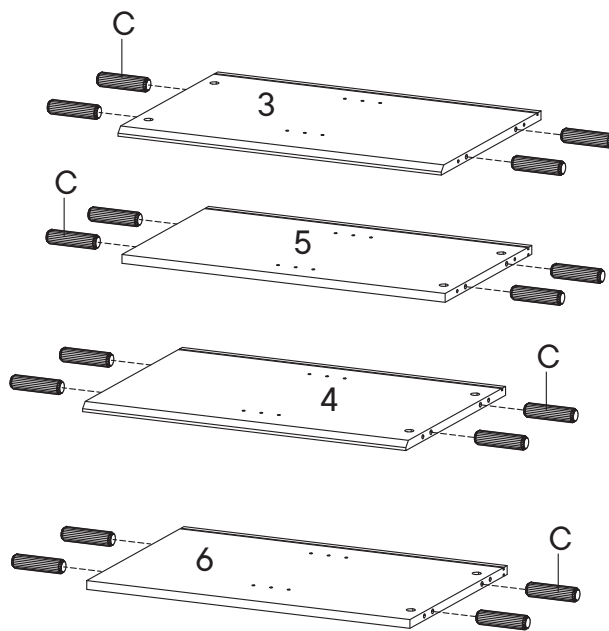
Step 1

HARDWARE

- A** Cam Bolt $\varnothing 6 \times 35$ mm x8
- C** Wood Dowel $\varnothing 8 \times 30$ mm x16

COMPONENTS

- 1** Top Board x1
- 3** Side Board Left x1
- 4** Side Board Right x1
- 5** Center Board Left x1
- 6** Center Board Right x1



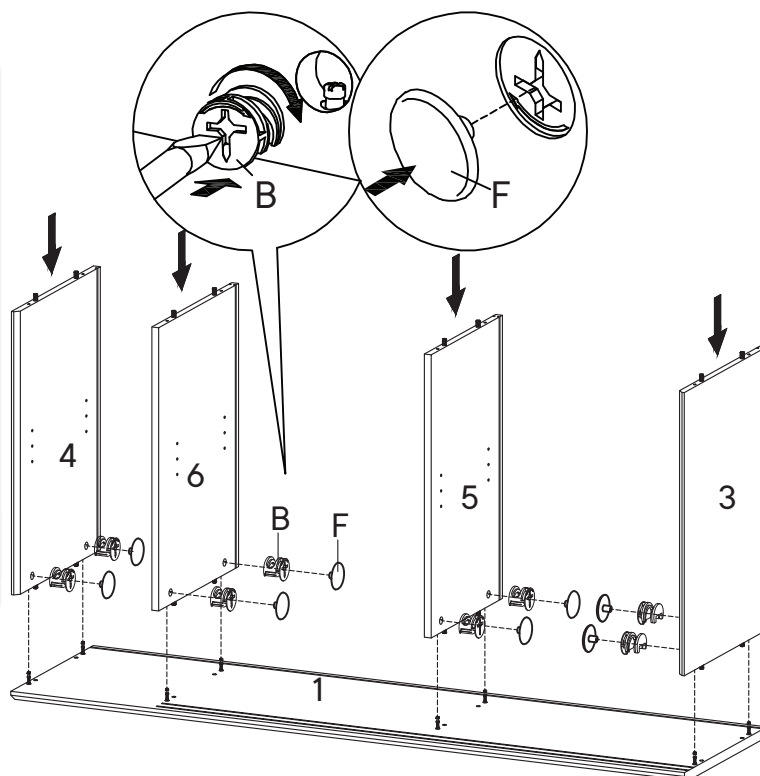
Step 2

HARDWARE

- B** Cam Lock $\varnothing 15$ mm x8
- F** Screw Cap $\varnothing 15$ mm x8

COMPONENTS

- 1** Top Board x1
- 3** Side Board Left x1
- 4** Side Board Right x1
- 5** Center Board Left x1
- 6** Center Board Right x1



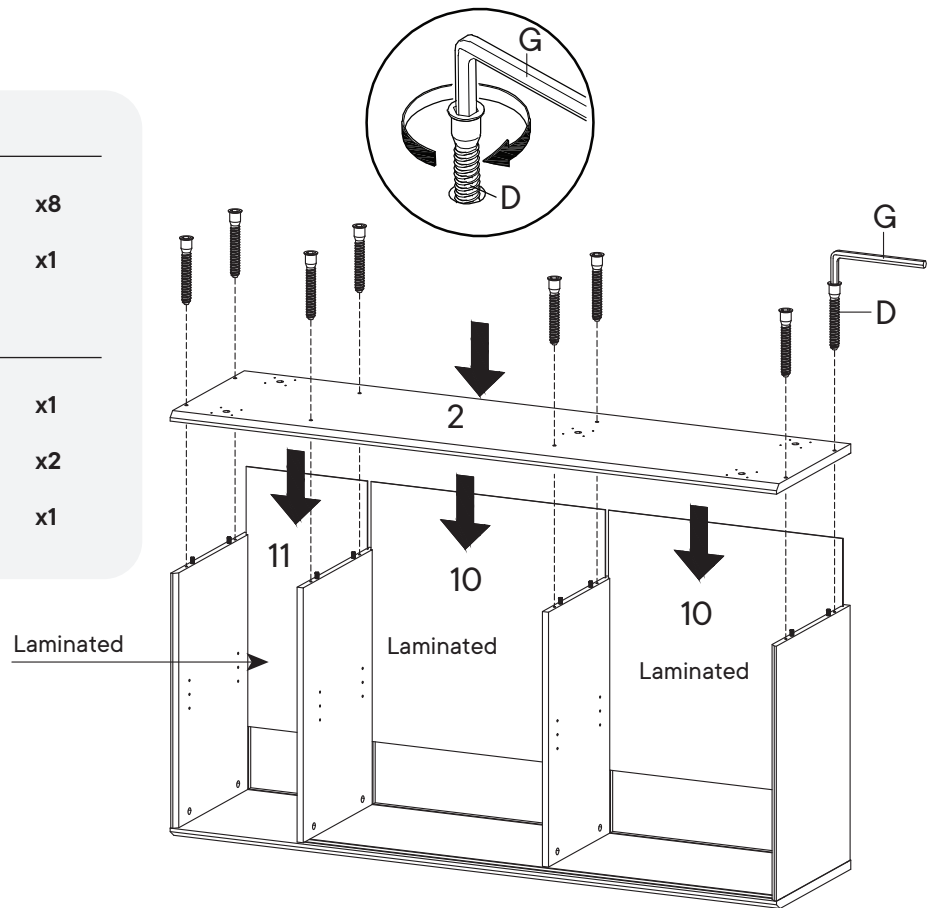
Step 3

HARDWARE

- D** Screw M 7 x 50 mm x8
- G** Allen Key x1

COMPONENTS

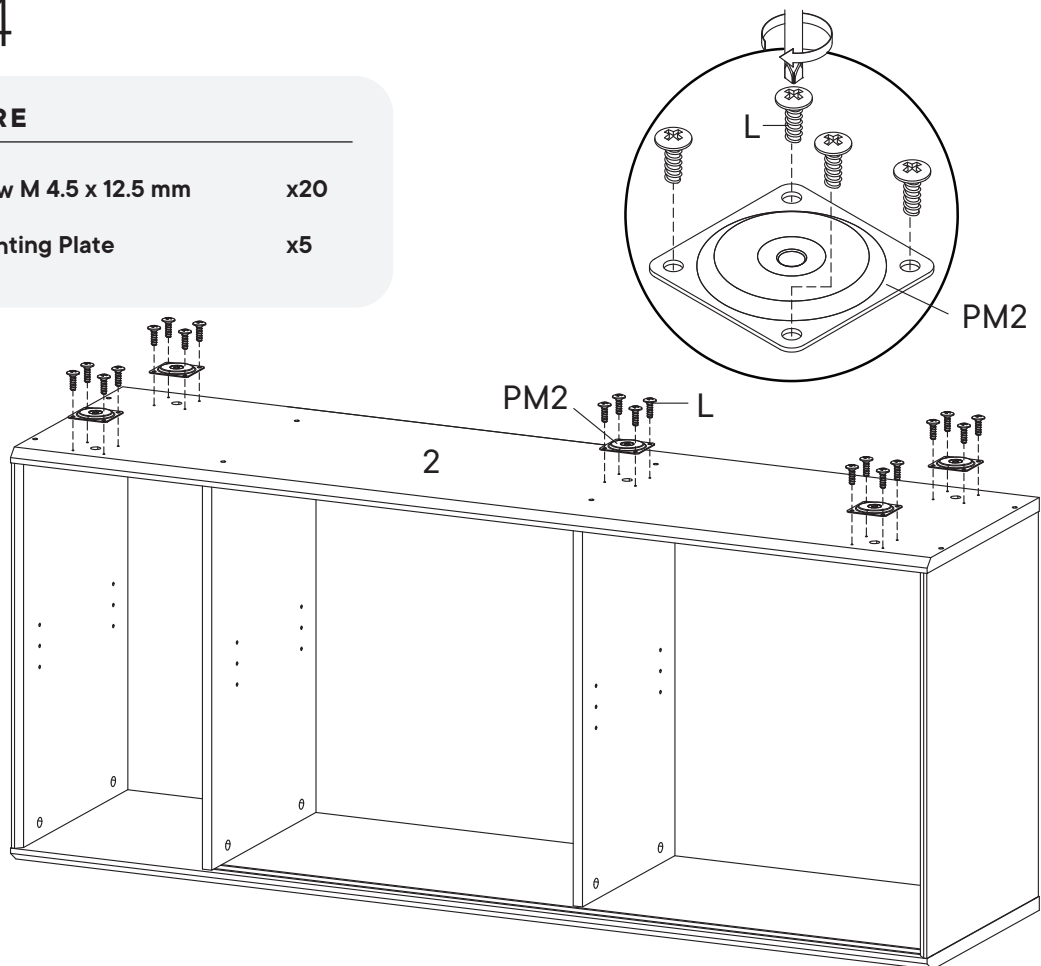
- 2** Bottom Board x1
- 10** Back Board 1 x2
- 11** Back Board 2 x1



Step 4

HARDWARE

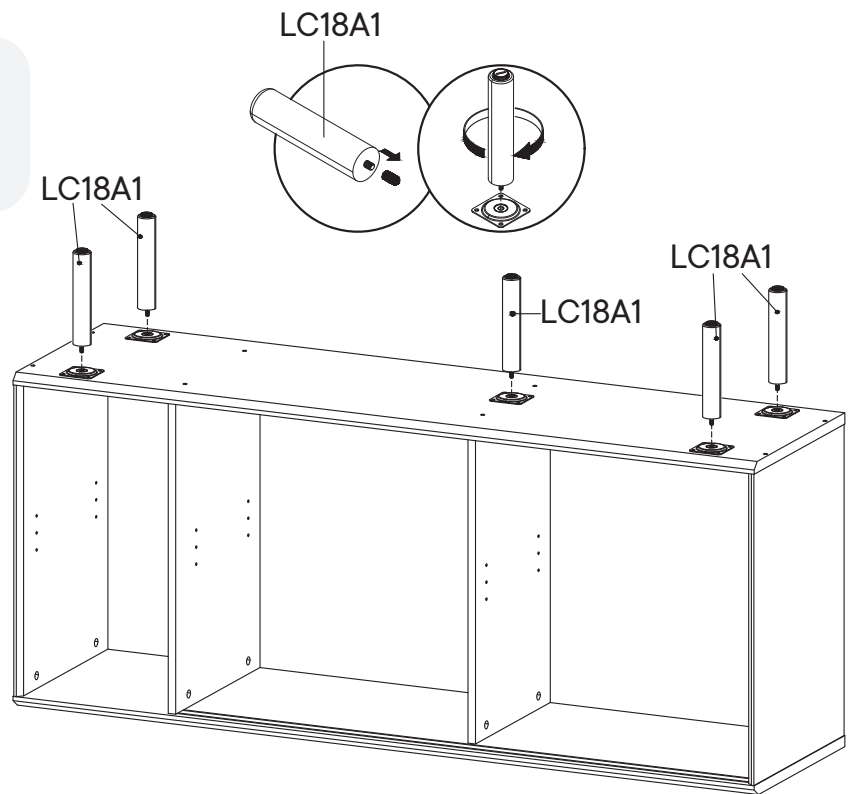
- L** Screw M 4.5 x 12.5 mm x20
- PM2** Mounting Plate x5



Step 5

COMPONENTS

LC18A1 Leg x5



Step 6

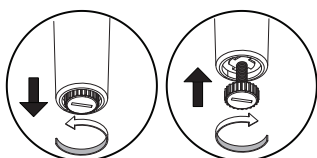
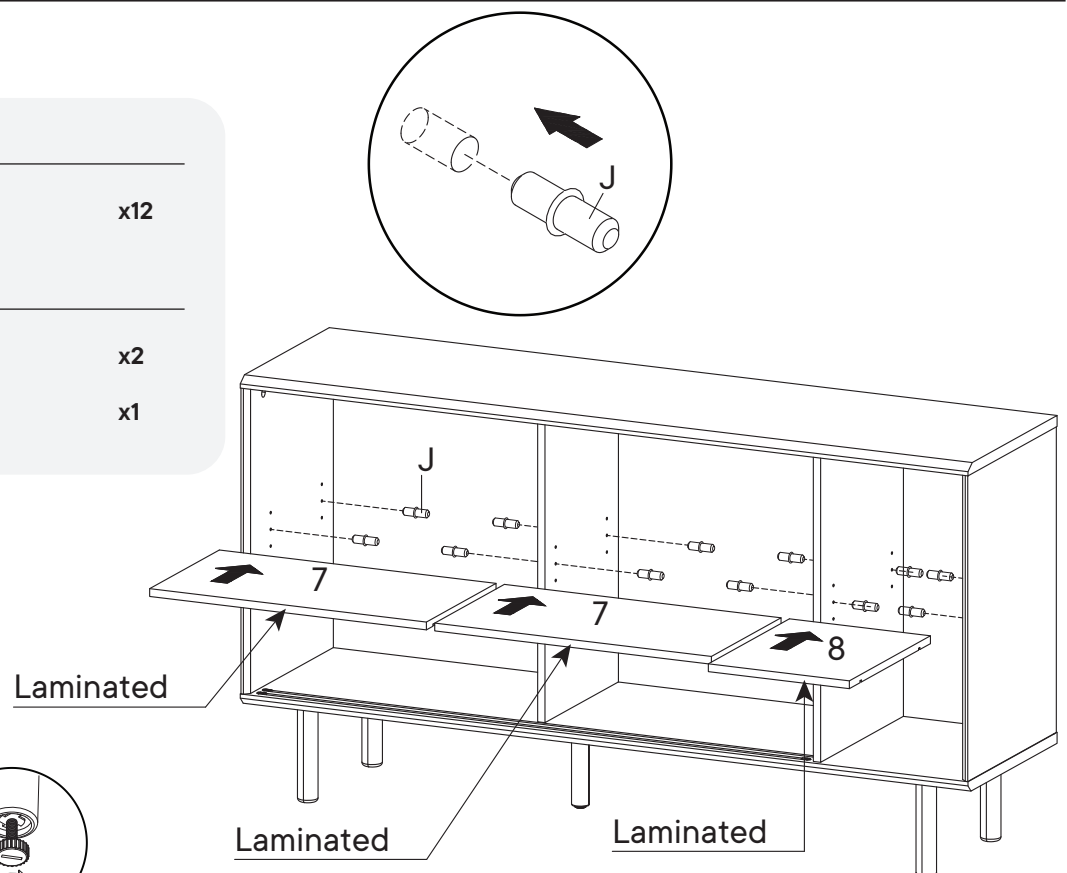
HARDWARE

J Shelf Pin x12

COMPONENTS

7 Adjustable Shelf 1 x2

8 Adjustable Shelf 2 x1



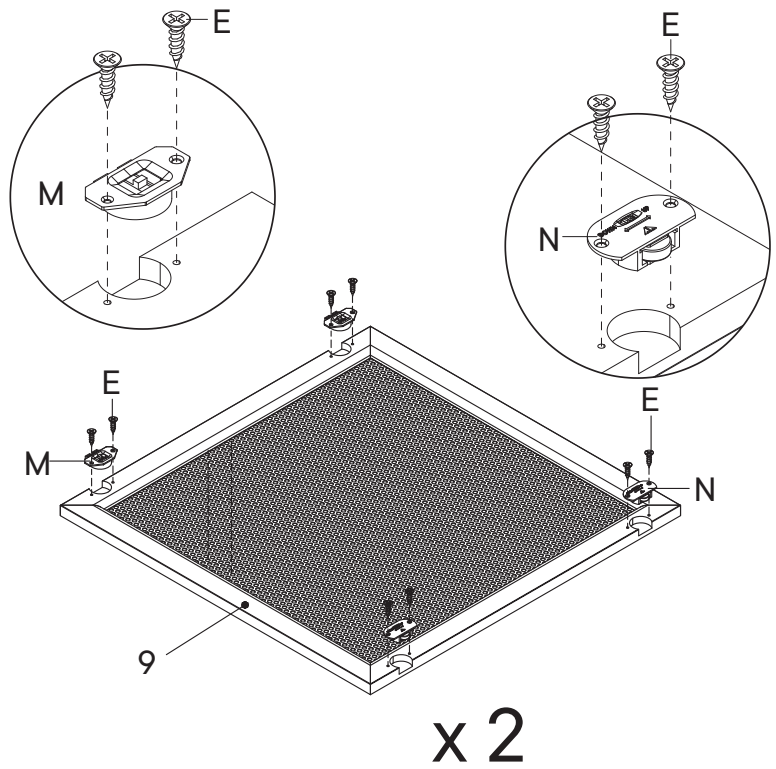
Step 7

HARDWARE

- E** Screw M 3.5 x 13 mm x16
- M** Sliding Top x4
- N** Sliding Bottom x4

COMPONENTS

- 9** Frame Door x2



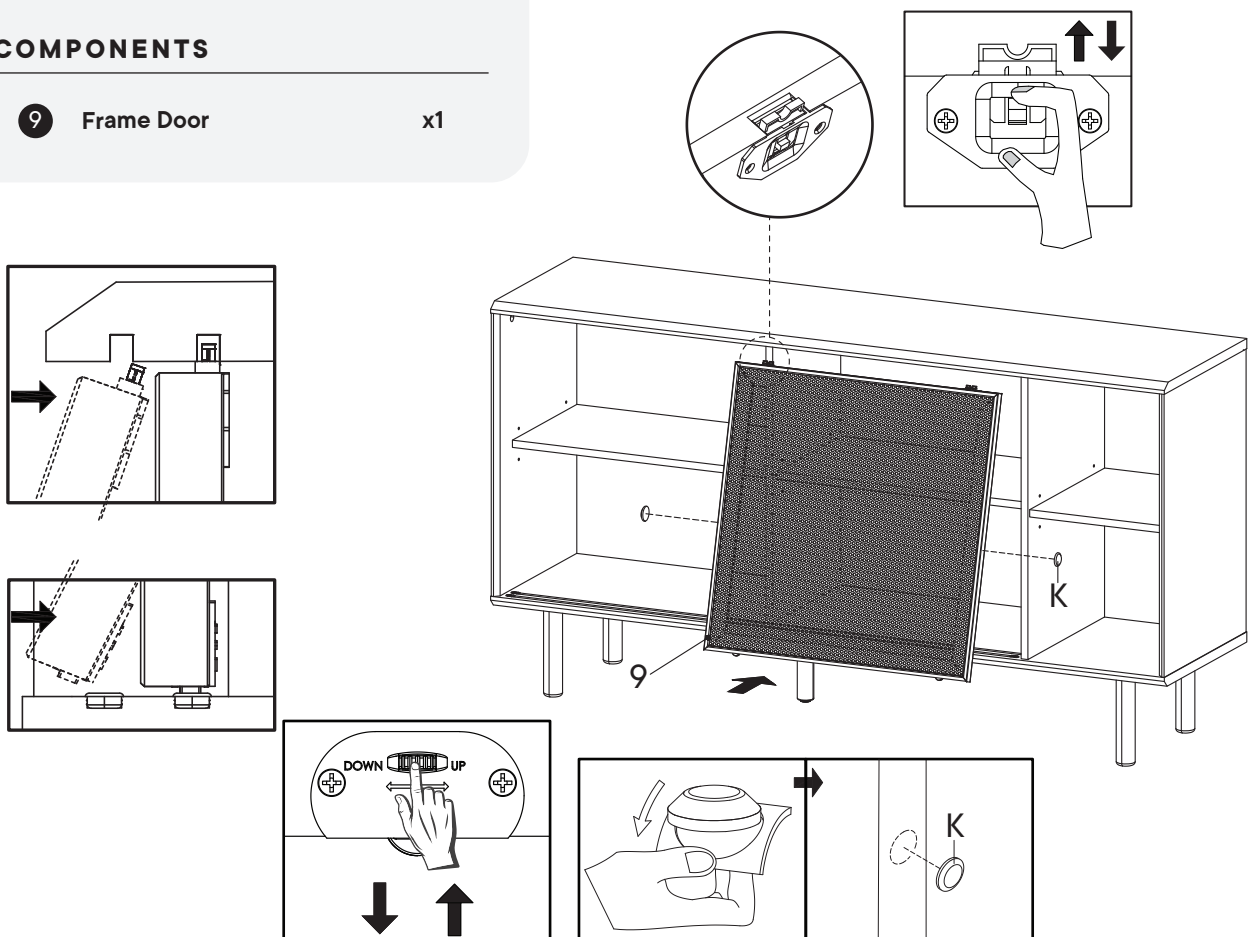
Step 8

HARDWARE

- K** Silicon Bumper x2

COMPONENTS

- 9** Frame Door x1



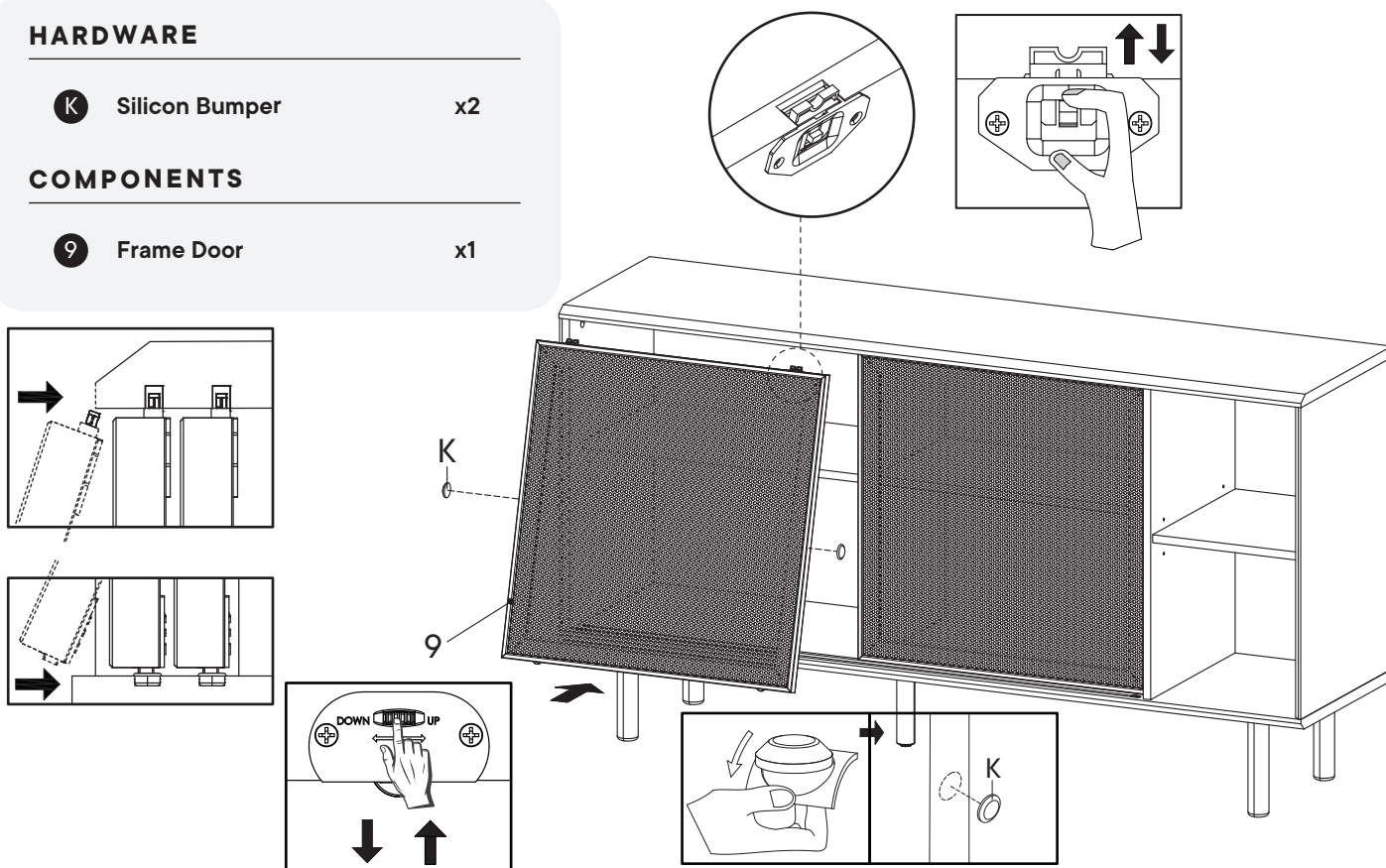
Step 9

HARDWARE

K Silicon Bumper x2

COMPONENTS

9 Frame Door x1

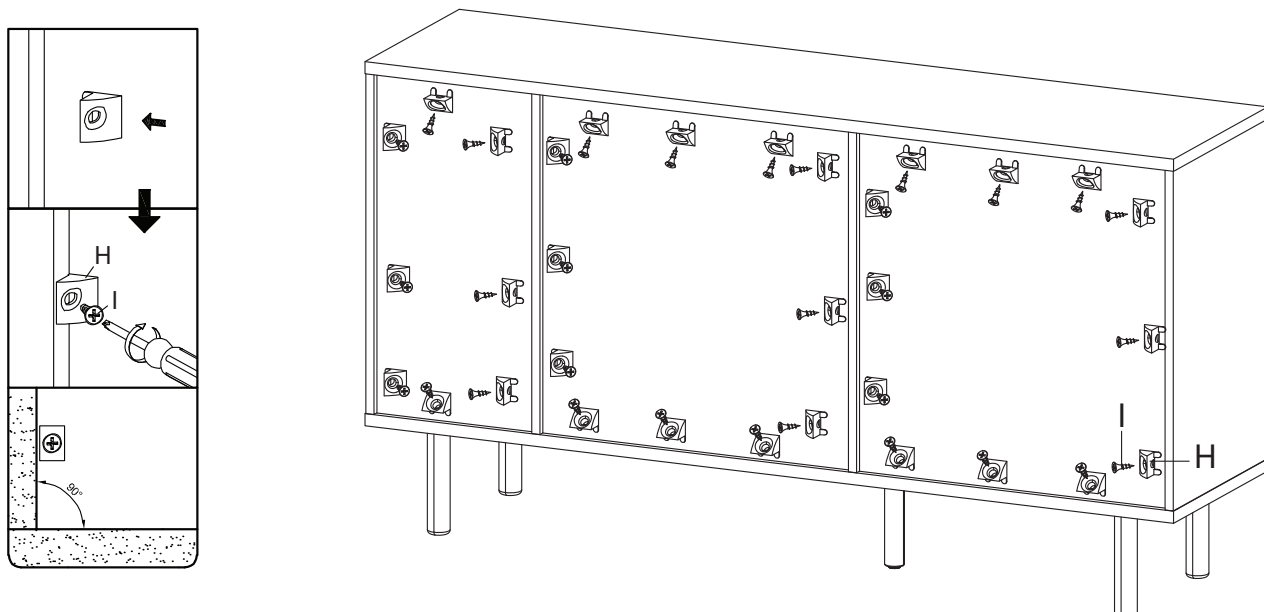


Step 10

HARDWARE

H Wedge x32

I Screw M 3.5 x 15.5 mm x32



Great job!

Sideboard assembly is complete.

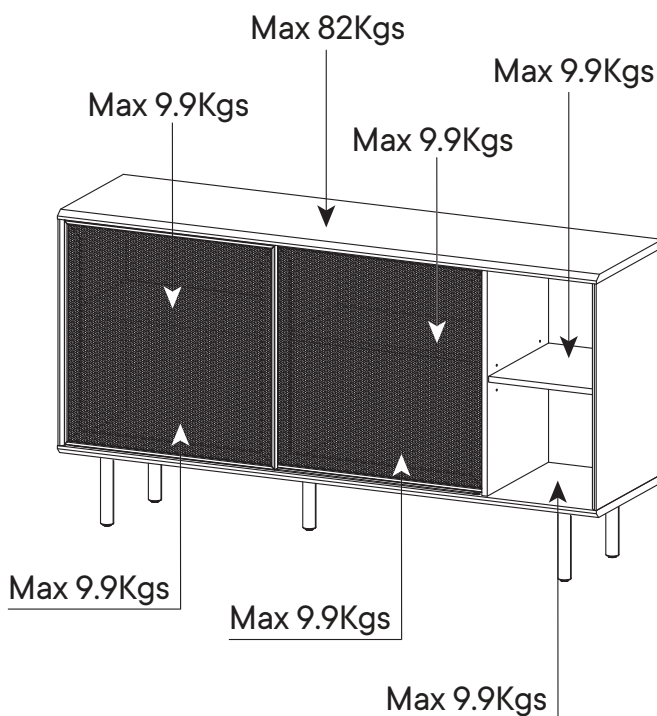
♥ CARING FOR YOUR ITEM

Indoor use only.

Not contract grade.

Clean using a non-abrasive cloth and a mild cleaner.

Never use harsh chemicals, as they could damage the finish or integrity of the item.



CONNECT WITH US!

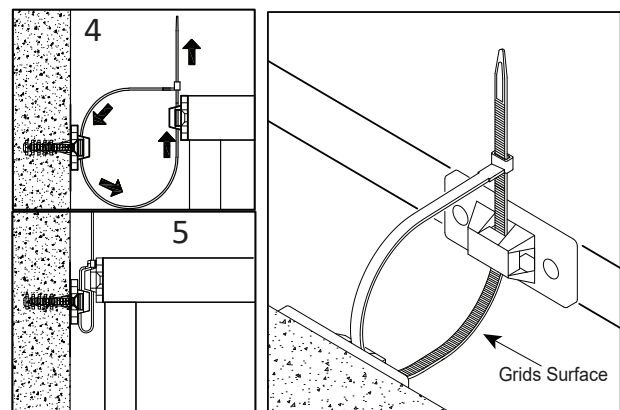
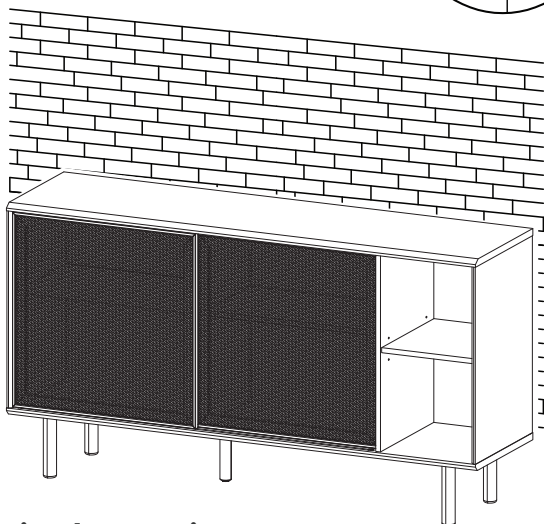
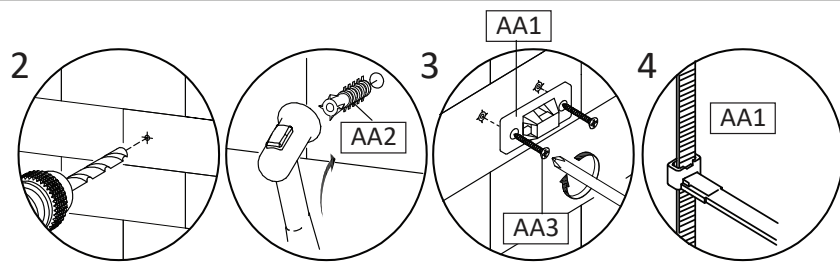
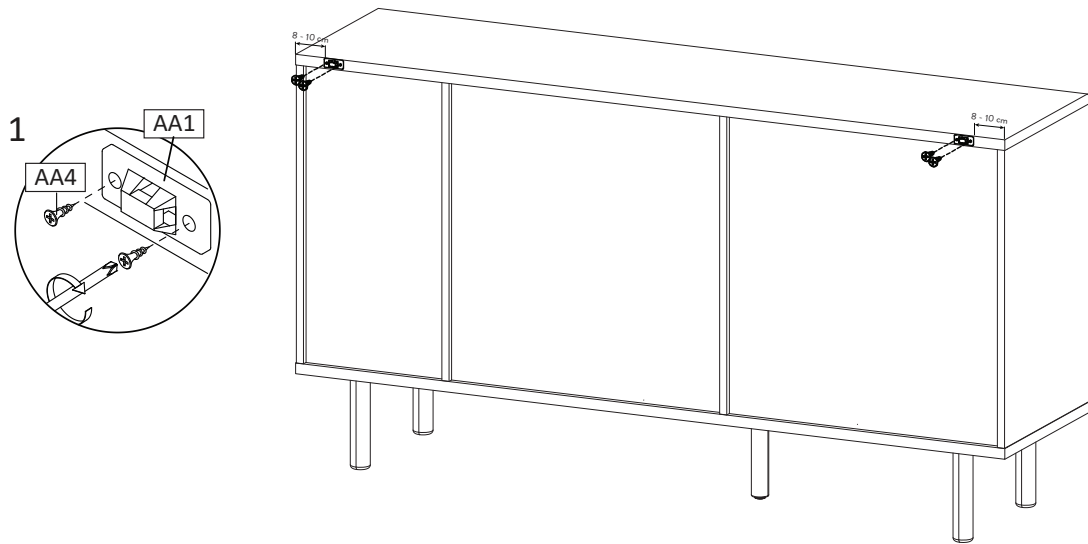
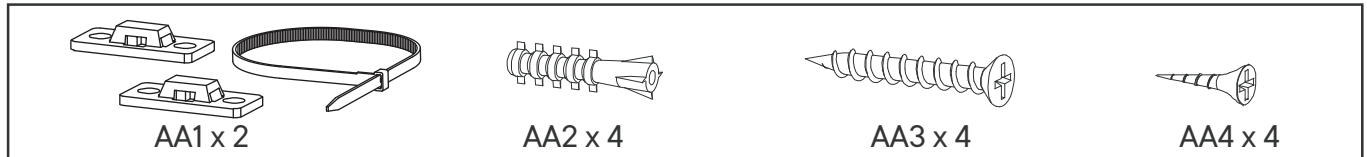
Tag us @modway_furniture and #modway for a chance to be featured.

TIPPING RESTRAINTS KIT INSTALLATION GUIDANCE

Different wall materials require unique wall fasteners.

The wall plugs (AA2) and screws (AA3) are designed for fixing to concrete walls only.

Please consult your local hardware store to ensure you are using the correct hardware for you wall type.



Installation Instructions :

1. Attach bracket (AA1) securely to the back top of the furniture using screw (AA4) provided. Allow 8 - 10 cm from each side.
2. Please make a hole for wall plugs position on the wall and minimum 15 mm below bracket secured to the back of unit attach the wall plugs (AA2).
3. Locate the other bracket (AA1) on the wall over wall plugs (AA2). Place furniture into position so both brackets (AA1) are vertically in the line.
4. Lace the end of the restraints strap through the larger hole in each bracket. Ensure the restraints strap with grids surface facing the inner loops. Bring both ends together and slide the flat end through the locking end and draw it through until all slack is removed.
5. Make sure that the strap is securely laced & locked.