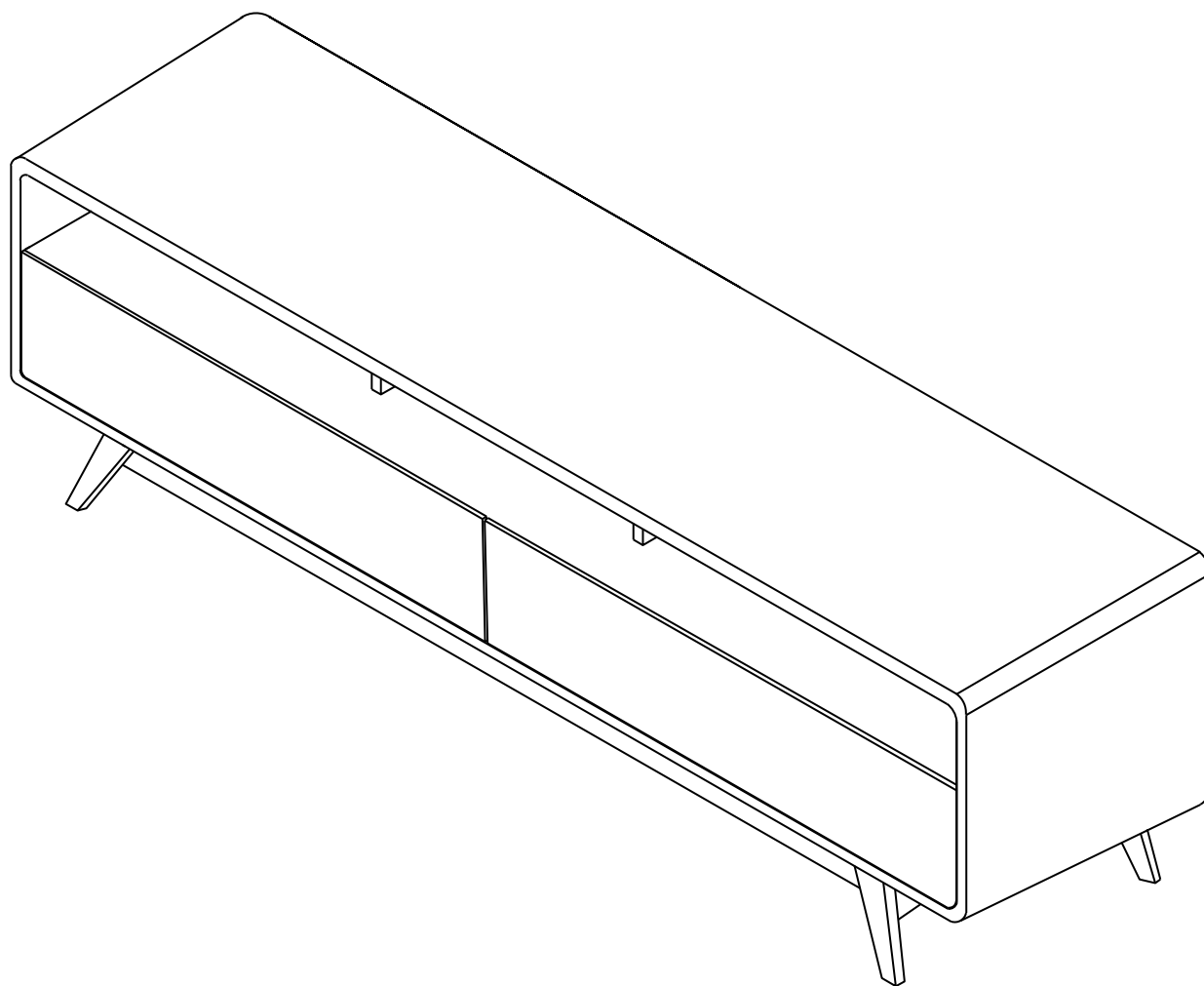


ASSEMBLY INSTRUCTIONS

EEI-6231

V1. 12.29.22



Questions? Contact us!

609.256.9000 • cs@modway.com

www.modway.com

*modway

Let's get started!

*modway



Read through all of the instructions before starting



Care instructions are listed in the last step of this manual



Approx. 60 minutes assembly time



Make sure you have all parts and components before discarding any packing materials



2 people recommended for assembly

Only use hand tools to assemble this item. Do not use power tools. Do not tighten bolts or screws completely until all hardware is lined up and inserted into the holes.

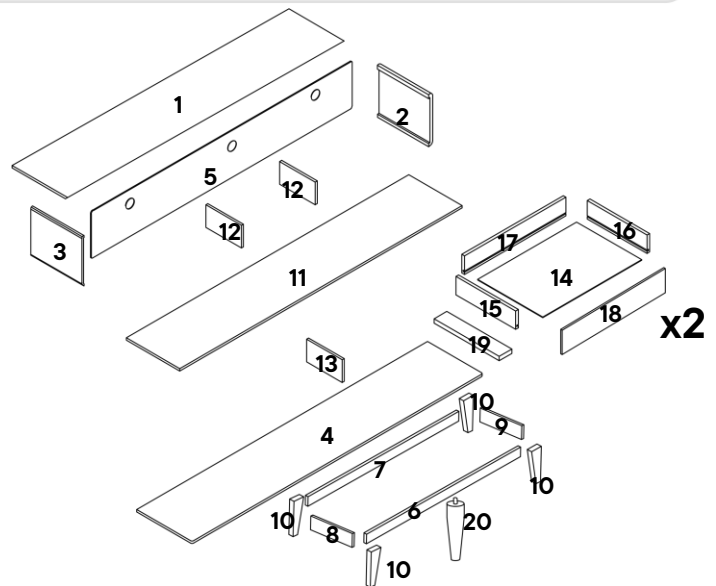
Do not over-tighten screws and bolts to avoid stripping the hardware or cracking the item.

Assemble your item on a flat, carpeted area, with plenty of space to work. This will prevent damage and scratches to your floors or the item while you're assembling the product.

Keep all components and packaging out of reach of children or animals to avoid risk of choking or suffocation.

Furniture components:

1	Top Panel	x1	11	Fixed Shelf	x1
2	Right Side Panel	x1	12	Middle Support	x2
3	Left Side Panel	x1	13	Down Support	x1
4	Bottom Panel	x1	14	Drawer Base	x2
5	Back Panel	x1	15	Drawer Right	x2
6	Front Leg Panel	x1	16	Drawer Left	x2
7	Back Leg Panel	x1	17	Drawer Back	x2
8	Right Leg Panel	x1	18	Drawer Head	x2
9	Left Leg Panel	x1	19	Drawer Support	x2
10	Leg	x4	20	Center Leg	x1



Provided hardware:

A	JCBC M6 x 30mm	x4	K	Cam Lock Ø15 x 9.9mm	x6
B	Wooden Dowel Ø6 x 30mm	x68	L	Allen Key	x1
C	Cam Lock Ø15 x 12mm	x24	M	Hole Plug 15mm	x8
D	Cam Bolt Ø6 x 32mm	x30	N	C/board Runner Left	x2
E	Floor Glide B321	x4	O	C/board Runner Right	x2
F	C/board Screw Ø3.5 x 16mm	x32	P	Drawer Runner Left	x2
G	JCBC M6 x 80mm	x2	Q	Drawer Runner Right	x2
H	JCBC M6 x 60mm	x6			
I	C/board Screw Ø4 x 38mm	x6			
J	Metal Plate	x1			

What you need:



Wait!

Missing parts or hardware? Need assistance?

Contact us before returning your item. We're here to help!
609.256.9000 • cs@modway.com

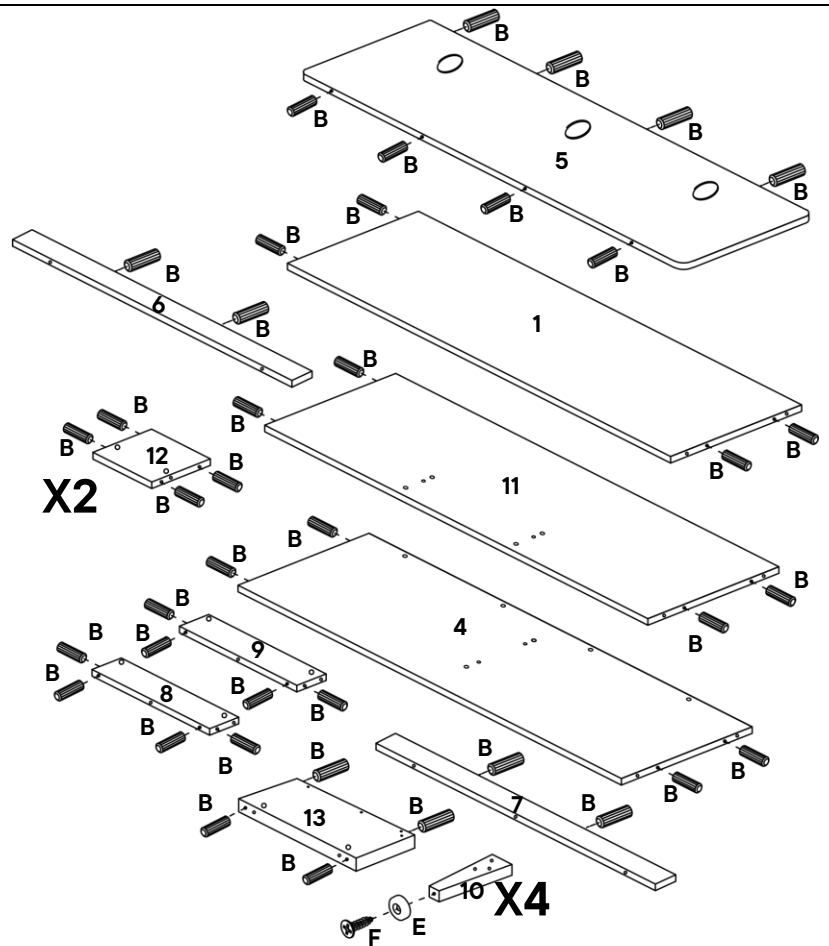
Step 1

HARDWARE

- B** Wooden Dowel Ø6 x 30mm x44
- E** Floor Glide B321 x4
- F** C/board Screw Ø3.5 x 16mm x4

COMPONENTS

- 1** Top Panel x1
- 4** Bottom Panel x1
- 5** Back Panel x1
- 6** Front Leg Panel x1
- 7** Back Leg Panel x1
- 8** Right Leg Support x1
- 9** Left Leg Support x1
- 10** Leg x4
- 11** Fixed Shelf x1
- 12** Middle Support x2
- 13** Down Support x1



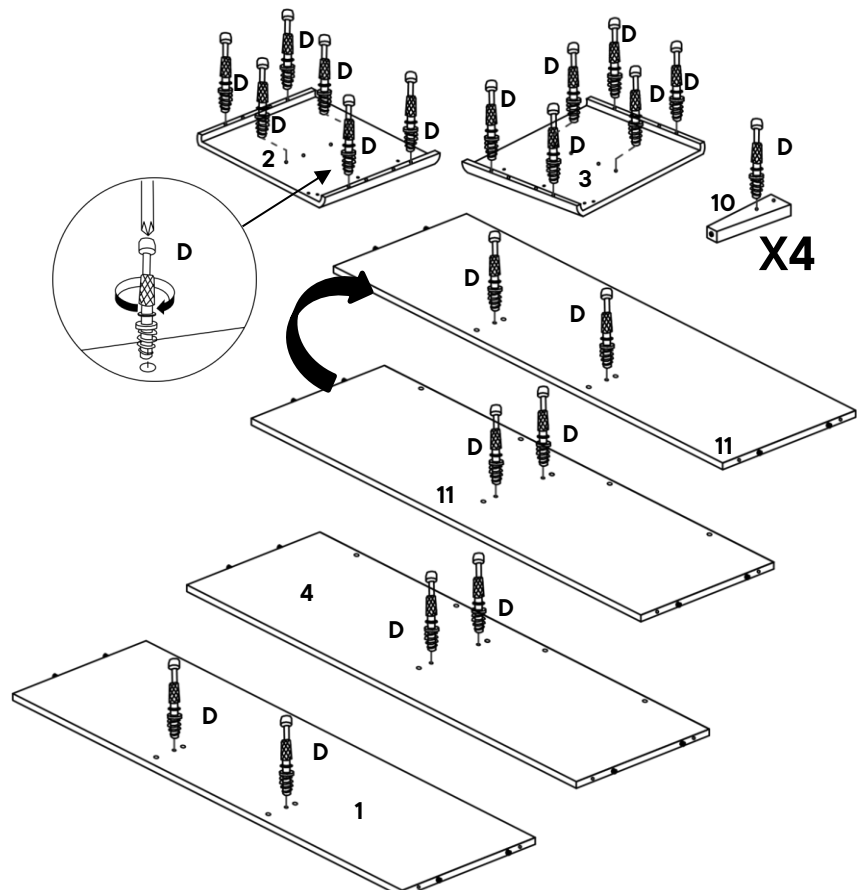
Step 2

HARDWARE

- D** Cam Bolt Ø6 x 32mm x24

COMPONENTS

- 1** Top Panel x1
- 2** Right Side Panel x1
- 3** Left Side Panel x1
- 4** Bottom Panel x1
- 10** Leg x4
- 11** Fixed Shelf x1



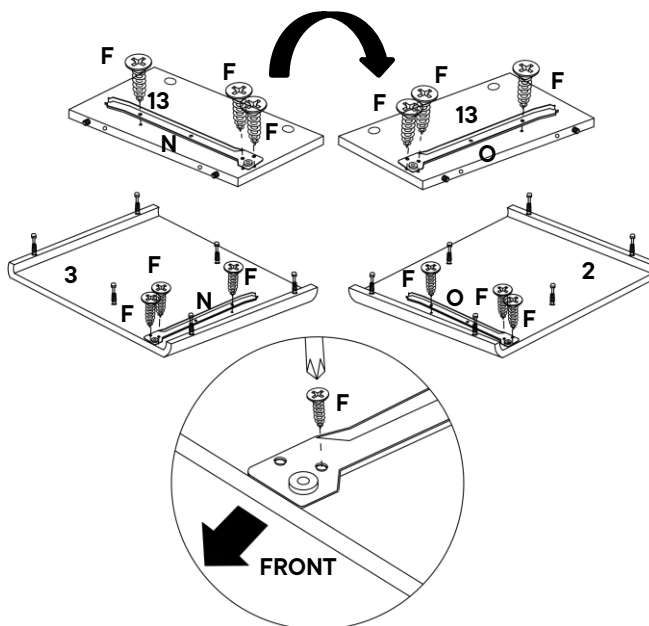
Step 3

HARDWARE

- F** C/board Screw $\varnothing 3.5 \times 16\text{mm}$ x12
- N** C/board Runner Left x2
- O** C/board Runner Right x2

COMPONENTS

- 2** Right Side Panel x1
- 3** Left Side Panel x1
- 13** Down Support x1



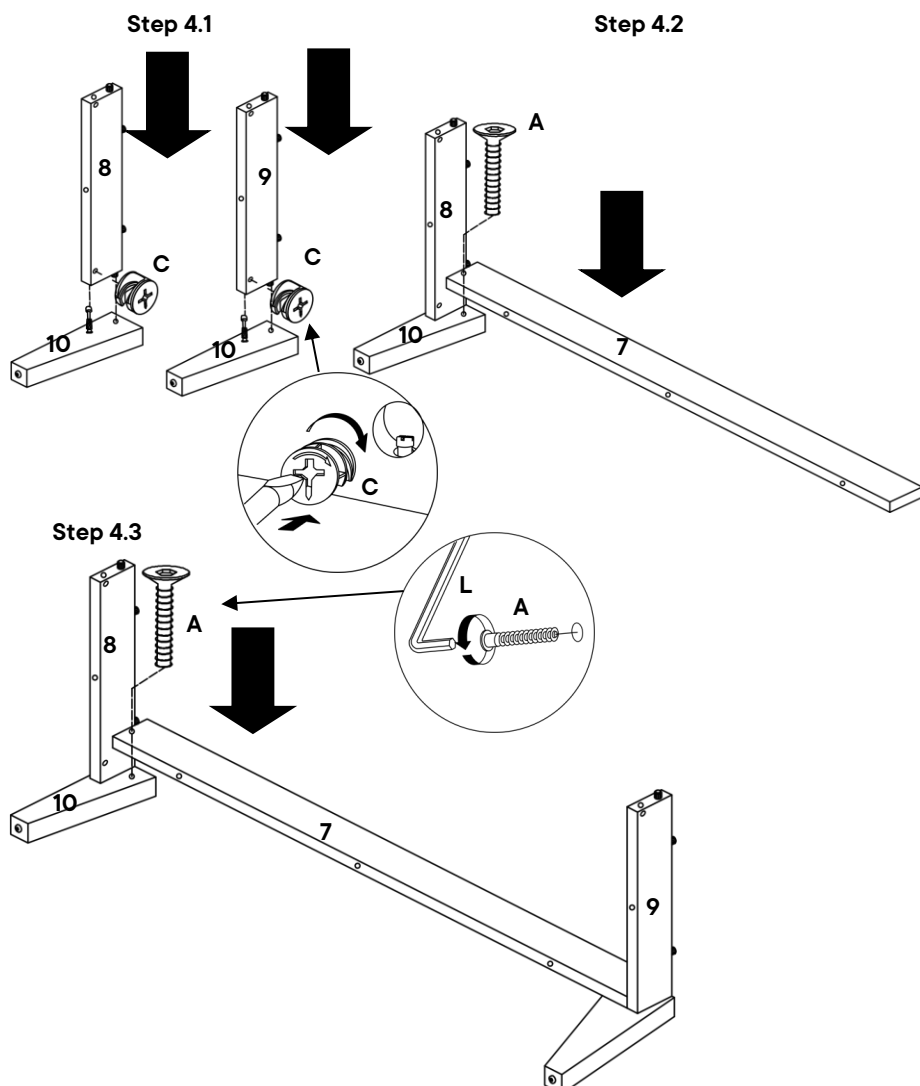
Step 4

HARDWARE

- A** JCBC M6 x 30mm x2
- C** Cam Lock $\varnothing 15 \times 12\text{mm}$ x2

COMPONENTS

- 7** Back Leg Panel x1
- 8** Right Leg Panel x1
- 9** Left Leg Panel x1
- 10** Leg x2



Step 5

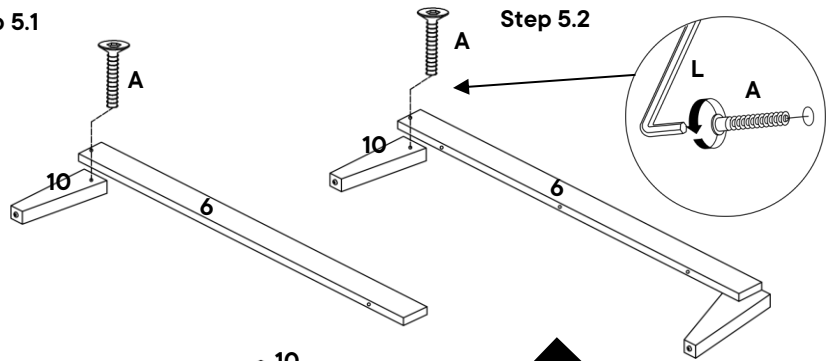
HARDWARE

- A** JCBC M6 x 30mm x2
- C** Cam Lock Ø15 x 12mm x2
- L** Allen Key x1

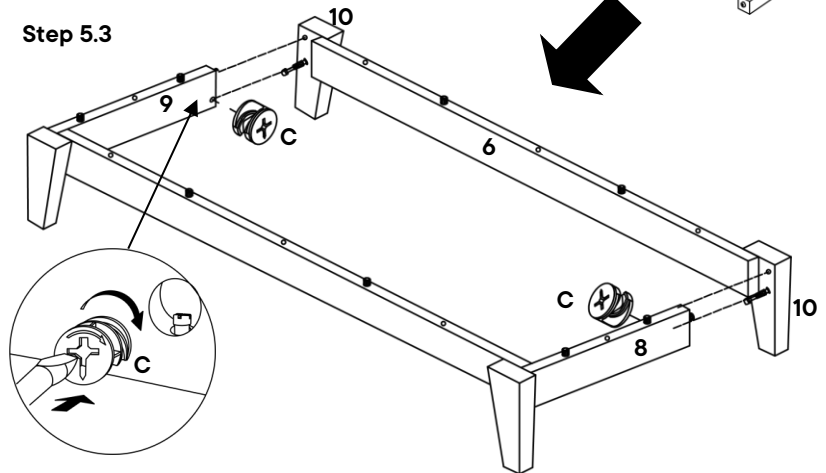
COMPONENTS

- 6** Front Leg Panel x1
- 8** Right Leg Panel x1
- 9** Left Leg Panel x1
- 10** Leg x2

Step 5.1



Step 5.3



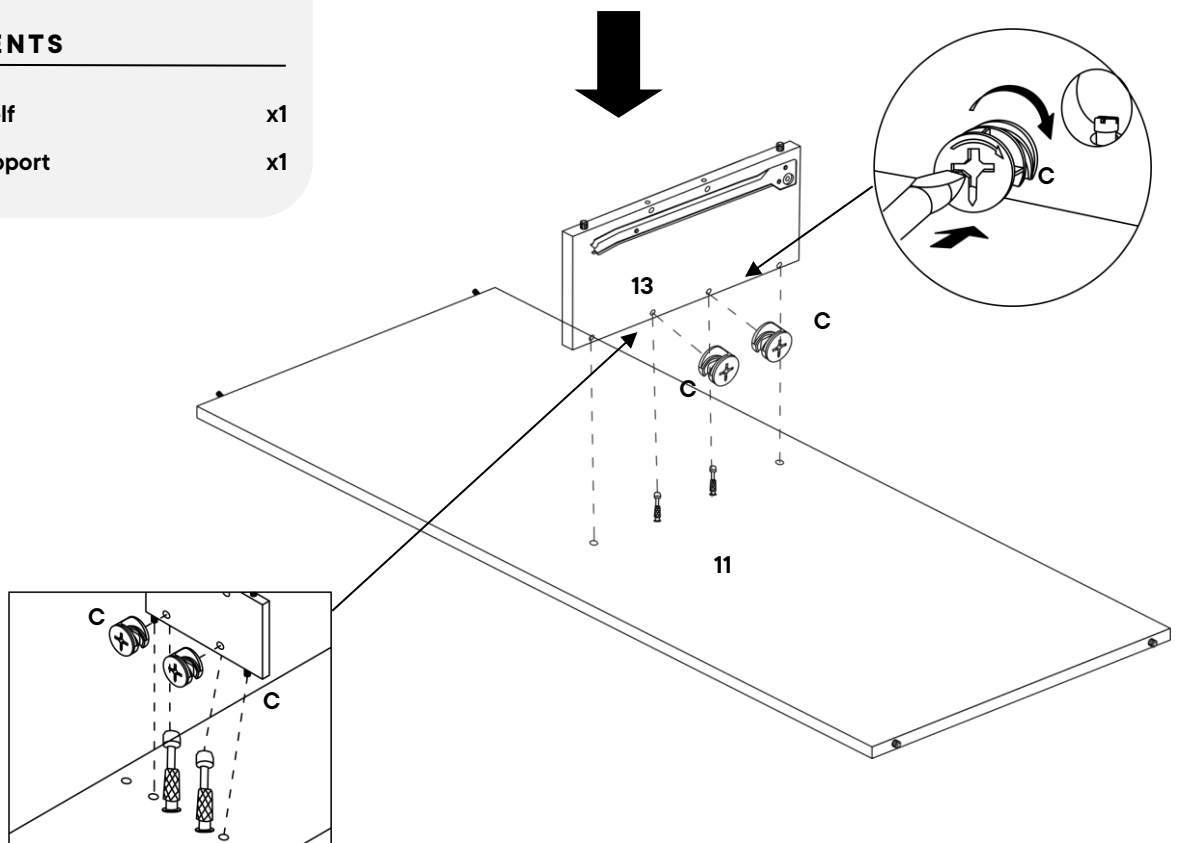
Step 6

HARDWARE

- C** Cam Lock Ø15 x 12mm x2

COMPONENTS

- 11** Fixed Shelf x1
- 13** Down Support x1



Step 7

HARDWARE

C Cam Lock Ø15 x 12mm x4

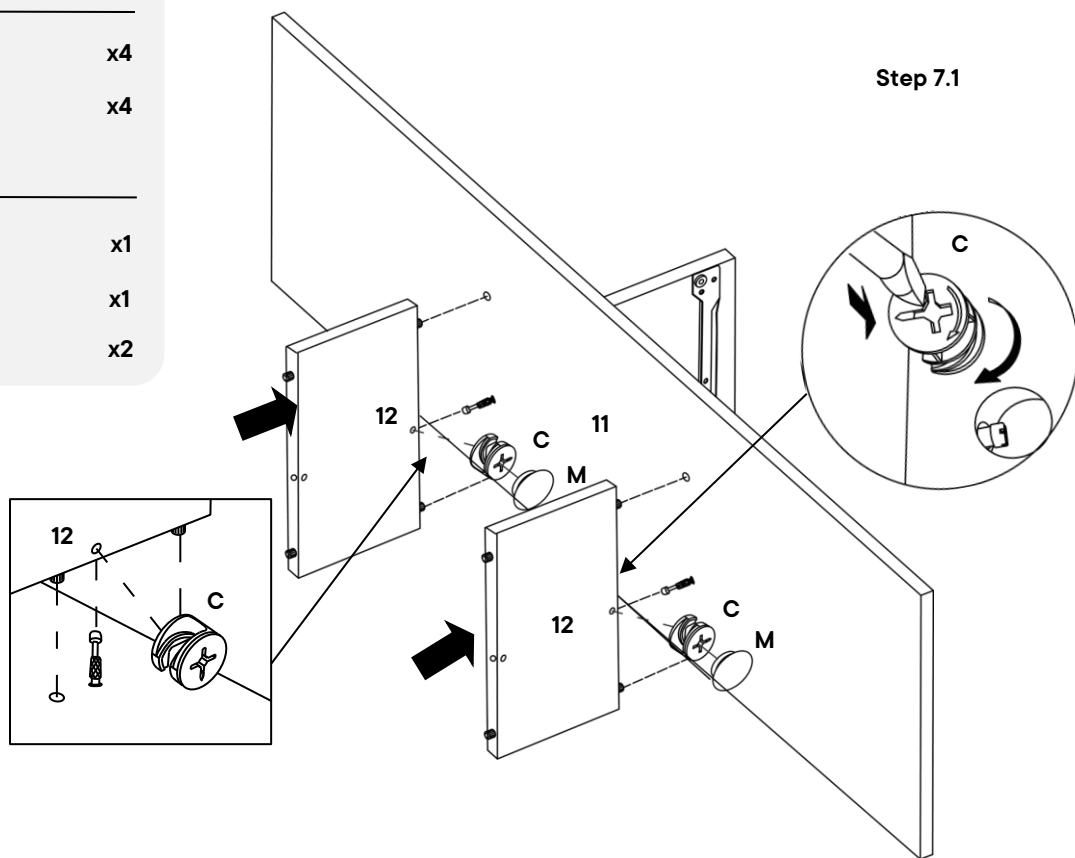
M Hole Plug 15mm x4

COMPONENTS

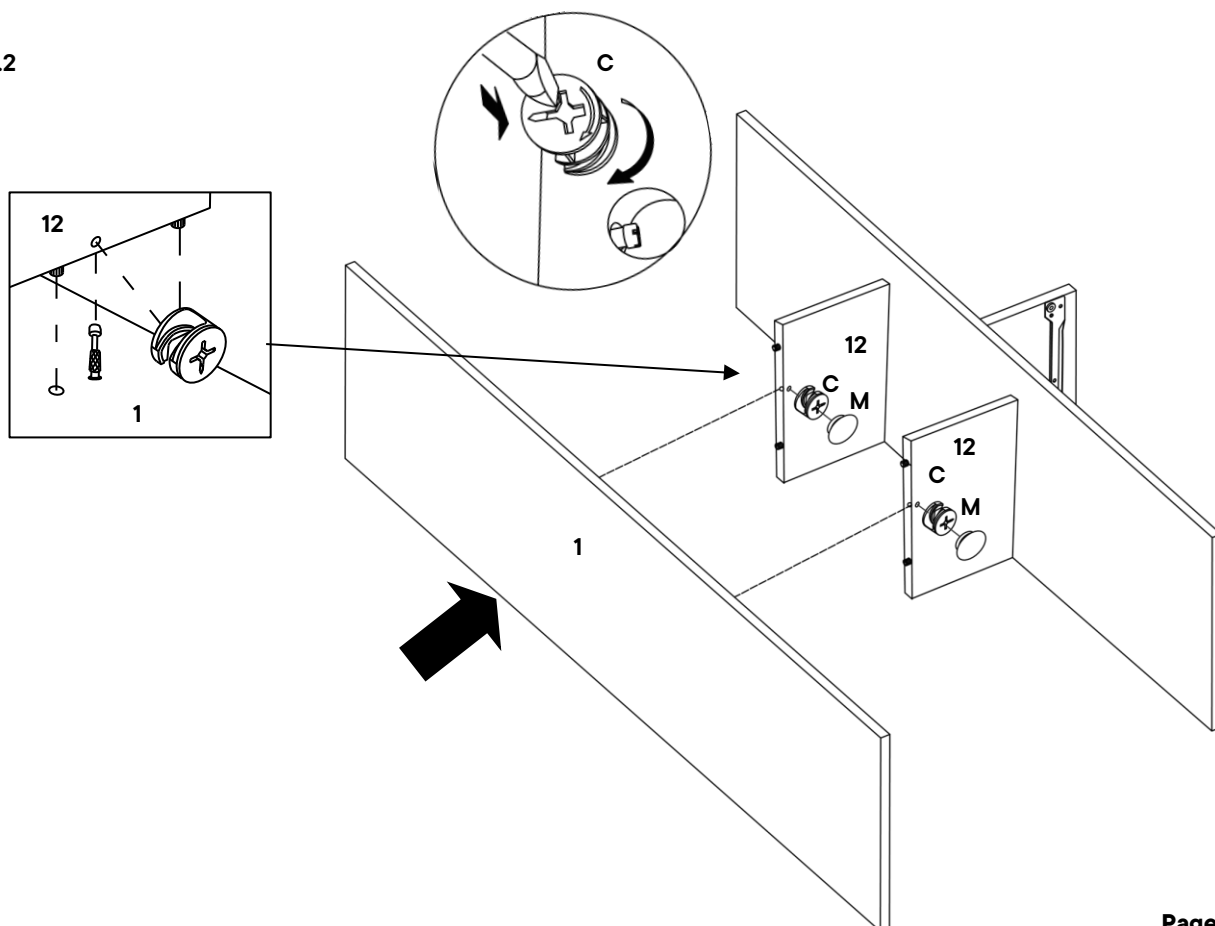
1 Top Panel x1

11 Fixed Shelf x1

12 Middle Support x2



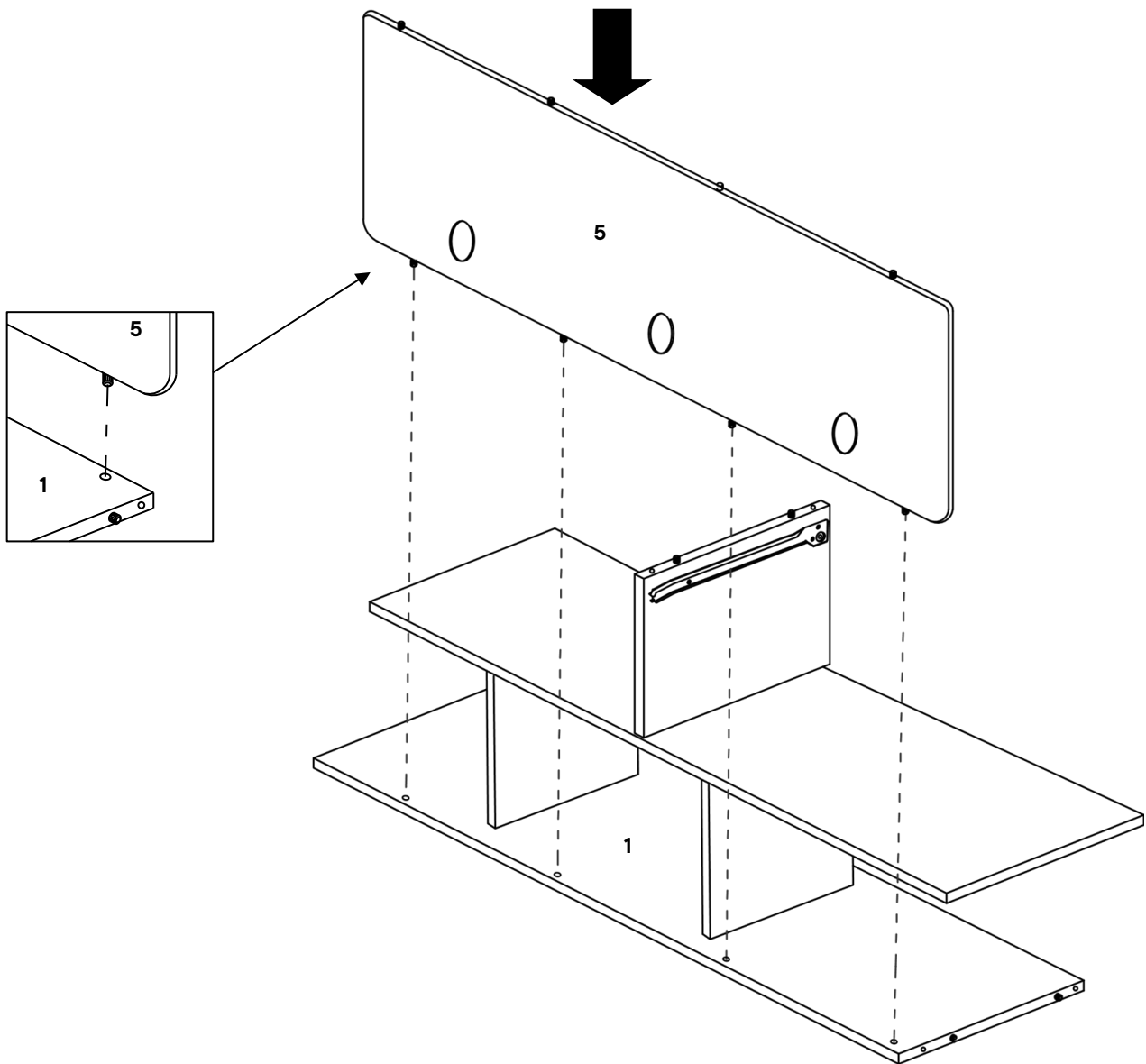
Step 7.2



Step 8

COMPONENTS

- | | | |
|---|------------|----|
| 1 | Top Panel | x1 |
| 5 | Back Panel | x1 |



Step 9

HARDWARE

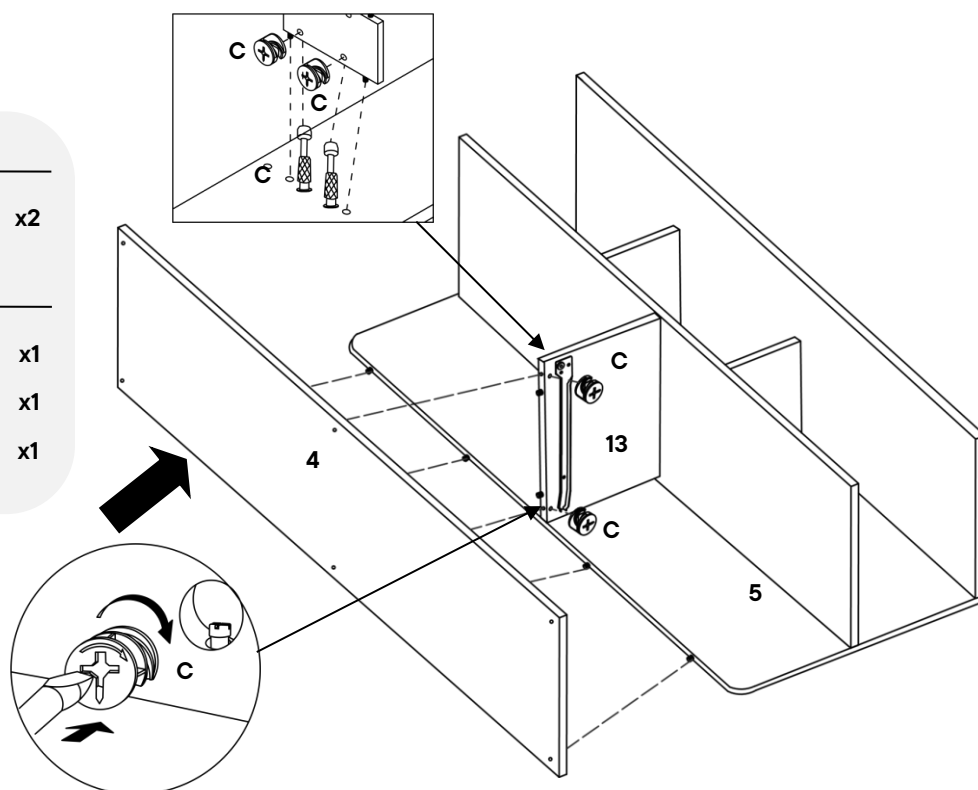
C Cam Lock Ø15 x 12mm x2

COMPONENTS

4 Bottom Panel x1

5 Back Panel x1

13 Down Support x1



Step 10

HARDWARE

C Cam Lock Ø15 x 12mm x12

F C/board Screw Ø3.5 x 16mm x4

J Metal Plate x1

M Hole Plug 15mm x4

COMPONENTS

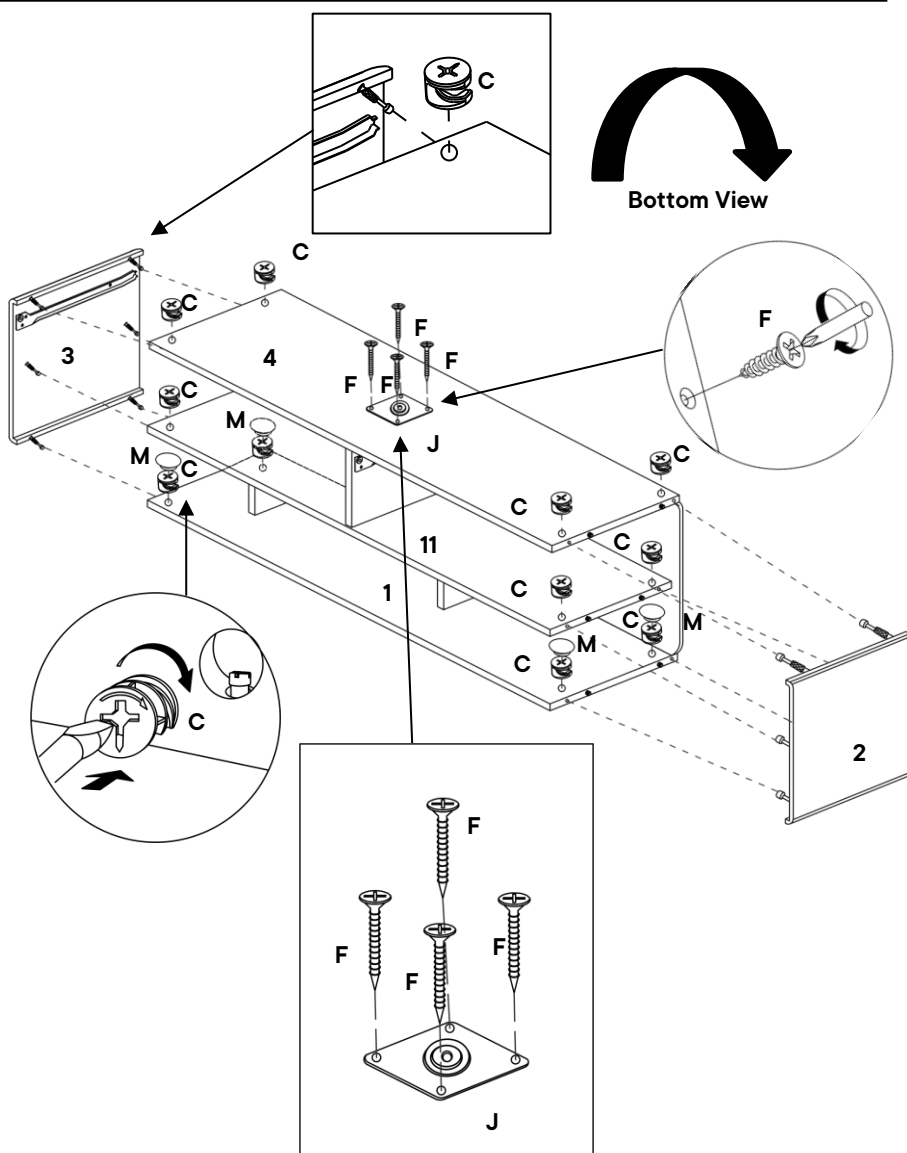
1 Top Panel x1

2 Right Side Panel x1

3 Left Side Panel x1

4 Bottom Panel x1

11 Fixed Shelf x1



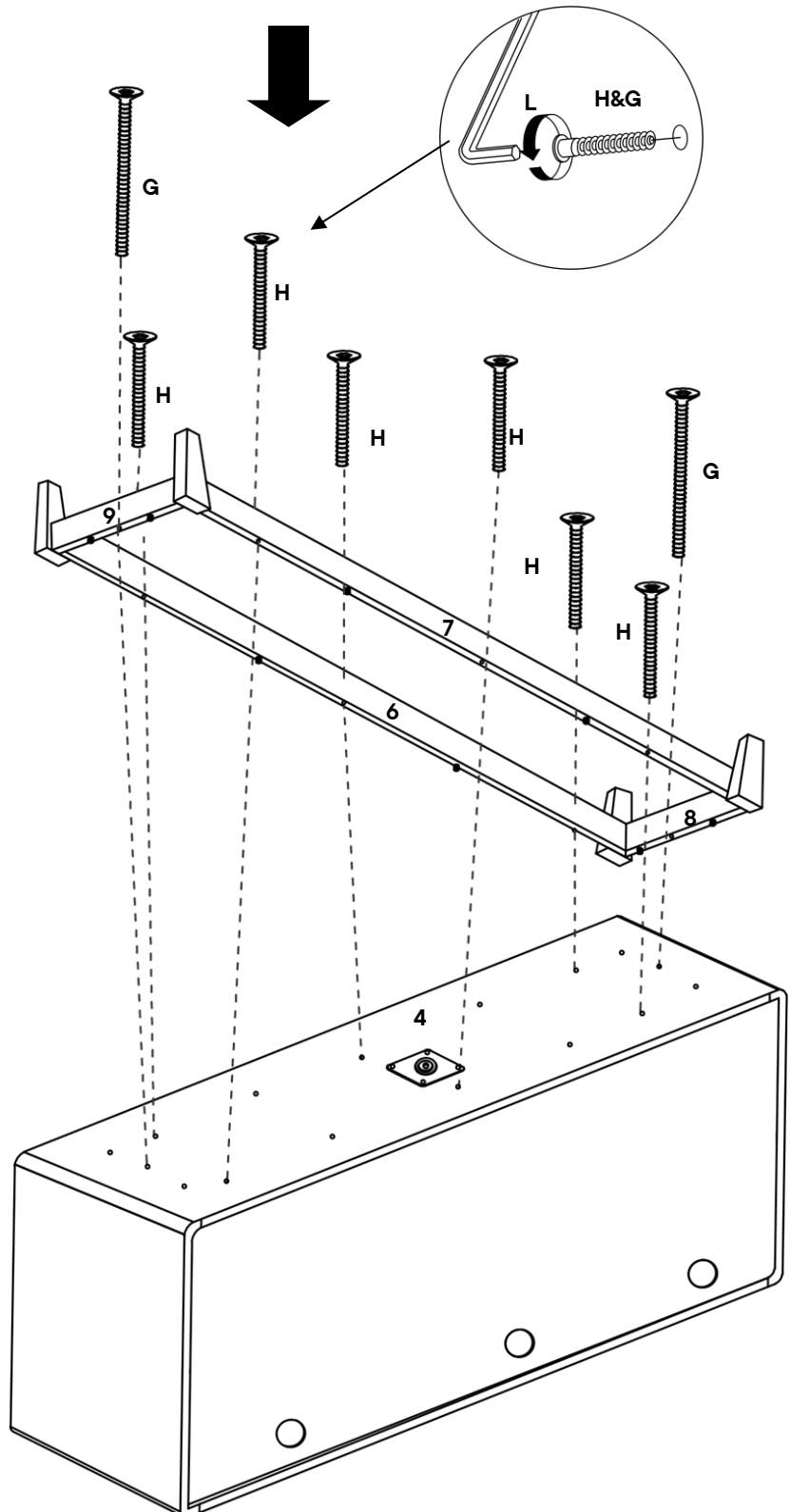
Step 11

HARDWARE

G	JCBC M6 x 80mm	x2
H	JCBC M6 x 60mm	x6
L	Allen Key	x1

COMPONENTS

4	Bottom Panel	x1
6	Front Leg Panel	x1
7	Back Leg Panel	x1
8	Right Leg Panel	x1
9	Left Leg Panel	x1



Step 12

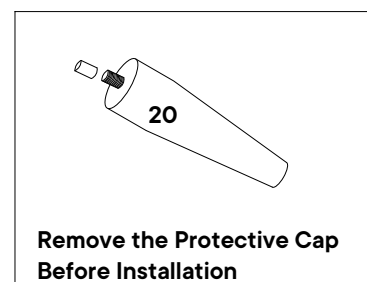
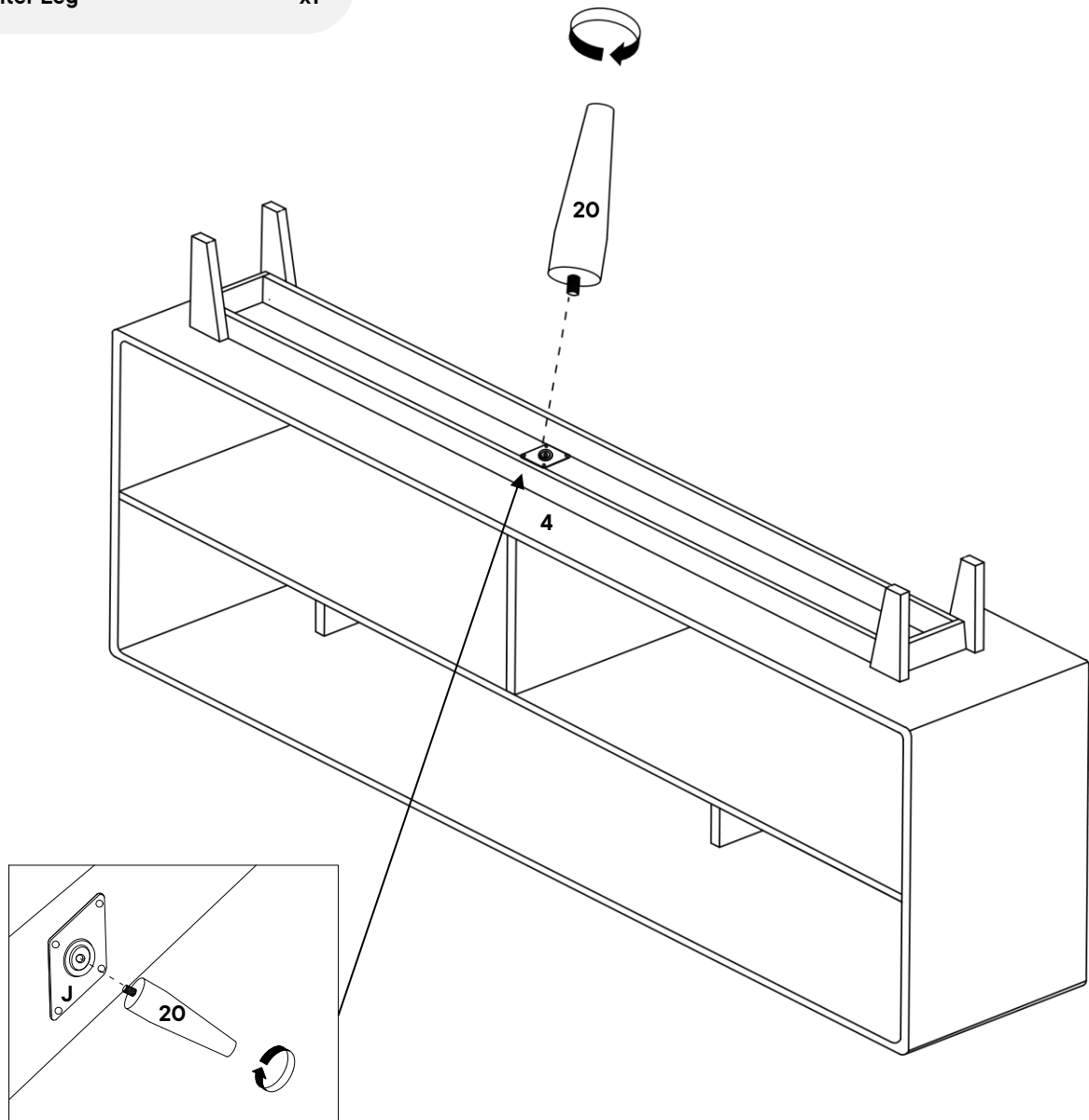
HARDWARE

J Metal Plate x1

COMPONENTS

4 Bottom Panel x1

20 Center Leg x1



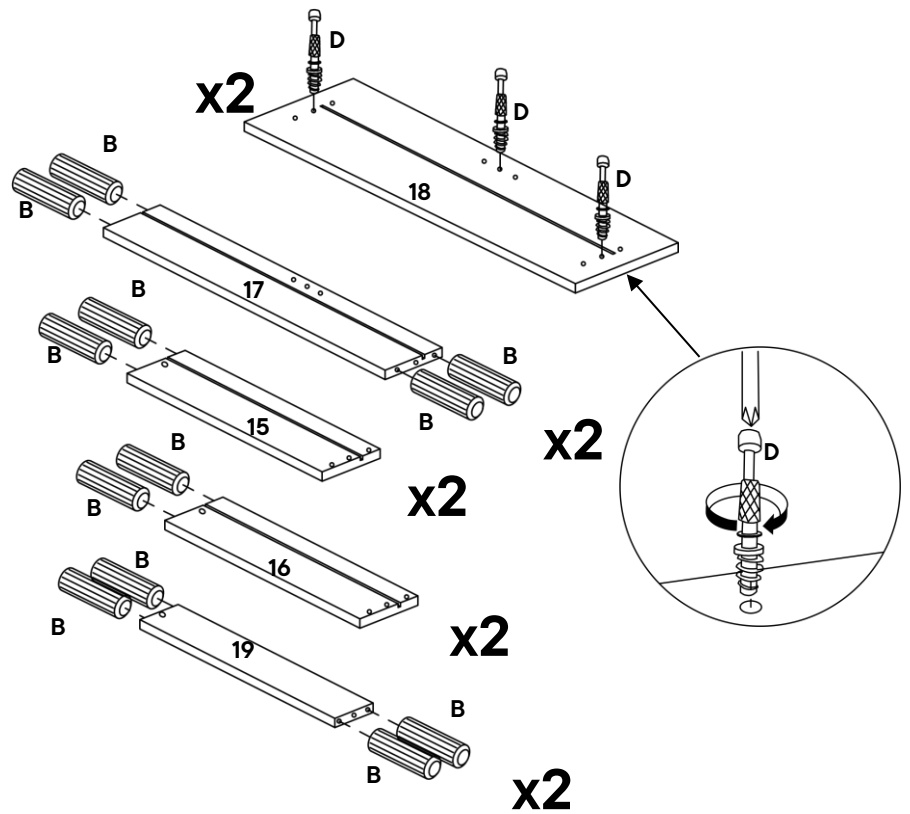
Step 13

HARDWARE

- B** Wooden Dowel $\varnothing 6 \times 30\text{mm}$ x24
- D** Cam Bolt $\varnothing 6 \times 32\text{mm}$ x6

COMPONENTS

- 15** Drawer Right x2
- 16** Drawer Left x2
- 17** Drawer Back x2
- 18** Drawer Head x2
- 19** Drawer Support x2



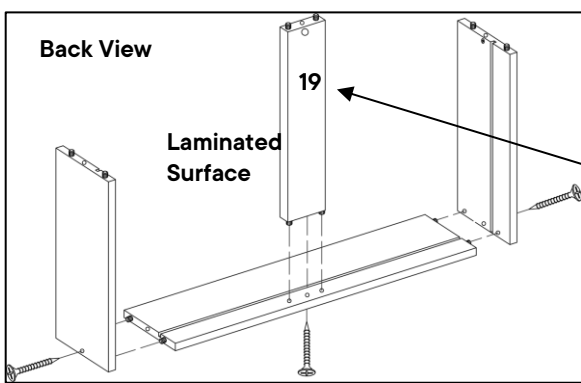
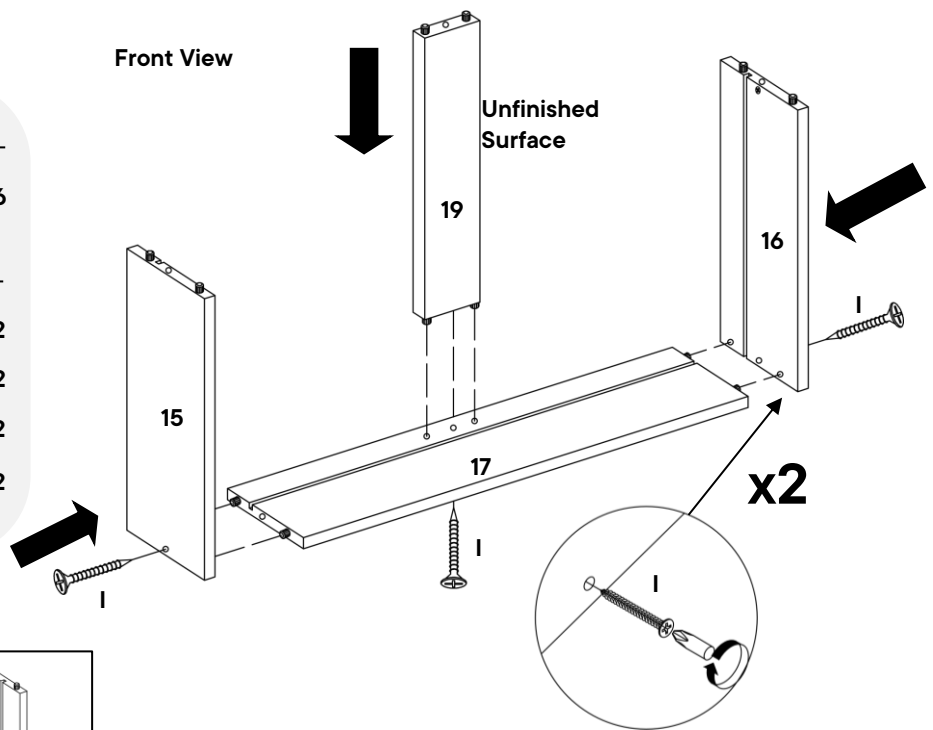
Step 14

HARDWARE

- I** C/board Screw $\varnothing 4 \times 38\text{mm}$ x6

COMPONENTS

- 15** Drawer Right x2
- 16** Drawer Left x2
- 17** Drawer Back x2
- 19** Drawer Support x2



Step 15

HARDWARE

K Cam Lock Ø15 x 9.9mm x6

COMPONENTS

14 Drawer Base x2

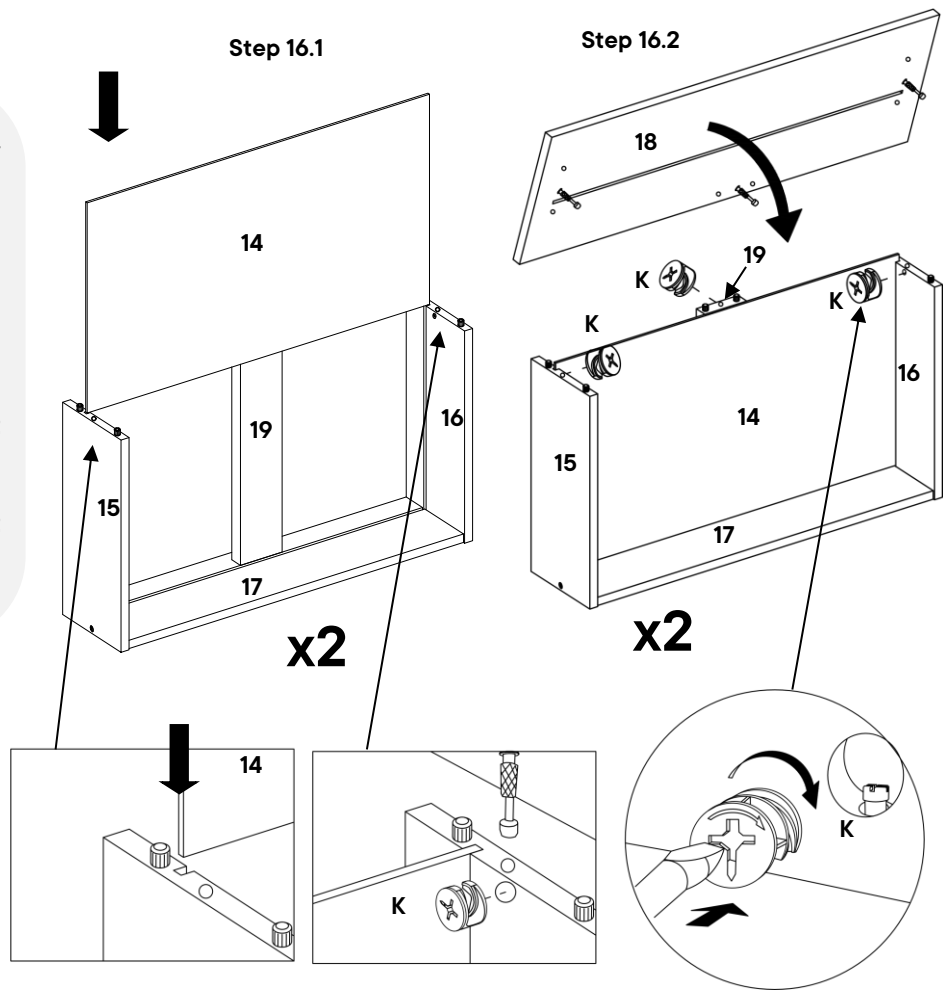
15 Drawer Right x2

16 Drawer Left x2

17 Drawer Back x2

18 Drawer Head x2

19 Drawer Support x2



Step 16

HARDWARE

F C/board Screw Ø3.5 x 16mm x12

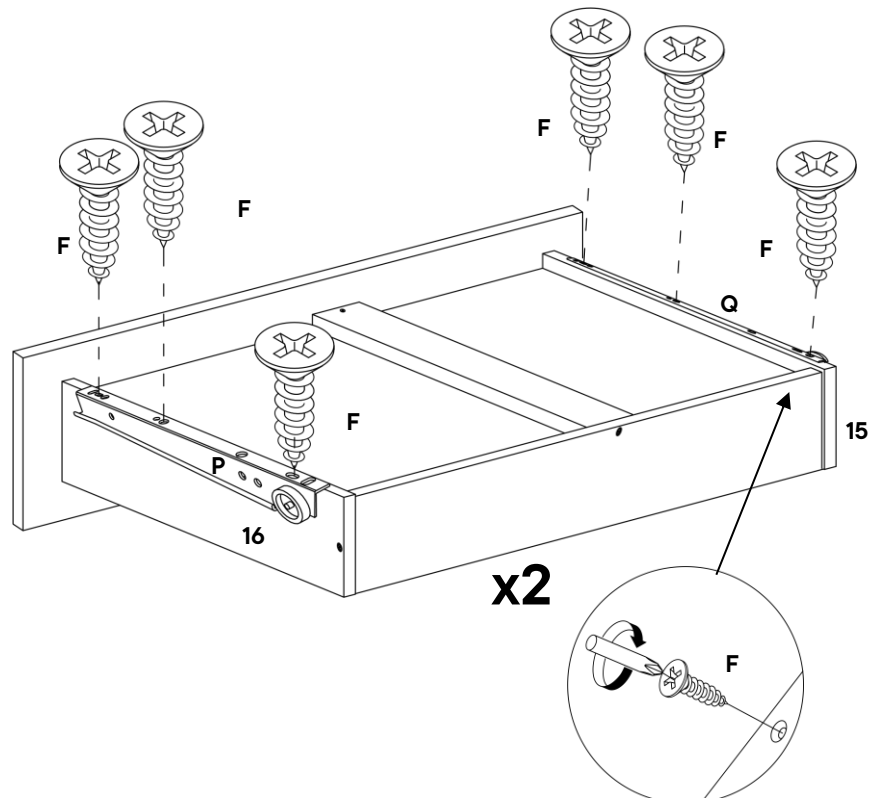
P Drawer Runner Left x2

Q Drawer Runner Right x2

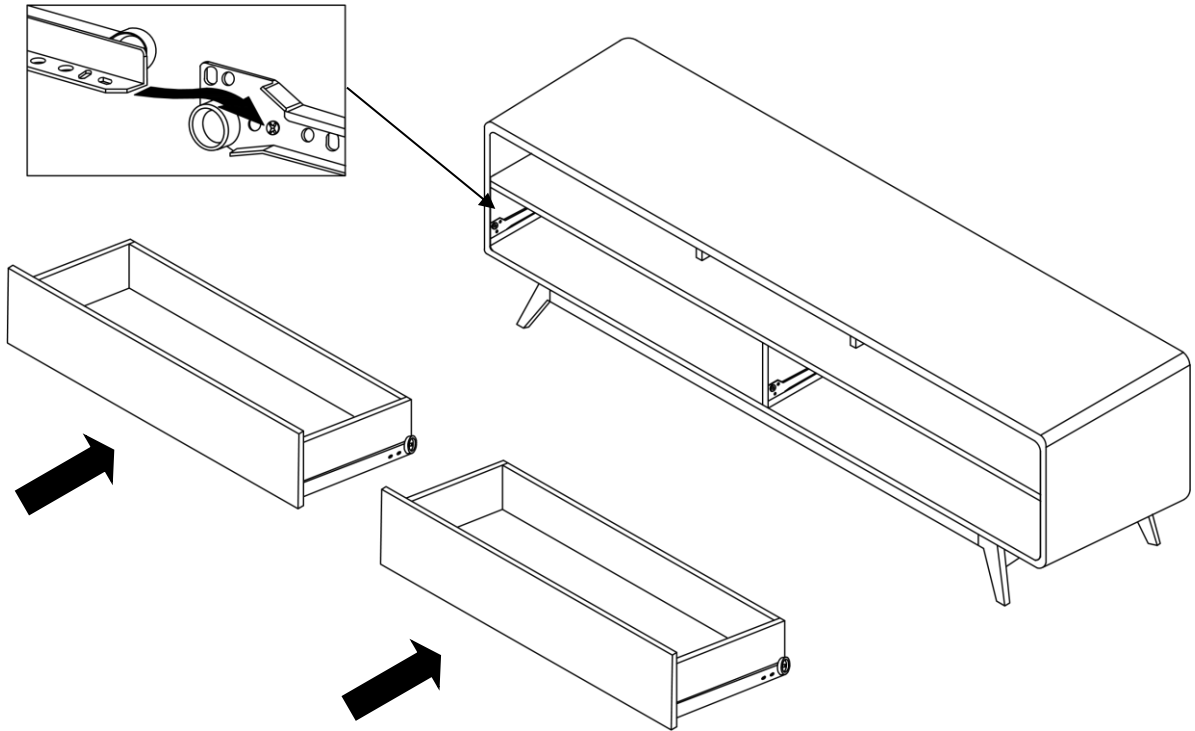
COMPONENTS

15 Drawer Right x2

16 Drawer Left x2



Step 17



Great job

Tv Stand assembly is complete.



CARING FOR YOUR ITEM

Indoor use only.

Not contract grade.

Clean using a non-abrasive cloth and a mild cleaner

Never use harsh chemicals, as they could damage the finish or integrity of the item.

CONNECT WITH US!   

Tag us @modway_furniture and #modway for a chance to be featured.

