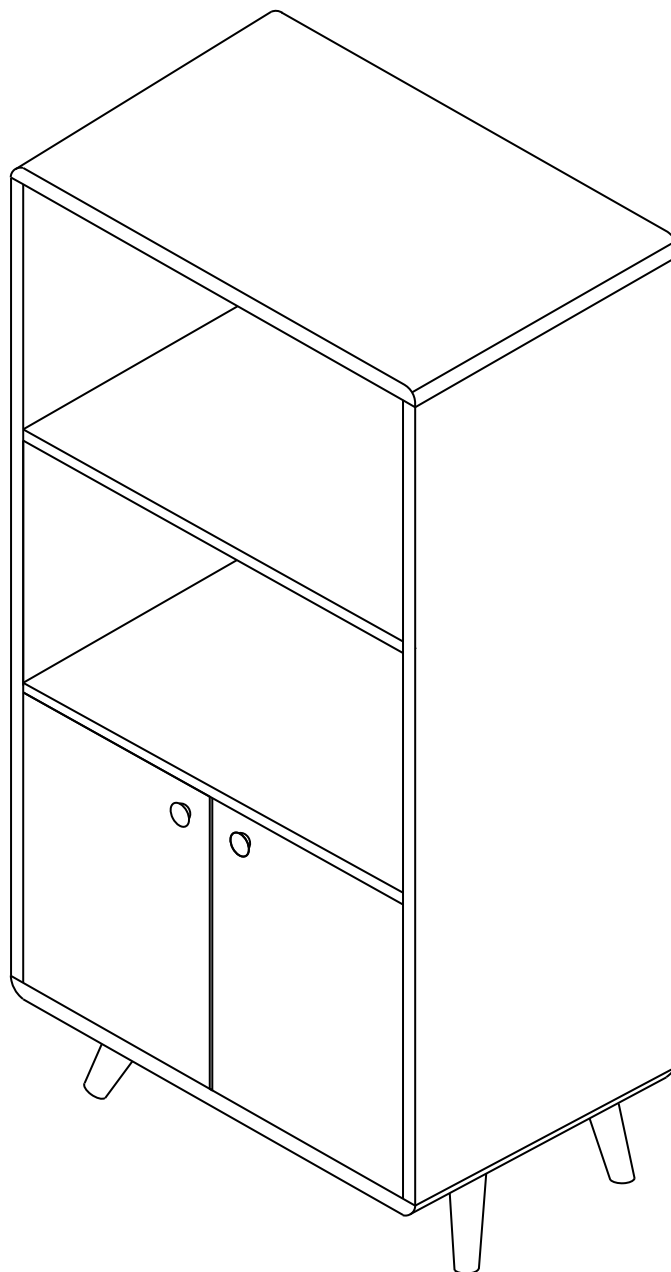


# ASSEMBLY INSTRUCTIONS

# EEI-6230

V1.12.30.22



## Questions? Contact us!

609.256.9000 • [cs@modway.com](mailto:cs@modway.com)

[www.modway.com](http://www.modway.com)

\*modway

# Let's get started!

\*modway



Read through all of the instructions before starting



Care instructions are listed in the last step of this manual



Approx. 60 minutes assembly time



Make sure you have all parts and components before discarding any packing materials



2 people recommended for assembly

**Only use hand tools to assemble this item.** Do not use power tools. Do not tighten bolts or screws completely until all hardware is lined up and inserted into the holes.

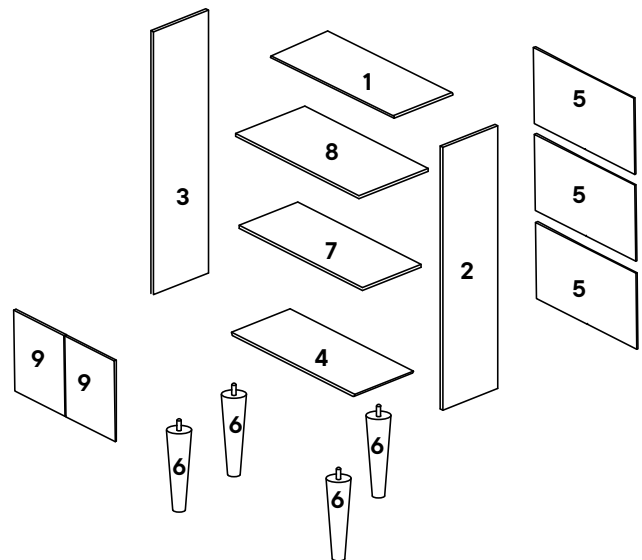
Do not over-tighten screws and bolts to avoid stripping the hardware or cracking the item.

Assemble your item on a flat, carpeted area, with plenty of space to work. This will prevent damage and scratches to your floors or the item while you're assembling the product.

Keep all components and packaging out of reach of children or animals to avoid risk of choking or suffocation.

## Furniture components:

1	Top Panel	x1
2	Right Side Panel	x1
3	Left Side Panel	x1
4	Bottom Panel	x1
5	Back Panel	x3
6	Cabinet Leg Dia180mm	x4
7	Fixed Shelf A	x1
8	Fixed Shelf B	x1
9	Doors	x2



## Provided hardware:

A		MS Screw Ø4 x 20mm	x2
B		Wooden Dowel Ø6 x 30mm	x16
C		Cam Lock Ø15 x 12mm	x16
D		Cam Bolt Ø6 x 32mm	x16
E		Handles Knobs	x2
F		C/board Screw Ø3.5 x 16mm	x26
G		Support Leg	x4
H		L Plate 2 Holes	x1
I		Plastic Corner Block	x12
J		C/board Screw Ø4 x 32mm	x16

## What you need:

K		C/board Screw Ø4 x 19mm	x12
L		Anti Tipping Kits	x1
M		Soft-Close Hinges 7/8	x4
N		Cam Lock Cap (1042)	x8

Phillips Head Screwdriver  
Phillip

**Wait!**

Missing parts or hardware? Need assistance?

Contact us before returning your item. We're here to help!  
609.256.9000 • cs@modway.com

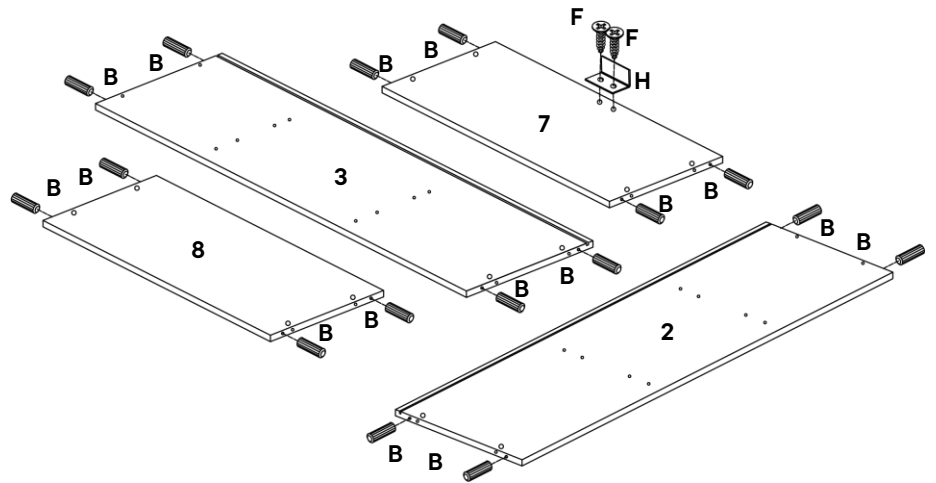
# Step 1

## HARDWARE

- B** Wooden Dowel  $\varnothing 6 \times 30\text{mm}$  x16
- F** C/board Screw  $\varnothing 3.5 \times 16\text{mm}$  x2
- H** L Plate 2 Holes x1

## COMPONENTS

- 2** Right Side Panel x1
- 3** Left Side Panel x1
- 7** Fixed Shelf A x1
- 8** Fixed Shelf B x1



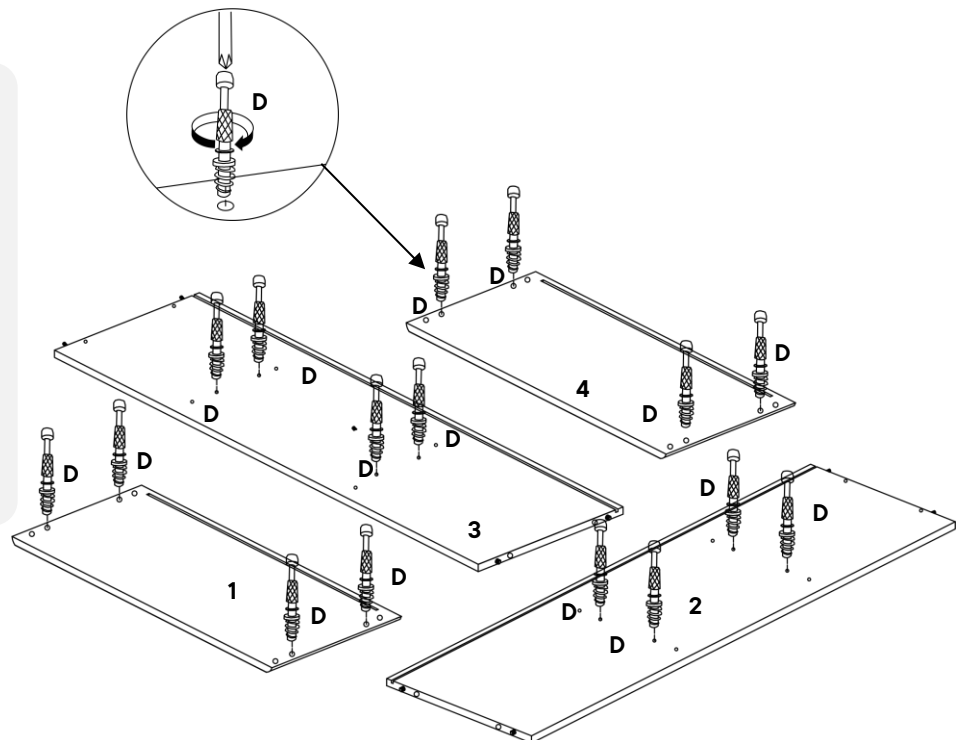
# Step 2

## HARDWARE

- D** Cam Bolt  $\varnothing 6 \times 32\text{mm}$  x16

## COMPONENTS

- 1** Top Panel x1
- 2** Right Side Panel x1
- 3** Left Side Panel x1
- 4** Bottom Panel x1



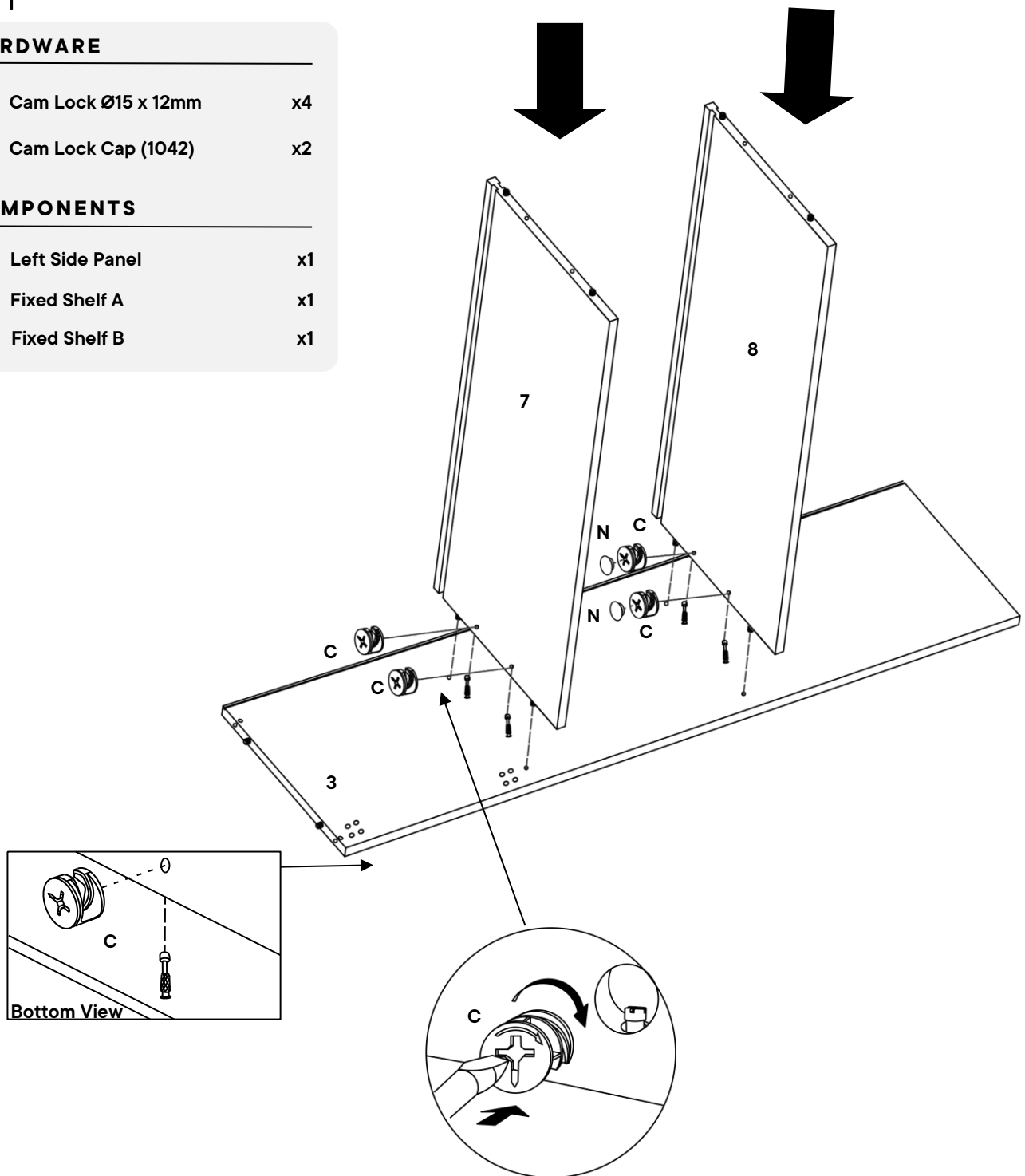
# Step 3

## HARDWARE

- C** Cam Lock Ø15 x 12mm x4
- N** Cam Lock Cap (1042) x2

## COMPONENTS

- 3** Left Side Panel x1
- 7** Fixed Shelf A x1
- 8** Fixed Shelf B x1



# Step 4

## Step 4.1

### HARDWARE

**C** Cam Lock  $\varnothing 15 \times 12\text{mm}$  x4

**N** Cam Lock Cap (1042) x2

### COMPONENTS

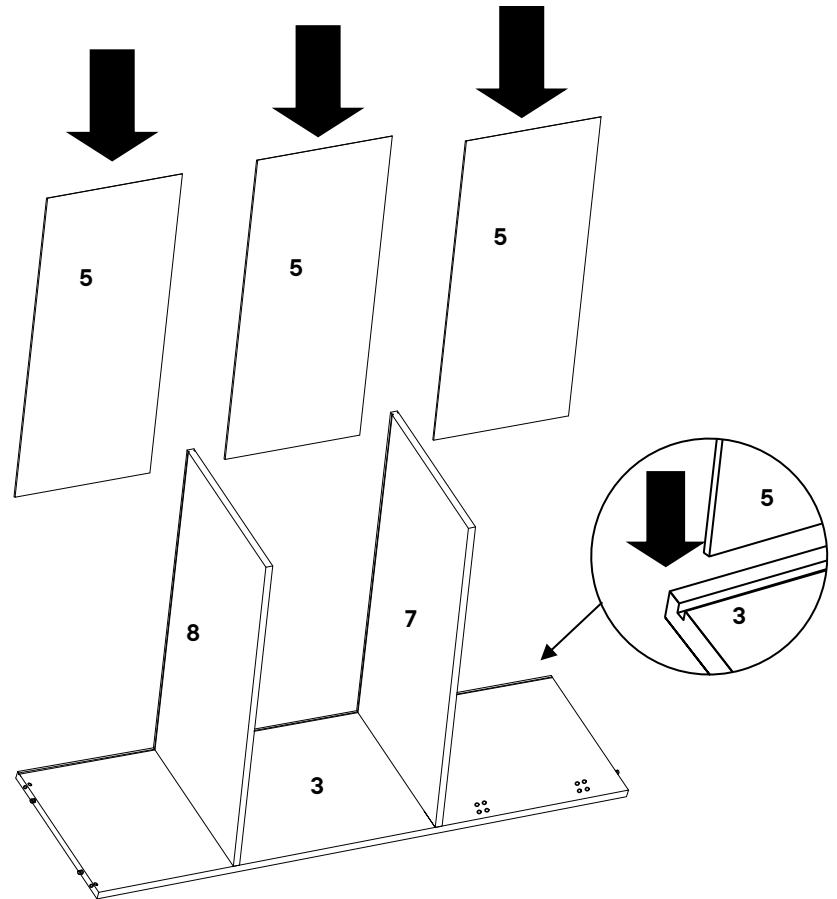
**2** Right Side Panel x1

**3** Left Side Panel x1

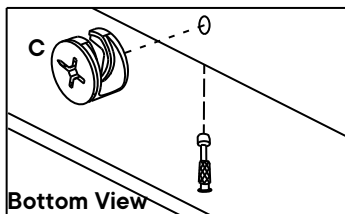
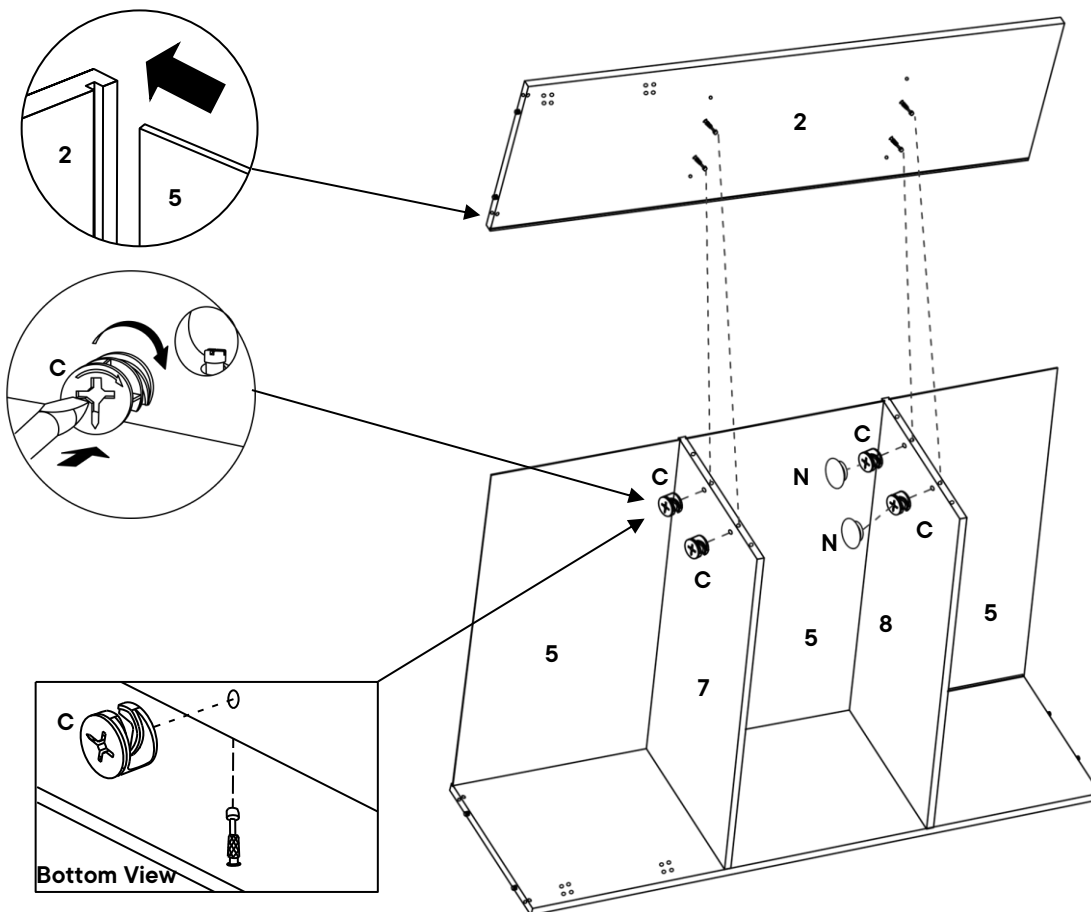
**5** Back Panel x3

**7** Fixed Shelf A x1

**8** Fixed Shelf B x1



## Step 4.2



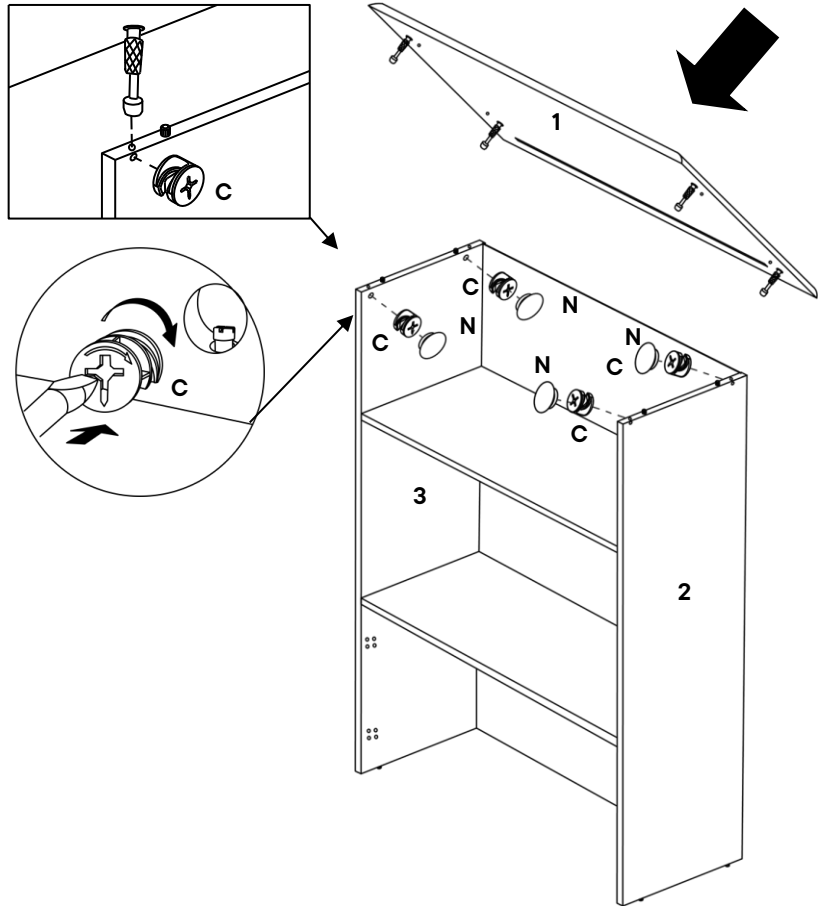
# Step 5

## HARDWARE

- C** Cam Lock Ø15 x 12mm x4
- N** Cam Lock Cap (1042) x4

## COMPONENTS

- 1** Top Panel x1
- 2** Right Side Panel x1
- 3** Left Side Panel x1



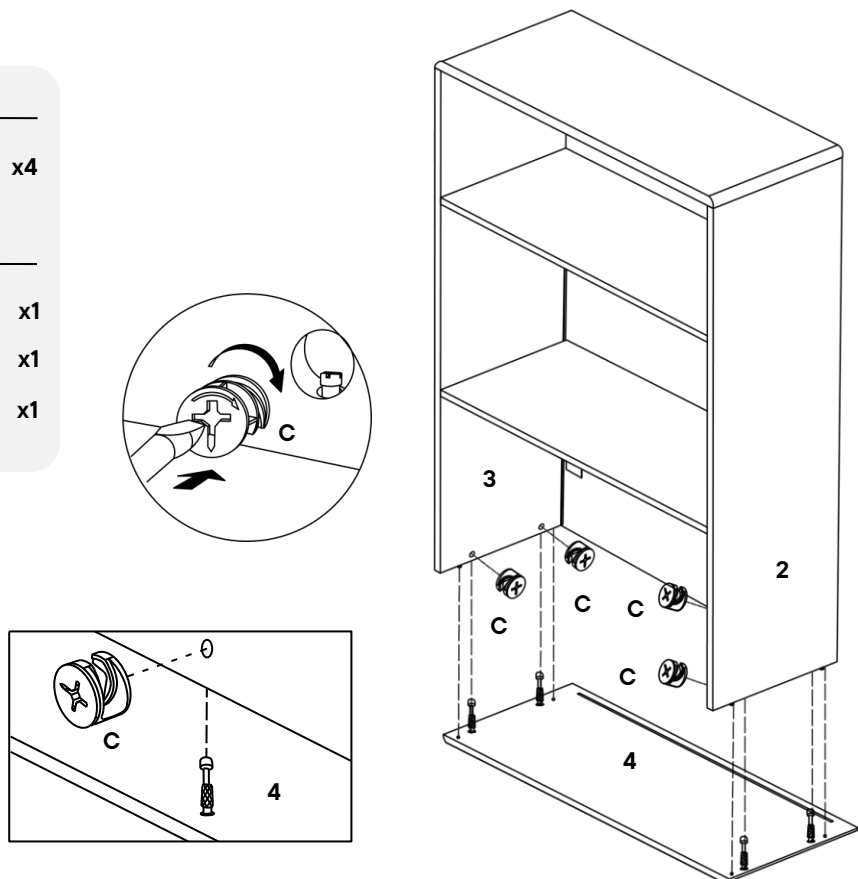
# Step 6

## HARDWARE

- C** Cam Lock Ø15 x 12mm x4

## COMPONENTS

- 2** Right Side Panel x1
- 3** Left Side Panel x1
- 4** Bottom Panel x1



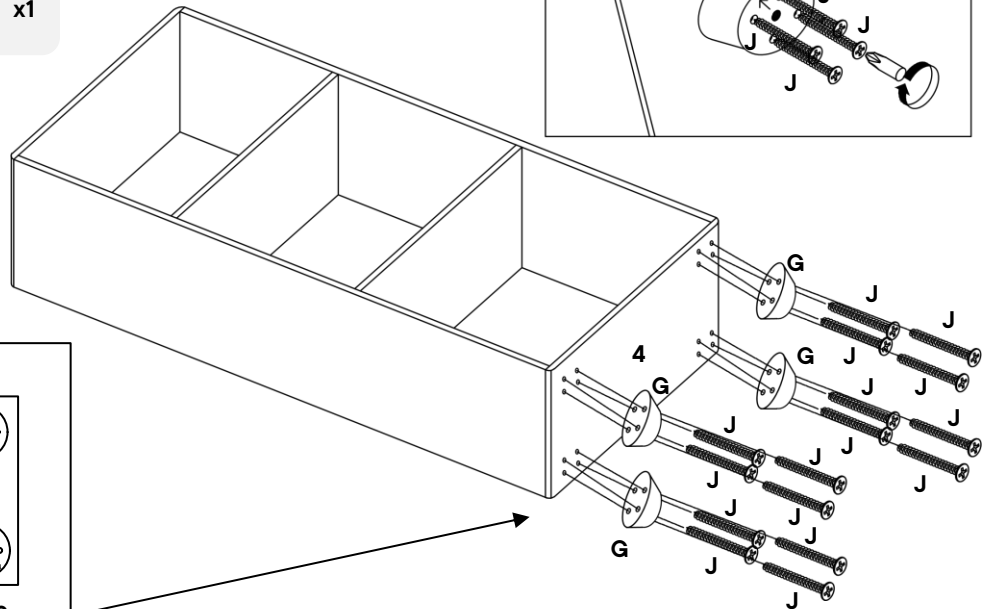
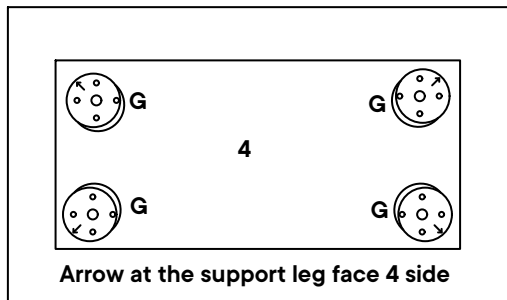
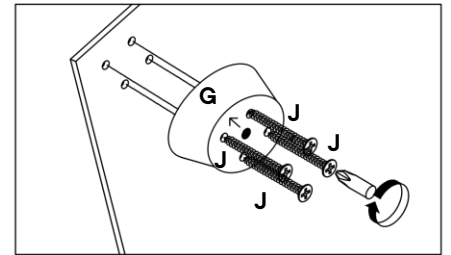
# Step 7

## HARDWARE

- G** Support Leg x4
- J** C/board Screw  $\varnothing 4 \times 32\text{mm}$  x16

## COMPONENTS

- 4** Bottom Panel x1



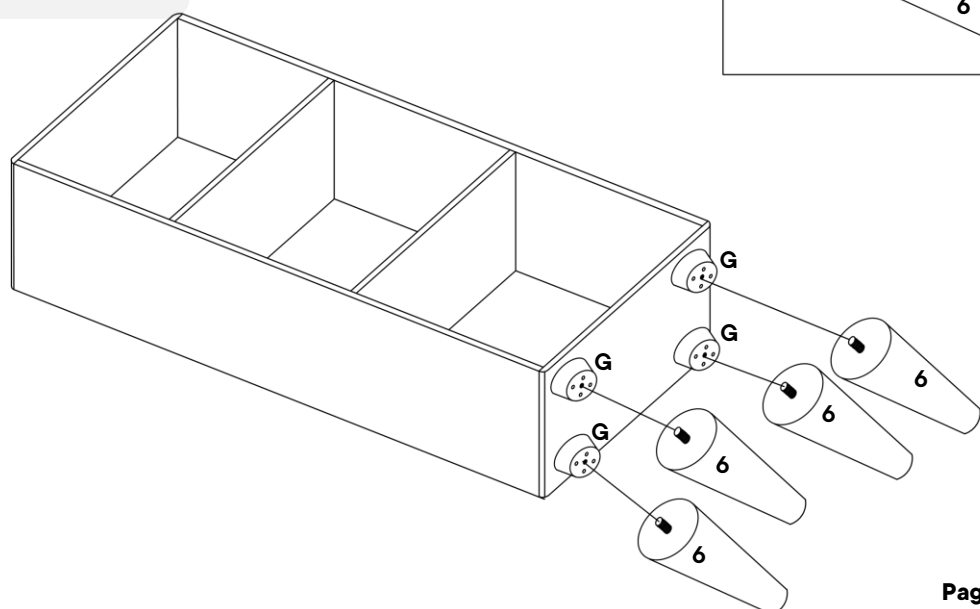
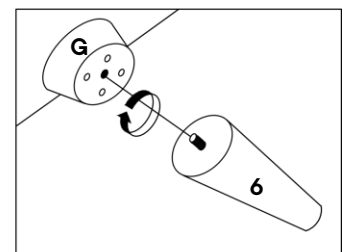
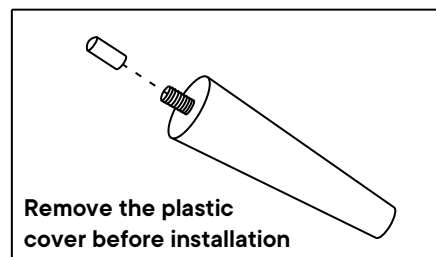
# Step 8

## HARDWARE

- G** Support Leg x4

## COMPONENTS

- 6** Cabinet Leg Dia180mm x4



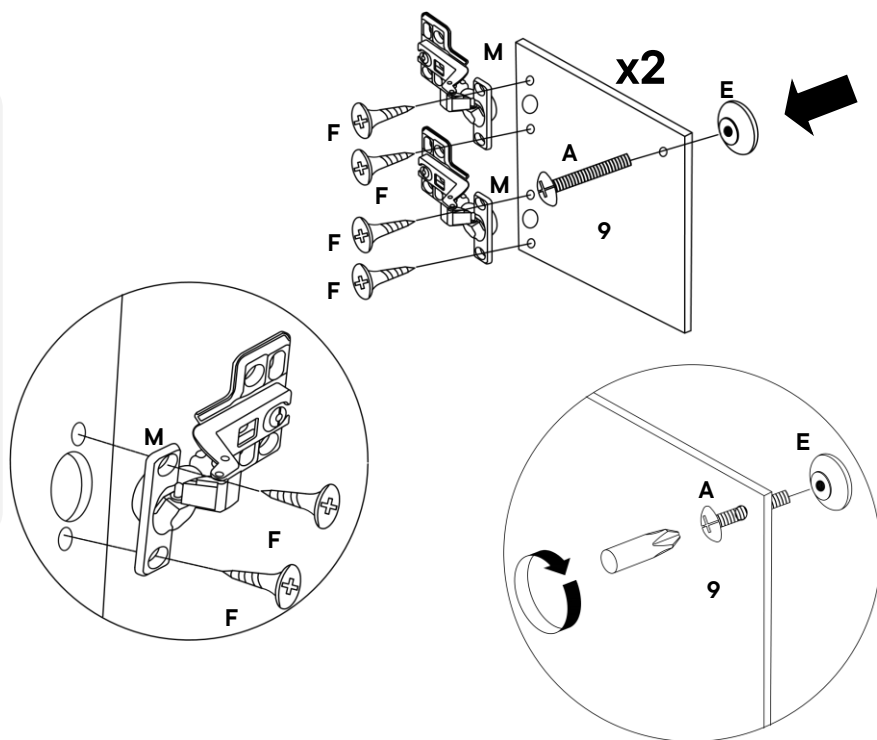
# Step 9

## HARDWARE

- A** MS Screw Ø4 x 20mm x2
- E** Handles Knobs x2
- F** C/board Screw Ø3.5 x 16mm x8
- M** Soft Closing Hinges 7/8 x4

## COMPONENTS

- 9** Doors x2



# Step 10

## HARDWARE

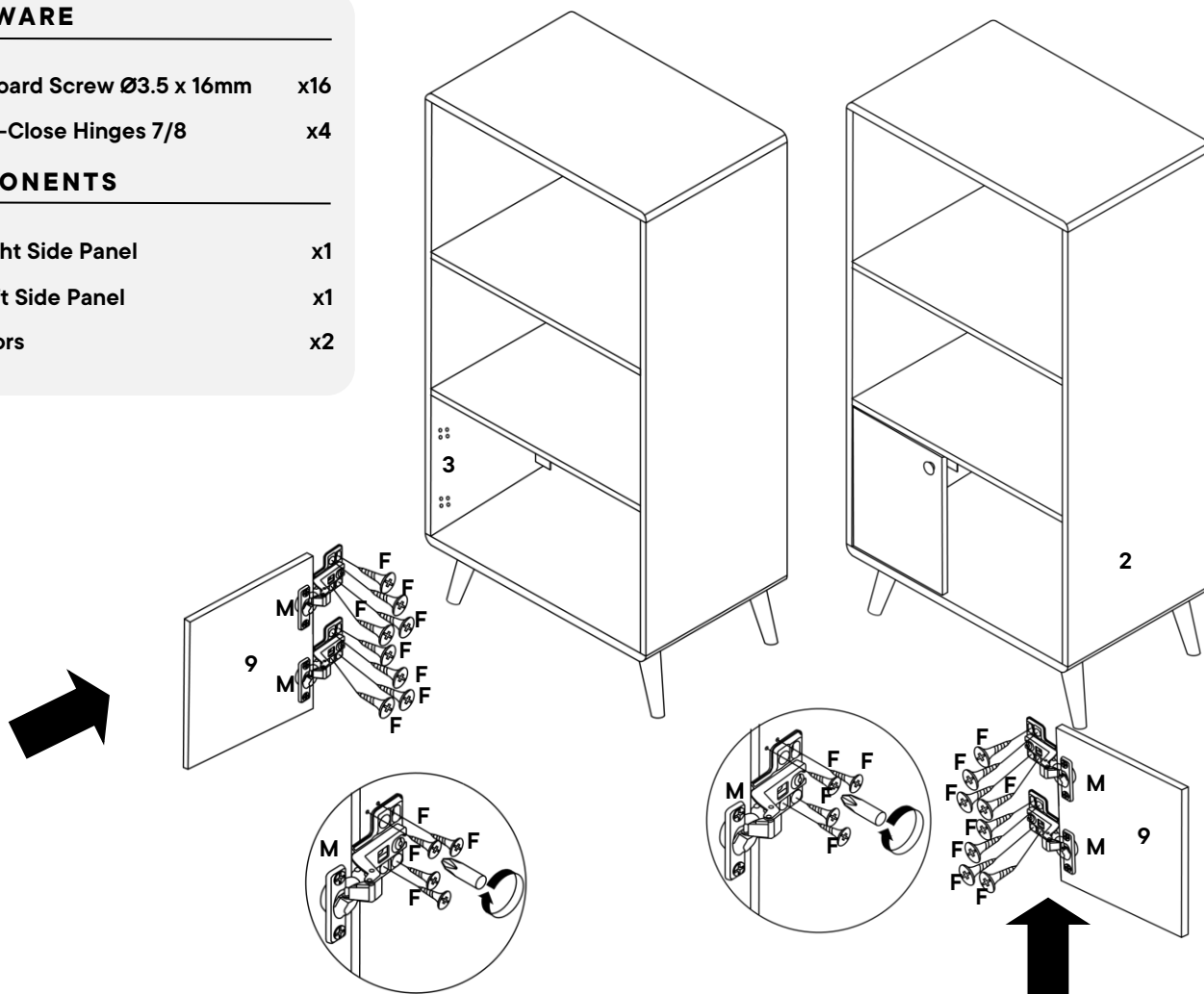
- F** C/board Screw Ø3.5 x 16mm x16
- M** Soft-Close Hinges 7/8 x4

## COMPONENTS

- 2** Right Side Panel x1
- 3** Left Side Panel x1
- 9** Doors x2

Step 10.1

Step 10.2





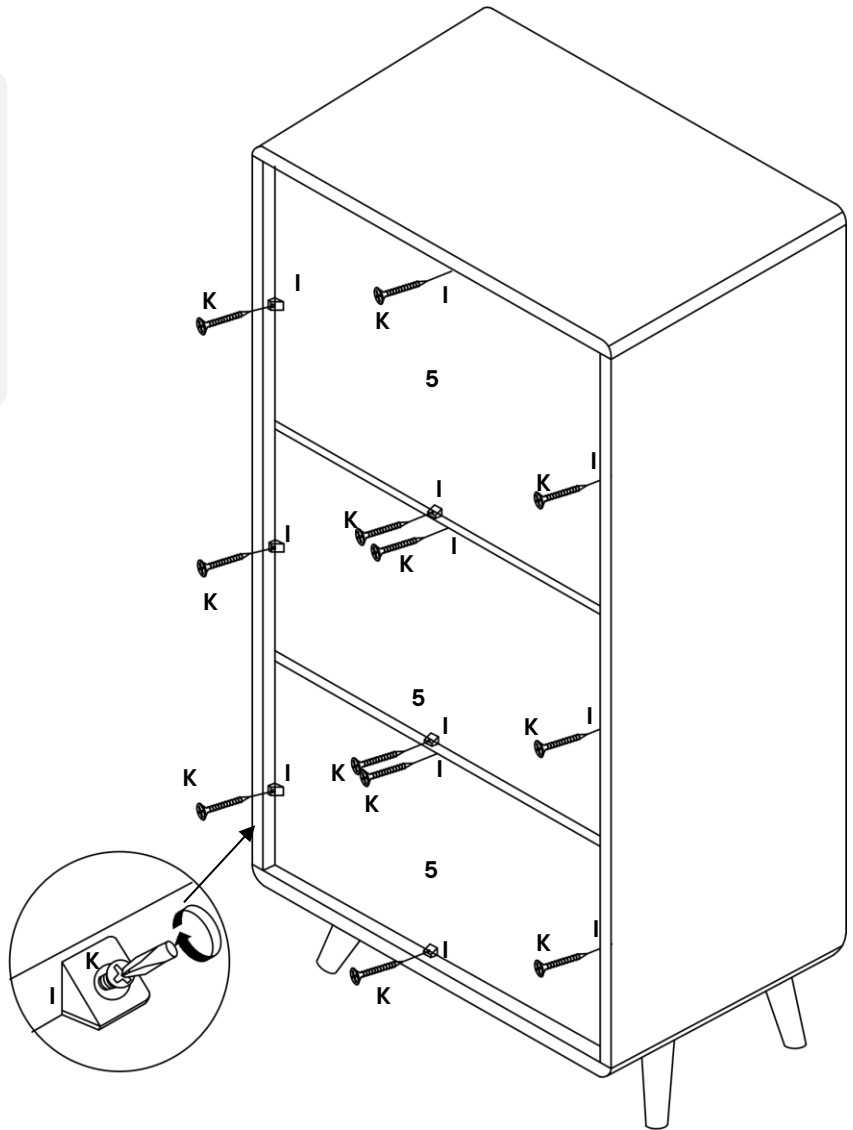
# Step 11

## HARDWARE

- I** Plastic Corner Block x12
- K** C/board Screw  $\varnothing 4 \times 19\text{mm}$  x12

## COMPONENTS

- 5** Back Panel x3



# Great job

Bookshelf assembly is complete.



## CARING FOR YOUR ITEM

Indoor use only.

Not contract grade.

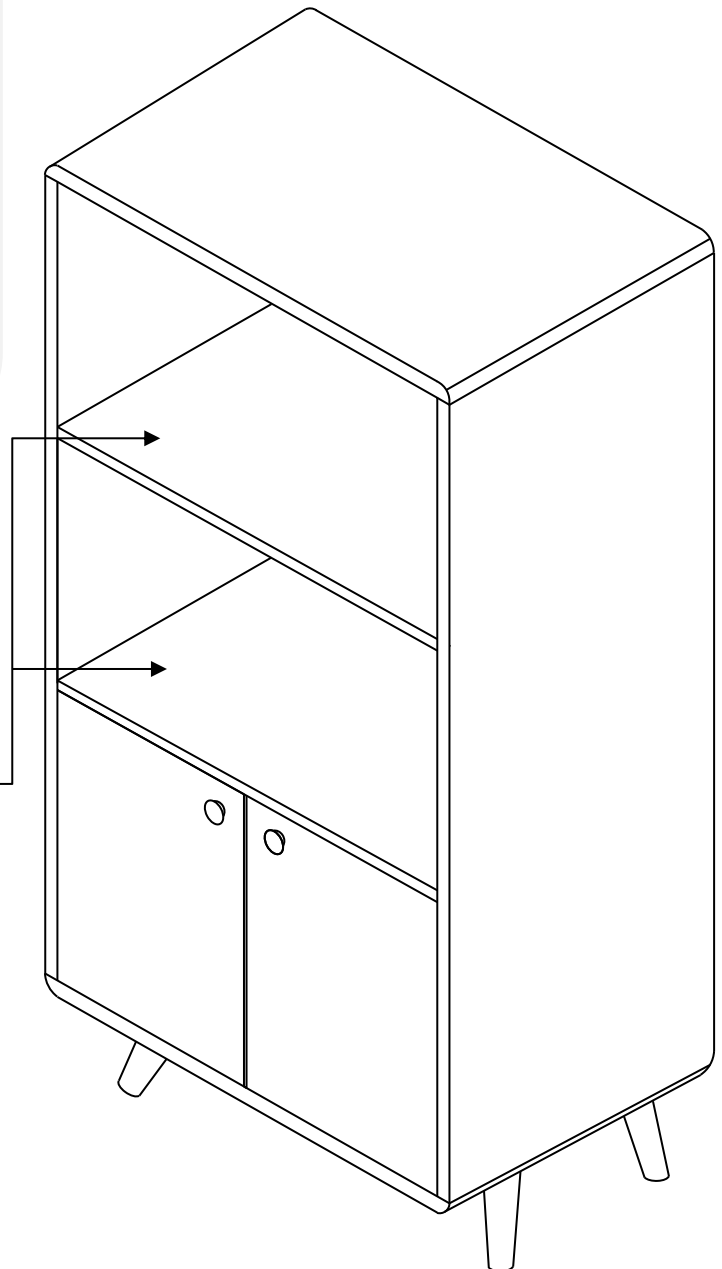
Clean using a non-abrasive cloth and a mild cleaner

Never use harsh chemicals, as they could damage the finish or integrity of the item.

CONNECT WITH US!   

Tag us @modway\_furniture and #modway for a chance to be featured.

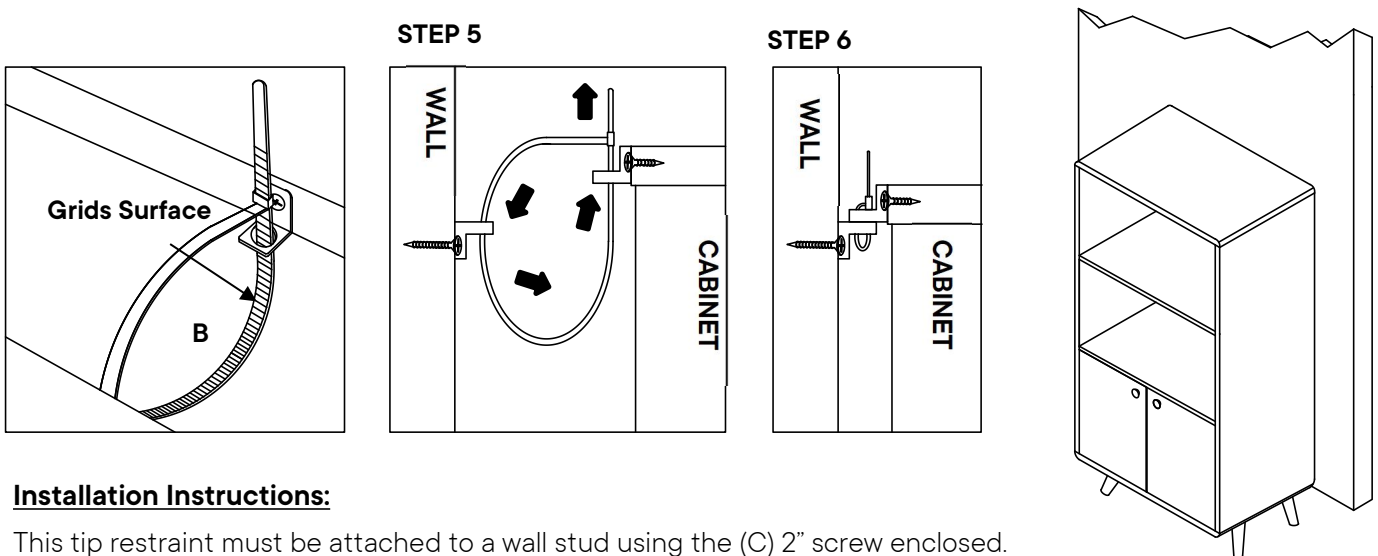
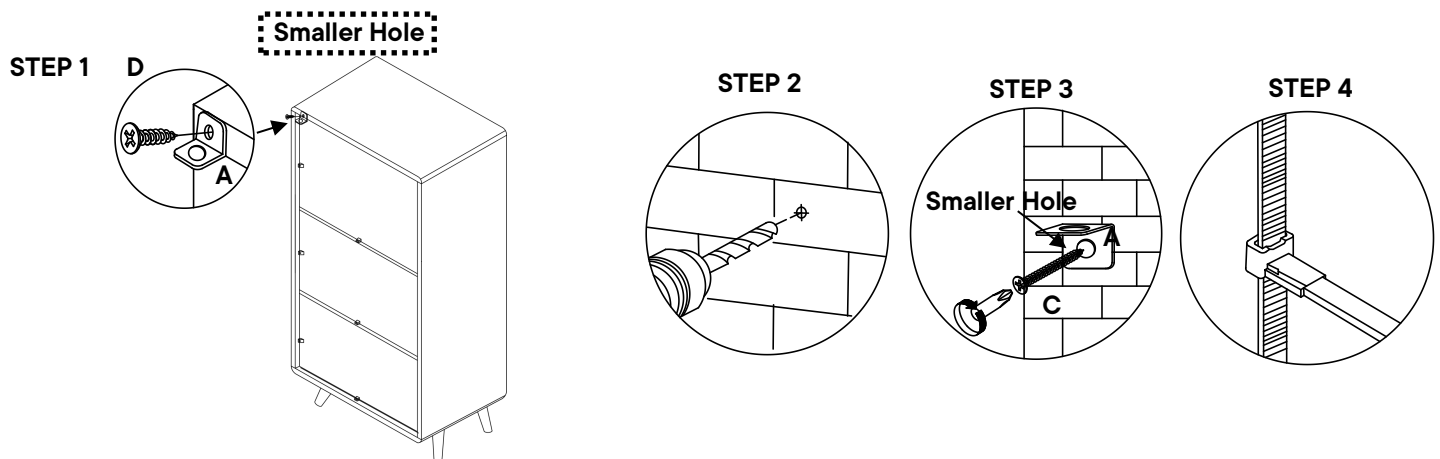
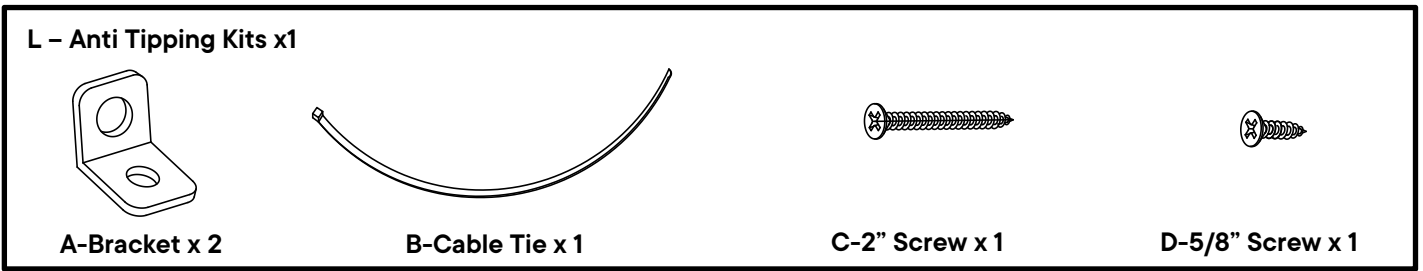
Max : 66lbs /30kg



# TIPPING RESTRAINTS KIT INSTALLATION GUIDANCE

Different wall materials require unique wall fasteners.

Please consult your local hardware store to ensure you are using the correct hardware for your wall type



**Installation Instructions:**

This tip restraint must be attached to a wall stud using the (C) 2" screw enclosed.

1. Attach a bracket (A) securely to the back top rail of the furniture using the 5/8" screw (D) provided, through the smaller hole.
2. Locate the other bracket (A) on the wall over a wall stud and 2 inches below the mounting bracket secured to the back of your unit. Attach to the wall stud using the (C) 2" screw provided, through the smaller hole.
3. Place the furniture into position so both mounting brackets are vertically in line.
4. Lace the end of the restraint strap (B) through the larger hole in each mounting bracket. Bring both ends together and slide the flat end through the locking end and draw it through until all slack is removed.
5. Confirm that the strap (B) is securely laced and locked.