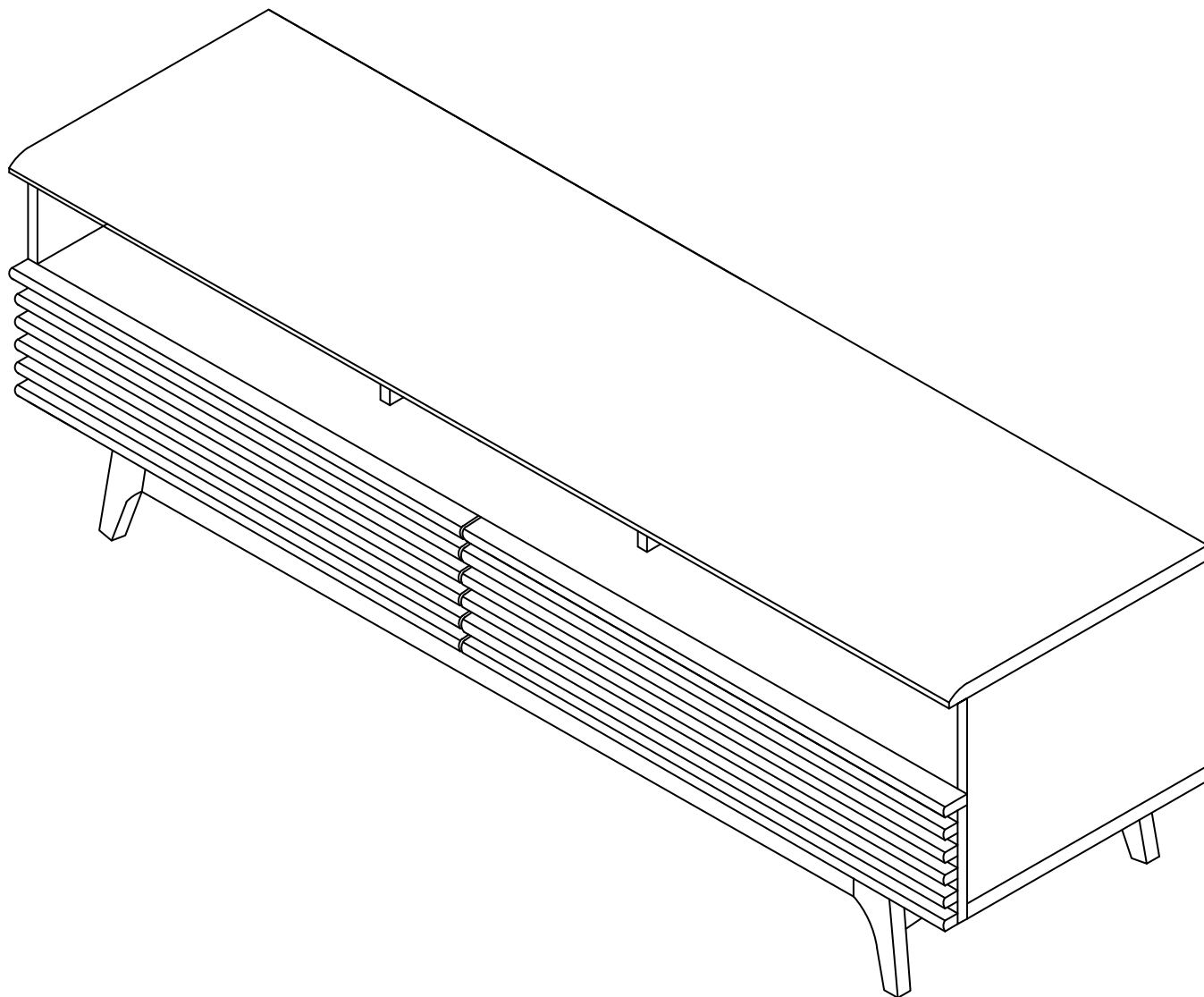


ASSEMBLY INSTRUCTIONS

EEI-6228

V1. 12.29.22



Questions? Contact us!

609.256.9000 • cs@modway.com

www.modway.com

*modway

Let's get started!

*modway



Read through all of the instructions before starting



Care instructions are listed in the last step of this manual



Approx. 60 minutes assembly time



Make sure you have all parts and components before discarding any packing materials



2 people recommended for assembly

Only use hand tools to assemble this item. Do not use power tools. Do not tighten bolts or screws completely until all hardware is lined up and inserted into the holes.

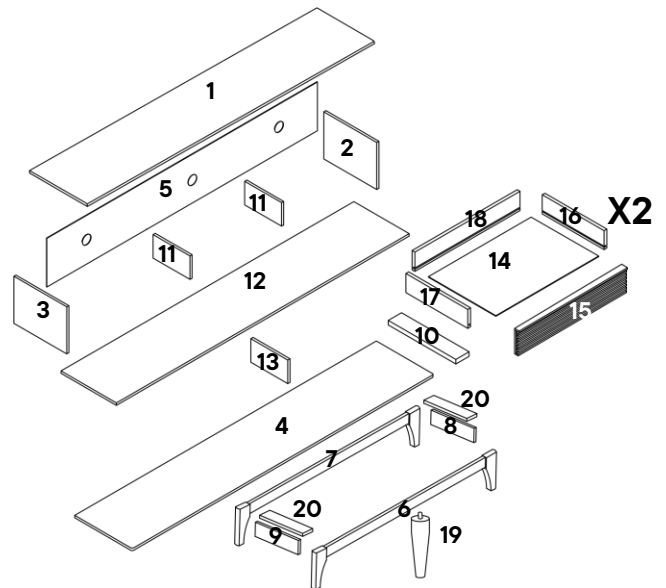
Do not over-tighten screws and bolts to avoid stripping the hardware or cracking the item.

Assemble your item on a flat, carpeted area, with plenty of space to work. This will prevent damage and scratches to your floors or the item while you're assembling the product.

Keep all components and packaging out of reach of children or animals to avoid risk of choking or suffocation.

Furniture components:

1	Top Panel	x1	11	Body Support Top	x2
2	Right Side Panel	x1	12	Fixed Shelf	x1
3	Left Side Panel	x1	13	Body Support Bottom	x1
4	Bottom Panel	x1	14	Drawer Base	x2
5	Back Panel	x1	15	Drawer Head	x2
6	Front Leg Panel	x1	16	Drawer Right	x2
7	Back Leg Panel	x1	17	Drawer Left	x2
8	Right Leg Panel	x1	18	Drawer Back	x2
9	Left Leg Panel	x1	19	Center Leg	x1
10	Drawer Support	x2	20	Support Leg	x2



Provided hardware:

A	JCBC M6 x 80mm	x2	K	C/board Screw Ø4 x 38mm	x6
B	Wooden Dowel Ø6 x 30mm	x68	L	Hole Plug 15mm	x8
C	Cam Lock Ø15 x 12mm	x18	M	Allen Key	x1
D	Cam Bolt Ø6 x 32mm	x24	N	Drawer Runner Right	x2
E	Floor Glide B321	x4	O	C/board Runner Left	x2
F	C/board Screw Ø3.5 x 16mm	x28	P	C/board Runner Right	x2
G	JCBCW M6 x 50mm	x6	Q	Drawer Runner Left	x2
H	JCBC M6 x 60mm	x6	R	C/board Screw Ø3.5 x 20mm	x4
I	Cam Lock Ø12 x 9.9mm	x6			
J	Metal Plate	x1			

What you need:

Phillips Head Screwdriver
Phillip

Wait!

Missing parts or hardware? Need assistance?

Contact us before returning your item. We're here to help!
609.256.9000 • cs@modway.com

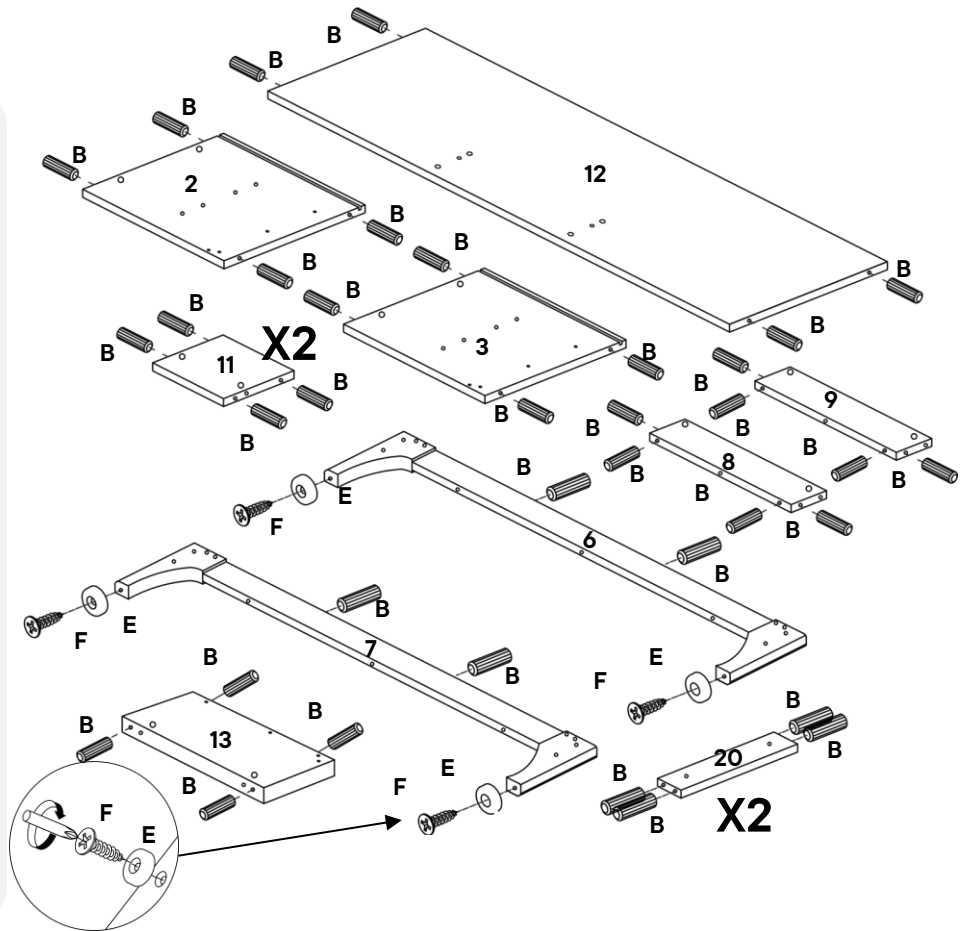
Step 1

HARDWARE

- B** Wooden Dowel Ø6 x 30mm x44
- E** Floor Glide B321 x4
- F** C/board Screw Ø3.5 x 16mm x4

COMPONENTS

- 2** Right Side Panel x1
- 3** Left Side Panel x1
- 6** Front Leg Panel x1
- 7** Back Leg Panel x1
- 8** Right Leg Panel x1
- 9** Left Leg Panel x1
- 11** Body Support Top x2
- 12** Fixed Shelf x1
- 13** Body Support Bottom x1
- 20** Leg Support x2



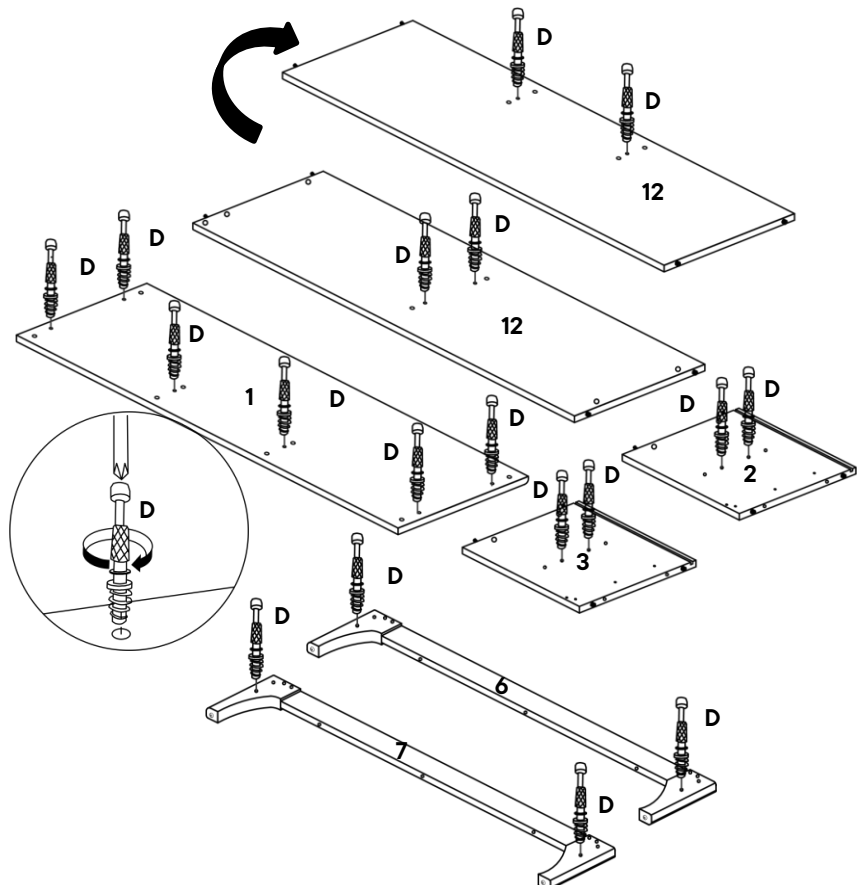
Step 2

HARDWARE

- D** Cam Bolt Ø6 x 32mm x18

COMPONENTS

- 1** Top Panel x1
- 2** Right Side Panel x1
- 3** Left Side Panel x1
- 6** Front Leg Panel x1
- 7** Back Leg Panel x1
- 12** Fixed Shelf x1



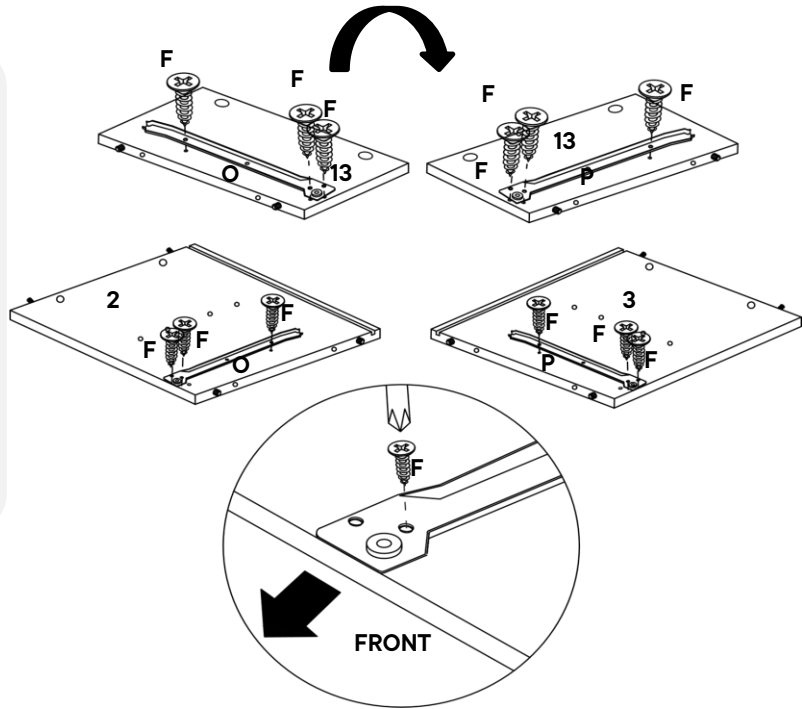
Step 3

HARDWARE

- F** C/board Screw Ø3.5 x 16mm x12
- O** C/board Runner Left x2
- P** C/board Runner Right x2

COMPONENTS

- 2** Right Side Panel x1
- 3** Left Side Panel x1
- 13** Body Support Bottom x1



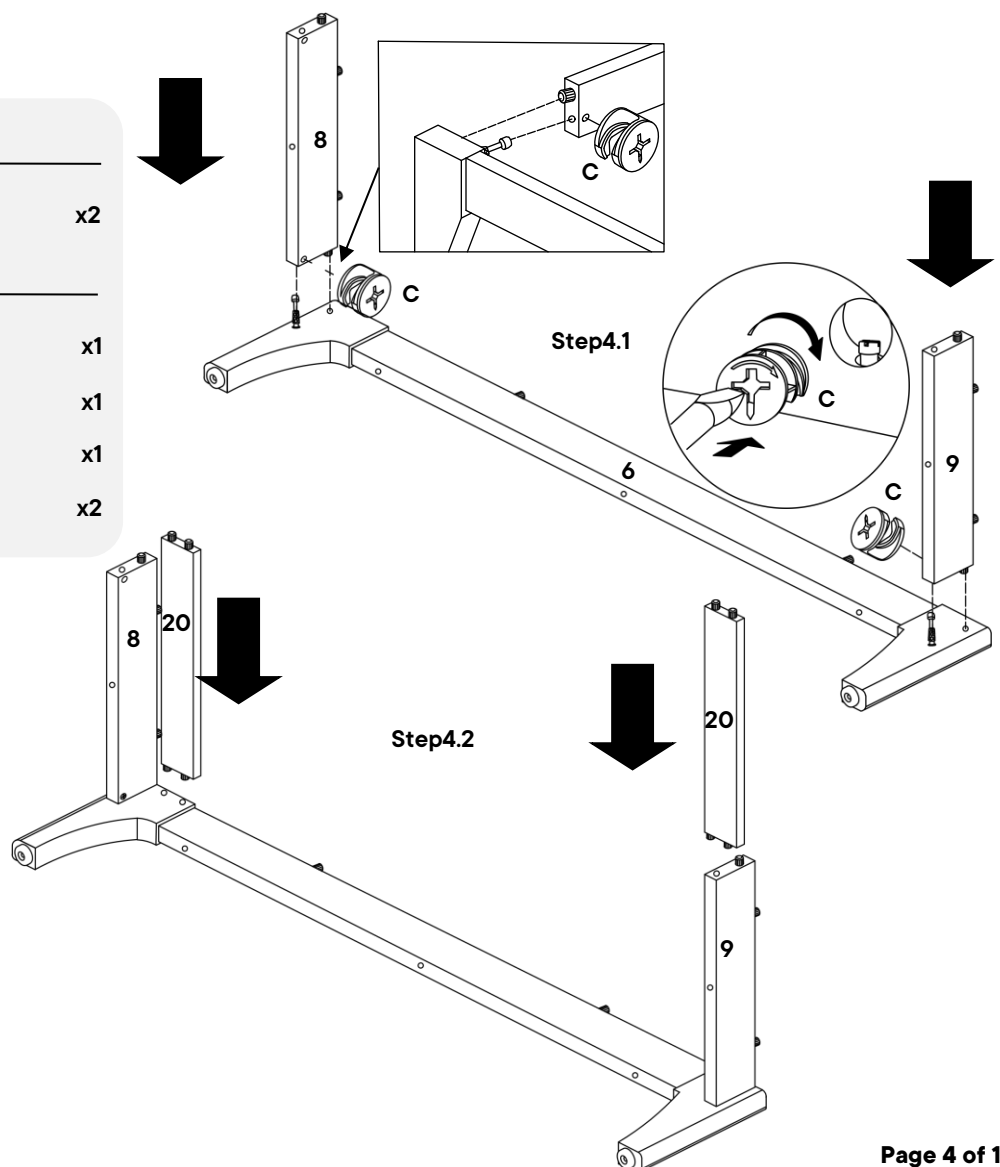
Step 4

HARDWARE

- C** Cam Lock Ø15 x 12mm x2

COMPONENTS

- 6** Front Leg Panel x1
- 8** Right Leg Panel x1
- 9** Left Leg Panel x1
- 20** Support Leg x2



Step 5

HARDWARE

C Cam Lock Ø15 x 12mm x2

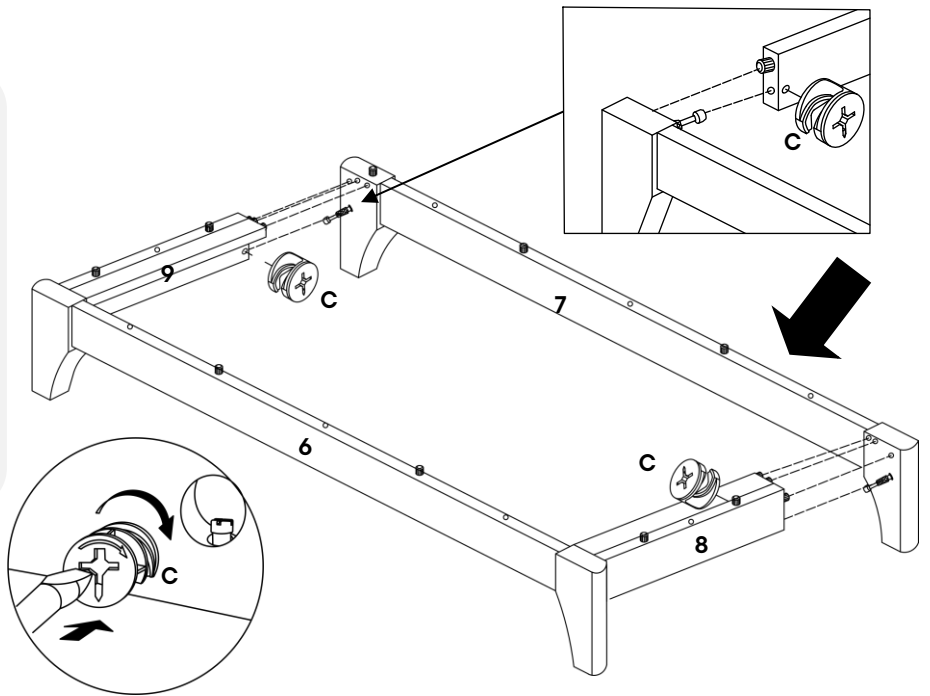
COMPONENTS

6 Front Leg Panel x1

7 Back Leg Panel x1

8 Right Leg Panel x1

9 Left Leg Panel x1



Step 6

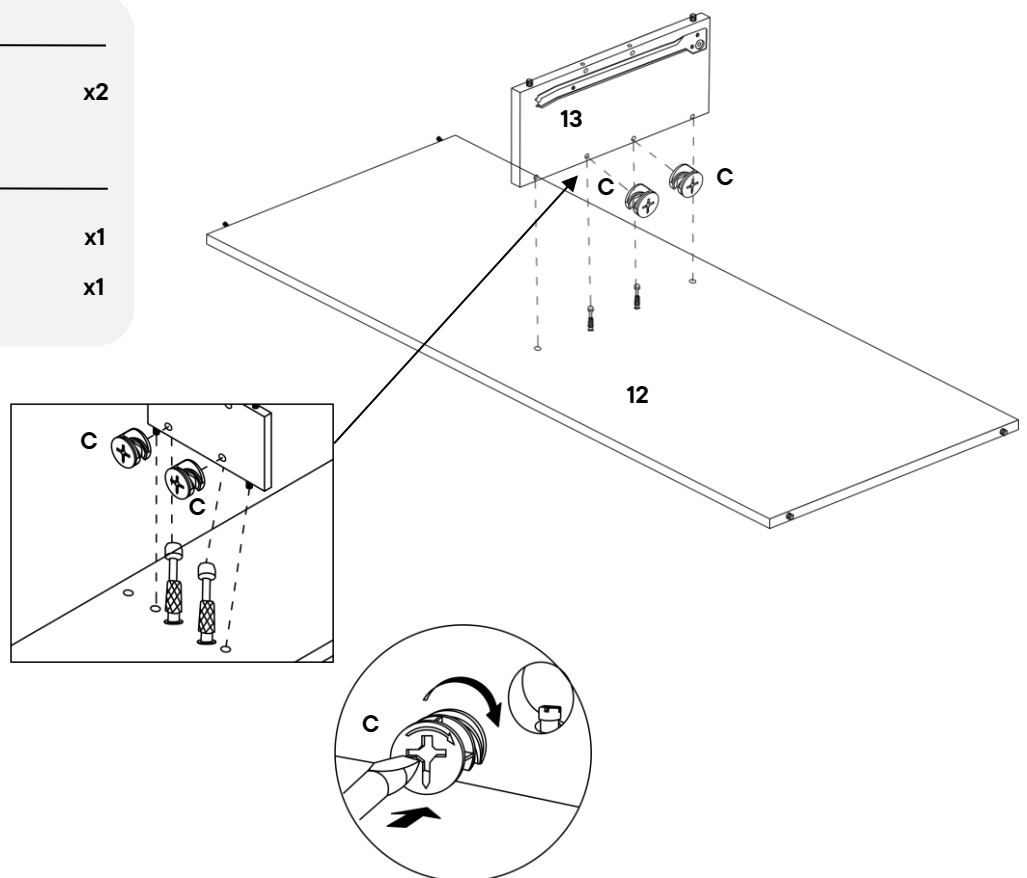
HARDWARE

C Cam Lock Ø15 x 12mm x2

COMPONENTS

12 Fixed Shelf x1

13 Body Support Bottom x1



Step 7

HARDWARE

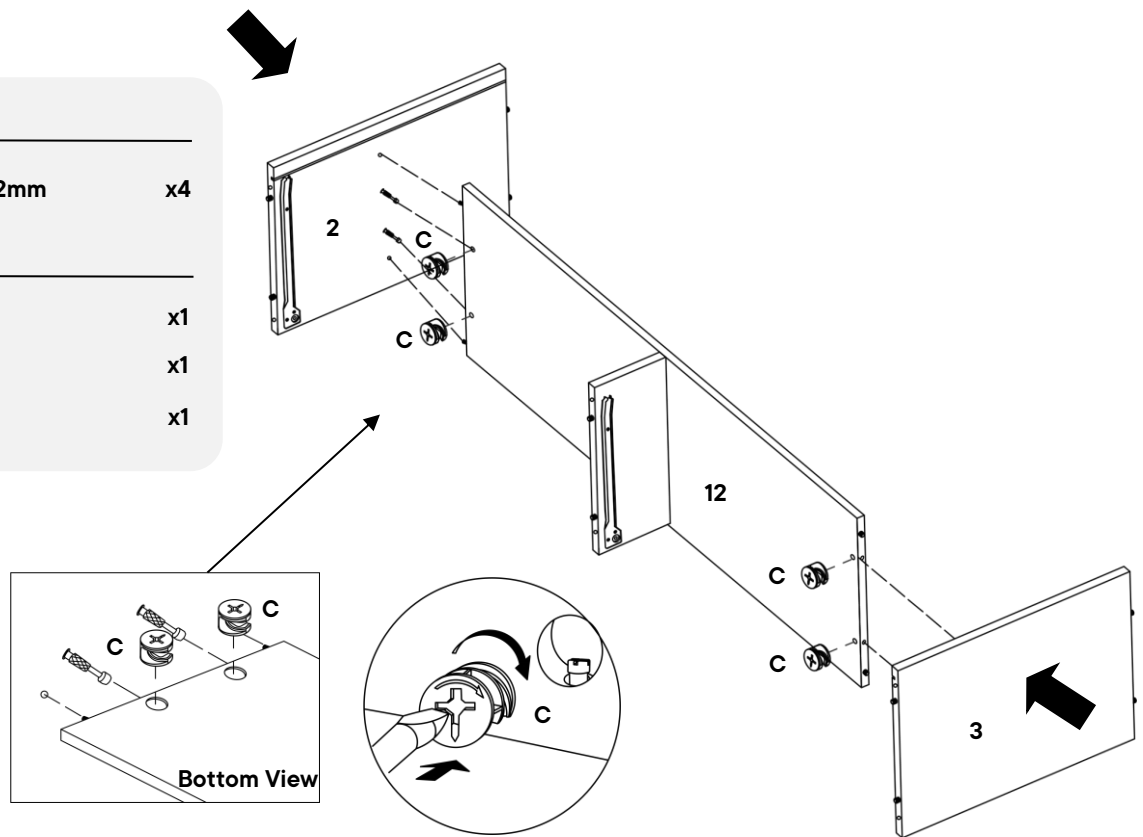
C Cam Lock Ø15 x 12mm x4

COMPONENTS

2 Right Side Panel x1

3 Left Side Panel x1

12 Fixed Shelf x1



Step 8

HARDWARE

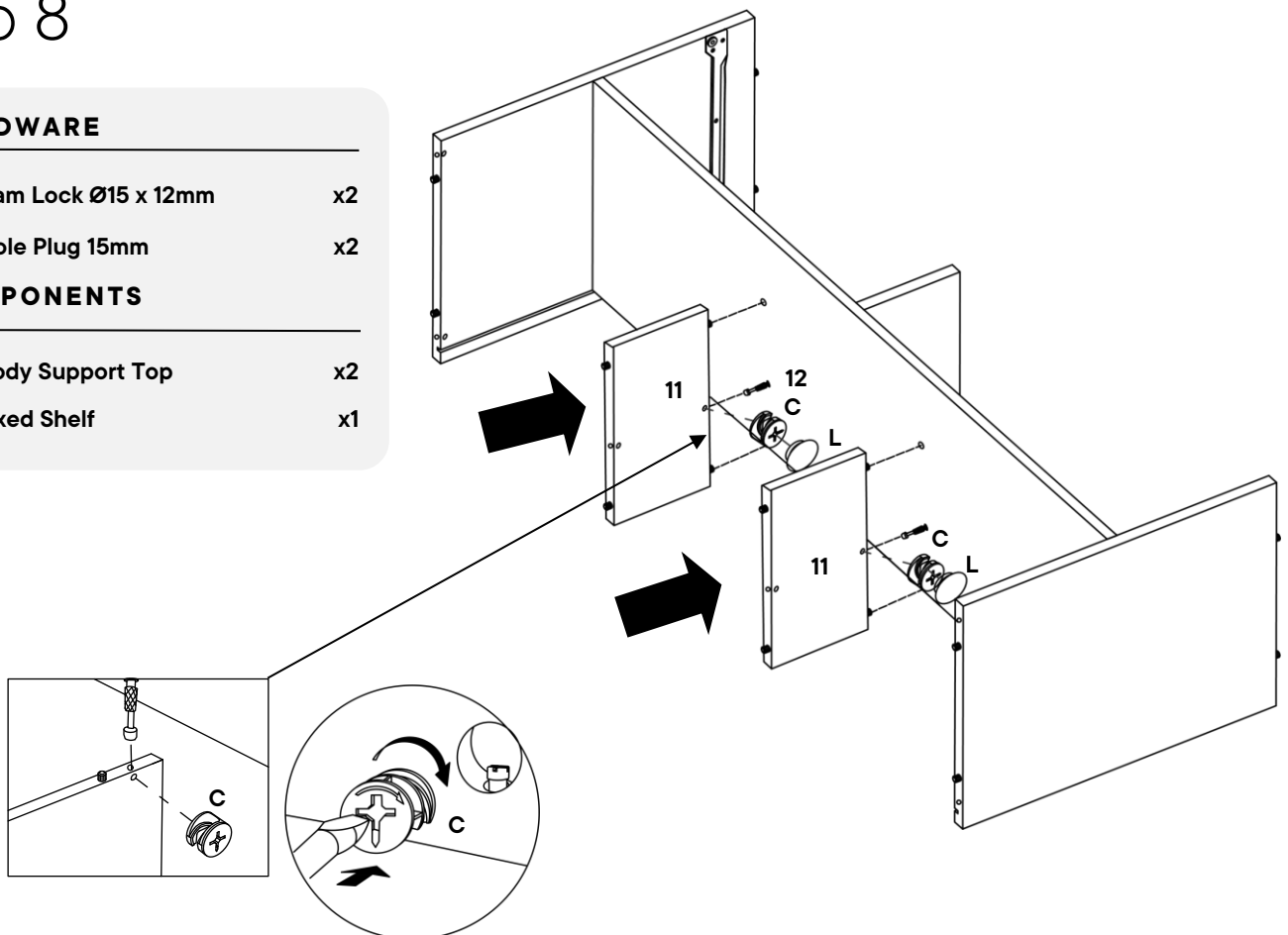
C Cam Lock Ø15 x 12mm x2

L Hole Plug 15mm x2

COMPONENTS

11 Body Support Top x2

12 Fixed Shelf x1



Step 9

HARDWARE

C Cam Lock Ø15 x 12mm x6

L Hole Plug 15mm x6

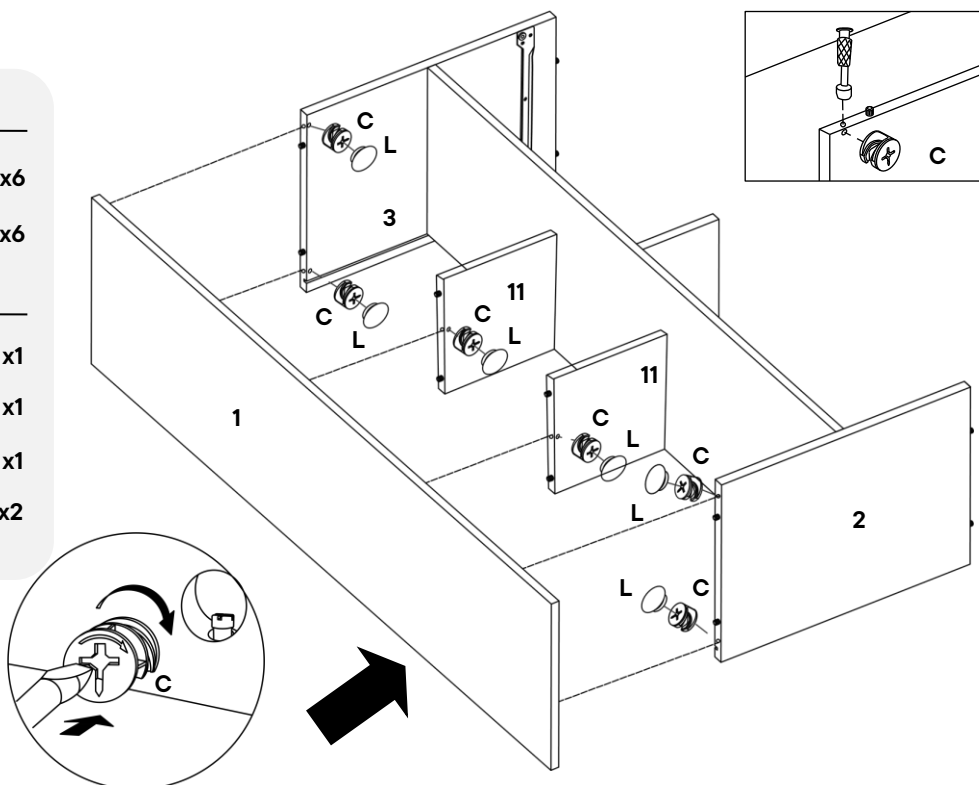
COMPONENTS

1 Top Panel x1

2 Right Side Panel x1

3 Left Side Panel x1

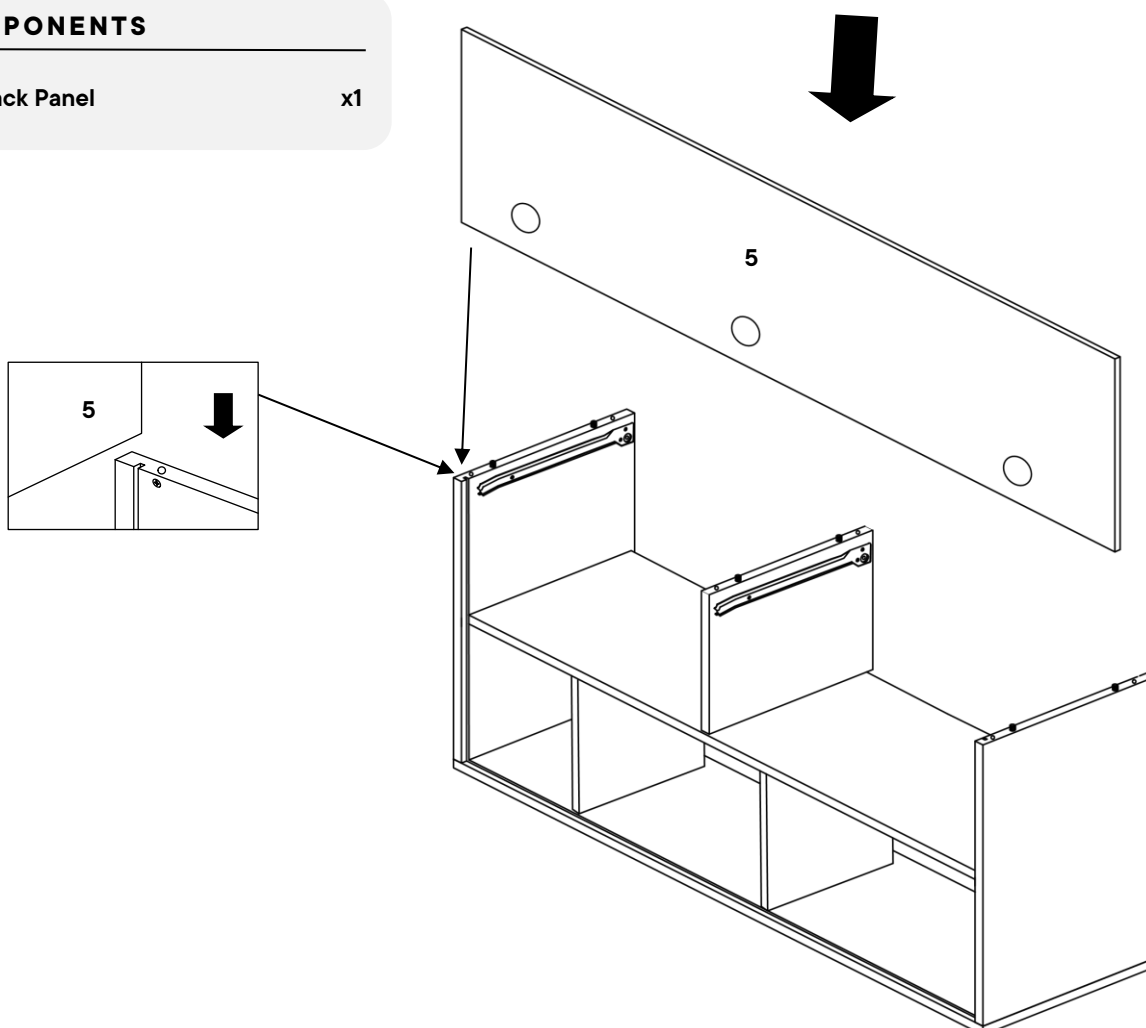
11 Body Support Top x2



Step 10

COMPONENTS

5 Back Panel x1



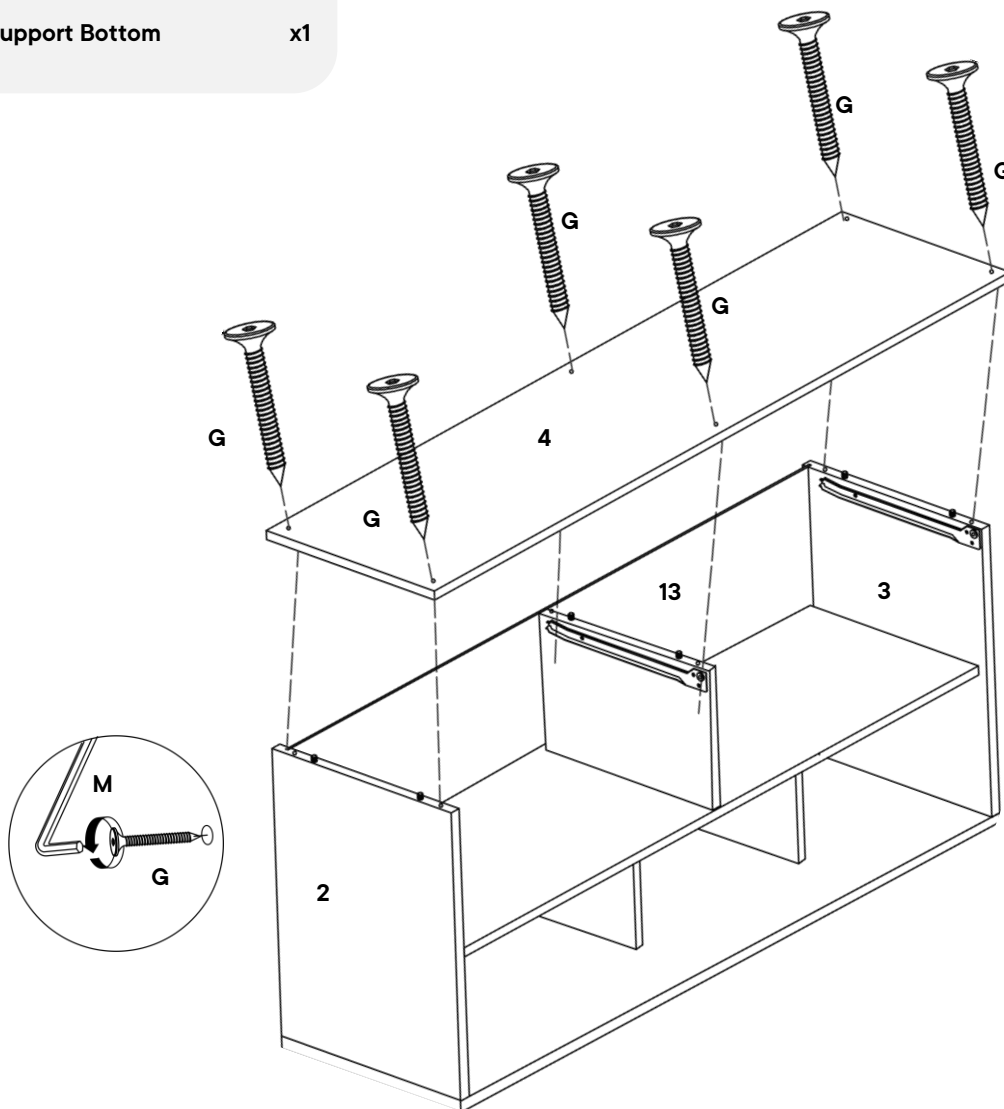
Step 11

HARDWARE

- G** JCBCW M6 x 50mm x6
- M** Allen Key x1

COMPONENTS

- 2** Right Side Panel x1
- 3** Left Side Panel x1
- 4** Bottom Panel x1
- 13** Body Support Bottom x1



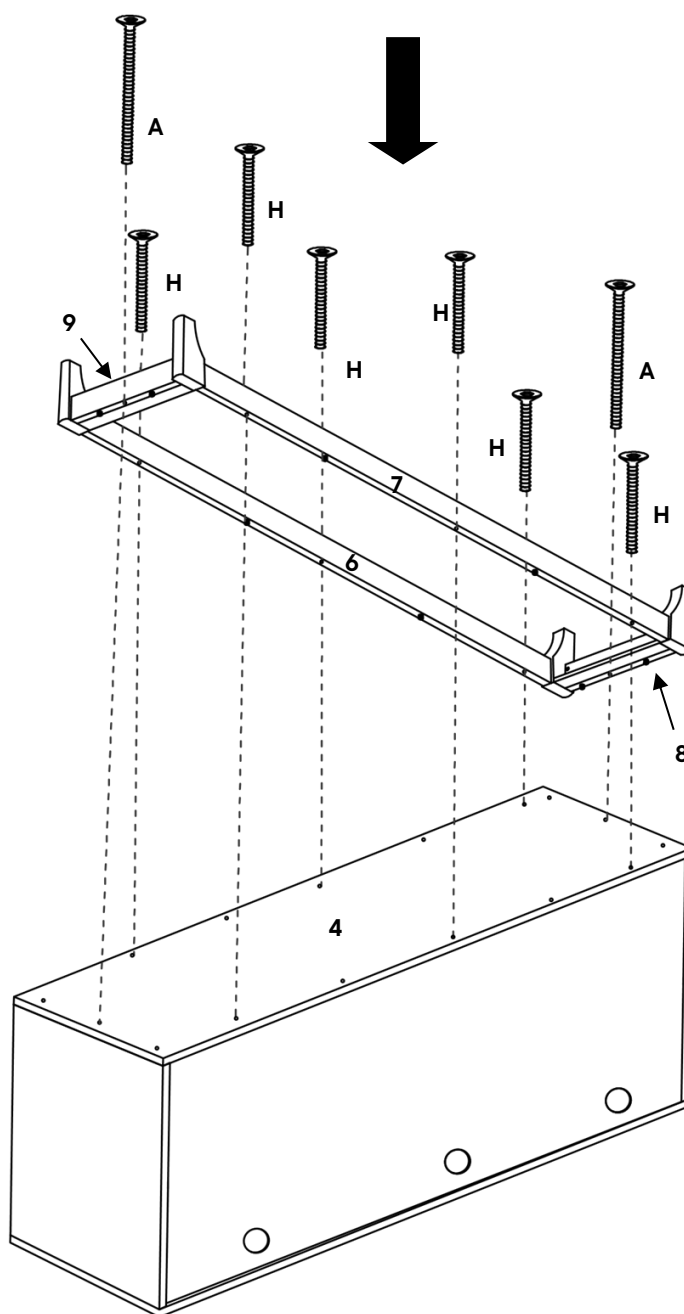
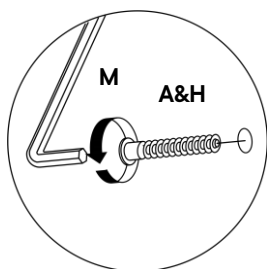
Step 12

HARDWARE

A	JCBC M6 x 80mm	x2
H	JCBC M6 x 60mm	x6
M	Allen Key	x1

COMPONENTS

4	Bottom Panel	x1
6	Front Leg Panel	x1
7	Back Leg Panel	x1
8	Right Leg Panel	x1
9	Left Leg Panel	x1



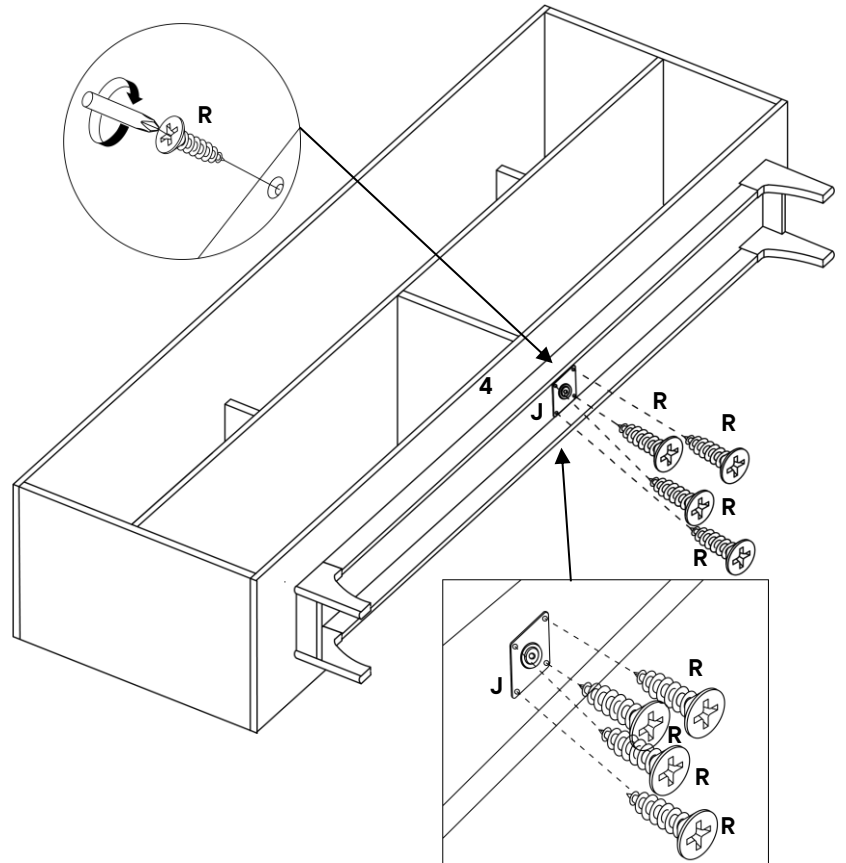
Step 13

HARDWARE

- J** Metal Plate x1
- R** C/board Screw Ø3.5 x 20mm x4

COMPONENTS

- 4** Bottom Panel x1



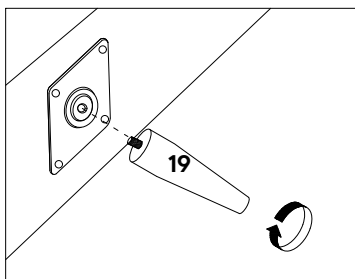
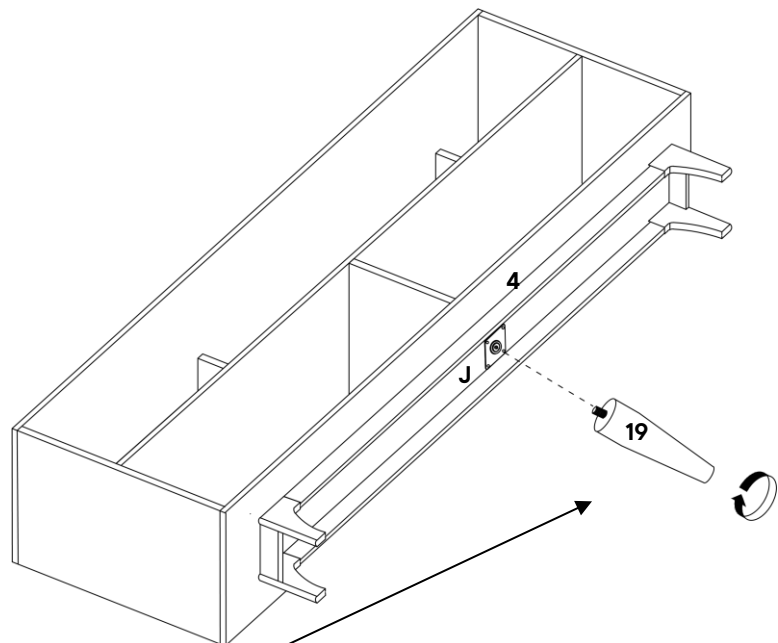
Step 14

HARDWARE

- J** Metal Plate x1

COMPONENTS

- 4** Bottom Panel x1
- 19** Center Leg x1



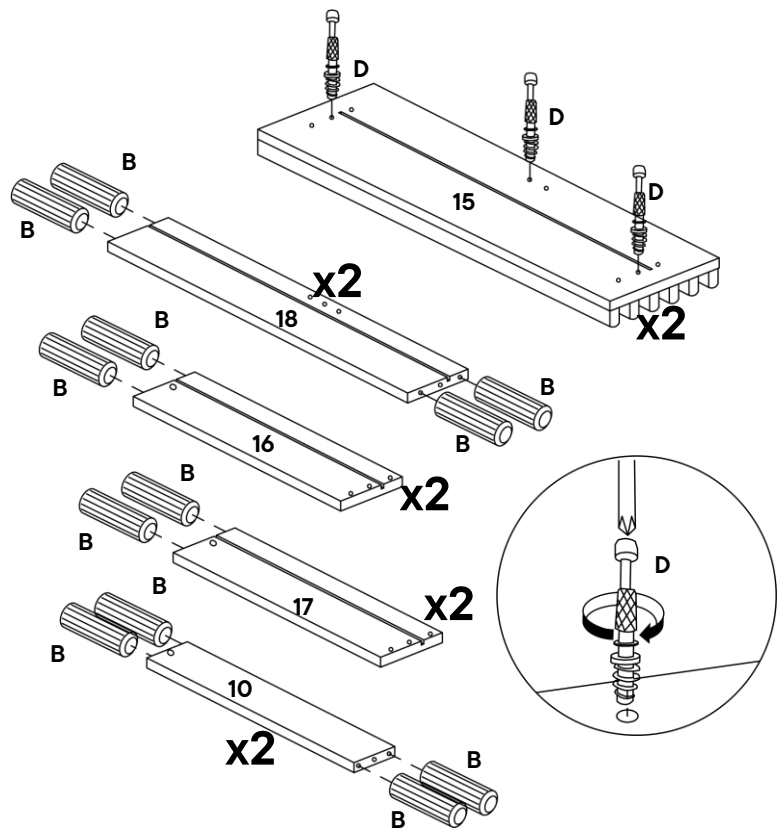
Step 15

HARDWARE

- B** Wooden Dowel Ø6 x 30mm x24
- D** Cam Bolt Ø6 x 32mm x6

COMPONENTS

- 10** Drawer Support x2
- 15** Drawer Head x2
- 16** Drawer Right x2
- 17** Drawer Left x2
- 18** Drawer Back x2



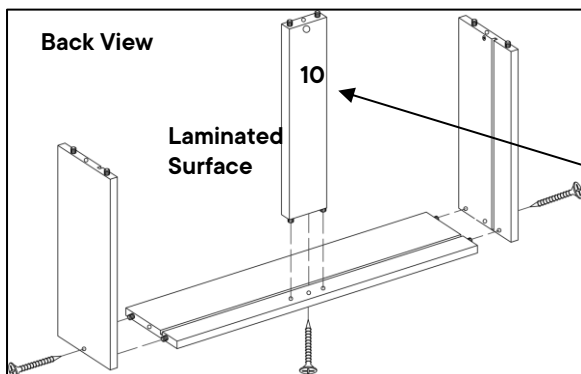
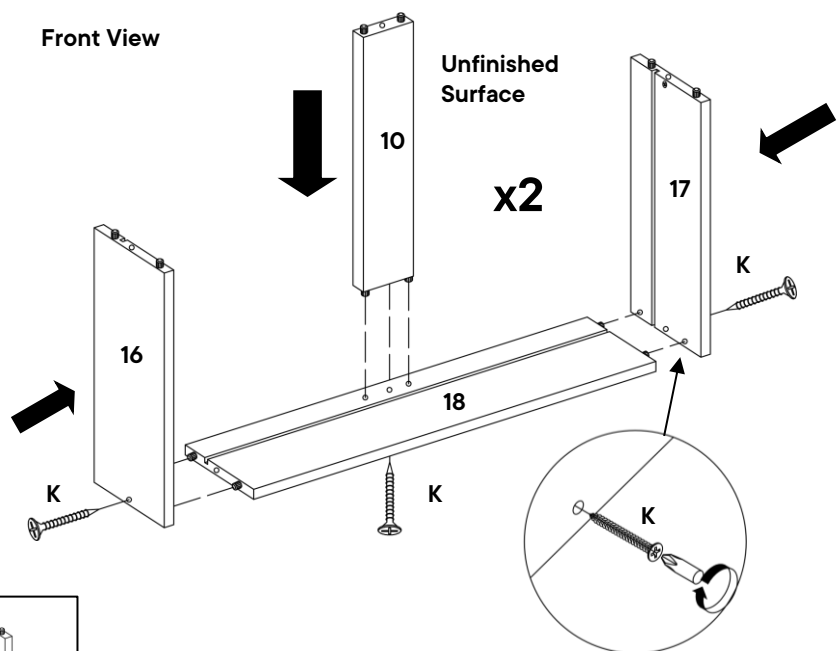
Step 16

HARDWARE

- K** C/board Screw Ø4 x 38mm x6

COMPONENTS

- 10** Drawer Support x2
- 16** Drawer Right x2
- 17** Drawer Left x2
- 18** Drawer Back x2



Step 17

HARDWARE

I Cam Lock Ø12 x 9.9mm x6

COMPONENTS

10 Drawer Support x2

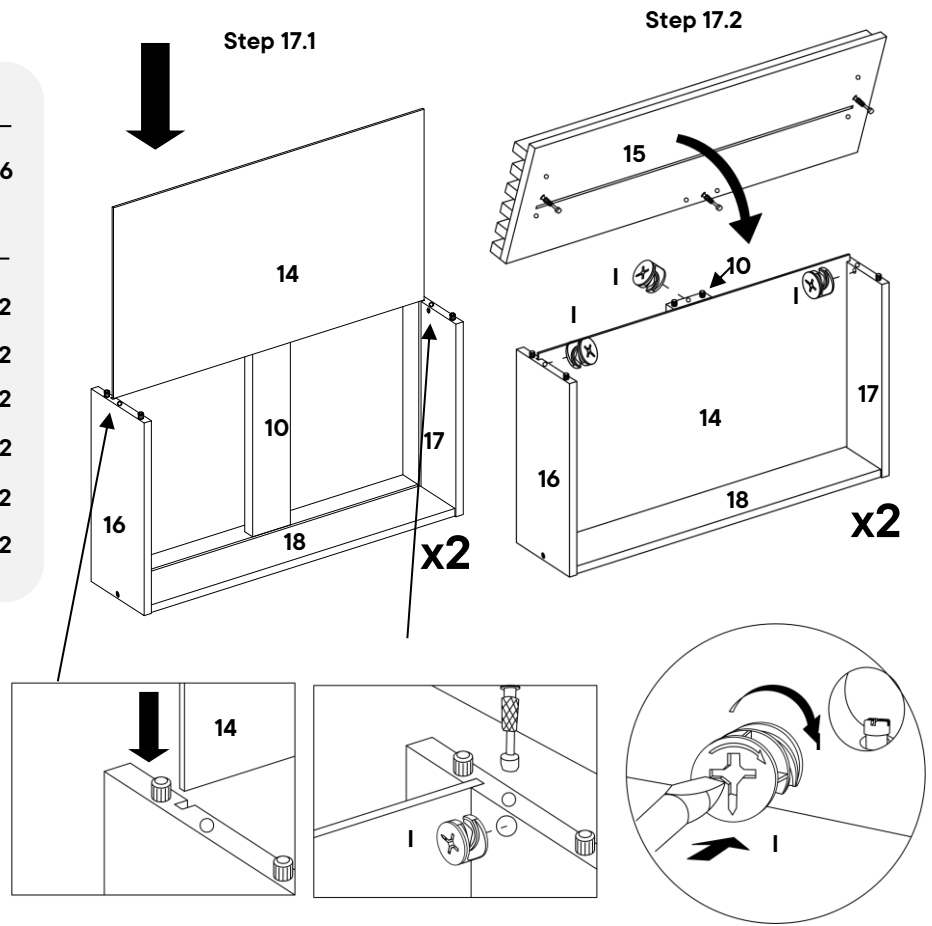
14 Drawer Base x2

15 Drawer Head x2

16 Drawer Right x2

17 Drawer Left x2

18 Drawer Back x2



Step 18

HARDWARE

F C/board Screw Ø3.5 x 16mm x12

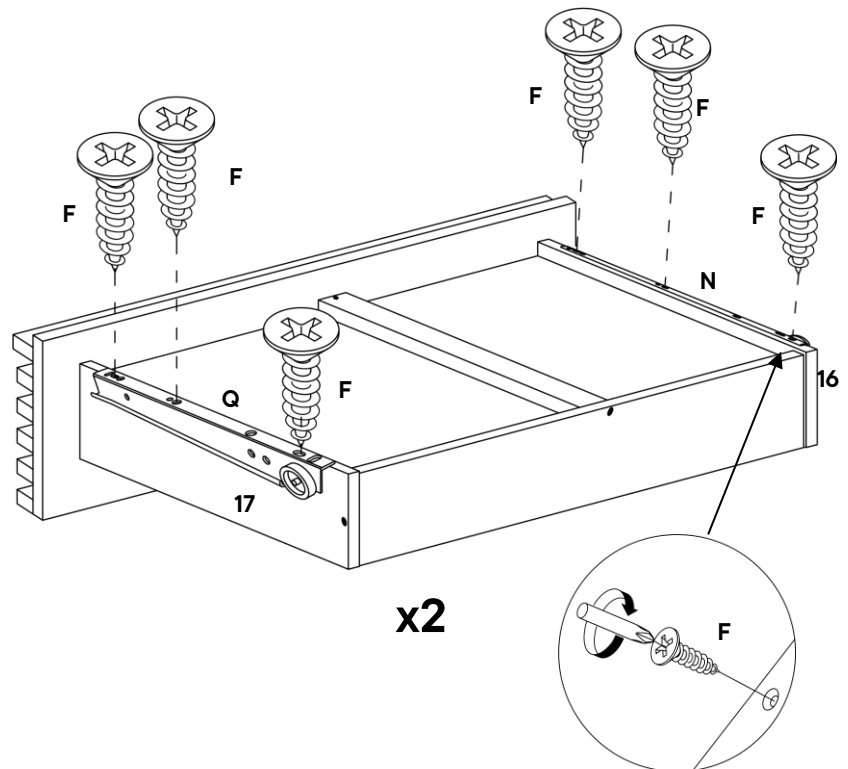
N Drawer Runner Right x2

Q Drawer Runner Left x2

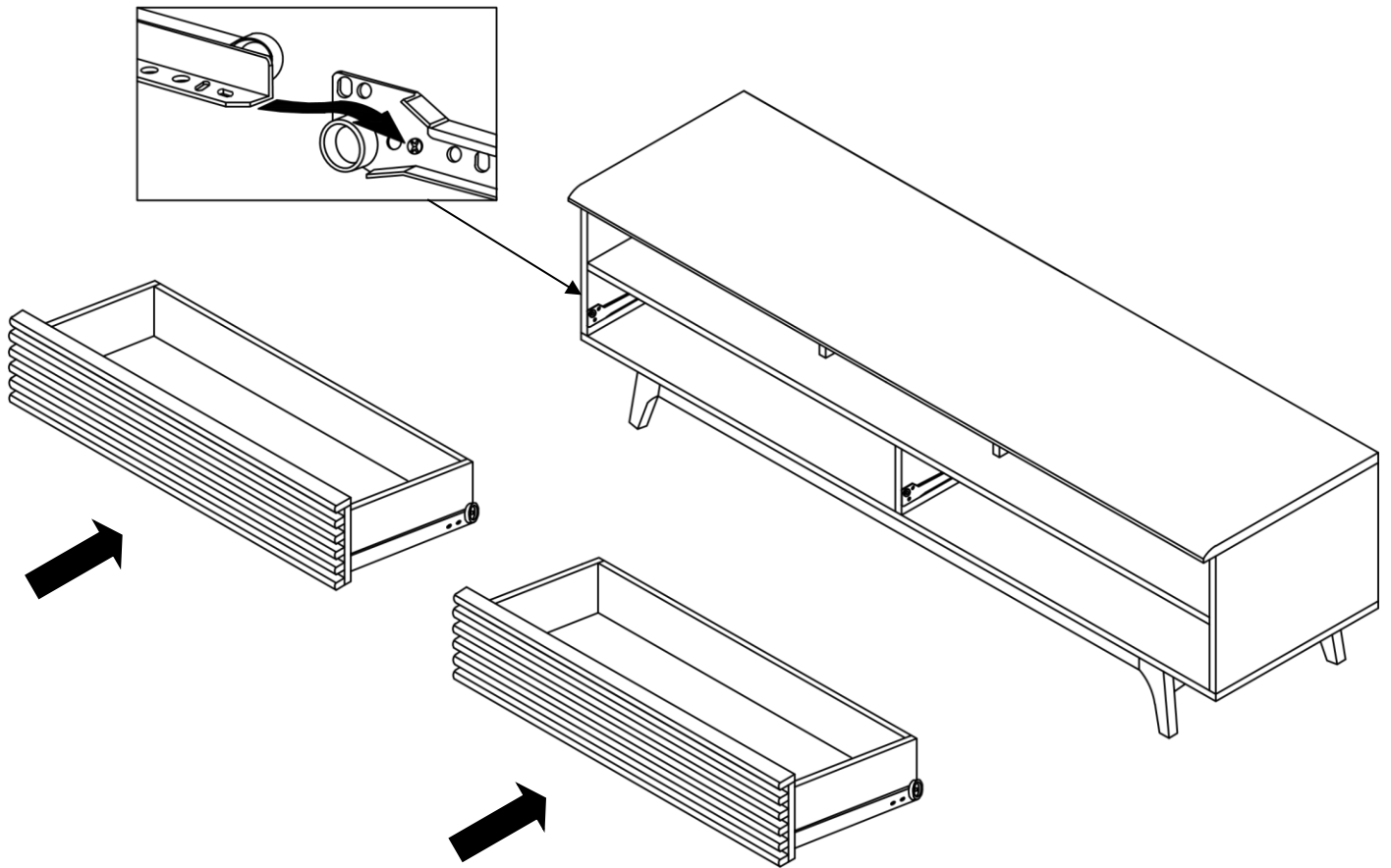
COMPONENTS

16 Drawer Right x2

17 Drawer Left x2



Step 19



Great job

Tv Stand assembly is complete.



CARING FOR YOUR ITEM

Indoor use only.

Not contract grade.

Clean using a non-abrasive cloth and a mild cleaner

Never use harsh chemicals, as they could damage the finish or integrity of the item.

CONNECT WITH US!

Tag us [@modway_furniture](#) and [#modway](#) for a chance to be featured.

