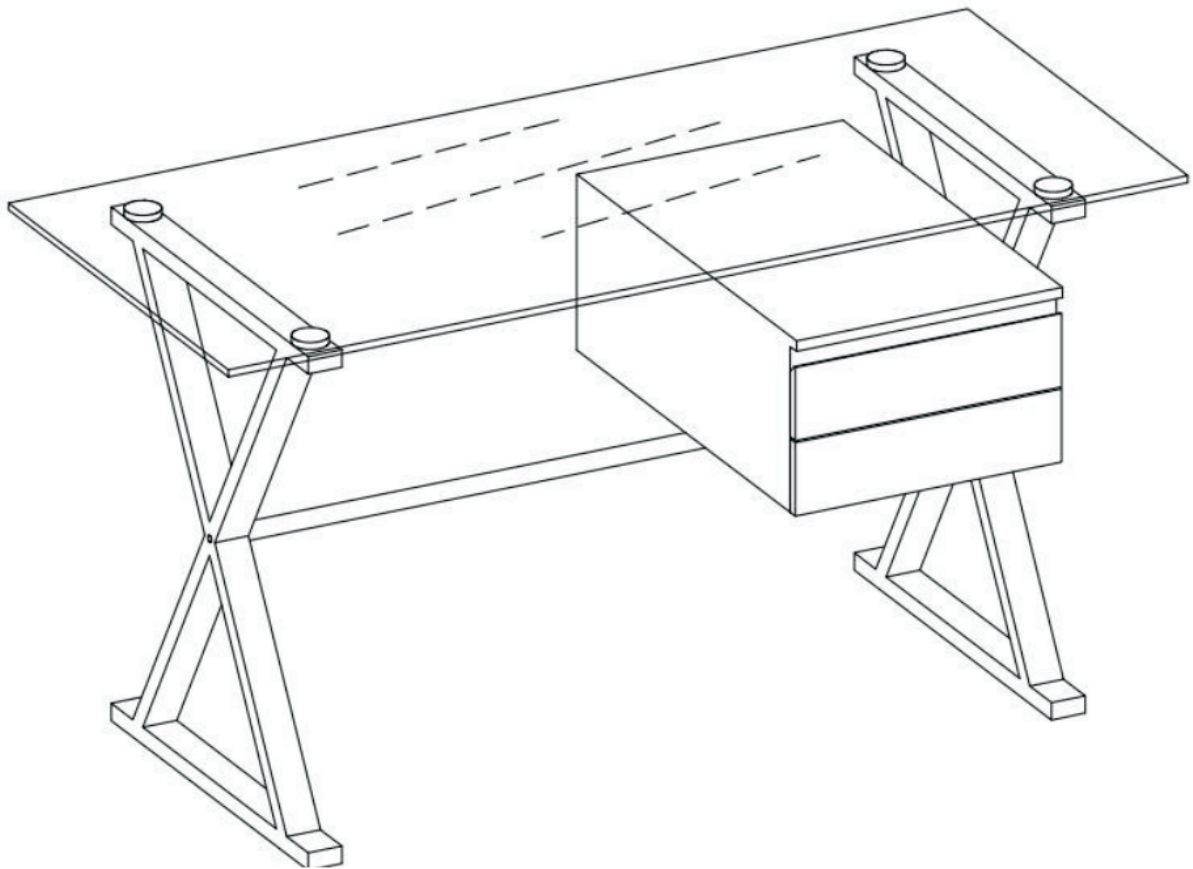


ASSEMBLY INSTRUCTIONS

EEI-6225

V1.09.30.22



Questions? Contact us!

609.256.9000 • cs@modway.com
www.modway.com

*modway



Read through all of the instructions before starting



Care instructions are listed in the last step of this manual



Approx. 30 minutes assembly time



Make sure you have all parts and components before discarding any packing materials



2 people recommended for assembly

Only use hand tools to assemble this item. Do not use power tools. Do not tighten bolts or screws completely until all hardware is lined up and inserted into the holes.

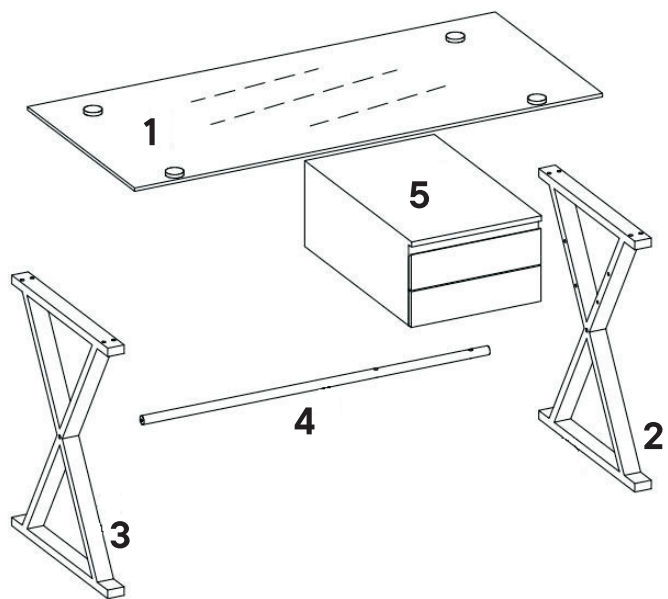
Do not over-tighten screws and bolts to avoid stripping the hardware or cracking the item.

Assemble your item on a flat, carpeted area, with plenty of space to work. This will prevent damage and scratches to your floors or the item while you're assembling the product.

Keep all components and packaging out of reach of children or animals to avoid risk of choking or suffocation.

Furniture components:

1	Glass Top	x1
2	Right Leg	x1
3	Left Leg	x1
4	Centre Rail	x1
5	Drawer Box	x1



Provided hardware:

A		Bolt M8 x 65mm	x2
B		Bolt M8 x 50mm	x4
C		Bolt M8 x 40mm	x2
D		Bolt M8 x 35mm	x8
E		Flat Washer Ø8 x 16mm	x14
F		Spring Washer	x8
G		Washer	x2
H		Plastic Cap	x2
I		Allen Wrench M5	x1

Wait!

Missing parts or hardware? Need assistance?
Contact us before returning your item. We're here to help!
609.256.9000 • cs@modway.com

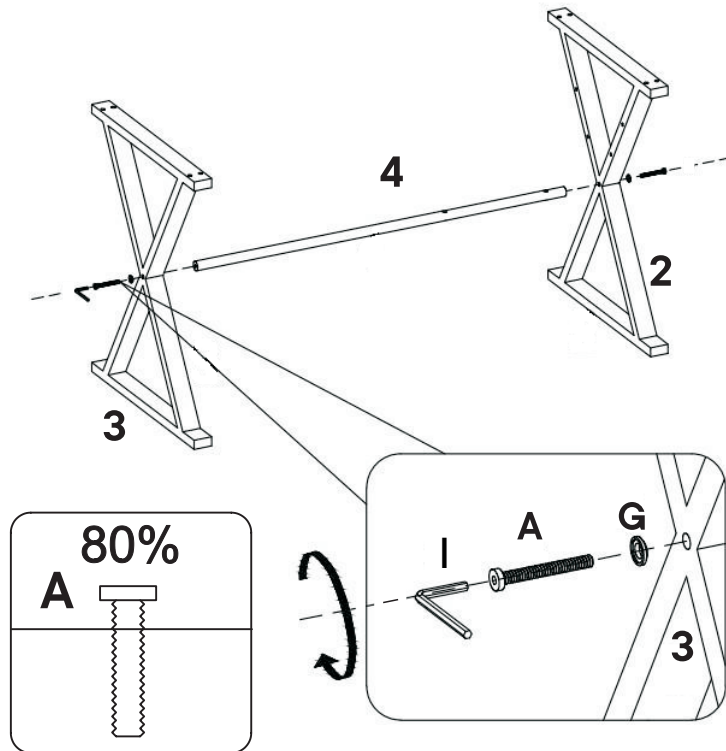
Step 1

HARDWARE

- A** Bolt M8 x 65mm x2
- G** Washer x2
- I** Allen Wrench M5 x1

COMPONENTS

- 2** Right Leg x1
- 3** Left Leg x1
- 4** Centre Rail x1



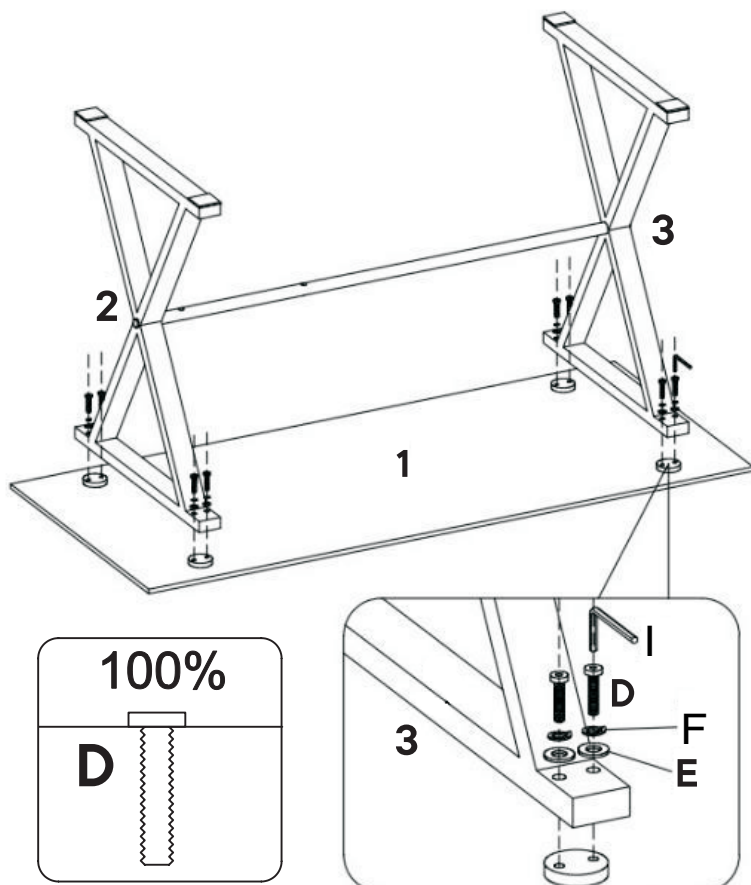
Step 2

HARDWARE

- D** Bolt M8 x 35mm x8
- E** Flat Washer Ø8 x 16mm x8
- F** Spring Washer x8
- I** Allen Wrench M5 x1

COMPONENTS

- 1** Glass Top x1
- 2** Right Leg x1
- 3** Left Leg x1

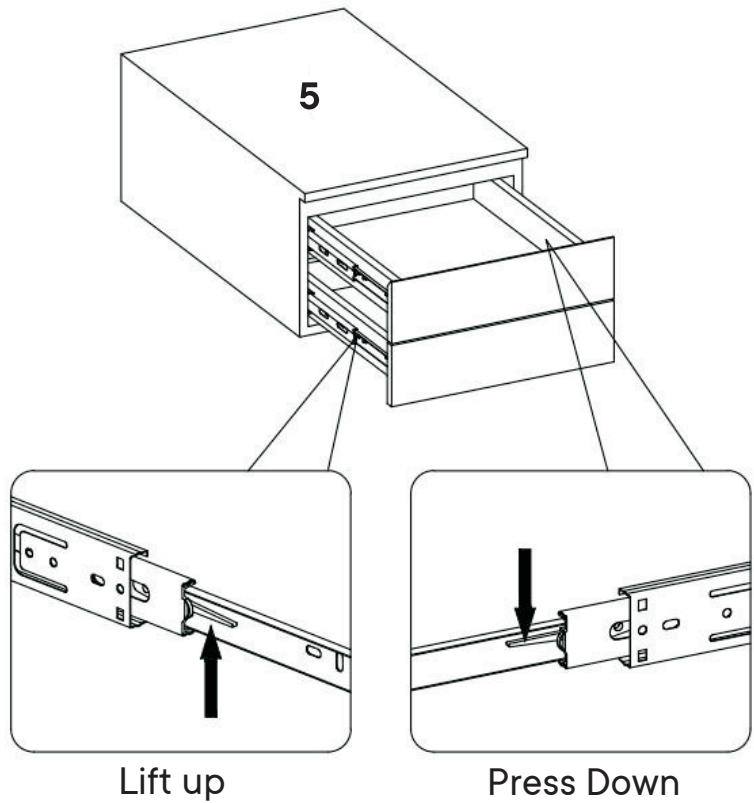


Step 3

To remove the drawer

COMPONENTS

- 5 Drawer Box x1



Step 4

2 people recommended for assembly~

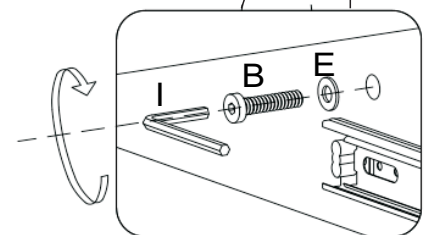
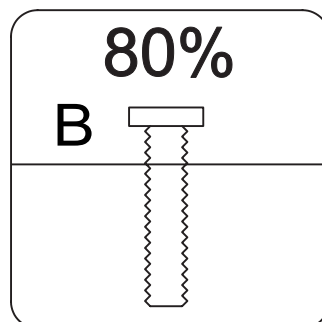
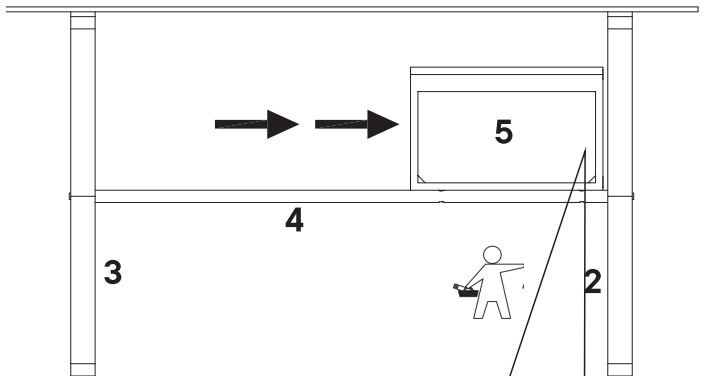


HARDWARE

- B Bolt M8 x 50mm x4
- E Flat Washer Ø8 x 16mm x4
- I Allen Wrench M5 x1

COMPONENTS

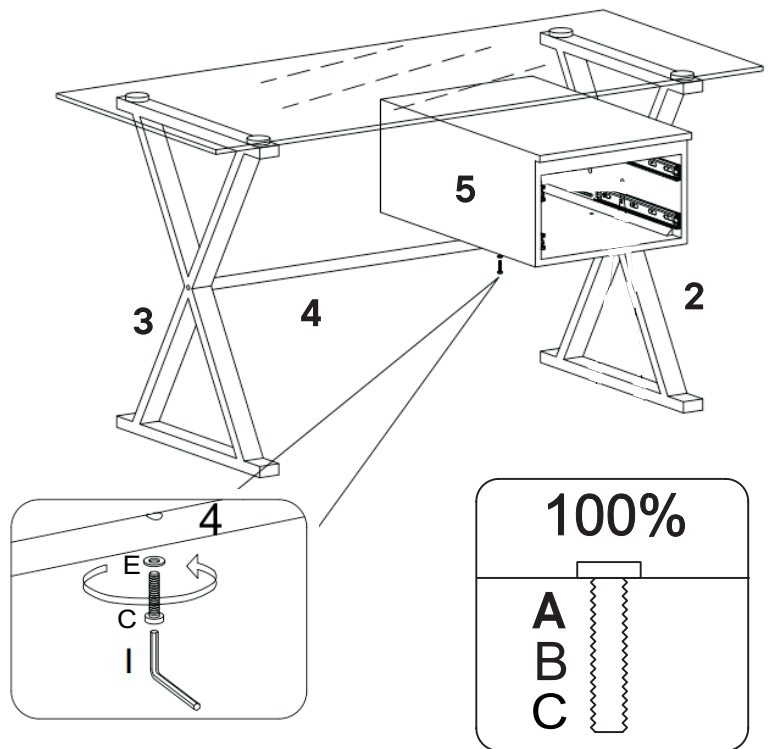
- 2 Right Leg x1
- 3 Left Leg x1
- 4 Centre Rail x1
- 5 Drawer Box x1



Step 5

HARDWARE

- C** Bolt M8 x 40mm x2
- E** Flat Washer Ø8 x 16mm x2
- I** Allen Wrench M5 x1



Step 6

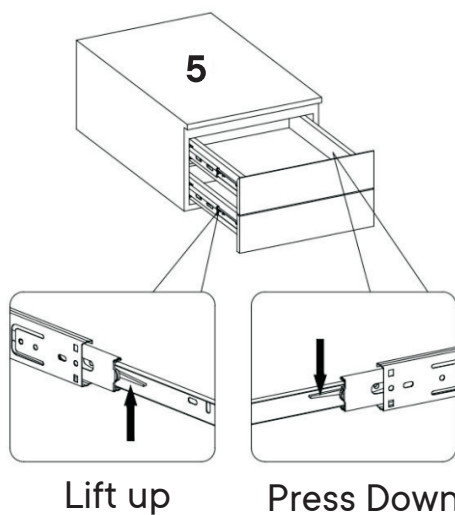
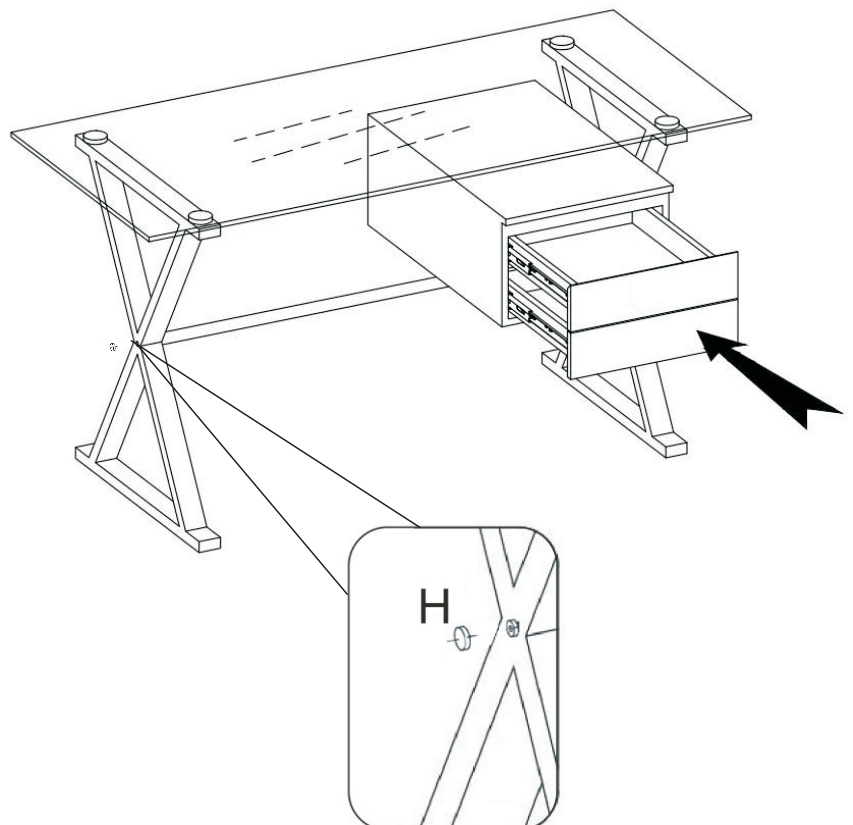
To insert the drawer

HARDWARE

- H** Plastic Cap x2

COMPONENTS

- 5** Drawer Box x1



Great job!

Desk assembly is complete .

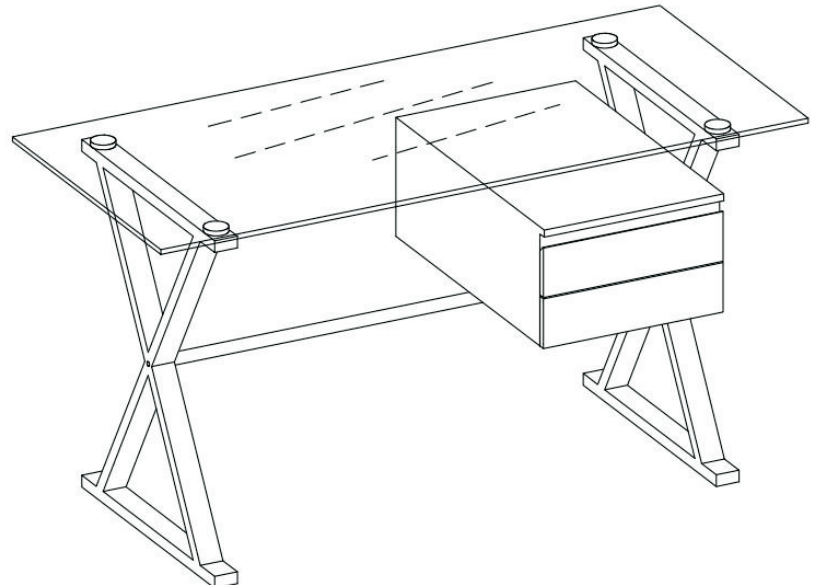
♥ CARING FOR YOUR ITEM

Indoor use only.

Not contract grade.

Clean using a non-abrasive cloth and a mild cleaner.

Never use harsh chemicals, as they could damage the finish or integrity of the item.



CONNECT WITH US!   

Tag us [@modway_furniture](#) and [#modway](#) for a chance to be featured.