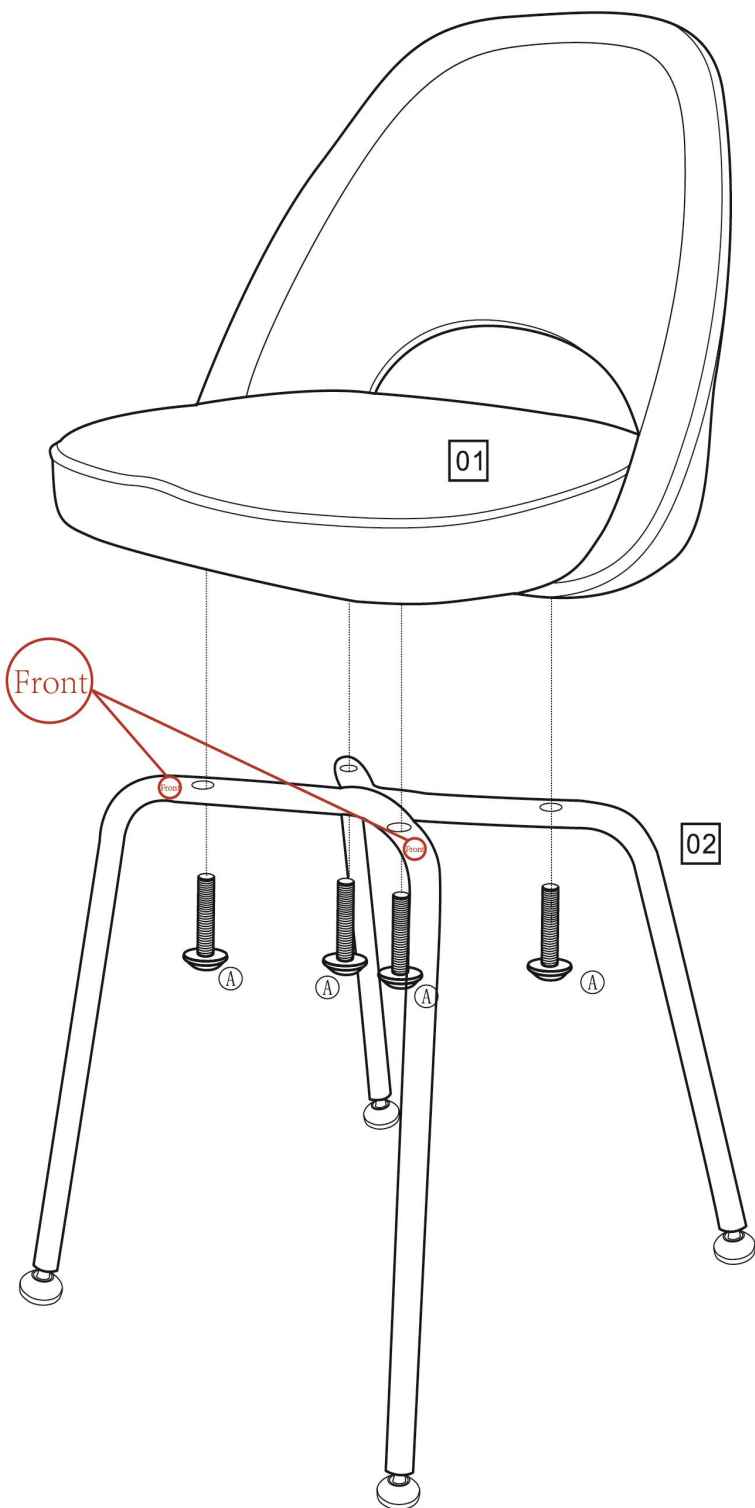


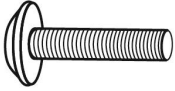
# EEI-622

# ASSEMBLY INSTRUCTION

COMPONENT PARTS

FITTINGS



Ⓐ  X4  
(M6\*50mm)



## COMPONENT CHECKLIST

PART	No.	Qty.	
Seat	01	1	<input type="checkbox"/>
tube	02	1	<input type="checkbox"/>

## TOOLS REQUIRED



Allen key (supplied)