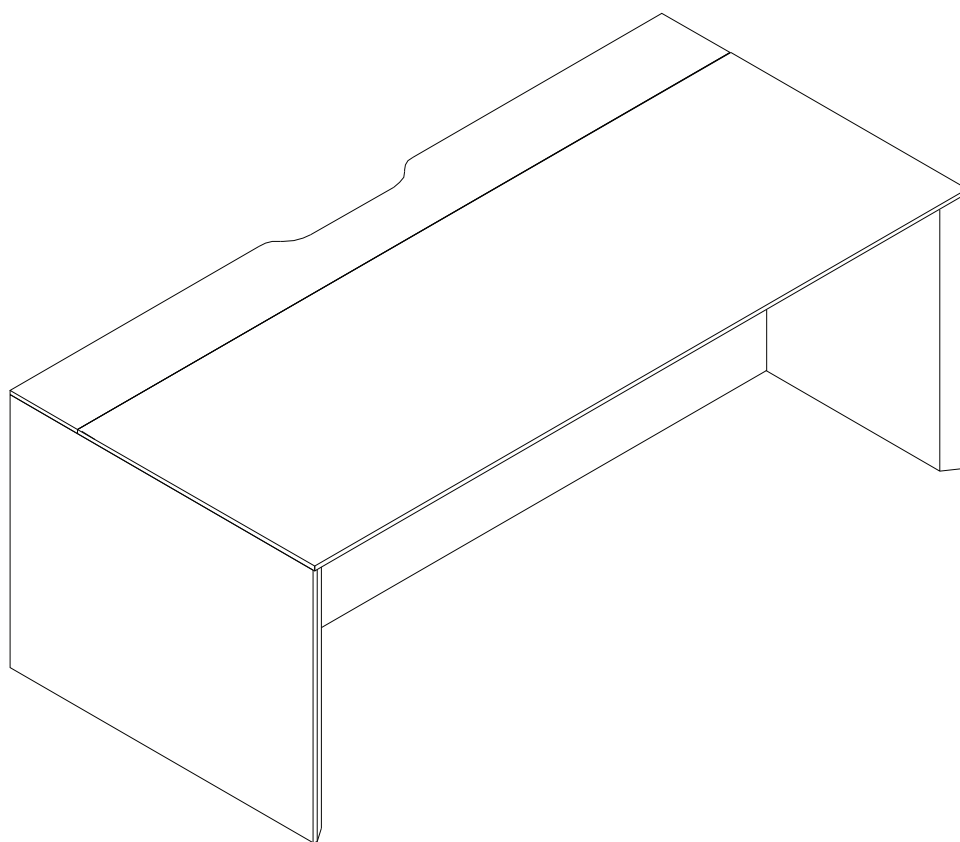


# ASSEMBLY INSTRUCTIONS

# EEI-6206

V1.05.07.22



**Questions? Contact us!**

609.256.9000 • [cs@modway.com](mailto:cs@modway.com)  
[www.modway.com](http://www.modway.com)

**\*modway**

# Let's get started!

\*modway



Read through all of the instructions before starting



Care instructions are listed in the last step of this manual



Approx. 120 minutes assembly time



Make sure you have all parts and components before discarding any packing materials



2 people recommended for assembly

**Only use hand tools to assemble this item.** Do not use power tools. Do not tighten bolts or screws completely until all hardware is lined up and inserted into the holes.

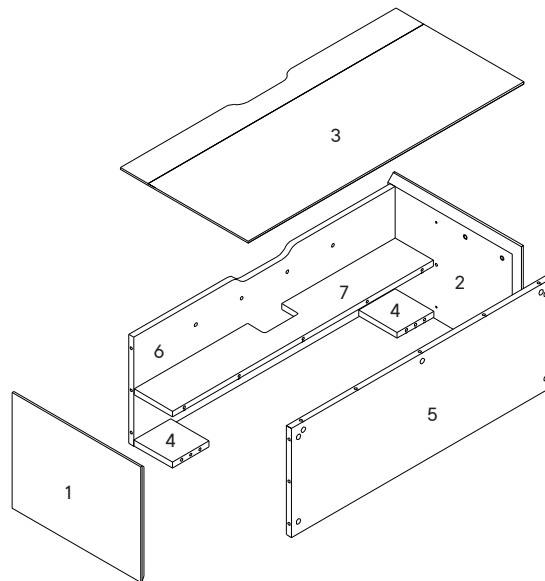
Do not over-tighten screws and bolts to avoid stripping the hardware or cracking the item.

Assemble your item on a flat, carpeted area, with plenty of space to work. This will prevent damage and scratches to your floors or the item while you're assembling the product.

Keep all components and packaging out of reach of children or animals to avoid risk of choking or suffocation.

## Furniture components:

1	Left Side Panel	x1
2	Right Side Panel	x1
3	Top Panel	x1
4	Support Panel 1	x2
5	Middle Panel	x1
6	Back Panel	x1
7	Support Panel 2	x1



## Provided hardware:

A		Wood Dowel M8 x 25mm	x16
B		Cam Bolt Ø6 x 24mm	x18
C		Cam Lock Ø15	x18
D		Screw 6 x 40mm	x4
E		Screw 6 x 16mm	x12
F		Nut M6 x 12mm	x4
G		Hex Wrench	x2

H		Adjustable Leg	x2
I		Screw 3.5 x 20mm	x7
J		Screw Cap	x7
K		Angle Bar	x2
L		Wall Mounting Bracket (Carcass)	x1
M		Wall Mounting Bracket (Wall Side)	x1
N		L Shape Angle Bar	x1

## What you need:

Phillips Head Screwdriver

## You may also need:

- + Power Drill
- + Level
- + Drywall Anchors and Screws
- + Other Wall-Mounting Hardware

Wait!

Missing parts or hardware? Need assistance?  
Contact us before returning your item. We're here to help!  
609.256.9000 • cs@modway.com

# Step 1

## HARDWARE

**A** Wood Dowel M8 x 25mm x16

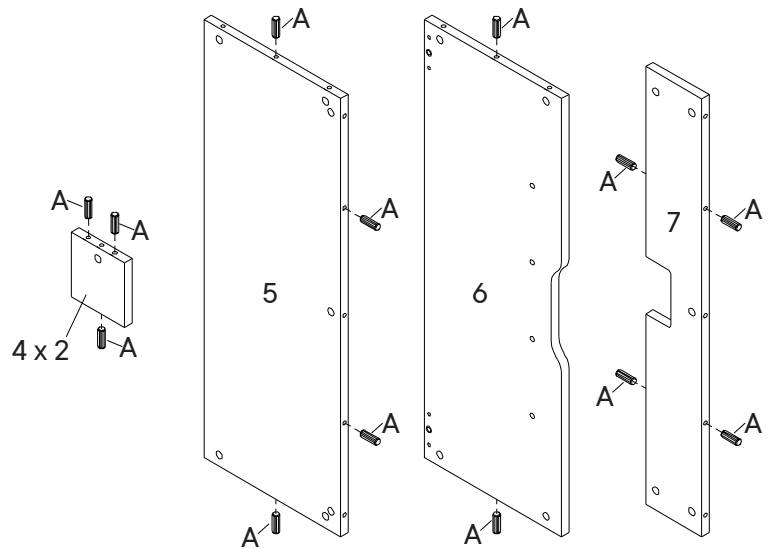
## COMPONENTS

**4** Support Panel 1 x2

**5** Middle Panel x1

**6** Back Panel x1

**7** Support Panel 2 x1



# Step 2

## HARDWARE

**B** Cam Bolt Ø6 x 24mm x18

## COMPONENTS

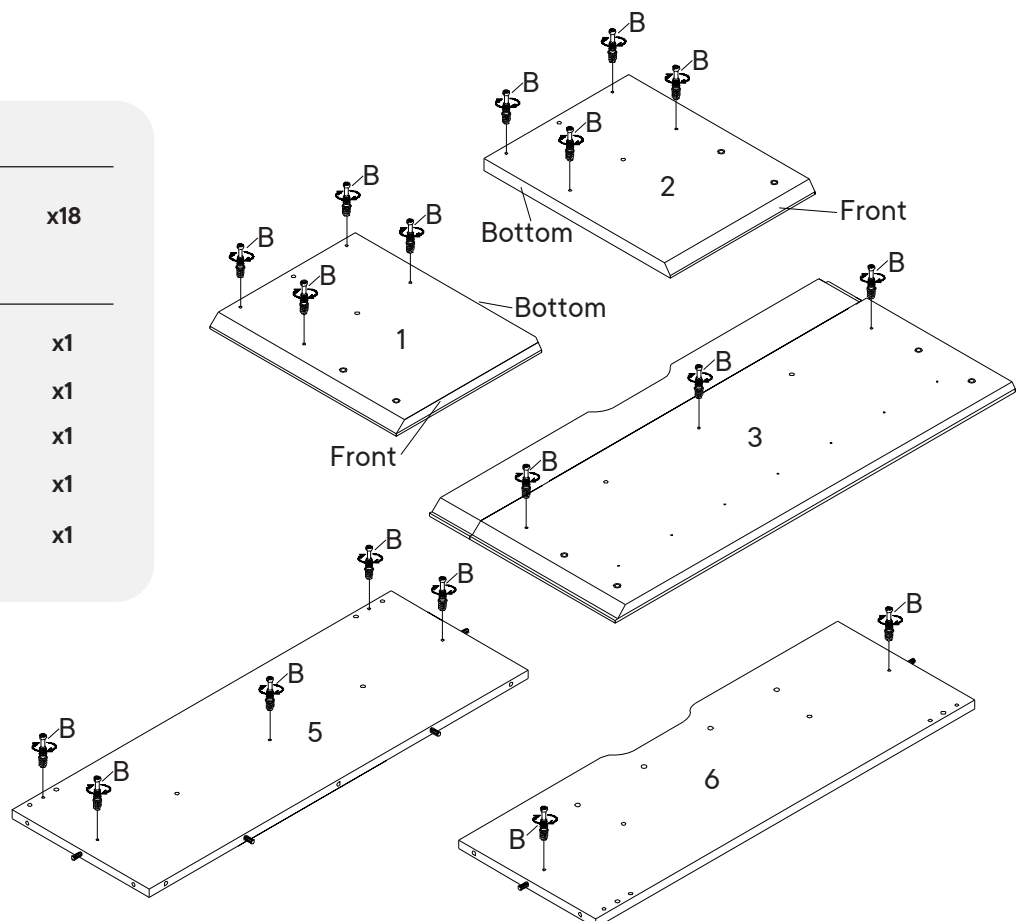
**1** Left Side Panel x1

**2** Right Side Panel x1

**3** Top Panel x1

**5** Middle Panel x1

**6** Back Panel x1



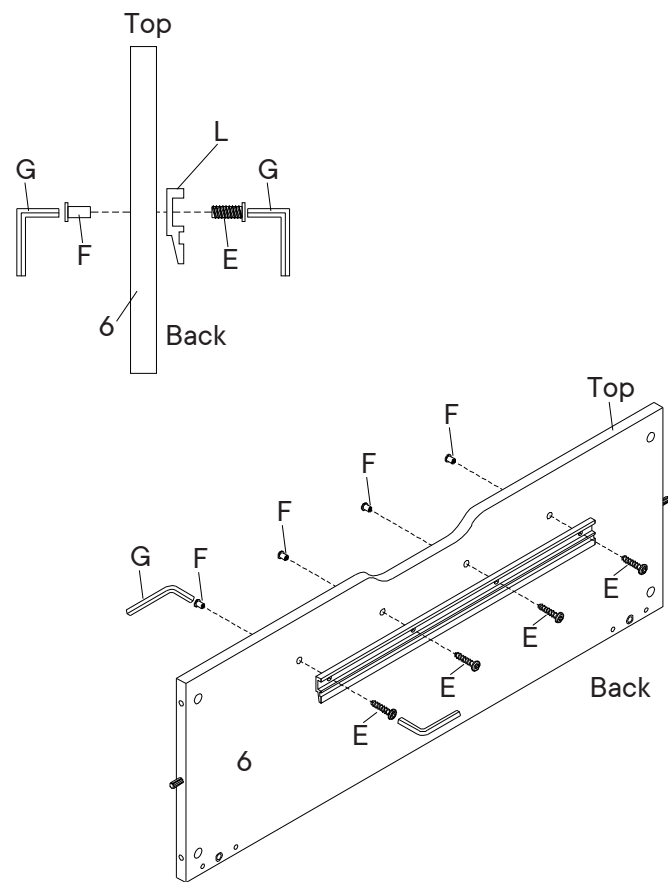
# Step 3

## HARDWARE

<b>E</b>	Screw 6 x 16mm	x4
<b>F</b>	Nut M6 x 12mm	x4
<b>G</b>	Hex Wrench	x2
<b>L</b>	Wall Mounting Bracket (Carcass)	x1

## COMPONENTS

<b>6</b>	Back Panel	x1
----------	------------	----



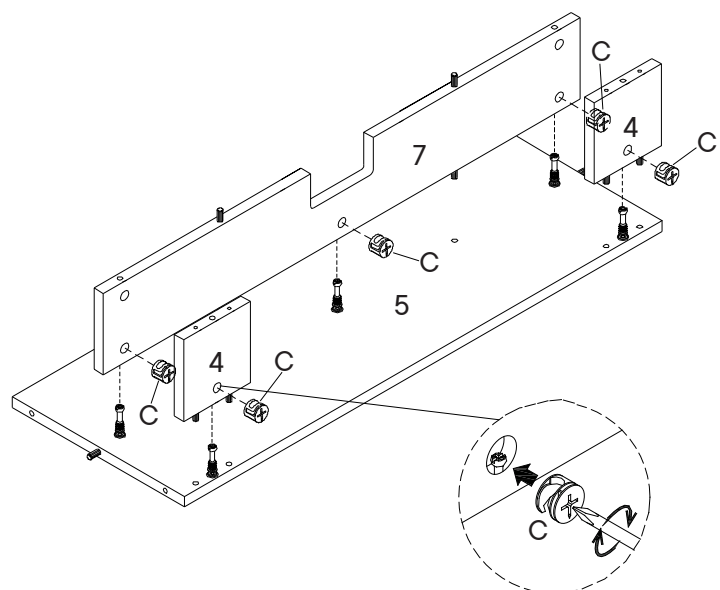
# Step 4

## HARDWARE

<b>C</b>	Cam Lock Ø15	x5
----------	--------------	----

## COMPONENTS

<b>4</b>	Support Panel 1	x2
<b>5</b>	Middle Panel	x1
<b>7</b>	Support Panel 2	x1



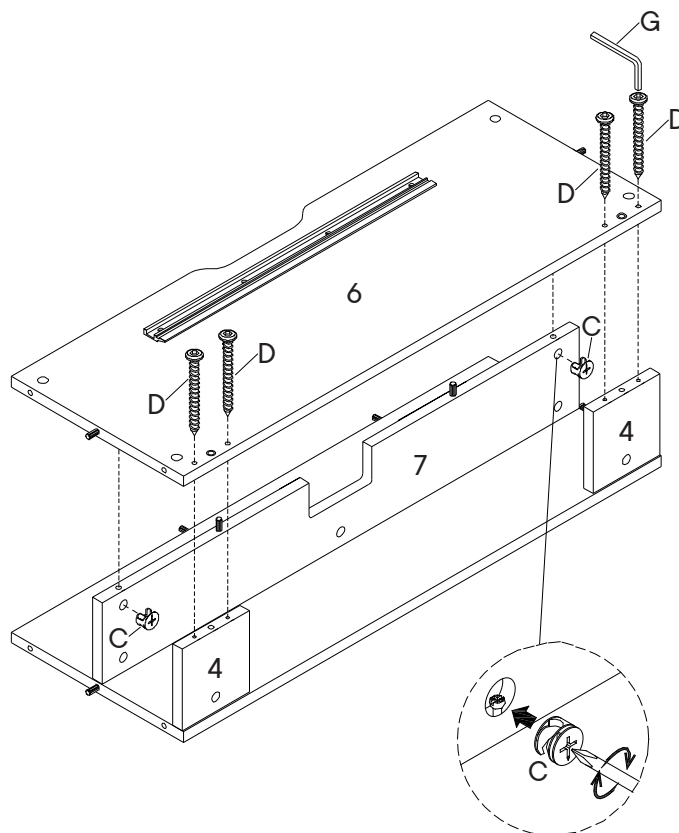
# Step 5

## HARDWARE

- C** Cam Lock Ø15 x2
- D** Screw 6 x 40mm x4
- G** Hex Wrench x1

## COMPONENTS

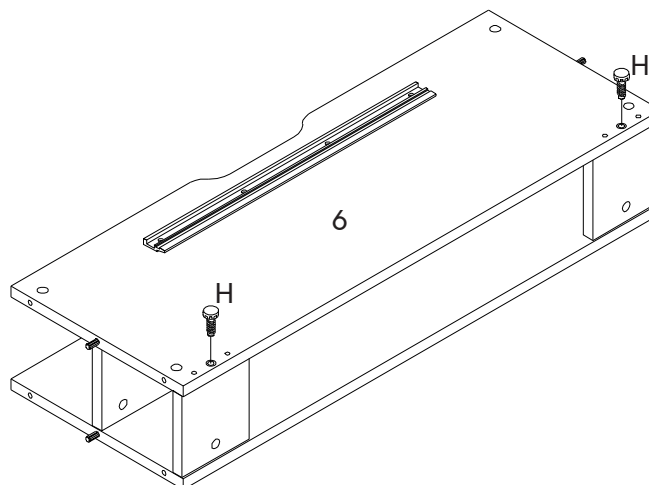
- 4** Support Panel 1 x2
- 6** Back Panel x1
- 7** Support Panel 2 x1



# Step 6

## HARDWARE

- H** Adjustable Leg x2



# Step 7

## HARDWARE

**C** Cam Lock Ø15 x8

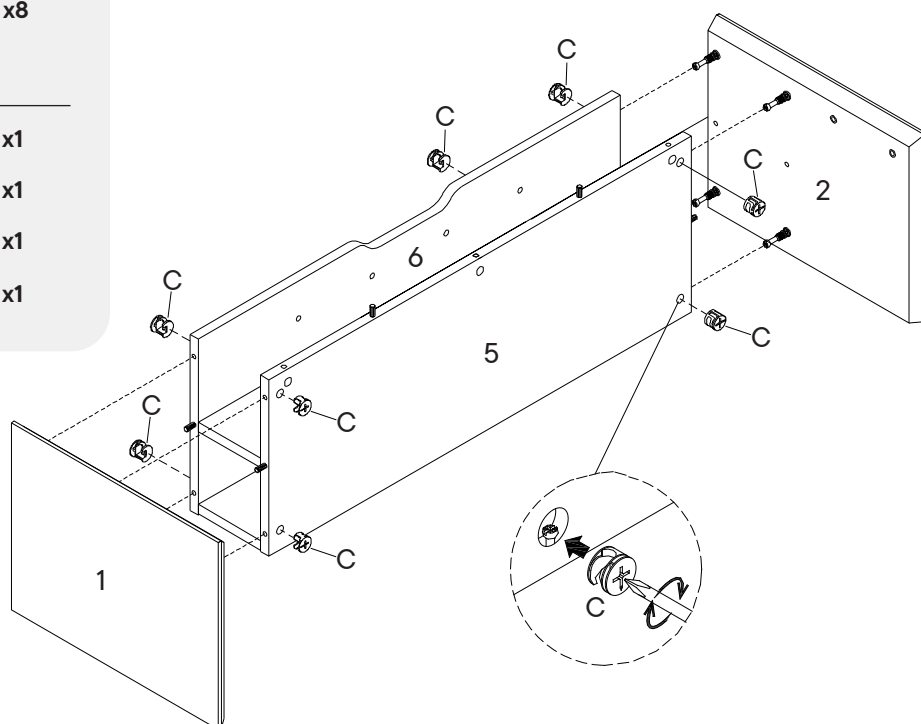
## COMPONENTS

**1** Left Side Panel x1

**2** Right Side Panel x1

**5** Middle Panel x1

**6** Back Panel x1



# Step 8

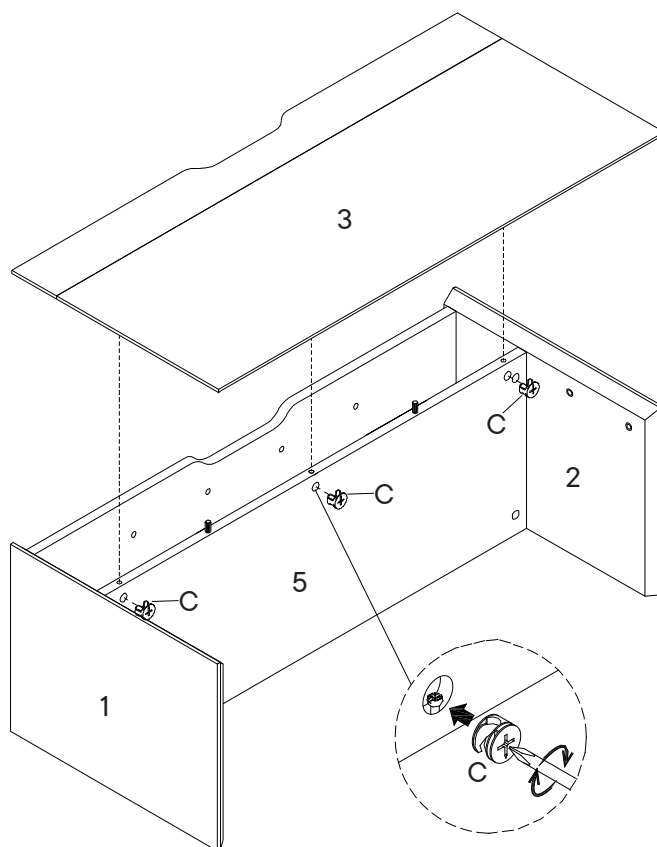
## HARDWARE

**C** Cam Lock Ø15 x3

## COMPONENTS

**3** Top Panel x1

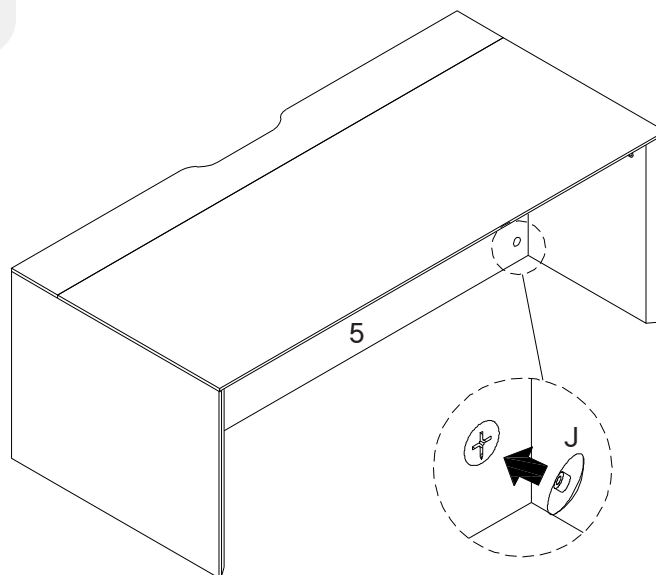
**5** Middle Panel x1



# Step 9

## HARDWARE

- J** Screw Cap x7



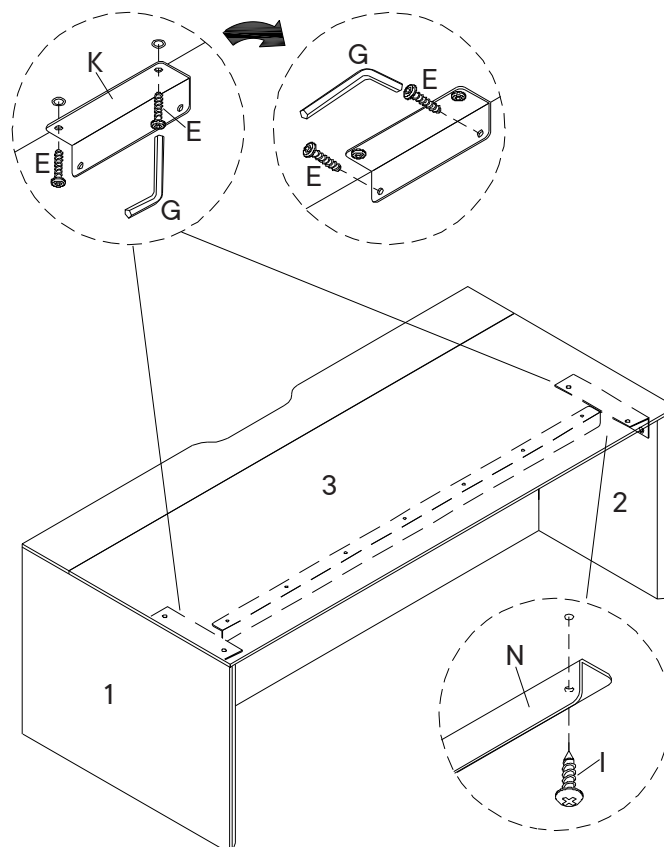
# Step 10

## HARDWARE

- E** Screw 6 x 16mm x8
- G** Hex Wrench x1
- I** Screw 3.5 x 20mm x7
- K** Angle Bar x2
- N** L Shape Angle Bar x1

## COMPONENTS

- 1** Left Side Panel x1
- 2** Right Side Panel x1
- 3** Top Panel x1



# Step 11

Hold Wall mounting bracket (Wall Side) (M) in desired location.

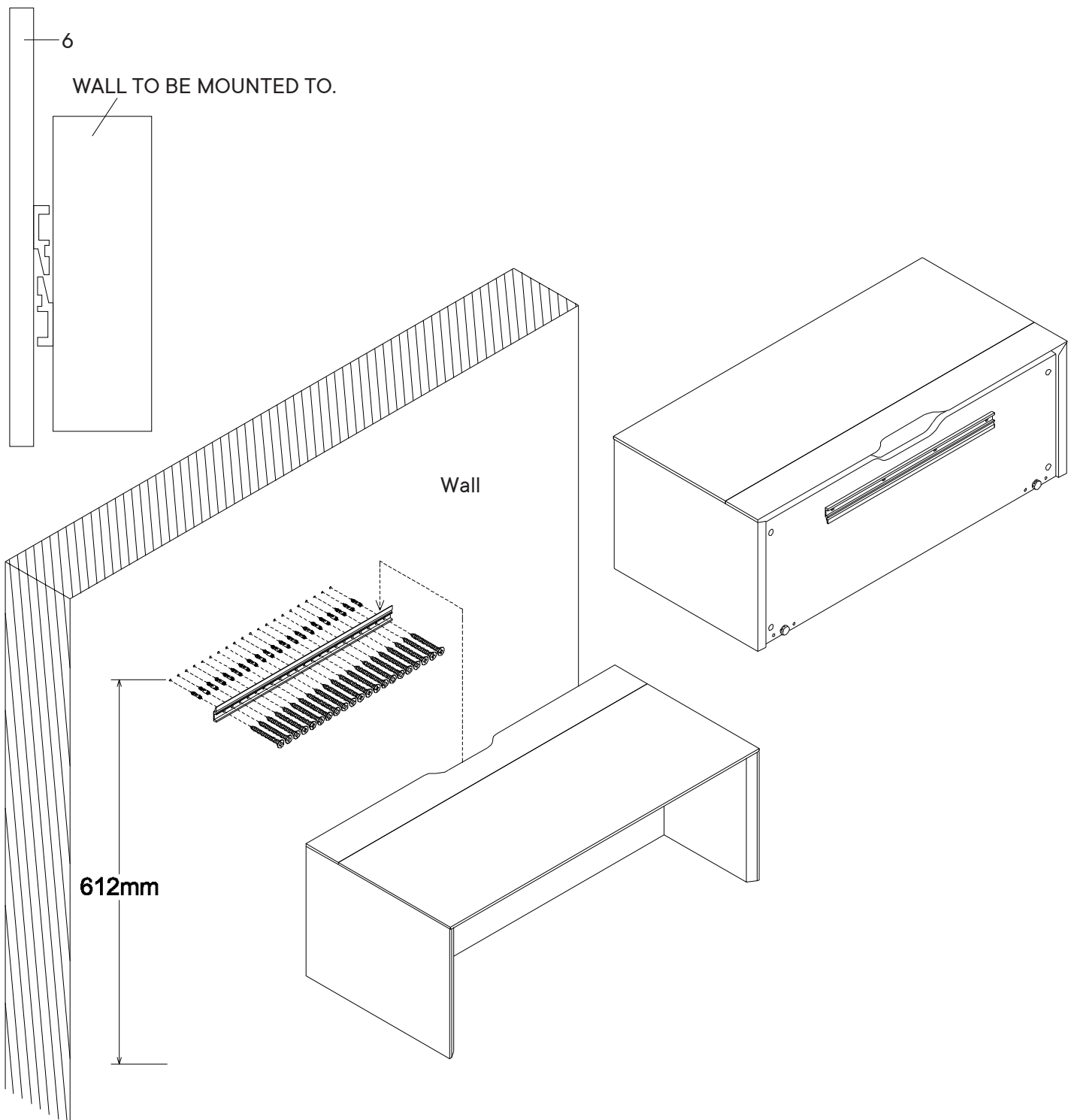
Measure the height from floor to mark the hole.

Use a pencil to mark the wall plug locations using Wall mounting bracket (Wall Side) (M) screw holes as a guide.

Drill holes  $\text{Ø}6$  in these marked spots and tap wall plug into the drilled holes.

The back of Table has a recessed area that will hook onto Bracket (M)

Secure the Wall mounting bracket (Wall Side) (M) to wall plug using screws and phillips head screwdriver. Screw and wall plug not provided.





# Great job!

Desk assembly is complete.

## ♥ CARING FOR YOUR ITEM

Indoor use only.

Not contract grade.

Clean using a non-abrasive cloth and a mild cleaner.

Never use harsh chemicals, as they could damage the finish or integrity of the item.

CONNECT WITH US!   

Tag us [@modway\\_furniture](#) and [#modway](#) for a chance to be featured.

