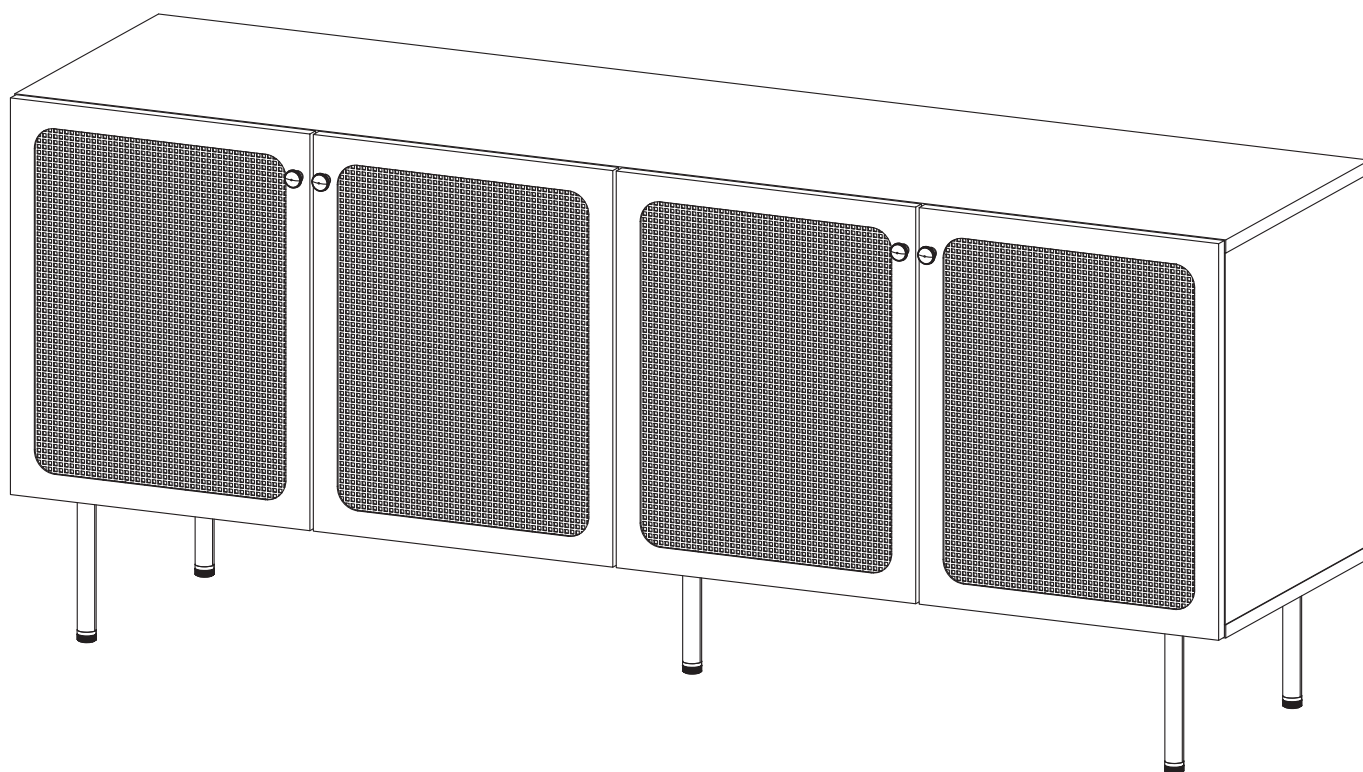


ASSEMBLY INSTRUCTIONS

EEI-6201

V0.09.09.22



Questions? Contact us!

609.256.9000 • cs@modway.com
www.modway.com

*modway

Let's get started!

*modway



Read through all of the instructions before starting



Care instructions are listed in the last step of this manual



Approx. 90 minutes assembly time



Make sure you have all parts and components before discarding any packing materials



2 people recommended for assembly

Only use hand tools to assemble this item. Do not use power tools. Do not tighten bolts or screws completely until all hardware is lined up and inserted into the holes.

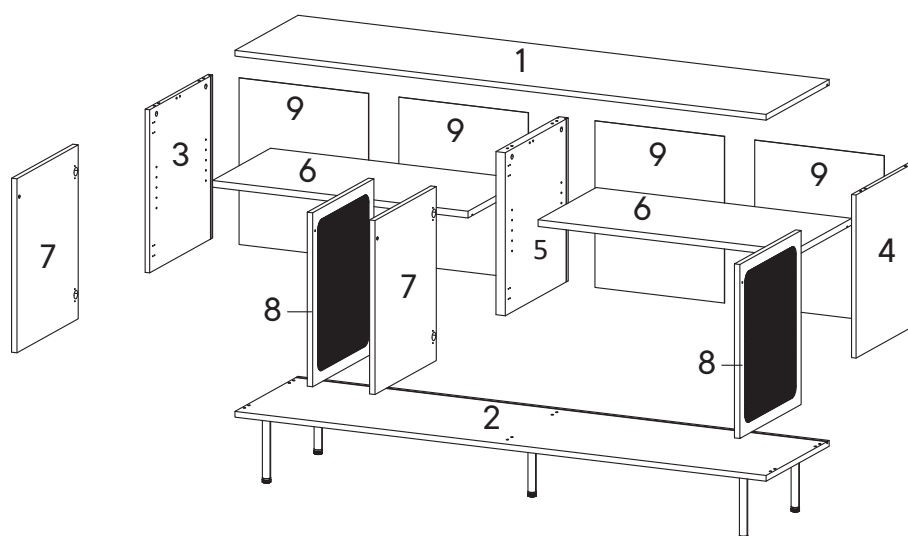
Do not over-tighten screws and bolts to avoid stripping the hardware or cracking the item.

Assemble your item on a flat, carpeted area, with plenty of space to work. This will prevent damage and scratches to your floors or the item while you're assembling the product.

Keep all components and packaging out of reach of children or animals to avoid risk of choking or suffocation.

Furniture components:

1	Top Board	x1
2	Bottom Board	x1
3	Side Board Left	x1
4	Side Board Right	x1
5	Center Board	x1
6	Adjustable Shelf	x2
7	Door Left	x2
8	Door Right	x2
9	Back Board	x4



Provided hardware:

A		Cam Bolt $\varnothing 6 \times 35$ mm	x6
B		Cam Lock $\varnothing 15$ mm	x6
C		Screw Cap $\varnothing 15$ mm	x4
D		Screw Cup $\varnothing 15$ mm	x2
E		Wood Dowel $\varnothing 8 \times 30$ mm	x12
F		Screw M 7 x 50 mm	x6
G		Allen Key	x2
H		Shelf Pin	x8
I		Screw M 6 x 10.5 mm	x8

J		Screw M 4.5 x 12.5 mm	x68
K		Handle	x4
L		Screw M 4 x 22 mm	x4
M		Wedge	x20
N		Screw M 3.5 x 15.5 mm	x20
O		Joining Strip	x2
P		Bracket	x4
Q		Silicon Bumper	x4
LM20A1		Leg Metal	x5

HS26A		Hinge	x8
ST850		Anti-Deflection Bar	x2

What you need:

	Phillips Head Screwdriver
--	---------------------------

Wait!

Missing parts or hardware? Need assistance?
Contact us before returning your item. We're here to help!
609.256.9000 • cs@modway.com

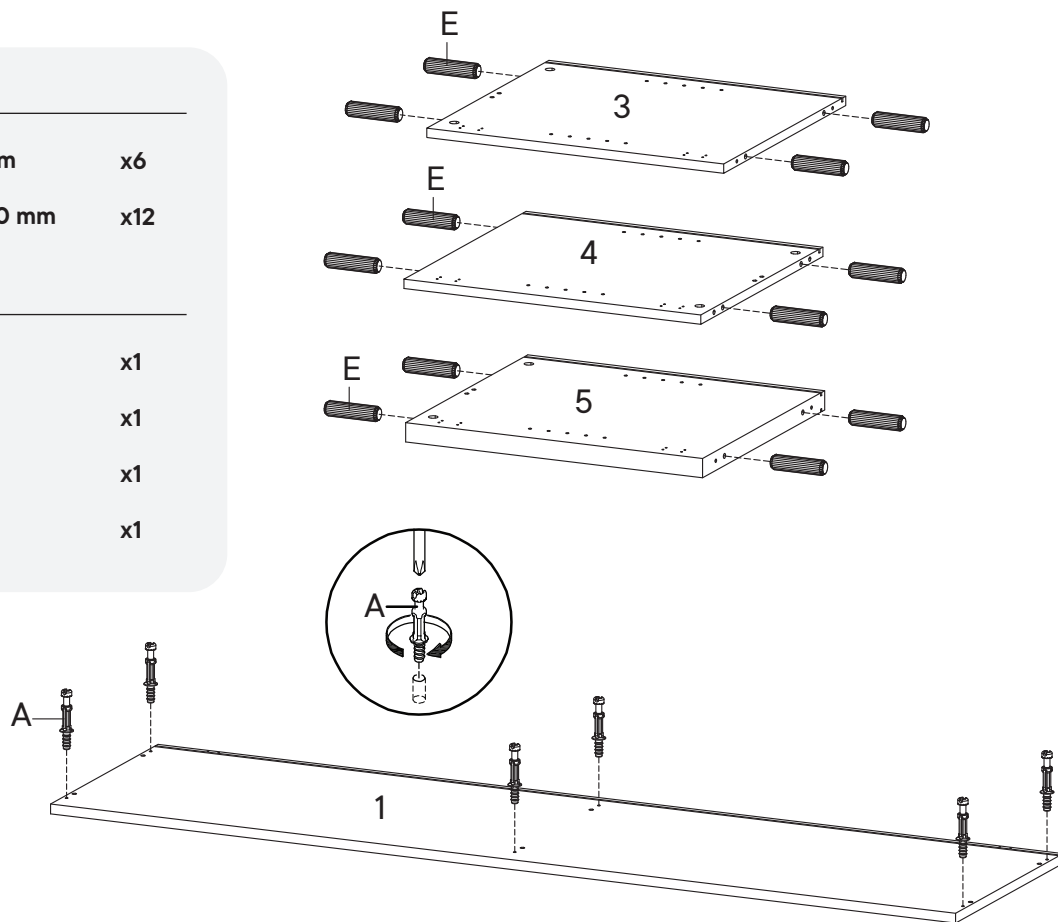
Step 1

HARDWARE

- A** Cam Bolt $\varnothing 6 \times 35$ mm x6
- E** Wood Dowel $\varnothing 8 \times 30$ mm x12

COMPONENTS

- 1** Top Board x1
- 3** Side Board Left x1
- 4** Side Board Right x1
- 5** Center Board x1



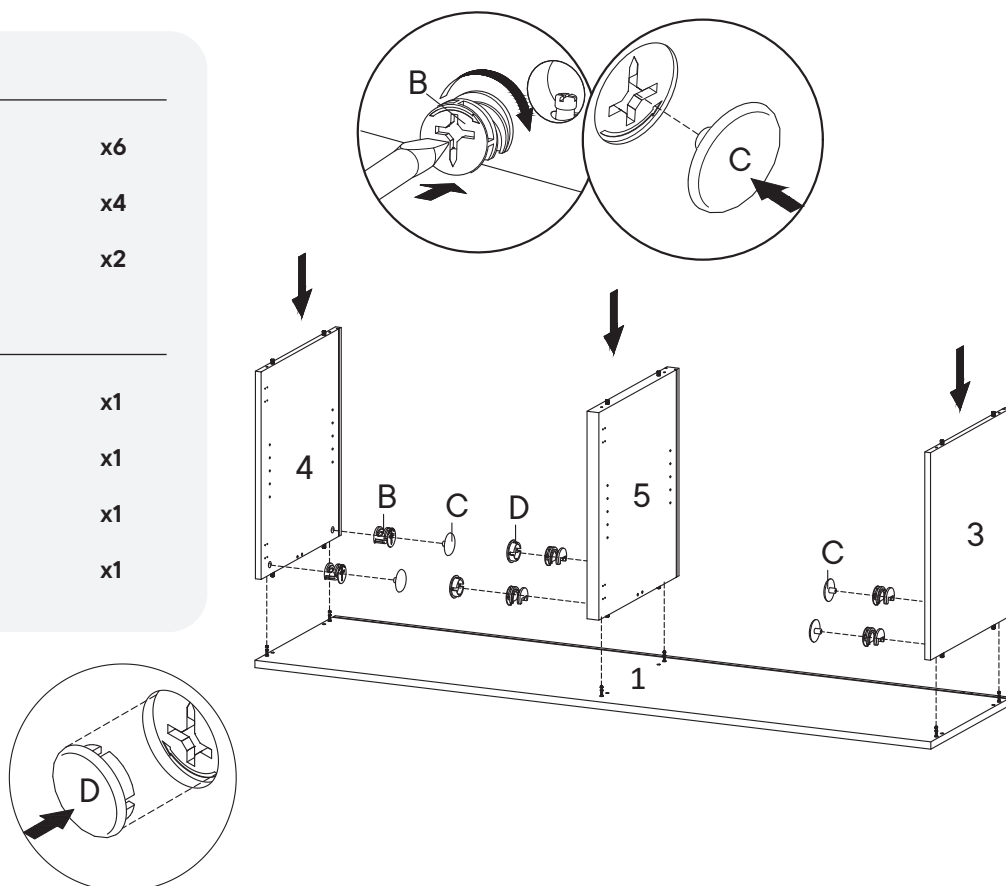
Step 2

HARDWARE

- B** Cam Lock $\varnothing 15$ mm x6
- C** Screw Cap $\varnothing 15$ mm x4
- D** Screw Cup $\varnothing 15$ mm x2

COMPONENTS

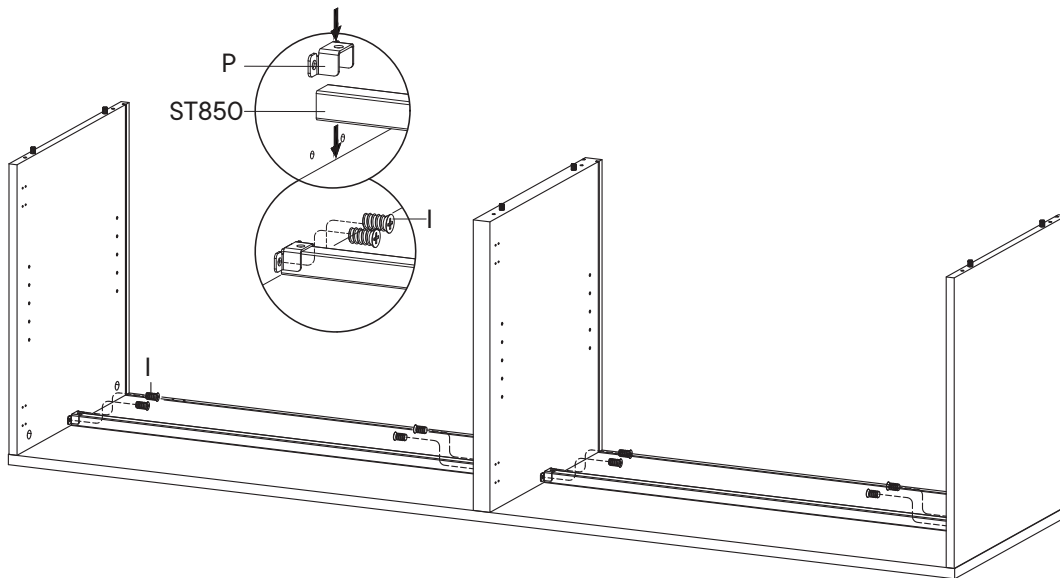
- 1** Top Board x1
- 3** Side Board Left x1
- 4** Side Board Right x1
- 5** Center Board x1



Step 3

HARDWARE

- I** Screw M 6 x 10.5 mm x8
- P** Bracket x4
- ST850** Anti - Deflecton Bar x2



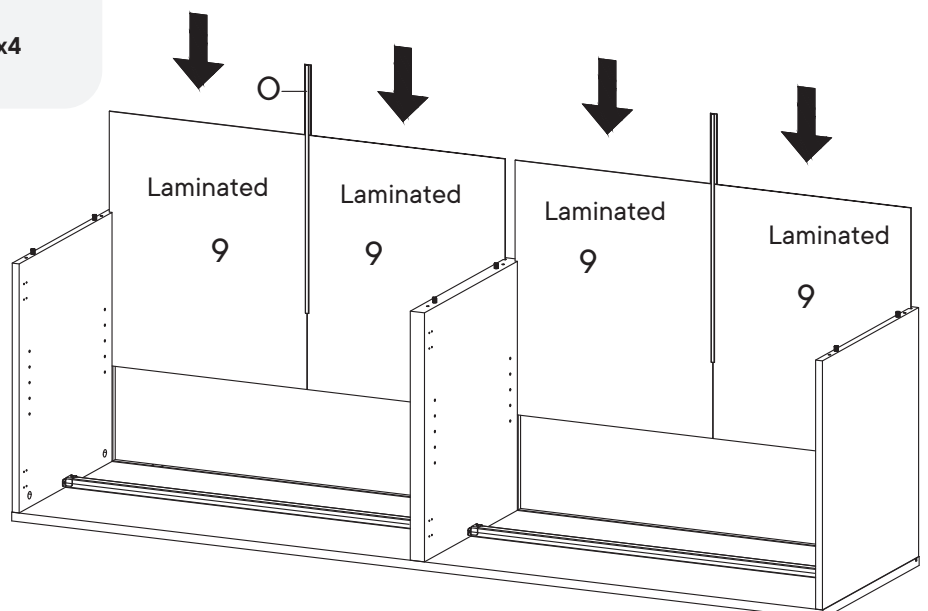
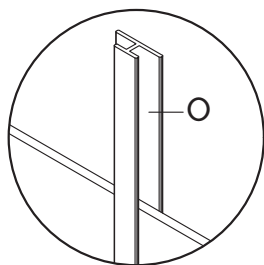
Step 4

HARDWARE

- O** Joining Strip x2

COMPONENTS

- 9** Back Board x4



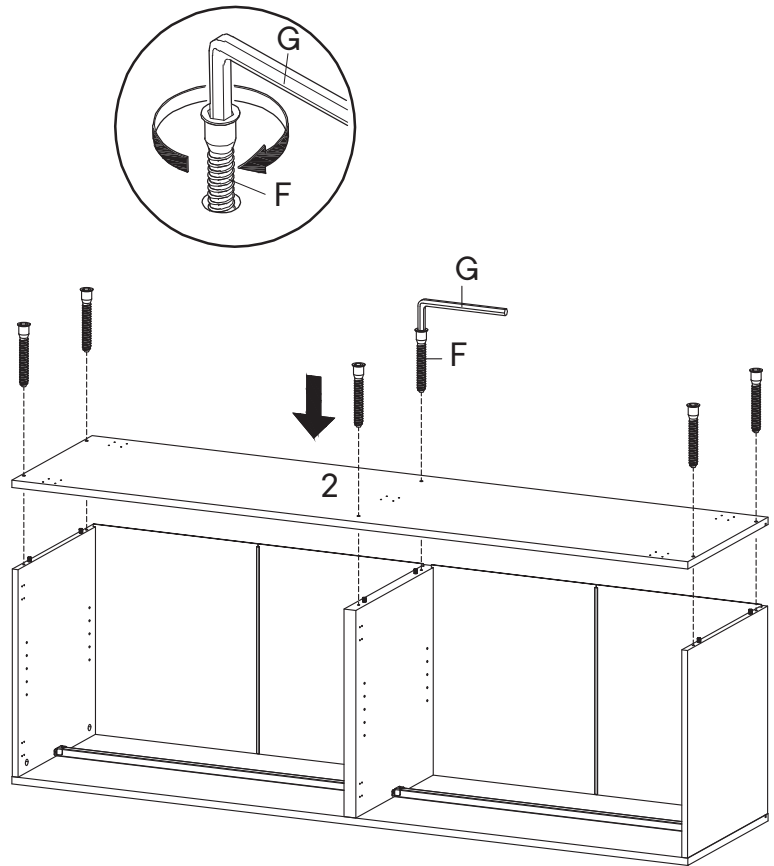
Step 5

HARDWARE

- F** Screw M 7 x 50 mm x6
- G** Allen Key x1

COMPONENTS

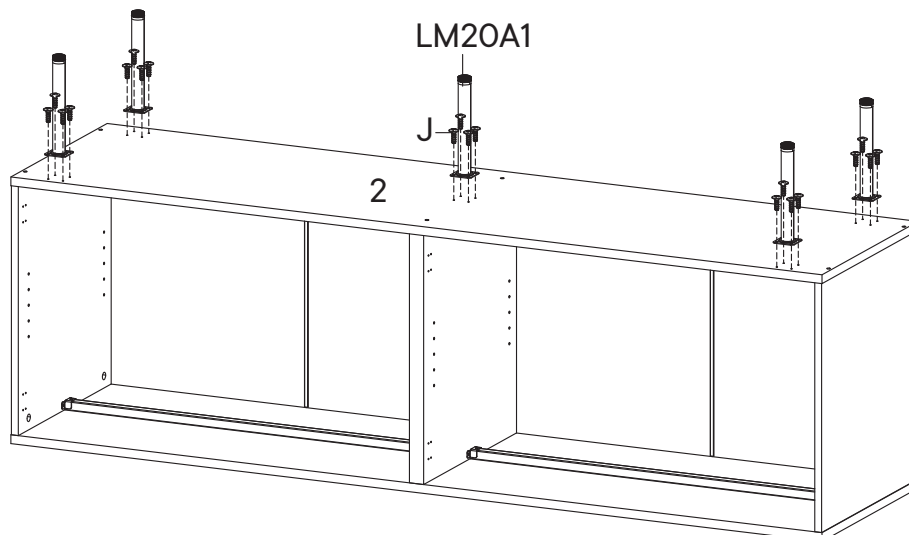
- 2** Bottom Board x1



Step 6

HARDWARE

- J** Screw M 4.5 x 12.5 mm x20
- LM20A1** Leg Metal x5



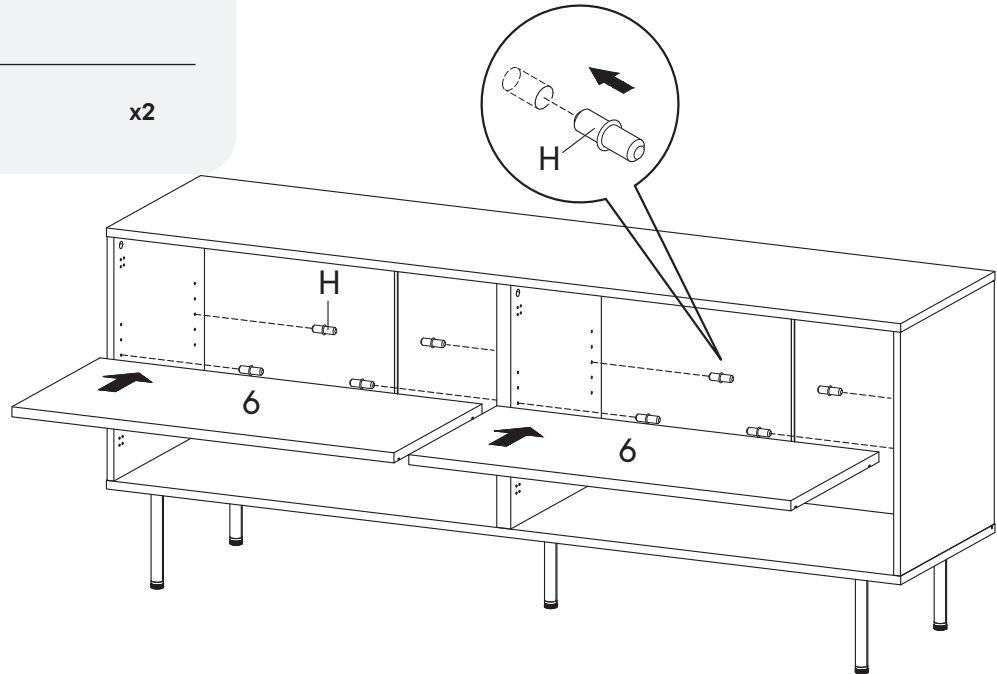
Step 7

HARDWARE

H Shelf Pin x8

COMPONENTS

6 Adjustable Shelf x2



Step 8

HARDWARE

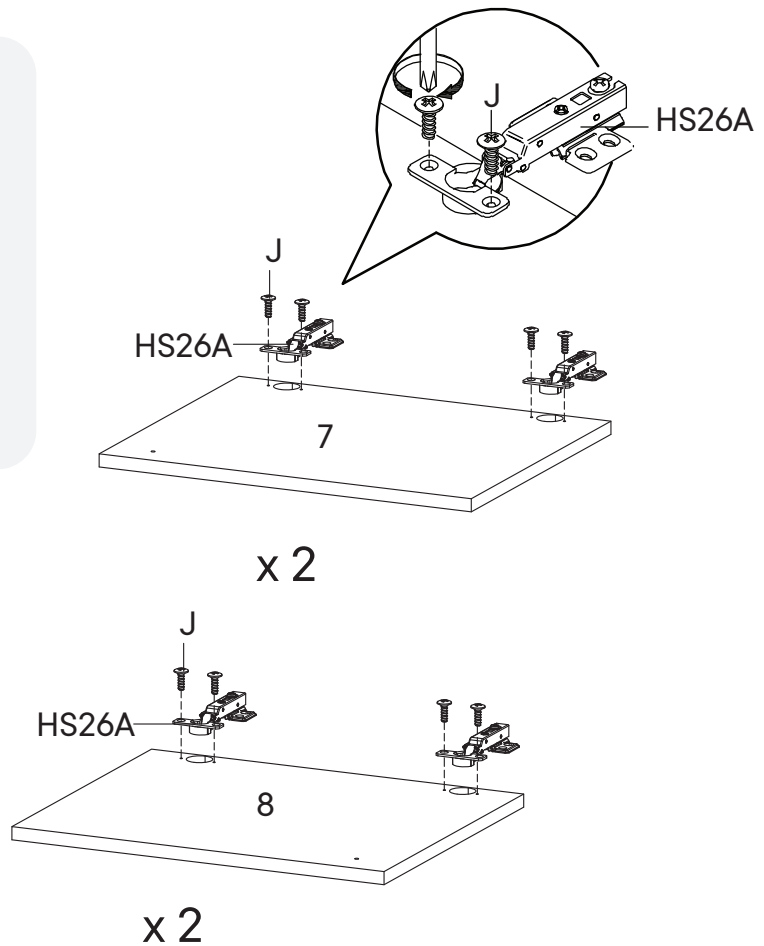
J Screw M 4.5 x 12.5 mm x16

HS26A Hinge x8

COMPONENTS

7 Door Left x2

8 Door Right x2



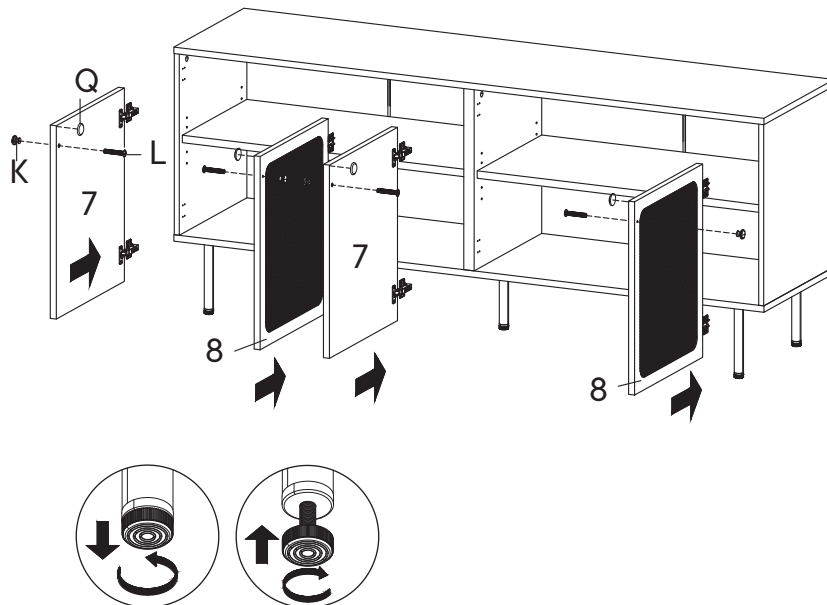
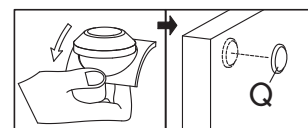
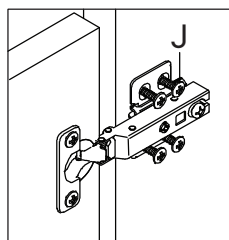
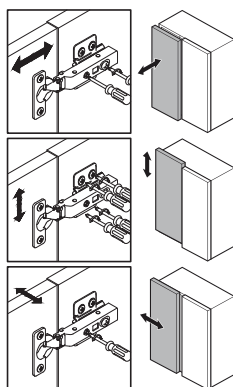
Step 9

HARDWARE

- J** Screw M 4.5 x 12.5 mm x32
- K** Handle x4
- L** Screw M 4 x 22 mm x4
- Q** Silicon Bumper x4

COMPONENTS

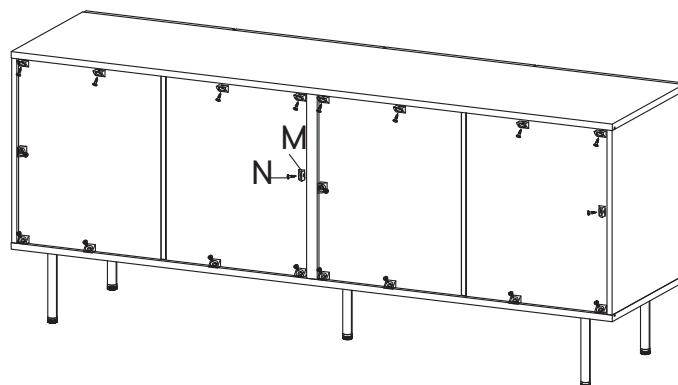
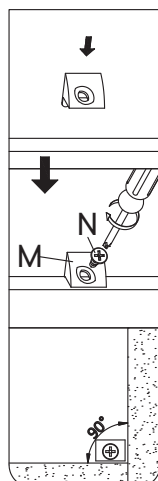
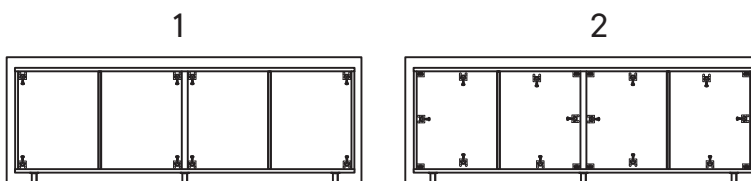
- 7** Door Left x2
- 8** Door Right x2



Step 10

HARDWARE

- M** Wedge x20
- N** Screw M 3.5 x 15.5 mm x20



Great job!

Sideboard assembly is complete.

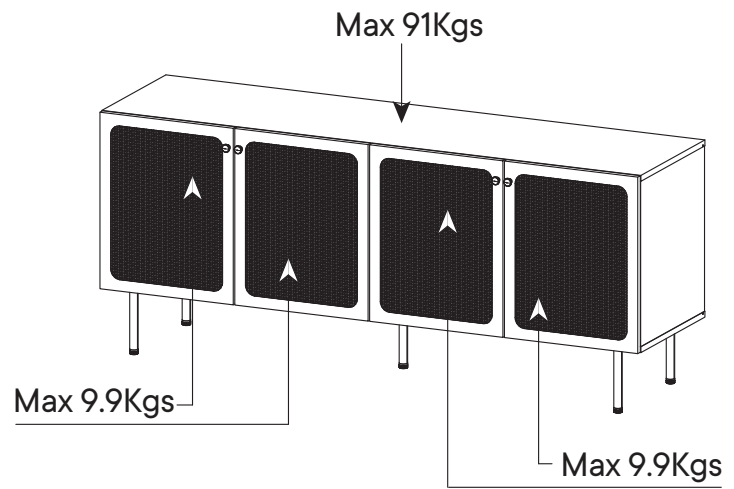
♥ CARING FOR YOUR ITEM

Indoor use only.

Not contract grade.

Clean using a non-abrasive cloth and a mild cleaner.

Never use harsh chemicals, as they could damage the finish or integrity of the item.



CONNECT WITH US!

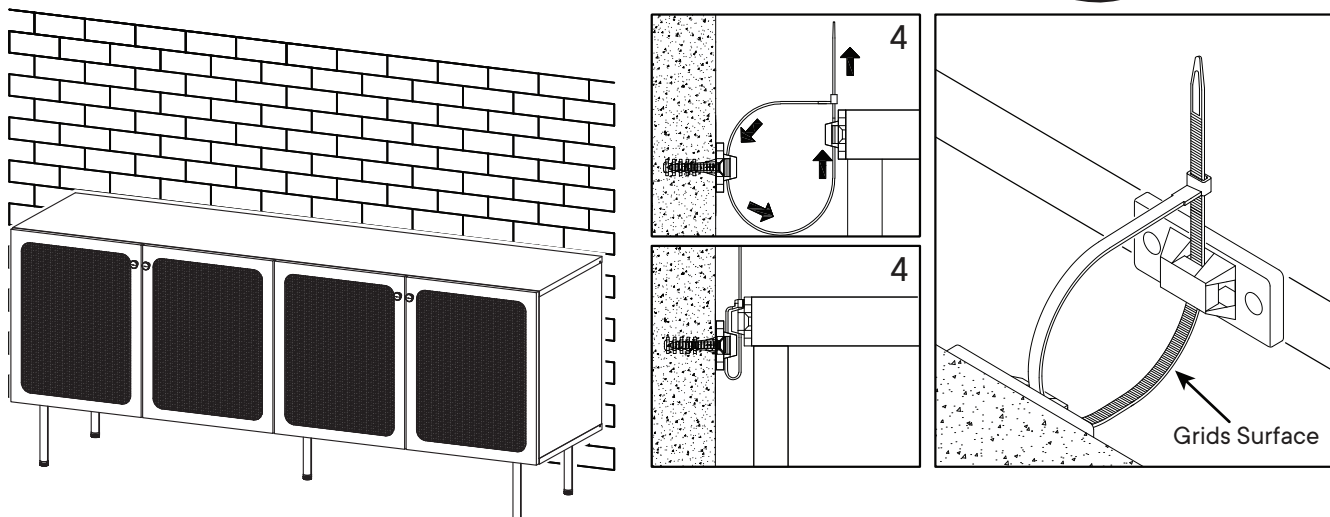
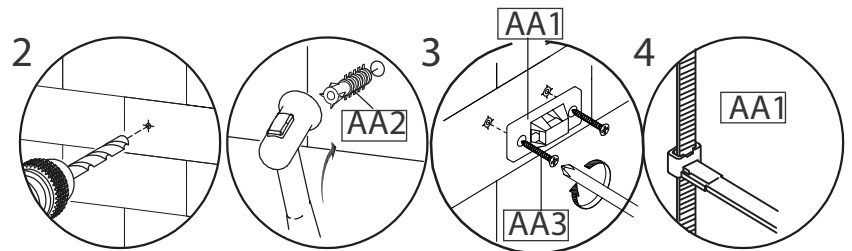
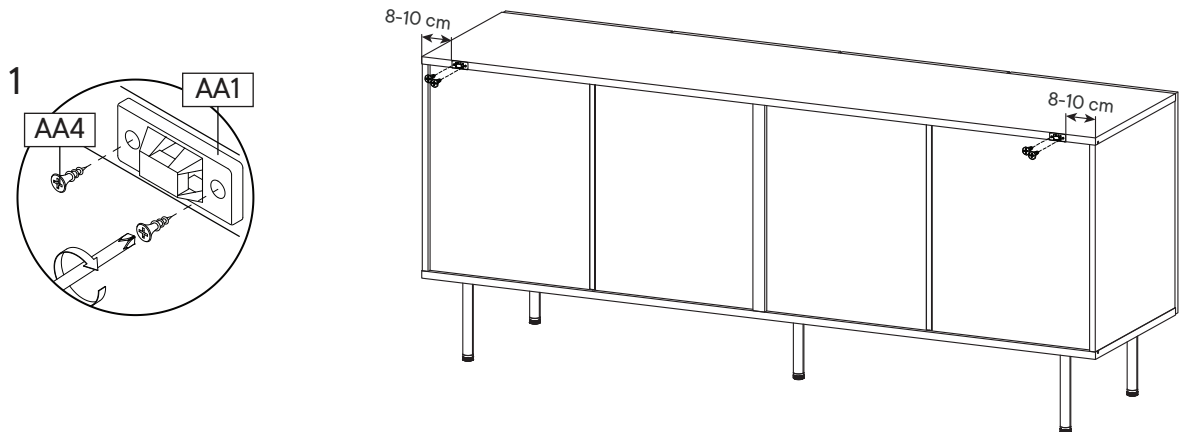
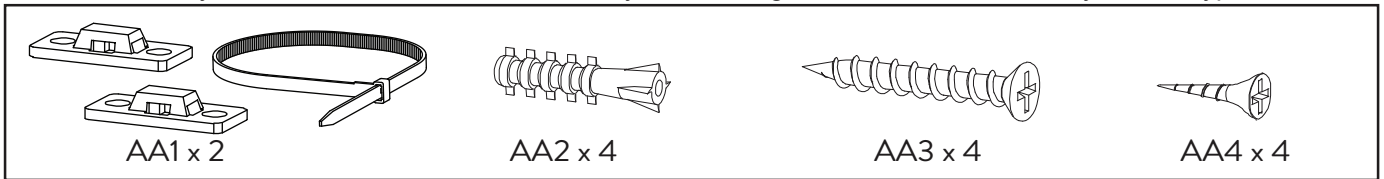
Tag us @modway_furniture and #modway for a chance to be featured.

TIPPING RESTRAINTS KIT INSTALLATION GUIDANCE

Different wall materials require unique wall fasteners.

The wall plugs (AA2) and screws (AA3) are designed for fixing to concrete walls only.

Please consult your local hardware store to ensure you are using the correct hardware for your wall type.



Installation Instructions :

1. Attach bracket (AA1) securely to the back top of the furniture using screw (AA4) provided. Allow 8 - 10 cm from each side.
2. Please make a hole for wall plugs position on the wall and minimum 15 mm below bracket secured to the back of unit attach the wall plugs (AA2).
3. Locate the other bracket (AA1) on the wall over wall plugs (AA2). Place furniture into position so both brackets (AA1) are vertically in the line.
4. Lace the end of the restraints strap through the larger hole in each bracket. Ensure the restraints strap with grids surface facing the inner loops. Bring both ends together and slide the flat end through the locking end and draw it through until all slack is removed.
5. Make sure that the strap is securely laced & locked.