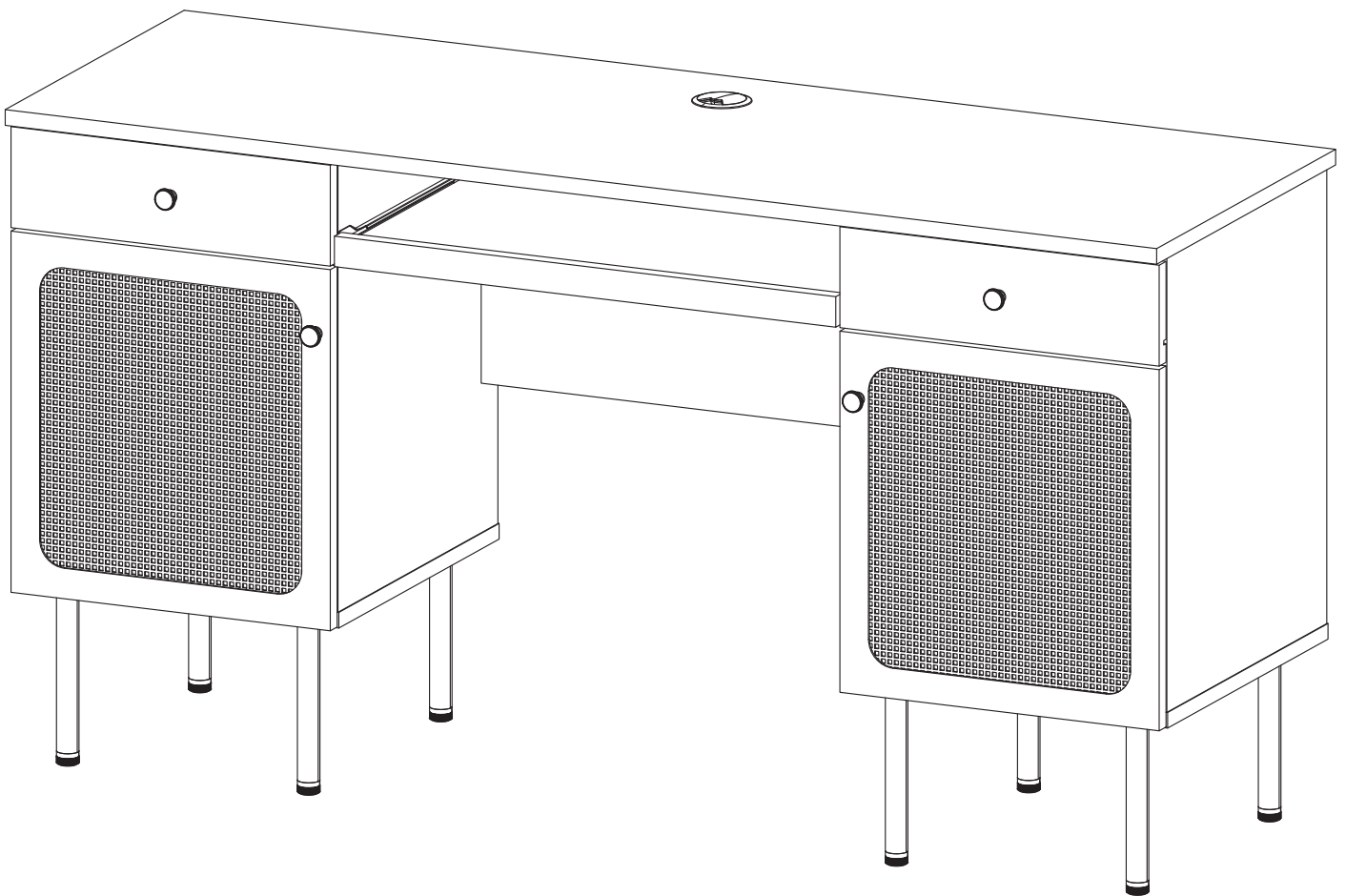


# ASSEMBLY INSTRUCTIONS

# EEI-6199

V0.09.09.22



**Questions? Contact us!**

609.256.9000 • [cs@modway.com](mailto:cs@modway.com)  
[www.modway.com](http://www.modway.com)

\*modway

# Let's get started!

\*modway



Read through all of the instructions before starting



Care instructions are listed in the last step of this manual



Approx. 90 minutes assembly time



Make sure you have all parts and components before discarding any packing materials



2 people recommended for assembly

**Only use hand tools to assemble this item.** Do not use power tools. Do not tighten bolts or screws completely until all hardware is lined up and inserted into the holes.

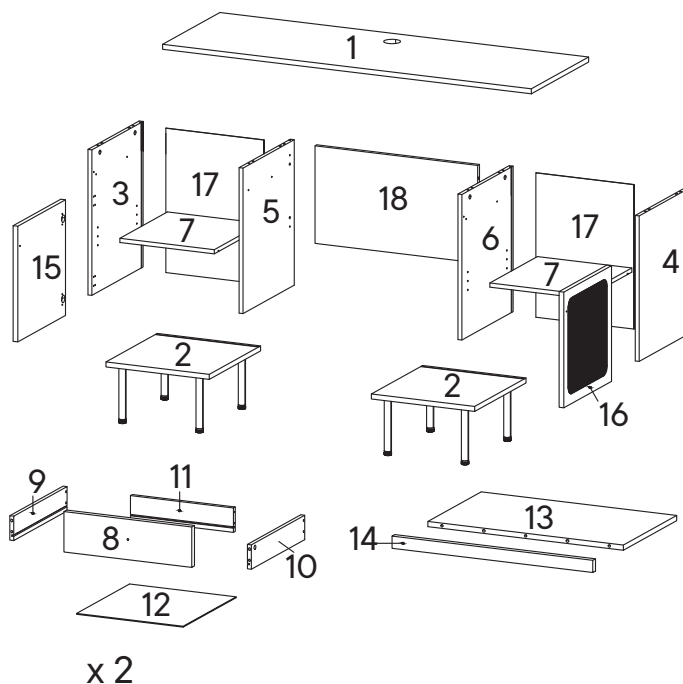
Do not over-tighten screws and bolts to avoid stripping the hardware or cracking the item.

Assemble your item on a flat, carpeted area, with plenty of space to work. This will prevent damage and scratches to your floors or the item while you're assembling the product.

Keep all components and packaging out of reach of children or animals to avoid risk of choking or suffocation.

## Furniture components:

1	Top Board	x1	11	Back Drawer	x2
2	Bottom Board	x2	12	Bottom Drawer	x2
3	Side Board Left	x1	13	Keyboard Drawer Base	x1
4	Side Board Right	x1	14	Front Skirt	x1
5	Center Board Left	x1	15	Door Left	x1
6	Center Board Right	x1	16	Door Right	x1
7	Adjustable Shelf	x2	17	Back Board 1	x2
8	Front Drawer	x2	18	Back Board 2	x1
9	Side Drawer Left	x2			
10	Side Drawer Right	x2			



## Provided hardware:

A		Cam Bolt $\varnothing 6 \times 35$ mm	x19	J		Screw M 4.5 x 12.5 mm	x56	HS26A		Hinge	x4
B		Cam Lock $\varnothing 15$ mm	x15	K		Grommet Cover	x1	RM35A		Drawer Runner	x2
C		Wood Dowel $\varnothing 8 \times 30$ mm	x22	L		Screw M 6 x 10.5 mm	x20	RB25A		Keyboard Drawer Runner	x1
D		Allen Key	x2	M		Screw M 8 x 39 mm	x8				
E		Screw M 7 x 50 mm	x8	N		Wedge	x20				
F		Cam Lock $\varnothing 12$ mm	x4	O		Screw M 3.5 x 15.5 mm	x20				
G		Wood Dowel $\varnothing 6 \times 30$ mm	x4	P		Handle	x4				
H		Screw M 3.5 x 13 mm	x12	Q		Screw M 4 x 22 mm	x4				
I		Shelf Pin	x8	LM20A1		Leg Metal	x8				

## What you need:

Phillips Head Screwdriver

Wait!

Missing parts or hardware? Need assistance?  
Contact us before returning your item. We're here to help!  
609.256.9000 • cs@modway.com

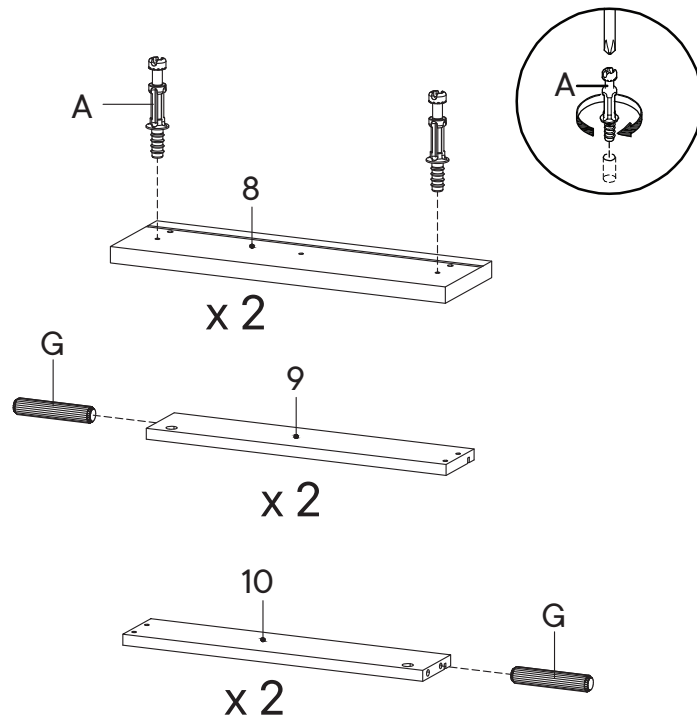
# Step 1

## HARDWARE

- A** Cam Bolt  $\varnothing 6 \times 35$  mm x4
- G** Wood Dowel  $\varnothing 6 \times 30$  mm x4

## COMPONENTS

- 8** Front Drawer x2
- 9** Side Drawer Left x2
- 10** Side Drawer Right x2



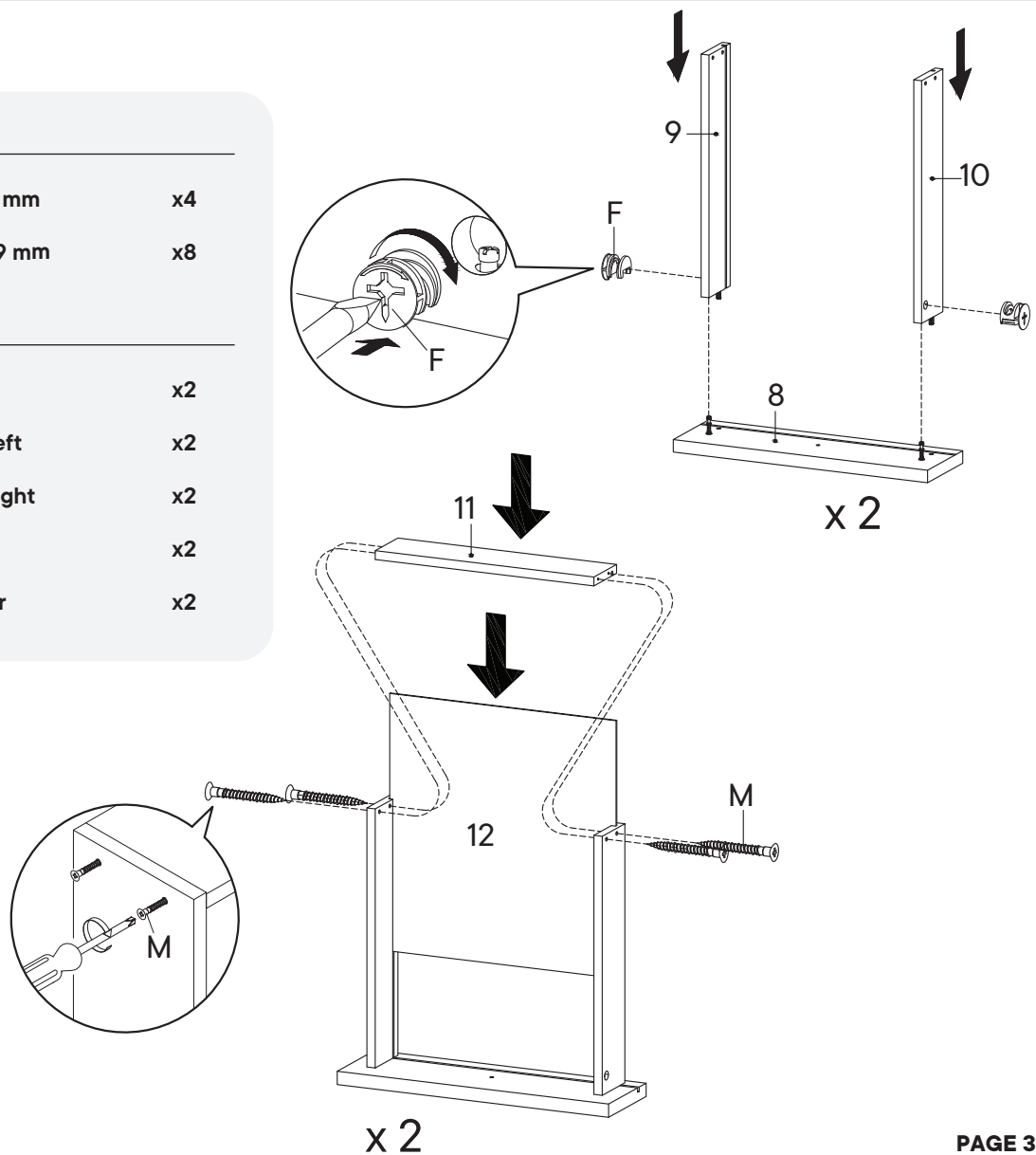
# Step 2

## HARDWARE

- F** Cam Lock  $\varnothing 12$  mm x4
- M** Screw M 8 x 39 mm x8

## COMPONENTS

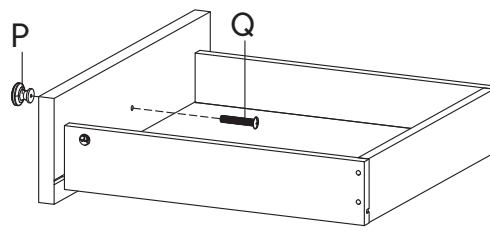
- 8** Front Drawer x2
- 9** Side Drawer Left x2
- 10** Side Drawer Right x2
- 11** Back Drawer x2
- 12** Bottom Drawer x2



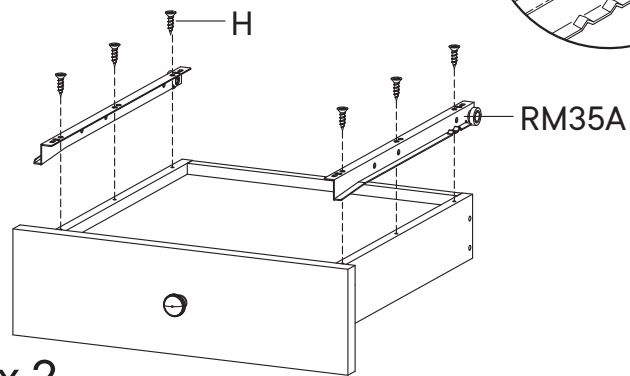
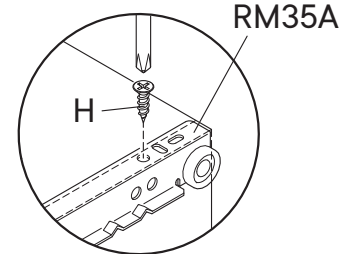
# Step 3

## HARDWARE

- H** Screw M 3.5 x 13 mm x12
- P** Handle x2
- Q** Screw M 4 x 22 mm x2
- RM35A** Drawer Runner x2



x 2

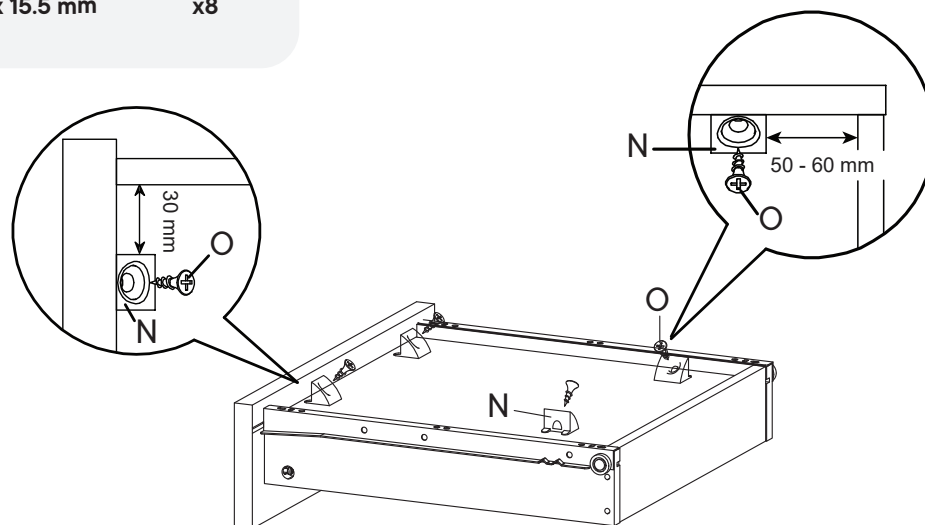


x 2

# Step 4

## HARDWARE

- N** Wedge x8
- O** Screw M 3.5 x 15.5 mm x8



x 2

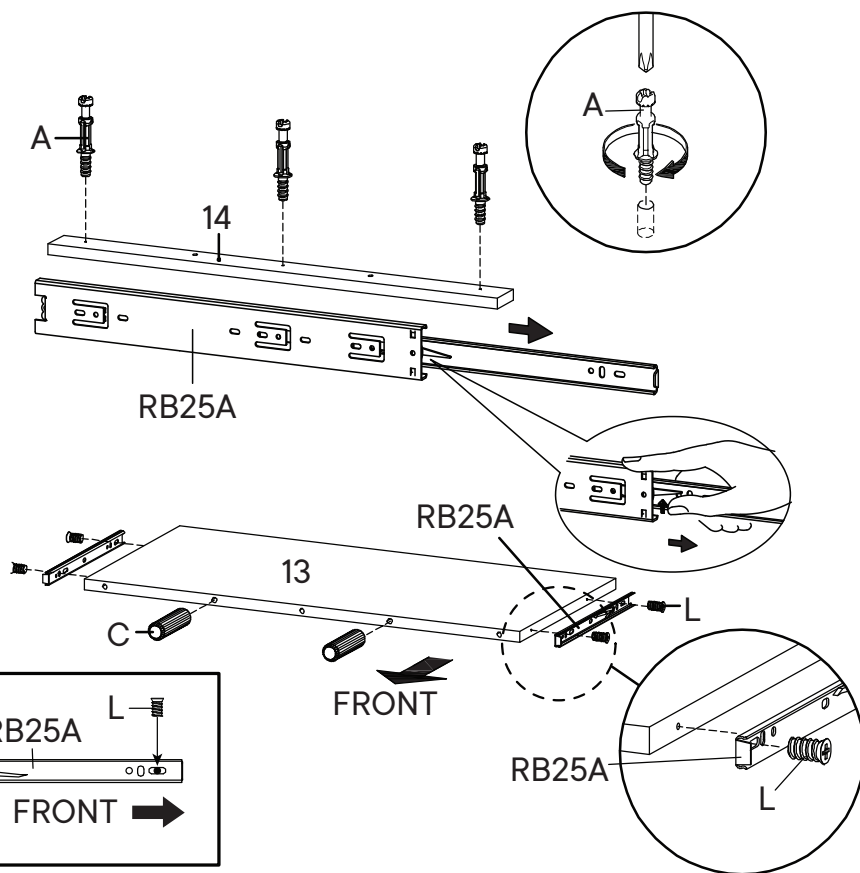
# Step 5

## HARDWARE

- A** Cam Bolt  $\varnothing 6 \times 35$  mm x3
- C** Wood Dowel  $\varnothing 8 \times 30$  mm x2
- L** Screw M 6 x 10.5 mm x4
- RB25A** Keyboard Drawer Runner x1

## COMPONENTS

- 13** Keyboard Drawer Base x1
- 14** Front Skirt x1



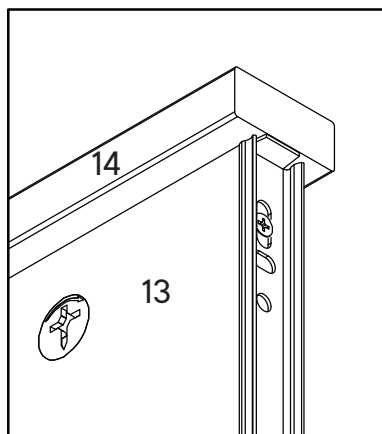
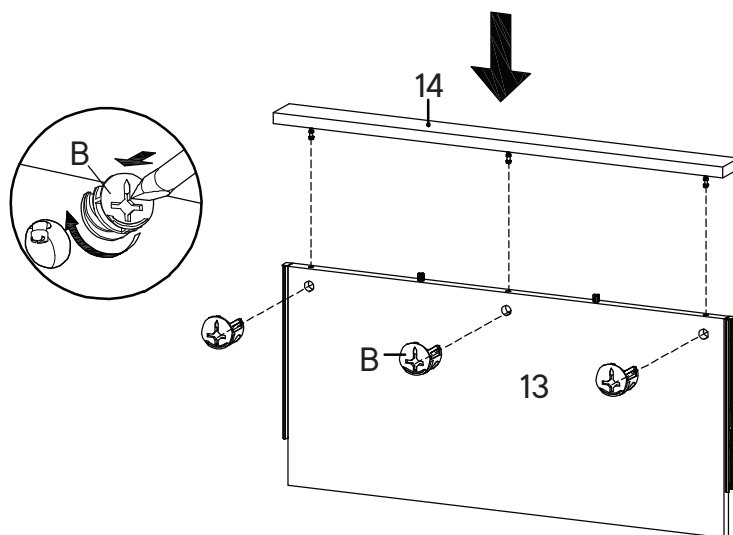
# Step 6

## HARDWARE

- B** Cam Lock  $\varnothing 15$  mm x3

## COMPONENTS

- 13** Keyboard Drawer Base x1
- 14** Front Skirt x1



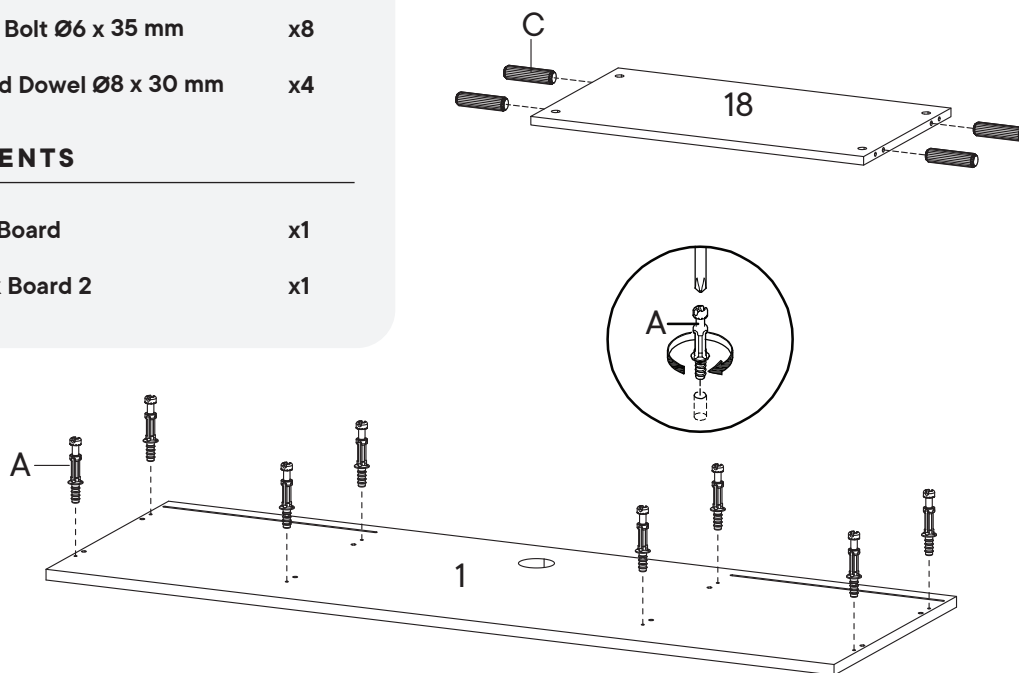
# Step 7

## HARDWARE

- A** Cam Bolt  $\varnothing 6 \times 35$  mm x8
- C** Wood Dowel  $\varnothing 8 \times 30$  mm x4

## COMPONENTS

- 1** Top Board x1
- 18** Back Board 2 x1



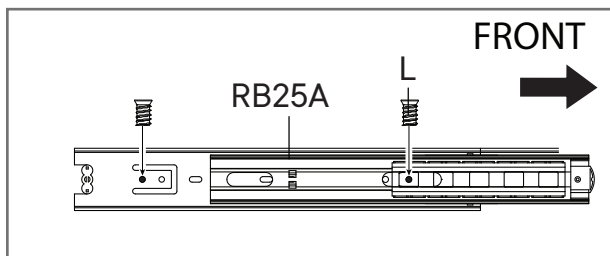
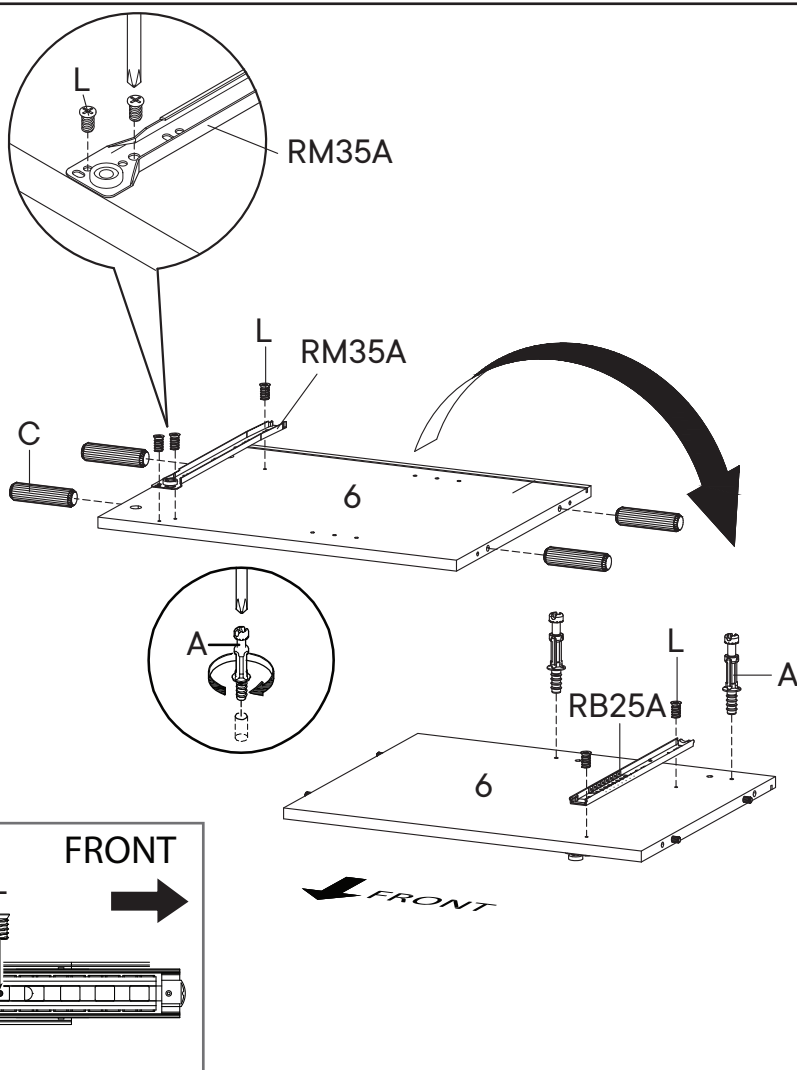
# Step 8

## HARDWARE

- A** Cam Bolt  $\varnothing 6 \times 35$  mm x2
- C** Wood Dowel  $\varnothing 8 \times 30$  mm x4
- L** Screw M 6 x 10.5 mm x5
- RM35A** Drawer Runner x1
- RB25A** Keyboard Drawer Runner x1

## COMPONENTS

- 6** Center Board Right x1



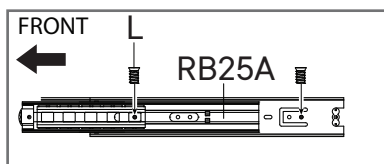
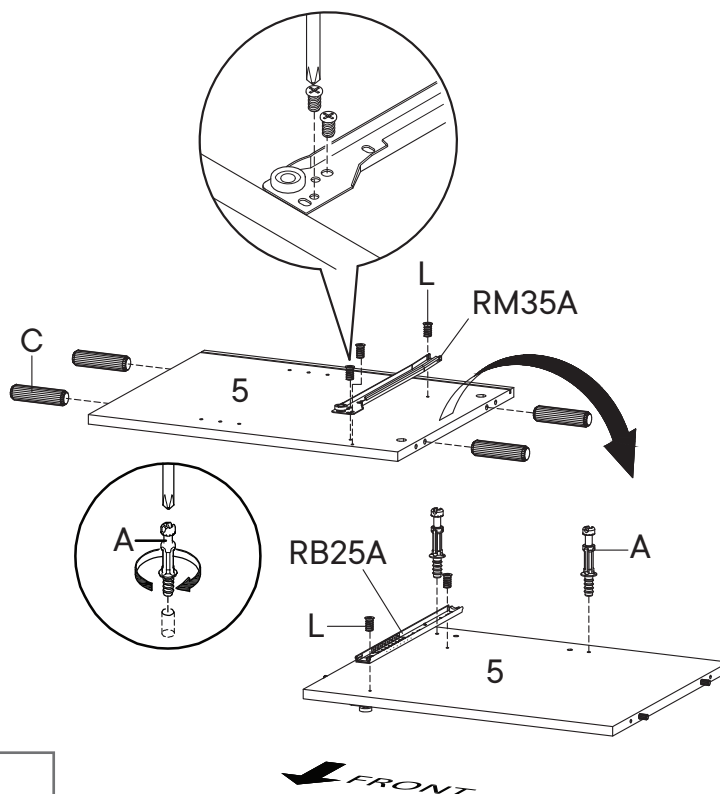
# Step 9

## HARDWARE

- A** Cam Bolt Ø6 x 35 mm x2
- C** Wood Dowel Ø8 x 30 mm x4
- L** Screw M 6 x 10.5 mm x5
- RM35A** Drawer Runner x1
- RB25A** Keyboard Drawer Runner x1

## COMPONENTS

- 5** Center Board Left x1



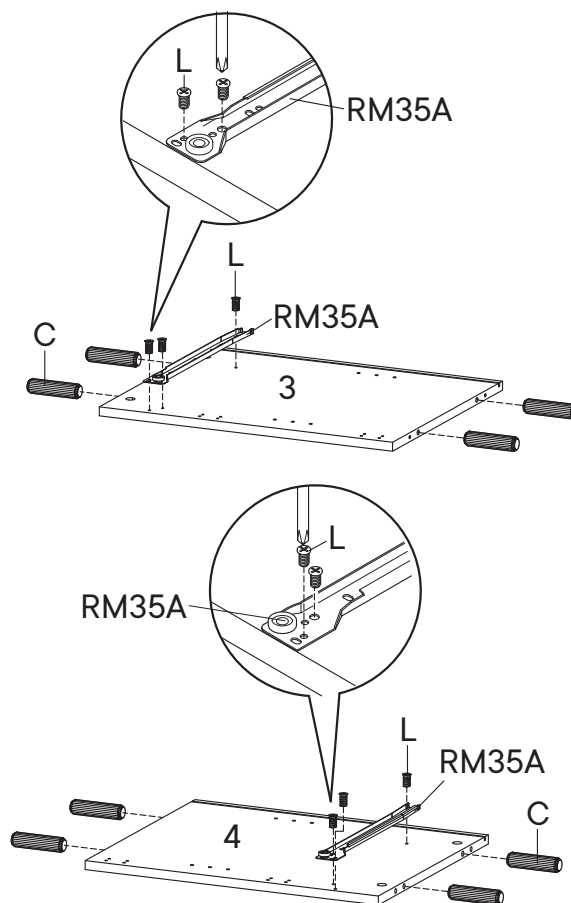
# Step 10

## HARDWARE

- C** Wood Dowel Ø8 x 30 mm x8
- L** Screw M 6 x 10.5 mm x6
- RM35A** Drawer Runner x1

## COMPONENTS

- 3** Side Board Left x1
- 4** Side Board Right x1



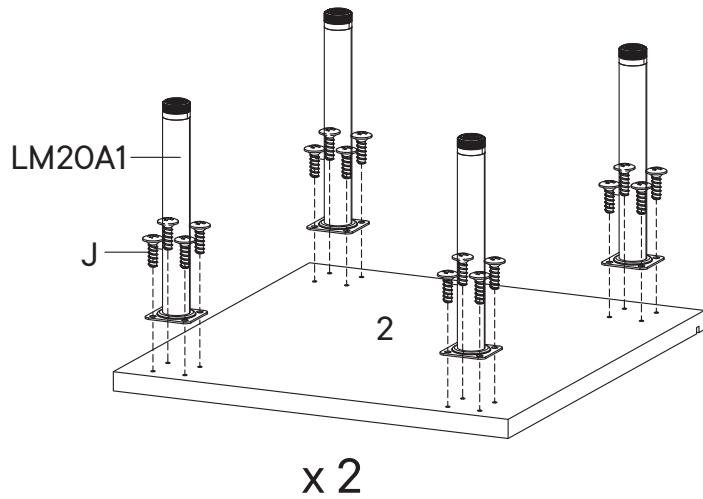
# Step 11

## HARDWARE

- J** Screw M 4.5 x 12.5 mm x32
- LM20A1** Leg Metal x8

## COMPONENTS

- 2** Bottom Board x2



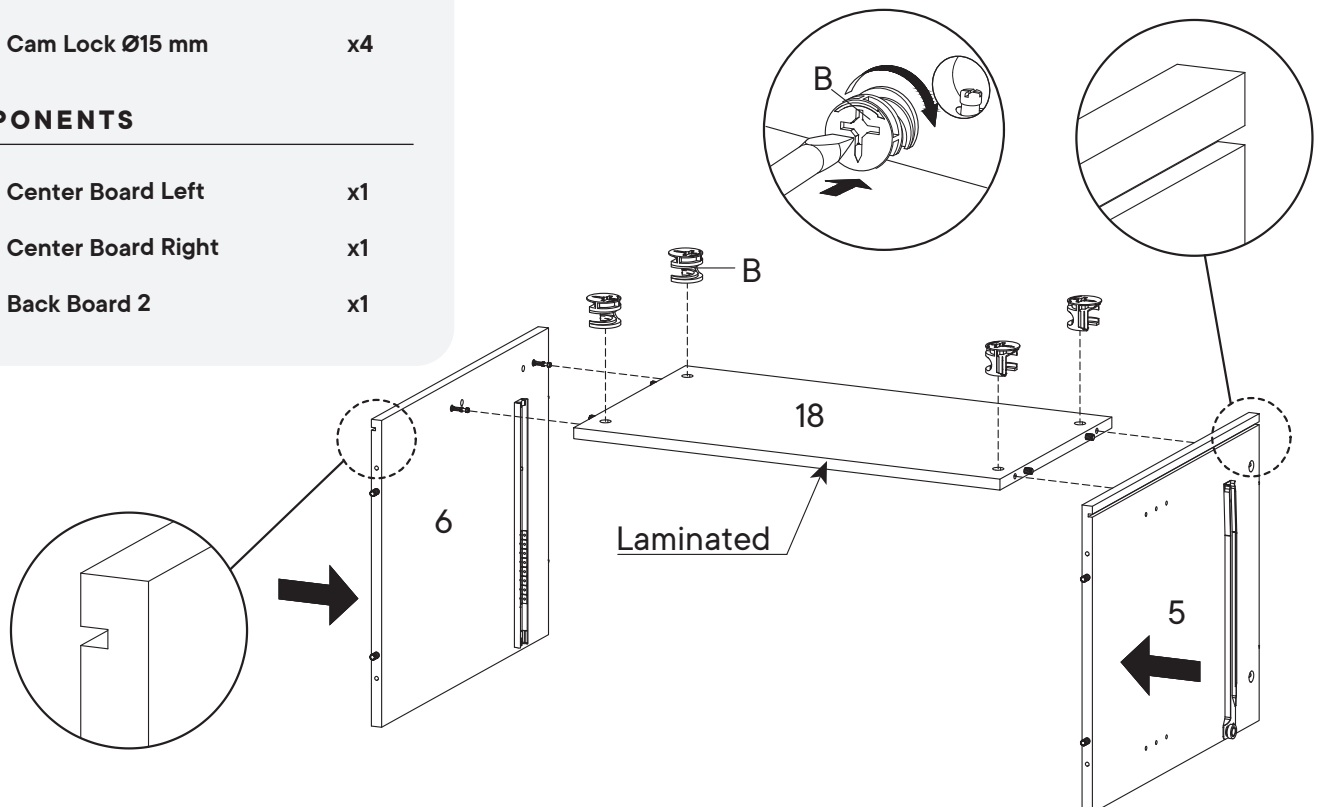
# Step 12

## HARDWARE

- B** Cam Lock Ø15 mm x4

## COMPONENTS

- 5** Center Board Left x1
- 6** Center Board Right x1
- 18** Back Board 2 x1





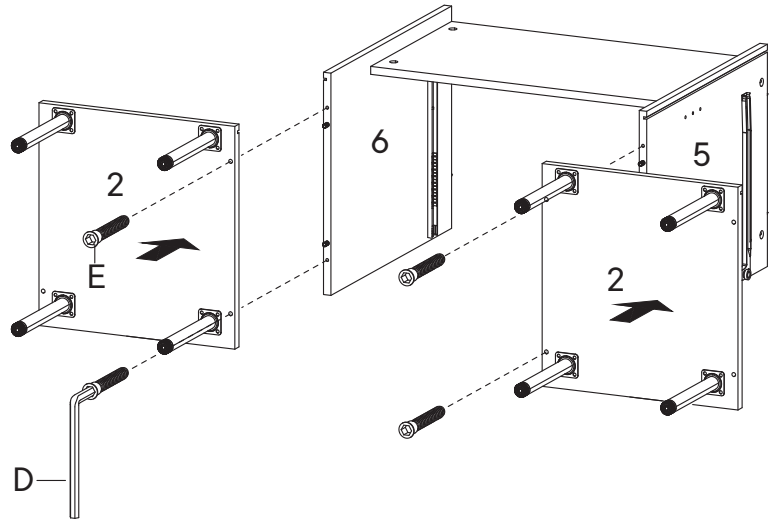
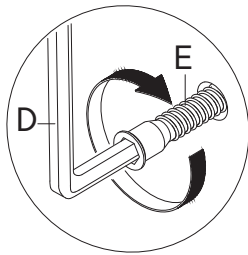
# Step 13

## HARDWARE

- D** Allen Key x1
- E** Screw M 7 x 50 mm x4

## COMPONENTS

- 2** Bottom Board x2



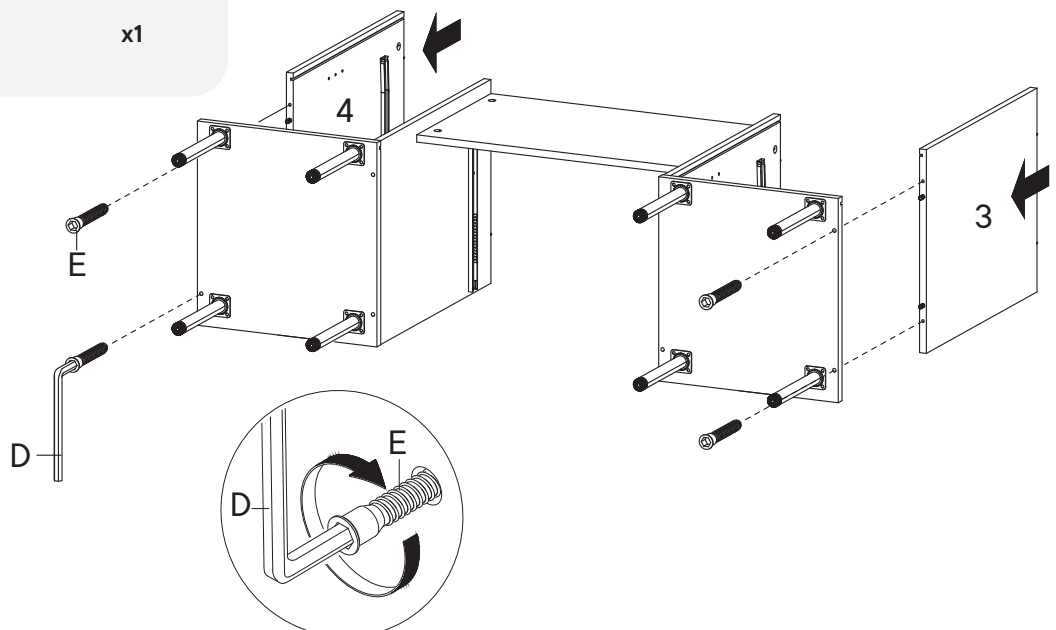
# Step 14

## HARDWARE

- D** Allen Key x1
- E** Screw M 7 x 50 mm x4

## COMPONENTS

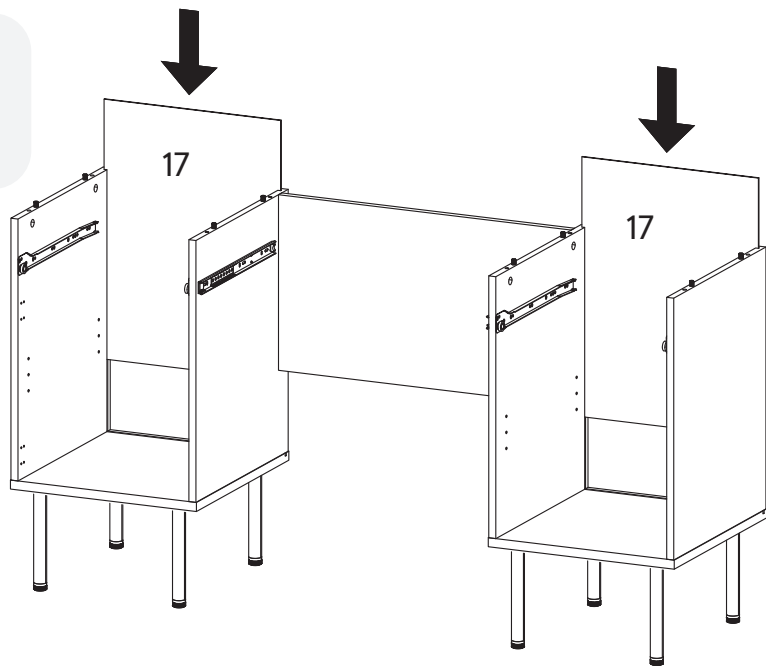
- 3** Side Board Left x1
- 4** Side Board Right x1



# Step 15

## COMPONENT

17 Back Board 1 x2



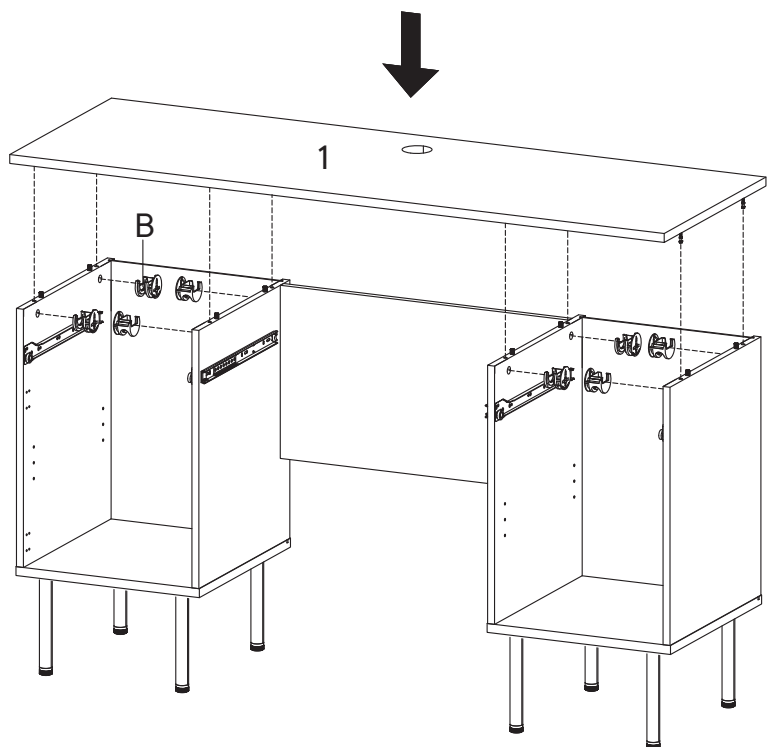
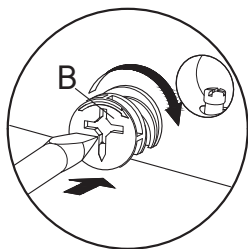
# Step 16

## HARDWARE

B Cam Lock Ø15 mm x8

## COMPONENTS

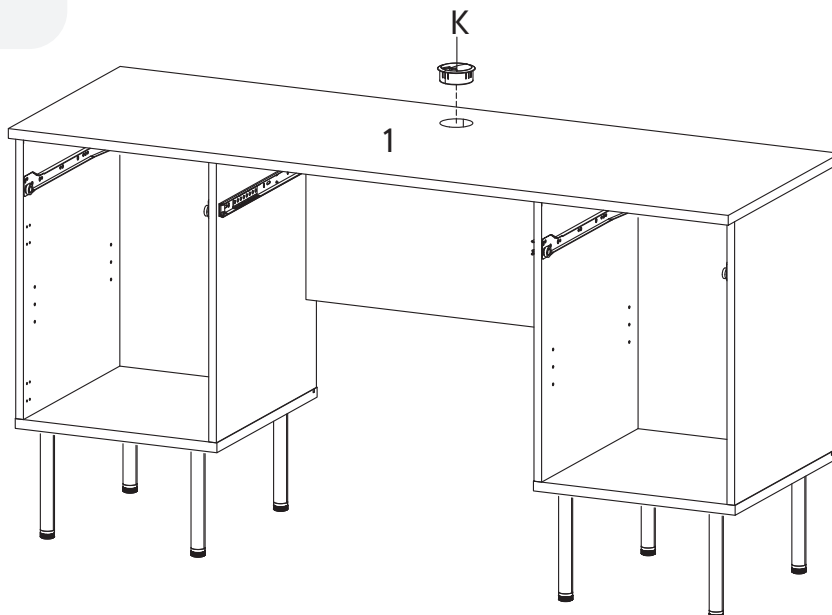
1 Top Board x1



# Step 17

## HARDWARE

**K** Grommet Cover x1



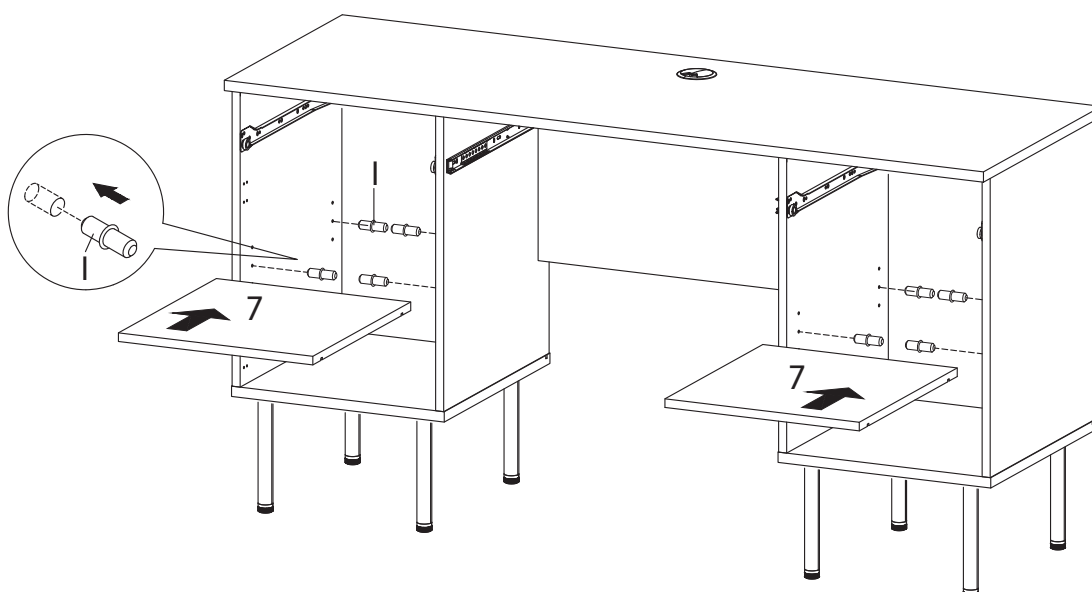
# Step 18

## HARDWARE

**I** Shelf Pin x8

## COMPONENTS

**7** Adjustable Shelf x2



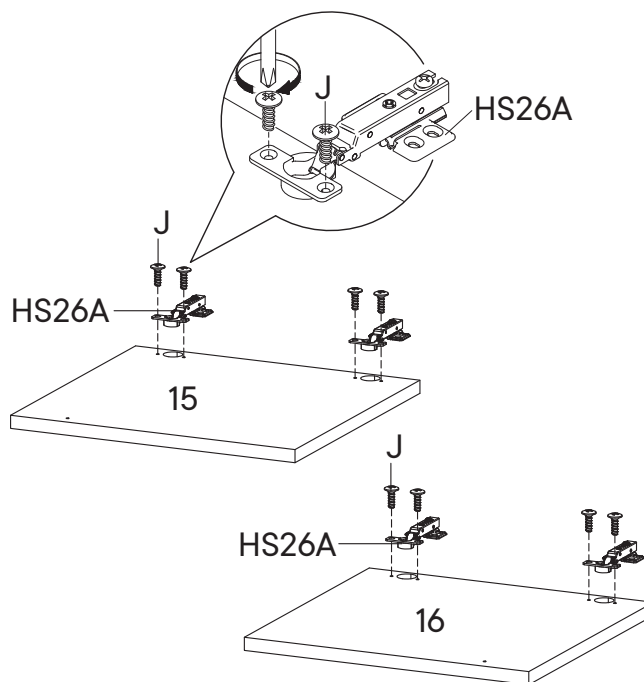
# Step 19

## HARDWARE

- J** Screw M 4.5 x 12.5 mm x8
- HS26A** Hinge x4

## COMPONENTS

- 15** Door Left x1
- 16** Door Right x1



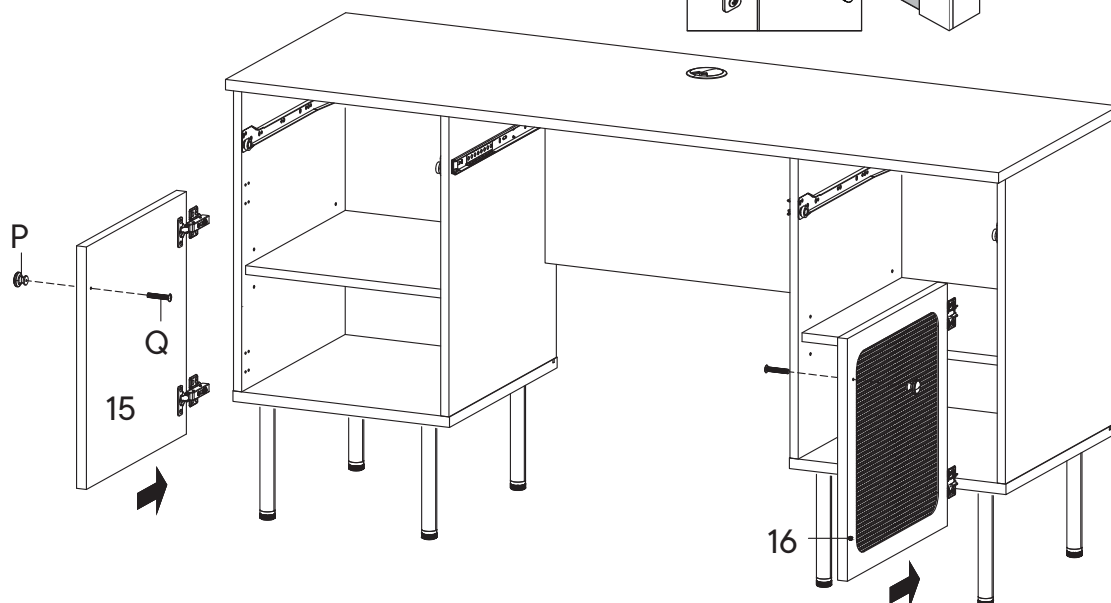
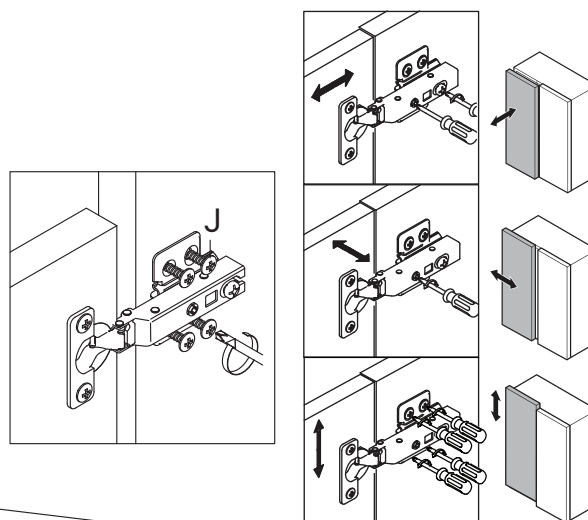
# Step 20

## HARDWARE

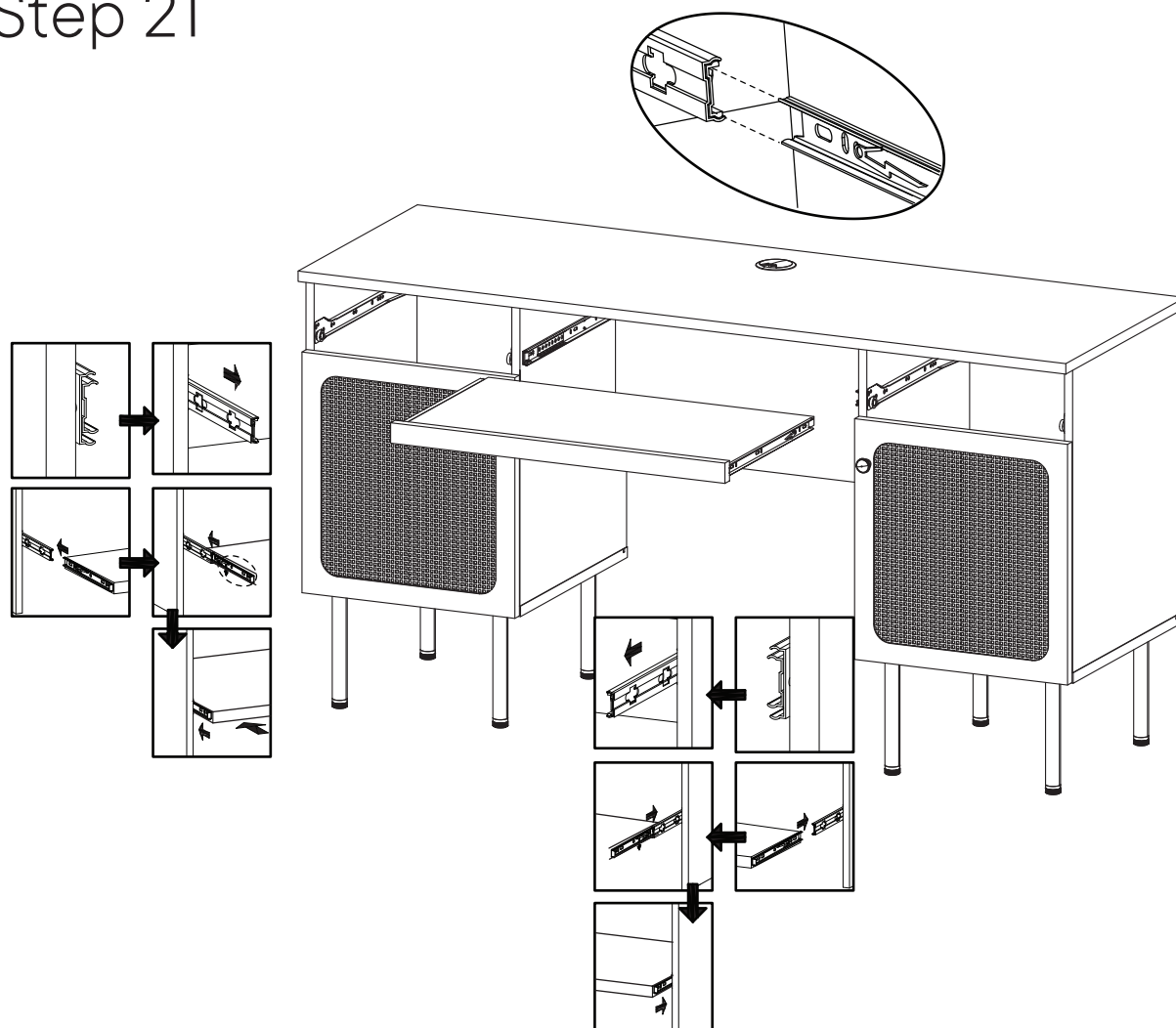
- J** Screw M 4.5 x 12.5 mm x16
- P** Handle x2
- Q** Screw M 4 x 22 mm x2

## COMPONENTS

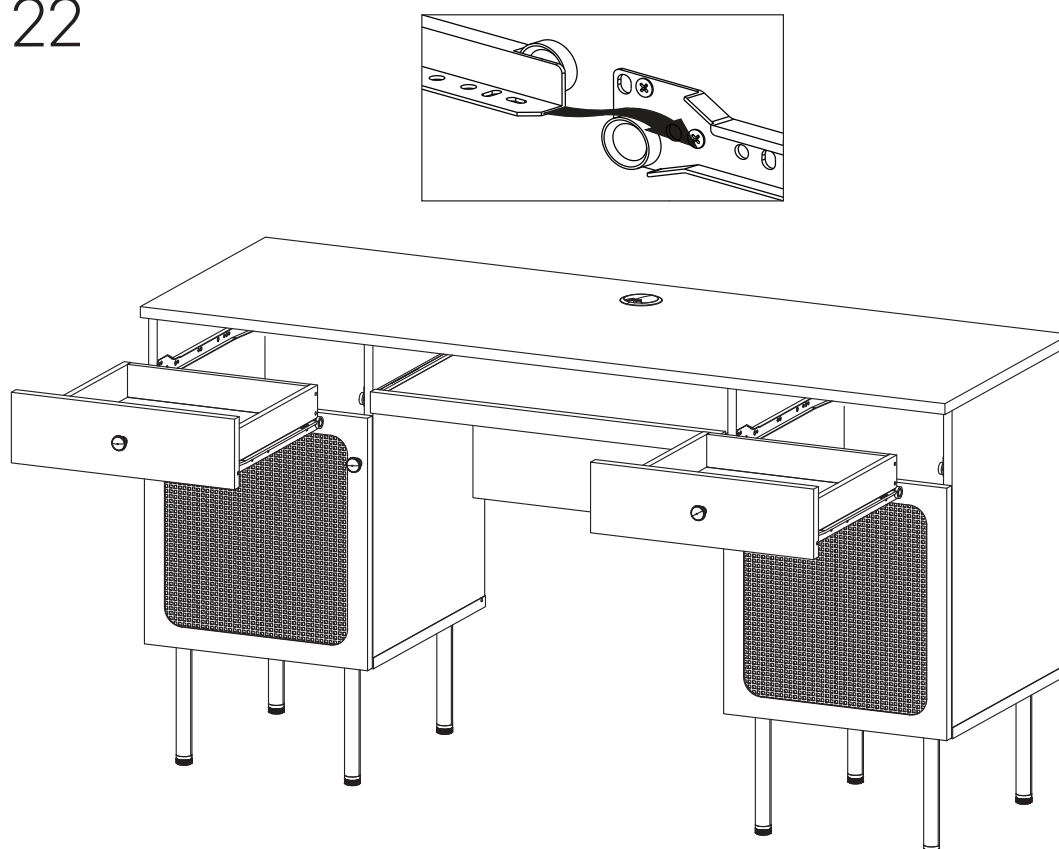
- 15** Door Left x1
- 16** Door Right x1



## Step 21



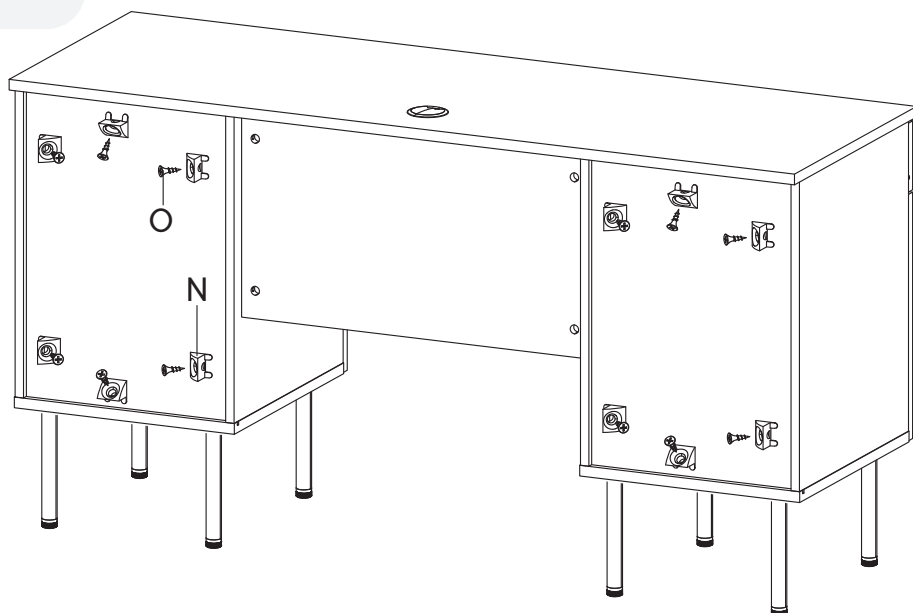
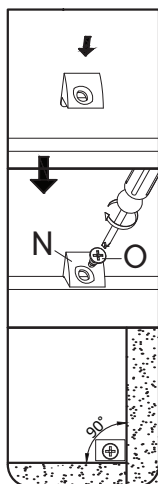
## Step 22



# Step 23

## HARDWARE

- N** Wedge x12
- O** Screw M 3.5 x 15.5 mm x12



# Great job!

Desk assembly is complete

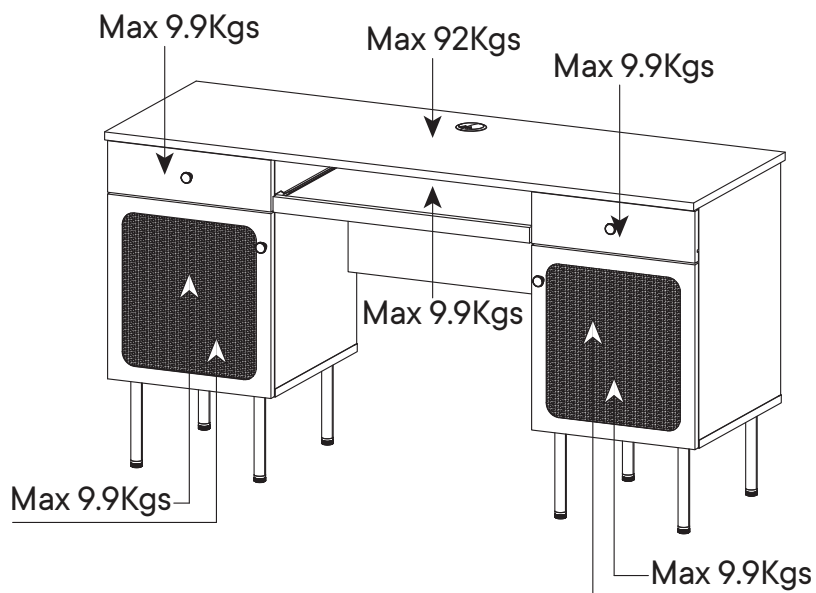
## ♥ CARING FOR YOUR ITEM

Indoor use only.

Not contract grade.

Clean using a non-abrasive cloth and a mild cleaner.

Never use harsh chemicals, as they could damage the finish or integrity of the item.



CONNECT WITH US!   

Tag us @modway\_furniture and #modway for a chance to be featured.