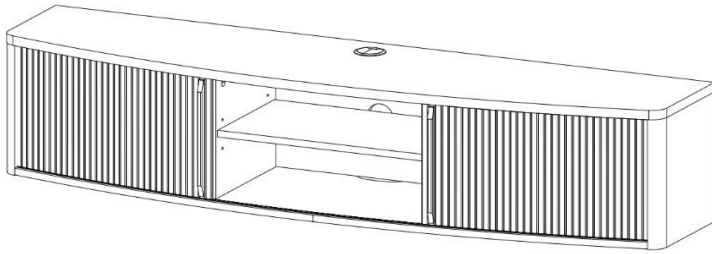


















## TAMBOUR WALL MOUNT TV 150

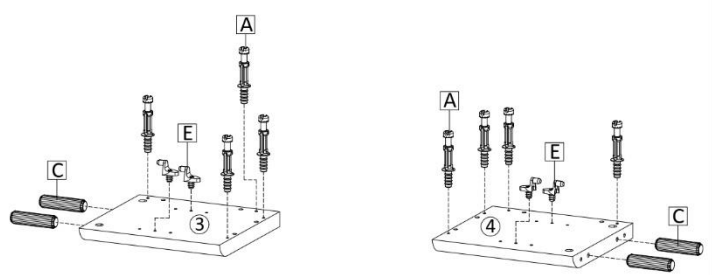





Hardware

|                                                                                             |                                                                                             |                                                                                             |                                                                                             |
|---------------------------------------------------------------------------------------------|---------------------------------------------------------------------------------------------|---------------------------------------------------------------------------------------------|---------------------------------------------------------------------------------------------|
| A x 20<br> | B x 20<br> | C x 28<br> | D x 10<br> |
| E x 12<br> | F x 4<br>  | G x 2<br>  | H x 1<br>  |
| I x 10<br> | J x 10<br> | K x 10<br> | L x 10<br> |
| M x 2<br>  | N x 1<br>  | O x 5<br>  | P x 4<br>  |

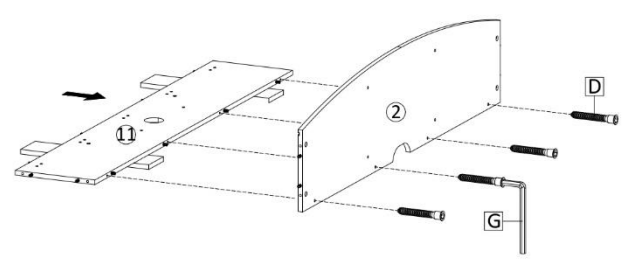
|                                                                                                            |                                                                                                          |                                                                                                                                                                             |
|------------------------------------------------------------------------------------------------------------|----------------------------------------------------------------------------------------------------------|-----------------------------------------------------------------------------------------------------------------------------------------------------------------------------|
|  SET-UP TIME : 60 MINUTES |  NUMBER OF PERSONS : 02 |  TOOLS :  |
|------------------------------------------------------------------------------------------------------------|----------------------------------------------------------------------------------------------------------|-----------------------------------------------------------------------------------------------------------------------------------------------------------------------------|



**3**



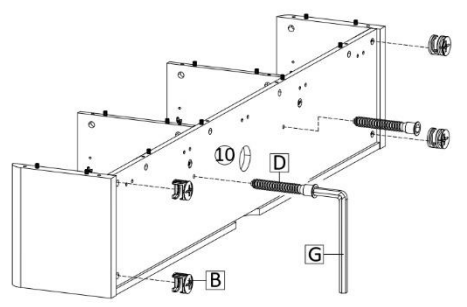
|                                                                                   |     |                                                                                   |     |                                                                                   |     |
|-----------------------------------------------------------------------------------|-----|-----------------------------------------------------------------------------------|-----|-----------------------------------------------------------------------------------|-----|
| A                                                                                 | x 8 | C                                                                                 | x 4 | E                                                                                 | x 4 |
|  |     |  |     |  |     |




**4**



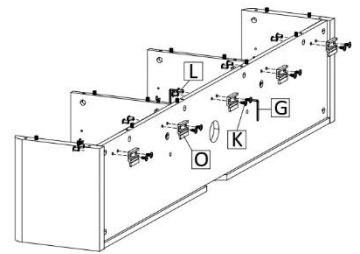
|                                                                                     |     |                                                                                     |     |
|-------------------------------------------------------------------------------------|-----|-------------------------------------------------------------------------------------|-----|
| D                                                                                   | x 4 | G                                                                                   | x 1 |
|  |     |  |     |





7



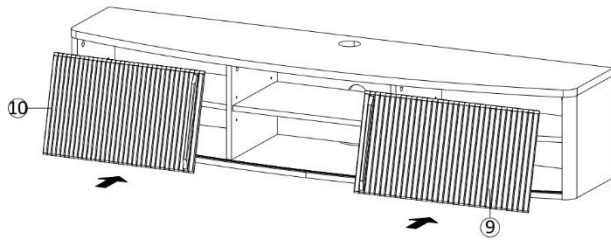
|                                                                                   |     |                                                                                   |     |                                                                                   |     |
|-----------------------------------------------------------------------------------|-----|-----------------------------------------------------------------------------------|-----|-----------------------------------------------------------------------------------|-----|
| B                                                                                 | x 4 | D                                                                                 | x 2 | G                                                                                 | x 1 |
|  |     |  |     |  |     |

8

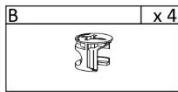
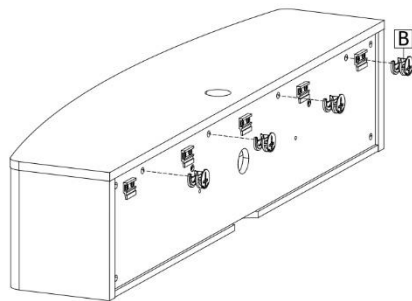


|                                                                                     |     |                                                                                     |      |                                                                                     |      |                                                                                     |     |
|-------------------------------------------------------------------------------------|-----|-------------------------------------------------------------------------------------|------|-------------------------------------------------------------------------------------|------|-------------------------------------------------------------------------------------|-----|
| G                                                                                   | x 2 | K                                                                                   | x 10 | L                                                                                   | x 10 | O                                                                                   | x 5 |
|  |     |  |      |  |      |  |     |

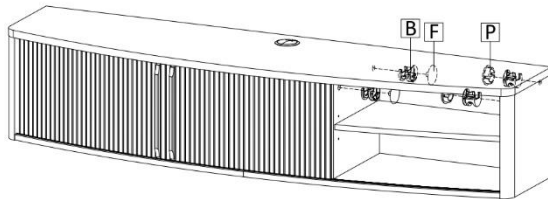
**11**






**12**



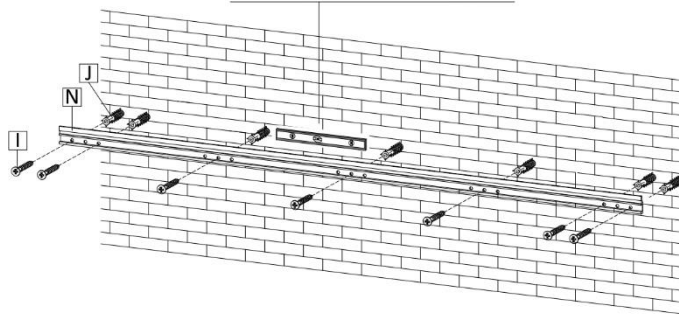
**15**






|                                                                                   |     |                                                                                   |     |                                                                                   |     |
|-----------------------------------------------------------------------------------|-----|-----------------------------------------------------------------------------------|-----|-----------------------------------------------------------------------------------|-----|
| B                                                                                 | x 4 | F                                                                                 | x 2 | P                                                                                 | x 2 |
|  |     |  |     |  |     |

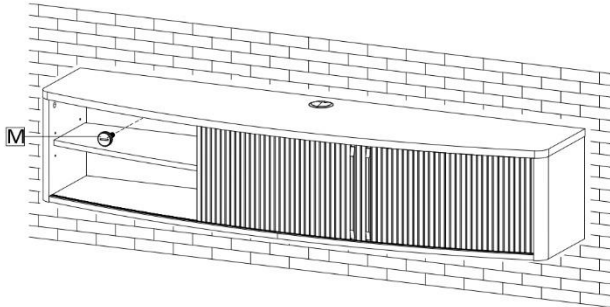
**16**

Use Waterpass to ensure the drill position

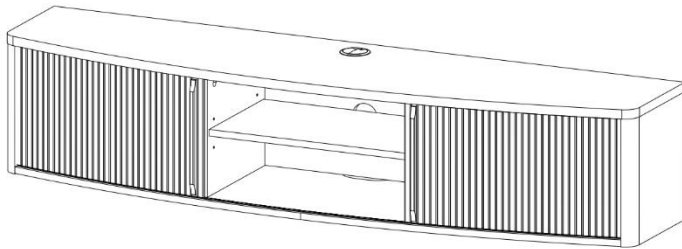


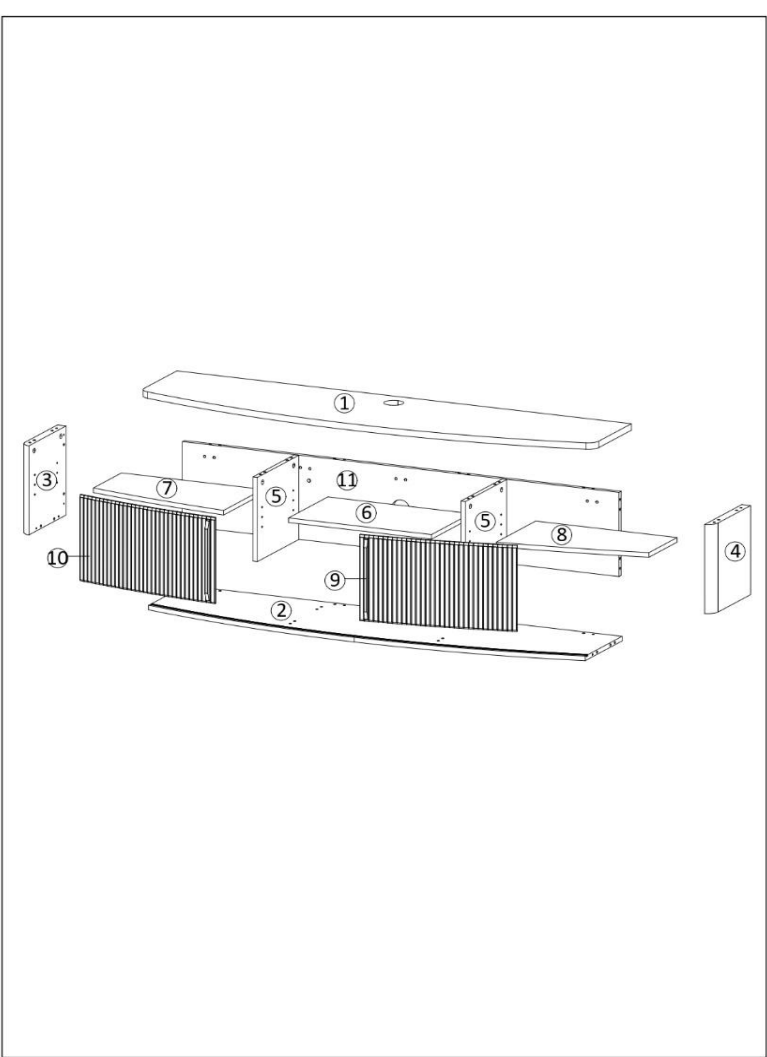
|                                                                                     |     |                                                                                     |     |                                                                                     |     |
|-------------------------------------------------------------------------------------|-----|-------------------------------------------------------------------------------------|-----|-------------------------------------------------------------------------------------|-----|
| I                                                                                   | x 7 | J                                                                                   | x 7 | N                                                                                   | x 1 |
|  |     |  |     |  |     |

**19**



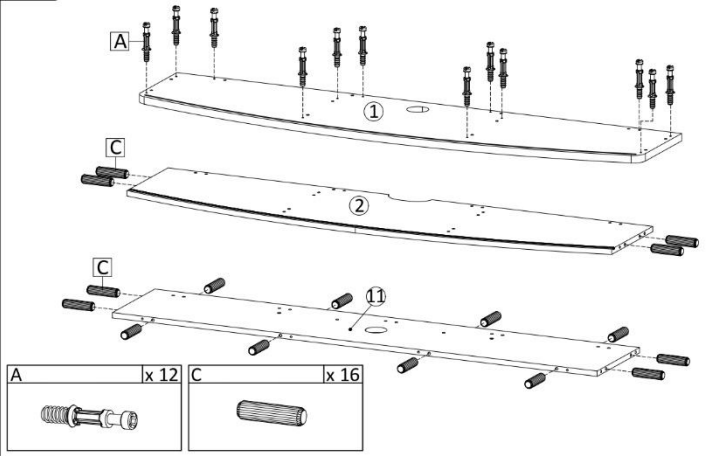
**20**



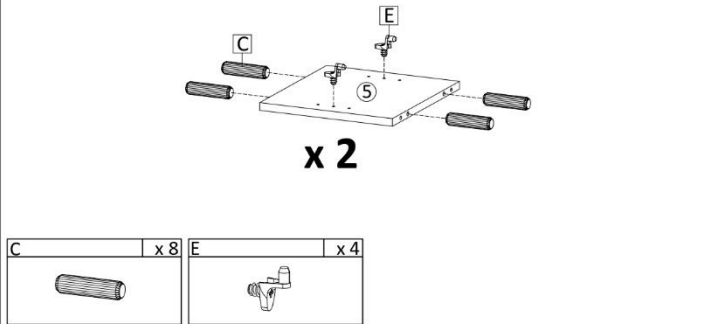




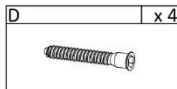
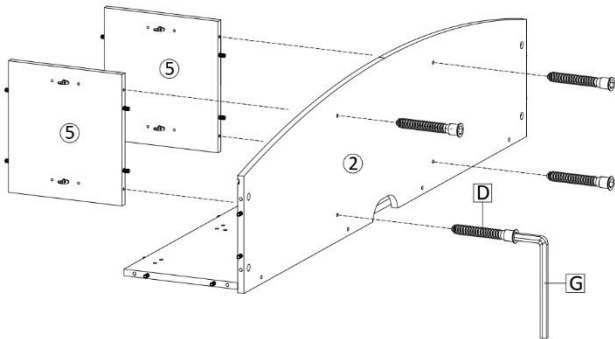
**1**



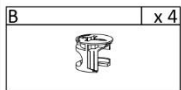
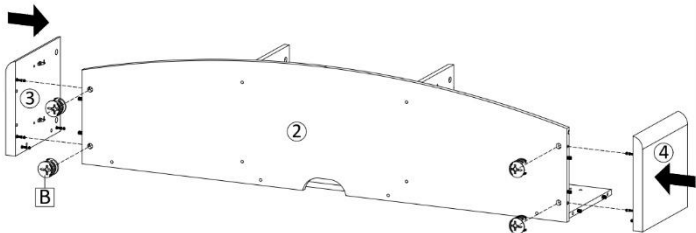
**2**



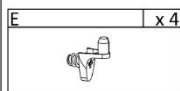
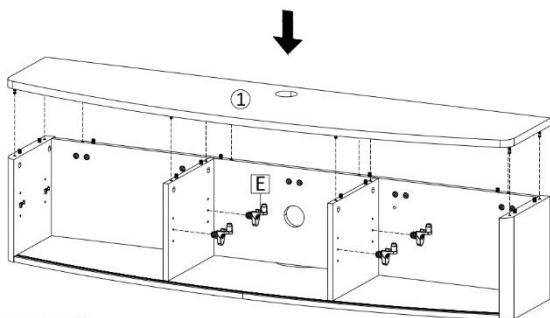
5



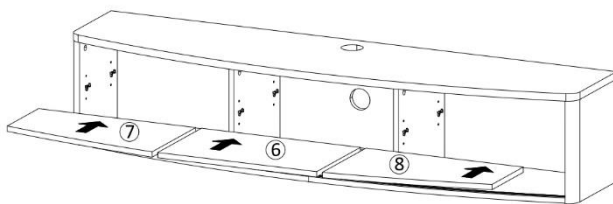
6



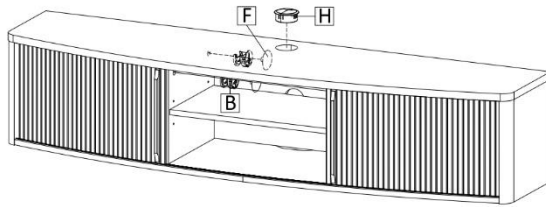
9






10

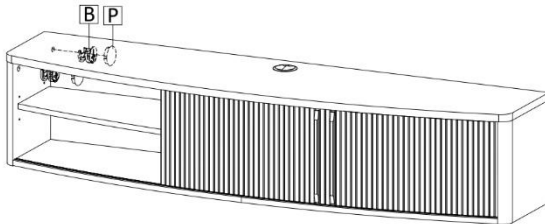




13



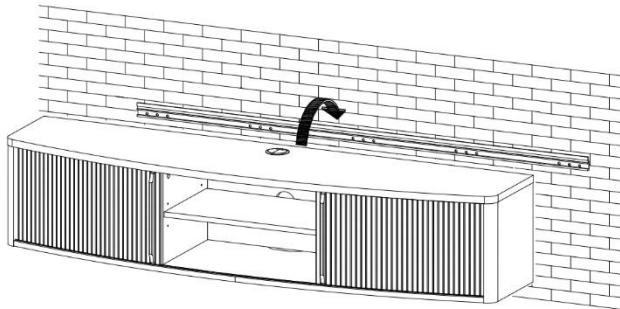
|                                                                                   |     |                                                                                   |     |                                                                                   |     |
|-----------------------------------------------------------------------------------|-----|-----------------------------------------------------------------------------------|-----|-----------------------------------------------------------------------------------|-----|
| B                                                                                 | x 2 | F                                                                                 | x 2 | H                                                                                 | x 1 |
|  |     |  |     |  |     |

14



|                                                                                     |     |                                                                                     |     |
|-------------------------------------------------------------------------------------|-----|-------------------------------------------------------------------------------------|-----|
| B                                                                                   | x 2 | P                                                                                   | x 2 |
|  |     |  |     |

17



18

