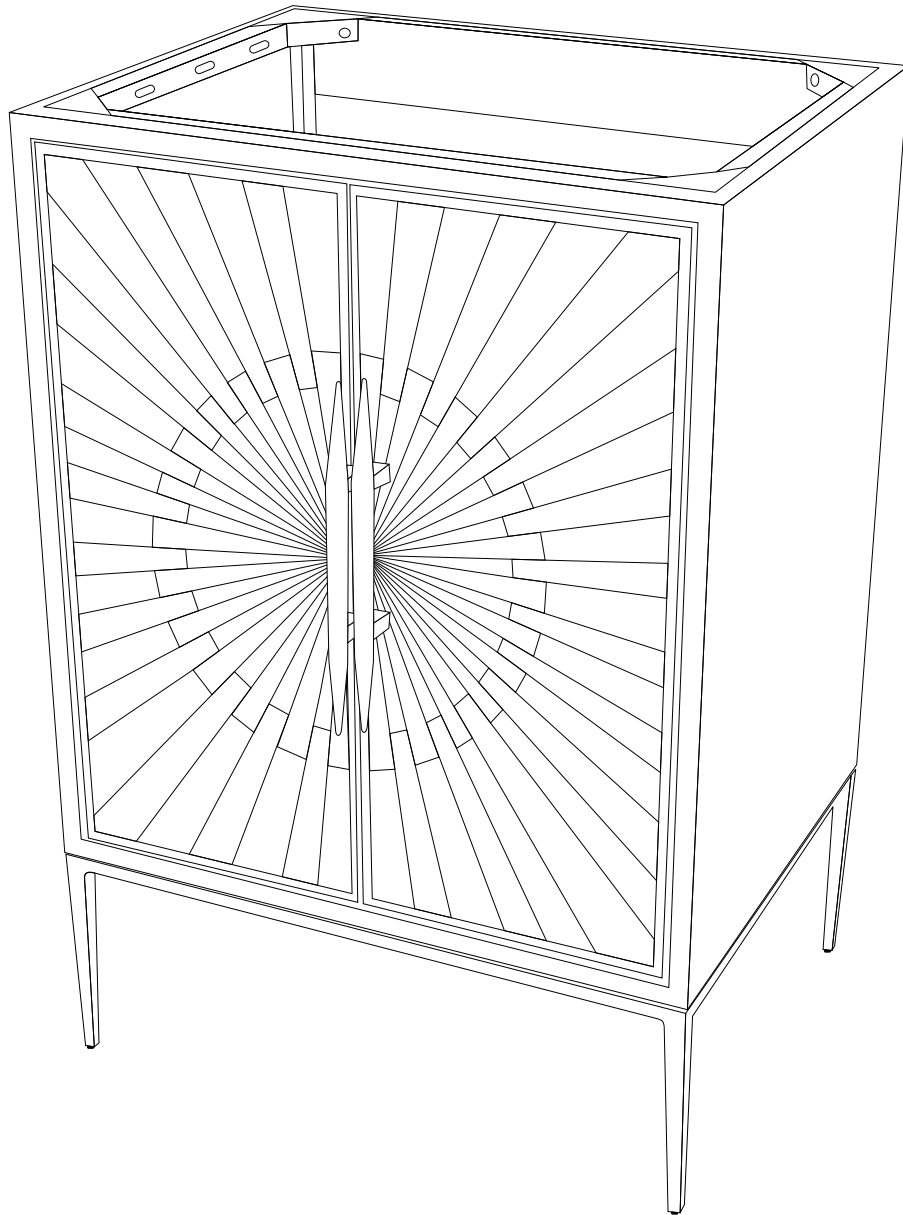


# ASSEMBLY INSTRUCTIONS

# EEI-6160

V1.07.12.22



**Questions? Contact us!**

609.256.9000 • [cs@modway.com](mailto:cs@modway.com)  
[www.modway.com](http://www.modway.com)

**\*modway**

# Let's get started!

\*modway



Read through all of the instructions before starting



Care instructions are listed in the last step of this manual



Approx. 30 minutes assembly time



Make sure you have all parts and components before discarding any packing materials



2 people recommended for assembly

**Only use hand tools to assemble this item.** Do not use power tools. Do not tighten bolts or screws completely until all hardware is lined up and inserted into the holes.

Do not over-tighten screws and bolts to avoid stripping the hardware or cracking the item.

For vanity and plumbing installation, we suggest hiring a professional contractor and plumber.







Assemble your item on a flat, carpeted area, with plenty of space to work. This will prevent damage and scratches to your floors or the item while you're assembling the product.

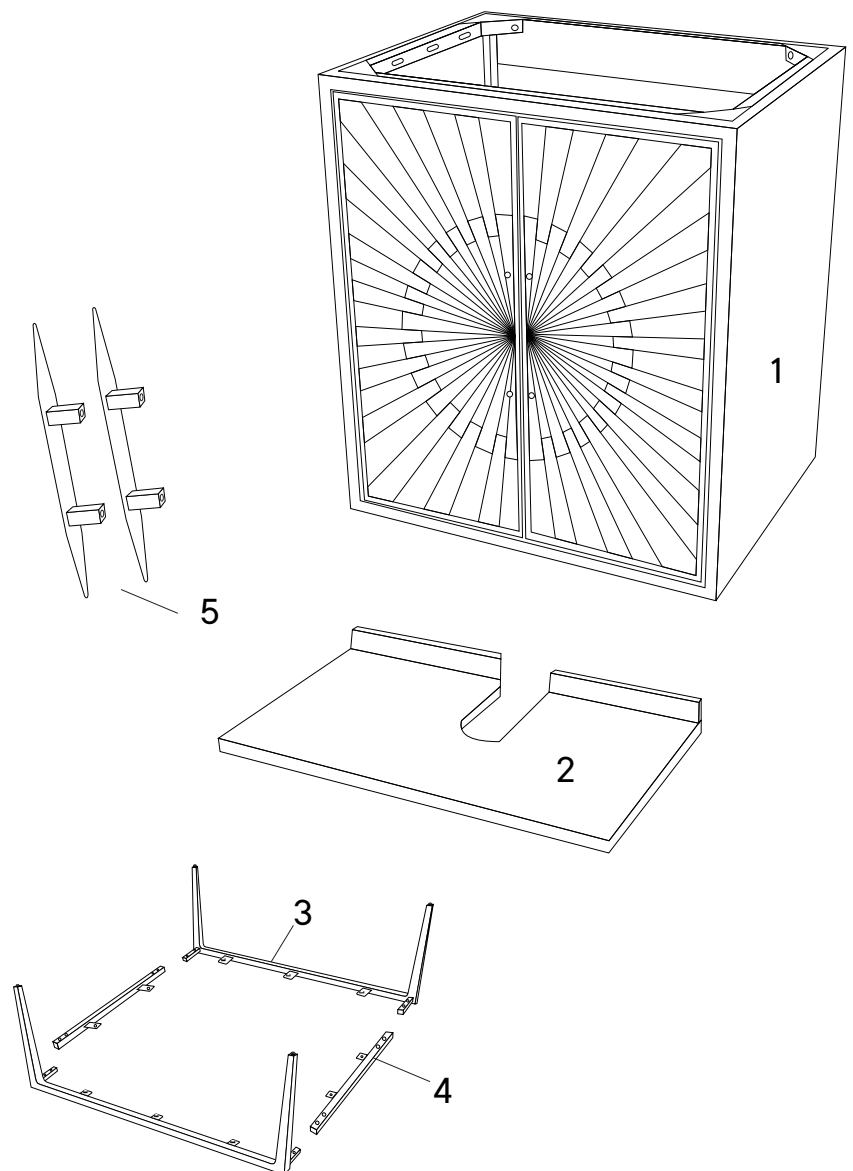
Keep all components and packaging out of reach of children or animals to avoid risk of choking or suffocation.

## Furniture components:

1	Cabinet	x1
2	Wooden Shelf	x1
3	Metal Legs	x2
4	Metal Pipe	x2
5	Metal Handle	x2

## Provided hardware:

A		Allen Key	4 mm	x1
B		Bolt	M6x15 mm	x10
C		Bolt	M6x10 mm	x8
D		Washer	Ø16x2 mm	x14
E		Shelf Pin	5 mm	x4
F		Bolt	M6x40 mm	x4



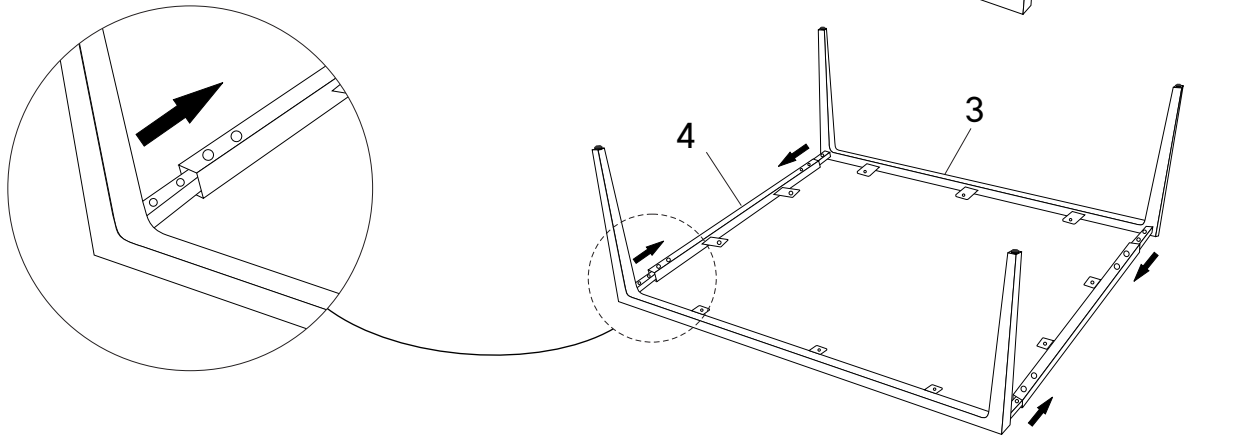
**Wait!**

Missing parts or hardware? Need assistance?  
Contact us before returning your item. We're here to help!  
609.256.9000 • cs@modway.com

# Step 1

## COMPONENTS

- 3** Metal Legs x2
- 4** Metal Pipe x2



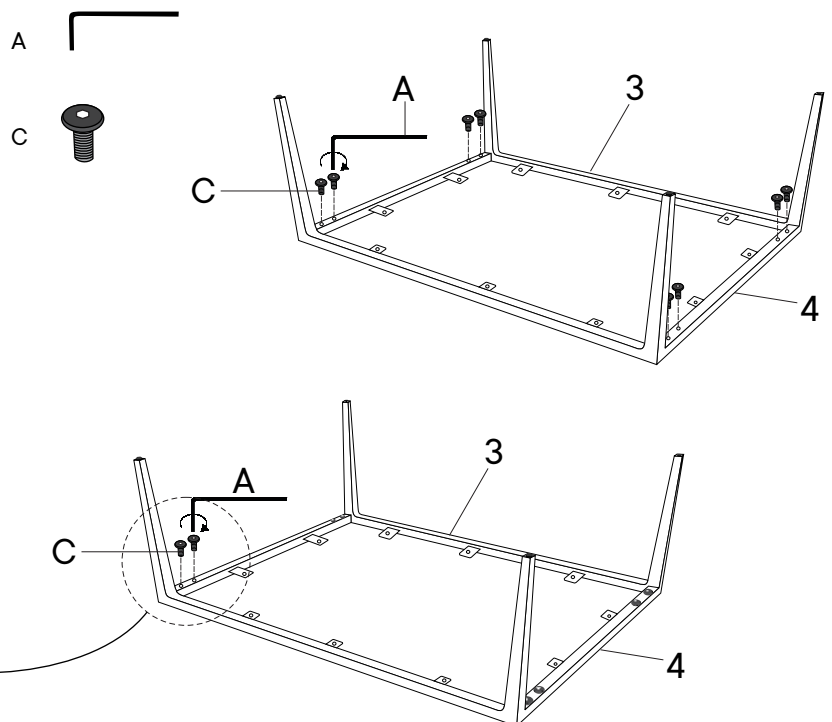
# Step 2

## HARDWARE

- A** Allen Key 4 mm x1
- C** Bolt M6x10 mm x8

## COMPONENTS

- 3** Metal Legs x2
- 4** Metal Pipe x2



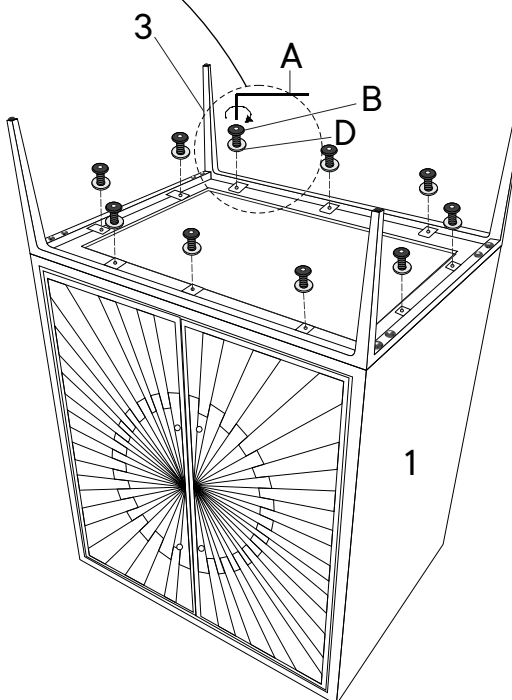
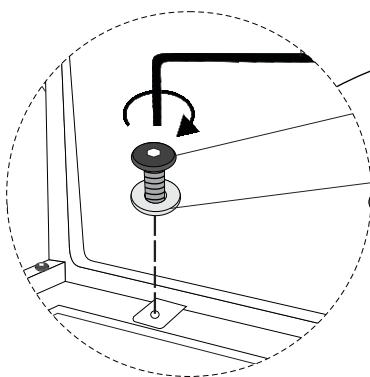
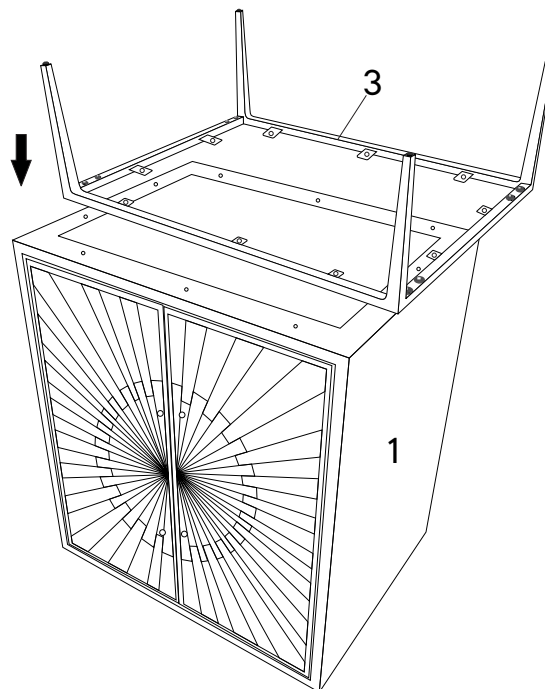
# Step 3

## HARDWARE

<b>A</b>	Allen Key	4 mm	x1
<b>B</b>	Bolt	M6x15 mm	x10
<b>D</b>	Washer	Ø16x2 mm	x10

## COMPONENTS

<b>1</b>	Cabinet	x1
<b>3</b>	Metal Legs (Assembly)	x1



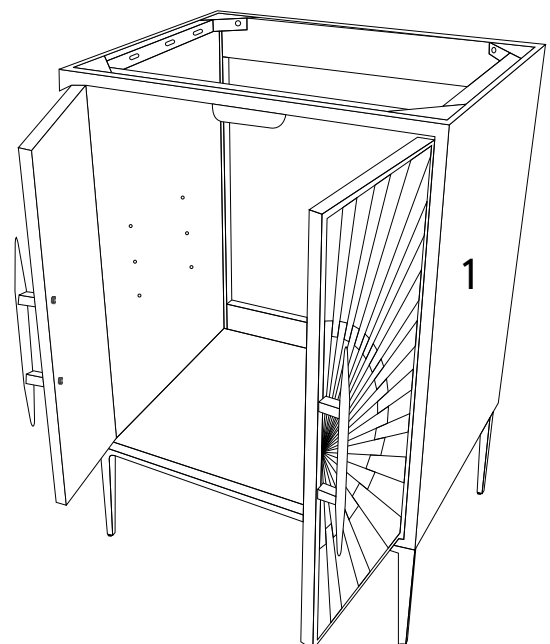
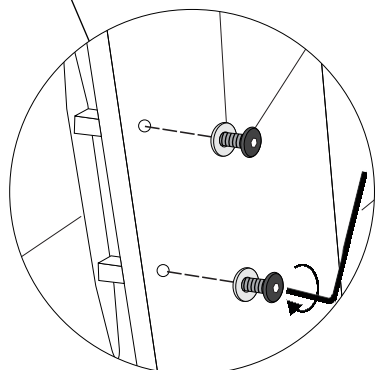
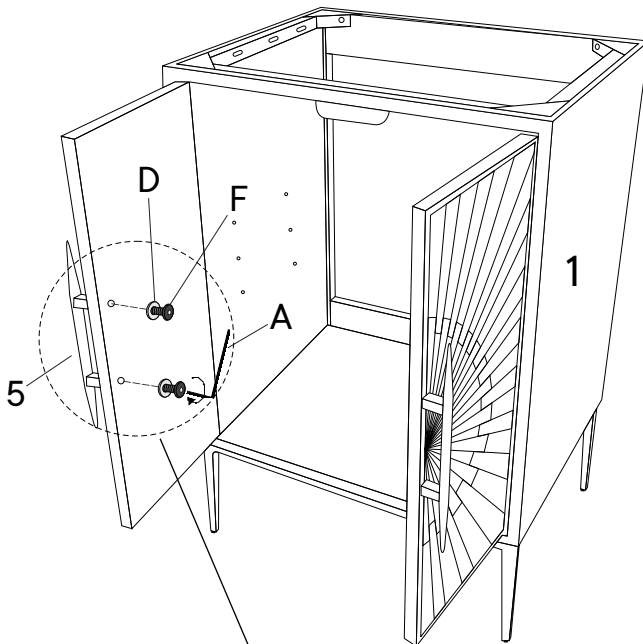
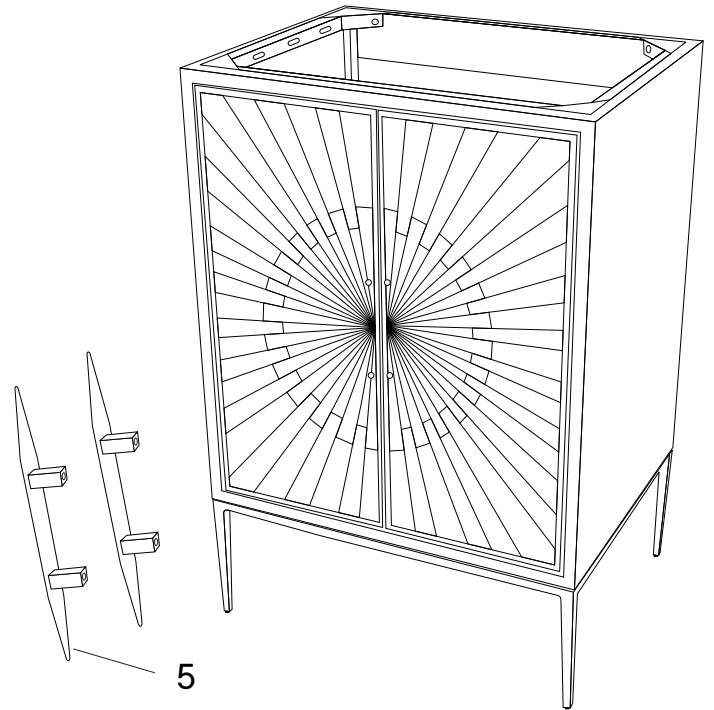
# Step 4

## HARDWARE

<b>A</b>	Allen Key	4 mm	x1
<b>F</b>	Bolt	M6x40 mm	x4
<b>D</b>	Washer	Ø16x2 mm	x4

## COMPONENTS

<b>1</b>	Cabinet	x1
<b>5</b>	Metal Handle	x2



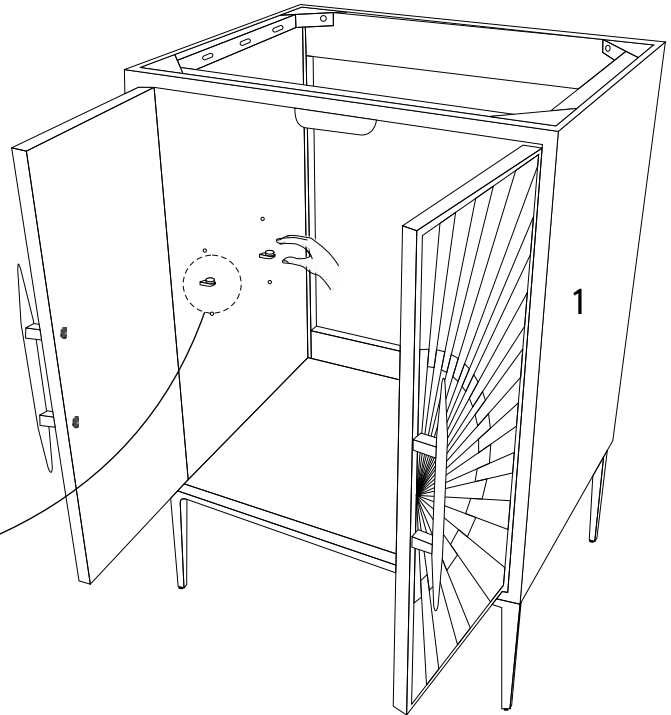
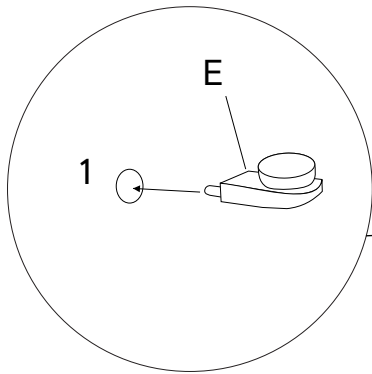
# Step 5

## HARDWARE

**E** Shelf Pin 5 mm x4

## COMPONENTS

**1** Cabinet x1

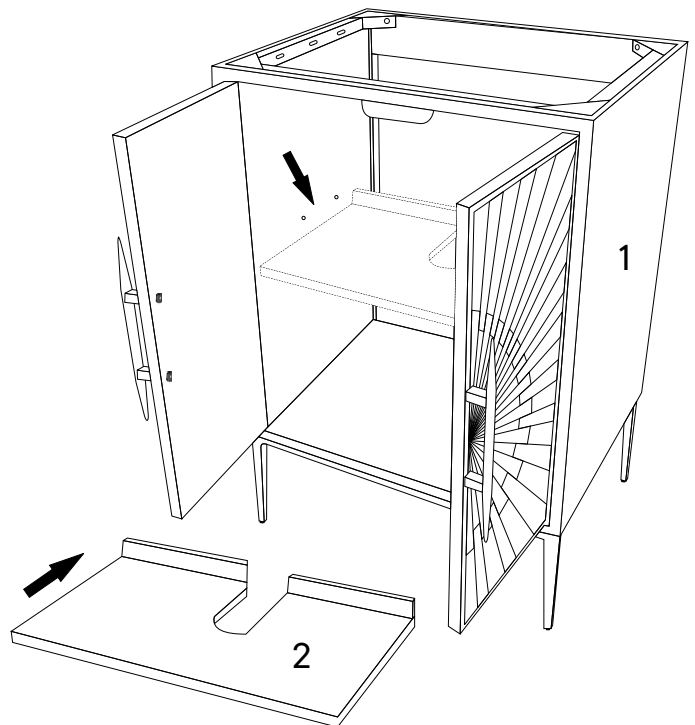
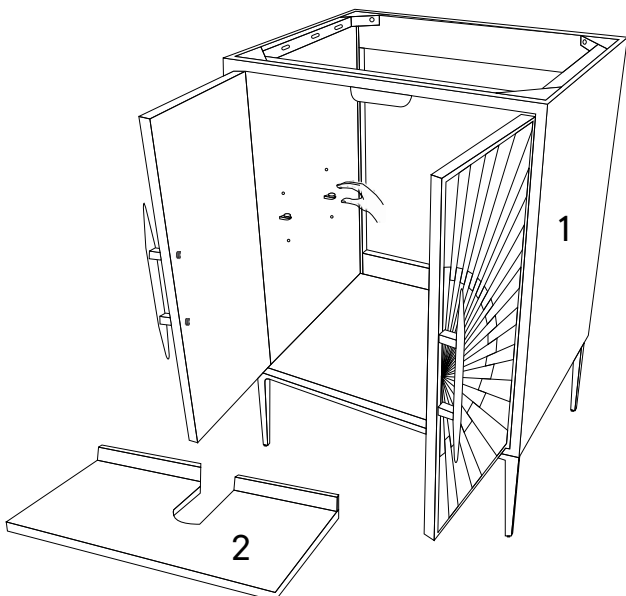


# Step 6

## COMPONENTS

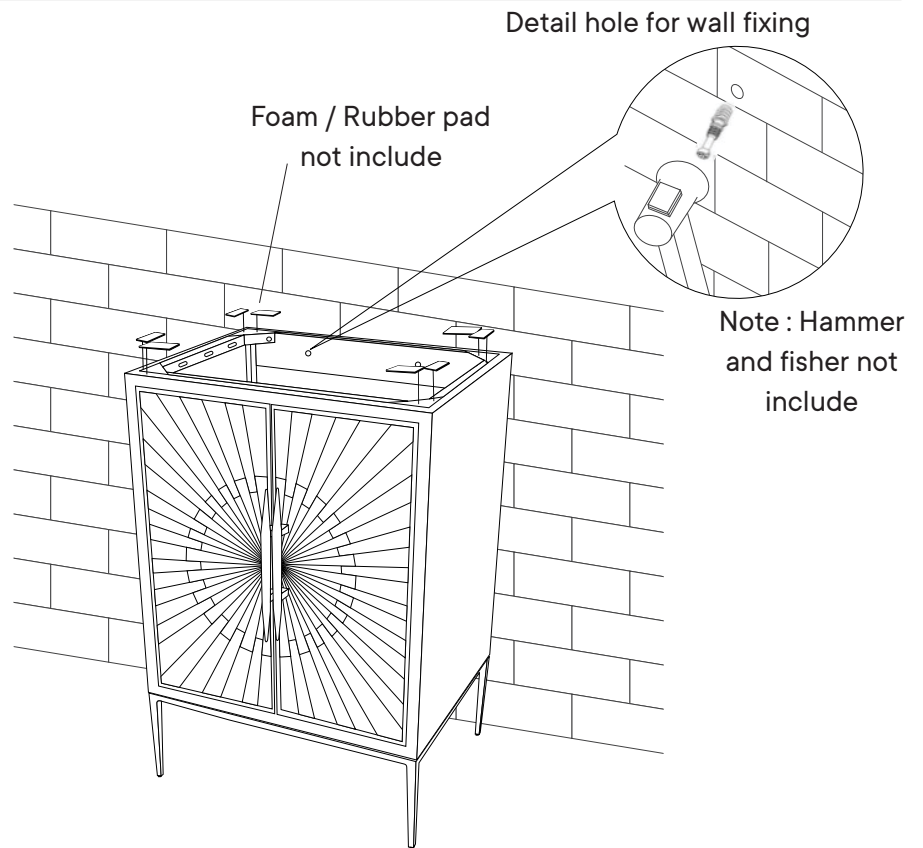
**1** Cabinet x1

**2** Wooden Shelf x1

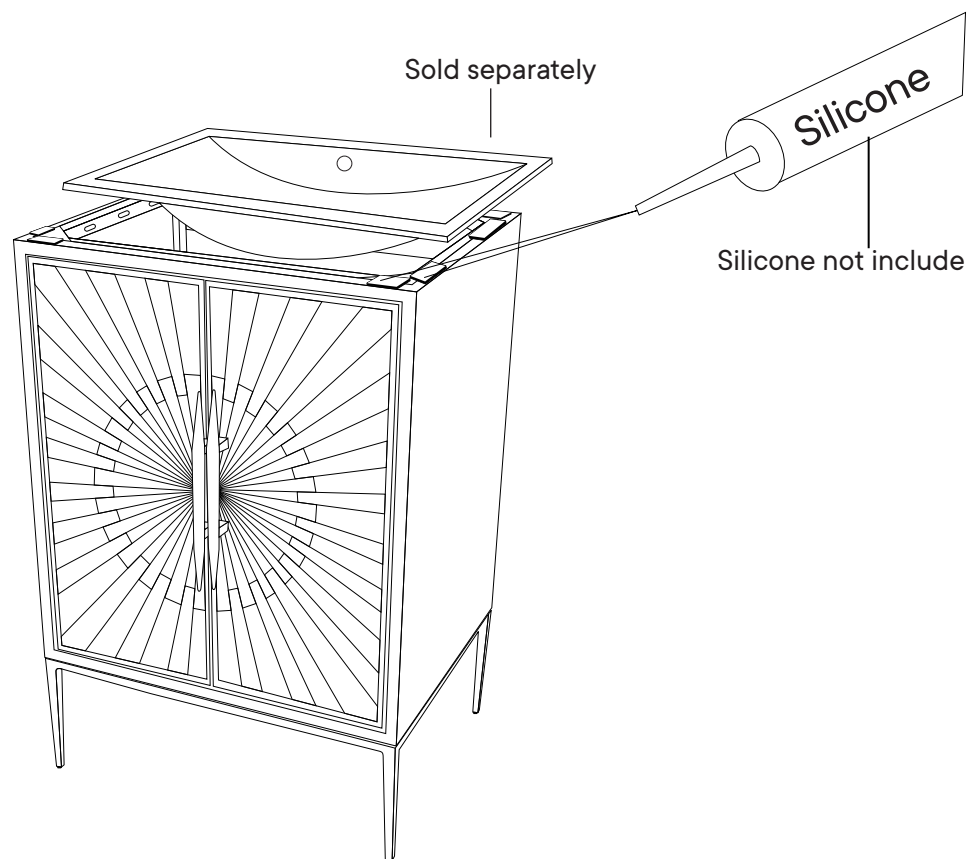


## Step 7

Attachment of Furniture : This furniture may represent a danger for your security if it's attachment on the wall has been done in an incorrect way. This attachment must be done by a person with great expertise who will make sure adequacy between the device of fixing and the wall. Please source the right fitting according to the wall type. For your safety, it is imperative to fix your furniture to the wall



## Step 8

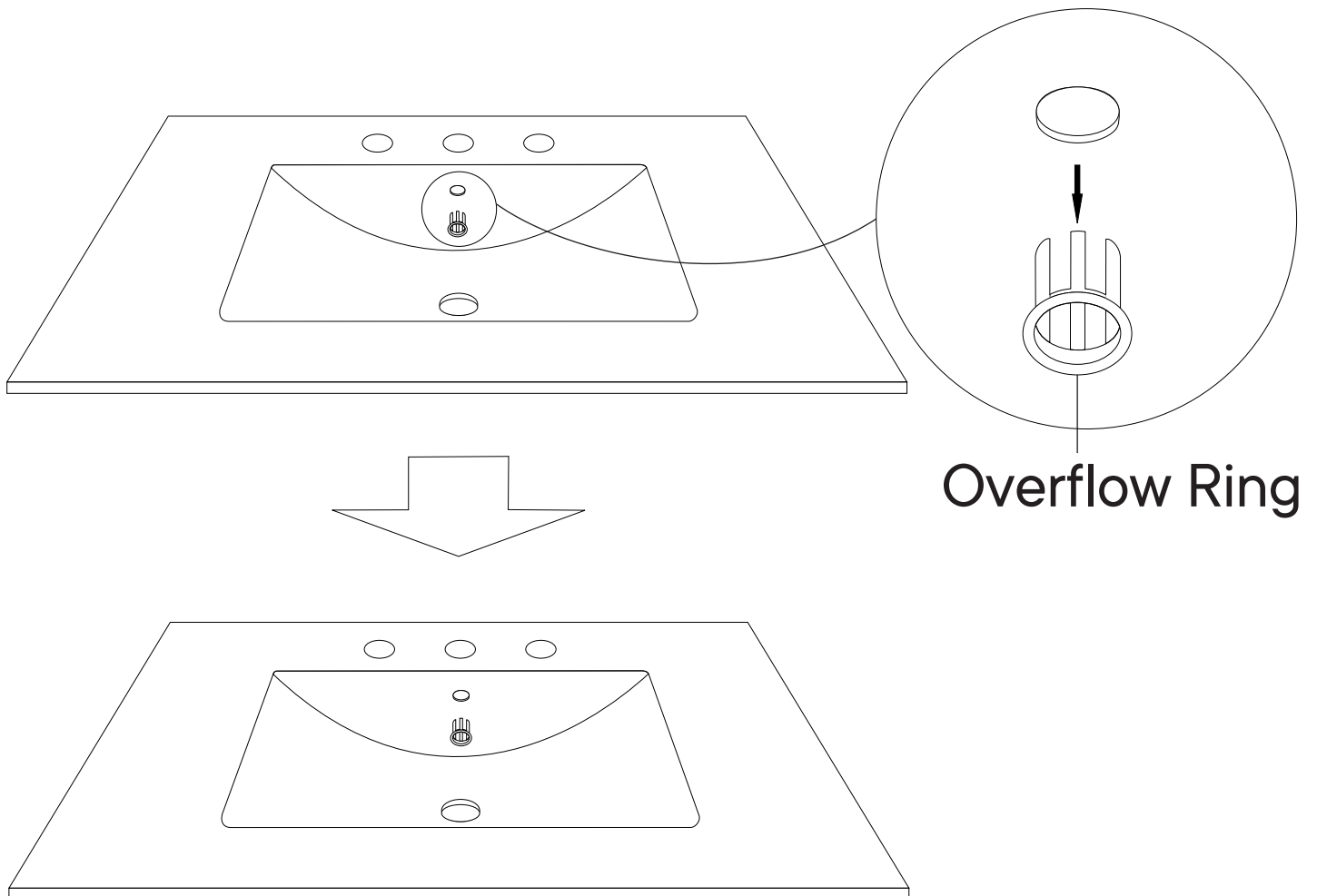


Apply a thin bead of silicone compound around the vanity base and set the vanity top carefully in place. Remove any excess silicone compound with a wet rag.

# A quick note...

\*modway

Your sink basin comes complete with a silver overflow ring.  
If you'd like to remove this overflow ring, you can do so by hand.



**Wait!**

**Missing parts or hardware? Need assistance?**

Contact us before returning your item. We're here to help!  
609.256.9000 • [cs@modway.com](mailto:cs@modway.com)



# Great job!

Vanity Cabinet assembly is complete



## CARING FOR YOUR ITEM

Indoor use only.

Not contract grade.

Clean using a non-abrasive cloth and a mild cleaner.

Never use harsh chemicals, as they could damage the finish or integrity of the item.

CONNECT WITH US!



Tag us [@modway\\_furniture](#) and [#modway](#) for a chance to be featured.

