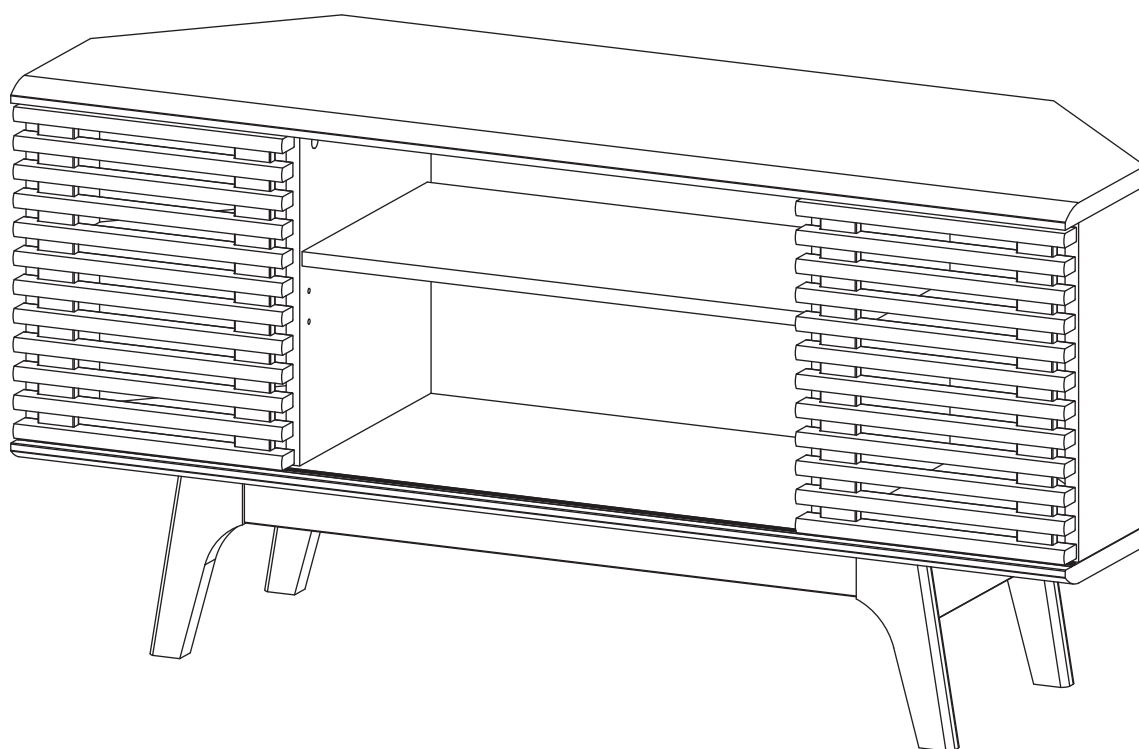


# ASSEMBLY INSTRUCTIONS

# EEI-6157

V0.07.15.22



**Questions? Contact us!**

609.256.9000 • [cs@modway.com](mailto:cs@modway.com)  
[www.modway.com](http://www.modway.com)

\*modway



Read through all of the instructions before starting



Care instructions are listed in the last step of this manual



Approx. 60 minutes assembly time



Make sure you have all parts and components before discarding any packing materials



2 people recommended for assembly

**Only use hand tools to assemble this item.** Do not use power tools. Do not tighten bolts or screws completely until all hardware is lined up and inserted into the holes.

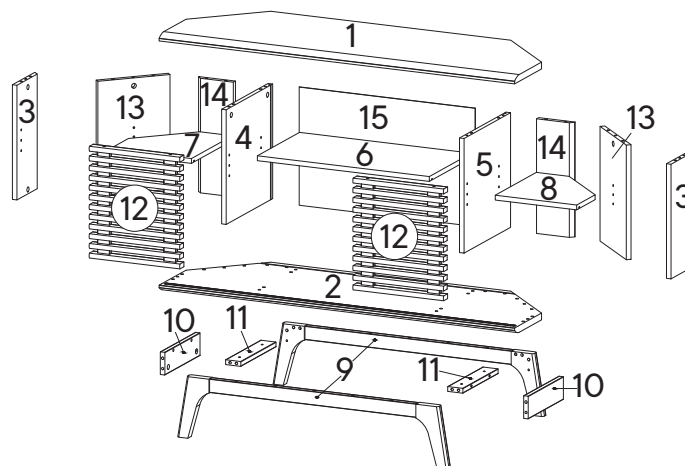
Do not over-tighten screws and bolts to avoid stripping the hardware or cracking the item.

Assemble your item on a flat, carpeted area, with plenty of space to work. This will prevent damage and scratches to your floors or the item while you're assembling the product.

Keep all components and packaging out of reach of children or animals to avoid risk of choking or suffocation.

## Furniture components:

1	Top Board	x1	11	Support Board 2	x2
2	Bottom Board	x1	12	Frame Door	x2
3	Side Board	x2	13	Back Board 1	x2
4	Center Board Left	x1	14	Back Board 2	x2
5	Center Board Right	x1	15	Back Board 3	x1
6	Adjustable 1	x1			
7	Adjustable 2	x1			
8	Adjustable 3	x1			
9	Assembly Leg	x2			
10	Support Board 1	x2			



## Provided hardware:

A		Cam Bolt Ø6 x 35 mm	x14	J		Stopper	x2
B		Cam Lock Ø15 mm	x14	K		Wedge	x6
C		Wood Dowel Ø8 x 30 mm	x52	L		Screw M 3.5 x 15.5 mm	x6
D		Screw M 7 x 50 mm	x6	M		Screw Cap Ø15 mm	x10
E		Allen Key	x2	N		Screw M 6.4 x 25 mm	x4
F		Shelf Pin	x12	O		Screw M 6.4 x 53 mm	x6
G		Silicon Bumper	x1	P		Floor Protector	x4
H		Pin Sliding Top	x4				
I		Pin Sliding Bottom	x4				

## What you need:

Phillips Head Screwdriver

**Wait!**

Missing parts or hardware? Need assistance?  
Contact us before returning your item. We're here to help!  
609.256.9000 • cs@modway.com

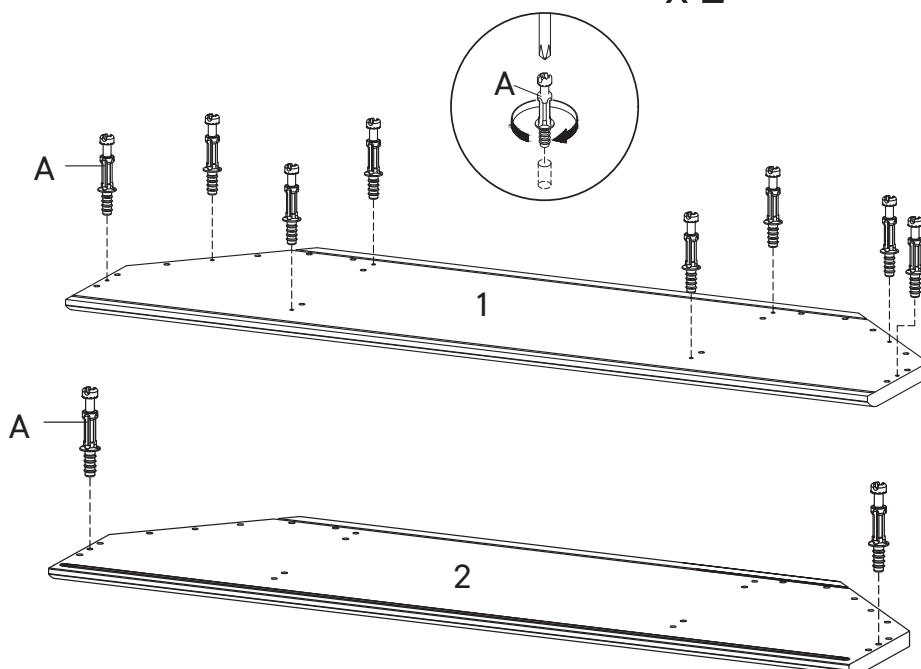
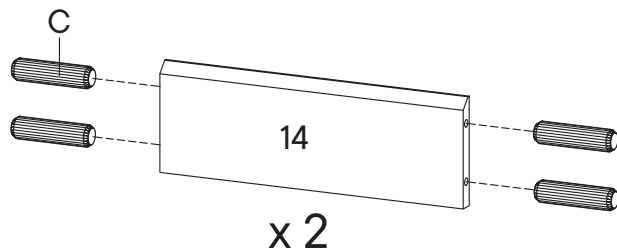
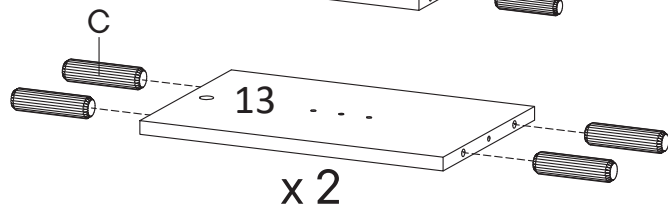
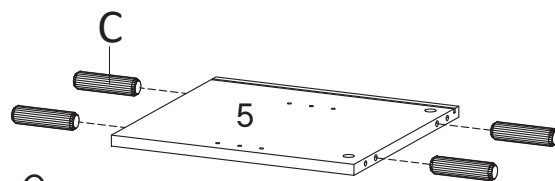
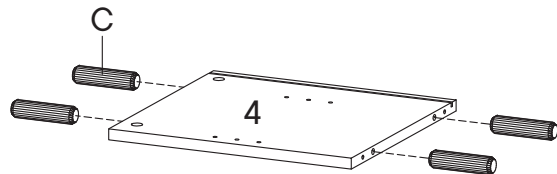
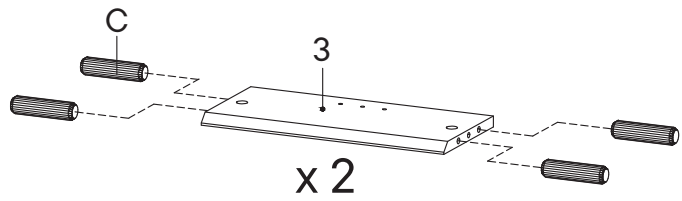
# Step 1

## HARDWARE

- A** Cam Bolt Ø6 x 35 mm x10
- C** Wood Dowel Ø8 x 30 mm x32

## COMPONENTS

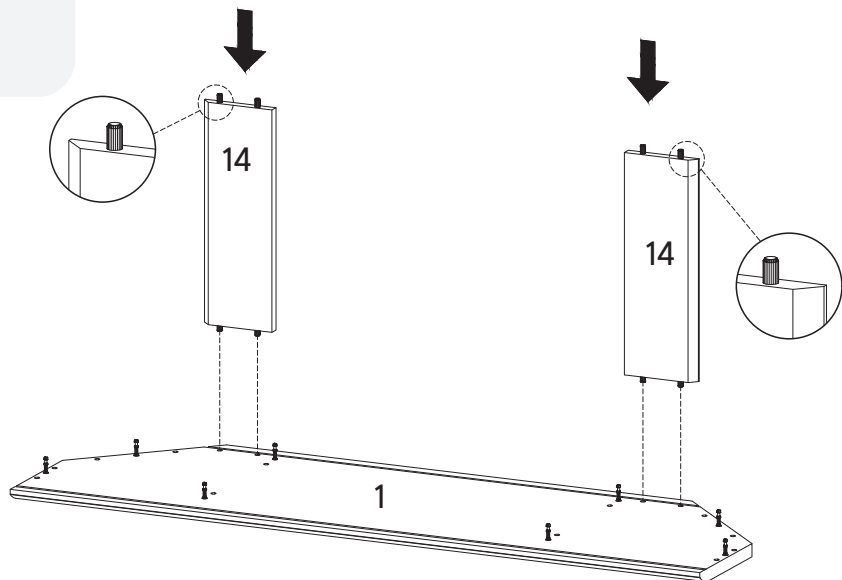
- 1** Top Board x1
- 2** Bottom Board x1
- 3** Side Board x2
- 4** Center Board Left x1
- 5** Center Board Right x1
- 13** Back Board 1 x2
- 14** Back Board 2 x2



## Step 2

### COMPONENTS

- 1 Top Board x1
- 14 Back Board 2 x2



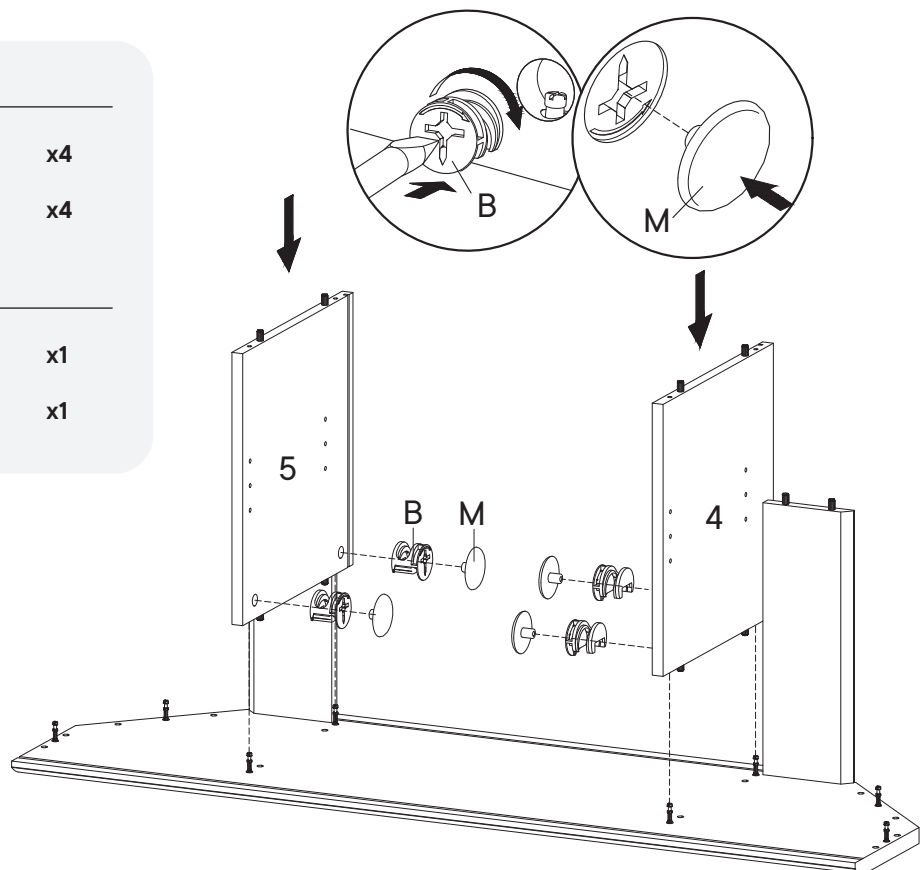
## Step 3

### HARDWARE

- B Cam Lock Ø15 mm x4
- M Screw Cap Ø15 mm x4

### COMPONENTS

- 4 Center Board Left x1
- 5 Center Board Right x1



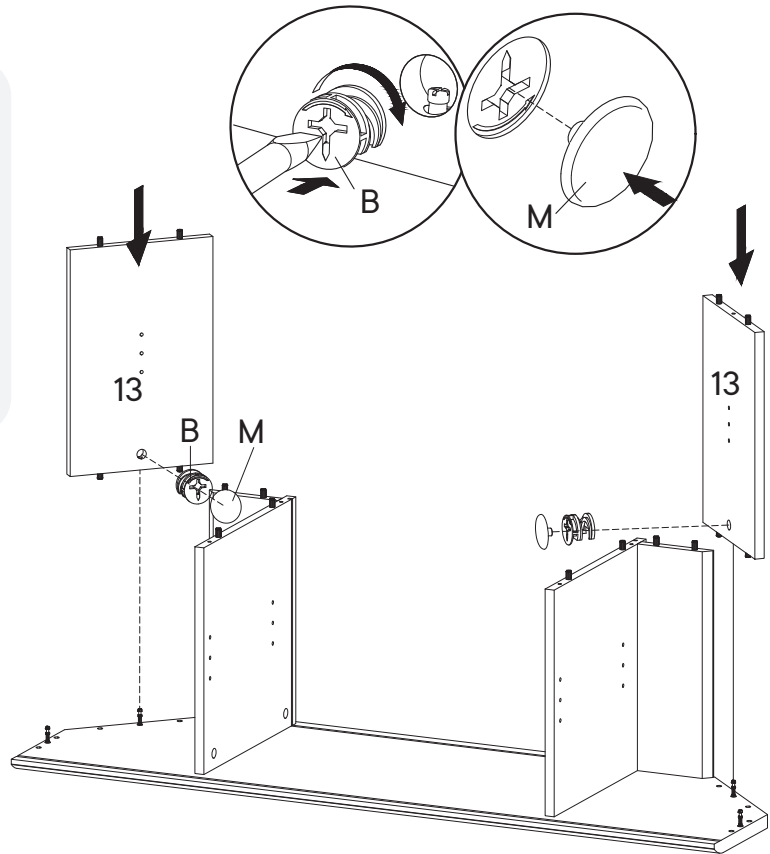
## Step 4

### HARDWARE

- B** Cam Lock Ø15 mm x2
- M** Screw Cap Ø15 mm x2

### COMPONENTS

- 13** Back Board 1 x2



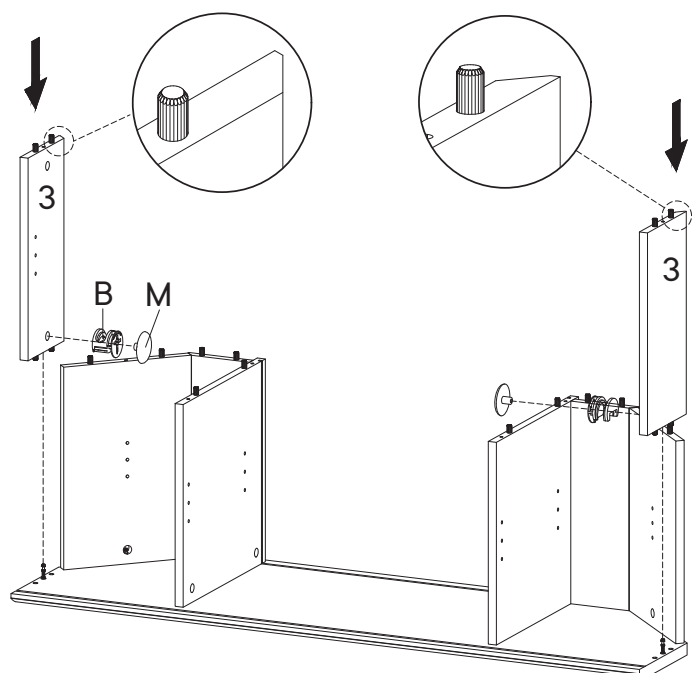
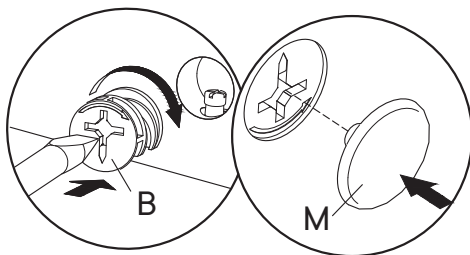
## Step 5

### HARDWARE

- B** Cam Lock Ø15 mm x2
- M** Screw Cap Ø15 mm x2

### COMPONENTS

- 3** Side Board x2



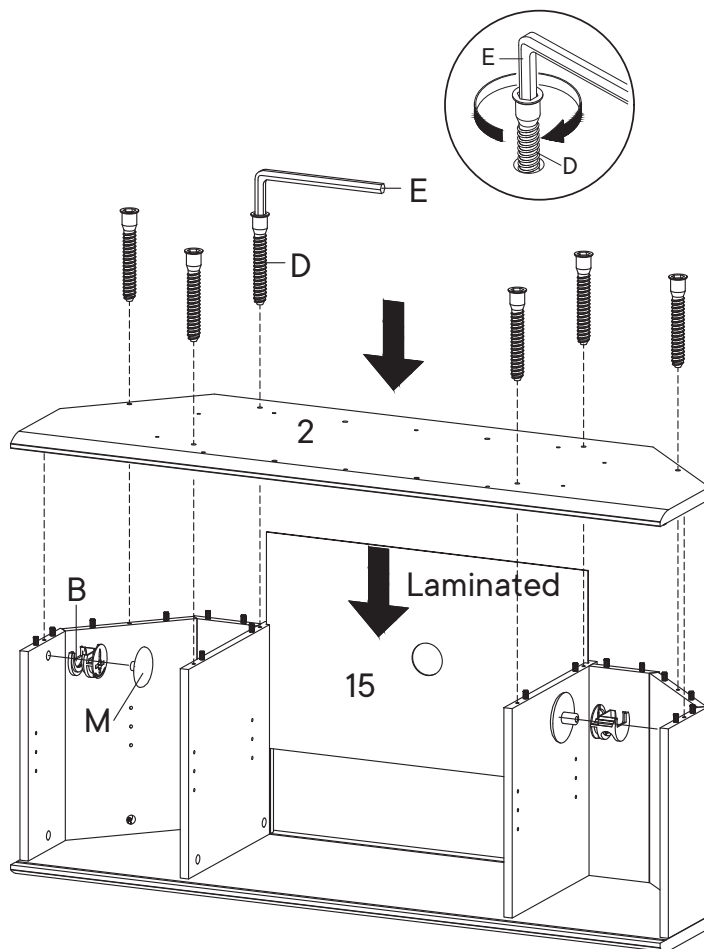
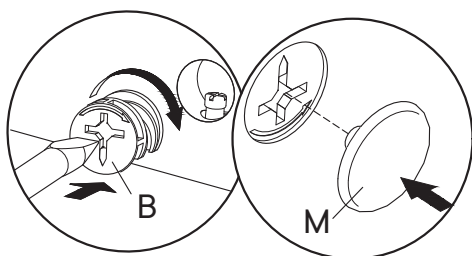
# Step 6

## HARDWARE

- B** Cam Lock Ø15 mm x2
- D** Screw M 7 x 50 mm x6
- E** Allen Key x1
- M** Screw Cap Ø15 mm x2

## COMPONENTS

- 2** Bottom Board x1
- 15** Back Board 3 x1



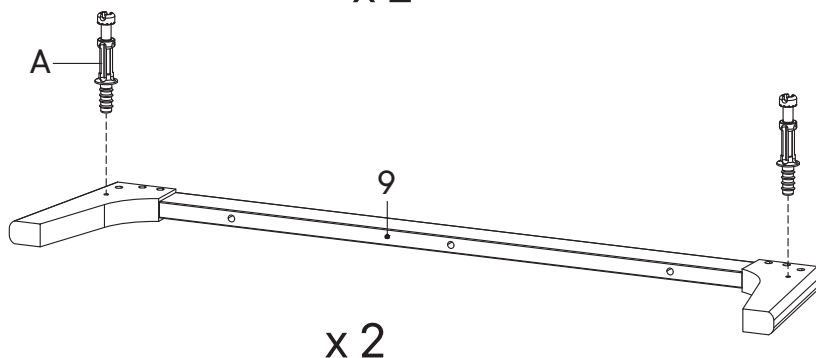
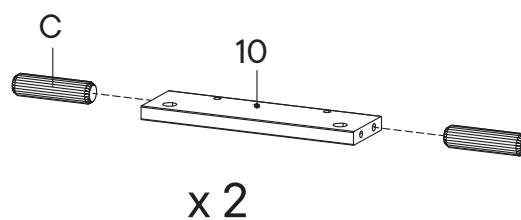
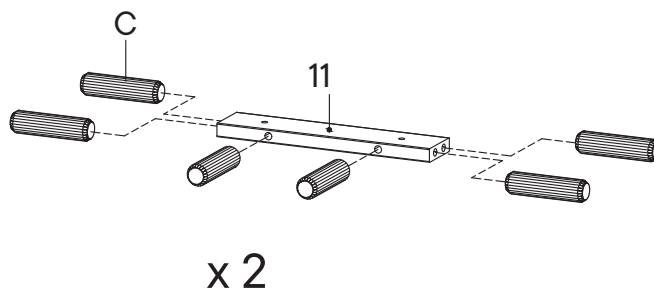
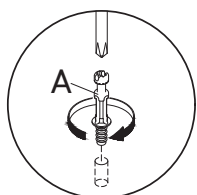
# Step 7

## HARDWARE

- A** Cam Bolt Ø6 x 35 mm x4
- C** Wood Dowel Ø8 x 30 mm x16

## COMPONENTS

- 9** Assembly Leg x2
- 10** Support Board 1 x2
- 11** Support Board 2 x2



# Step 8

## HARDWARE

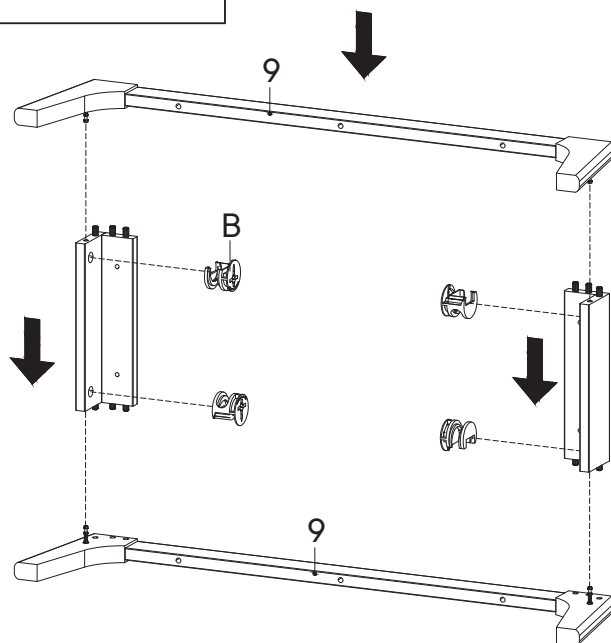
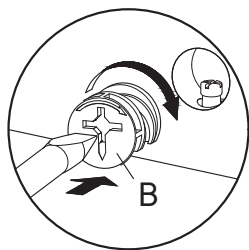
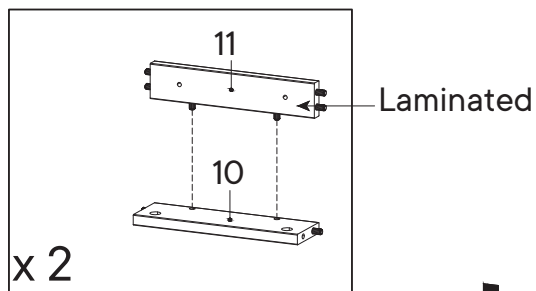
**B** Cam Lock Ø15 mm x4

## COMPONENTS

**9** Assembly Leg x2

**10** Support Board 1 x2

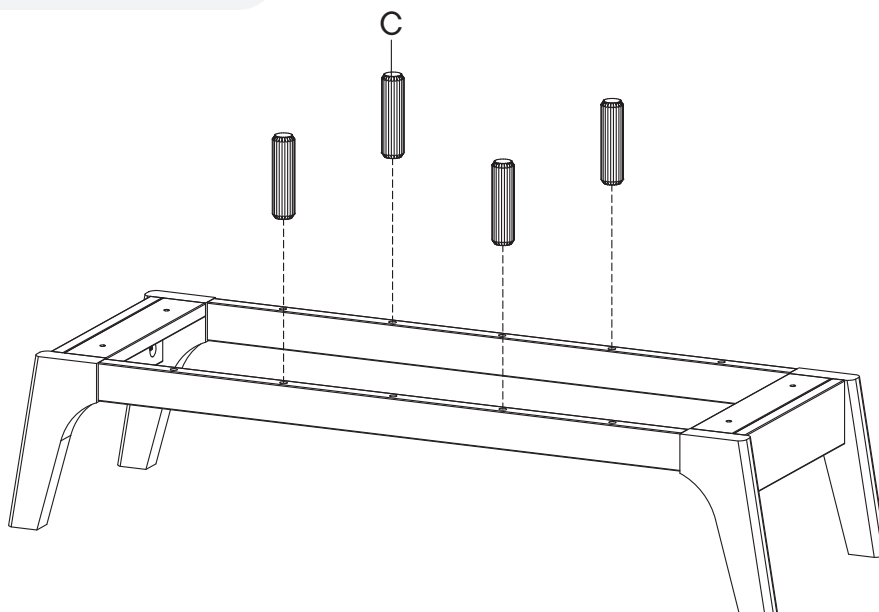
**11** Support Board 2 x2



# Step 9

## HARDWARE

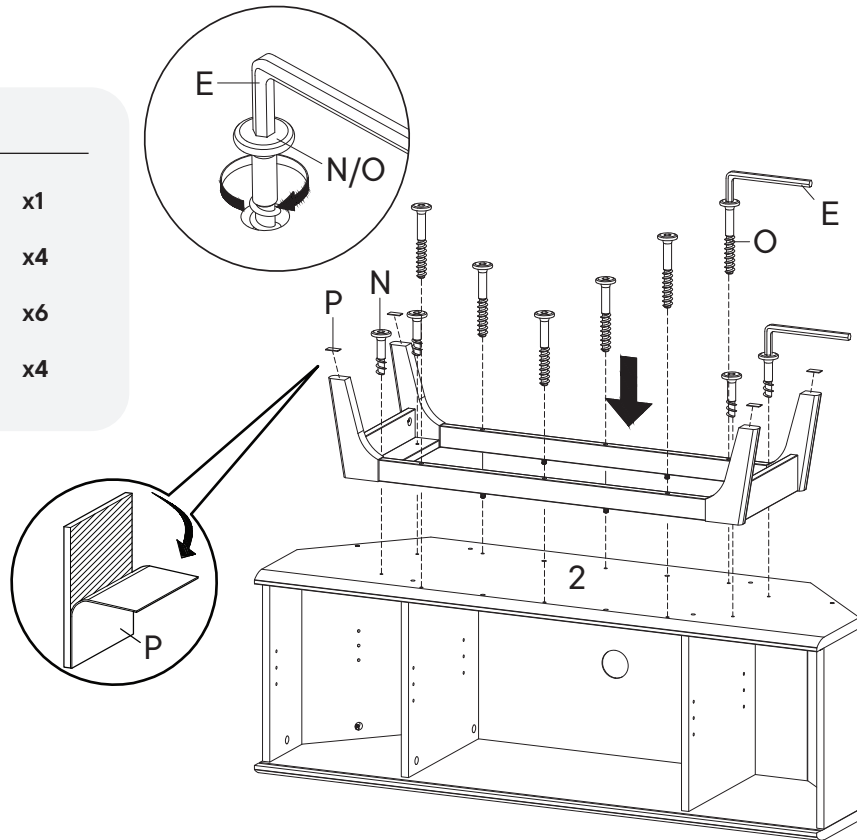
**C** Wood Dowel Ø8 x 30 mm x4



# Step 10

## HARDWARE

- E** Allen Key x1
- N** Screw M 6.4 x 25 mm x4
- O** Screw M 6.4 x 53 mm x6
- P** Floor Protector x4



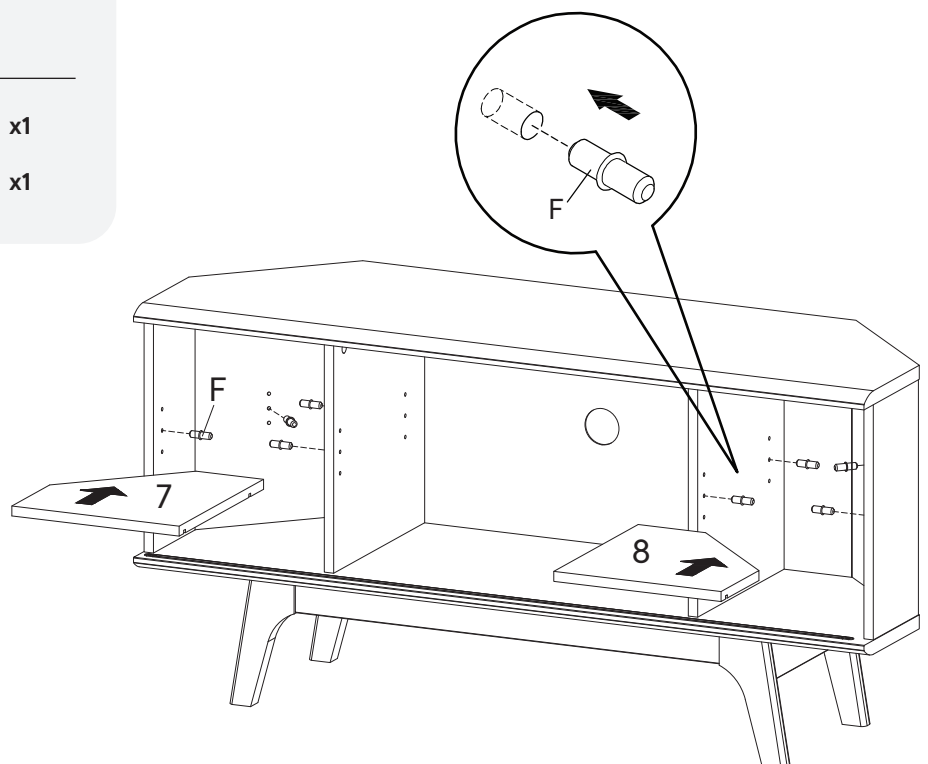
# Step 11

## HARDWARE

- F** Shelf Pin x8

## COMPONENTS

- 7** Adjustable 2 x1
- 8** Adjustable 3 x1





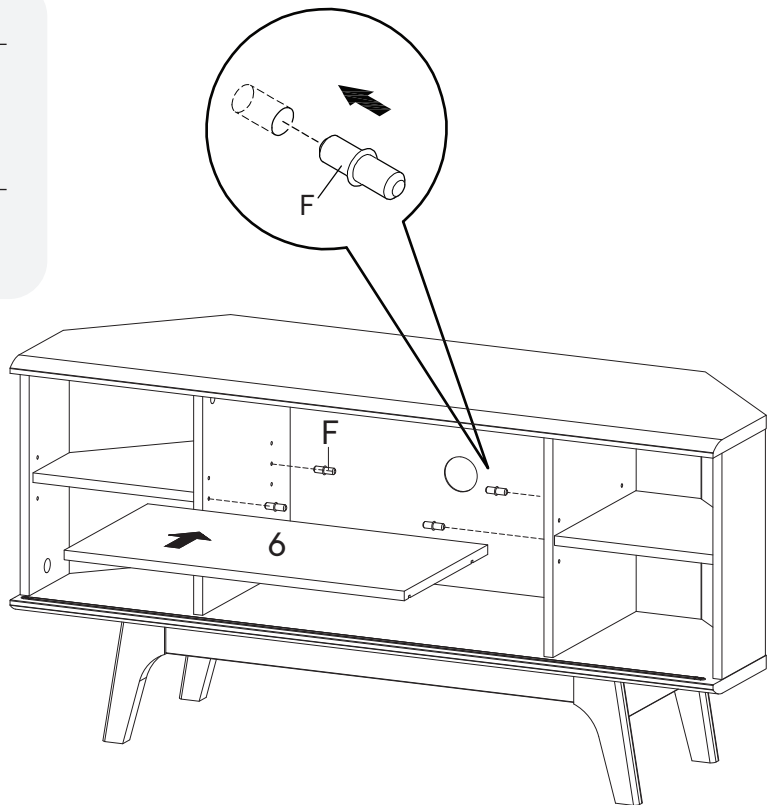
# Step 12

## HARDWARE

**F** Shelf Pin x4

## COMPONENTS

**6** Adjustable 1 x1



# Step 13

## HARDWARE

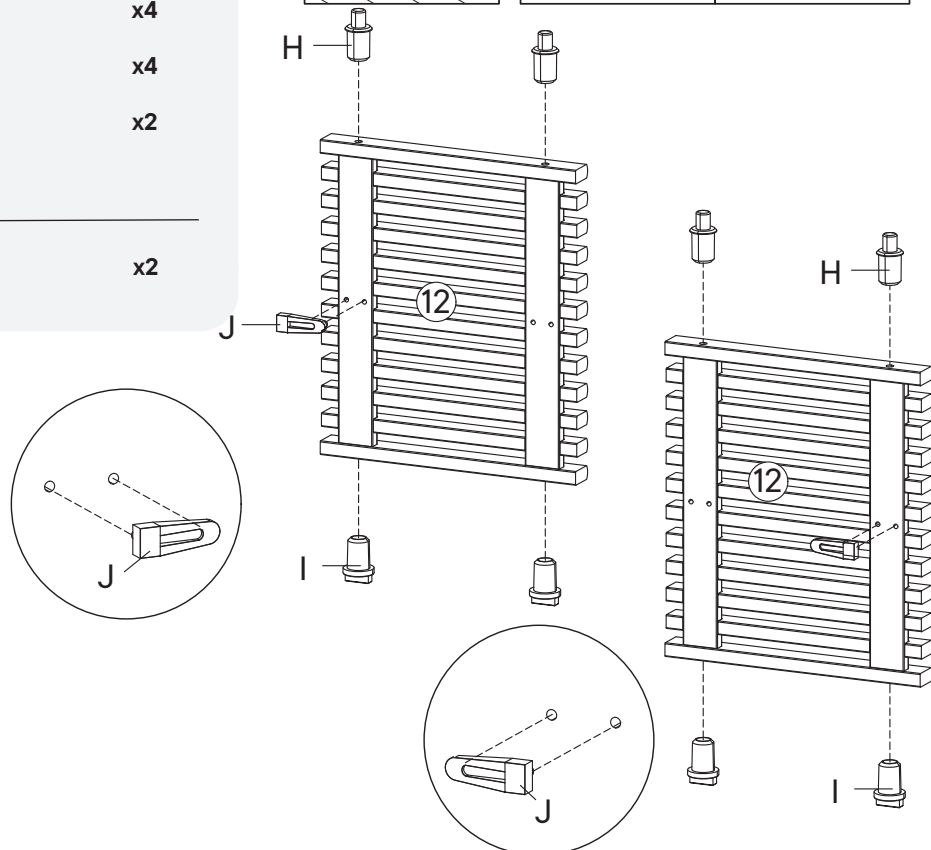
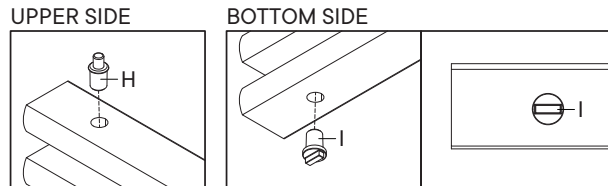
**H** Pin Sliding Top x4

**I** Pin Sliding Bottom x4

**J** Stopper x2

## COMPONENTS

**12** Frame Door x2



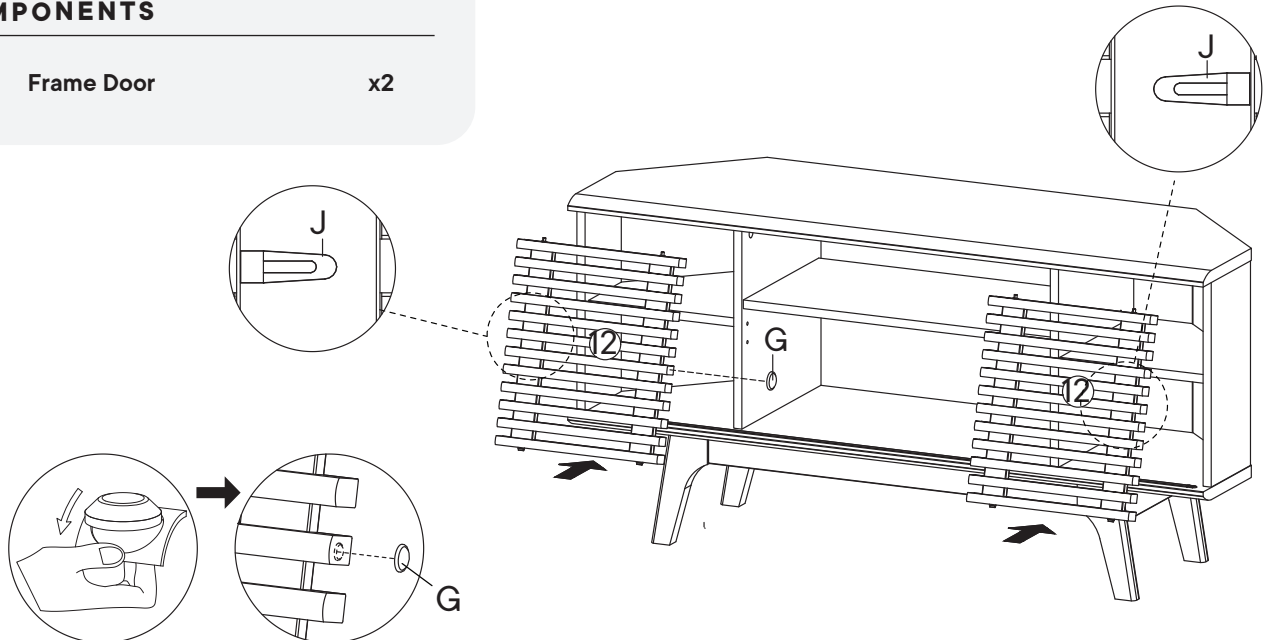
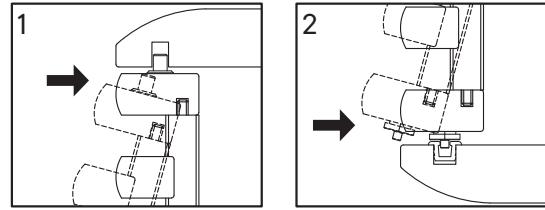
# Step 14

## HARDWARE

**G** Silicon Bumper x1

## COMPONENTS

**12** Frame Door x2

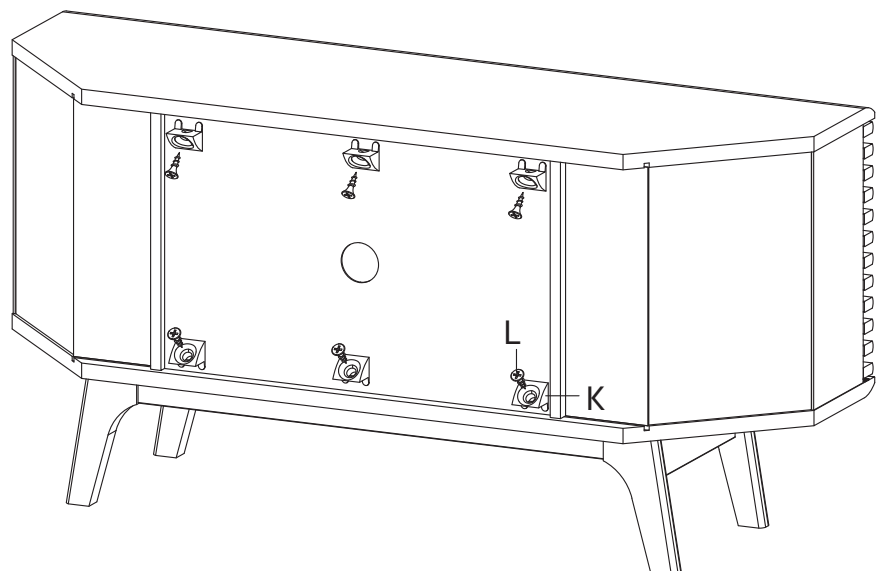
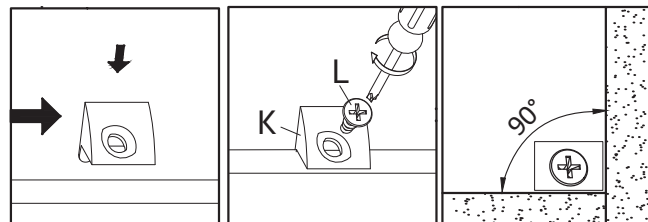


# Step 15

## HARDWARE

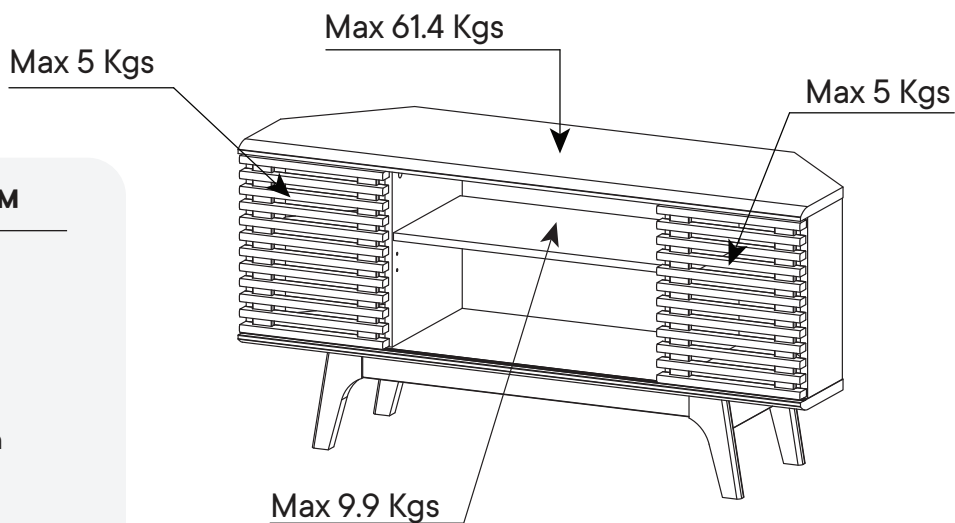
**K** Wedge x6

**L** Screw M 3.5 x 15.5 mm x6



# Great job!

TV Stand assembly is complete.



## ♥ CARING FOR YOUR ITEM

Indoor use only.

Not contract grade.

Clean using a non-abrasive cloth and a mild cleaner.

Never use harsh chemicals, as they could damage the finish or integrity of the item.

CONNECT WITH US!   

Tag us @modway\_furniture and #modway for a chance to be featured.