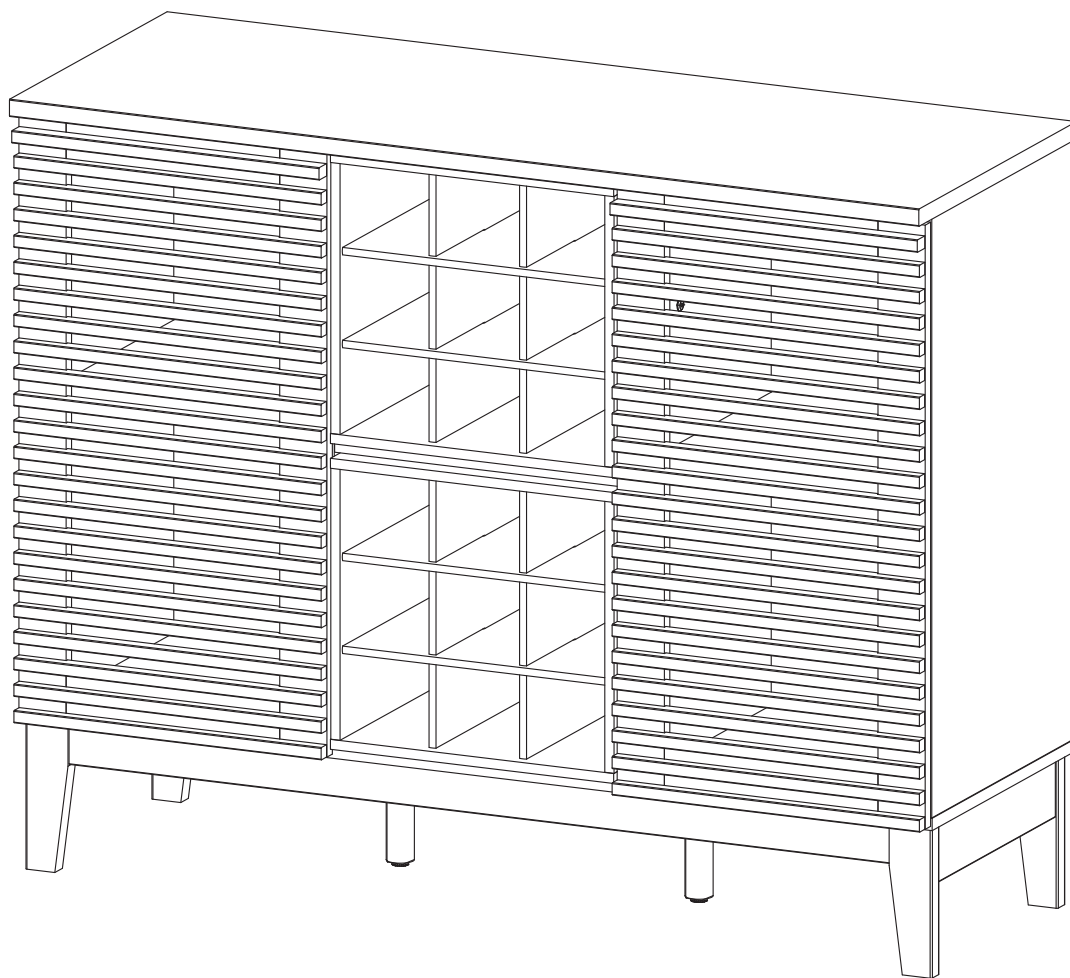


# ASSEMBLY INSTRUCTIONS

# EEI-6156

V0.07.15.22



**Questions? Contact us!**

609.256.9000 • [cs@modway.com](mailto:cs@modway.com)  
[www.modway.com](http://www.modway.com)

\*modway

# Let's get started!

\*modway



Read through all of the instructions before starting



Care instructions are listed in the last step of this manual



Approx. 70 minutes assembly time



Make sure you have all parts and components before discarding any packing materials



2 people recommended for assembly

Only use hand tools to assemble this item. Do not use power tools. Do not tighten bolts or screws completely until all hardware is lined up and inserted into the holes.

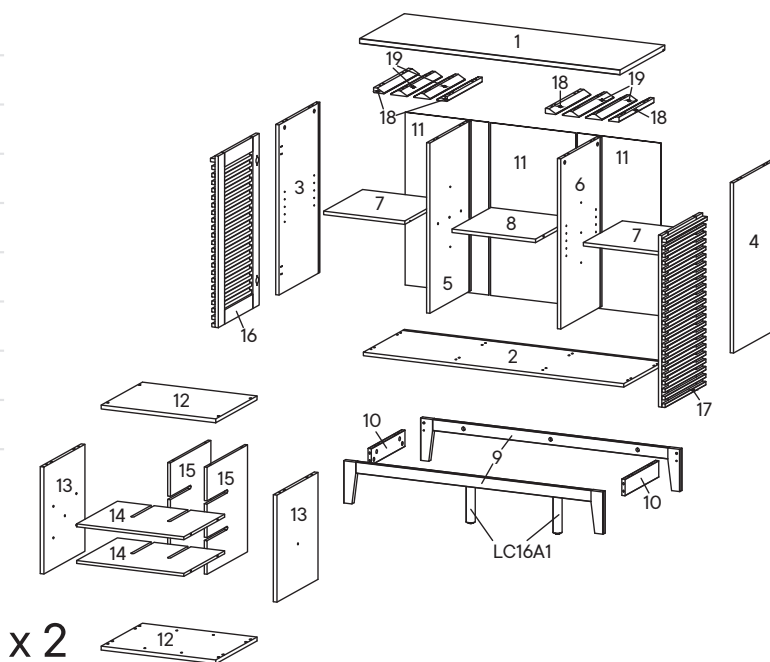
Do not over-tighten screws and bolts to avoid stripping the hardware or cracking the item.

Assemble your item on a flat, carpeted area, with plenty of space to work. This will prevent damage and scratches to your floors or the item while you're assembling the product.

Keep all components and packaging out of reach of children or animals to avoid risk of choking or suffocation.

## Furniture components:

1	Top Board	x1	13	Side Board (Cubby)	x2
2	Bottom Board	x1	14	Middle Board	x2
3	Side Board Left	x1	15	Cubby Divider	x2
4	Side Board Right	x1	16	Door Frame - Left	x1
5	Center Board Left	x1	17	Door Frame - Right	x1
6	Center Board Right	x1	18	Stemware Holder 1	x4
7	Adjustable Shelf	x2	19	Stemware Holder 1	x4
8	Fixed Shelf	x1	LC16A1	Center Leg	x2
9	Assembly Leg	x2			
10	Support Leg	x2			
11	Back Board	x3			
12	Top Board (Cubby)	x2			



## Provided hardware:

A		Cam Bolt Ø6 x 35 mm	x22	J		Wedge	x24	PM2		Mounting Plate	x2
B		Cam Lock Ø15 mm	x22	K		Screw M 3.5 x 15.5 mm	x24	HS35A		Hinge	x4
C		Wood Dowel Ø8 x 30 mm	x52	L		Screw M 6 x 25 mm	x4				
D		Screw M 7 x 50 mm	x10	M		Screw M 6.4 x 35 mm	x16				
E		Allen Key	x2	N		Screw M 8 x 39 mm	x16				
F		Wood Dowel Ø6 x 30 mm	x48	O		Floor Protector 25 x 15 x 2 mm	x4				
G		JCN Nut	x4	P		Shelf Pin	x8				
H		Screw M 4.5 x 12.5 mm	x32	Q		Floor Protector 15 x 15 x 2 mm	x12				
I		Screw Cap Ø15 mm	x8	R		Stopper	x2				

## What you need:

Phillips Head Screwdriver

Wait!

Missing parts or hardware? Need assistance?  
Contact us before returning your item. We're here to help!  
609.256.9000 • cs@modway.com

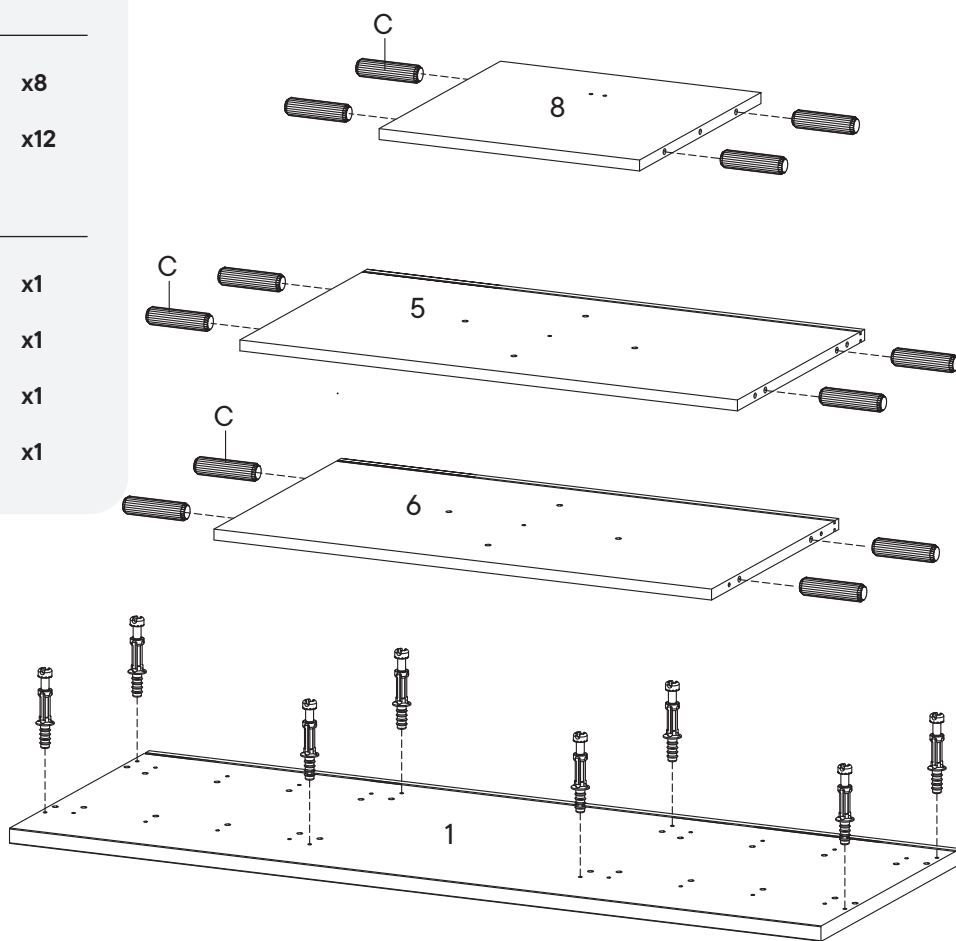
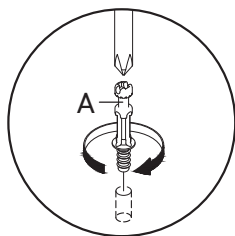
# Step 1

## HARDWARE

- A** Cam Bolt  $\varnothing 6 \times 35$  mm x8
- C** Wood Dowel  $\varnothing 8 \times 30$  mm x12

## COMPONENTS

- 1** Top Board x1
- 5** Center Board Left x1
- 6** Center Board Right x1
- 8** Fixed Shelf x1



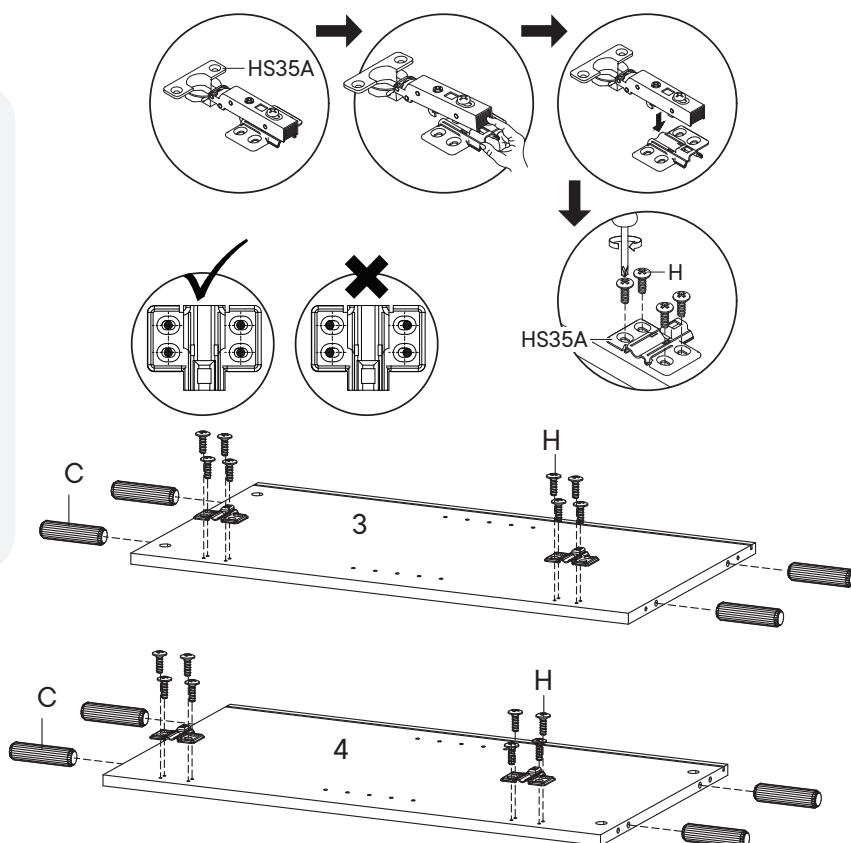
# Step 2

## HARDWARE

- C** Wood Dowel  $\varnothing 8 \times 30$  mm x8
- H** Screw M 4.5 x 12.5 mm x16
- HS35A** Hinge x4

## COMPONENTS

- 3** Side Board Left x1
- 4** Side Board Right x1



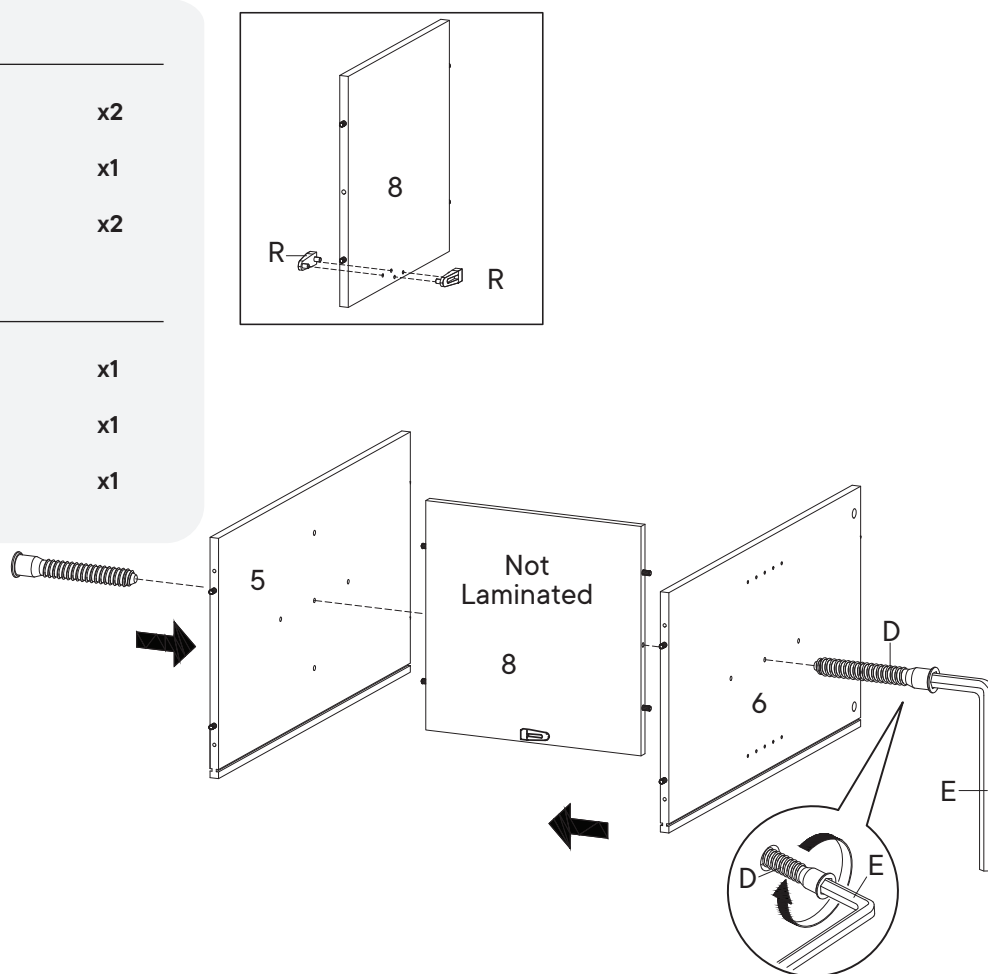
## Step 3

### HARDWARE

- D** Screw M 7 x 50 mm x2
- E** Allen Key x1
- R** Stopper x2

### COMPONENTS

- 5** Center Board Left x1
- 6** Center Board Right x1
- 8** Fixed Shelf x1



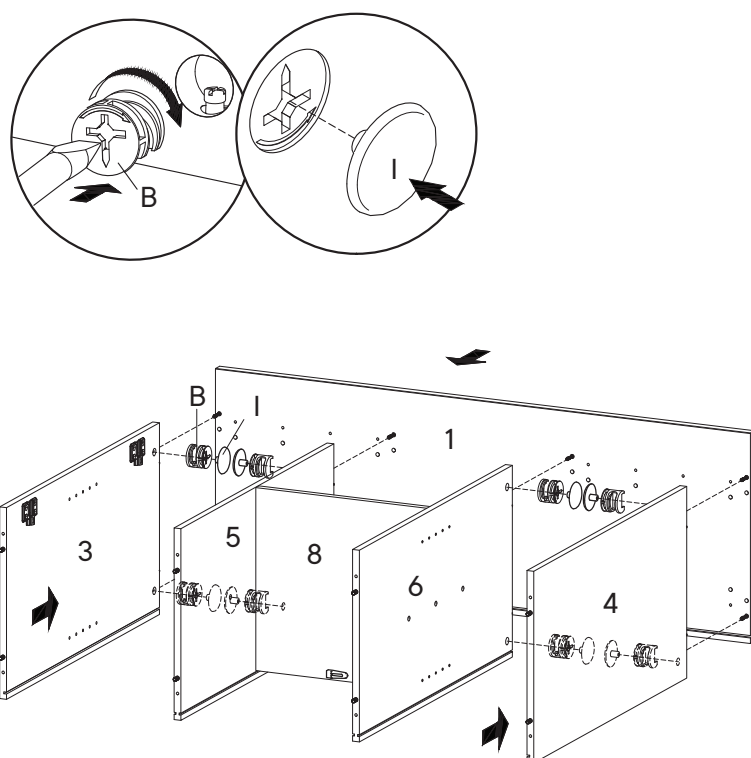
## Step 4

### HARDWARE

- B** Cam Lock Ø15 mm x8
- I** Screw Cap Ø15 mm x8

### COMPONENTS

- 1** Top Board x1
- 3** Center Board Left x1
- 4** Center Board Right x1



# Step 5

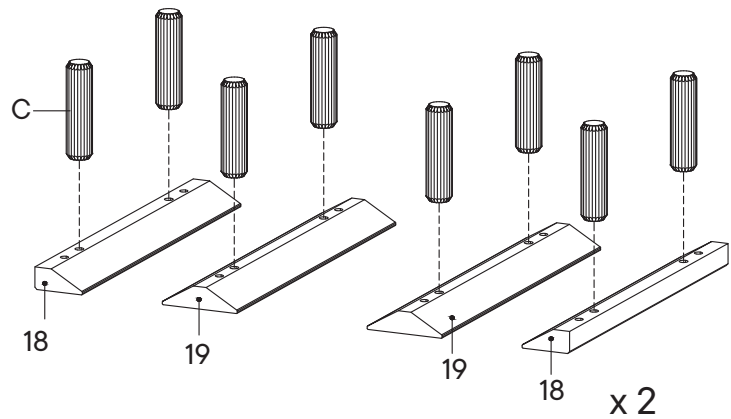
## HARDWARE

**C** Wood Dowel Ø8 x 30 mm x16

## COMPONENTS

**18** Stemware Holder 1 x4

**19** Stemware Holder 2 x4



# Step 6

## HARDWARE

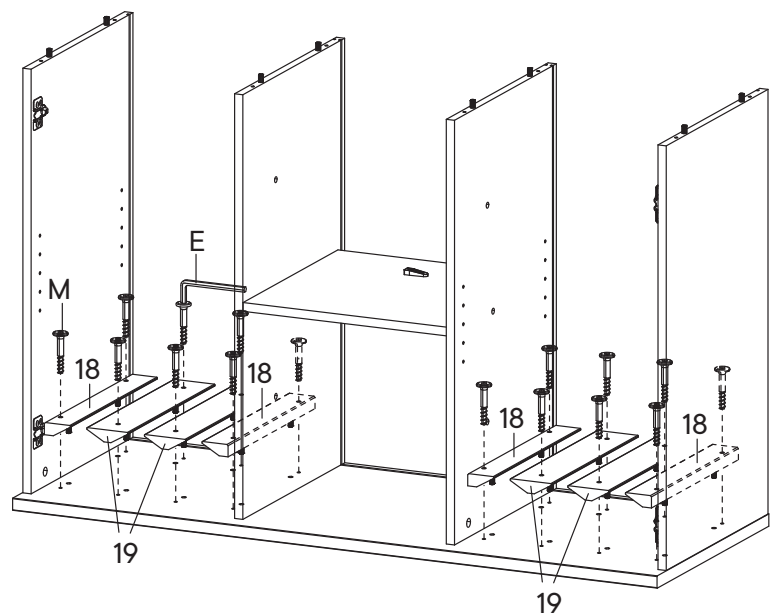
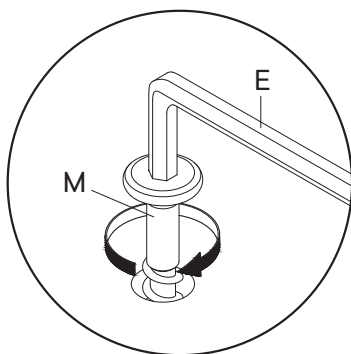
**E** Allen Key x1

**M** Screw M 6.4 x 35 mm x16

## COMPONENTS

**18** Stemware Holder 1 x4

**19** Stemware Holder 2 x4



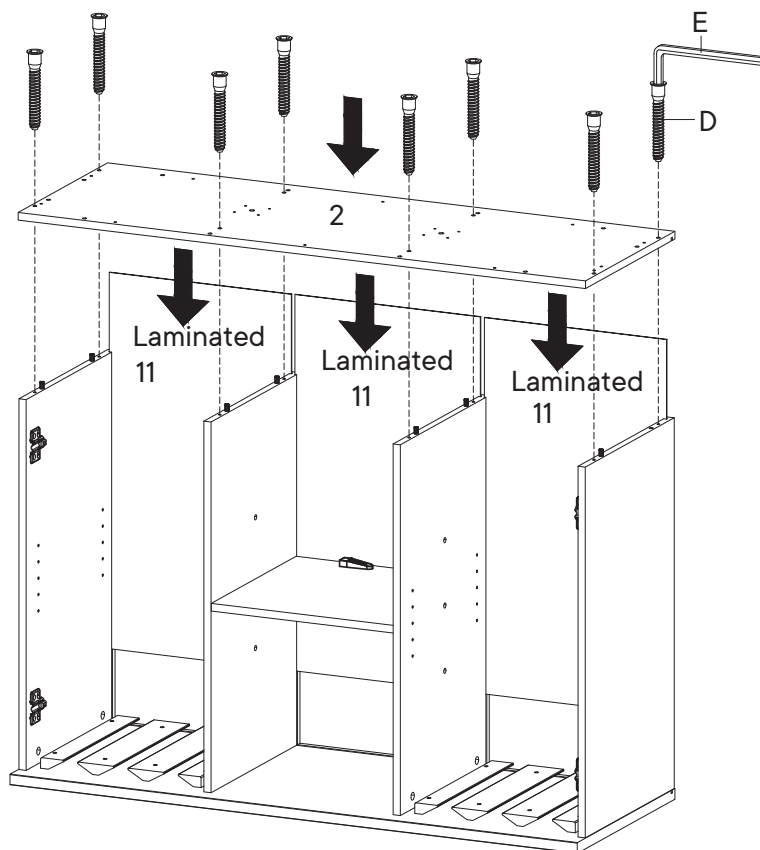
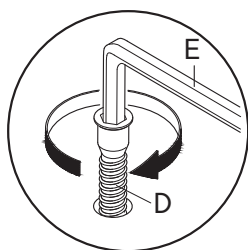
# Step 7

## HARDWARE

- D** Screw M 7 x 50 mm x8
- E** Allen Key x1

## COMPONENTS

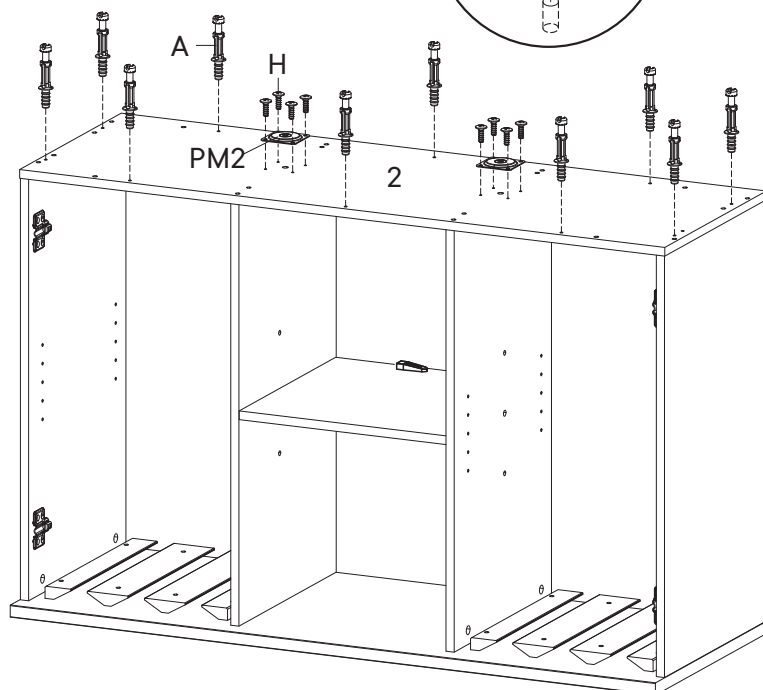
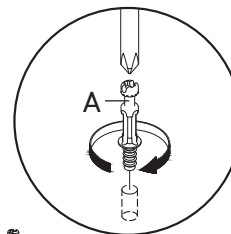
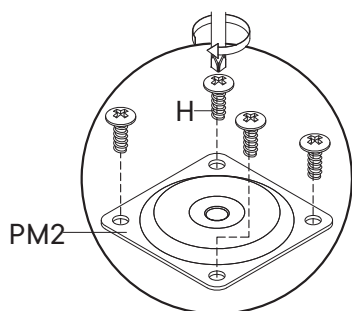
- 2** Bottom Board x1
- 11** Back Board x3



# Step 8

## HARDWARE

- A** Cam Bolt  $\varnothing 6$  x 35 mm x10
- H** Screw M 4.5 x 12.5 mm x8
- PM2** Mounting Plate x2



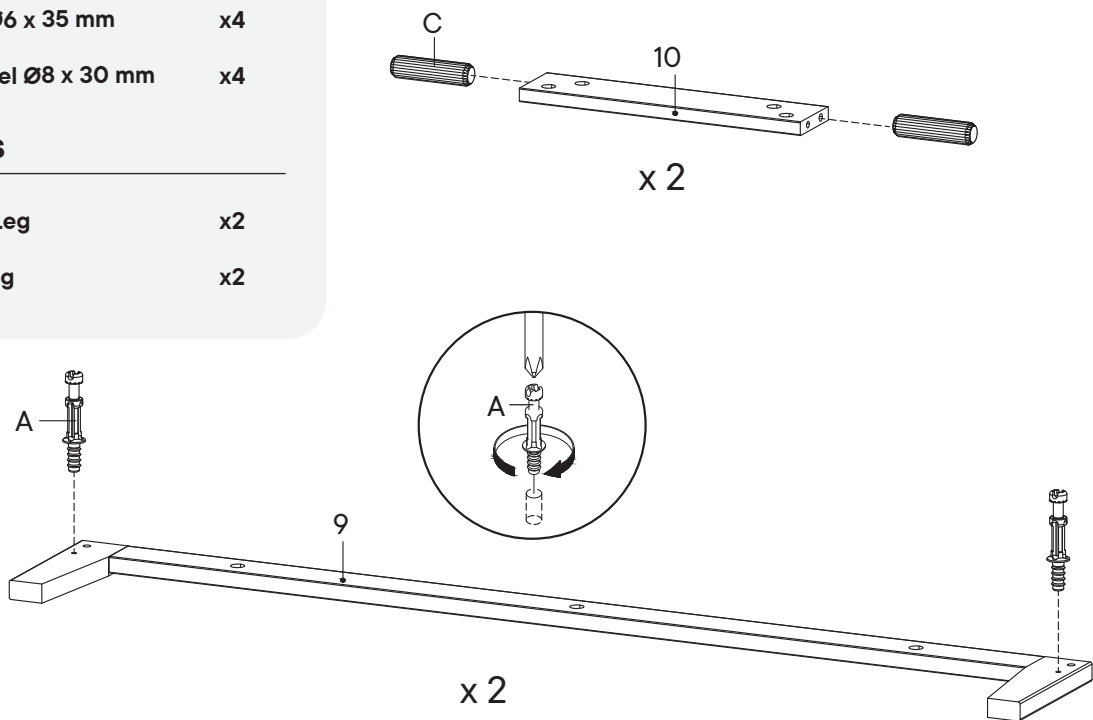
# Step 9

## HARDWARE

- A** Cam Bolt  $\varnothing 6 \times 35$  mm x4
- C** Wood Dowel  $\varnothing 8 \times 30$  mm x4

## COMPONENTS

- 9** Assembly Leg x2
- 10** Support Leg x2



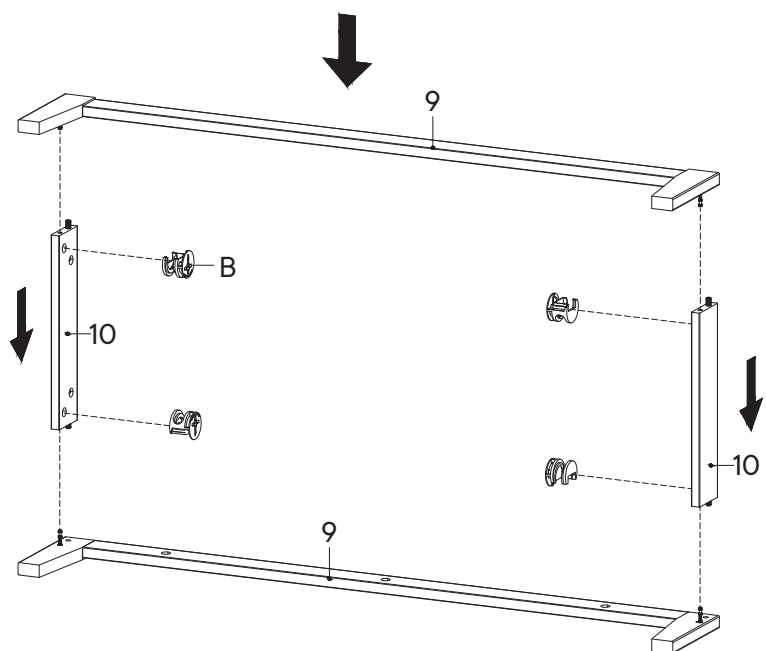
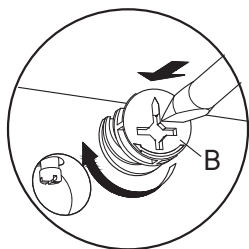
# Step 10

## HARDWARE

- B** Cam Lock  $\varnothing 15$  mm x4

## COMPONENTS

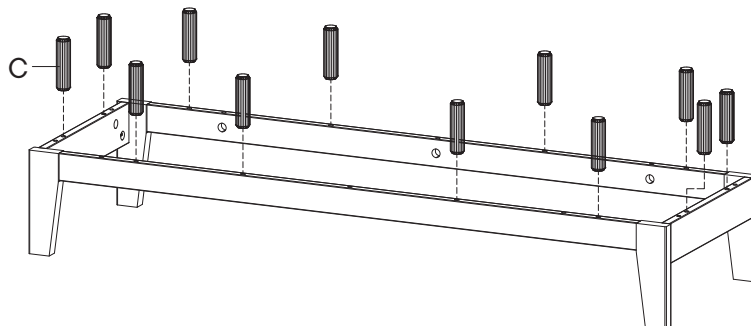
- 9** Assembly Leg x2
- 10** Support Leg x2



## Step 11

### HARDWARE

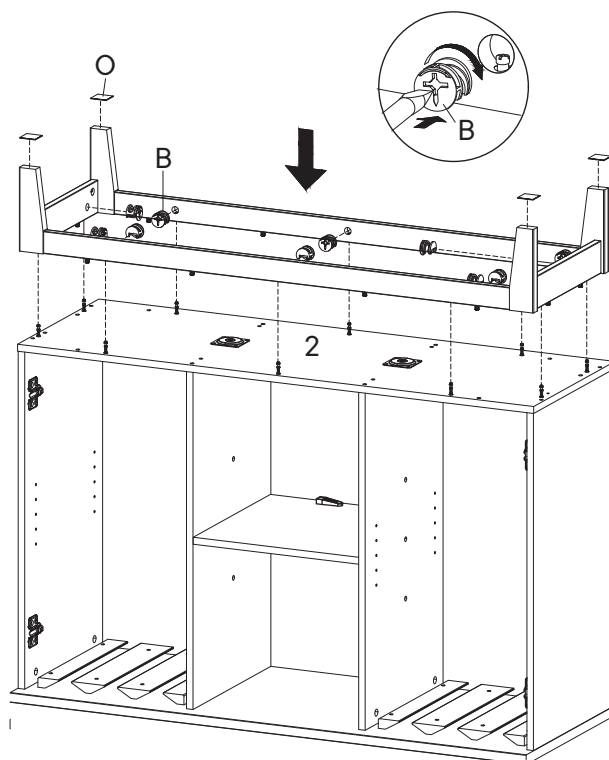
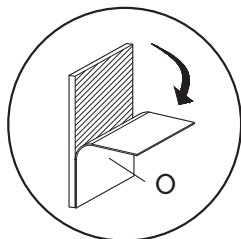
- C** Wood Dowel  $\varnothing 8 \times 30$  mm x12



## Step 12

### HARDWARE

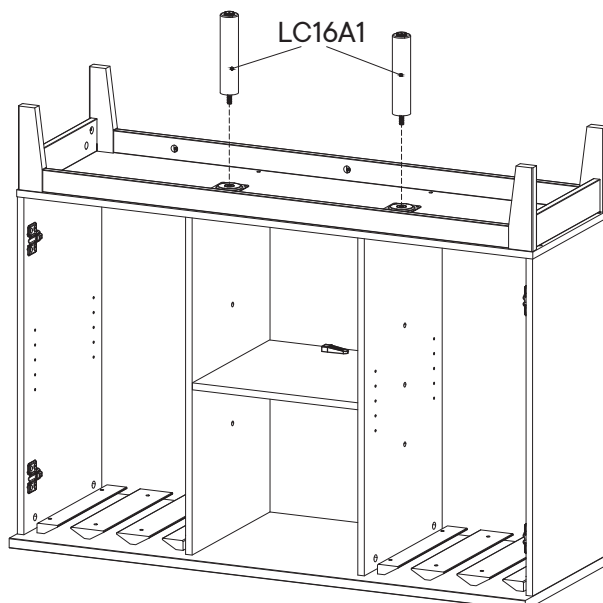
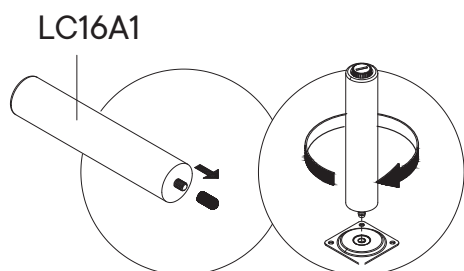
- B** Cam Lock  $\varnothing 15$  mm x10
- O** Floor Protector 25x15x2 mm x4



## Step 13

### COMPONENTS

- LC16A1** Center Leg x2





# Step 14

## HARDWARE

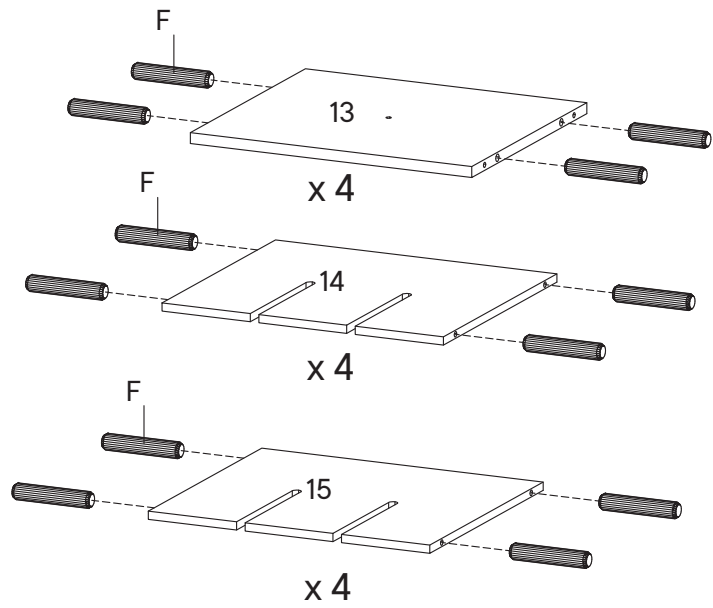
**F** Wood Dowel Ø6 x 30 mm x48

## COMPONENTS

**13** Side Board (Cubby) x4

**14** Middle Board x4

**15** Cubby Divider x4



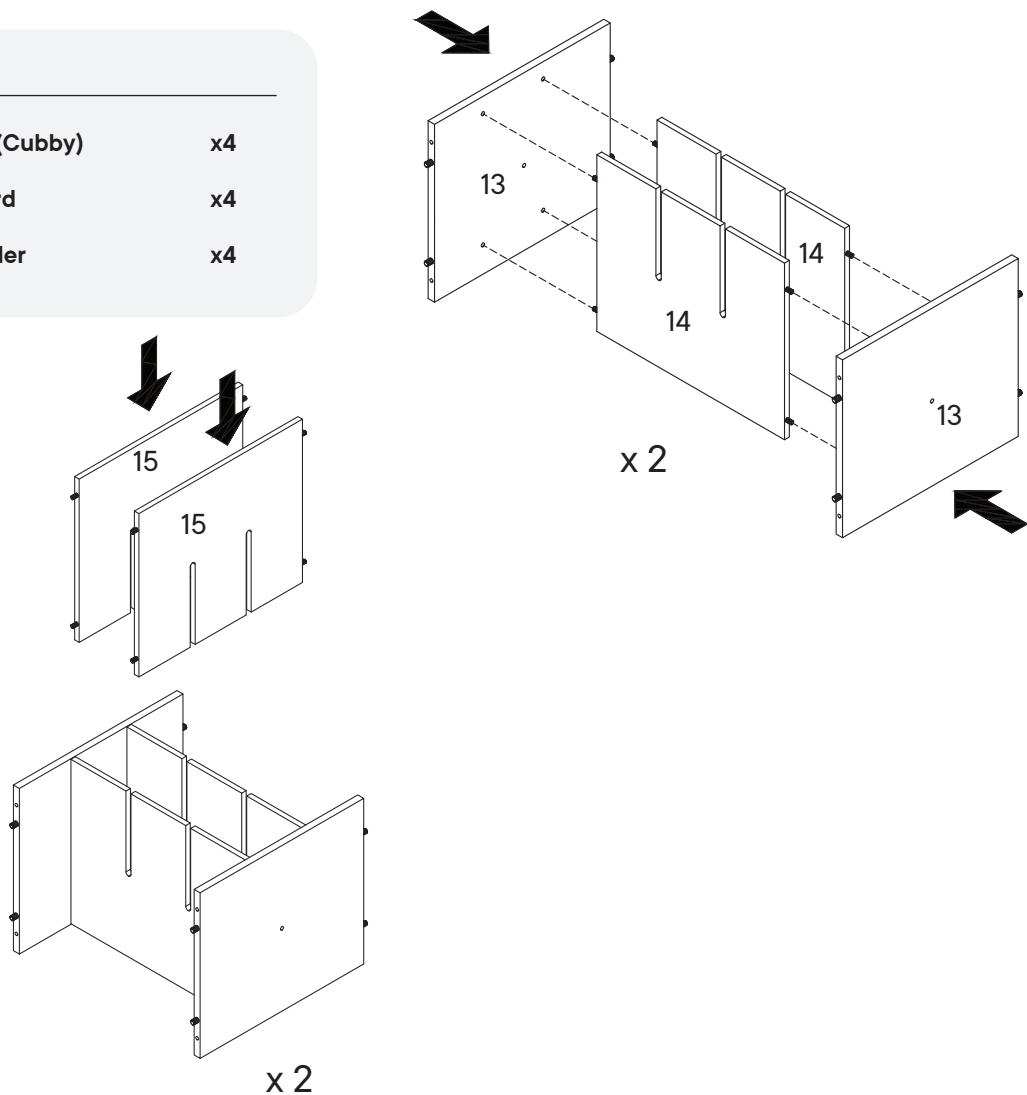
# Step 15

## COMPONENTS

**13** Side Board (Cubby) x4

**14** Middle Board x4

**15** Cubby Divider x4



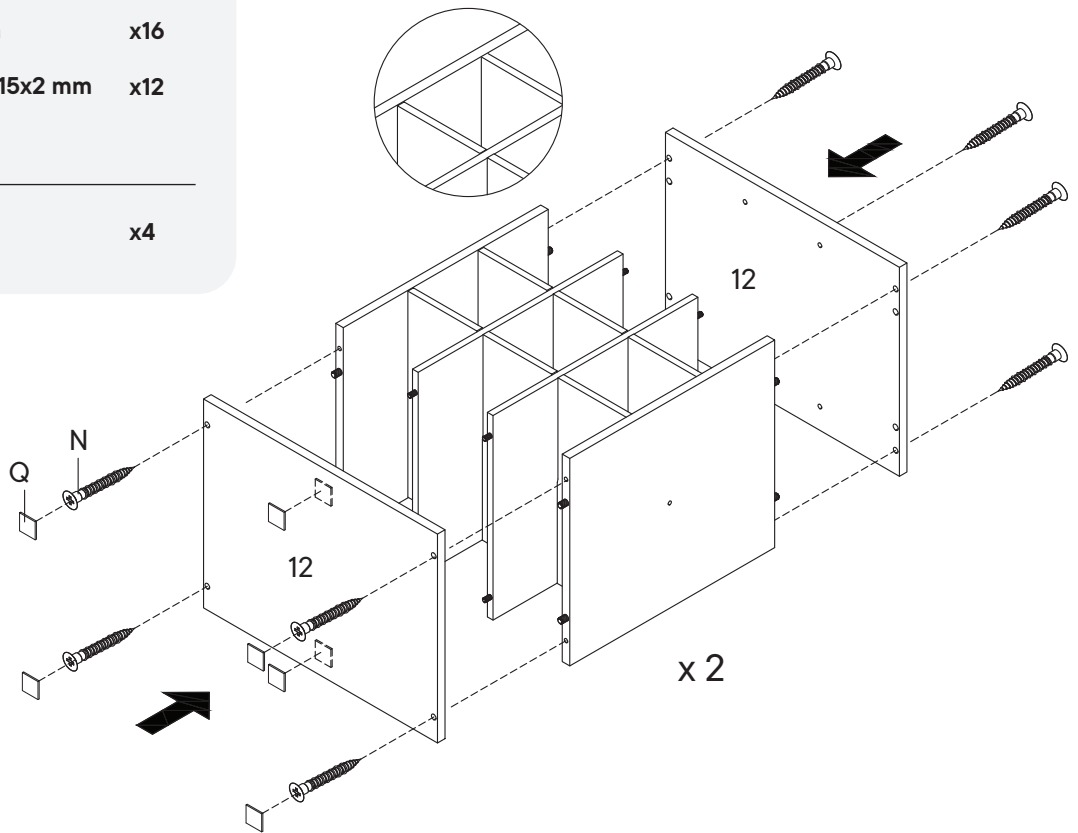
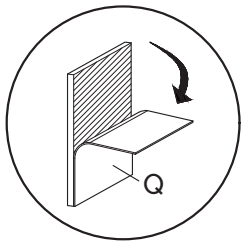
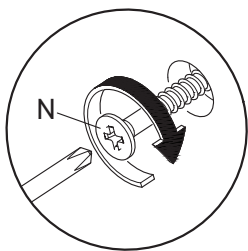
# Step 16

## HARDWARE

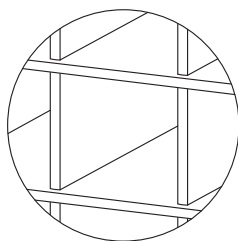
- N** Screw M 8 x 39 mm x16
- Q** Floor Protector 15x15x2 mm x12

## COMPONENTS

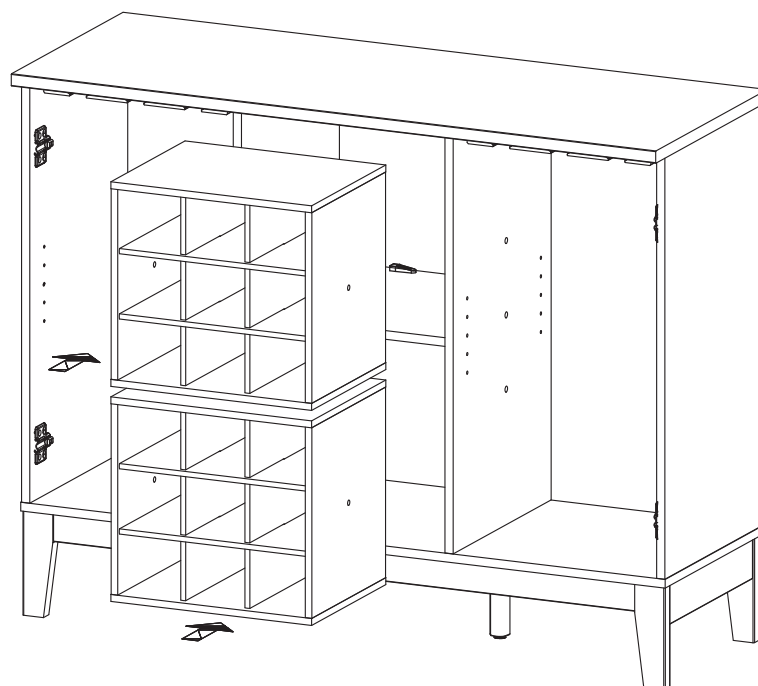
- 12** Top Board (Cubby) x4



# Step 17



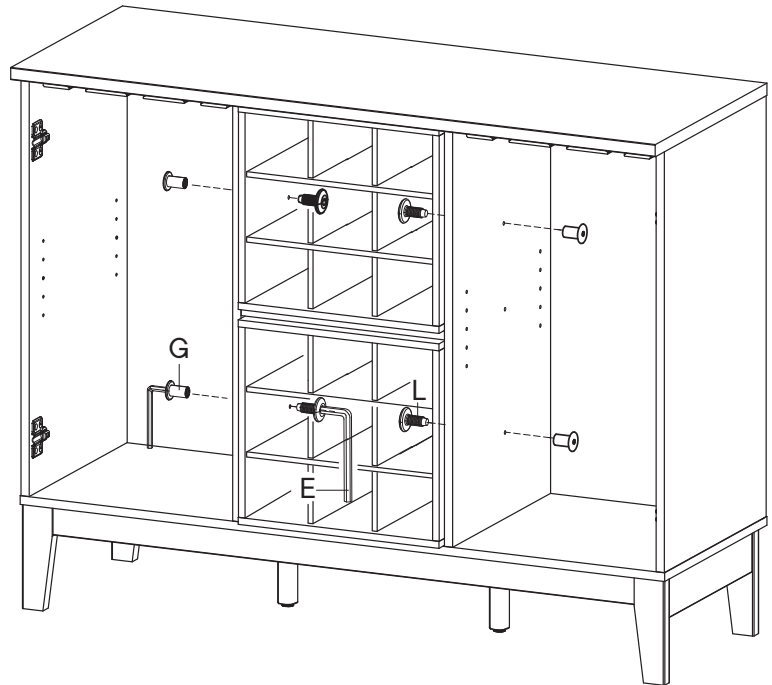
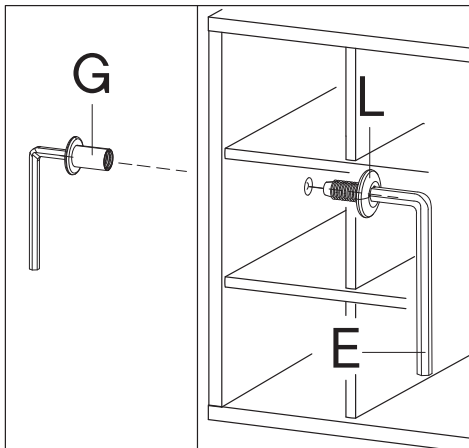
FRONT



# Step 18

## HARDWARE

- E** Allen Key x1
- G** JCN Nut x4
- L** Screw M 6 x 15 mm x4



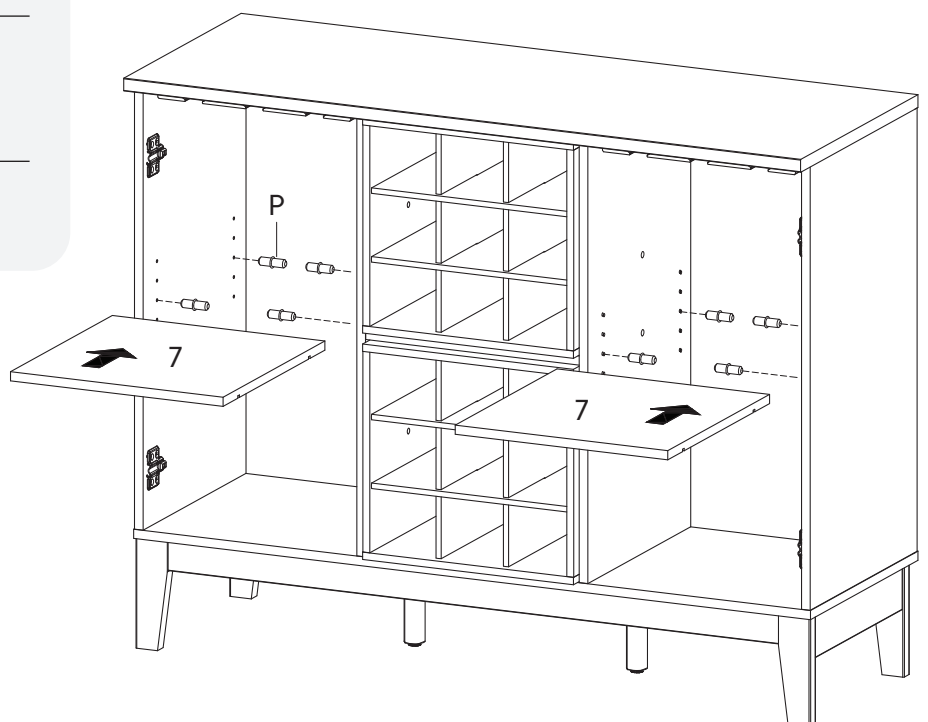
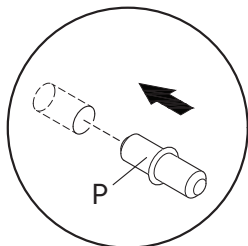
# Step 19

## HARDWARE

- P** Shelf Pin x8

## COMPONENTS

- 7** Adjustable Shelf x2



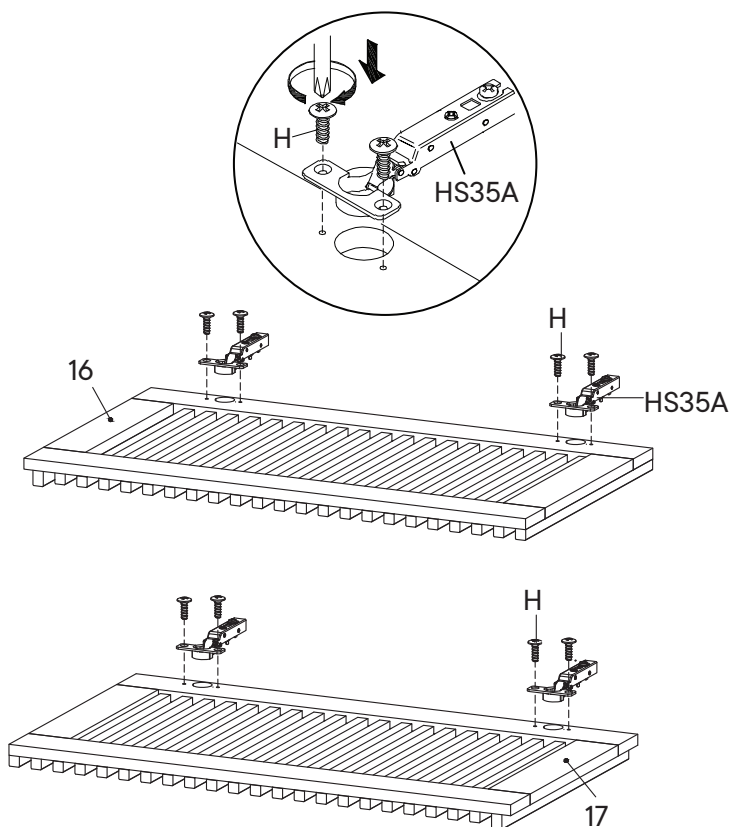
# Step 20

## HARDWARE

- H** Screw M 4.5 x 12.5 mm x8
- HS35A** Hinge x4

## COMPONENTS

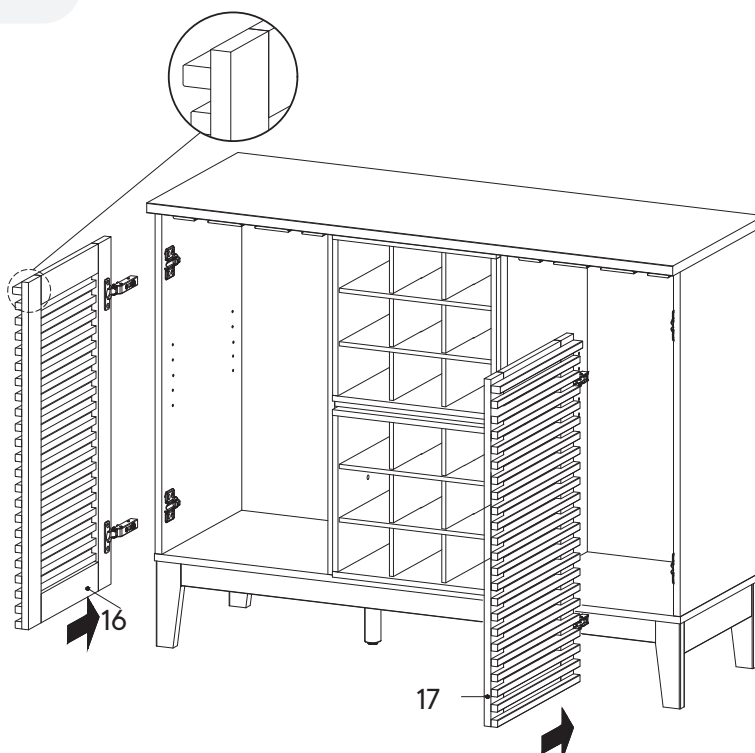
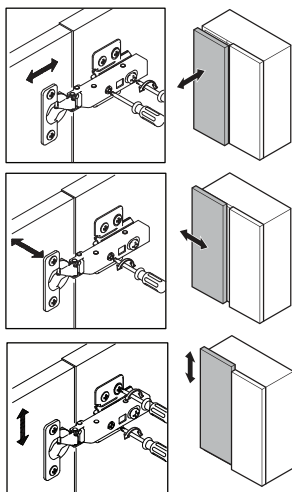
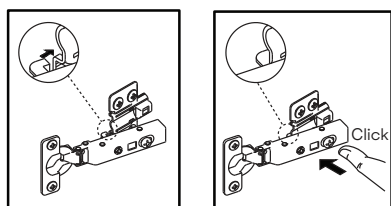
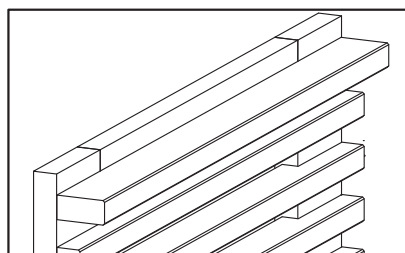
- 16** Door Frame - Left x1
- 17** Door Frame - Right x1



# Step 21

## COMPONENTS

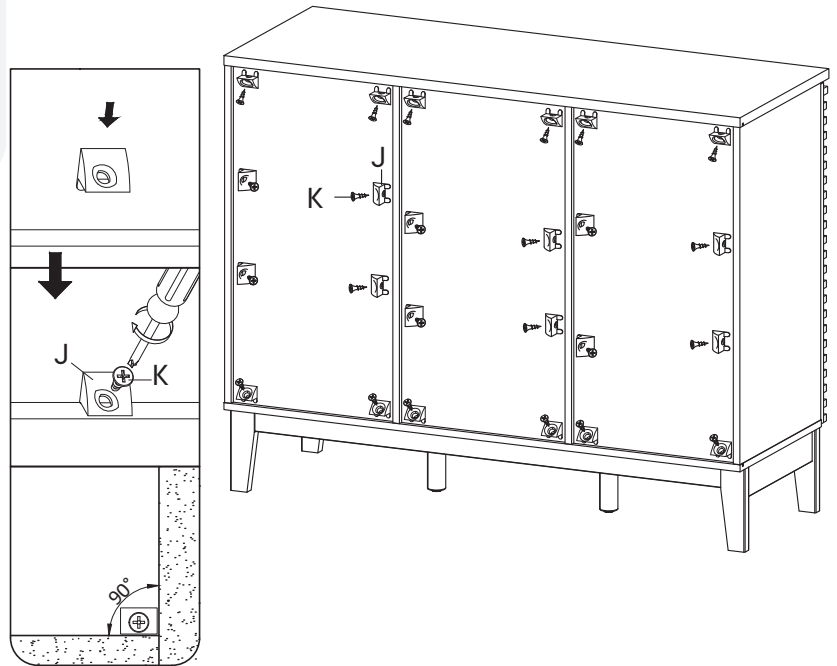
- 16** Door Frame - Left x1
- 17** Door Frame - Right x1



# Step 22

## HARDWARE

- J** Wedge x24
- K** Screw M 3.5 x 15.5 mm x24



# Great job!

Bar Cabinet assembly is complete

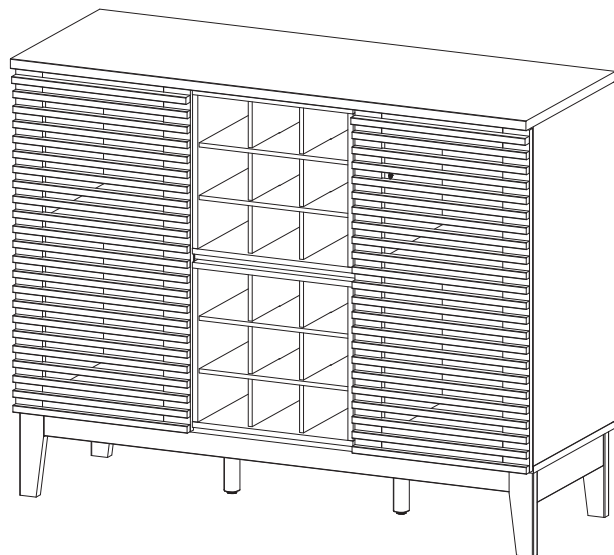
## ♥ CARING FOR YOUR ITEM

Indoor use only.

Not contract grade.

Clean using a non-abrasive cloth and a mild cleaner.

Never use harsh chemicals, as they could damage the finish or integrity of the item.



CONNECT WITH US!   

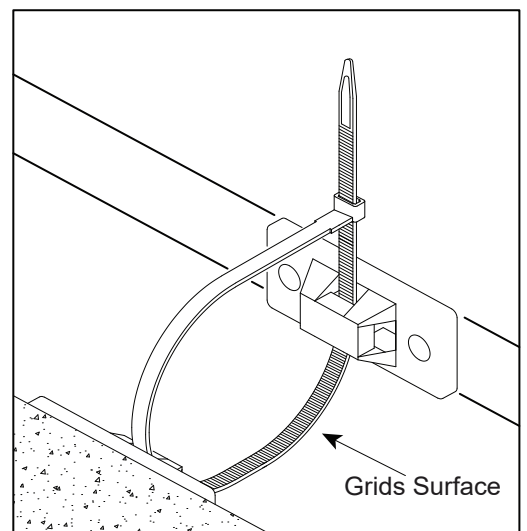
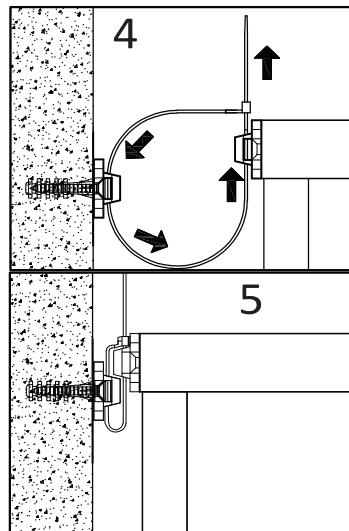
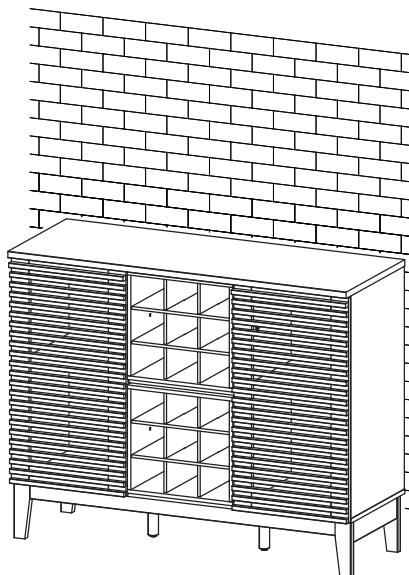
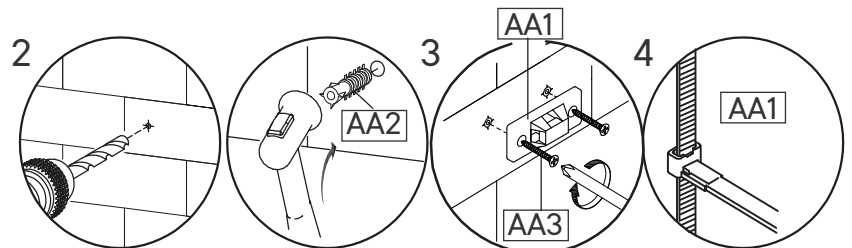
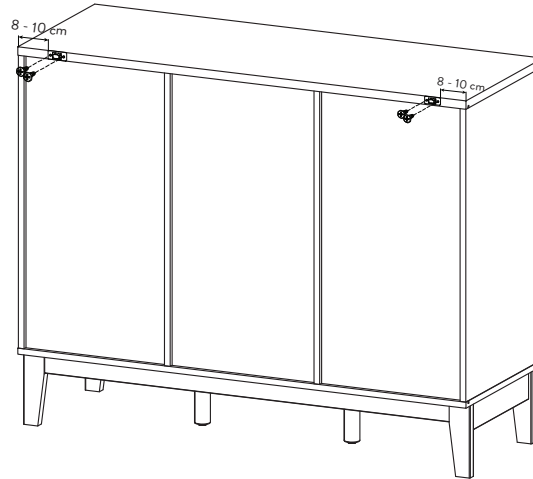
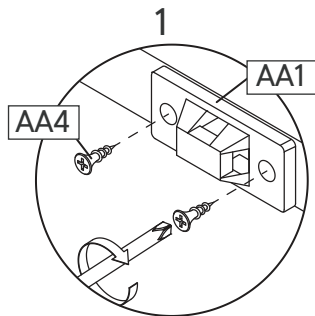
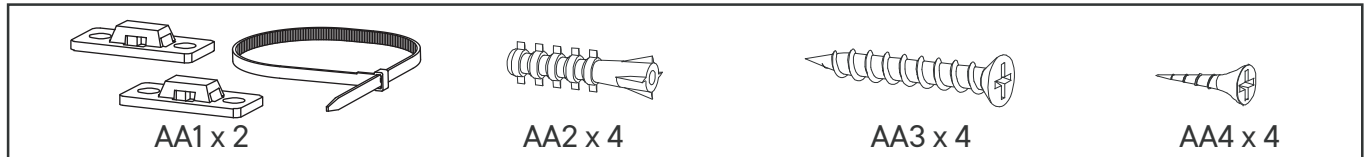
Tag us @modway\_furniture and #modway for a chance to be featured.

## TIPPING RESTRAINTS KIT INSTALLATION GUIDANCE

Different wall materials require unique wall fasteners.

The wall plugs (AA2) and screws (AA3) are designed for fixing to concrete walls only.

Please consult your local hardware store to ensure you are using the correct hardware for you wall type.



### Installation Instructions :

1. Attach bracket (AA1) securely to the back top of the furniture using screw (AA4) provided. Allow 8 - 10 cm from each side.
2. Please make a hole for wall plugs position on the wall and minimum 15 mm below bracket secured to the back of unit attach the wall plugs (AA2).
3. Locate the other bracket (AA1) on the wall over wall plugs (AA2). Place furniture into position so both brackets (AA1) are vertically in the line.
4. Lace the end of the restraints strap through the larger hole in each bracket. Ensure the restraints strap with grids surface facing the inner loops. Bring both ends together and slide the flat end through the locking end and draw it through until all slack is removed.
5. Make sure that the strap is securely laced & locked.