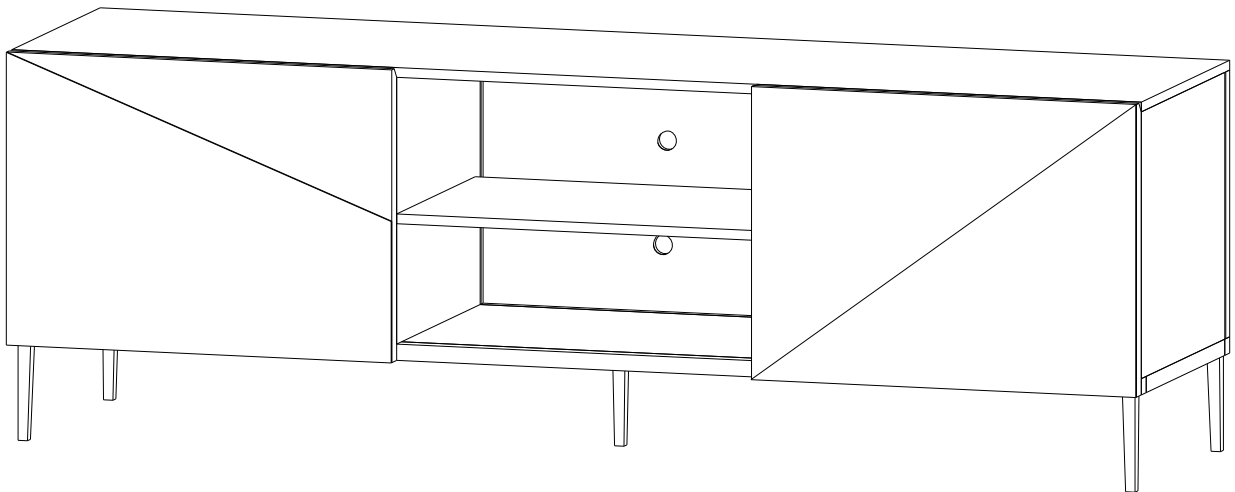


# ASSEMBLY INSTRUCTIONS

# EEI-6146

v0.12.25.22



**Questions? Contact us!**

609.256.9000 • [cs@modway.com](mailto:cs@modway.com)  
[www.modway.com](http://www.modway.com)

**\*modway**



Read through all of the instructions before starting



Care instructions are listed in the last step of this manual



Approx. 60 minutes assembly time



Make sure you have all parts and components before discarding any packing materials



2 people recommended for assembly

**Only use hand tools to assemble this item.** Do not use power tools. Do not tighten bolts or screws completely until all hardware is lined up and inserted into the holes.

Do not over-tighten screws and bolts to avoid stripping the hardware or cracking the item.

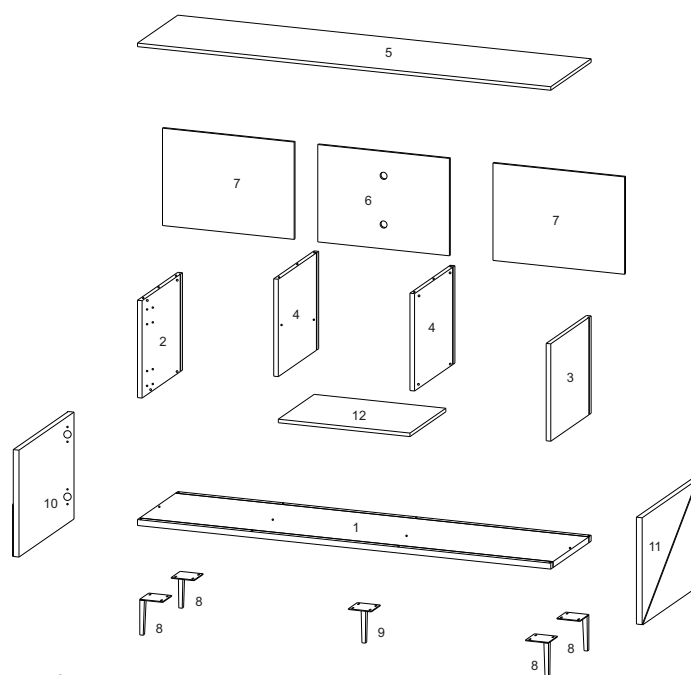
For vanity and plumbing installation, we suggest hiring a professional contractor and plumber.

Assemble your item on a flat, carpeted area, with plenty of space to work. This will prevent damage and scratches to your floors or the item while you're assembling the product.

Keep all components and packaging out of reach of children or animals to avoid risk of choking or suffocation.

## Furniture components:

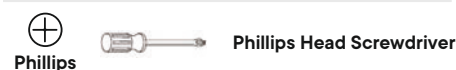
1	Bottom Panel	x1	11	Right Door	x1
2	Left Side Panel	x1	12	Shelf	x1
3	Right Side Panel	x1			
4	Middle Panel	x2			
5	Top Panel	x1			
6	Back Middle Panel	x1			
7	Back Side Panel	x2			
8	Leg	x4			
9	Centre Leg	x1			
10	Left Door	x1			



## Provided hardware:

A		Cam Bolt M6 x 35mm	x16
B		Cam Lock Ø15mm	x16
C		Wood Dowel M8 x 30mm	x16
D		Screw M4.5 x 16mm	x32
E		Shelf Support	x4
F		Allen Bolt M6 x 25mm	x16
G		Flat Washer M6	x16
H		Allen Key	x1
I		Hinge	x4

## What you need:



## You may also need:

- + Power Drill
- + Level
- + Silicone Adhesive or Caulk
- + Drywall Anchors and Screws
- + Other Wall-Mounting Hardware

Wait!

Missing parts or hardware? Need assistance?  
Contact us before returning your item. We're here to help!  
609.256.9000 • cs@modway.com

# Step 1

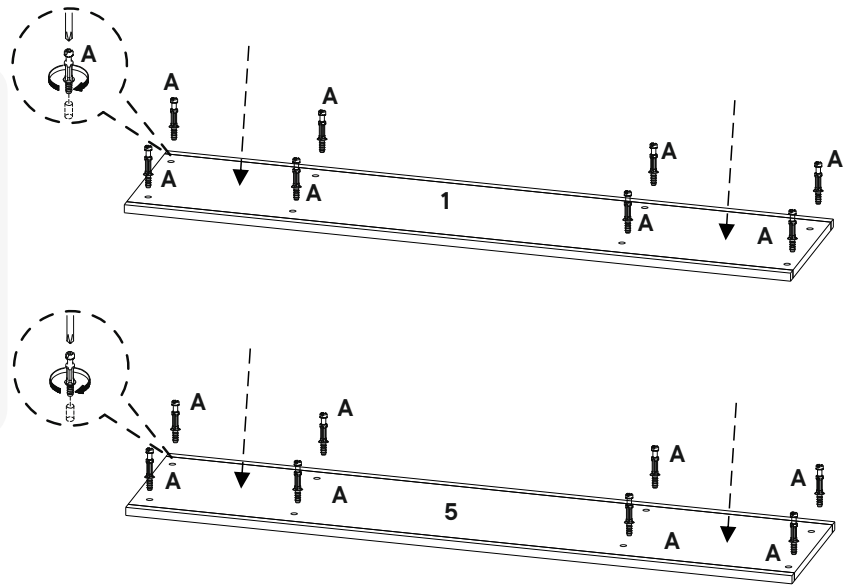
## HARDWARE

**A** Cam Bolt M6 x 35mm x16

## COMPONENTS

**1** Bottom Panel x1

**5** Top Panel x1



# Step 2

## HARDWARE

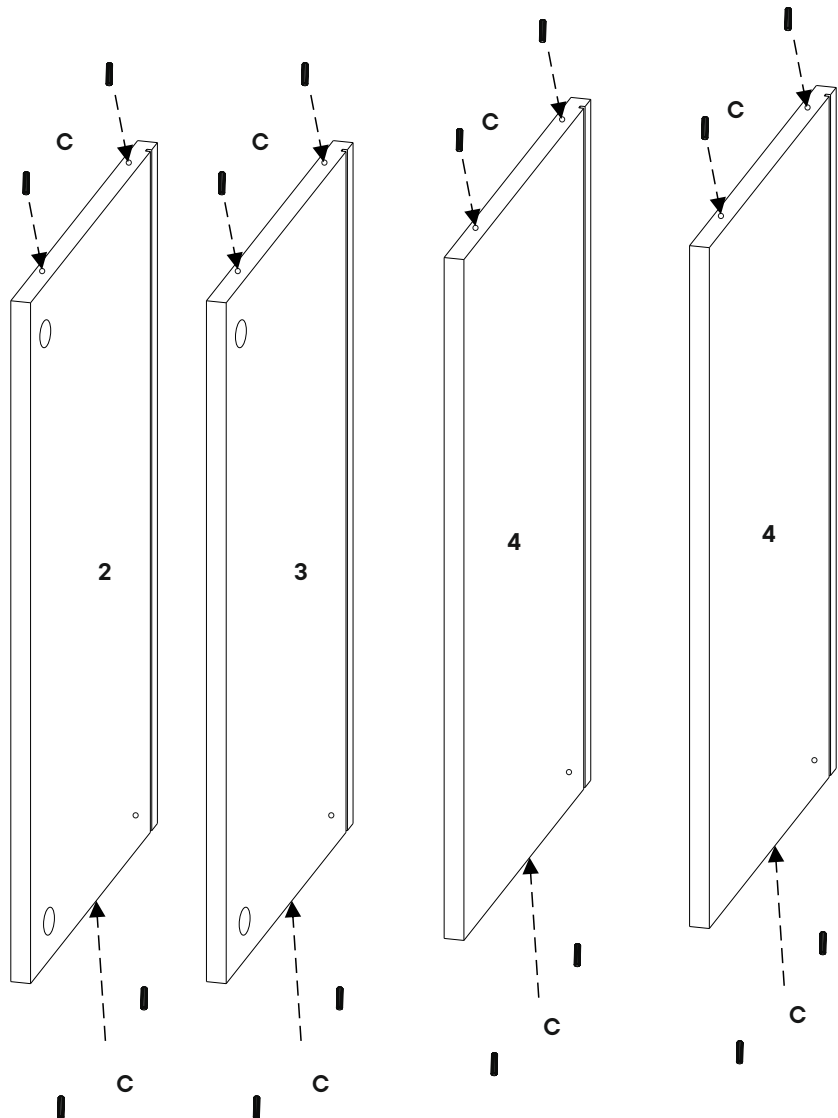
**C** Wood Dowel M8 x 30mm x16

## COMPONENTS

**2** Left Side Panel x1

**3** Right Side Panel x1

**4** Middle Panel x2



# Step 3

## HARDWARE

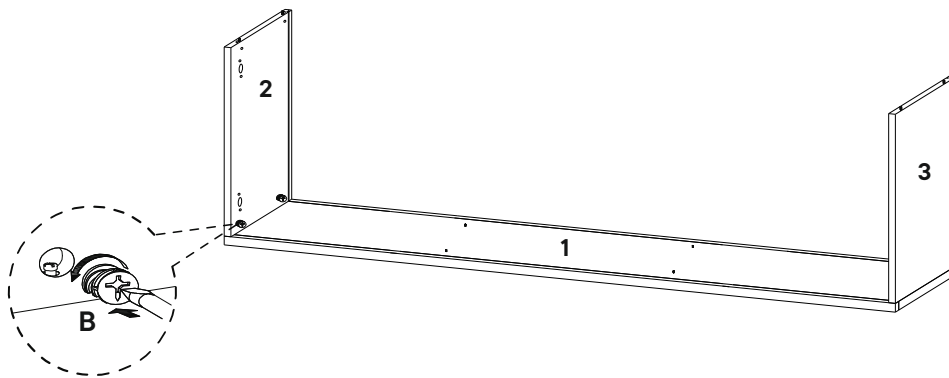
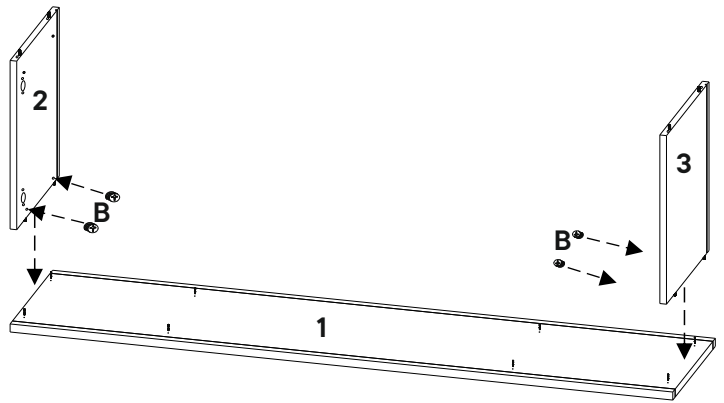
**B** Cam Lock Ø 15mm x4

## COMPONENTS

**1** Bottom Panel x1

**2** Left Side Panel x1

**3** Right Side Panel x1



# Step 4

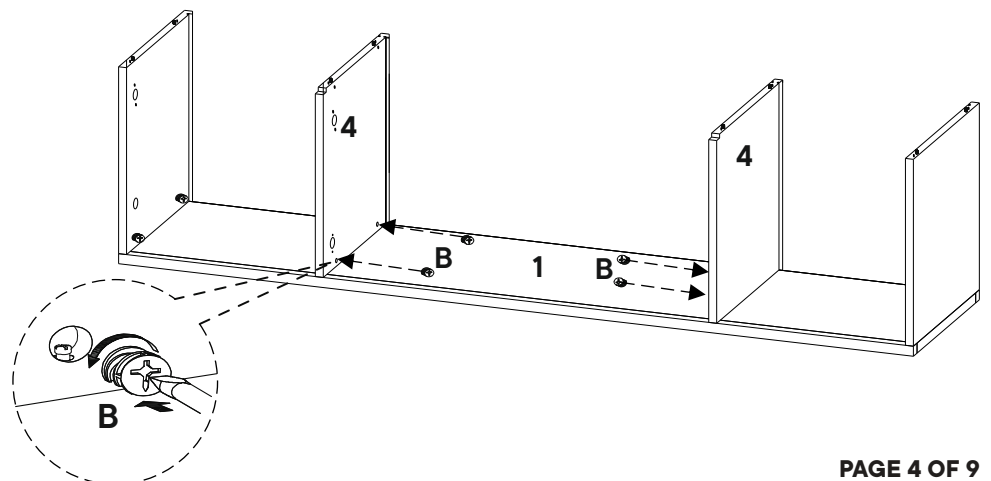
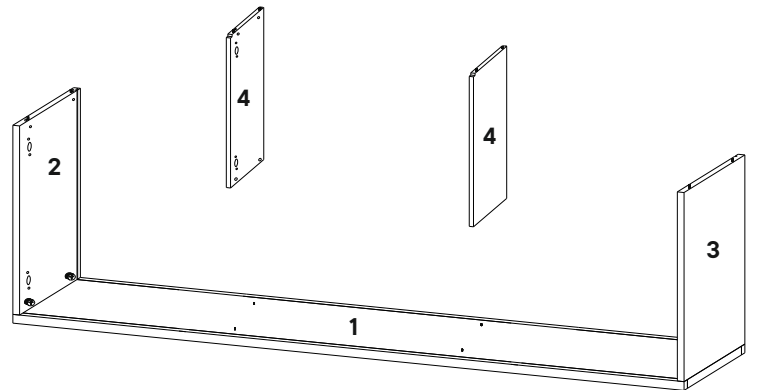
## HARDWARE

**B** Cam Lock Ø15mm x4

## COMPONENT

**1** Bottom Panel x1

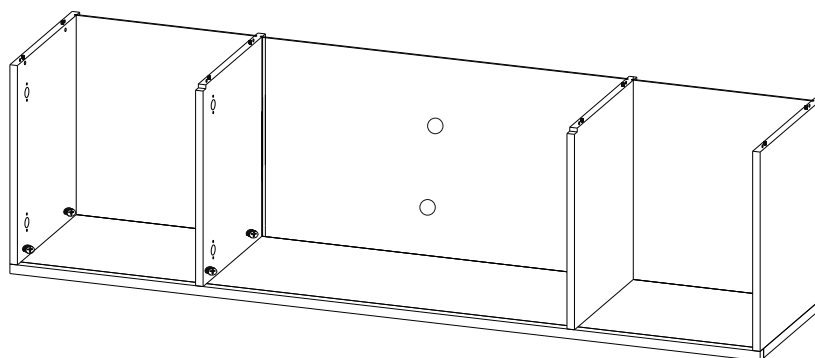
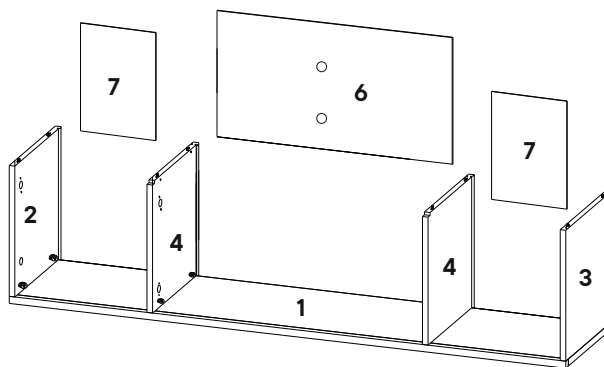
**4** Middle Panel x2



# Step 5

## COMPONENTS

- |   |                   |    |
|---|-------------------|----|
| ① | Bottom Panel      | x1 |
| ② | left Side Panel   | x1 |
| ③ | Right Side Panel  | x1 |
| ④ | Middle Panel      | x2 |
| ⑥ | Back Middle Panel | x1 |
| ⑦ | Back Side Panel   | x2 |



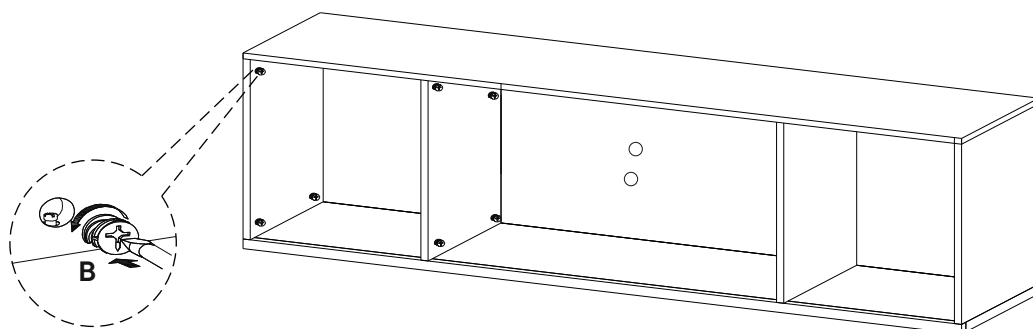
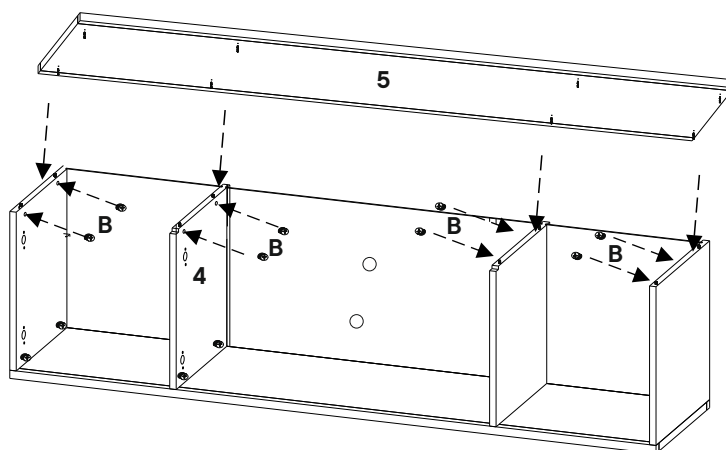
# Step 6

## HARDWARE

- |   |                |    |
|---|----------------|----|
| Ⓑ | Cam Lock Ø15mm | x8 |
|---|----------------|----|

## COMPONENTS

- |   |                  |    |
|---|------------------|----|
| ② | Left Side Panel  | x1 |
| ③ | Right Side Panel | x1 |
| ④ | Middle Panel     | x2 |
| ⑤ | Top Panel        | x1 |



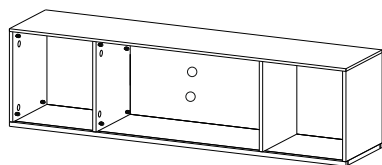
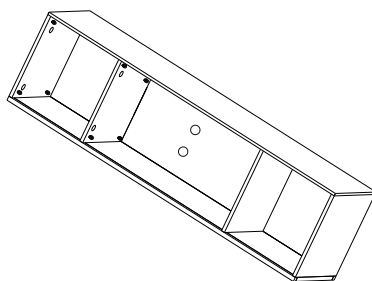
# Step 9

## HARDWARE

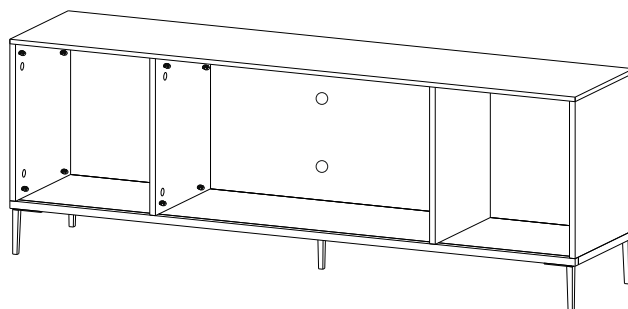
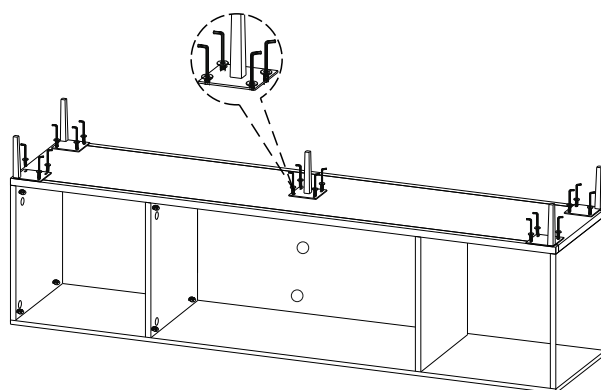
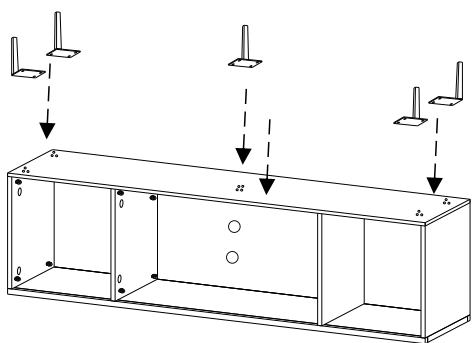
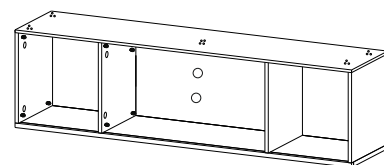
- F** Allen Bolt M6 x 25mm x16
- G** Flat Washer M6 x16
- H** Allen Key x1

## COMPONENTS

- 8** Leg x4
- 9** Center Leg x1



Turn Upside Down



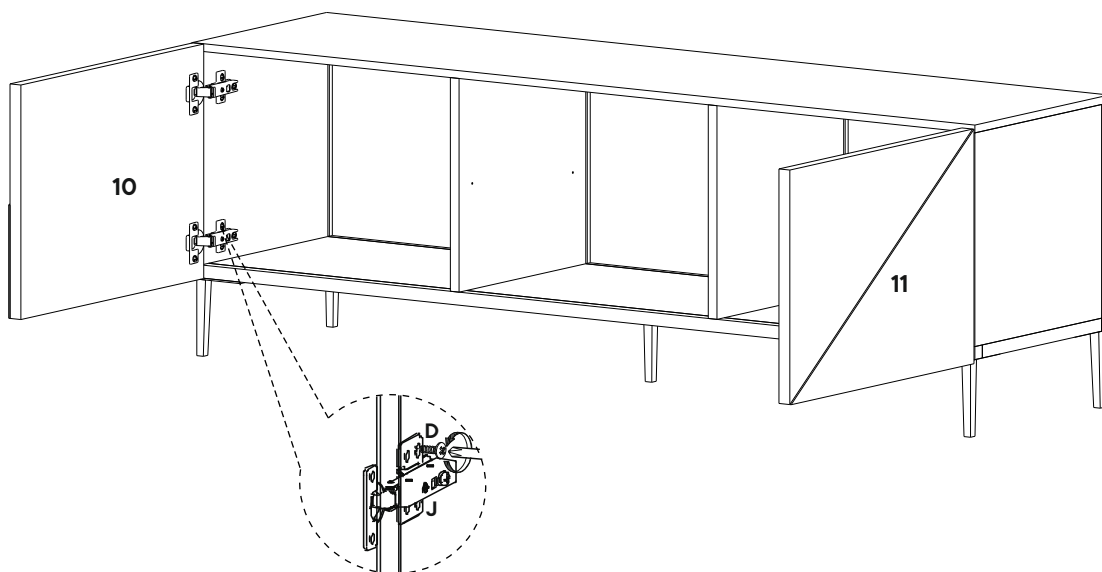
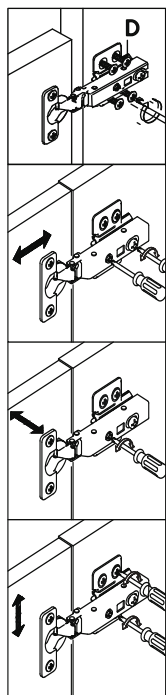
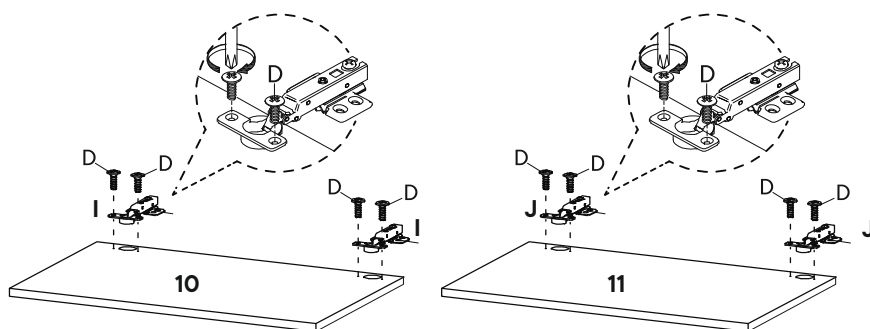
# Step 10

## HARDWARE

- D** Screw M4.5 x 16mm x24
- I** Hinge x4

## COMPONENTS

- 10** Left Door x1
- 11** Right Door x1



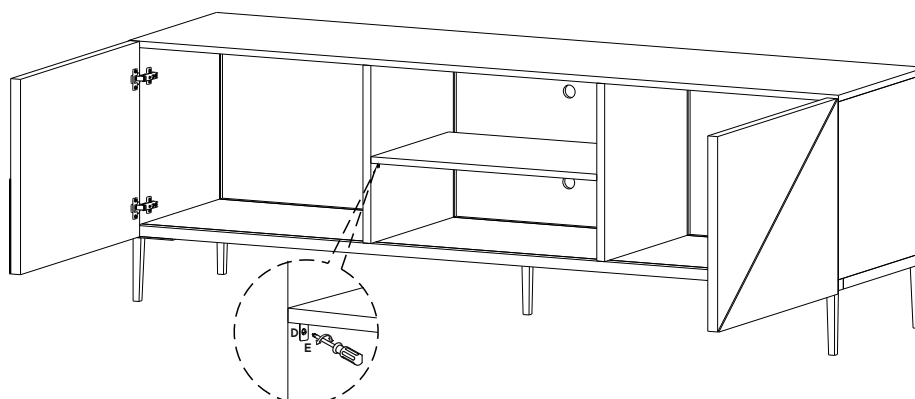
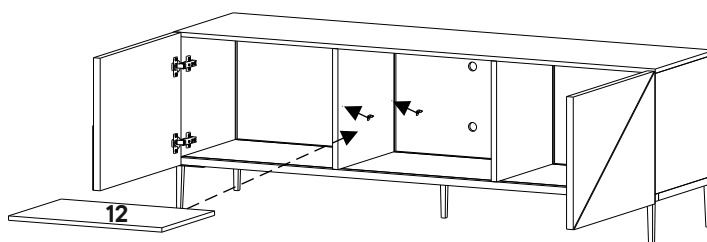
# Step 11

## HARDWARE

- D** Screw M4.5 x 16mm x8
- E** Shelf Support x4

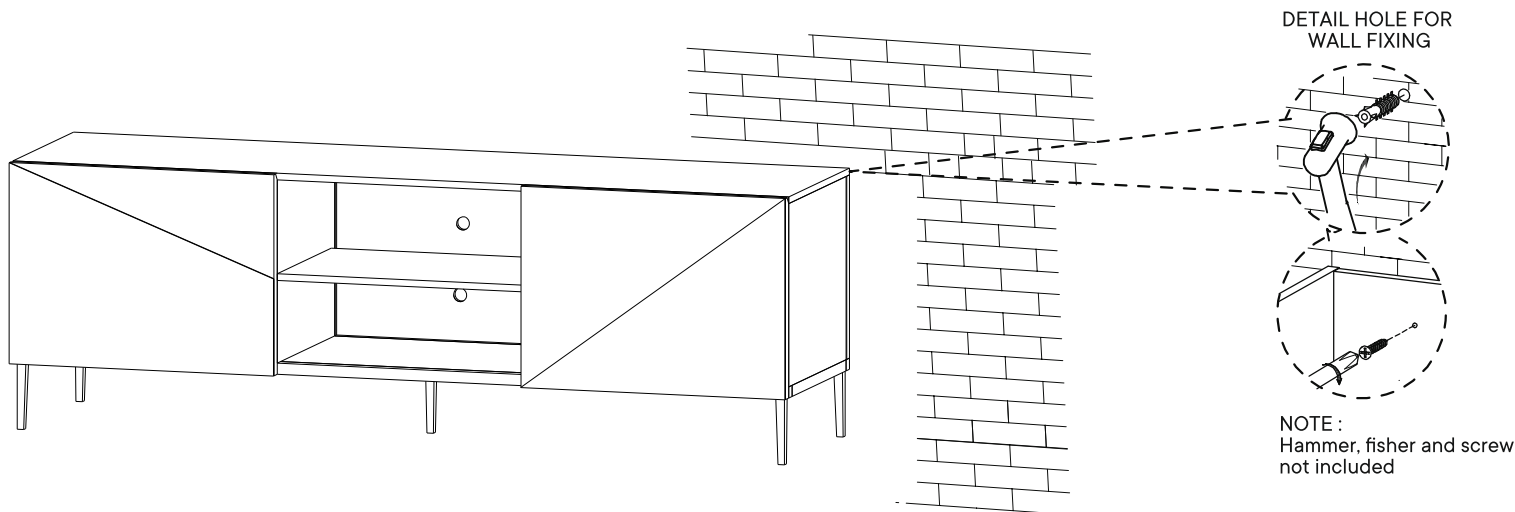
## COMPONENTS

- 12** Shelf x1



## Step 12

**Attachment of Furniture:** This furniture may represent a danger for your security if its attachment on the wall has been done in an incorrect way. This attachment must be done by a person with great expertise who will make sure adequacy between the device of fixing and the wall. Please source the right fitting according to the wall type. For safety, it is imperative to fix your furniture to the wall.





# Great job!

TVC assembly is complete.

## ♥ CARING FOR YOUR ITEM

Indoor use only.

Not contract grade.

Clean using a non-abrasive cloth and a mild cleaner.

Never use harsh chemicals, as they could damage the finish or integrity of the item.

CONNECT WITH US!   

Tag us [@modway\\_furniture](#) and [#modway](#) for a chance to be featured.

