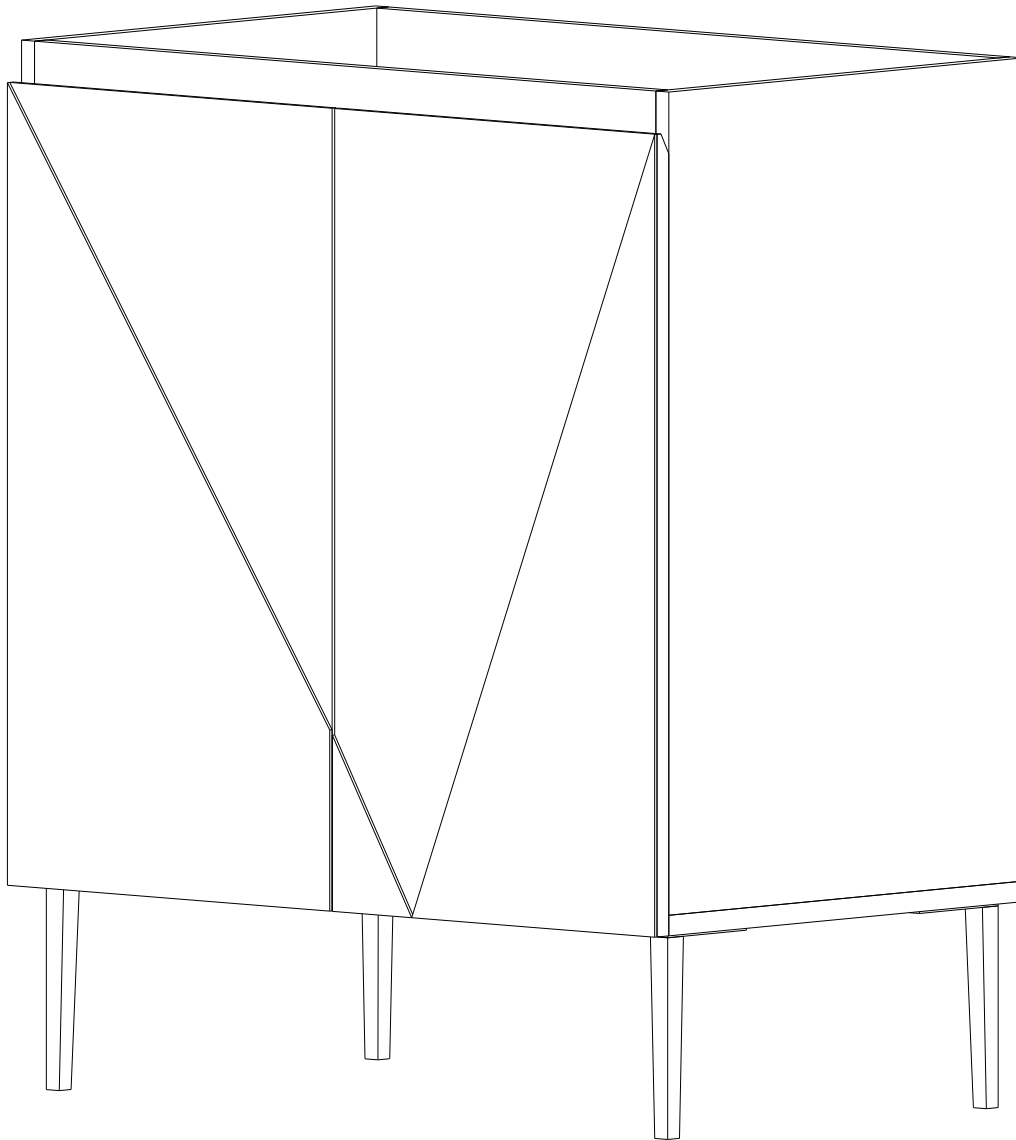


ASSEMBLY INSTRUCTIONS

EEI-6142

V1.22.12.22



Questions? Contact us!

609.256.9000 • cs@modway.com
www.modway.com

*modway

Let's get started!

*modway



Read through all of the instructions before starting



Care instructions are listed in the last step of this manual



Approx. 60 minutes assembly time



Make sure you have all parts and components before discarding any packing materials



2 people recommended for assembly

Only use hand tools to assemble this item. Do not use power tools. Do not tighten bolts or screws completely until all hardware is lined up and inserted into the holes.

Do not over-tighten screws and bolts to avoid stripping the hardware or cracking the item.

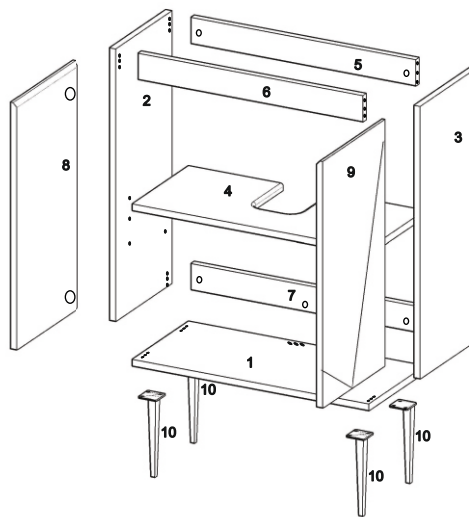
For vanity and plumbing installation, we suggest hiring a professional contractor and plumber.

Assemble your item on a flat, carpeted area, with plenty of space to work. This will prevent damage and scratches to your floors or the item while you're assembling the product.

Keep all components and packaging out of reach of children or animals to avoid risk of choking or suffocation.

Furniture components:

1	Bottom Panel	x1
2	Left Side Panel	x1
3	Right Side Panel	x1
4	Adjustable Shelf Panel	x1
5	Top Back Panel	x1
6	Front Top Panel	x1
7	Bottom Back Panel	x1
8	Left Door Panel	x1
9	Right Door Panel	x1
10	Leg	x4



Provided hardware:

A		Cam Bolt M6 x 35 mm	x11
B		Cam Lock M15	x11
C		Wood Dowel M8 x 30mm	x22
D		Screw M4.5 x 16mm	x24
E		Shelf Pin	x4
F		Allen Bolt M6 x 25mm	x12
G		Flat Washer M6	x12
H		Hinge	x4
I		Allen Key	x1

What you need:



Phillips



Phillips Head Screwdriver

You may also need:

- + Power Drill
- + Level
- + Silicone Adhesive or Caulk
- + Drywall Anchors and Screws
- + Other Wall-Mounting Hardware

Wait!

Missing parts or hardware? Need assistance?
Contact us before returning your item. We're here to help!
609.256.9000 • cs@modway.com

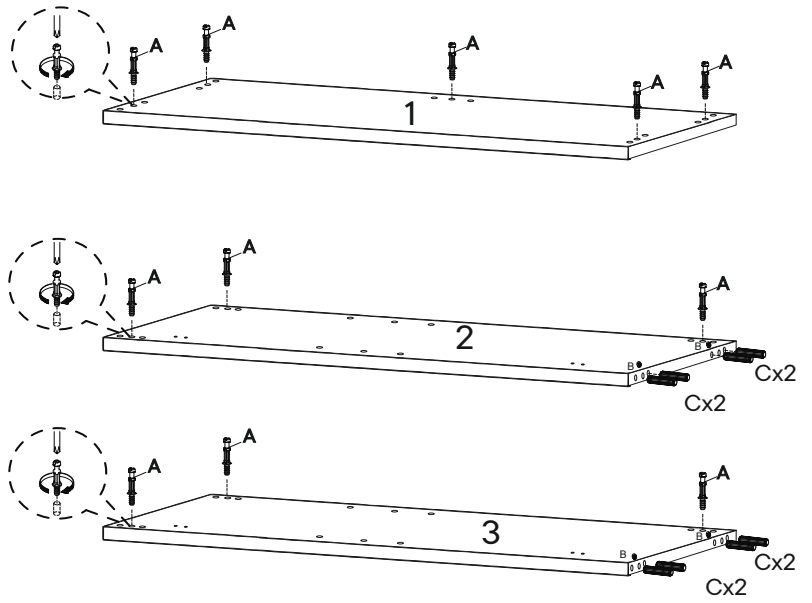
Step 1

HARDWARE

- A** Cam Bolt M6 x 35mm x11
- C** Wood Dowel M8 x 30mm x8

COMPONENTS

- 1** Bottom Panel x1
- 2** Left Side Panel x1
- 3** Right Side Panel x1



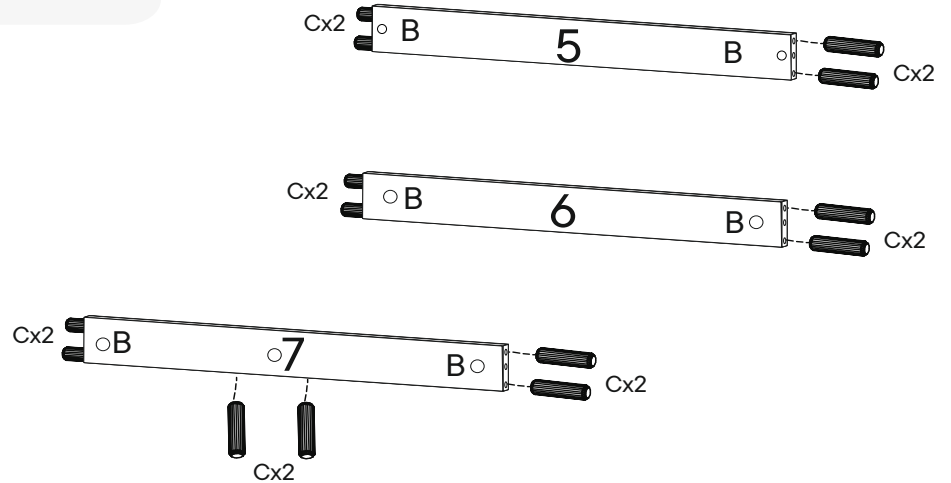
Step 2

HARDWARE

- C** Wood Dowel M8 x 30mm x14

COMPONENTS

- 5** Top Back Panel x1
- 6** Front Top Panel x1
- 7** Bottom Back Panel x1



Step 3

Hardware

B Cam Lock M15 x3

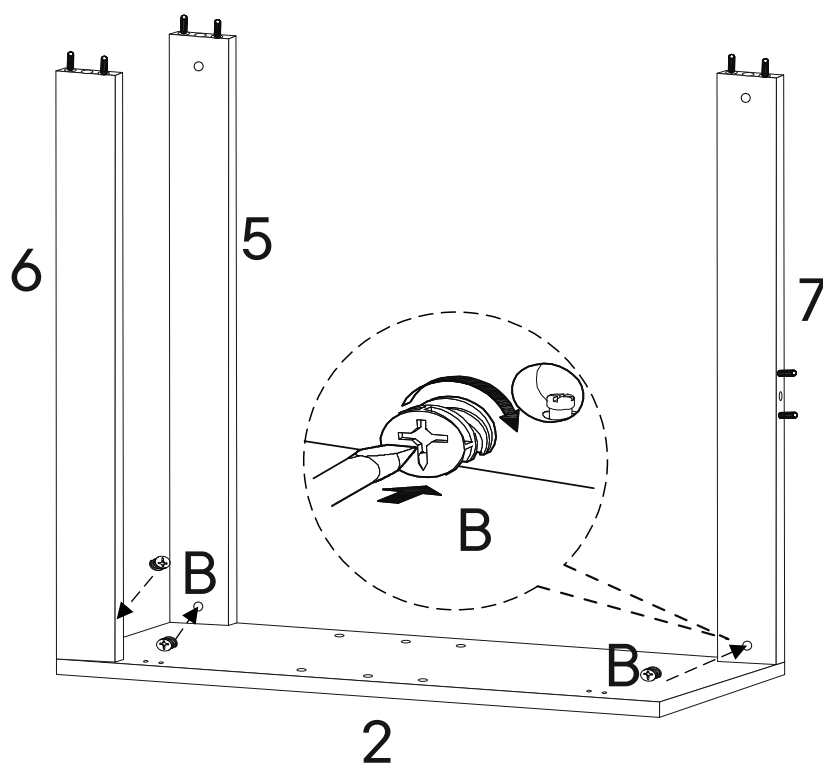
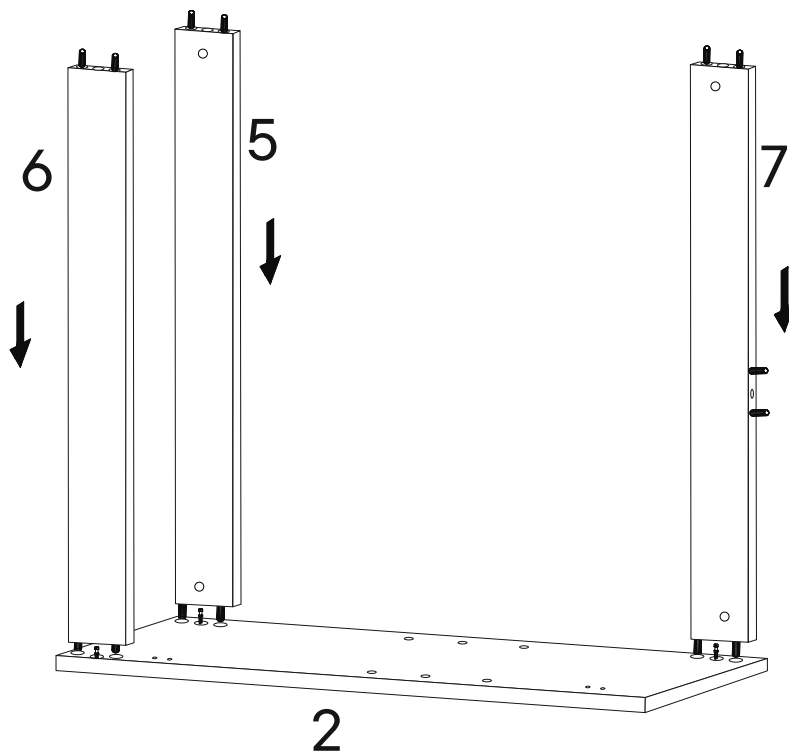
COMPONENTS

2 Right Side Panel x1

5 Top Back Panel x1

6 Front Top Panel x1

7 Bottom Back Panel x1



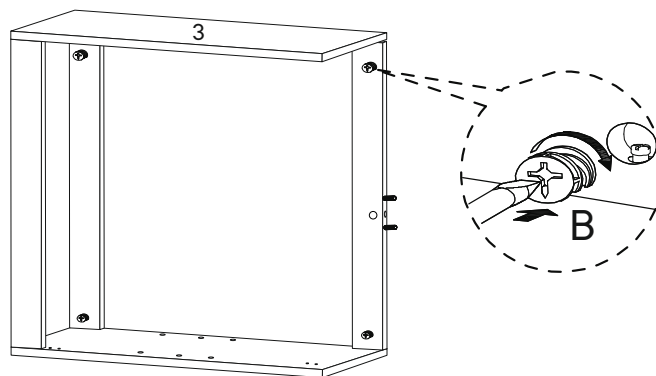
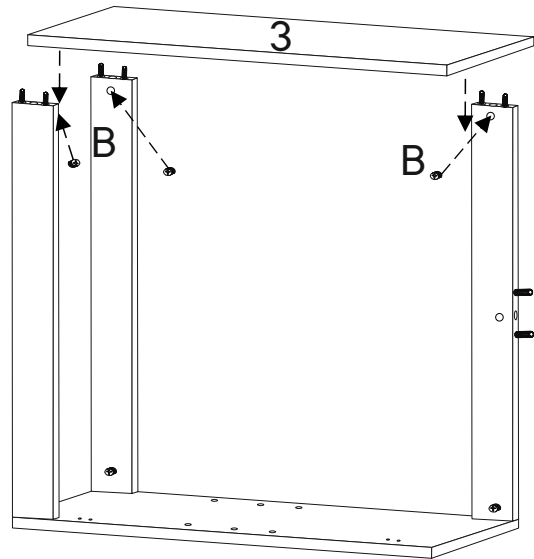
Step 4

HARDWARE

B Cam Lock M15 x3

COMPONENTS

3 Right Side Panel x1



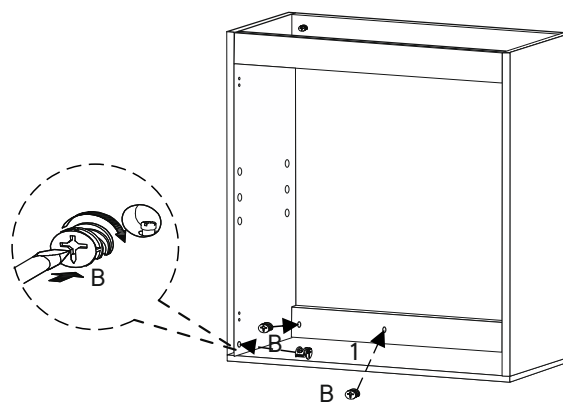
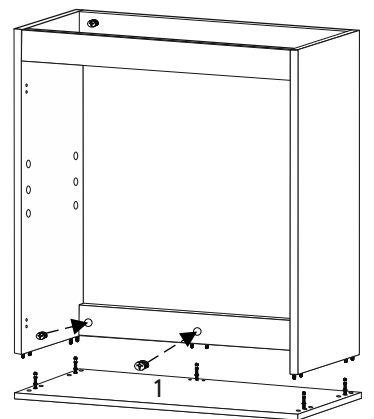
Step 5

HARDWARE

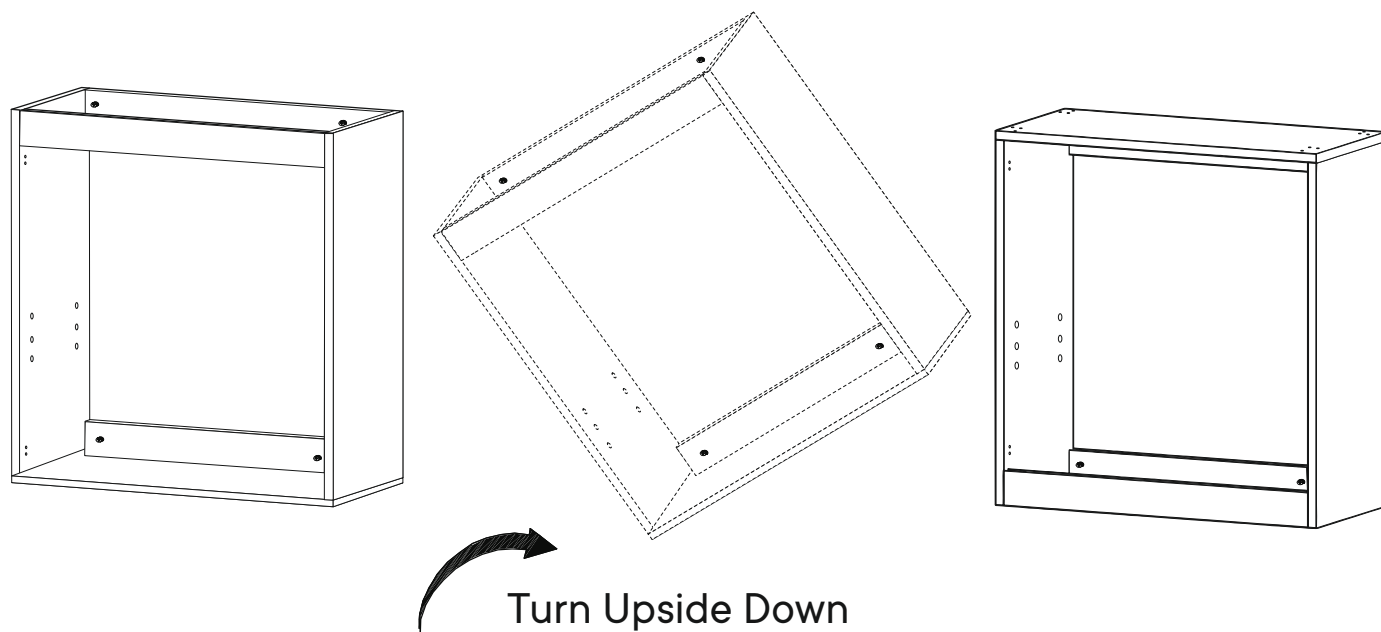
B Cam Lock M15 x5

COMPONENTS

1 Bottom Panel x1



Step 6



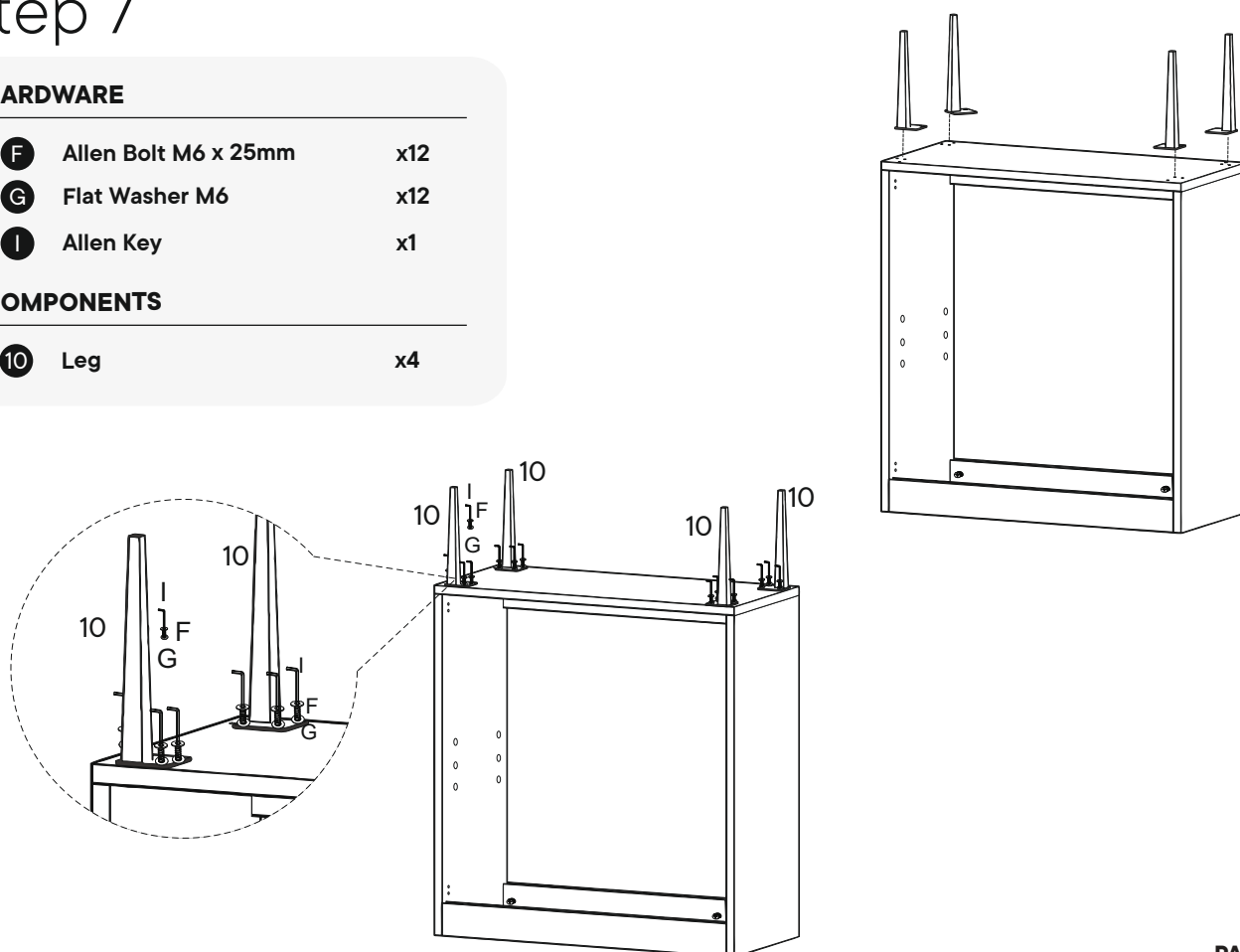
Step 7

HARDWARE

- F** Allen Bolt M6 x 25mm x12
- G** Flat Washer M6 x12
- I** Allen Key x1

COMPONENTS

- 10** Leg x4



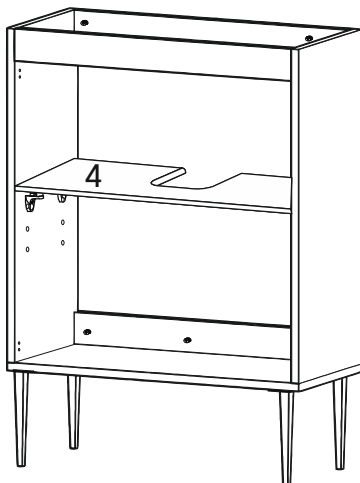
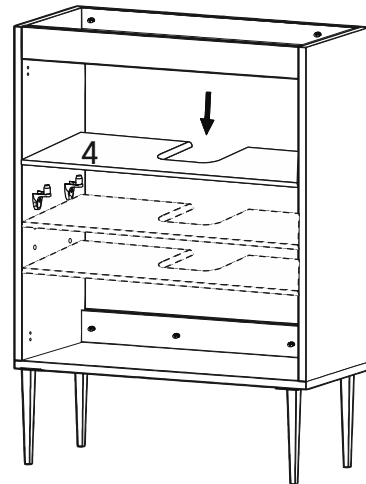
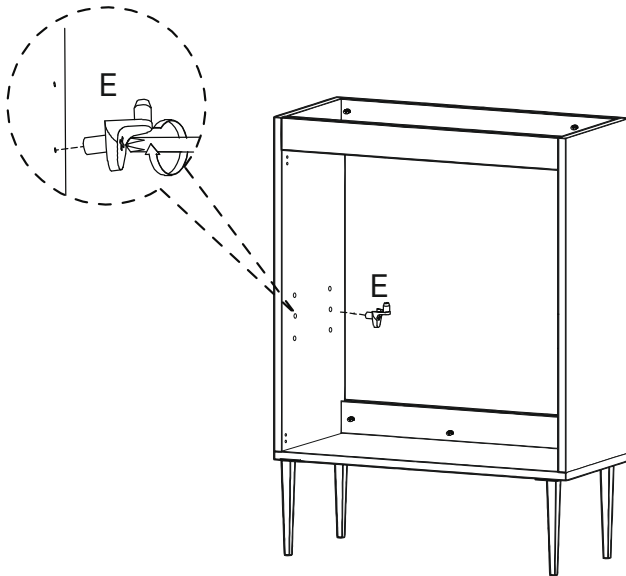
Step 8

HARDWARE

E Shelf Pin x4

COMPONENTS

4 Adjustable Shelf Panel x1



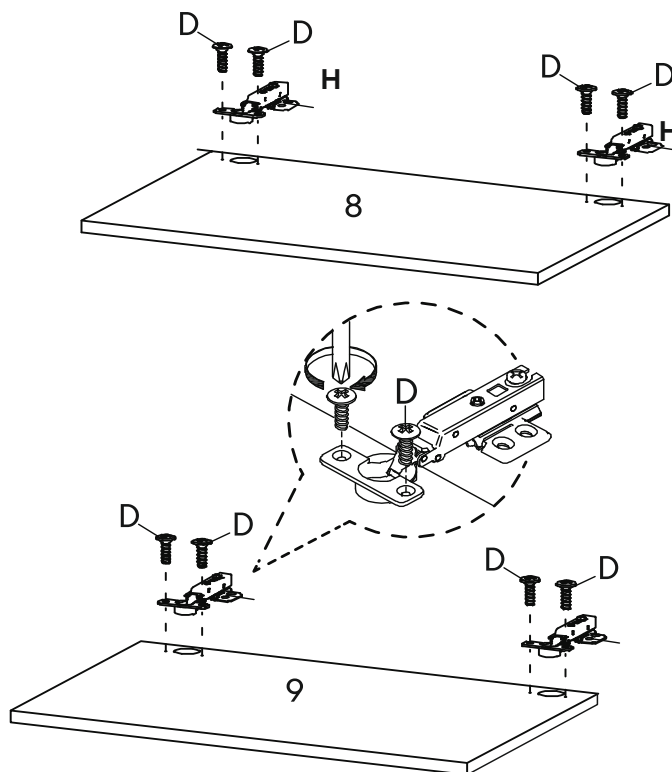
Step 9

HARDWARE

- D** Screw M4.5 x 16mm x8
- H** Hinge x4

COMPONENTS

- 8** Left Door Panel x1
- 9** Right Door Panel x1



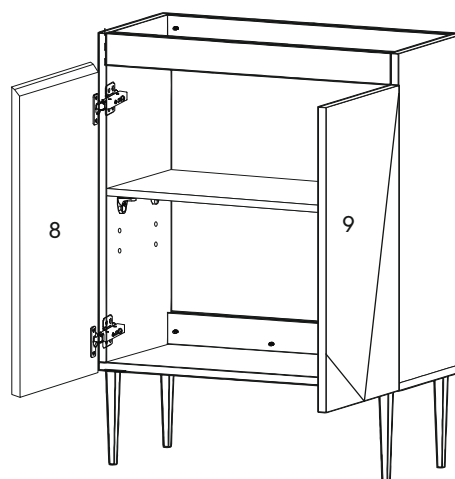
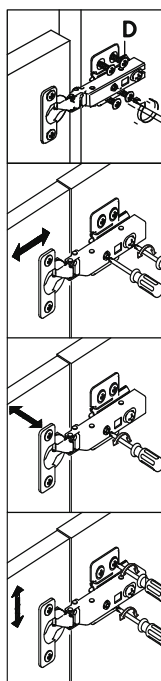
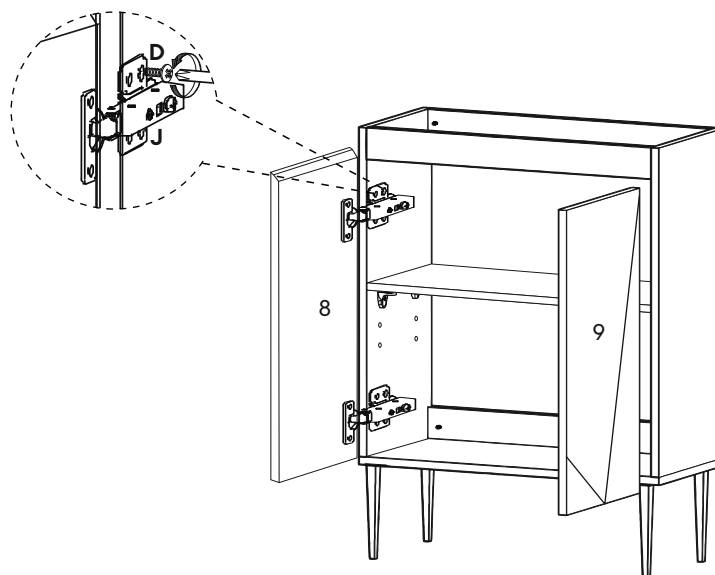
Step 10

HARDWARE

- D** Screw M4.5 x 16mm x16
- H** Hinge x4

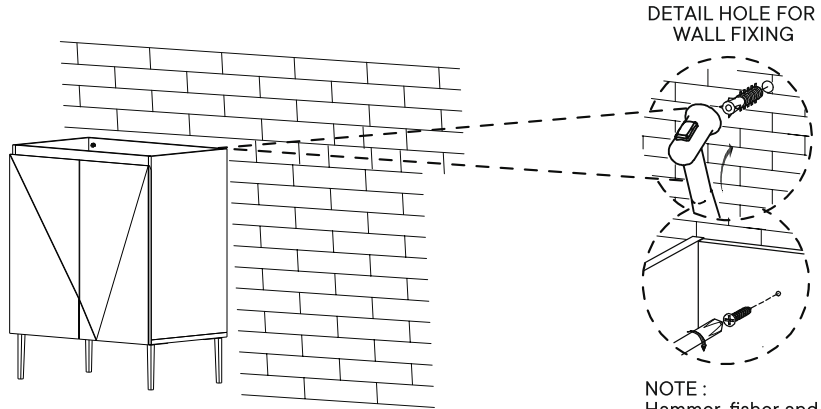
COMPONENTS

- 8** Left Door Panel x1
- 9** Right Door Panel x1



Step 11

Attachment of Furniture: This furniture may represent a danger for your security if its attachment on the wall has been done in an incorrect way. This attachment must be done by a person with great expertise who will make sure adequacy between the device of fixing and the wall. Please source the right fitting according to the wall type. For safety, it is imperative to fix your furniture to the wall.

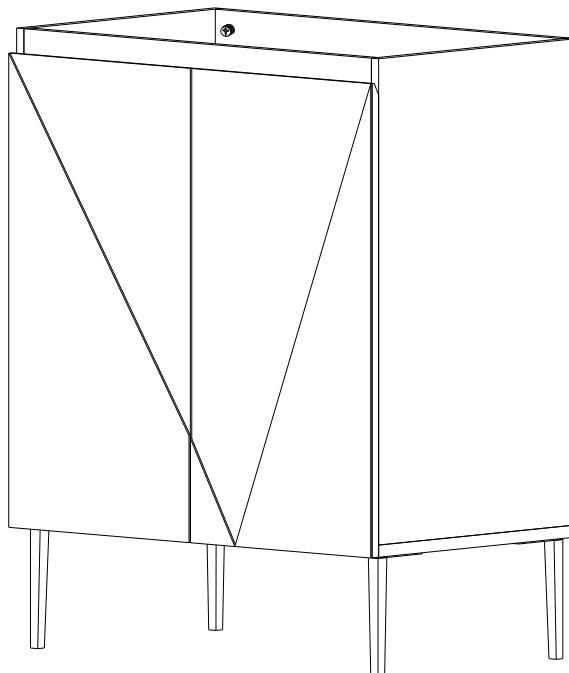


DETAIL HOLE FOR WALL FIXING

NOTE :
Hammer, fisher and screw not included

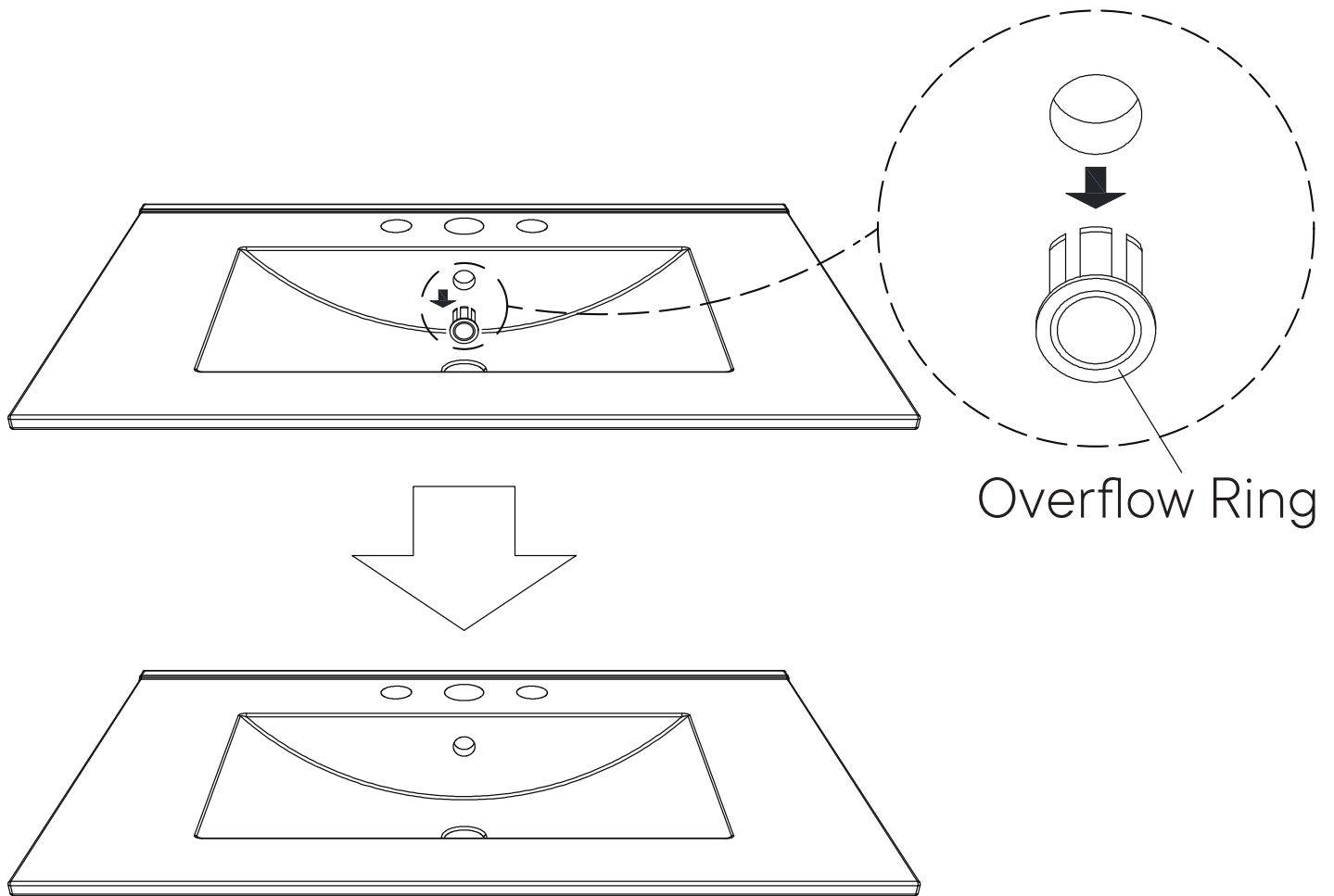
Step 12

SOLD SEPARATELY



A quick note...

Your sink basin comes complete with a silver overflow ring.
If you'd like to remove this overflow ring, you can do so by hand.



Overflow Ring

Wait!

Missing parts or hardware? Need assistance?

Contact us before returning your item. We're here to help!

609.256.9000 • cs@modway.com

Great job!

Vanity Cabinet assembly is complete.

♥ CARING FOR YOUR ITEM

Indoor use only.

Not contract grade.

Clean using a non-abrasive cloth and a mild cleaner.

Never use harsh chemicals, as they could damage the finish or integrity of the item.

CONNECT WITH US!   

Tag us [@modway_furniture](#) and [#modway](#) for a chance to be featured.

