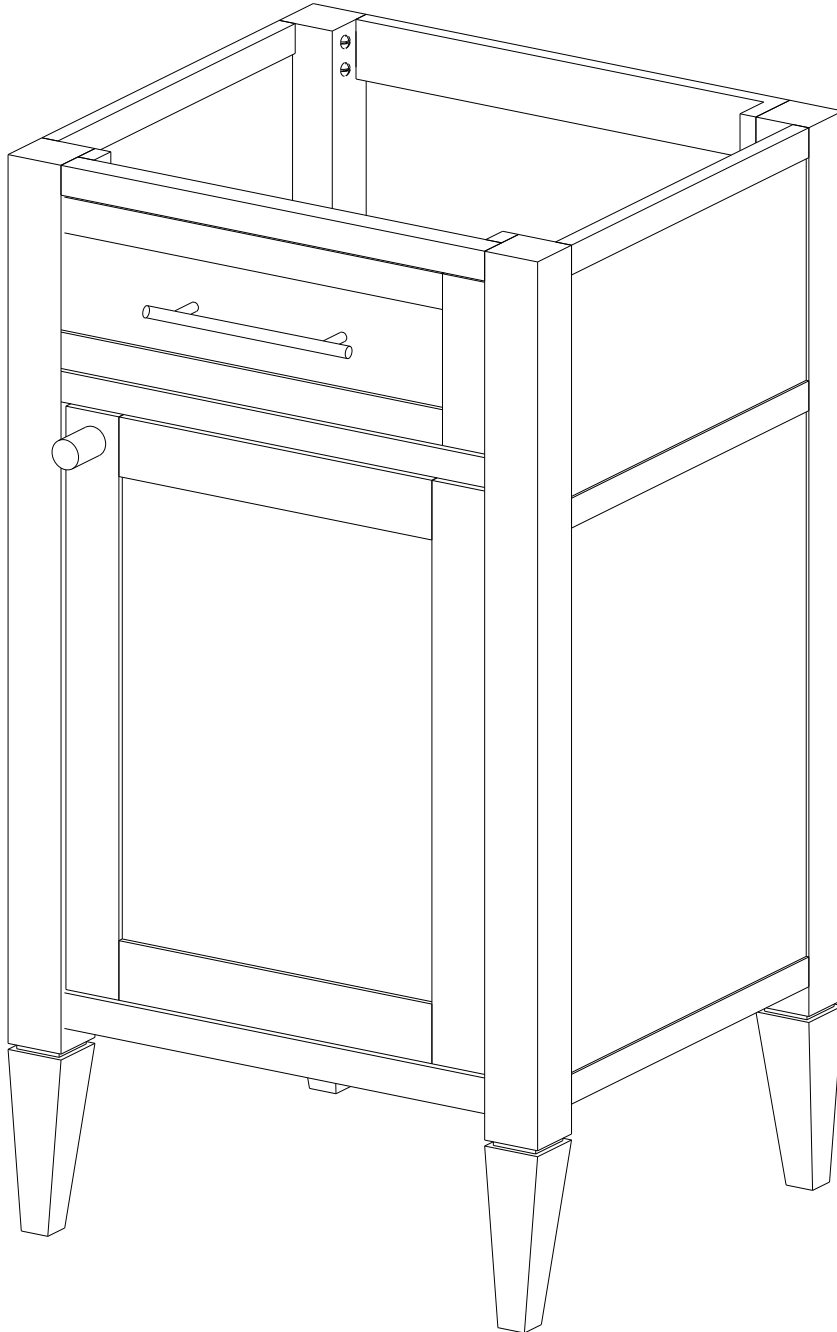


# ASSEMBLY INSTRUCTIONS

# EEI-6136

V1.22.12.22



**Questions? Contact us!**

609.256.9000 • [cs@modway.com](mailto:cs@modway.com)  
[www.modway.com](http://www.modway.com)

\*modway

# Let's get started!

\*modway



Read through all of the instructions before starting



Care instructions are listed in the last step of this manual



Approx. 60 minutes assembly time



Make sure you have all parts and components before discarding any packing materials



2 people recommended for assembly

**Only use hand tools to assemble this item.** Do not use power tools. Do not tighten bolts or screws completely until all hardware is lined up and inserted into the holes.

Do not over-tighten screws and bolts to avoid stripping the hardware or cracking the item.

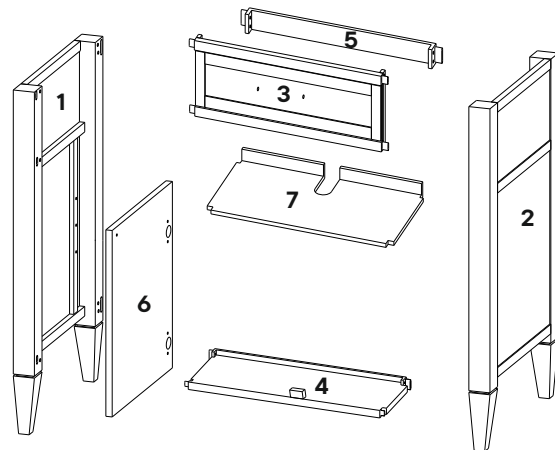
For vanity and plumbing installation, we suggest hiring a professional contractor and plumber.

Assemble your item on a flat, carpeted area, with plenty of space to work. This will prevent damage and scratches to your floors or the item while you're assembling the product.

Keep all components and packaging out of reach of children or animals to avoid risk of choking or suffocation.

## Furniture components:

1	Left Panel	x1
2	Right Panel	x1
3	Front Panel	x1
4	Bottom Panel	x1
5	Back Panel	x1
6	Door Panel	x1
7	Adjustable Shelf	x1



## Provided hardware:

A		Bolt M8 x 30mm	x14	I		Screw M4 x 30mm	x1
B		Flat Washer M8	x14	J		Screw M4 x 15mm	x2
C		Allen Key	x1	<b>What you need:</b>			
D		Screw M4 x 16mm	x12		Phillips Head Screwdriver		
E		Shelf Pin	x4				
F		Hinge	x2				
G		Handle	x1				
H		Knob	x1				

## You may also need:

- + Power Drill
- + Level
- + Silicone Adhesive or Caulk
- + Drywall Anchors and Screws
- + Other Wall-Mounting Hardware

**Wait!**

Missing parts or hardware? Need assistance?  
Contact us before returning your item. We're here to help!  
609.256.9000 • cs@modway.com

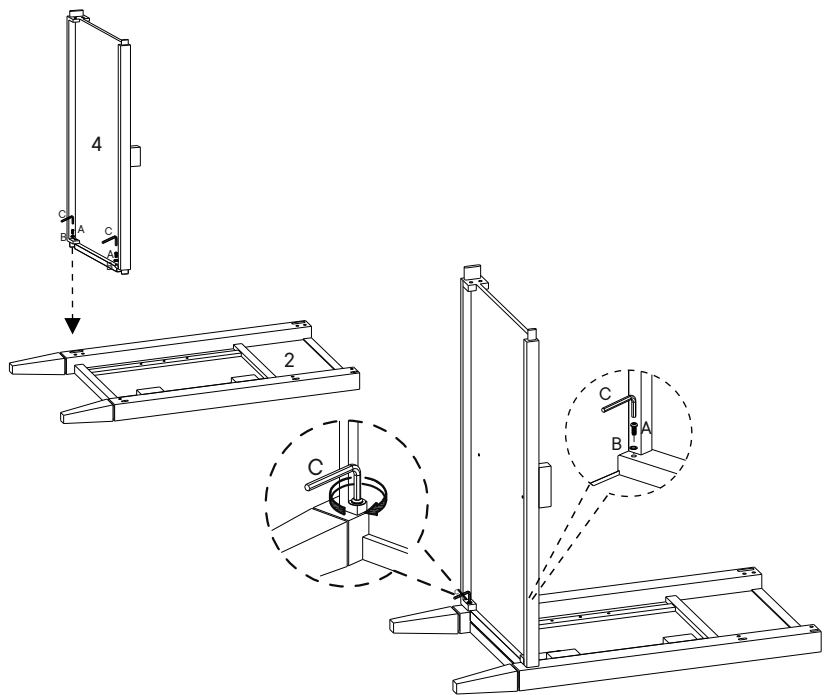
# Step 1

## HARDWARE

- A** Bolt M8 x 30mm x 3
- B** Flat Washer M8 x 3
- C** Allen Key x 1

## COMPONENTS

- 2** Right Panel x 1
- 4** Bottom Panel x 1



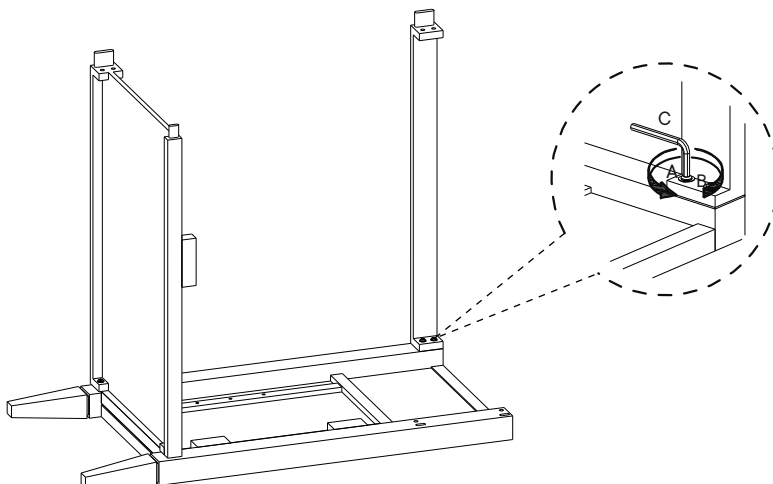
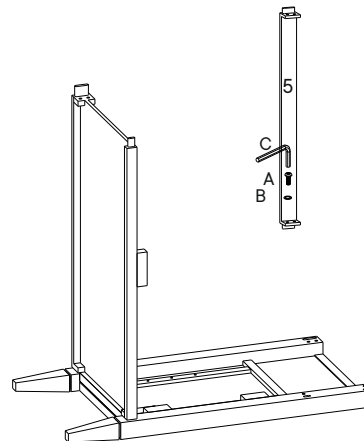
# Step 2

## HARDWARE

- A** Bolt M8 x 30mm x 2
- B** Flat Washer M8 x 2
- C** Allen Key x 1

## COMPONENTS

- 5** Back Panel x 1



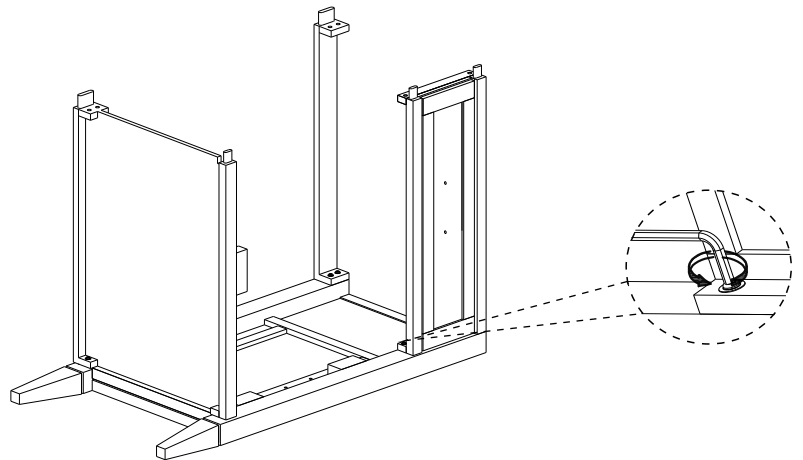
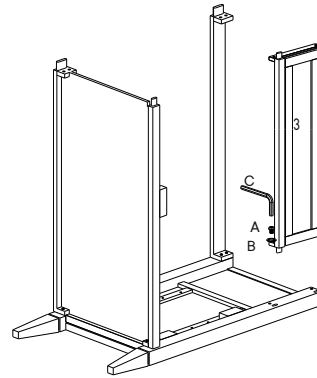
# Step 3

## HARDWARE

- A** Bolt M8 x 30mm x2
- B** Flat Washer M8 x2
- C** Allen Key x1

## COMPONENTS

- 3** Front Panel x1



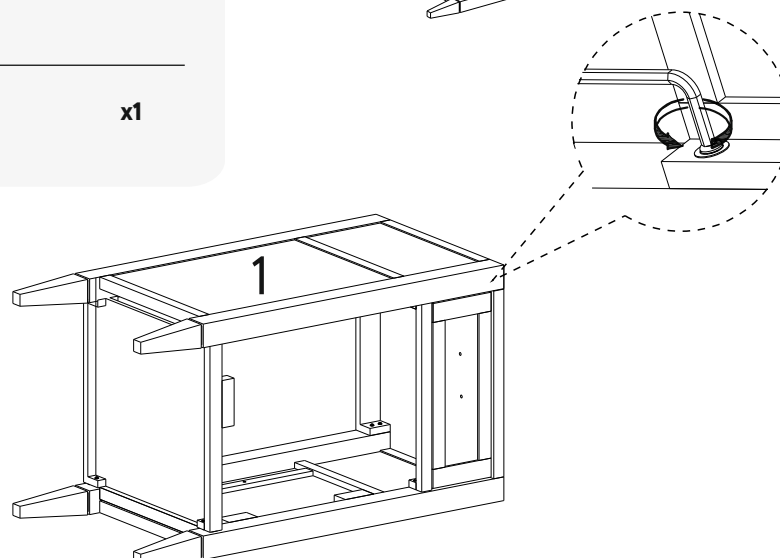
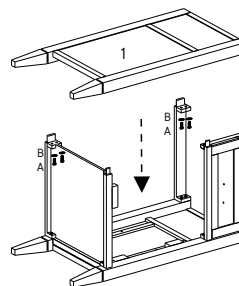
# Step 4

## HARDWARE

- A** Bolt M8 x 30mm x7
- B** Flat Washer M8 x7
- C** Allen Key x1

## COMPONENTS

- 1** Left Panel x1



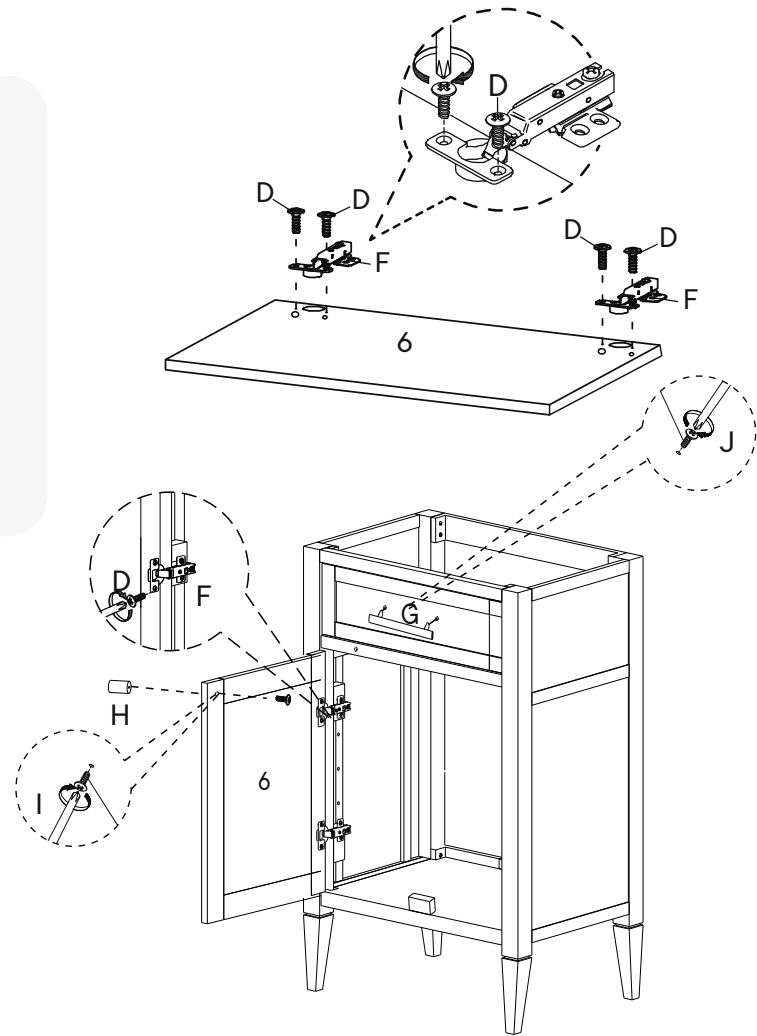
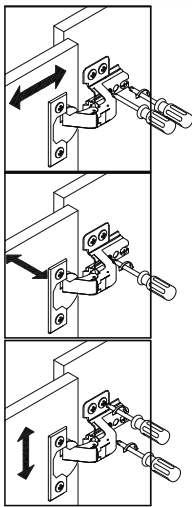
# Step 5

## HARDWARE

<b>D</b>	Screw M4 x 16mm	x12
<b>F</b>	Hinge	x2
<b>G</b>	Handle	x1
<b>H</b>	Knob	x1
<b>I</b>	Screw M4 x 30mm	x1
<b>J</b>	Screw M4 x 15mm	x2

## COMPONENTS

<b>6</b>	Door Panel	x1
----------	------------	----



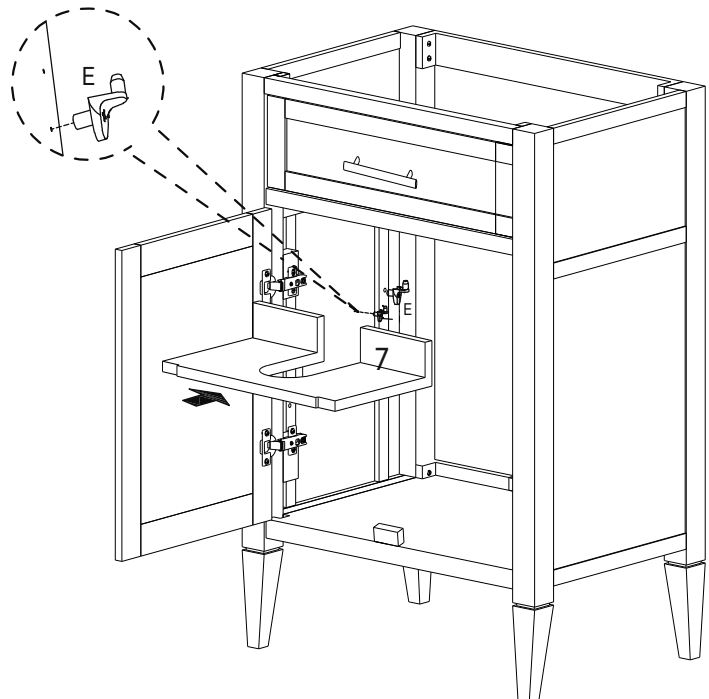
# Step 6

## HARDWARE

<b>E</b>	Shelf Pin	x4
----------	-----------	----

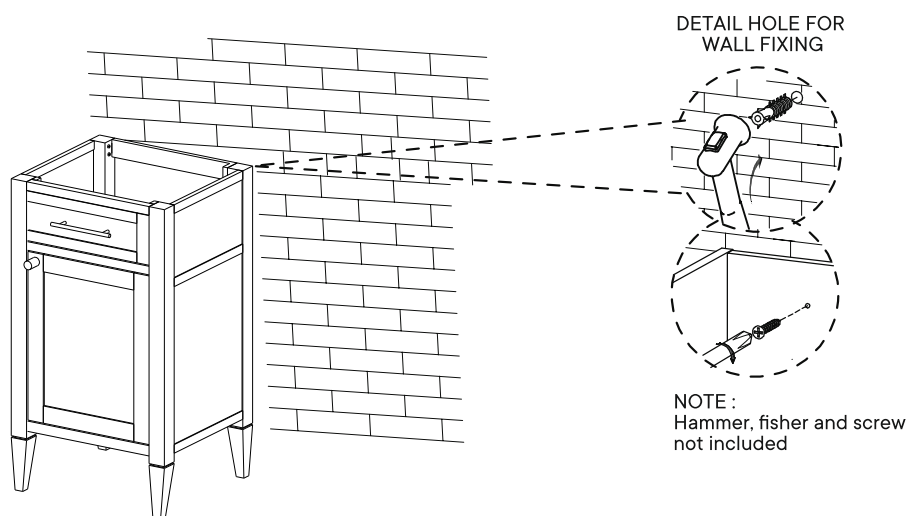
## COMPONENTS

<b>7</b>	Adjustable Shelf	x1
----------	------------------	----



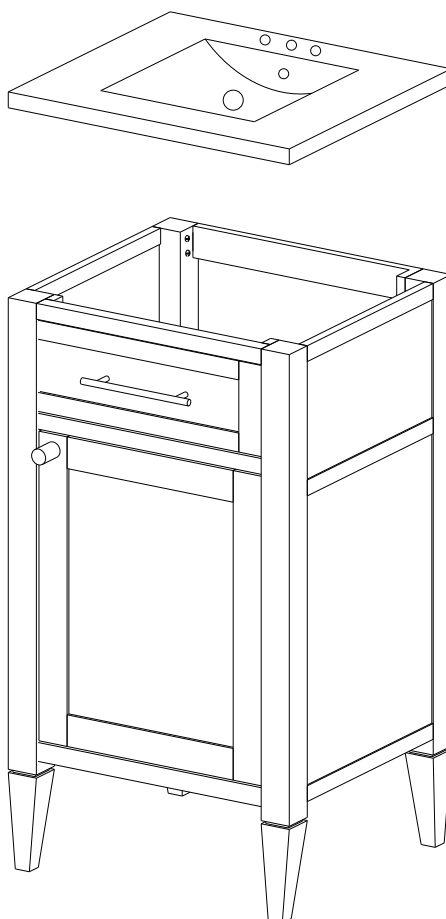
## Step 7

**Attachment of Furniture:** This furniture may represent a danger for your security if its attachment on the wall has been done in an incorrect way. This attachment must be done by a person with great expertise who will make sure adequacy between the device of fixing and the wall. Please source the right fitting according to the wall type. For safety, it is imperative to fix your furniture to the wall.



## Step 8

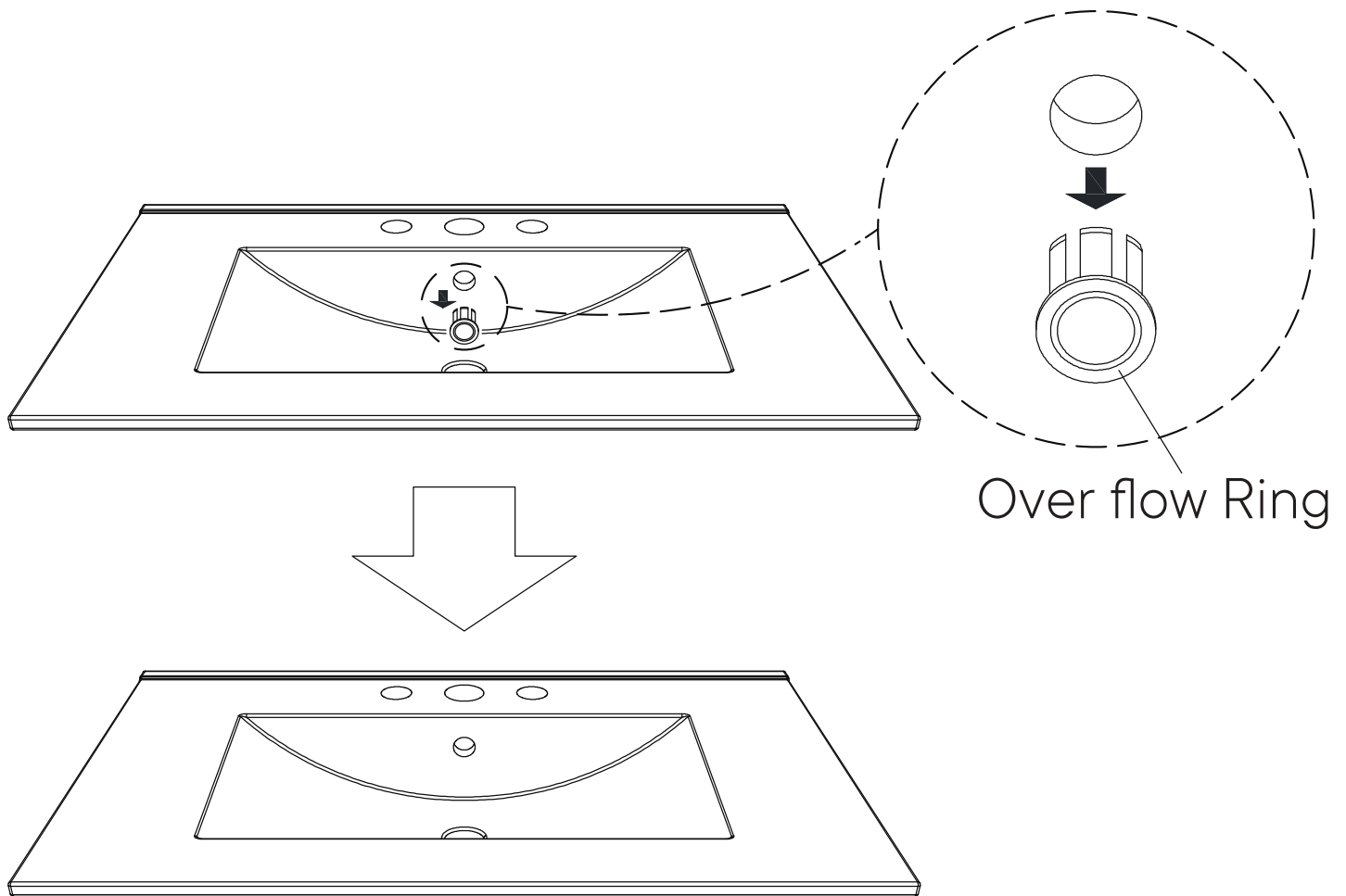
SOLD SEPARATELY



# A quick note...

\*modway

Your sink basin comes complete with a silver overflow ring.  
If you'd like to remove this overflow ring, you can do so by hand.



Over flow Ring

**Wait!**

**Missing parts or hardware? Need assistance?**

Contact us before returning your item. We're here to help!

609.256.9000 • [cs@modway.com](mailto:cs@modway.com)

# Great job!

Vanity Cabinet assembly is complete.

## ♥ CARING FOR YOUR ITEM

Indoor use only.

Not contract grade.

Clean using a non-abrasive cloth and a mild cleaner.

Never use harsh chemicals, as they could damage the finish or integrity of the item.

**CONNECT WITH US!**   

Tag us **@modway\_furniture** and **#modway** for a chance to be featured.

