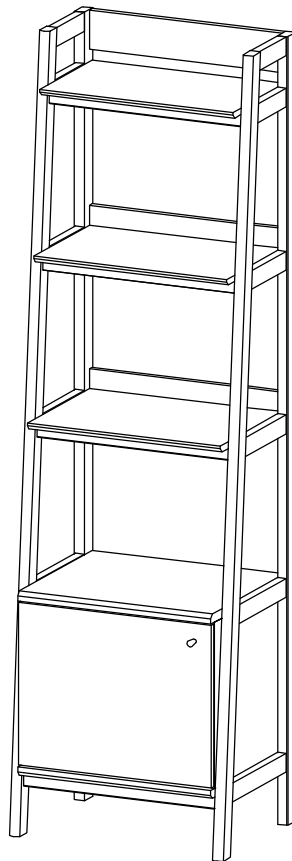


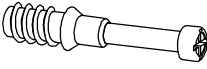

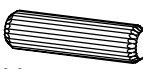
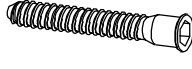

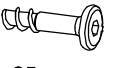
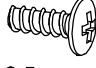






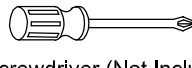
Thank you for purchasing the **MODWAY BOOKCASE** !

Before you start, here are some helpful advice:

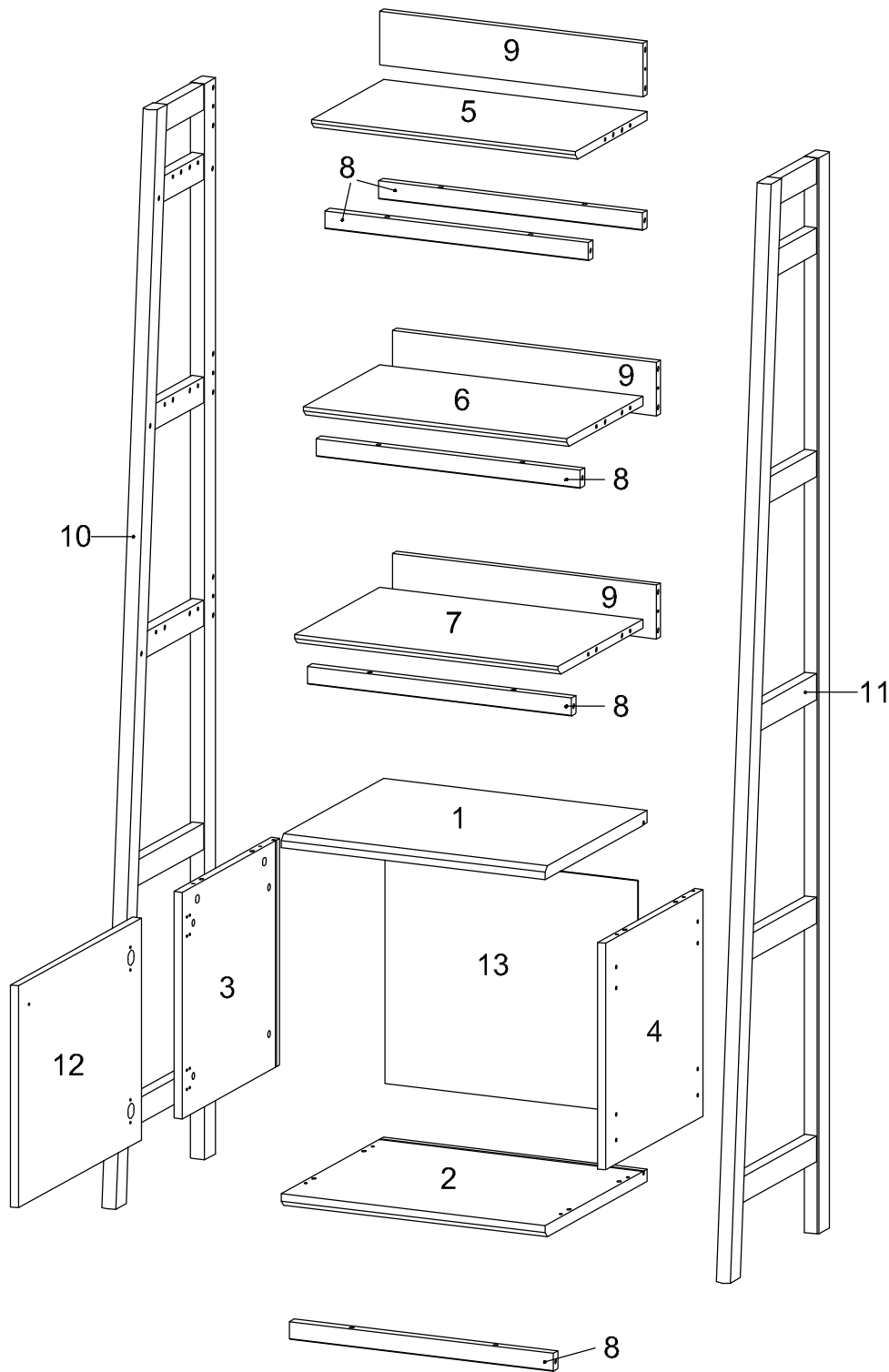
1. We suggest you spend a short time reading through this leaflet and then follow the simple step-by-step instructions.
2. Owing to the size and weight of the Bookcase, we recommend that it is assembled by two adults, on a carpeted or padded area, in the room that it is intended for. Approximate assembly time: 60 minutes.
3. Please do not use any tools other than those Provided or recommended in these instructions.
4. Please do not throw away any of the packaging or instructions until you have checked all the components and hardware and the furniture is fully assembled.
5. Assemble all components loosely until advised to tighten. Depending on use, it may be necessary to tighten the components from time to time, so please save the tools that have been provided.
6. Please keep all pieces out of reach of children.



### Hardware :

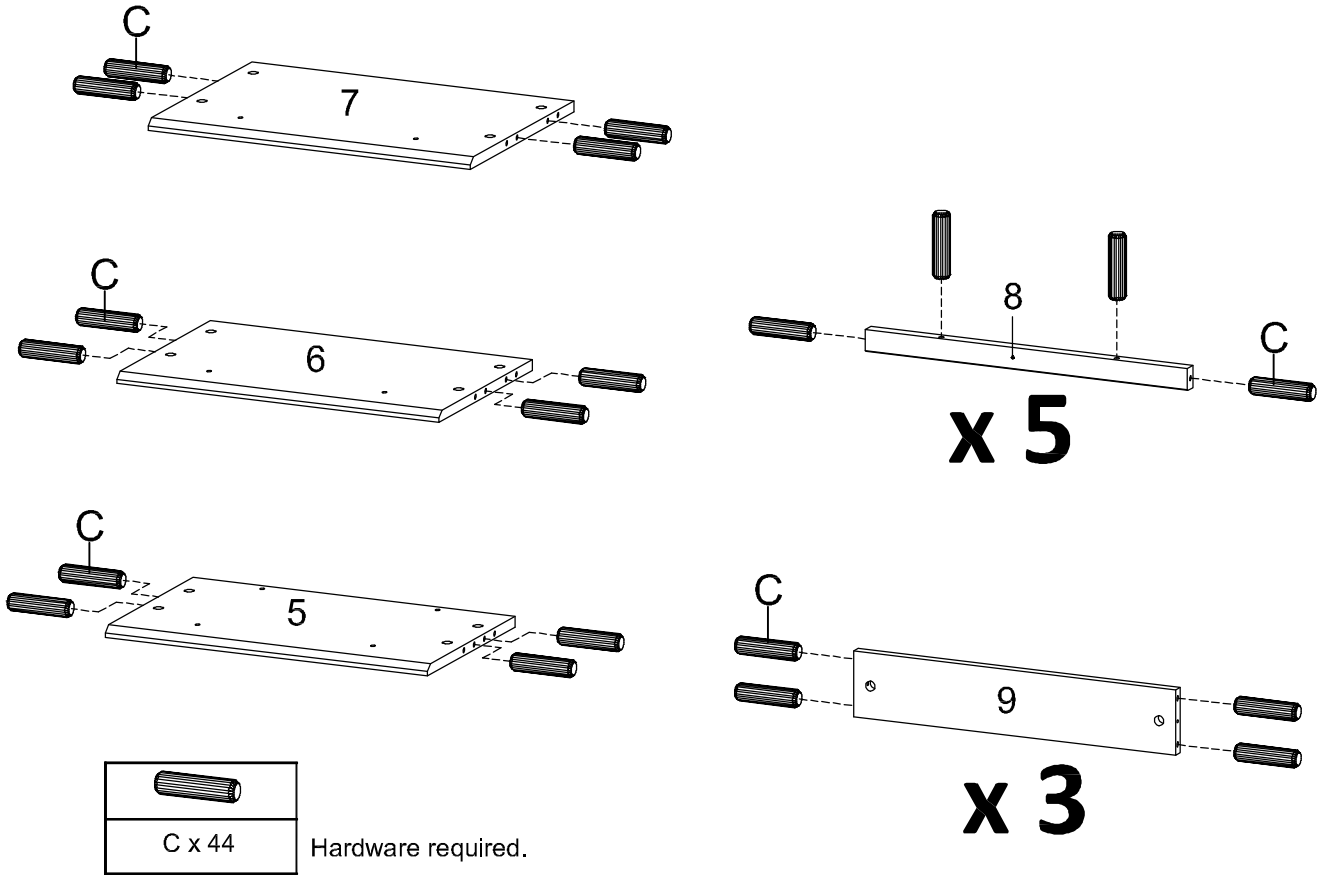
<b>A)</b> Cambolt /Metal  $\varnothing$ 6 x 35 mm x 22	<b>B)</b> CamLock /Metal  $\varnothing$ 15 mm x 22	<b>C)</b> Dowel /Wood  $\varnothing$ 8x30 mm x 60	<b>D)</b> Screw/Metal  M 7 x 50 mm x 4	<b>E)</b> Hex/Allen Key/Metal  L 4 x 1
<b>F)</b> Screw/Metal  M 6.4 x 25 mm x 8	<b>G)</b> Screw/Metal  M 4.5 x 12.5 mm x 12	<b>H)</b> Hinge set/Metal  x 2	<b>I)</b> Handle/Metal  x 1	<b>J)</b> Screw/Metal  M 4 x 22 mm x 1
<b>K)</b> Wedge/Plastic  x 4	<b>L)</b> Screw/Metal  M 3.5 x 15.5 mm x 4	<b>M)</b> Floor Protector/Sponge/Felt  25 x 25 x 2 mm x 4	<b>N)</b> Screwdriver (Not Include)  x 1	

Components:

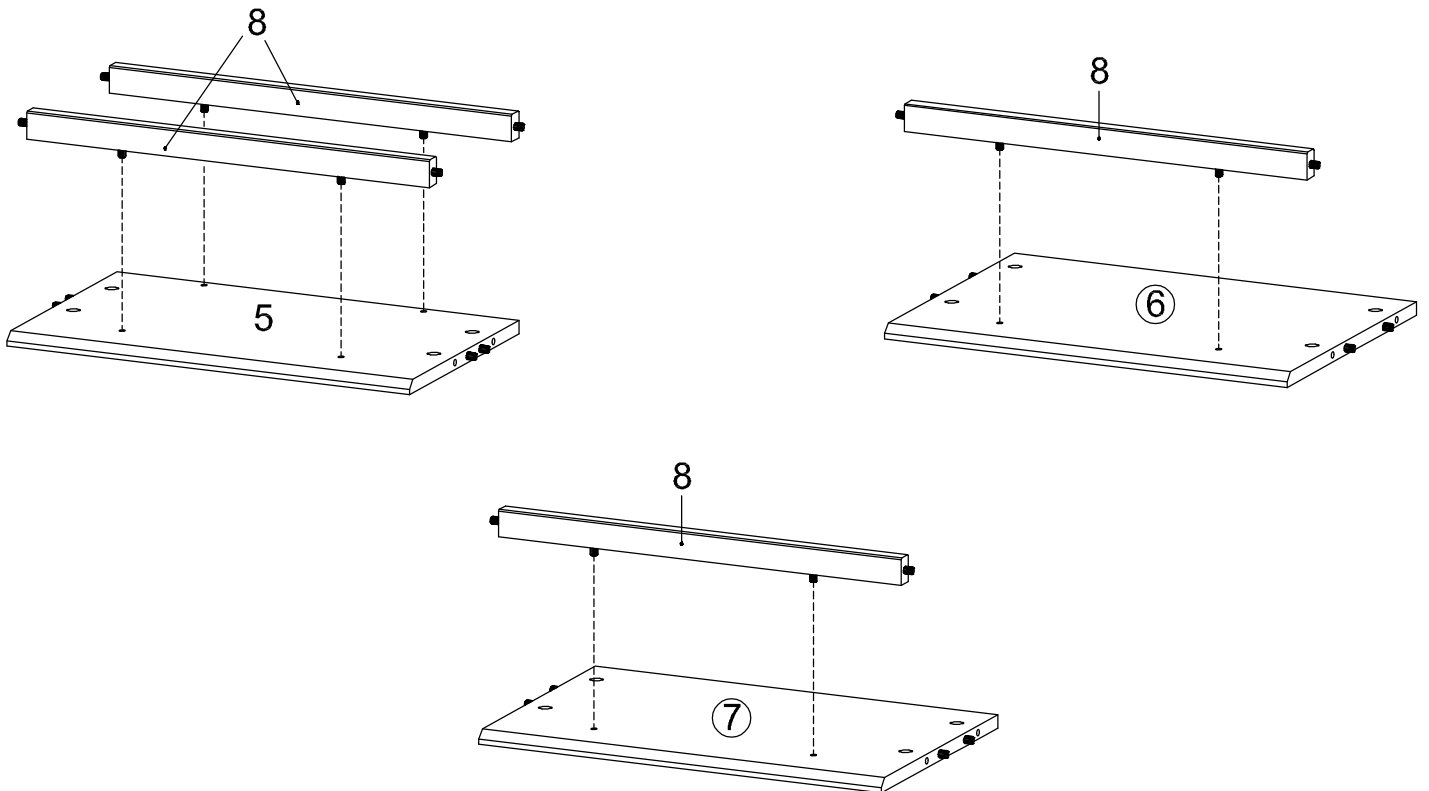


1 Top Board	x1	2 Bottom Board	x1	3 Side Board Left	x1	4 Side Board Right	x1
5 Fixed Shelf 1	x1	6 Fixed Shelf 2	x1	7 Fixed Shelf 3	x1	8 Support Board 1	x5
9 Support Board 2	x3	10 Side Panel Left	x1	11 Side Panel Right	x1	12 Door	x1
13 Back Board	x1						

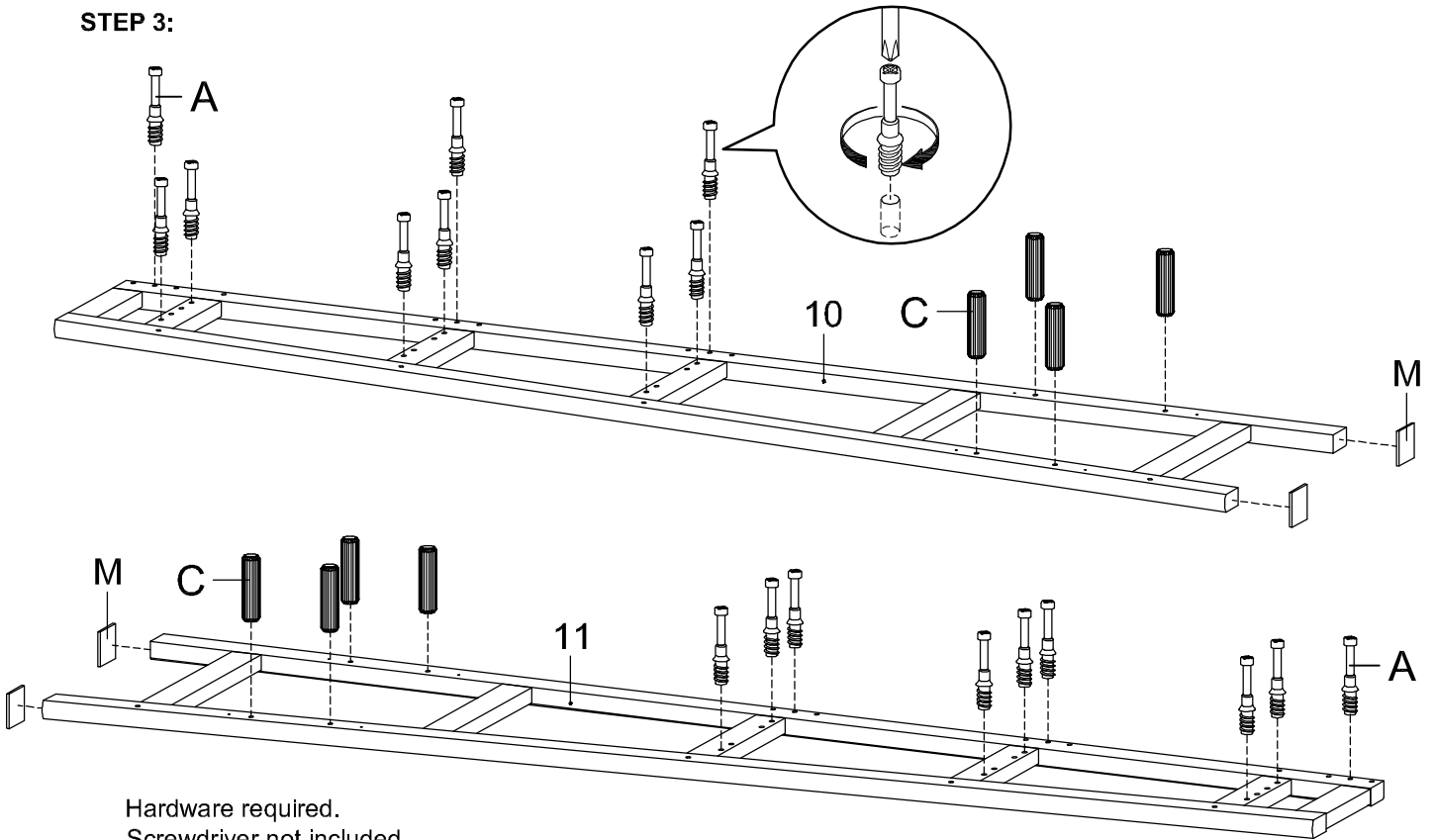
STEP 1:



STEP 2:



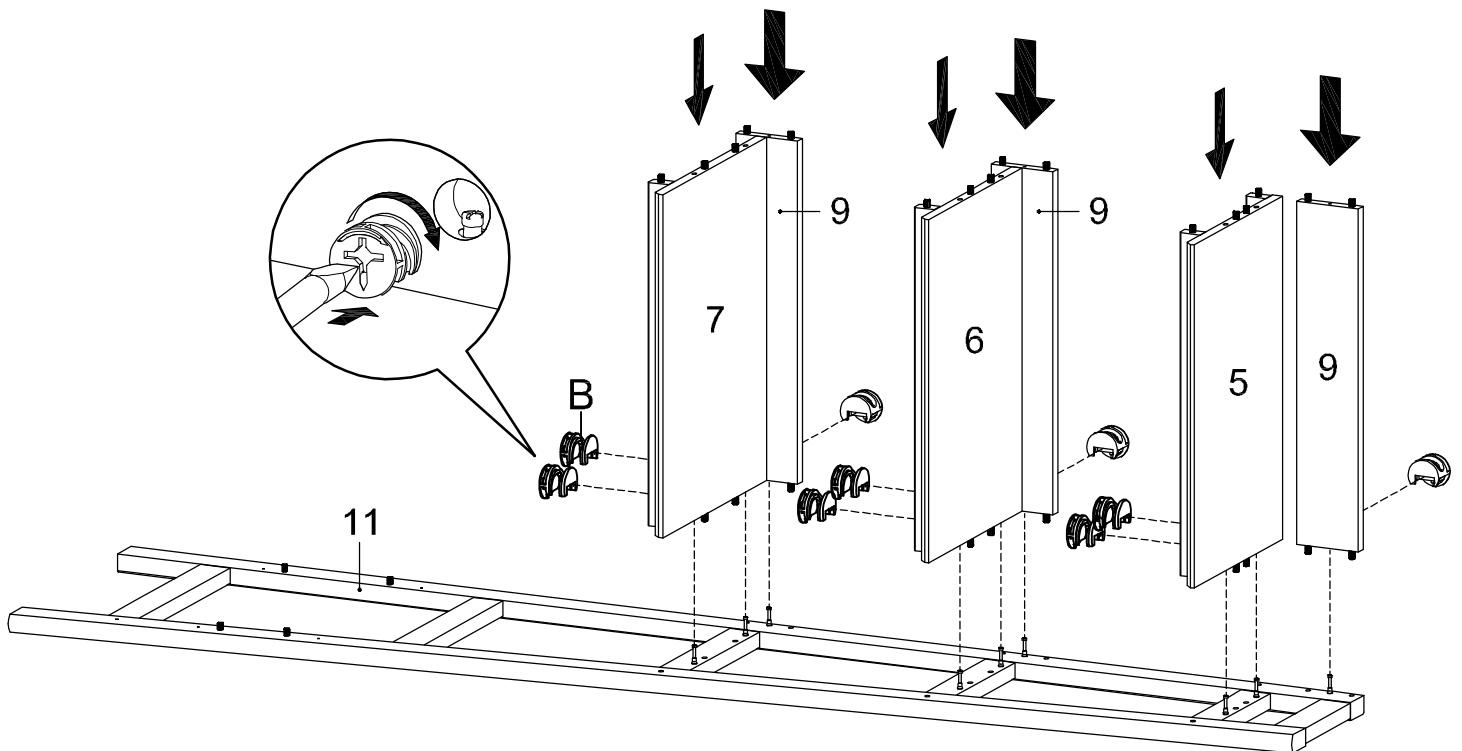
STEP 3:



Hardware required.  
Screwdriver not included

A x 18	C x 8	M x 4	N x 1

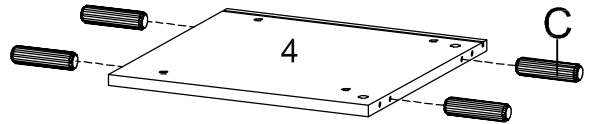
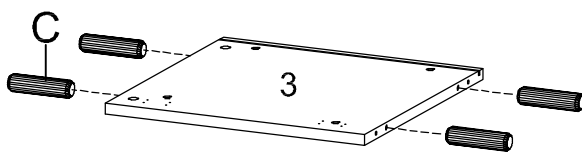
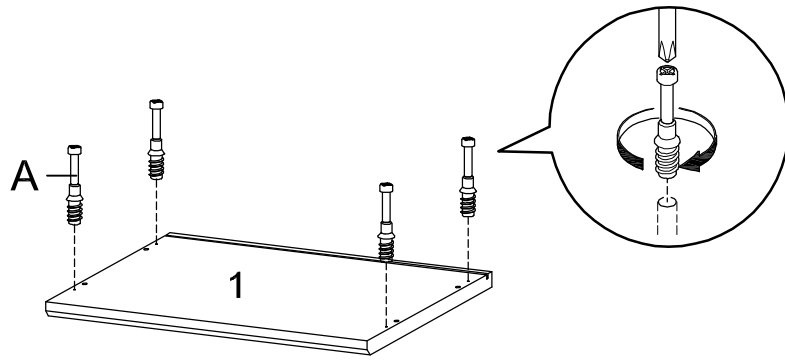
STEP 4:



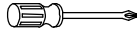


B x 9	N x 1

Hardware required.  
Screwdriver not included

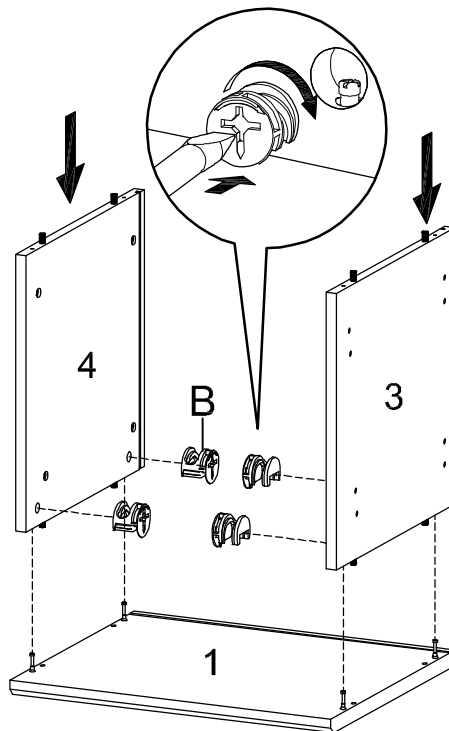
STEP 5:


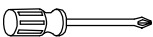


		
A x 4	C x 8	N x 1

Hardware required.  
Screwdriver not included

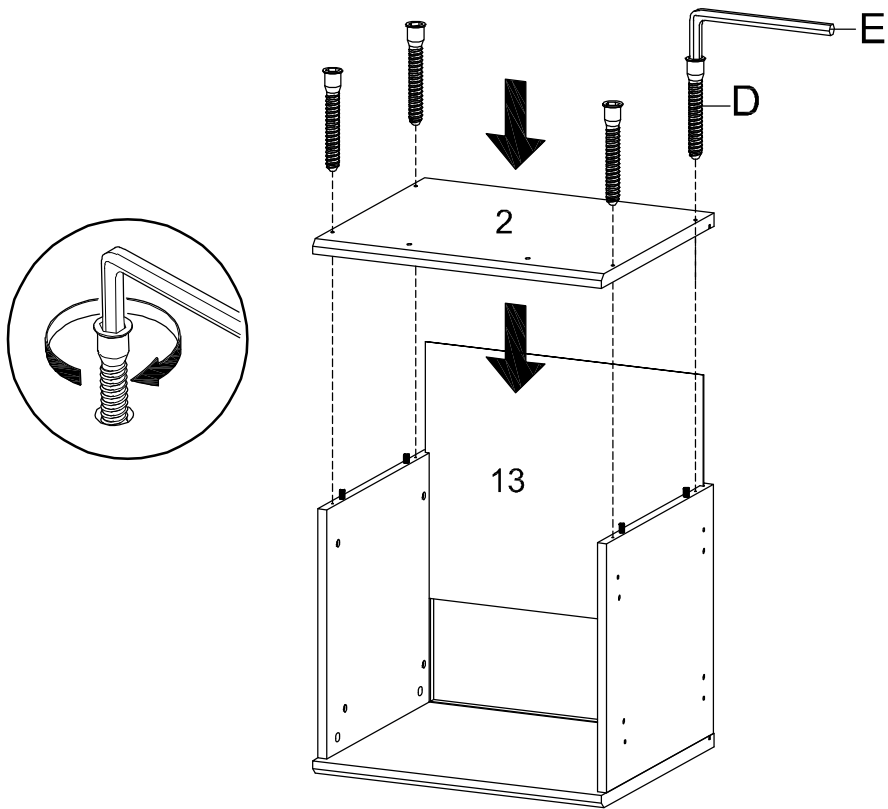
STEP 6:





	
B x 4	N x 1

Hardware required.  
Screwdriver not included

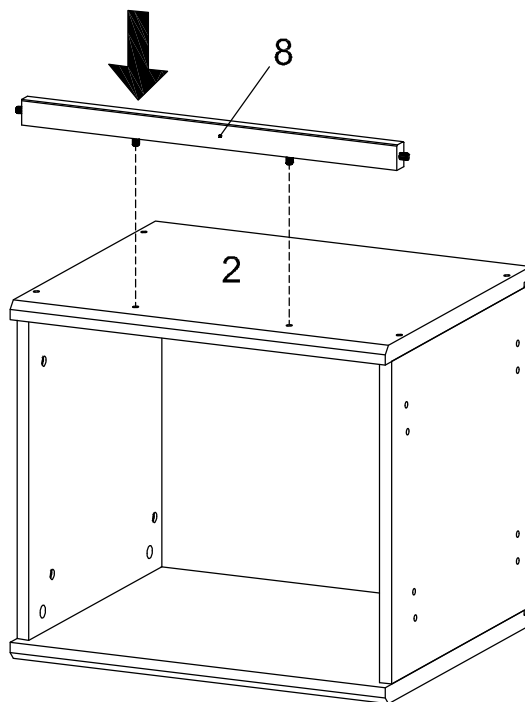
STEP 7:



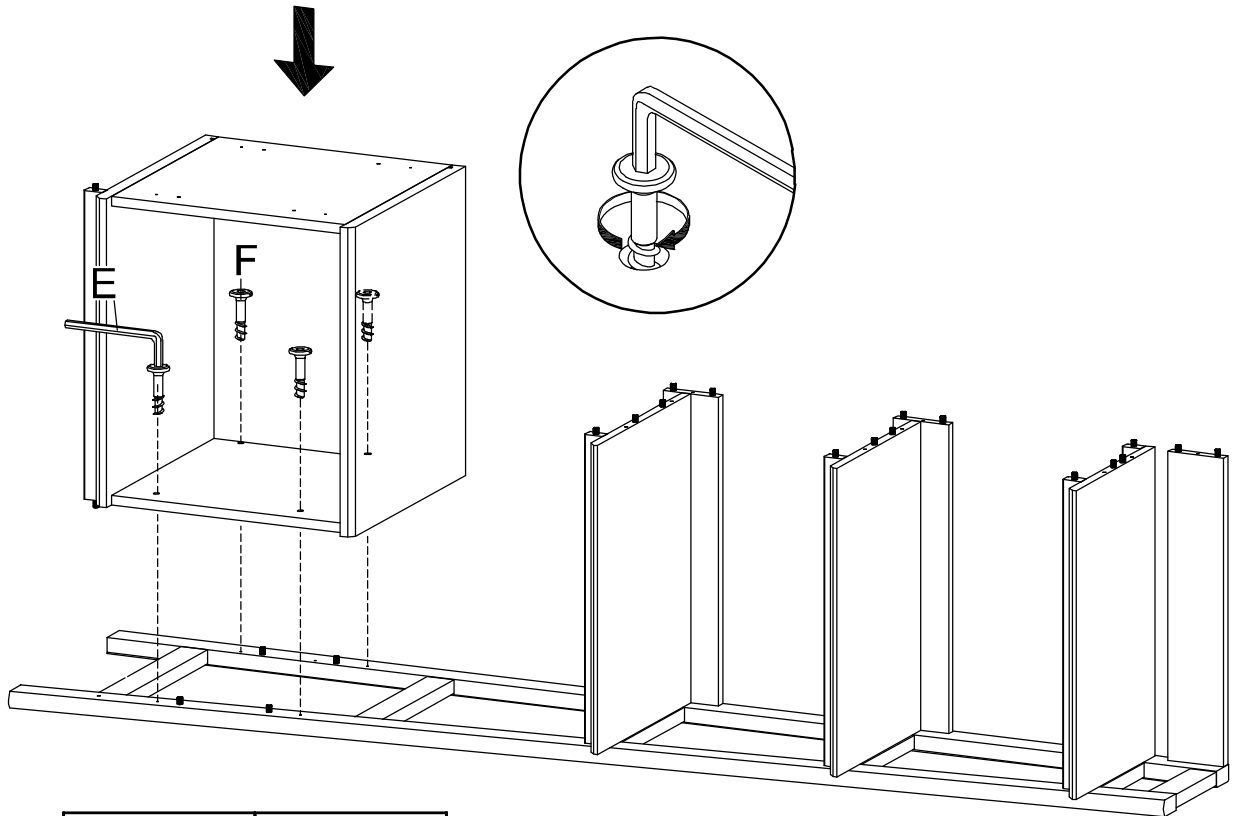
	
D x 4	E x 1



Hardware required.

STEP 8:



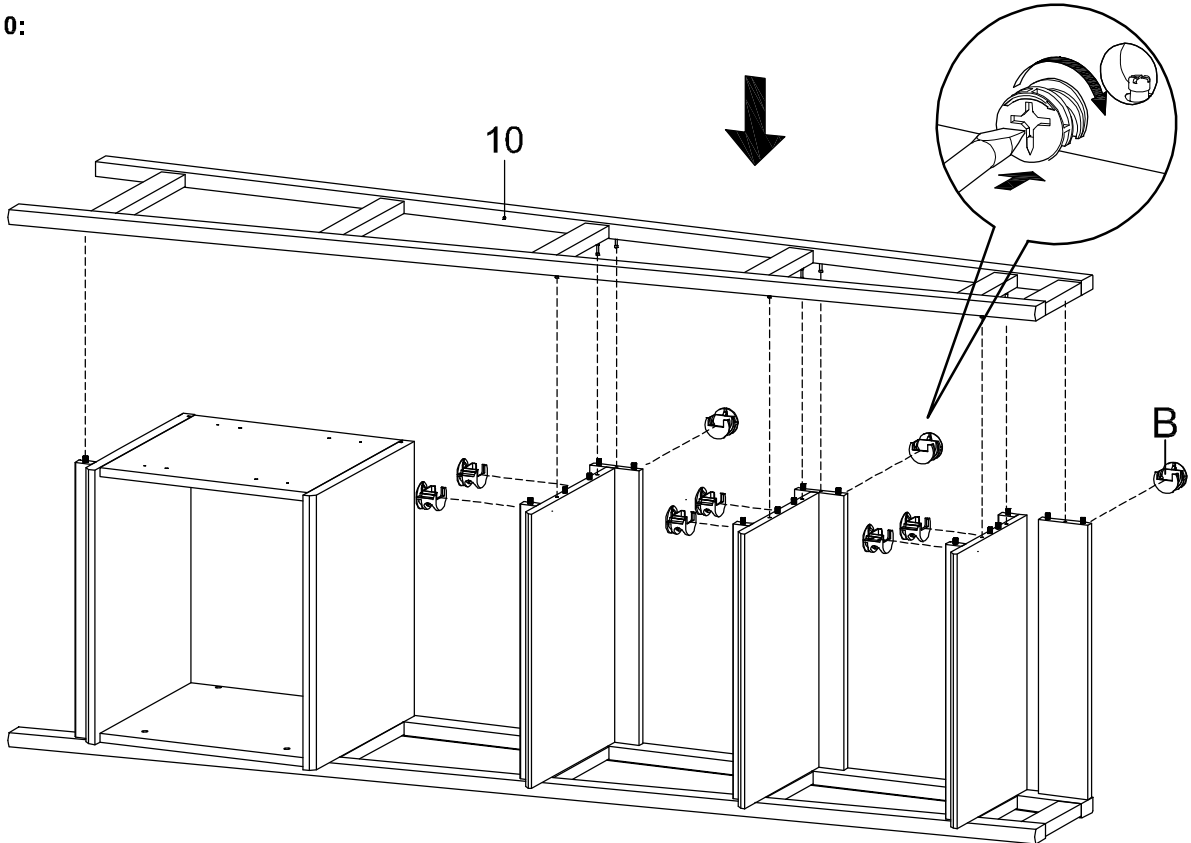
STEP 9:


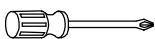


	
E	F x 4

Hardware required.

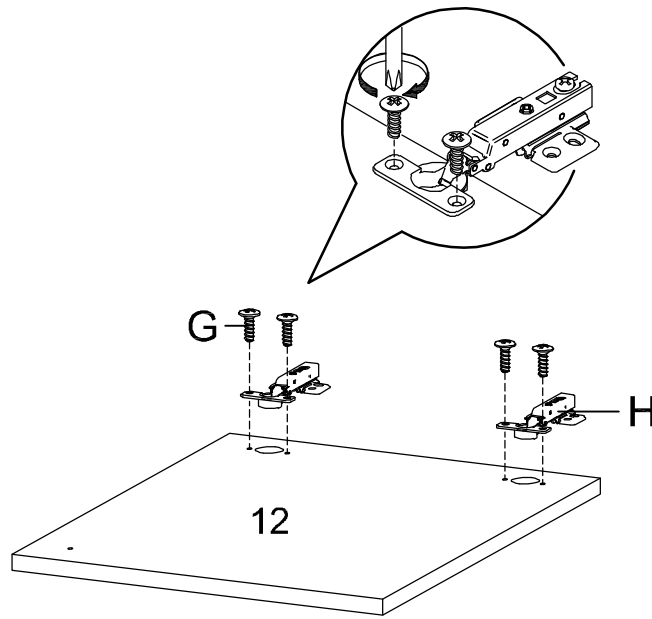
STEP 10:



	
B x 9	N x 1

Hardware required.  
Screwdriver not included

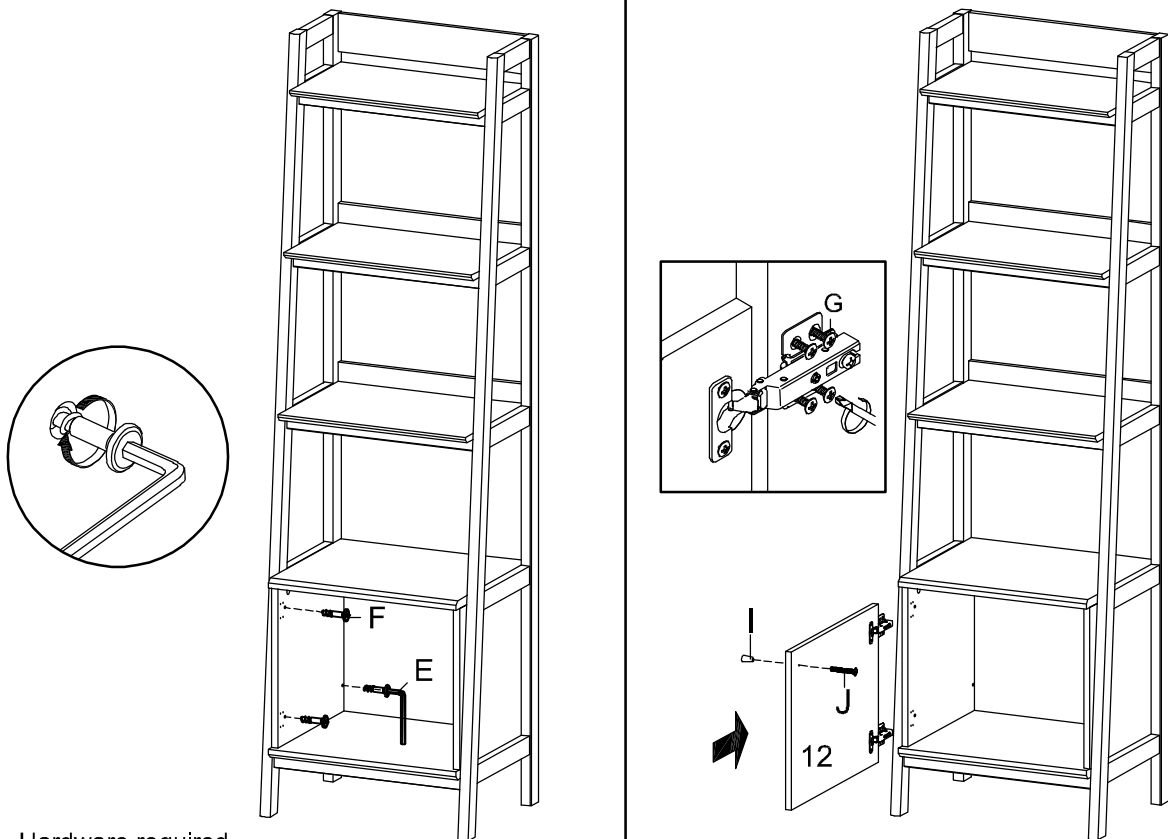
STEP 11:



G x 4	H x 2	N x 1

Hardware required.  
Screwdriver not included

STEP 12:

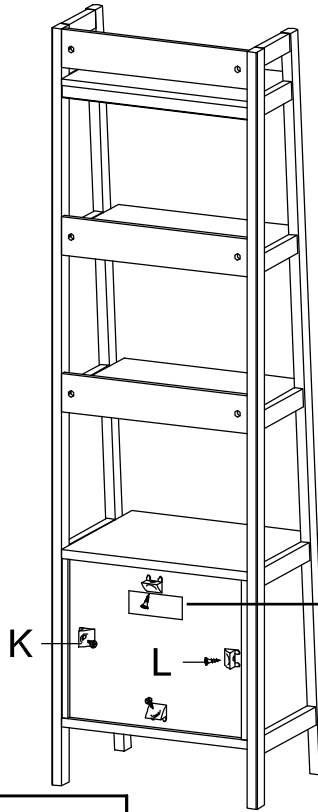
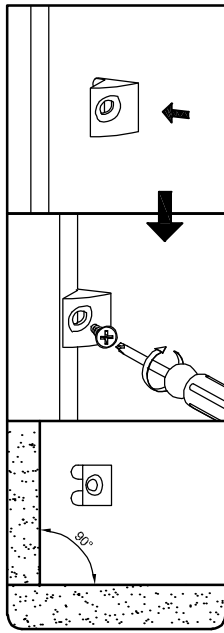


Hardware required.  
Screwdriver not included

F x 4	G x 8	I x 1	J x 1	E	N x 1



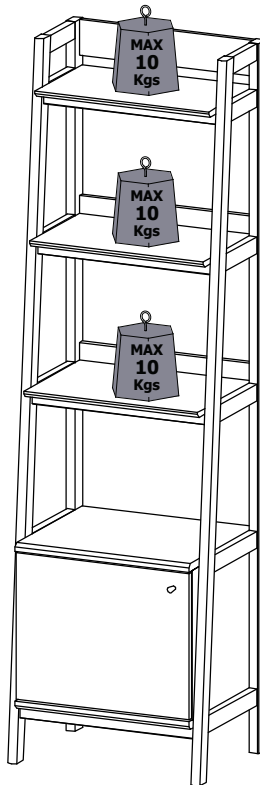
**STEP 13:**



K x 4	L x 4	N x 1

Hardware required.  
Screwdriver not included

**STEP 14:**



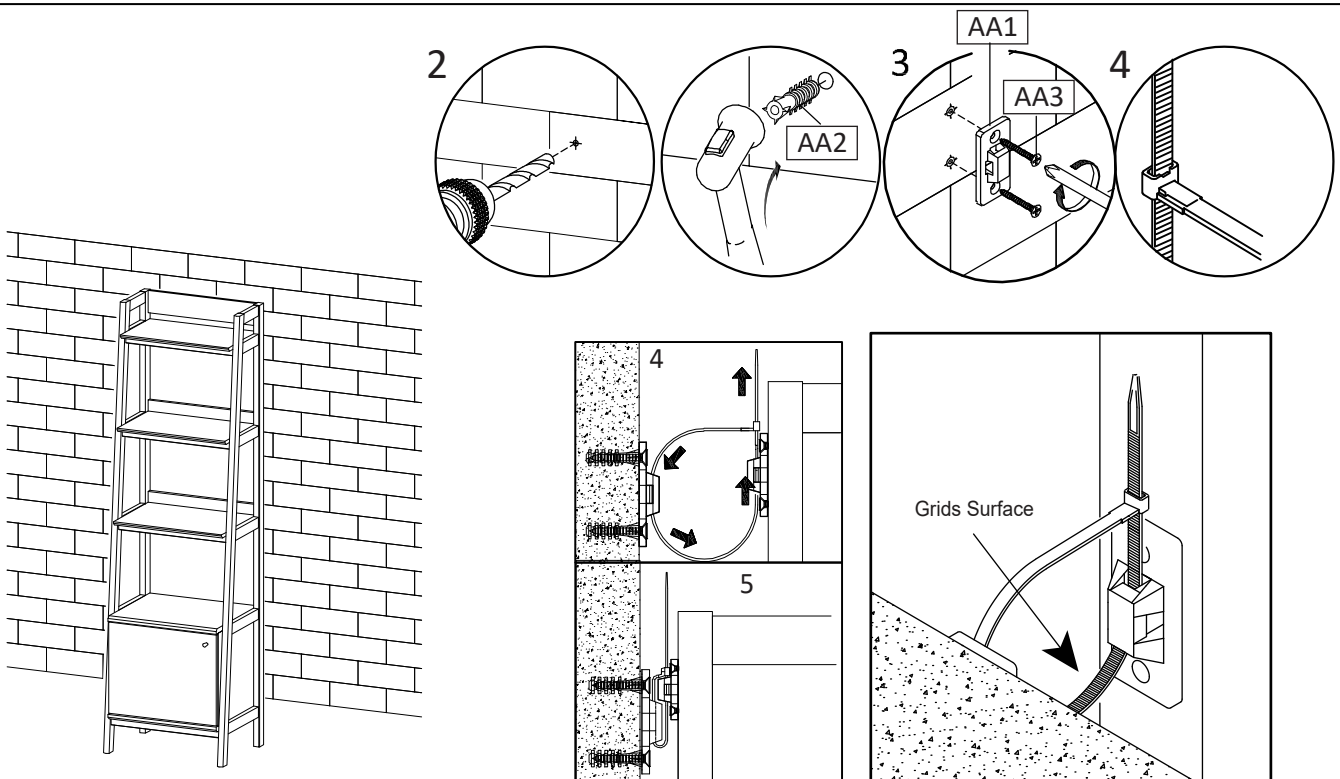
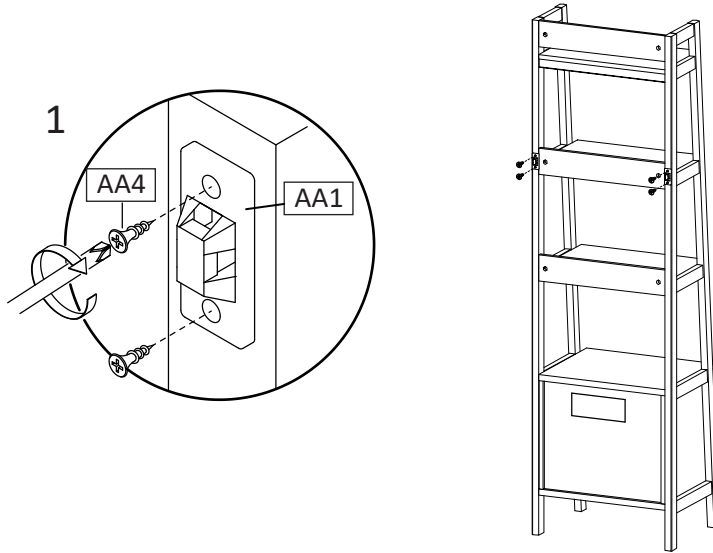
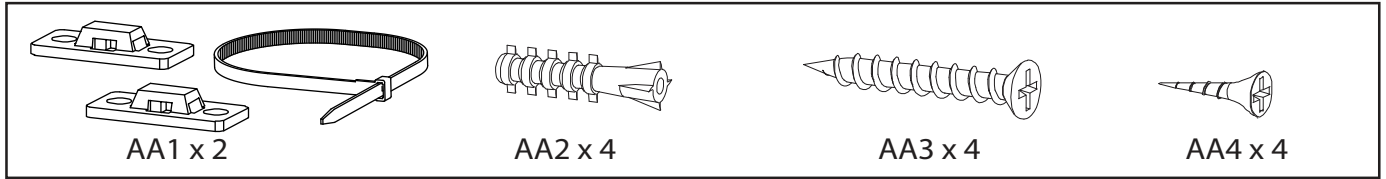
**Assembly is complete. The Bookcase is ready to enjoy now!**

# TIPPING RESTRAINTS KIT INSTALLATION GUIDANCE

Different wall materials require unique wall fasteners.

The wall plugs (AA2) and screws (AA3) are designed for fixing to concrete walls only.

Please consult your local hardware store to ensure you are using the correct hardware for your wall type.



## **Installation Instructions :**

1. Attach bracket (AA1) securely to the back top of the furniture using screw (AA4) provided. Allow 8 - 10 cm from each side.
2. Please make a hole for wall plugs position on the wall and minimum 15 mm below bracket secured to the back of unit attach the wall plugs (AA2).
3. Locate the other bracket (AA1) on the wall over wall plugs (AA2). Place furniture into position so both brackets (AA1) are vertically in the line.
4. Lace the end of the restraints strap through the larger hole in each bracket. Ensure the restraints strap with grids surface facing the inner loops. Bring both ends together and slide the flat end through the locking end and draw it through until all slack is removed.
5. Make sure that the strap is securely laced & locked.

# ASSEMBLY INSTRUCTIONS

# EEI-6073

V0.04.25.22



**Questions? Contact us!**

609.256.9000 • [cs@modway.com](mailto:cs@modway.com)  
[www.modway.com](http://www.modway.com)

\*modway

# Let's get started!

\*modway



Read through all of the instructions before starting



Care instructions are listed in the last step of this manual



Approx. 120 minutes assembly time



Make sure you have all parts and components before discarding any packing materials



2 people recommended for assembly

**Only use hand tools to assemble this item.** Do not use power tools. Do not tighten bolts or screws completely until all hardware is lined up and inserted into the holes.

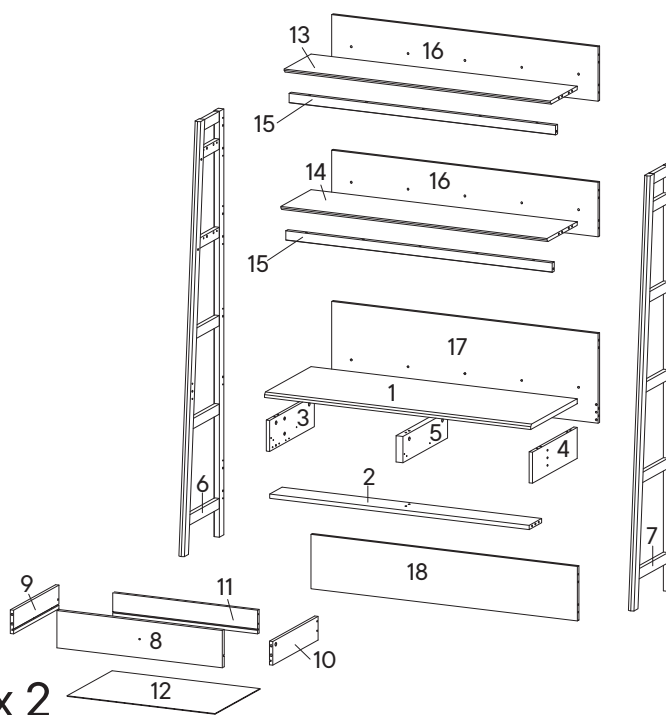
Do not over-tighten screws and bolts to avoid stripping the hardware or cracking the item.

Assemble your item on a flat, carpeted area, with plenty of space to work. This will prevent damage and scratches to your floors or the item while you're assembling the product.

Keep all components and packaging out of reach of children or animals to avoid risk of choking or suffocation.

## Furniture components:

1	Top Board	x1	11	Back Drawer	x2
2	Bottom Board	x1	12	Bottom Drawer	x2
3	Side Board Left	x1	13	Fixed Shelf 1	x1
4	Side Board Right	x1	14	Fixed Shelf 2	x1
5	Center Board	x1	15	Support Board	x2
6	Frame Side Left	x1	16	Back Board 1	x2
7	Frame Side Right	x1	17	Back Board 2	x1
8	Front Drawer	x2	18	Back Board 3	x1
9	Side Drawer Left	x2			
10	Side Drawer Right	x2			



## Provided hardware:

A		Cam Bolt Ø6 x 35 mm	x44	J		Screw M 6.4 x 25 mm	x4	ST1167	Anti Deflection Bar	x1
B		Cam Lock Ø15 mm	x40	K		Screw M 6 x 10.5 mm	x16			
C		Cam Lock Ø12 mm	x4	L		Screw M 3.5 x 13 mm	x12			
D		Wood Dowel Ø8 x 30 mm	x57	M		Screw M 8 x 39 mm	x8			
E		Wood Dowel Ø6 x 30 mm	x4	N		Bracket	x2			
F		Screw M 7 x 50 mm	x10	O		Screw M 4 x 22 mm	x2			
G		Allen Key	x2	P		Floor Protector	x4			
H		Wedge	x8	Q		Handle	x2			
I		Screw M 3.5 x 15.5 mm	x8	RM35A		Drawer Runner	x2			

## What you need:

Phillips Head Screwdriver

Wait!

Missing parts or hardware? Need assistance?  
Contact us before returning your item. We're here to help!  
609.256.9000 • cs@modway.com

# Step 1

## HARDWARE

**A** Cam Bolt  $\varnothing 6 \times 35$  mm x4

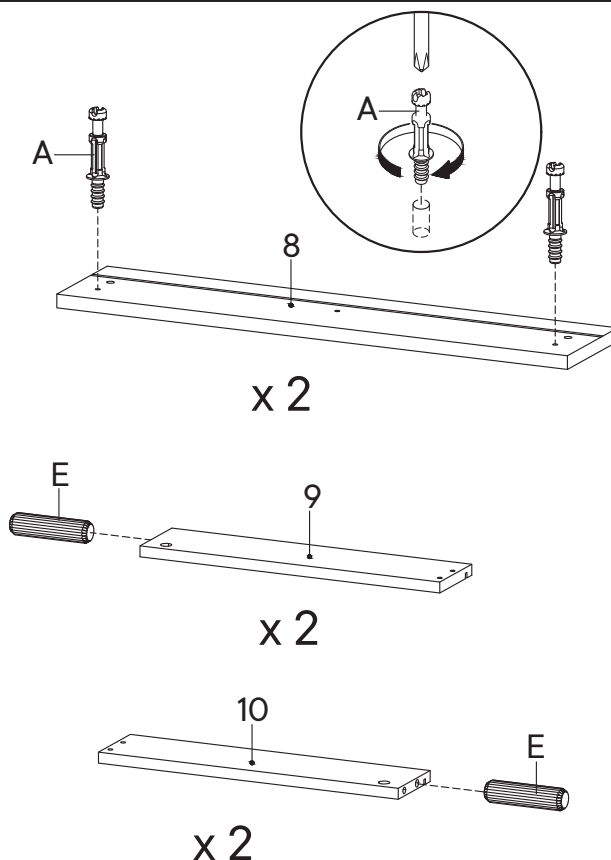
**E** Wood Dowel  $\varnothing 6 \times 30$  mm x4

## COMPONENTS

**8** Front Drawer x2

**9** Side Drawer Left x2

**10** Side Drawer Right x2



# Step 2

## HARDWARE

**C** Cam Lock  $\varnothing 12$  mm x4

**M** Screw M 8 x 39 mm x8

## COMPONENTS

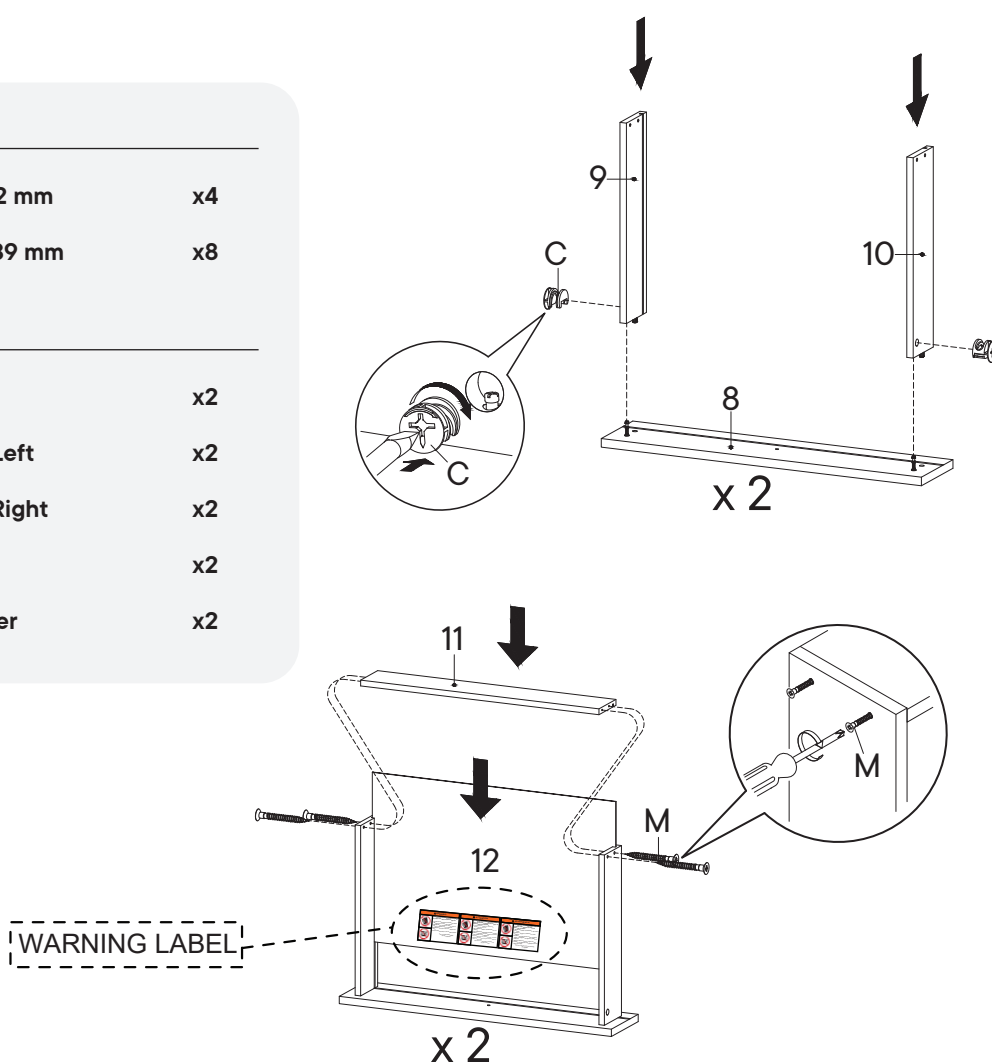
**8** Front Drawer x2

**9** Side Drawer Left x2

**10** Side Drawer Right x2

**11** Back Drawer x2

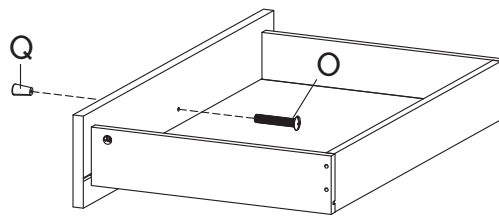
**12** Bottom Drawer x2



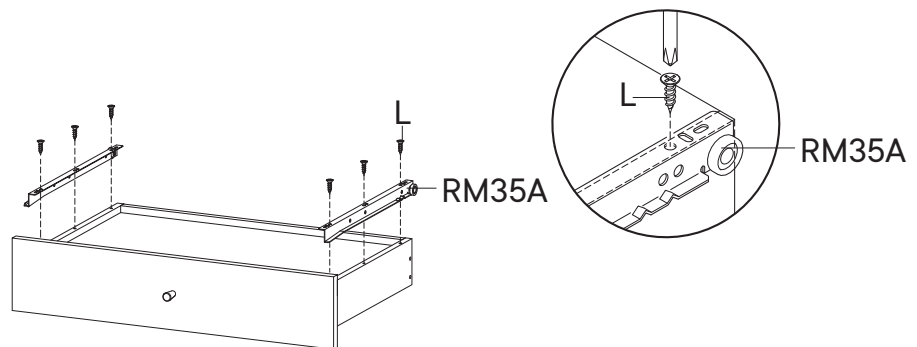
# Step 3

## HARDWARE

- L** Screw M 3.5 x 13 mm      x12
- O** Screw M 4 x 22 mm      x2
- Q** Handle      x2
- RM35A** Drawer Runner      x2



x 2

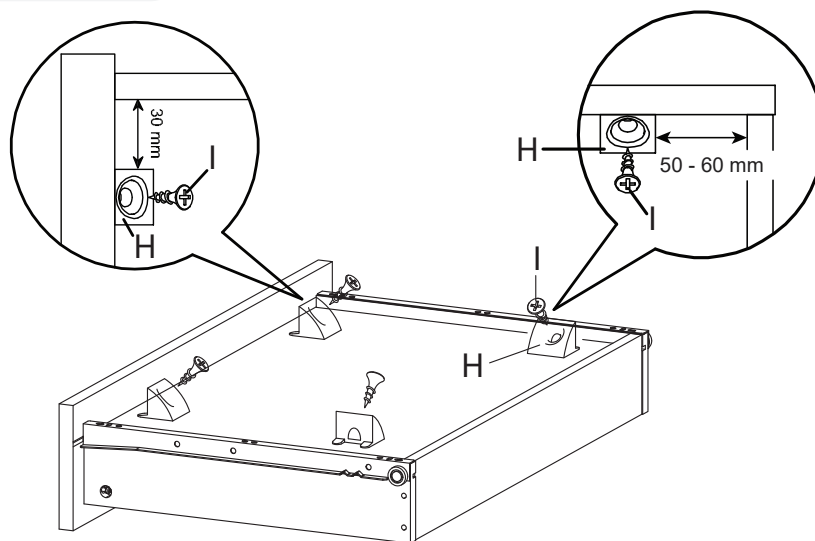


x 2

# Step 4

## HARDWARE

- H** Wedge      x8
- I** Screw M 3.5 x 15.5 mm      x8



x 2

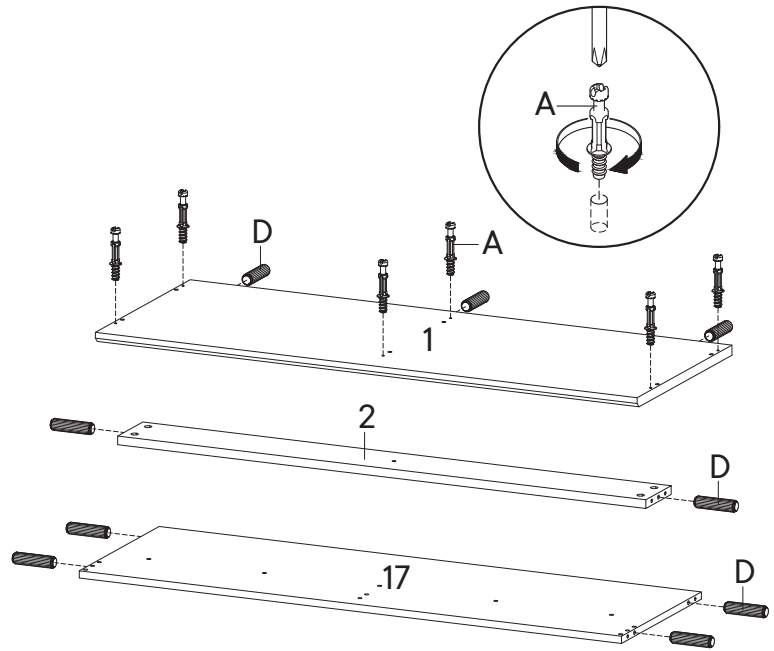
# Step 5

## HARDWARE

- A** Cam Bolt Ø6 x 35 mm x6
- D** Wood Dowel Ø8 x 30 mm x9

## COMPONENTS

- 1** Top Board x1
- 2** Bottom Board x1
- 17** Back Board 2 x1



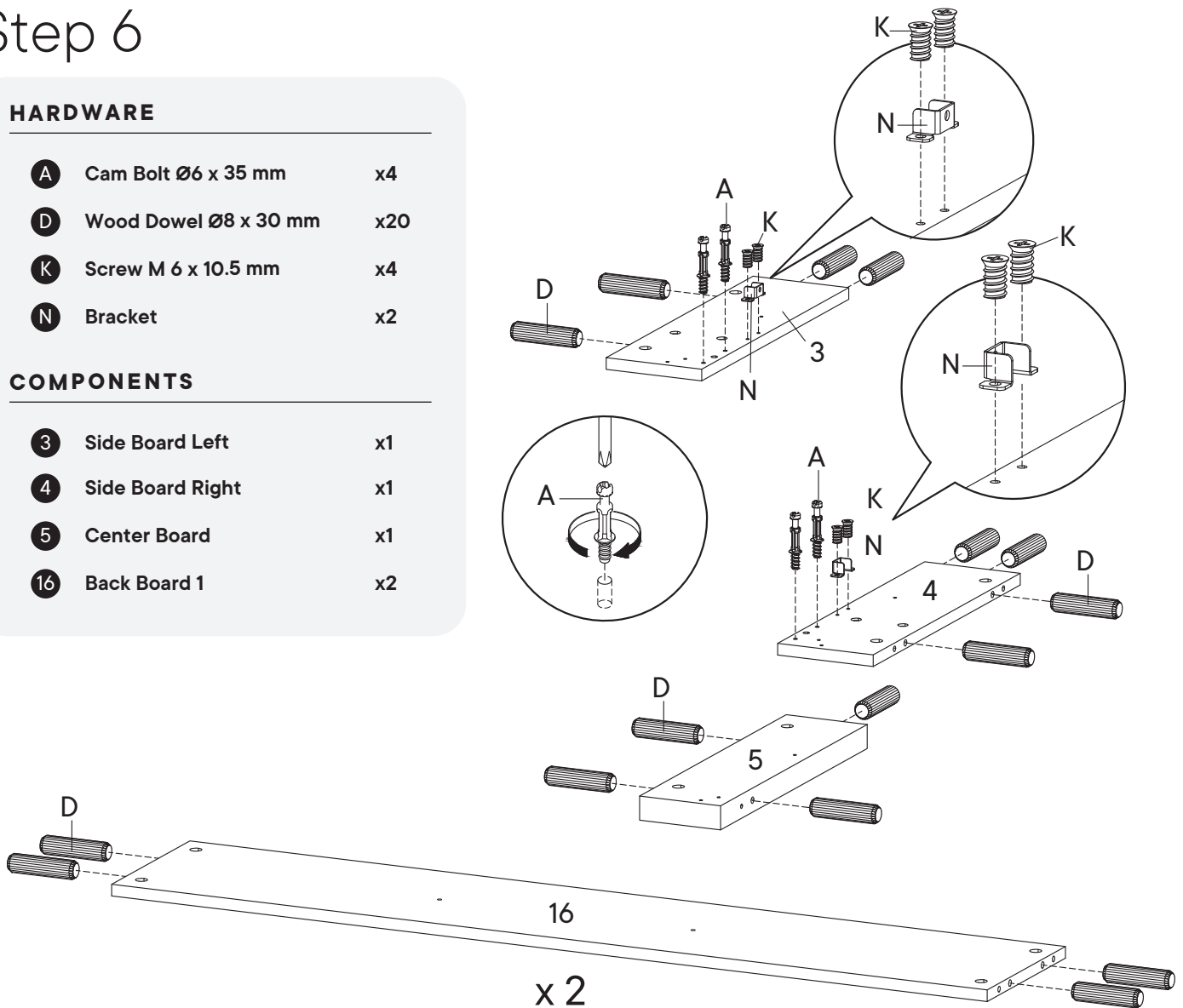
# Step 6

## HARDWARE

- A** Cam Bolt Ø6 x 35 mm x4
- D** Wood Dowel Ø8 x 30 mm x20
- K** Screw M 6 x 10.5 mm x4
- N** Bracket x2

## COMPONENTS

- 3** Side Board Left x1
- 4** Side Board Right x1
- 5** Center Board x1
- 16** Back Board 1 x2



# Step 7

## HARDWARE

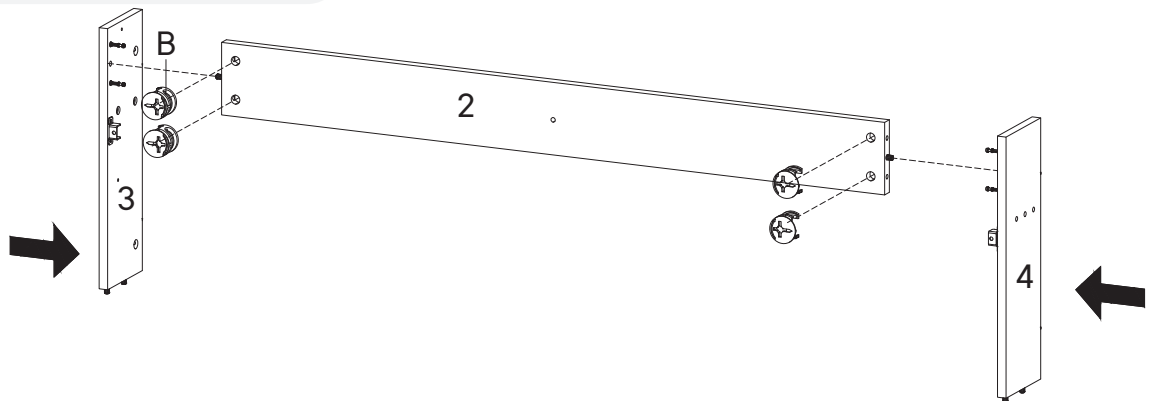
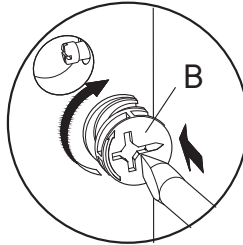
**B** Cam Lock Ø15 mm x4

## COMPONENTS

**2** Bottom Board x1

**3** Side Board Left x1

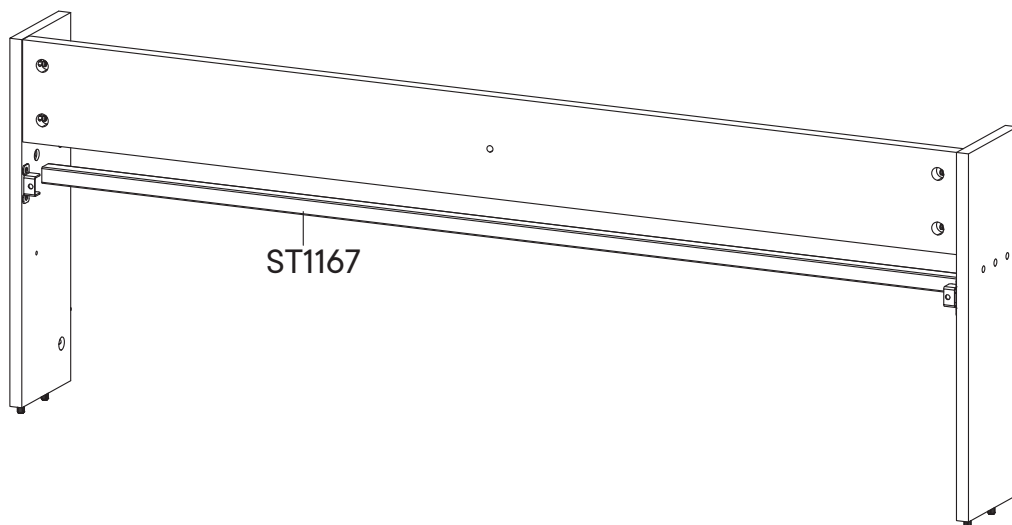
**4** Side Board Right x1



# Step 8

## HARDWARE

**ST1167** Anti Deflection Bar x1





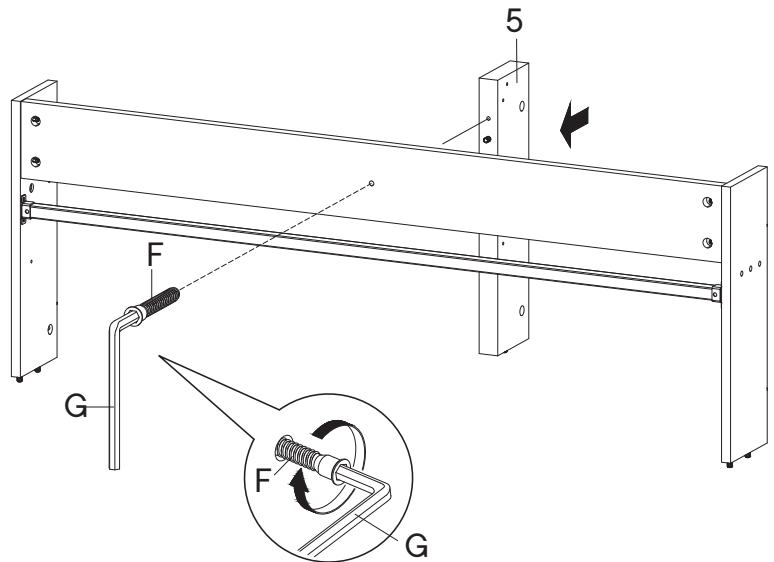
## Step 9

### HARDWARE

- F** Screw M 7 x 50 mm x1
- G** Allen Key x1

### COMPONENTS

- 5** Center Board x1



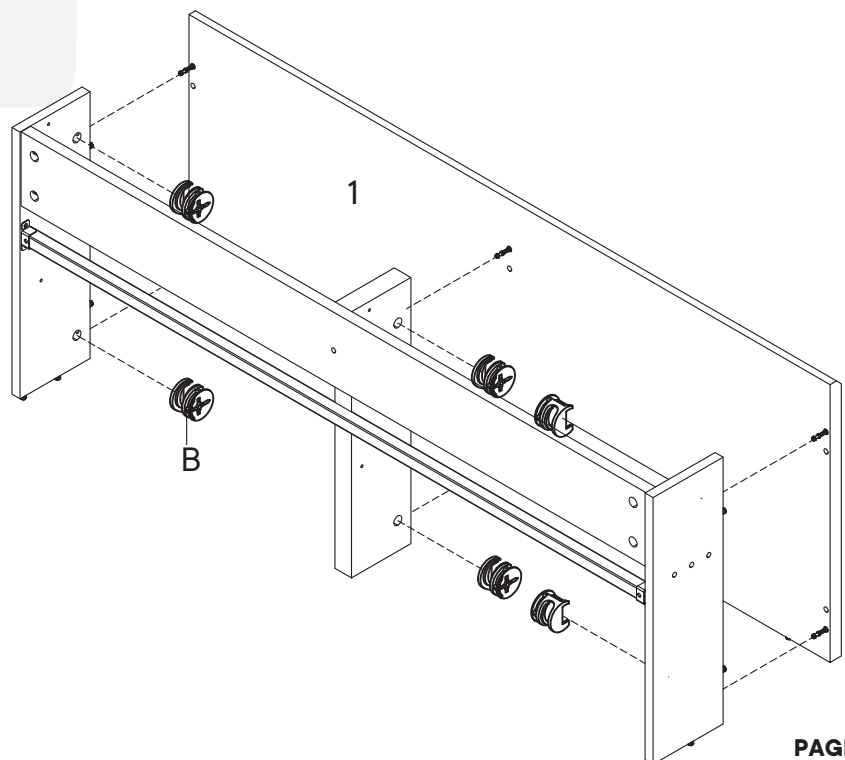
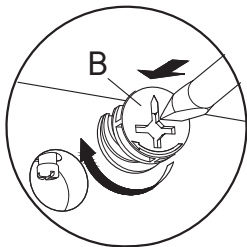
## Step 10

### HARDWARE

- B** Cam Lock Ø15 mm x6

### COMPONENTS

- 1** Top Board x1



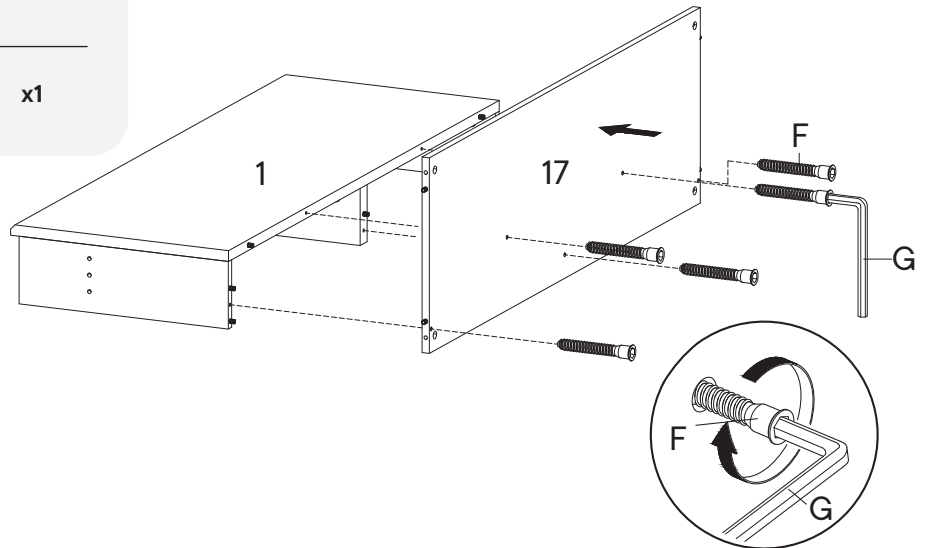
# Step 11

## HARDWARE

- F** Screw M 7 x 50 mm x5
- G** Allen Key x1

## COMPONENTS

- 17** Back Board 2 x1



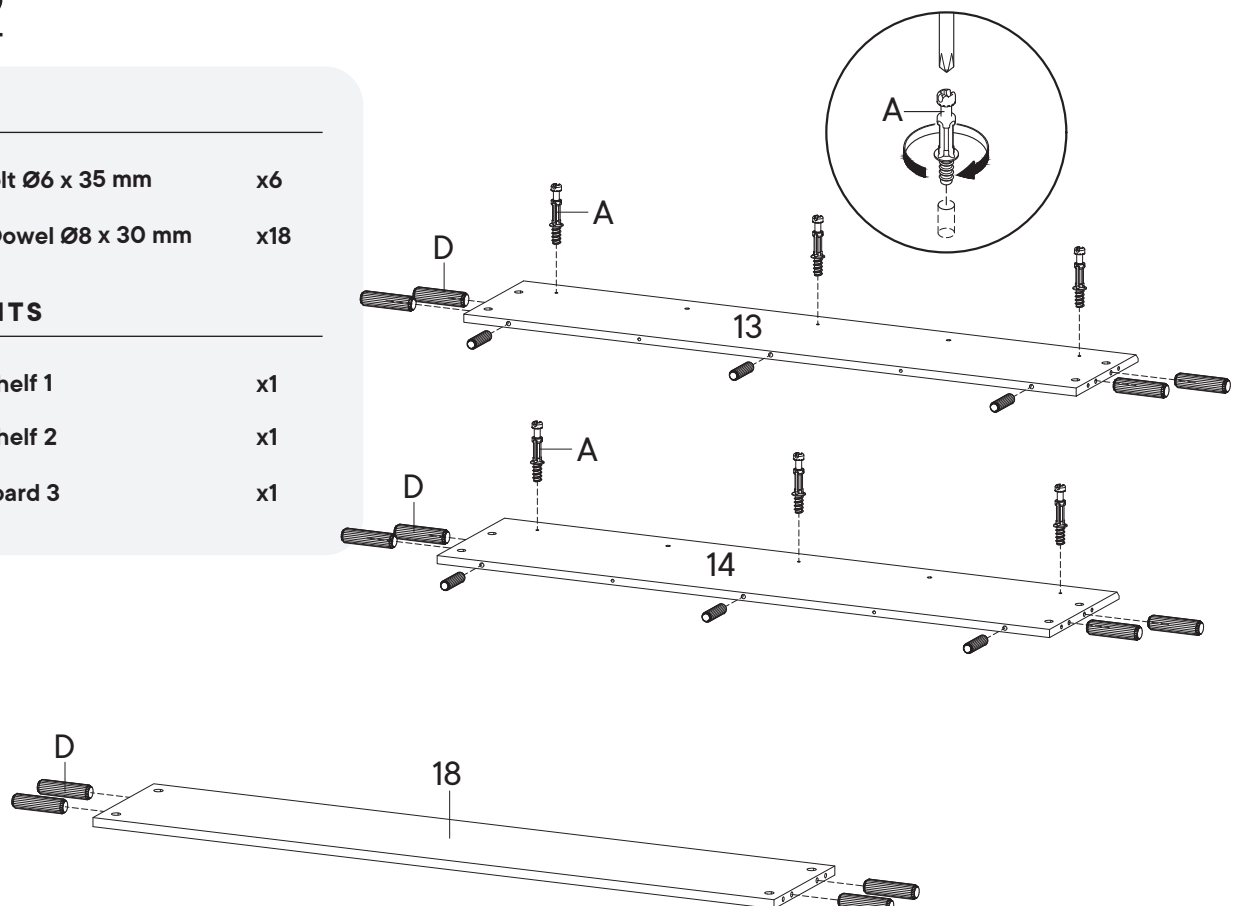
# Step 12

## HARDWARE

- A** Cam Bolt  $\varnothing 6 \times 35$  mm x6
- D** Wood Dowel  $\varnothing 8 \times 30$  mm x18

## COMPONENTS

- 13** Fixed Shelf 1 x1
- 14** Fixed Shelf 2 x1
- 18** Back Board 3 x1



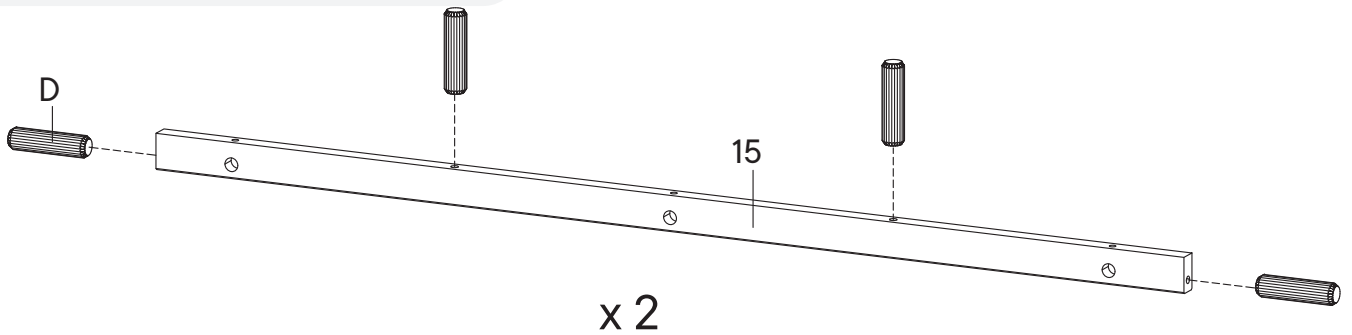
# Step 13

## HARDWARE

**D** Wood Dowel Ø8 x 30 mm x8

## COMPONENTS

**15** Support Board x2



# Step 14

## HARDWARE

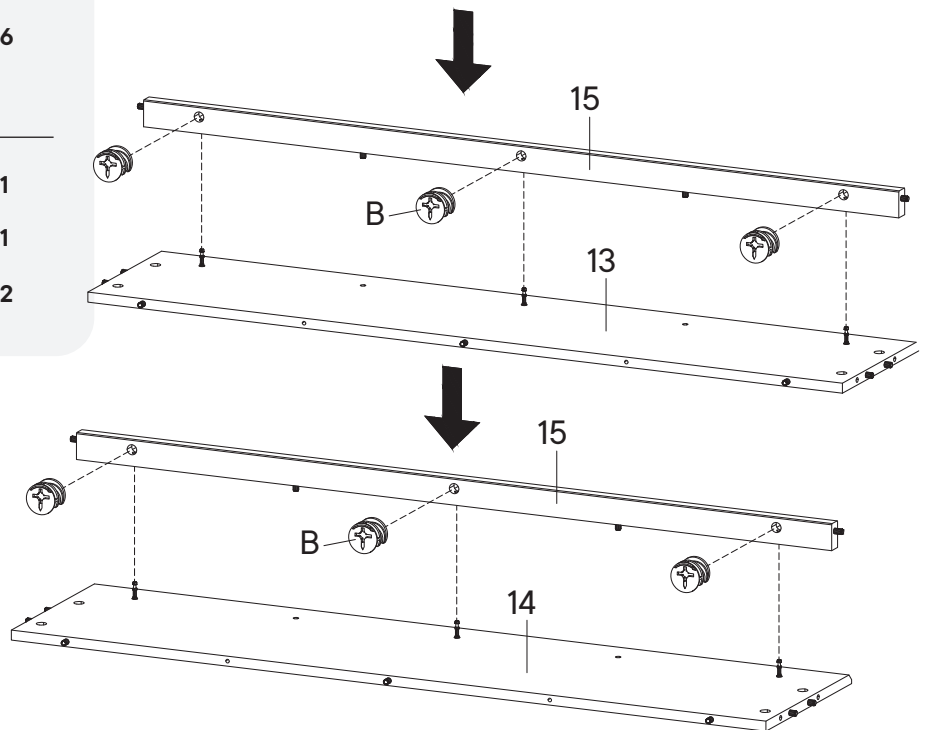
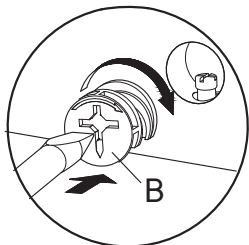
**B** Cam Lock Ø15 mm x6

## COMPONENTS

**13** Fixed Shelf 1 x1

**14** Fixed Shelf 2 x1

**15** Support Board x2



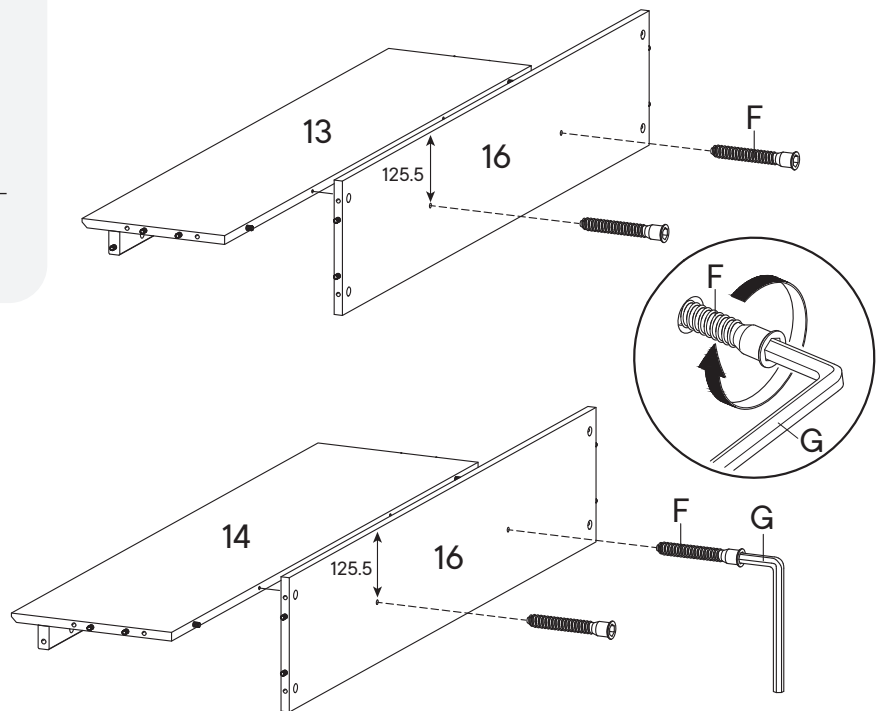
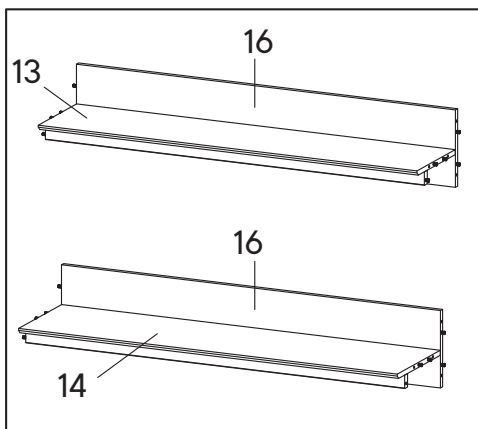
# Step 15

## HARDWARE

- F** Screw M 7 x 50 mm x4
- G** Allen Key x1

## COMPONENTS

- 16** Back Board 1 x2



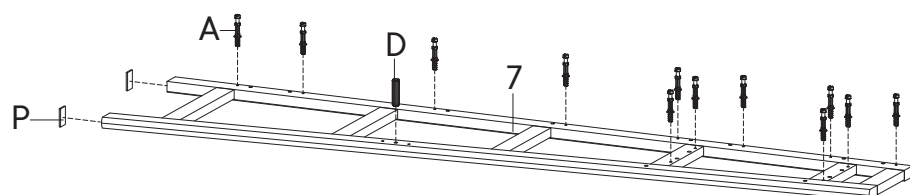
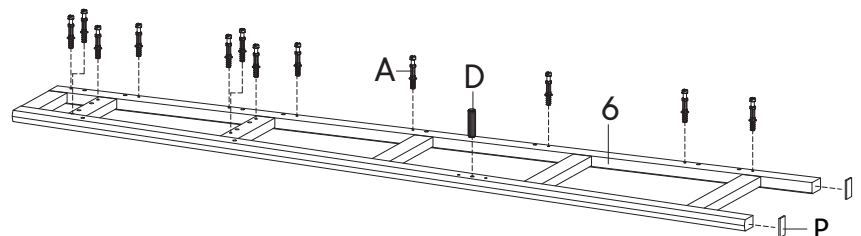
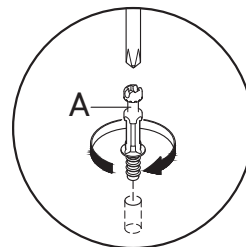
# Step 16

## HARDWARE

- A** Cam Bolt  $\varnothing 6 \times 35$  mm x24
- D** Wood Dowel  $\varnothing 8 \times 30$  mm x2
- P** Floor Protector x4

## COMPONENTS

- 6** Frame Side Left x1
- 7** Frame Side Right x1



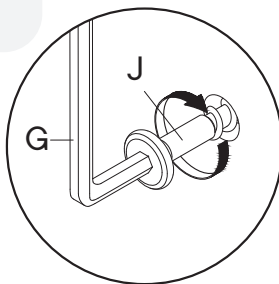
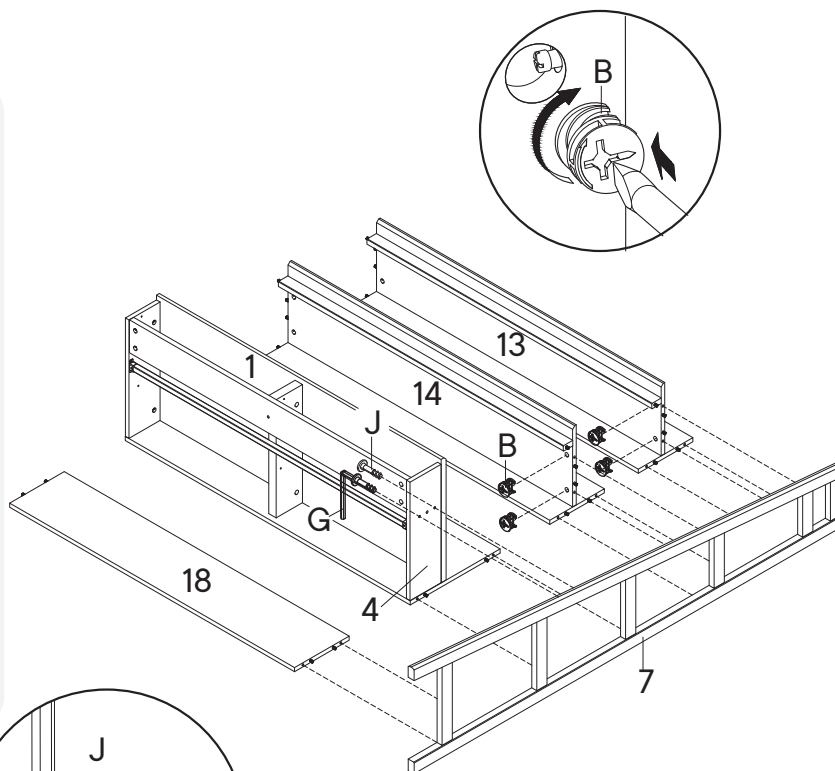
# Step 17

## HARDWARE

- B** Cam Lock Ø15 mm x4
- G** Allen Key x1
- J** Screw M 6.4 x 25 mm x2

## COMPONENTS

- 4** Side Board Right x1
- 7** Frame Side Right x1
- 13** Fixed Shelf 1 x1
- 14** Fixed Shelf 2 x1
- 18** Back Board 3 x1



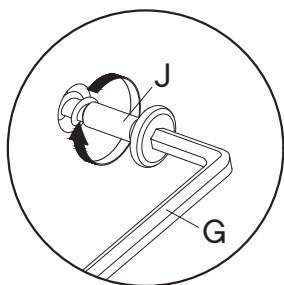
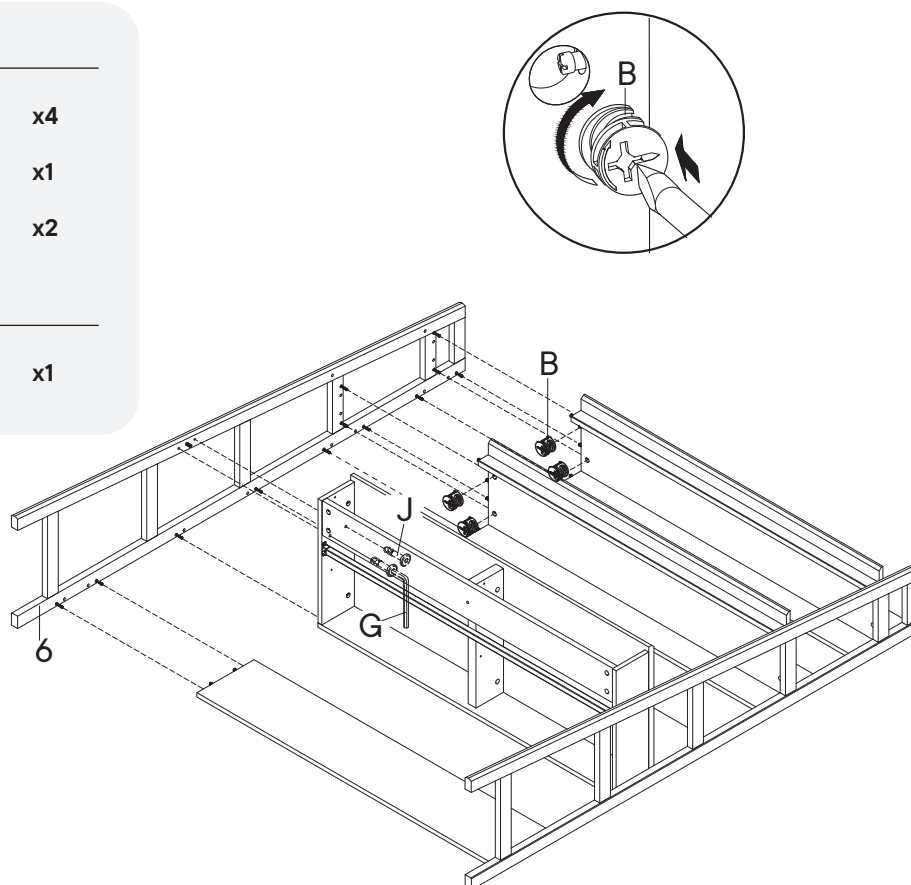
# Step 18

## HARDWARE

- B** Cam Lock Ø15 mm x4
- G** Allen Key x1
- J** Screw M 6.4 x 25 mm x2

## COMPONENTS

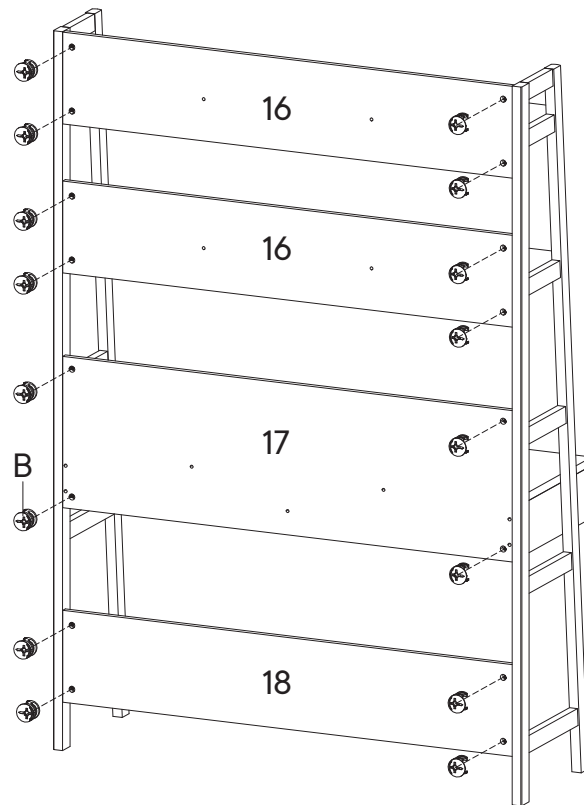
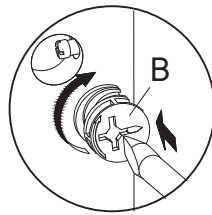
- 6** Frame Side Left x1



# Step 19

## HARDWARE

**B** Cam Lock Ø15 mm x16

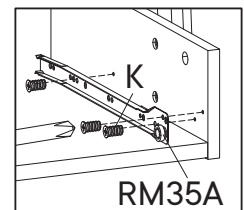
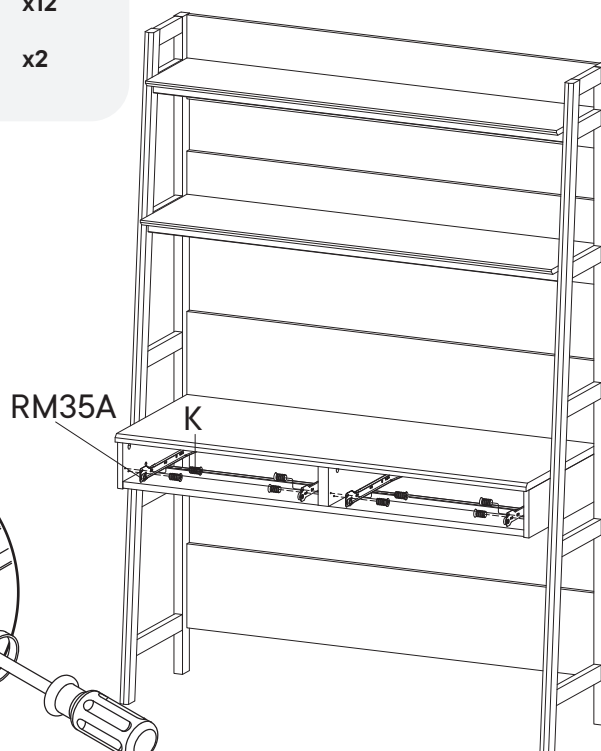
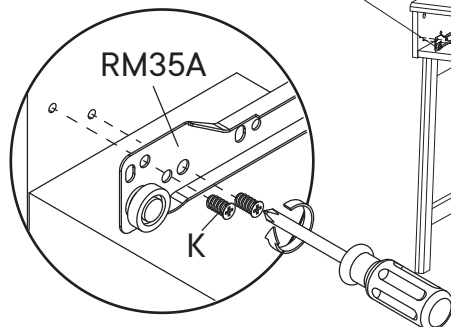
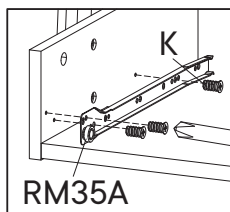


# Step 20

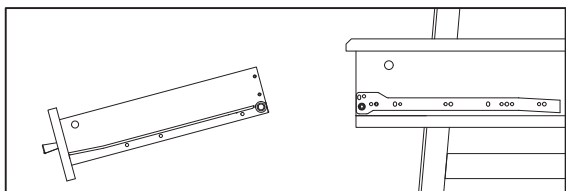
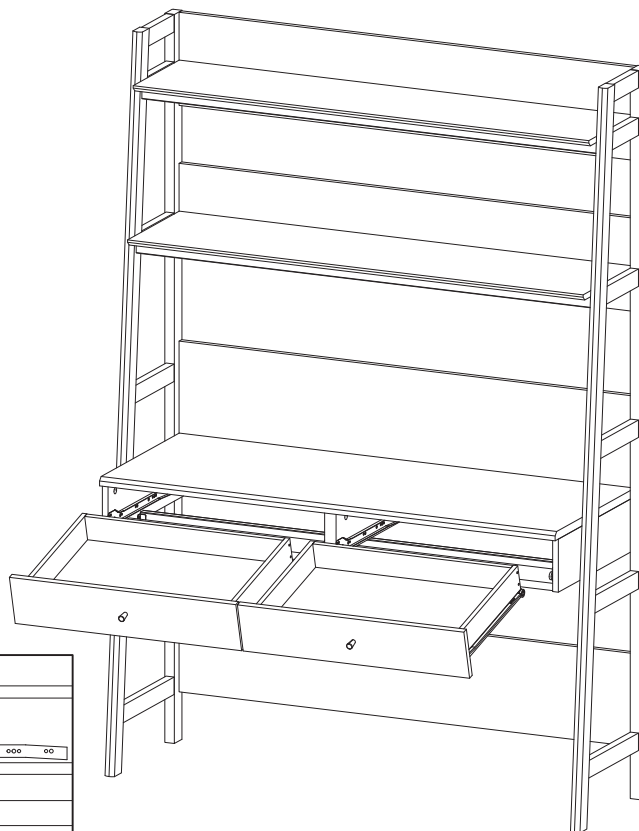
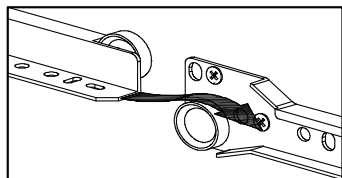
## HARDWARE

**K** Screw M 6 x 10.5 mm x12

**RM35A** Drawer Runner x2



# Step 21



## Great job!

Desk assembly is complete.

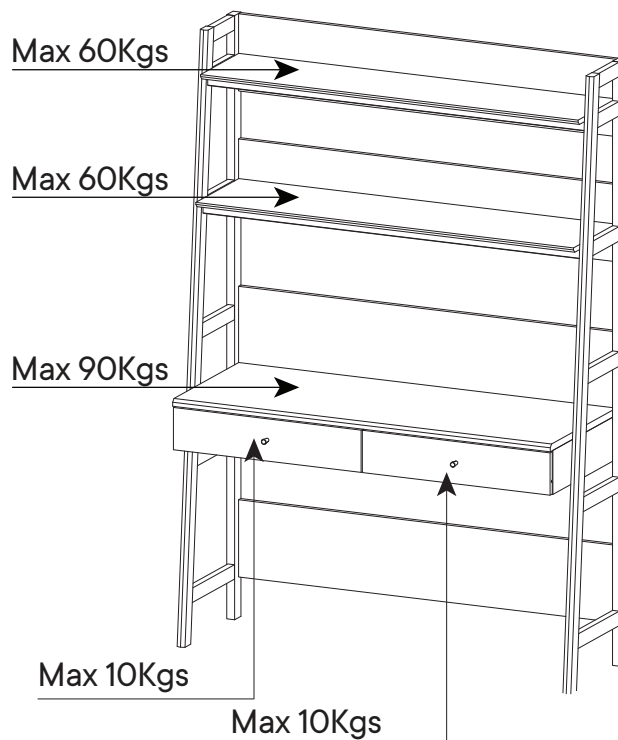
### ♥ CARING FOR YOUR ITEM


Indoor use only.

Not contract grade.

Clean using a non-abrasive cloth and a mild cleaner.

Never use harsh chemicals, as they could damage the finish or integrity of the item.



CONNECT WITH US!   

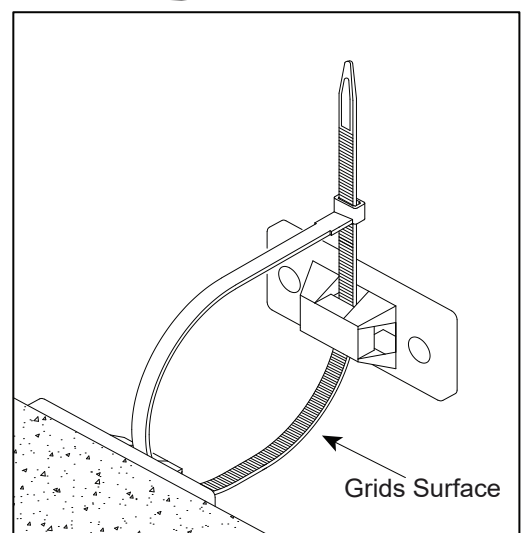
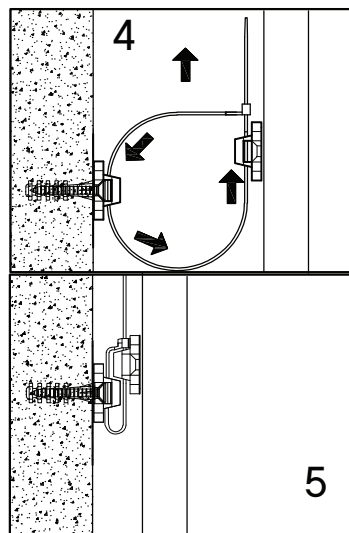
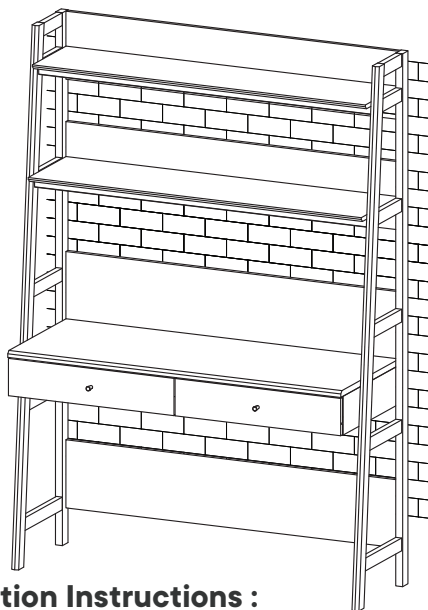
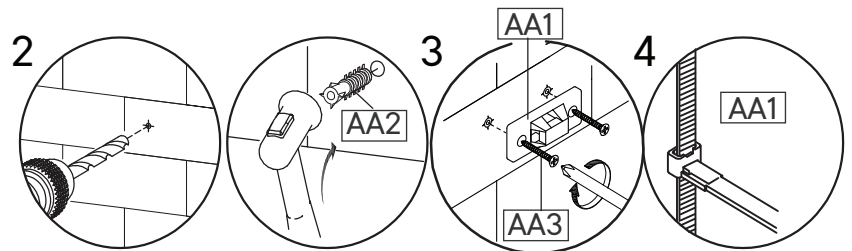
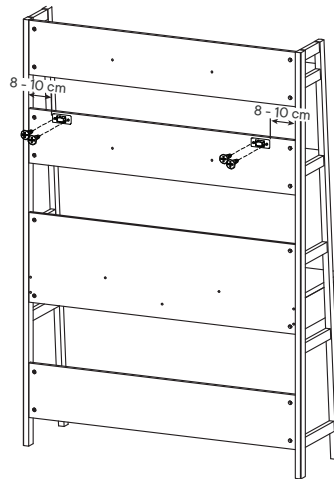
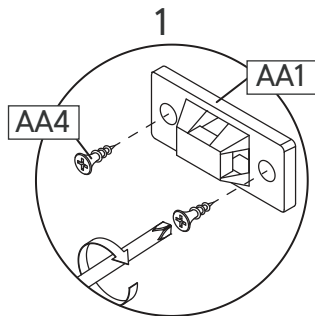
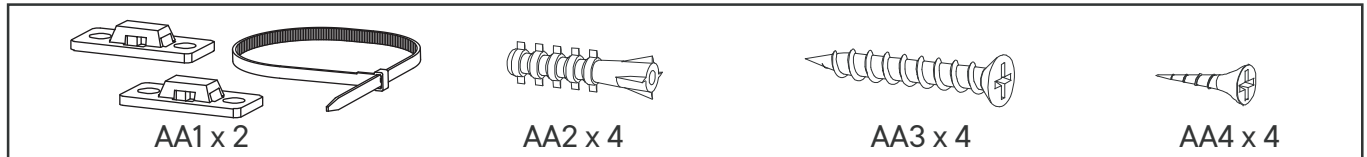
Tag us @modway\_furniture and #modway for a chance to be featured.

## TIPPING RESTRAINTS KIT INSTALLATION GUIDANCE

Different wall materials require unique wall fasteners.

The wall plugs (AA2) and screws (AA3) are designed for fixing to concrete walls only.

Please consult your local hardware store to ensure you are using the correct hardware for you wall type.



### Installation Instructions :

1. Attach bracket (AA1) securely to the back top of the furniture using screw (AA4) provided. Allow 8 - 10 cm from each side.
2. Please make a hole for wall plugs position on the wall and minimum 15 mm below bracket secured to the back of unit attach the wall plugs (AA2).
3. Locate the other bracket (AA1) on the wall over wall plugs (AA2). Place furniture into position so both brackets (AA1) are vertically in the line.
4. Lace the end of the restrains strap through the larger hole in each bracket. Ensure the restrains strap with grids surface facing the inner loops. Bring both ends together and slide the flat end through the locking end and draw it through until all slack is removed.
5. Make sure that the strap is securely laced & locked.