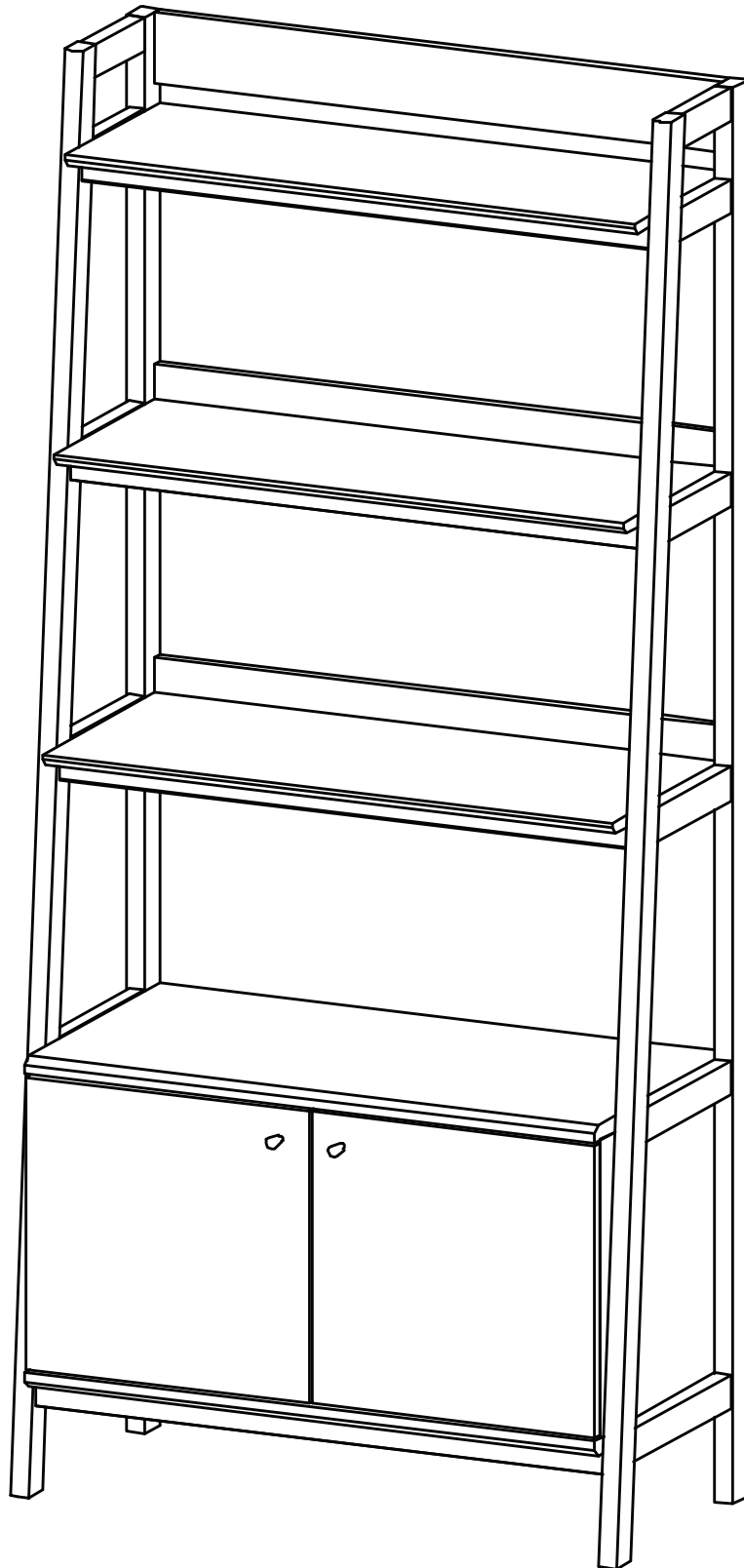


ASSEMBLY INSTRUCTIONS

EEI-4656

V0.02.10.22



Questions? Contact us!

609.256.9000 • cs@modway.com
www.modway.com

*modway



Read through all of the instructions before starting



Care instructions are listed in the last step of this manual



Approx. 60 minutes assembly time



Make sure you have all parts and components before discarding any packing materials



2 people recommended for assembly

Only use hand tools to assemble this item. Do not use power tools. Do not tighten bolts or screws completely until all hardware is lined up and inserted into the holes.

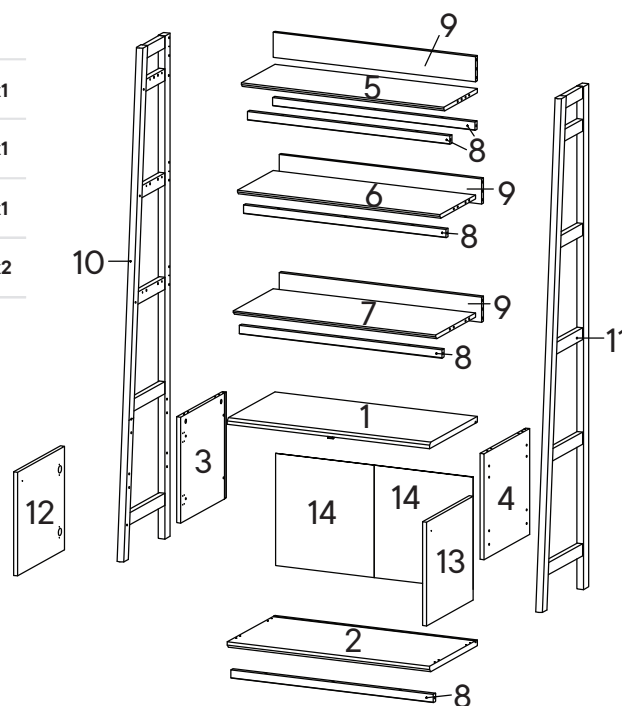
Do not over-tighten screws and bolts to avoid stripping the hardware or cracking the item.

Assemble your item on a flat, carpeted area, with plenty of space to work. This will prevent damage and scratches to your floors or the item while you're assembling the product.

Keep all components and packaging out of reach of children or animals to avoid risk of choking or suffocation.

Furniture components:

1	Top Board	x1	11	Side Panel Right	x1
2	Bottom Board	x1	12	Door Left	x1
3	Side Board Left	x1	13	Door Right	x1
4	Side Board Right	x1	14	Back Board	x2
5	Fixed Shelf 1	x1			
6	Fixed Shelf 2	x1			
7	Fixed Shelf 3	x1			
8	Support Board 1	x5			
9	Support Board 2	x3			
10	Side Panel Left	x1			



Provided hardware:

A		Cam Bolt $\varnothing 6 \times 35$ mm	x22	J		Screw M 4 x 22 mm	x2
B		Cam Lock $\varnothing 15$ mm	x22	K		Wedge	x6
C		Wood Dowel $\varnothing 8 \times 30$ mm	x65	L		Screw M 3.5 x 15.5 mm	x6
D		Screw M 7 x 50 mm	x4	M		Stopper	x2
E		Allen Key	x1	HS26A		Hinge	x4
F		Screw M 6.4 x 25 mm	x8				
G		Screw M 4.5 x 12.5 mm	x24				
H		Foam/Rubber Pad	x4				
I		Handle	x2				

What you need:

Phillips Head Screwdriver

Wait!

Missing parts or hardware? Need assistance?
Contact us before returning your item. We're here to help!
609.256.9000 • cs@modway.com

Step 1

HARDWARE

C Wood Dowel Ø8 x 30 mm x49

COMPONENTS

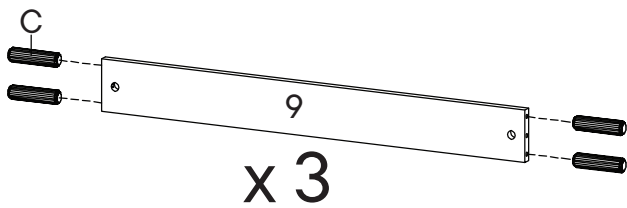
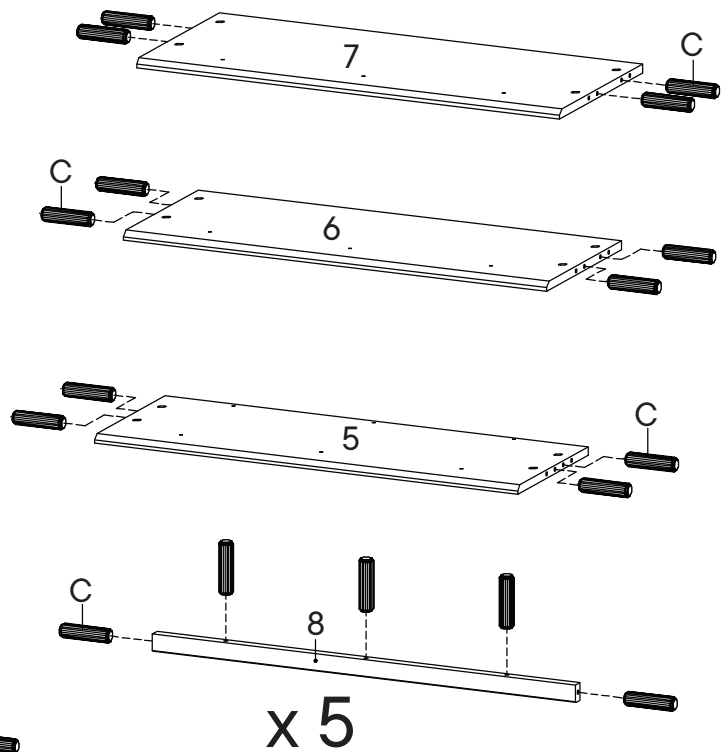
5 Fixed Shelf 1 x1

6 Fixed Shelf 2 x1

7 Fixed Shelf 3 x1

8 Support Board 1 x5

9 Support Board 2 x3



Step 2

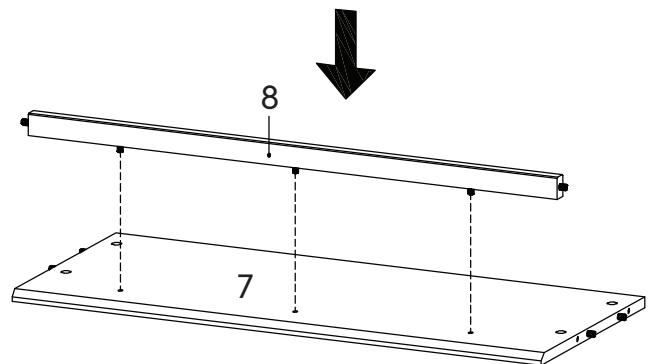
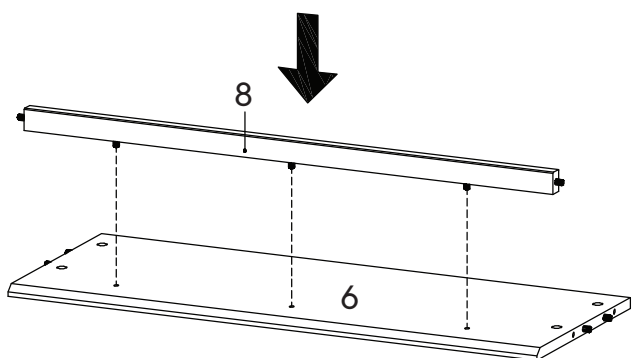
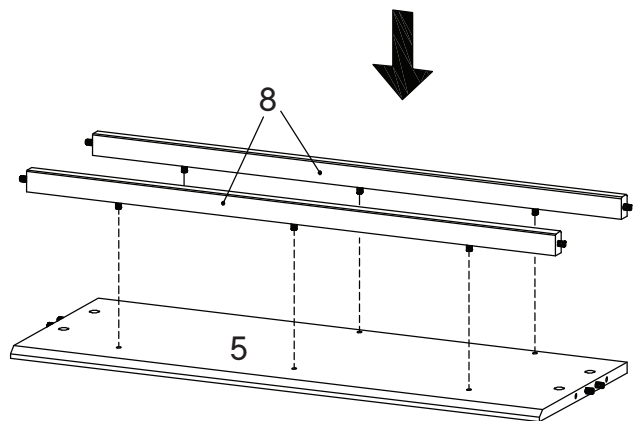
COMPONENTS

5 Fixed Shelf 1 x1

6 Fixed Shelf 2 x1

7 Fixed Shelf 3 x1

8 Support Board 1 x4



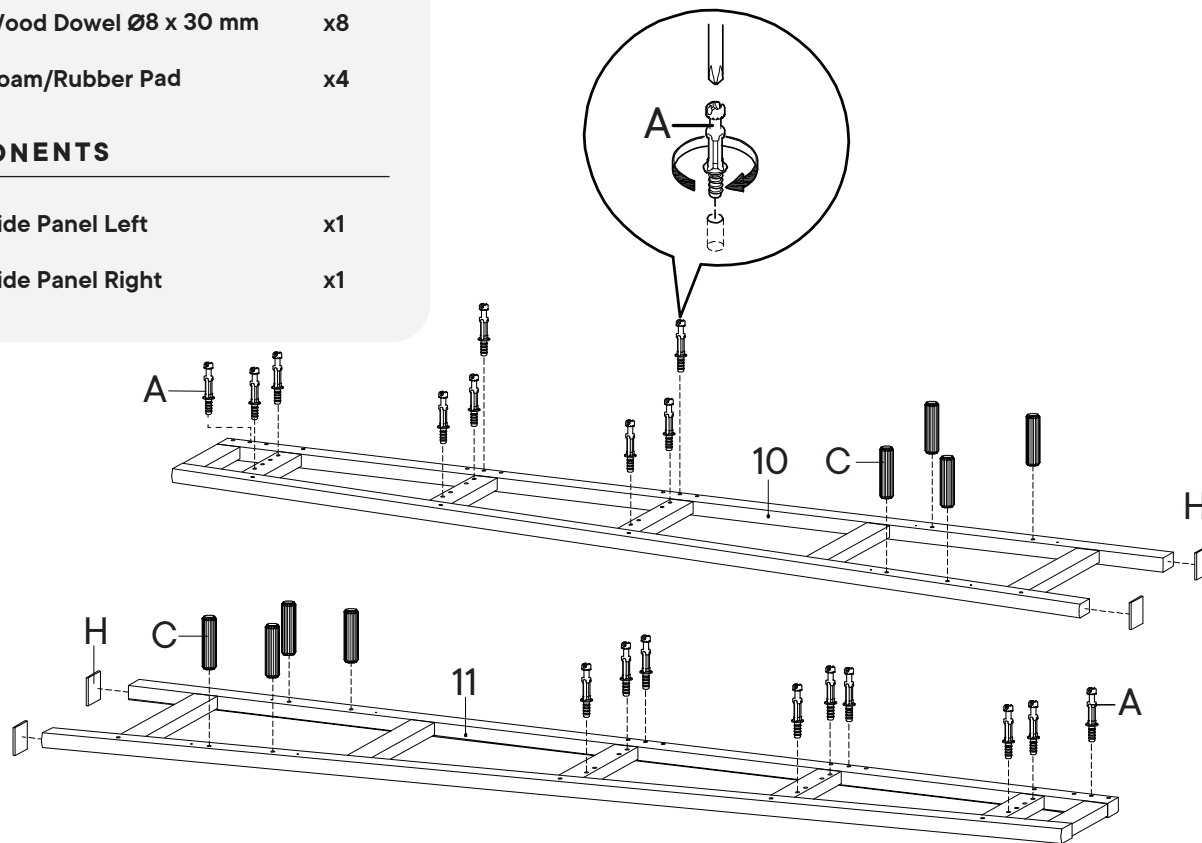
Step 3

HARDWARE

- A** Cam Bolt $\varnothing 6 \times 35$ mm x18
- C** Wood Dowel $\varnothing 8 \times 30$ mm x8
- H** Foam/Rubber Pad x4

COMPONENTS

- 10** Side Panel Left x1
- 11** Side Panel Right x1



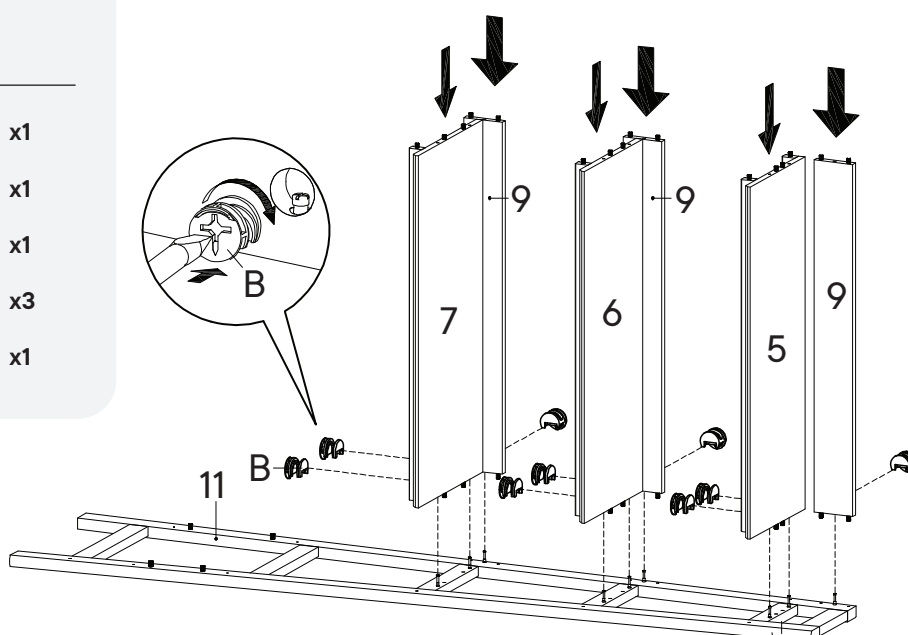
Step 4

HARDWARE

- B** Cam Lock $\varnothing 15$ mm x9

COMPONENTS

- 5** Fixed Shelf 1 x1
- 6** Fixed Shelf 2 x1
- 7** Fixed Shelf 3 x1
- 9** Support Board 2 x3
- 11** Side Panel Right x1



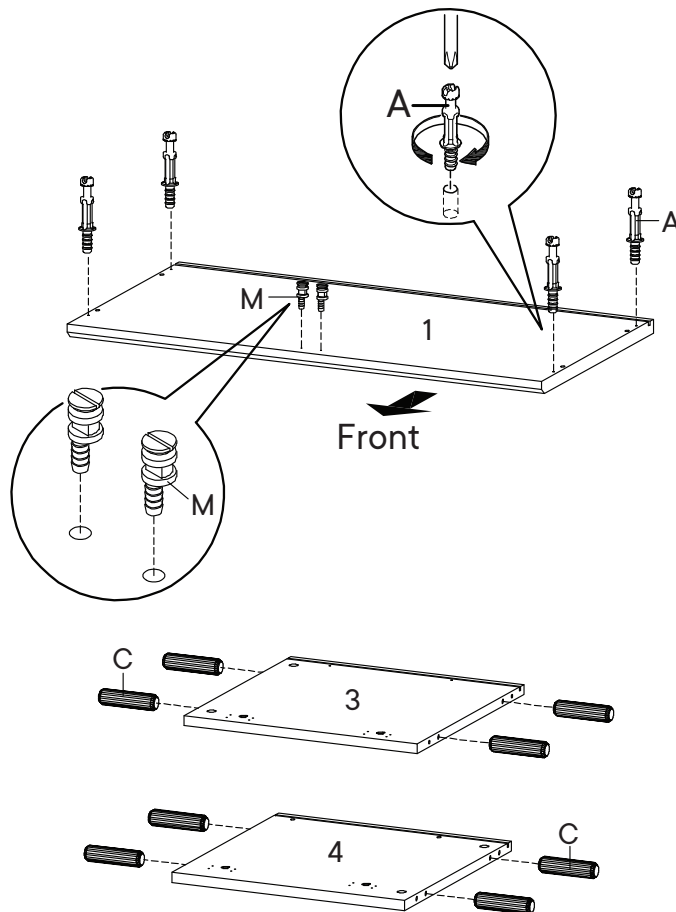
Step 5

HARDWARE

- A** Cam Bolt Ø6 x 35 mm x4
- C** Wood Dowel Ø8 x 30 mm x8
- M** Stopper x2

COMPONENTS

- 1** Top Board x1
- 3** Side Board Left x1
- 4** Side Board Right x1



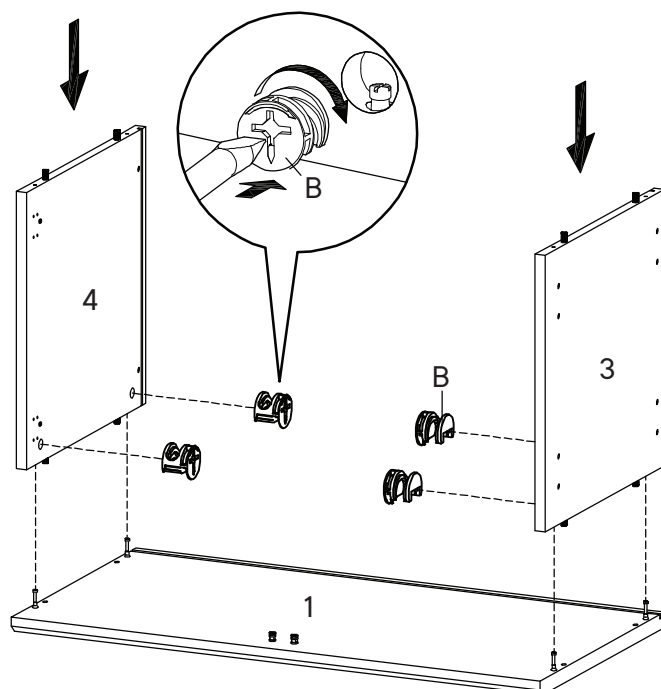
Step 6

HARDWARE

- B** Cam Lock Ø15 mm x4

COMPONENTS

- 1** Top Board x1
- 3** Side Board Left x1
- 4** Side Board Right x1



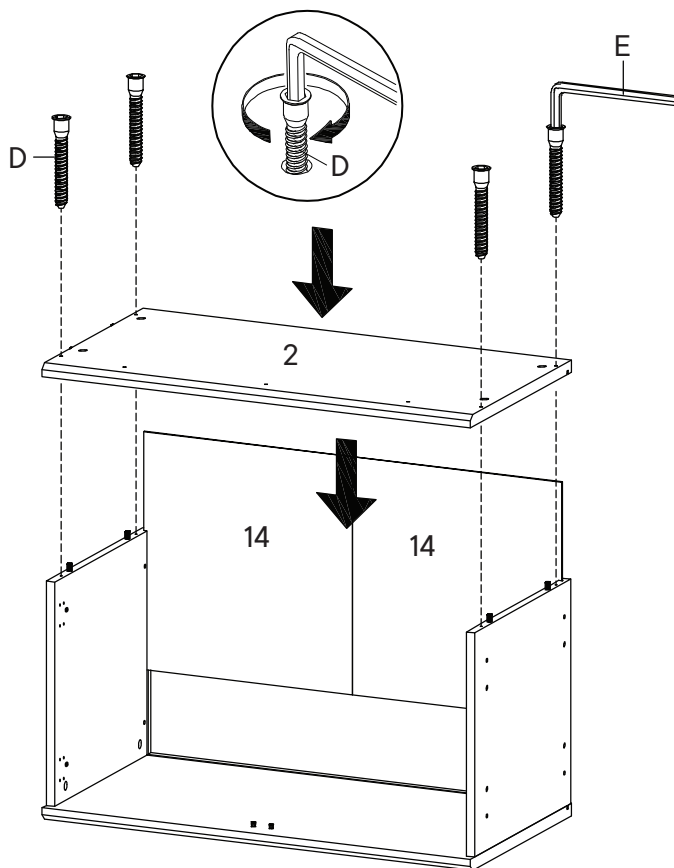
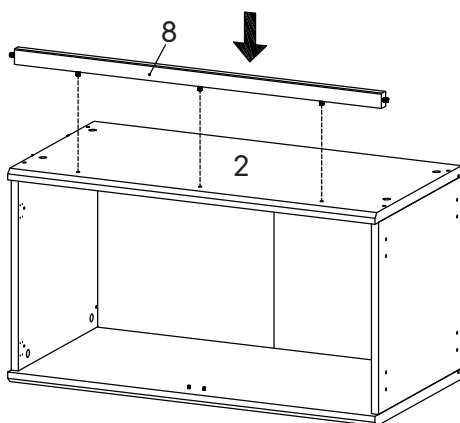
Step 7

HARDWARE

- D** Screw M 7 x 50 mm x4
- E** Allen Key x1

COMPONENTS

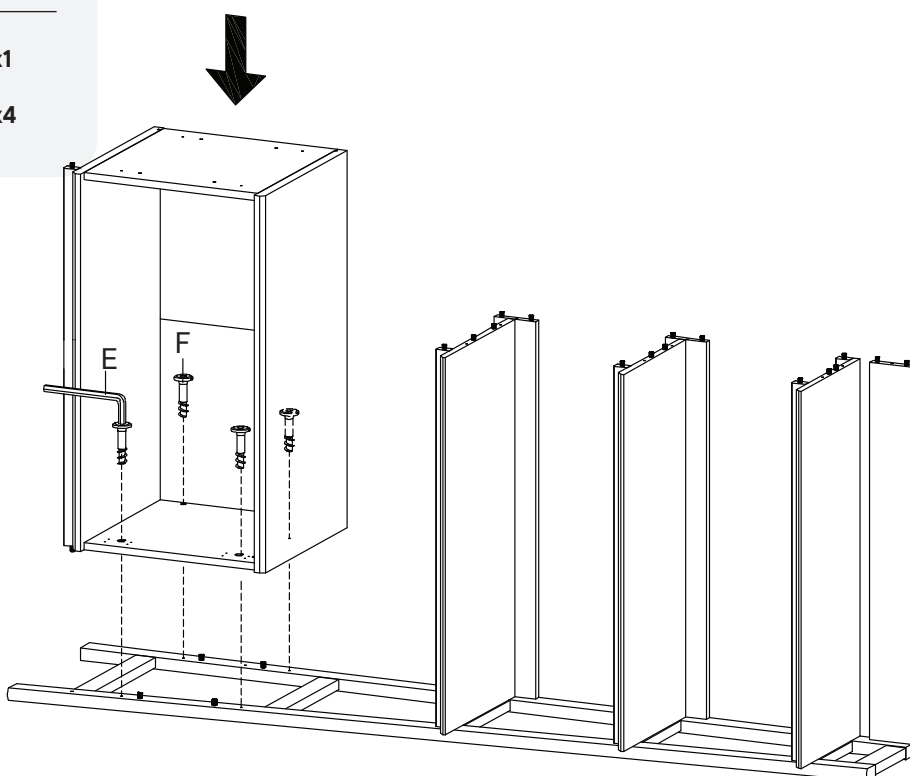
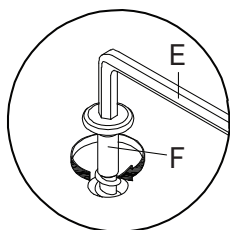
- 2** Bottom Board x1
- 8** Support Board 1 x1
- 14** Back Board x1



Step 8

HARDWARE

- E** Allen Key x1
- F** Screw M 6.4 x 25 mm x4



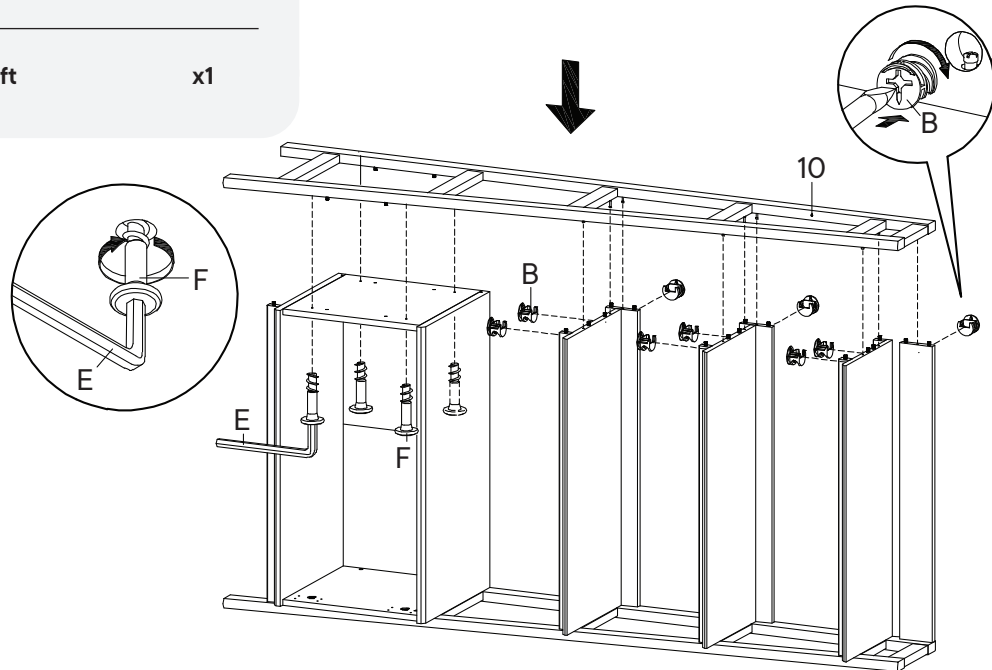
Step 9

HARDWARE

- B** Cam Lock Ø15 mm x9
- E** Allen Key x1
- F** Screw M 6.4 x 25 mm x4

COMPONENTS

- 10** Side Panel Left x1



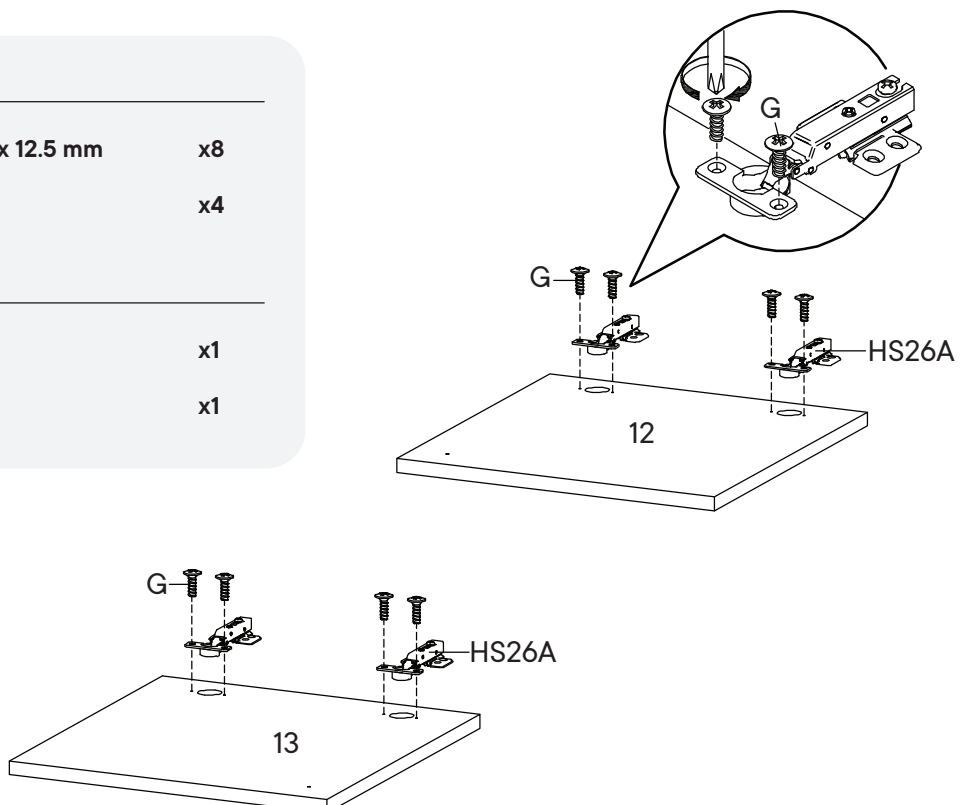
Step 10

HARDWARE

- G** Screw M 4.5 x 12.5 mm x8
- HS26A** Hinge x4

COMPONENTS

- 12** Door Left x1
- 13** Door Right x1



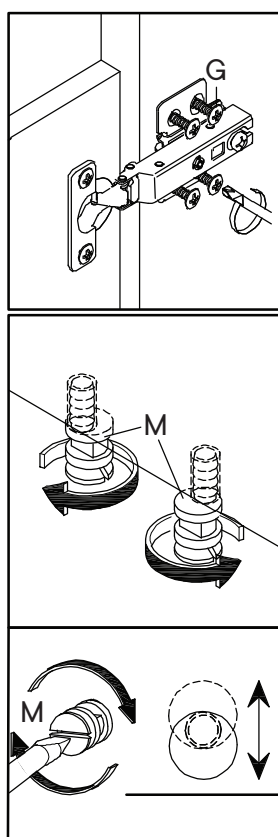
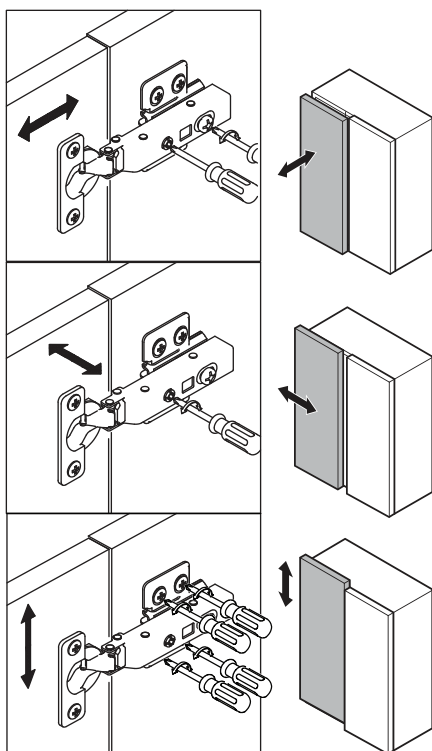
Step 11

HARDWARE

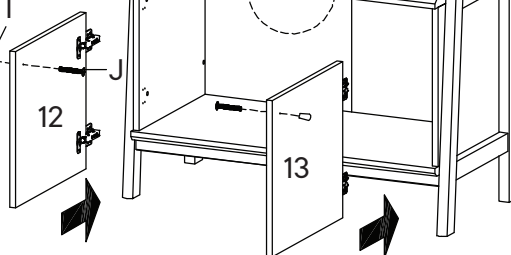
- G** Screw M 4.5 x 12.5 mm x16
- I** Handle x2
- J** Screw M 4 x 22 mm x2

COMPONENTS

- 12** Door Left x1
- 13** Door Right x1



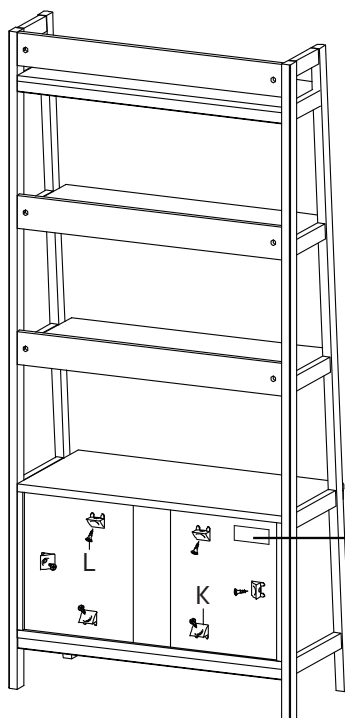
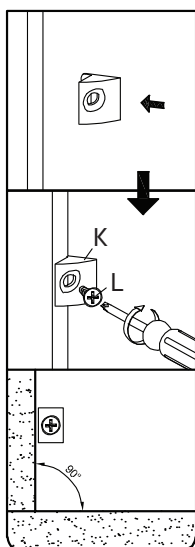
The door stopper position is adjustable (M). Please use screwdriver to adjust it as needed, so the doors are aligned when closed



Step 12

HARDWARE

- K** Wedge x6
- L** Screw M 3.5 x 15.5 mm x6



Great job!

Bookcase assembly is complete.

♥ CARING FOR YOUR ITEM

Indoor use only.

Not contract grade.

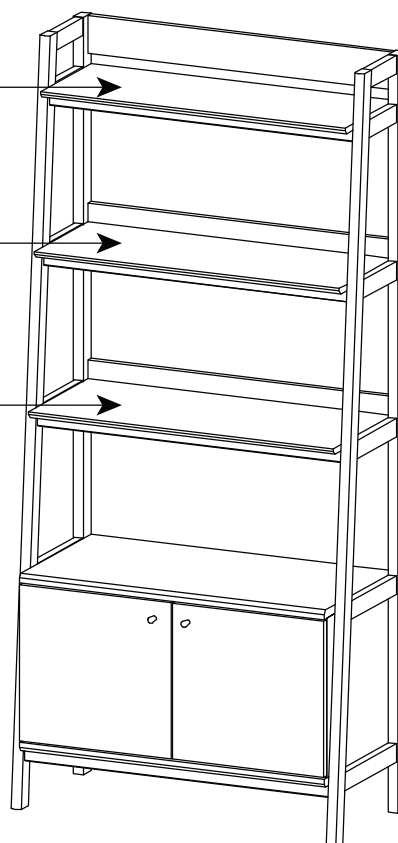
Clean using a non-abrasive cloth and a mild cleaner.

Never use harsh chemicals, as they could damage the finish or integrity of the item.

Max 10Kgs

Max 10Kgs

Max 10Kgs



CONNECT WITH US!   

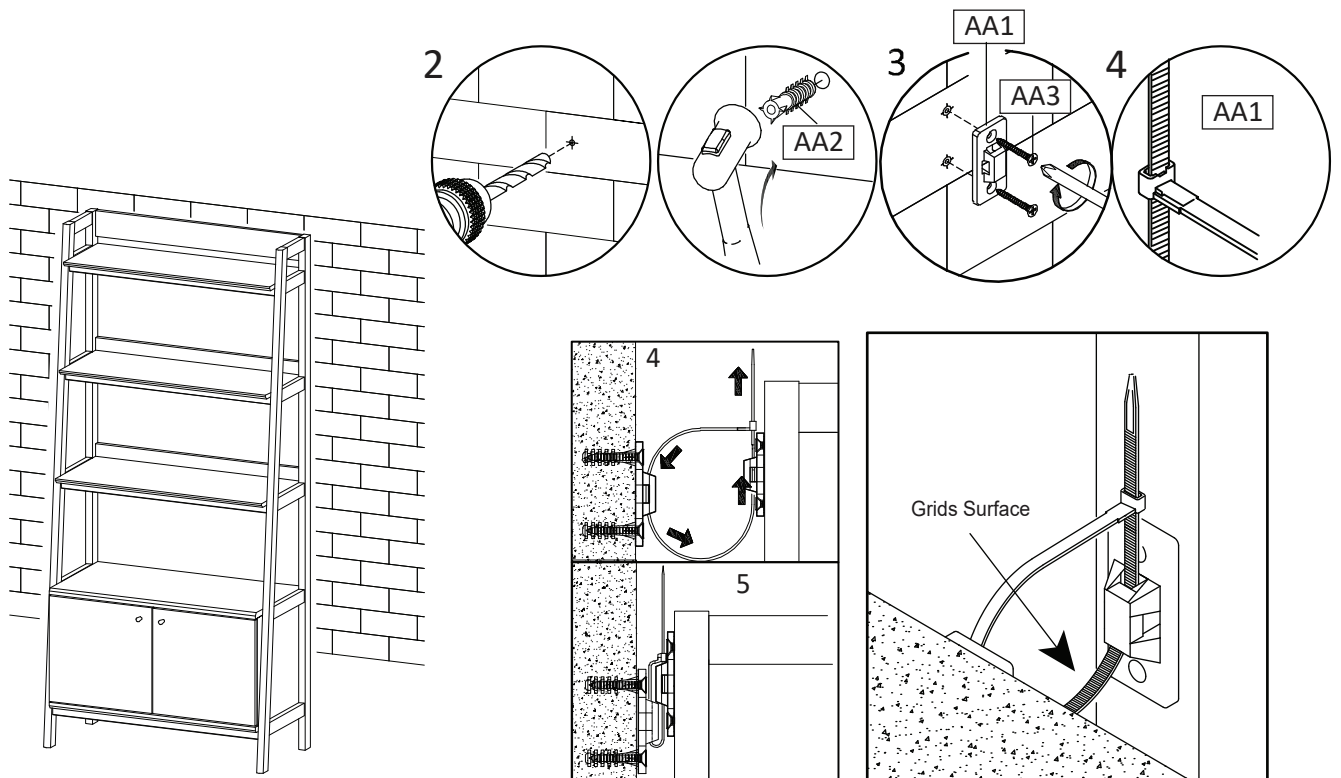
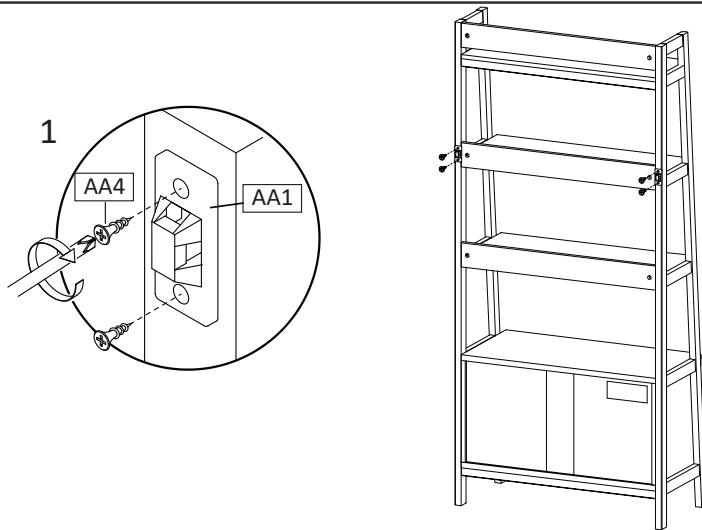
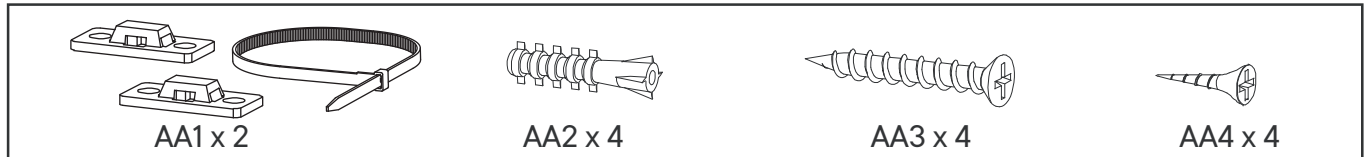
Tag us @modway_furniture and #modway for a chance to be featured.

TIPPING RESTRAINTS KIT INSTALLATION GUIDANCE

Different wall materials require unique wall fasteners.

The wall plugs (AA2) and screws (AA3) are designed for fixing to concrete walls only.

Please consult your local hardware store to ensure you are using the correct hardware for you wall type.



Installation Instructions :

1. Attach bracket (AA1) securely to the back top of the furniture using screw (AA4) provided. Allow 8 - 10 cm from each side.
2. Please make a hole for wall plugs position on the wall and minimum 15 mm below bracket secured to the back of unit attach the wall plugs (AA2).
3. Locate the other bracket (AA1) on the wall over wall plugs (AA2). Place furniture into position so both brackets (AA1) are vertically in the line.
4. Lace the end of the restraints strap through the larger hole in each bracket. Ensure the restraints strap with grids surface facing the inner loops. Bring both ends together and slide the flat end through the locking end and draw it through until all slack is removed.
5. Make sure that the strap is securely laced & locked.