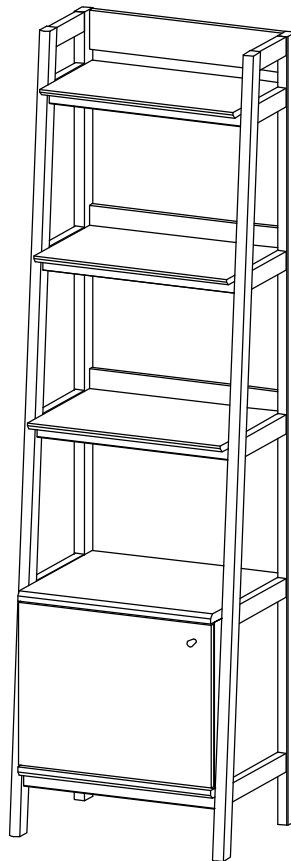


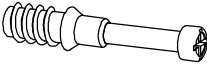

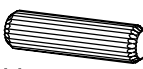
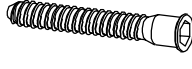

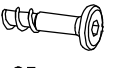
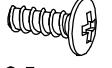






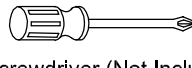
Thank you for purchasing the **MODWAY BOOKCASE** !

Before you start, here are some helpful advice:

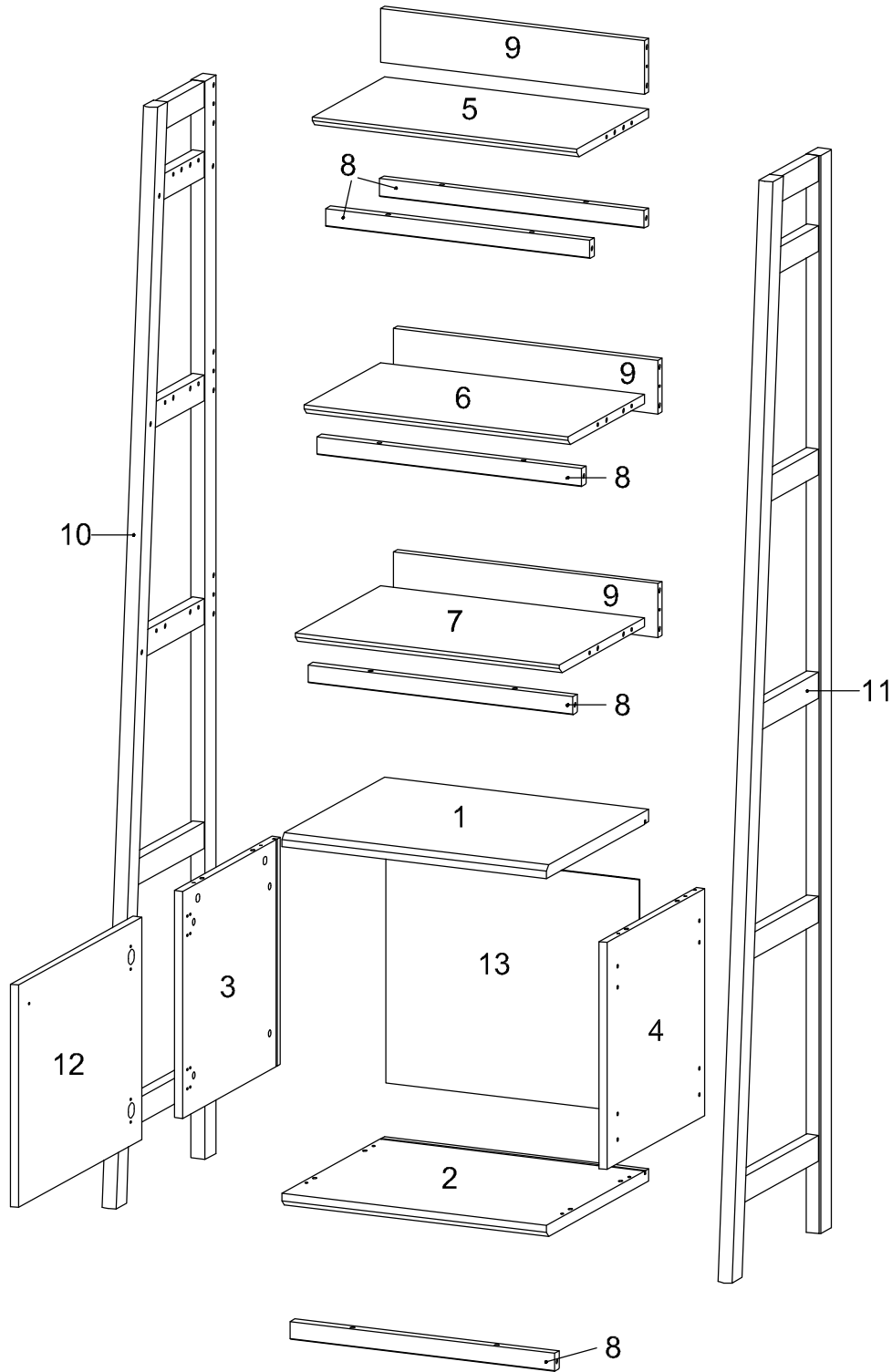
1. We suggest you spend a short time reading through this leaflet and then follow the simple step-by-step instructions.
2. Owing to the size and weight of the Bookcase, we recommend that it is assembled by two adults, on a carpeted or padded area, in the room that it is intended for. Approximate assembly time: 60 minutes.
3. Please do not use any tools other than those Provided or recommended in these instructions.
4. Please do not throw away any of the packaging or instructions until you have checked all the components and hardware and the furniture is fully assembled.
5. Assemble all components loosely until advised to tighten. Depending on use, it may be necessary to tighten the components from time to time, so please save the tools that have been provided.
6. Please keep all pieces out of reach of children.



Hardware :

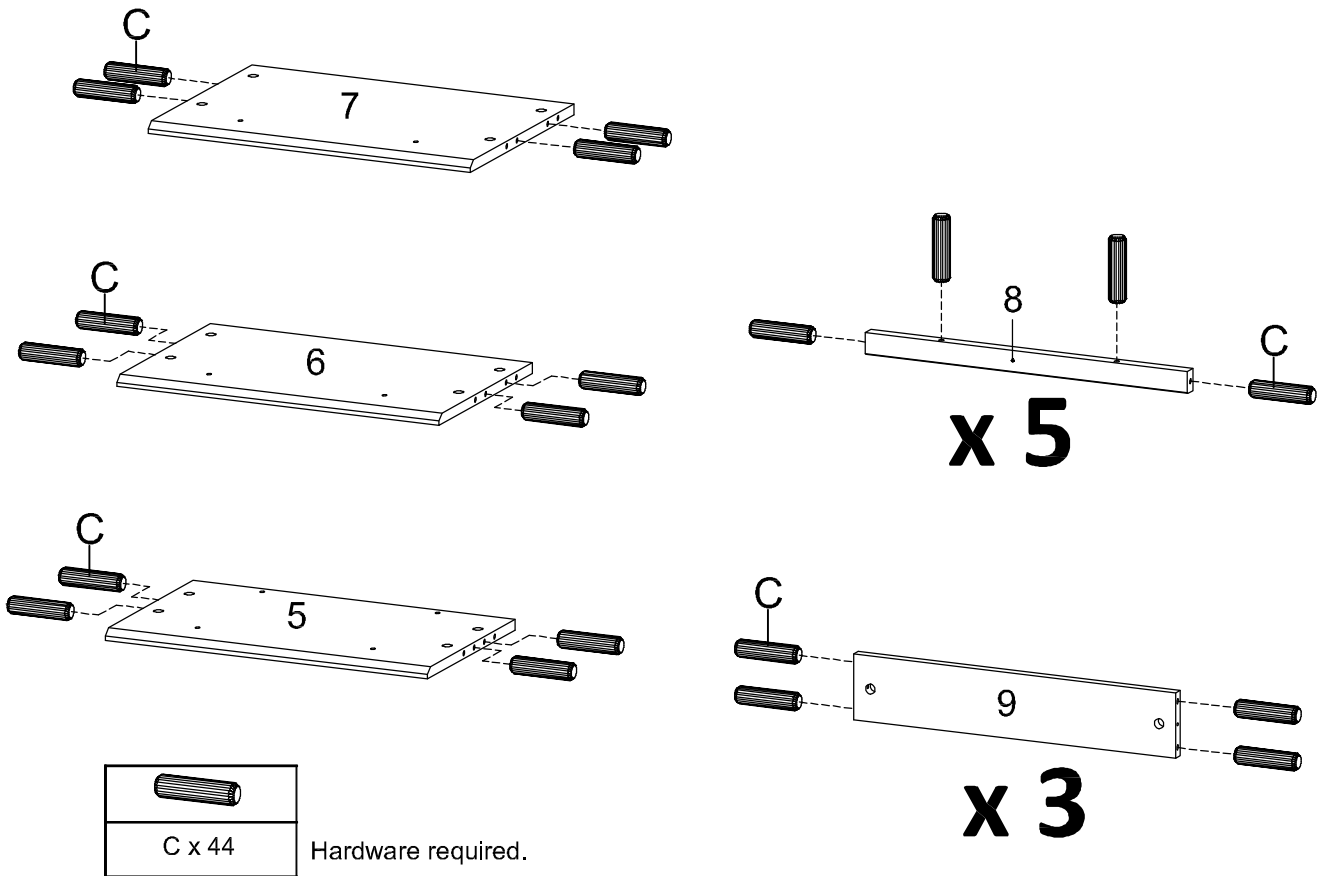
| | | | | |
|---|---|--|--|---|
| A) Cambolt /Metal  \varnothing 6 x 35 mm x 22 | B) CamLock /Metal  \varnothing 15 mm x 22 | C) Dowel /Wood  \varnothing 8x30 mm x 60 | D) Screw/Metal  M 7 x 50 mm x 4 | E) Hex/Allen Key/Metal  L 4 x 1 |
| F) Screw/Metal  M 6.4 x 25 mm x 8 | G) Screw/Metal  M 4.5 x 12.5 mm x 12 | H) Hinge set/Metal  x 2 | I) Handle/Metal  x 1 | J) Screw/Metal  M 4 x 22 mm x 1 |
| K) Wedge/Plastic  x 4 | L) Screw/Metal  M 3.5 x 15.5 mm x 4 | M) Floor Protector/Sponge/Felt  25 x 25 x 2 mm x 4 | N) Screwdriver (Not Include)  x 1 | |

Components:

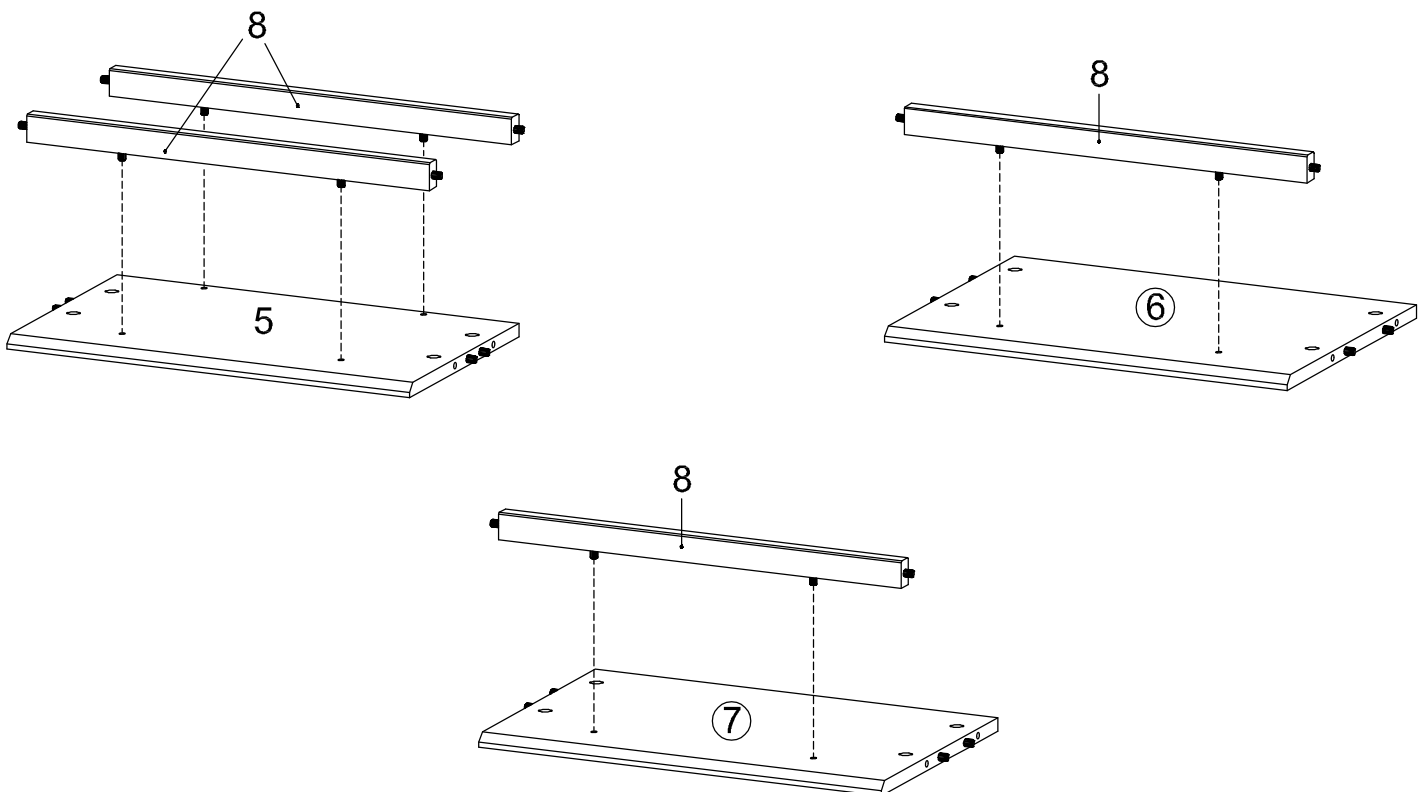


| | | | | | | | |
|-------------------|----|--------------------|----|---------------------|----|--------------------|----|
| 1 Top Board | x1 | 2 Bottom Board | x1 | 3 Side Board Left | x1 | 4 Side Board Right | x1 |
| 5 Fixed Shelf 1 | x1 | 6 Fixed Shelf 2 | x1 | 7 Fixed Shelf 3 | x1 | 8 Support Board 1 | x5 |
| 9 Support Board 2 | x3 | 10 Side Panel Left | x1 | 11 Side Panel Right | x1 | 12 Door | x1 |
| 13 Back Board | x1 | | | | | | |

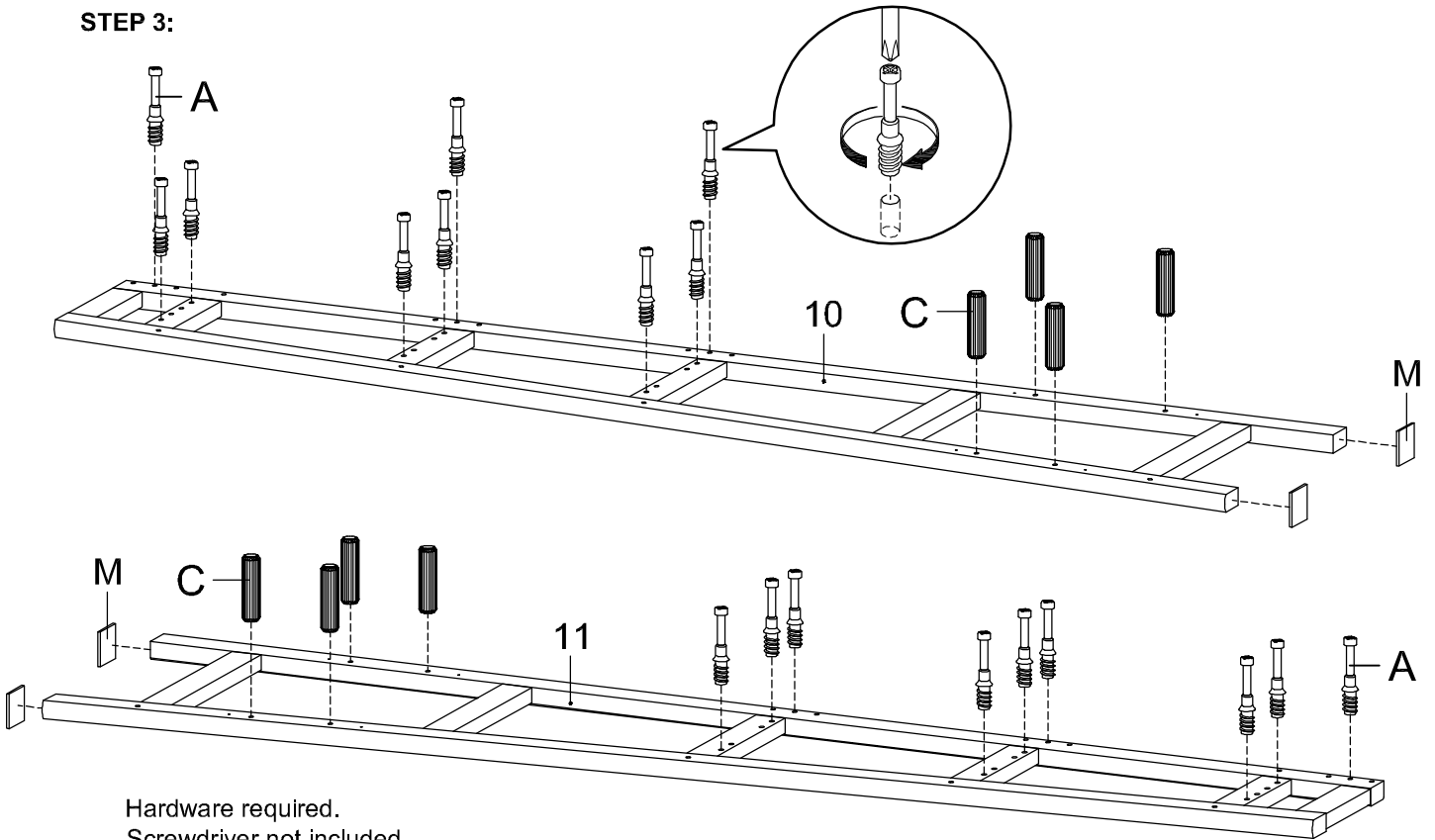
STEP 1:



STEP 2:



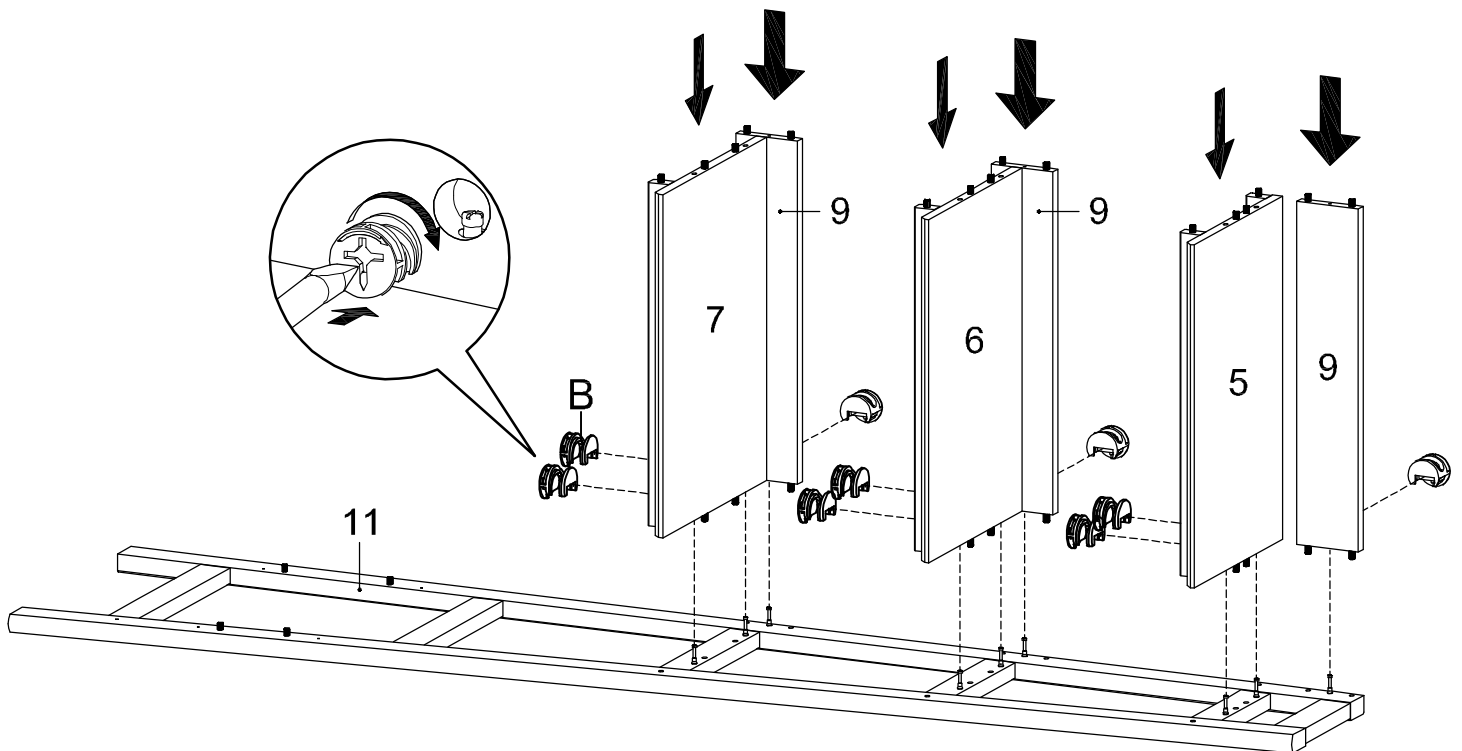
STEP 3:



Hardware required.
Screwdriver not included

| | | | |
|--------|-------|-------|-------|
| | | | |
| A x 18 | C x 8 | M x 4 | N x 1 |

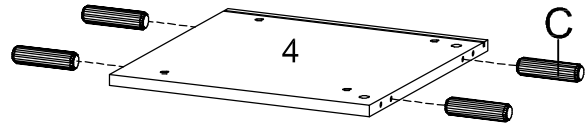
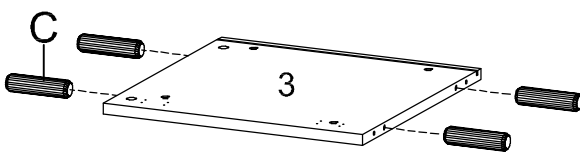
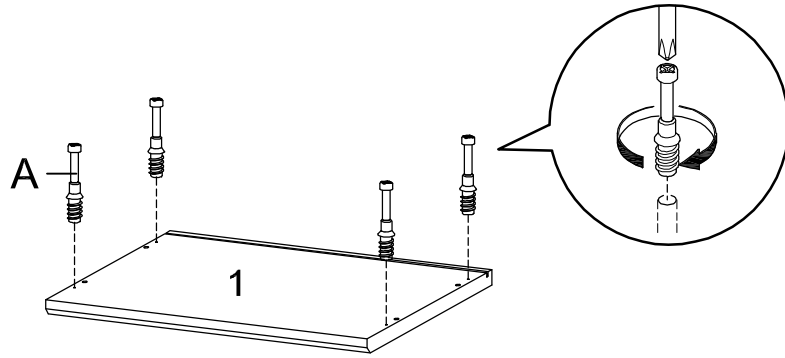
STEP 4:



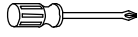


| | |
|-------|-------|
| | |
| B x 9 | N x 1 |

Hardware required.
Screwdriver not included

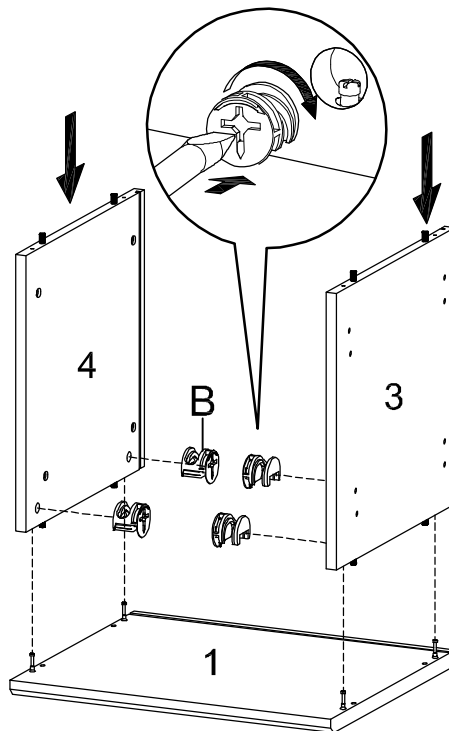
STEP 5:


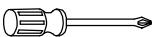


| | | |
|---|---|---|
|  |  |  |
| A x 4 | C x 8 | N x 1 |

Hardware required.
Screwdriver not included

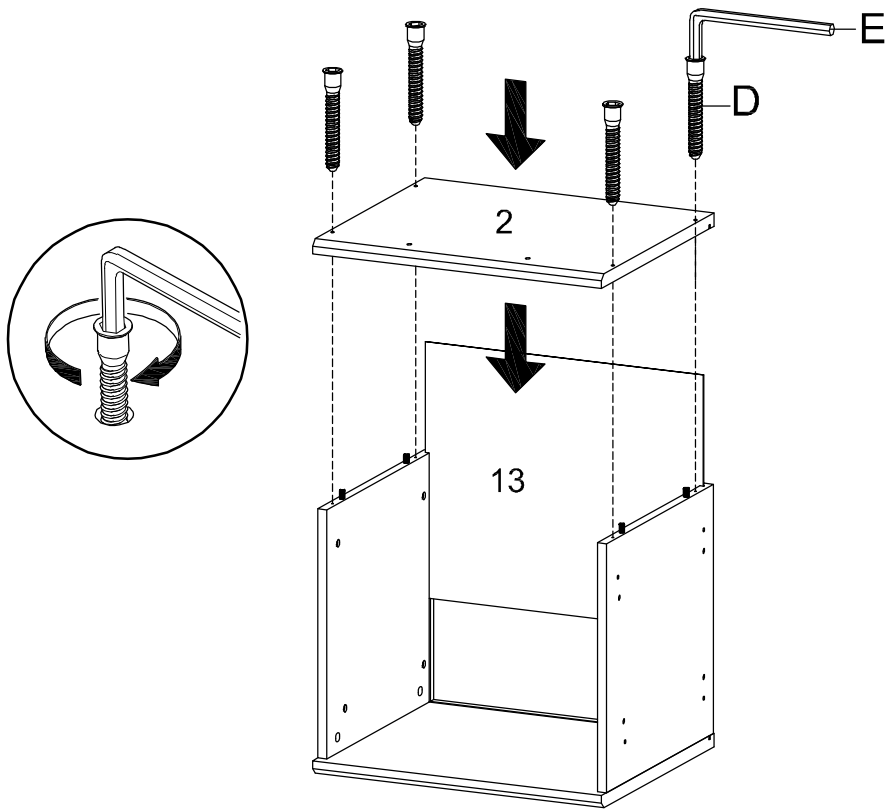
STEP 6:





| | |
|---|---|
|  |  |
| B x 4 | N x 1 |

Hardware required.
Screwdriver not included

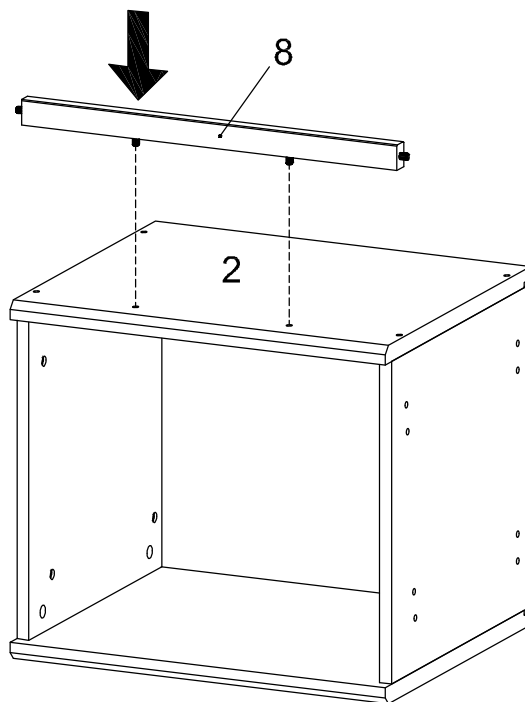
STEP 7:



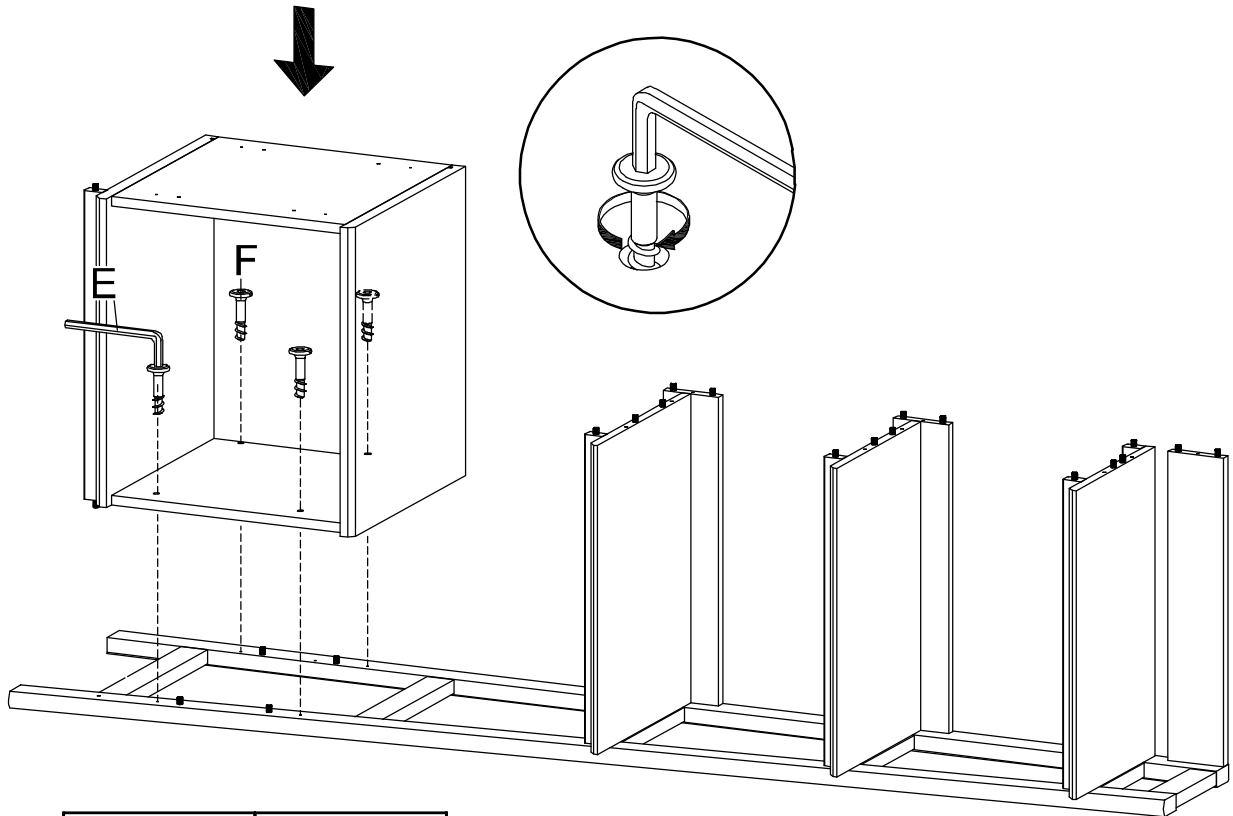
| | |
|---|---|
|  |  |
| D x 4 | E x 1 |



Hardware required.

STEP 8:



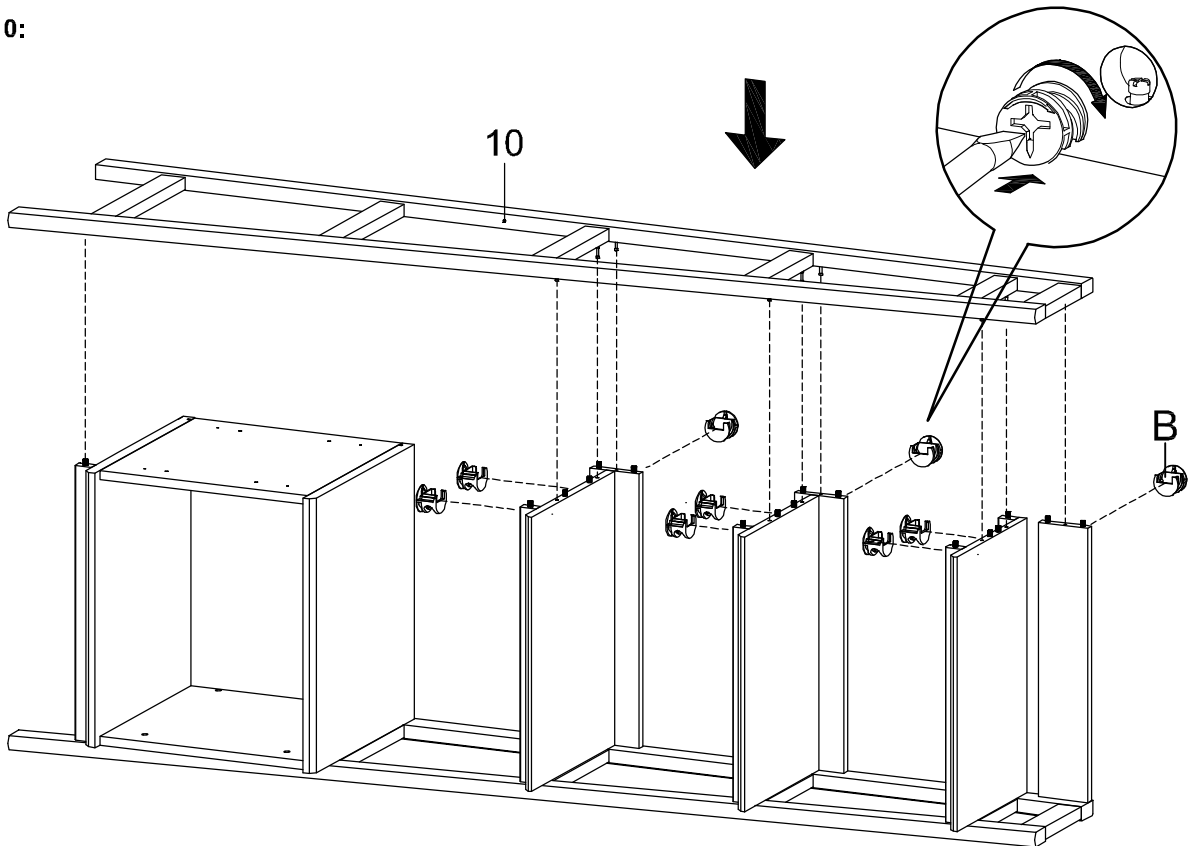
STEP 9:


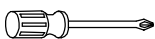


| | |
|---|---|
|  |  |
| E | F x 4 |

Hardware required.

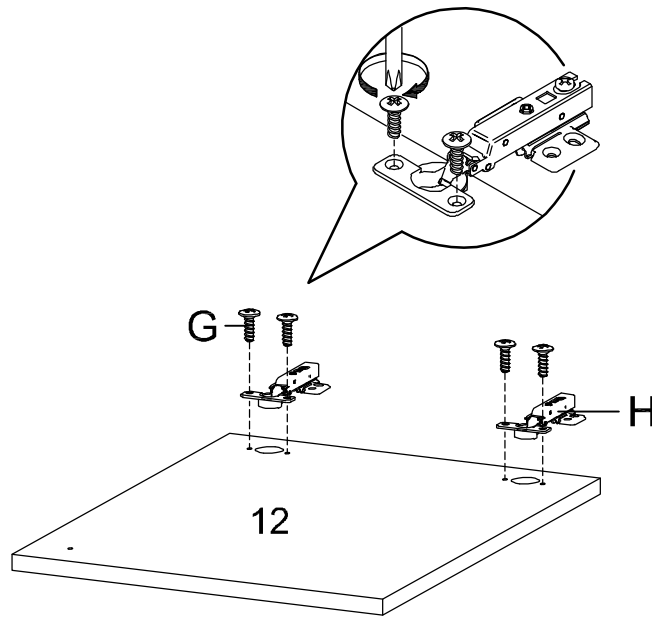
STEP 10:



| | |
|---|---|
|  |  |
| B x 9 | N x 1 |

Hardware required.
Screwdriver not included

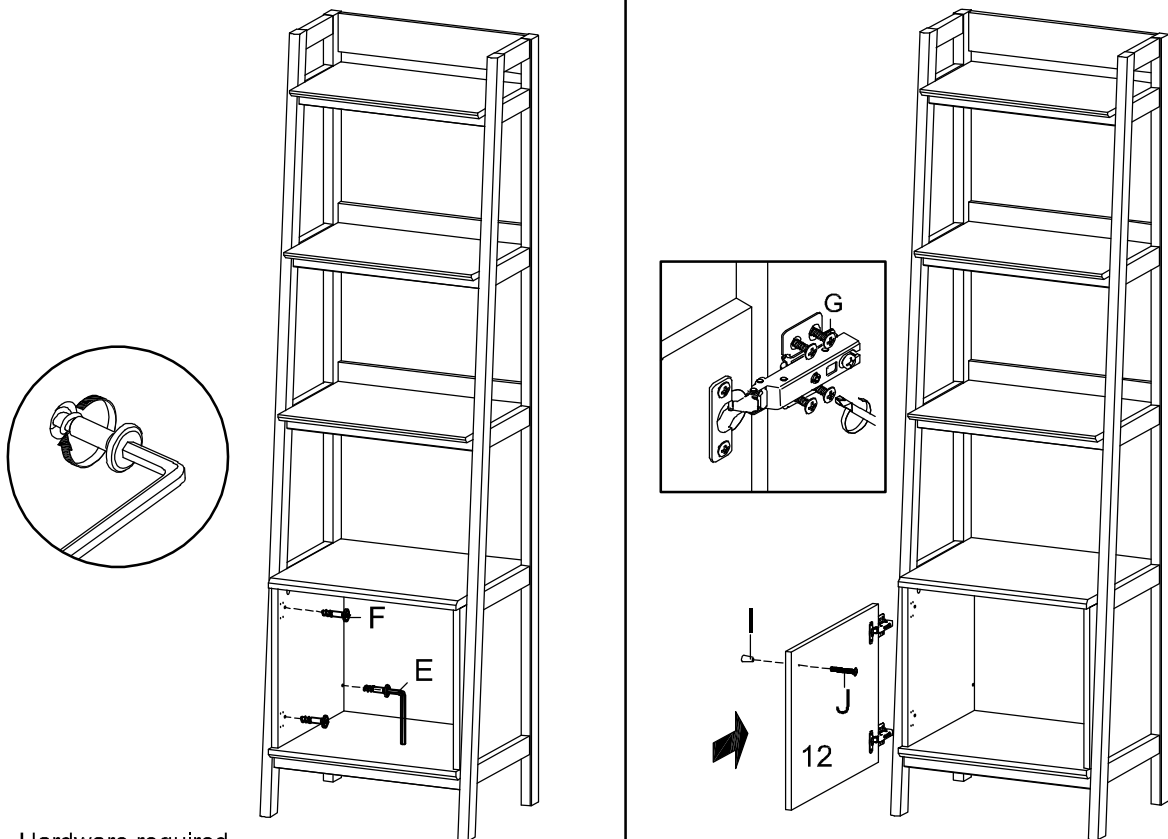
STEP 11:



| | | |
|-------|-------|-------|
| | | |
| G x 4 | H x 2 | N x 1 |

Hardware required.
Screwdriver not included

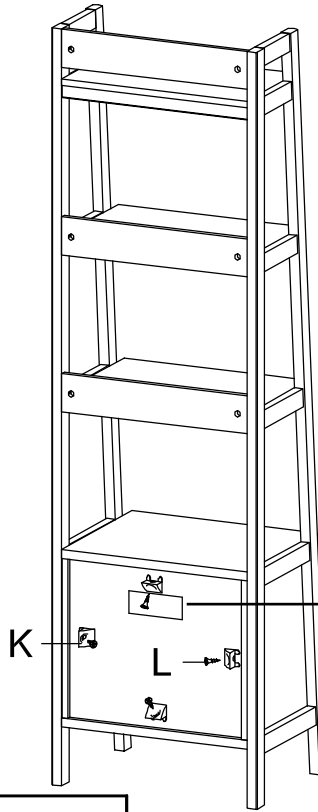
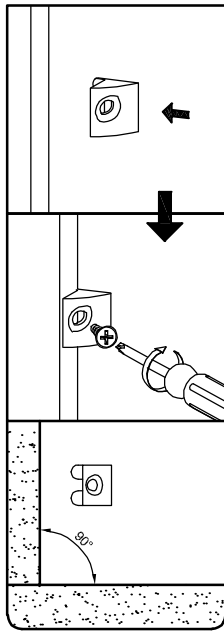
STEP 12:



Hardware required.
Screwdriver not included

| | | | | | |
|-------|-------|-------|-------|---|-------|
| | | | | | |
| F x 4 | G x 8 | I x 1 | J x 1 | E | N x 1 |

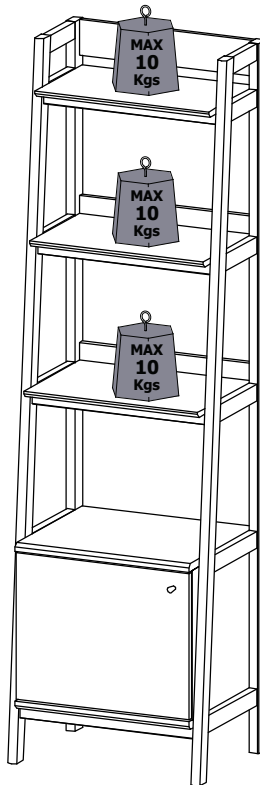
STEP 13:



| | | |
|-------|-------|-------|
| | | |
| K x 4 | L x 4 | N x 1 |

Hardware required.
Screwdriver not included

STEP 14:



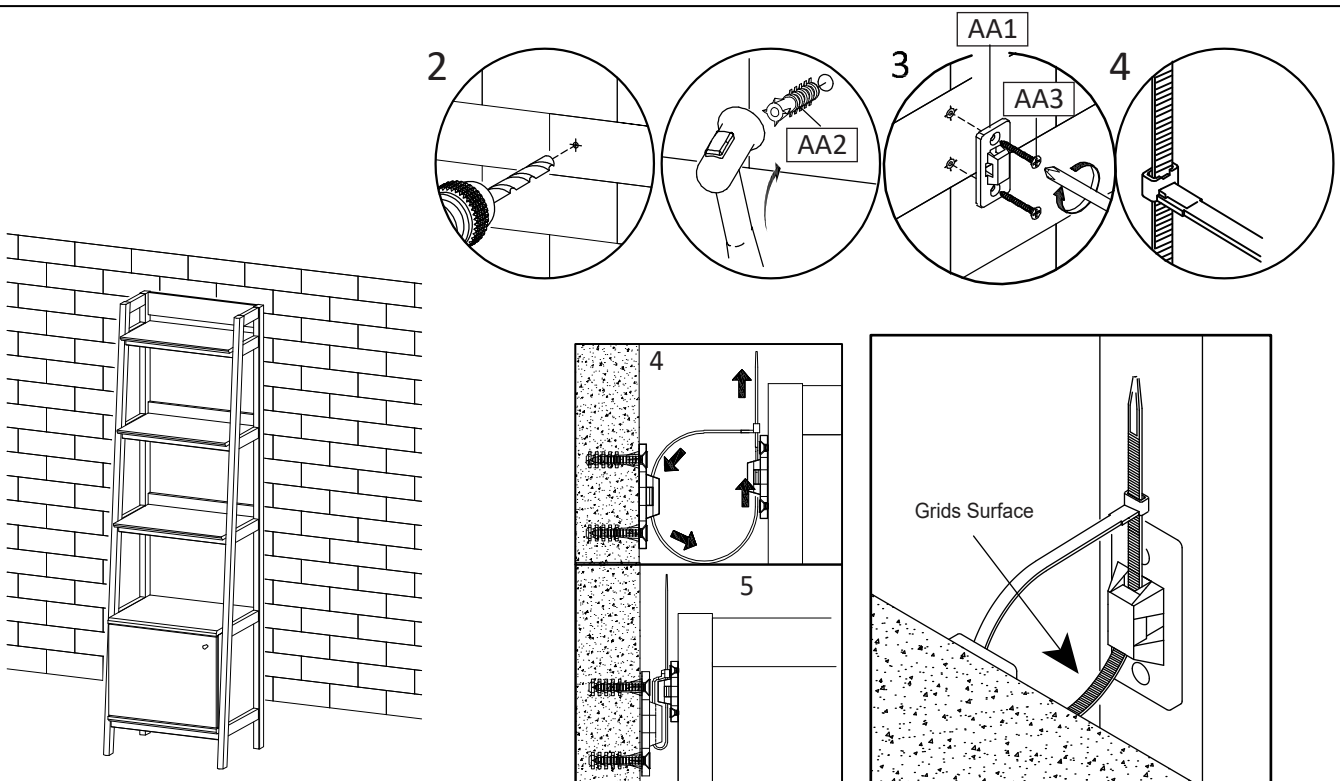
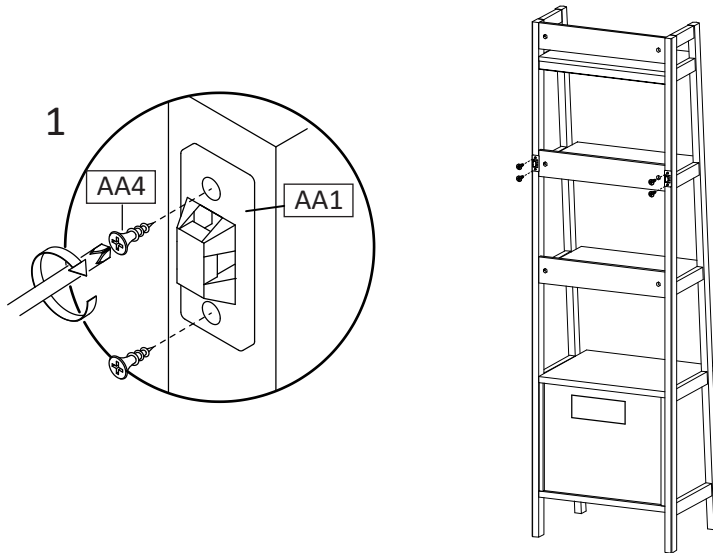
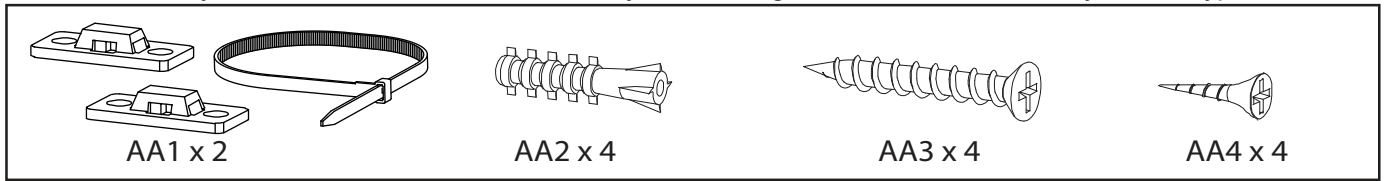
Assembly is complete. The Bookcase is ready to enjoy now!

TIPPING RESTRAINTS KIT INSTALLATION GUIDANCE

Different wall materials require unique wall fasteners.

The wall plugs (AA2) and screws (AA3) are designed for fixing to concrete walls only.

Please consult your local hardware store to ensure you are using the correct hardware for your wall type.











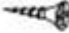










Installation Instructions :

1. Attach bracket (AA1) securely to the back top of the furniture using screw (AA4) provided. Allow 8 - 10 cm from each side.
2. Please make a hole for wall plugs position on the wall and minimum 15 mm below bracket secured to the back of unit attach the wall plugs (AA2).
3. Locate the other bracket (AA1) on the wall over wall plugs (AA2). Place furniture into position so both brackets (AA1) are vertically in the line.
4. Lace the end of the restraints strap through the larger hole in each bracket. Ensure the restraints strap with grids surface facing the inner loops. Bring both ends together and slide the flat end through the locking end and draw it through until all slack is removed.
5. Make sure that the strap is securely laced & locked.

MARCH DESK



Hardware

| | | | | | | | |
|---|------|---|------|--|------|---|------|
| A | x 38 | B | x 34 | C | x 4 | D | x 53 |
|  | |  | |  | |  | |
| E | x 4 | F | x 10 | G | x 1 | H | x 8 |
|  | |  | |  | |  | |
| I | x 8 | J | x 2 | K | x 16 | L | x 12 |
|  | |  | |  | |  | |
| M | x 8 | N | x 2 | O | x 1 | P | x 6 |
|  | |  | |  | |  | |
| Q | x 2 | R | x 2 | S | x 4 | T | x 4 |
|  | |  | |  | |  | |



SET-UP TIME : 120 MINUTES

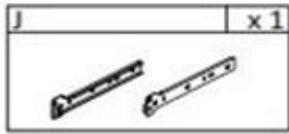
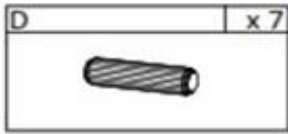
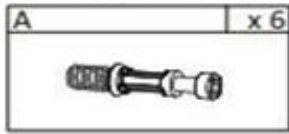
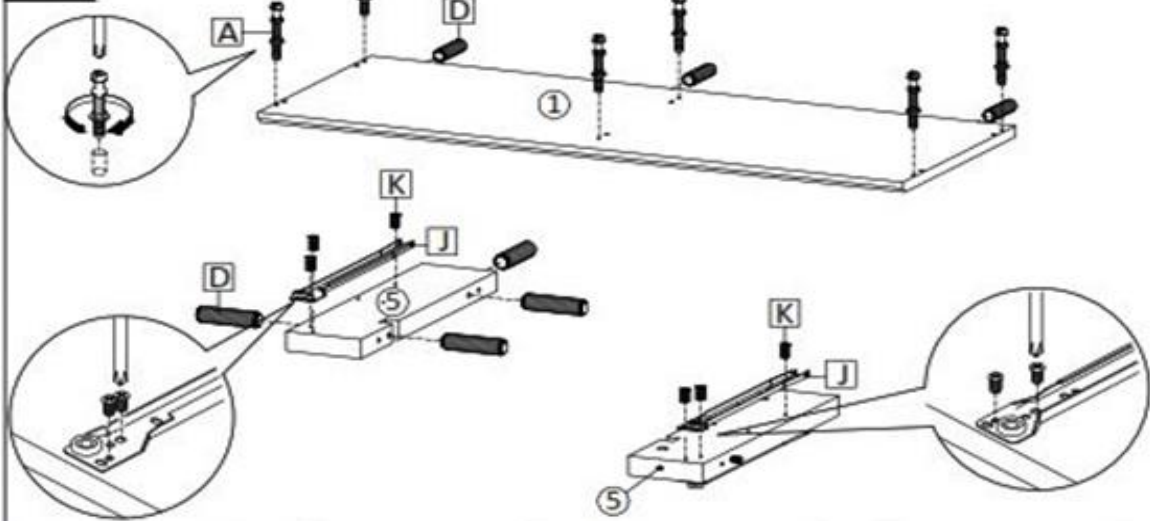


NUMBER OF PERSONS : 02

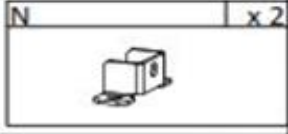
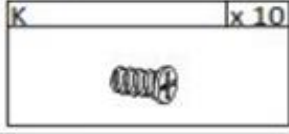
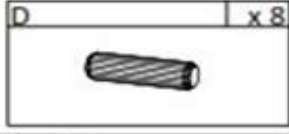
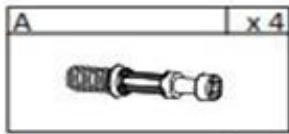
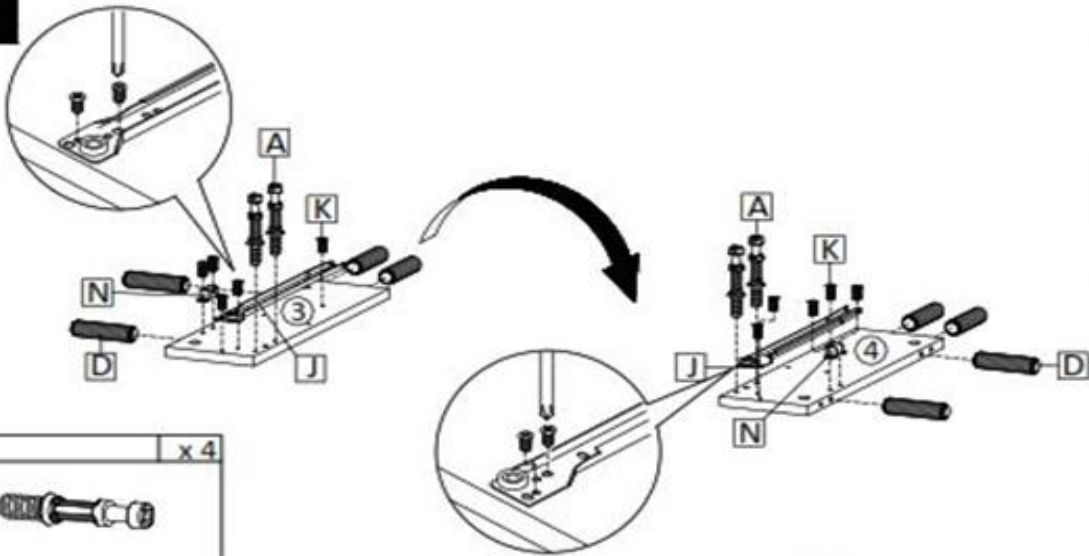


TOOLS :

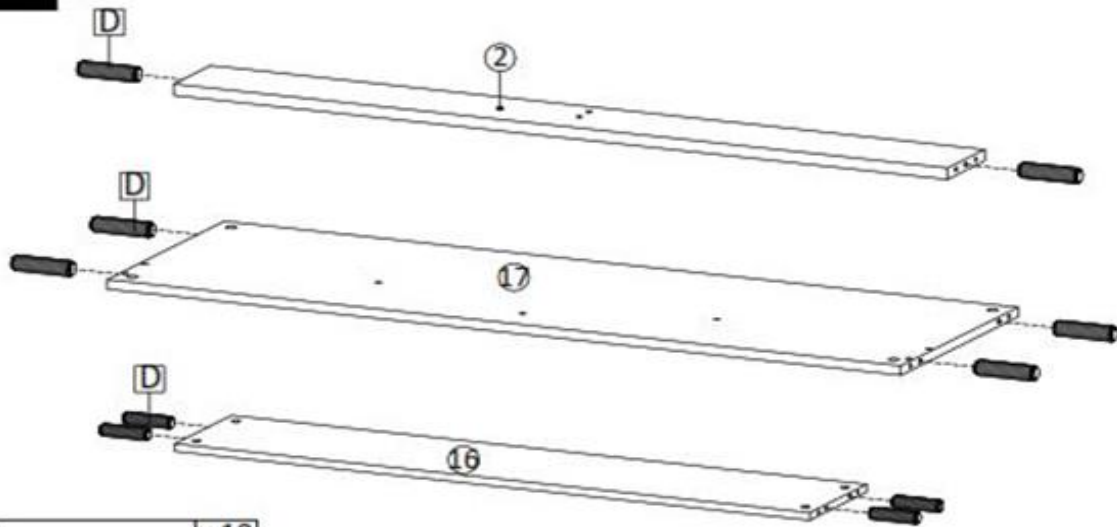
1



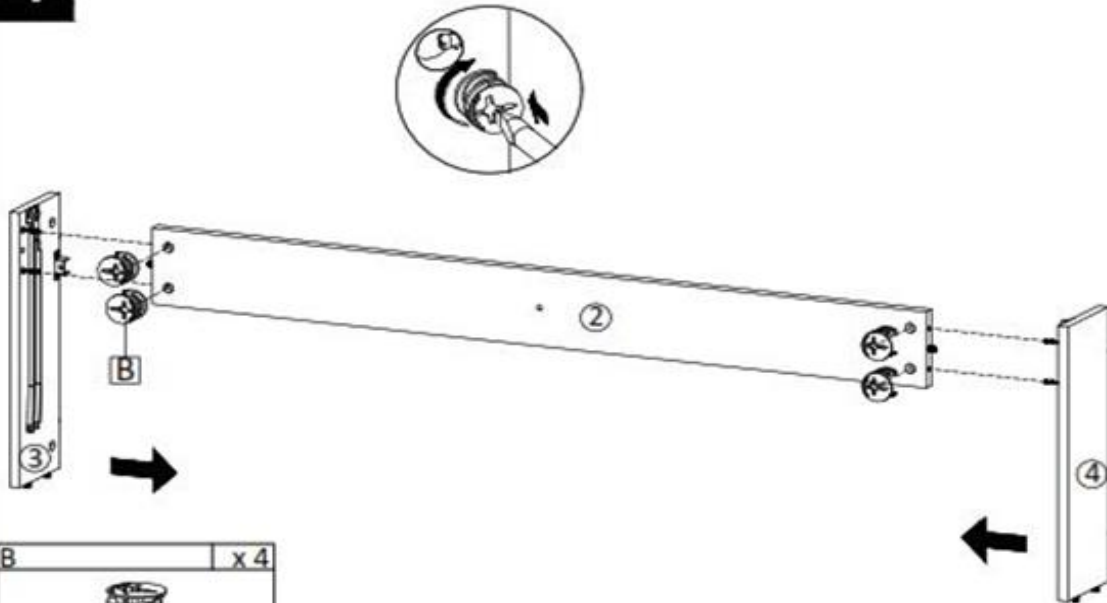
2



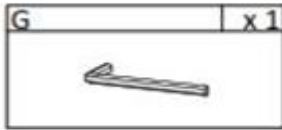
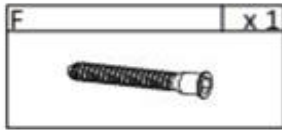
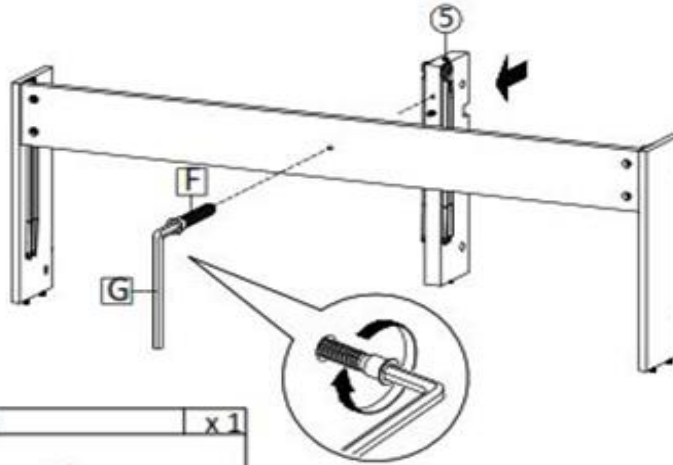
3



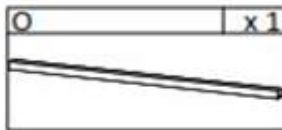
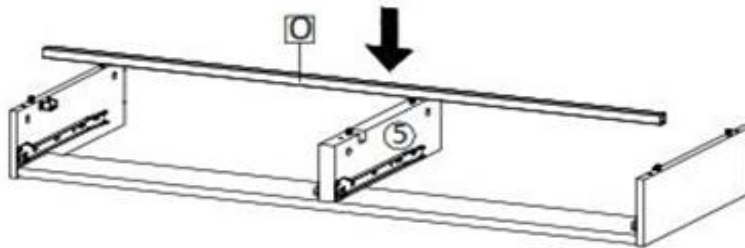
4



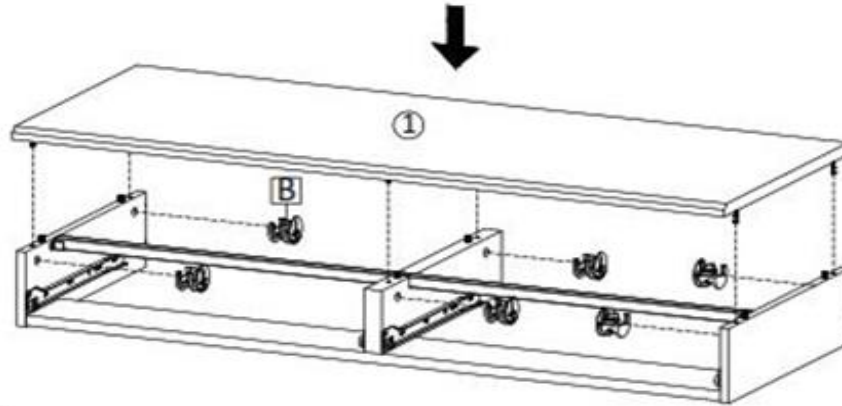
5



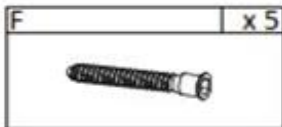
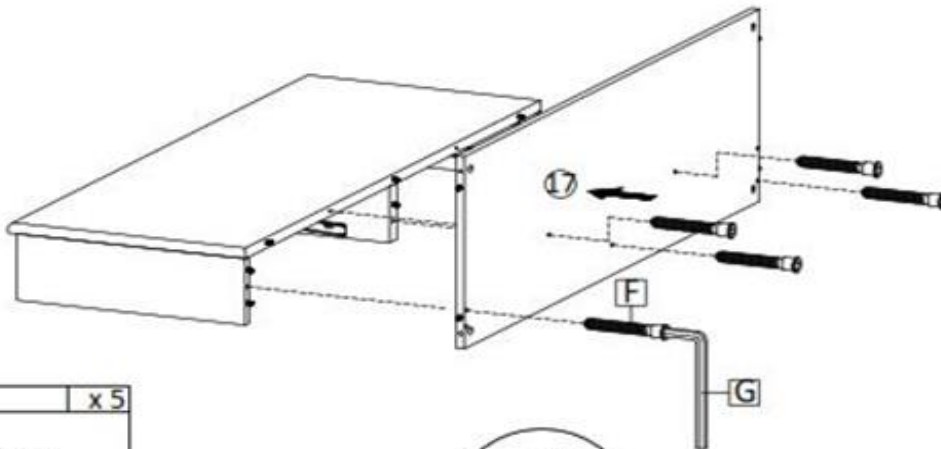
6



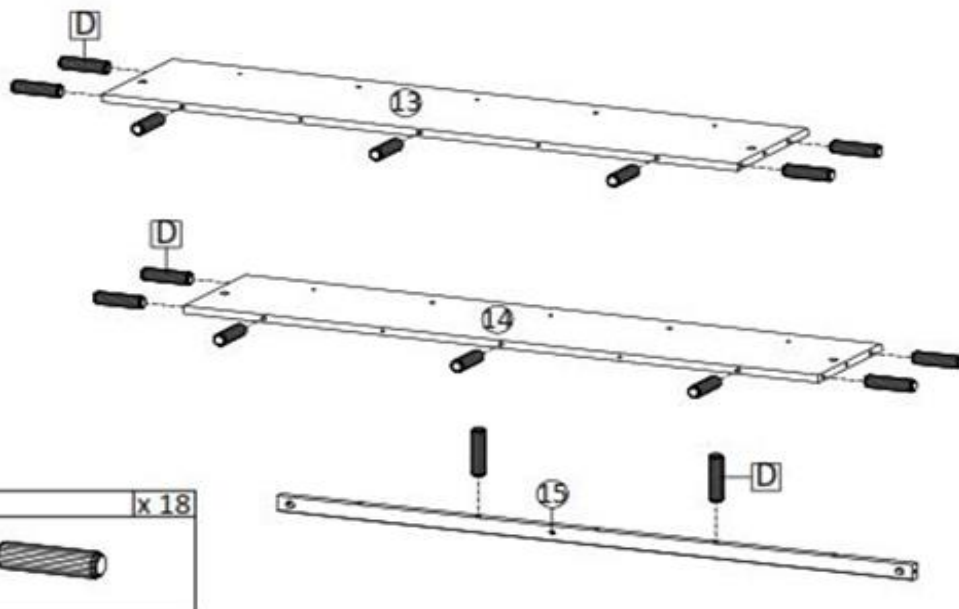
7



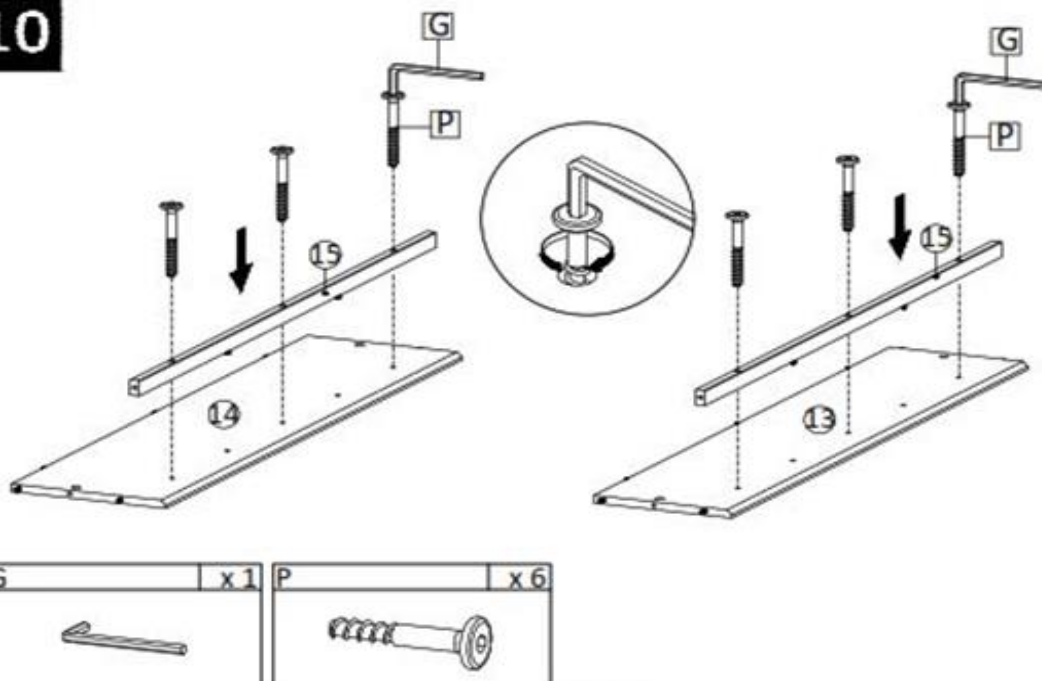
8



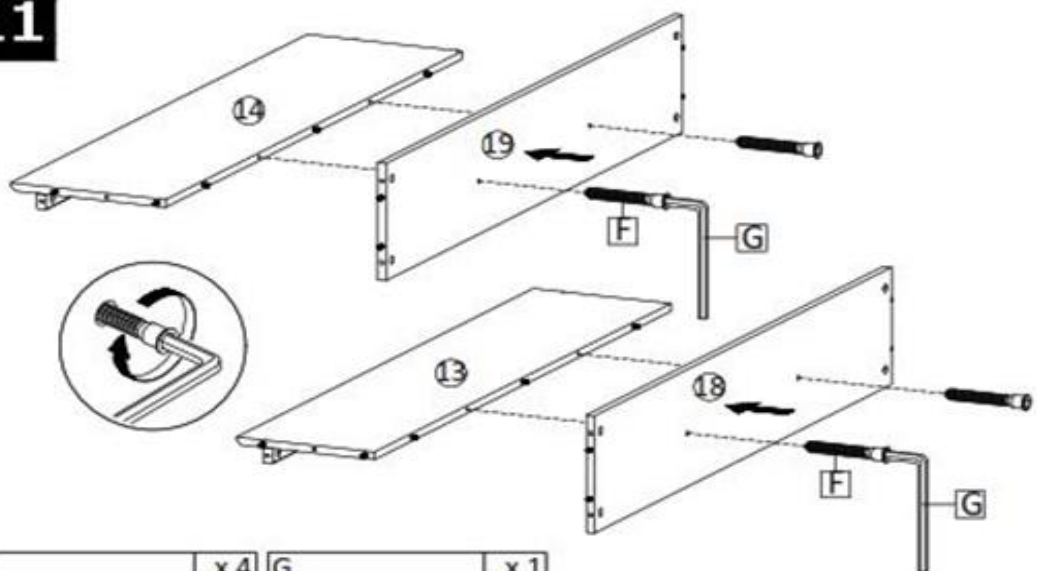
9





10

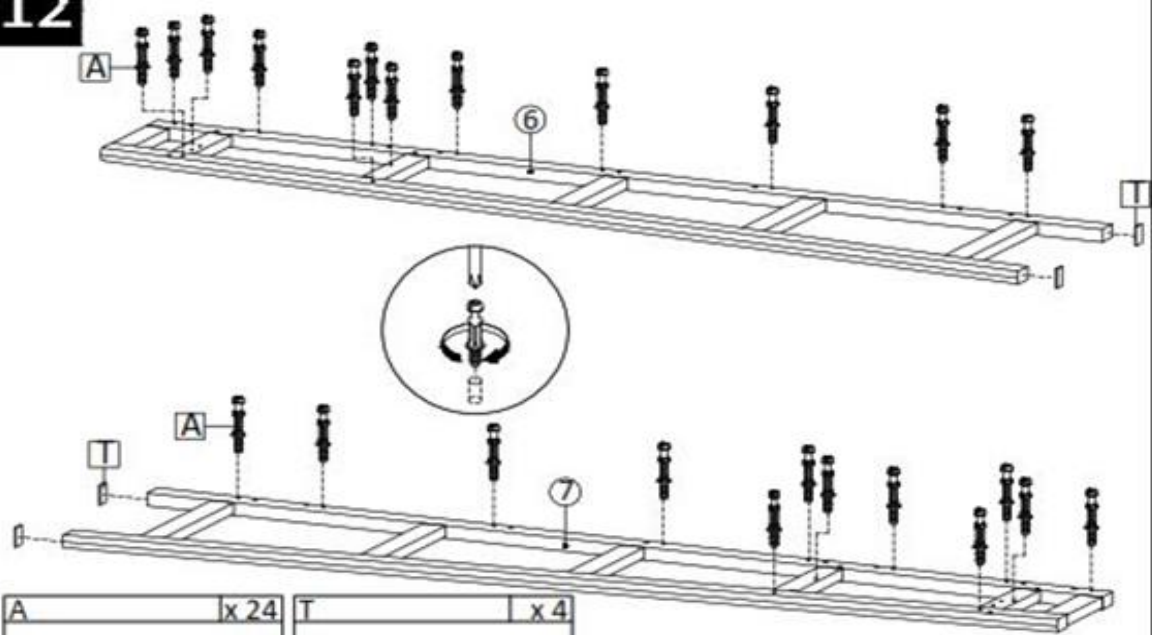



11



| | | | |
|---|-----|---|-----|
| F | x 4 | G | x 1 |
|  | |  | |

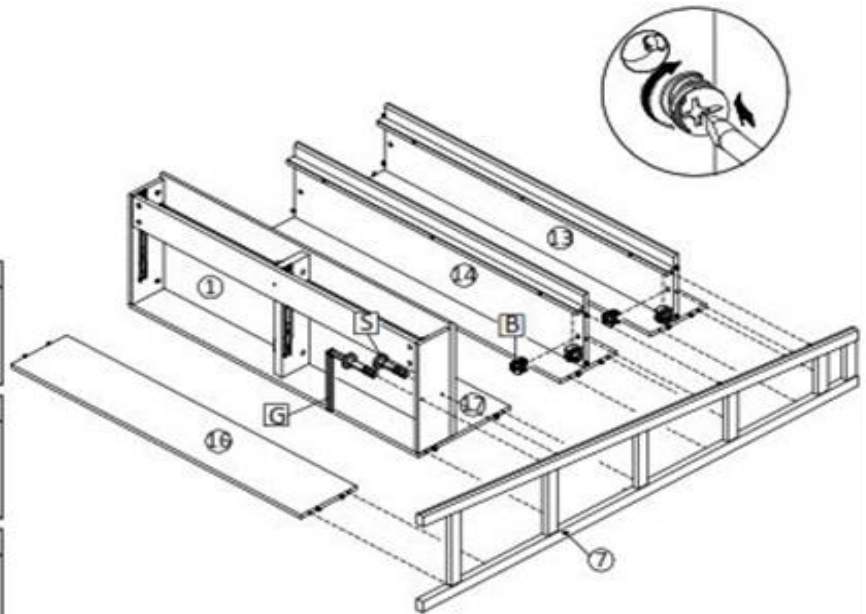
12



| | | | |
|---|------|---|-----|
| A | x 24 | T | x 4 |
|  | |  | |

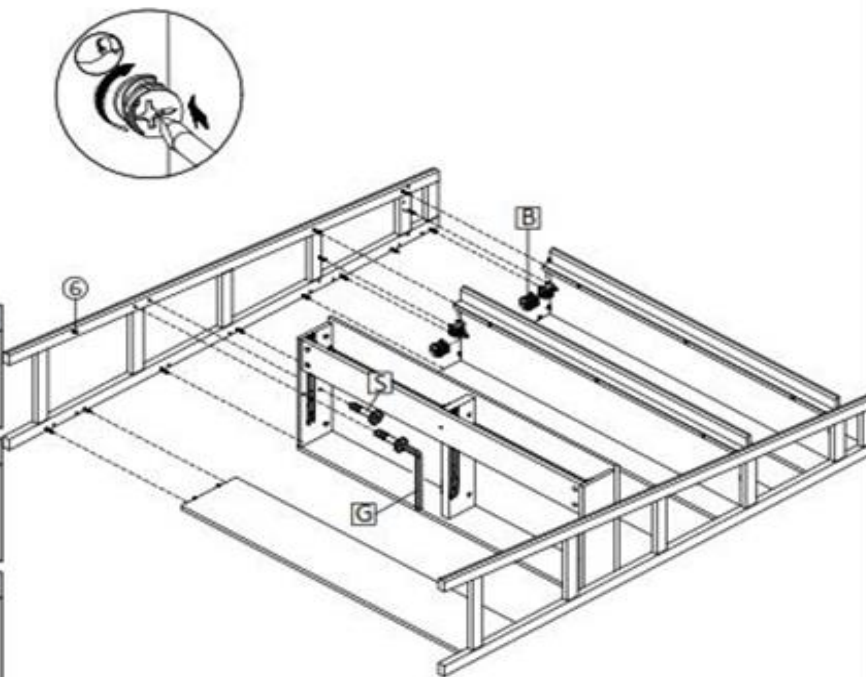
13

- B x 4
- G x 1
- S x 2

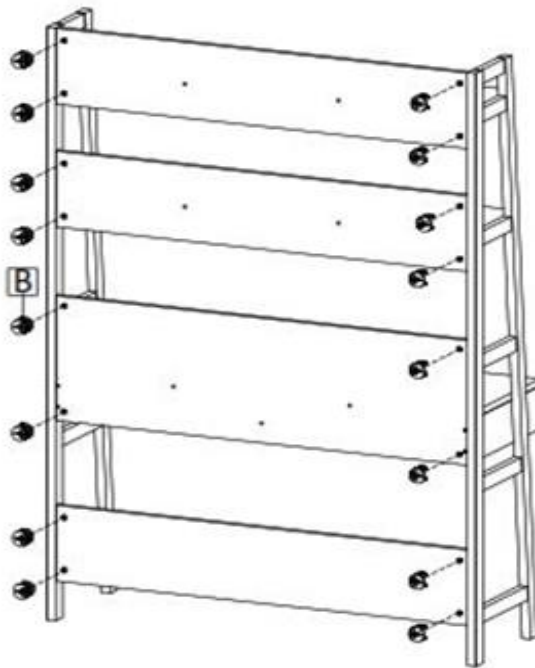


14

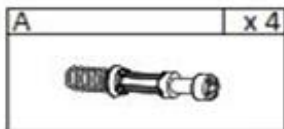
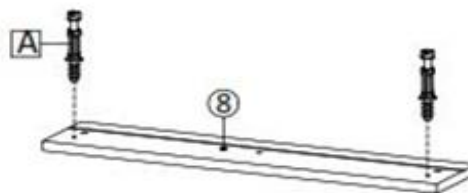
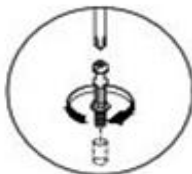
- B x 4
- G x 1
- S x 2



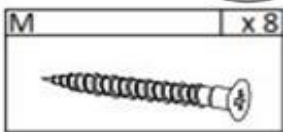
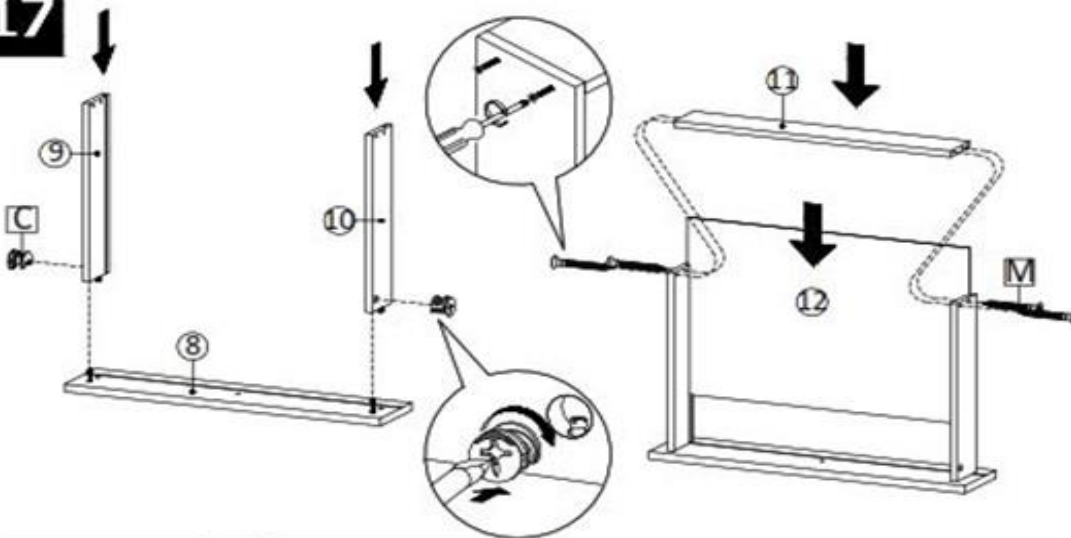
15



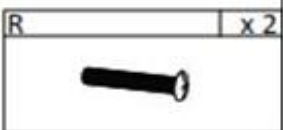
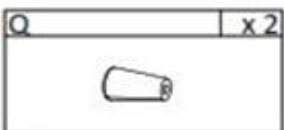
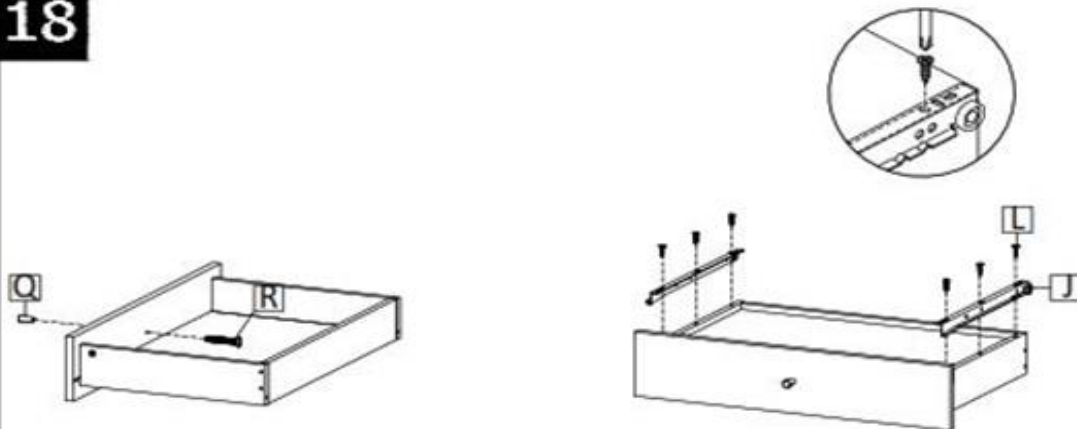
16



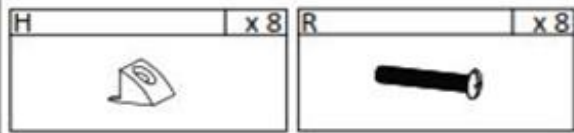
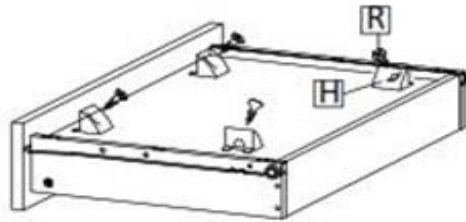
17



18



19



20



21





