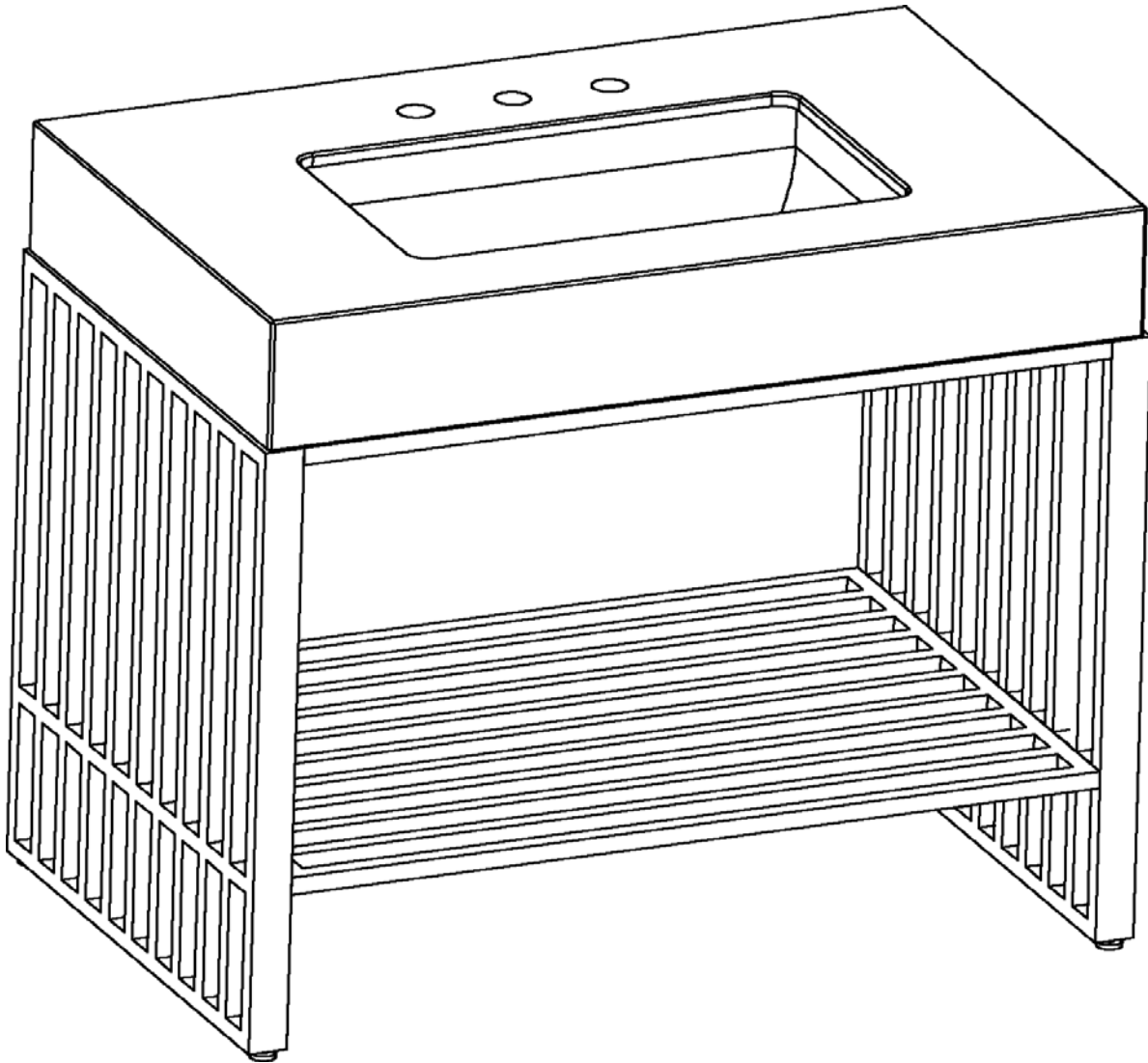


ASSEMBLY INSTRUCTIONS

EI-6083/6084/6085/6086/6087/6088/6089/6090/
6091/6092/6093/6094/6095/6096/6097/6098

V1.05.28.22



Questions? Contact us!

609.256.9000 • cs@modway.com
www.modway.com

*modway

Let's get started!

*modway



Read through all of the instructions before starting



Care instructions are listed in the last step of this manual



Approx. 15 minutes assembly time



Make sure you have all parts and components before discarding any packing materials



2 people recommended for assembly

Only use hand tools to assemble this item. Do not use power tools. Do not tighten bolts or screws completely until all hardware is lined up and inserted into the holes.

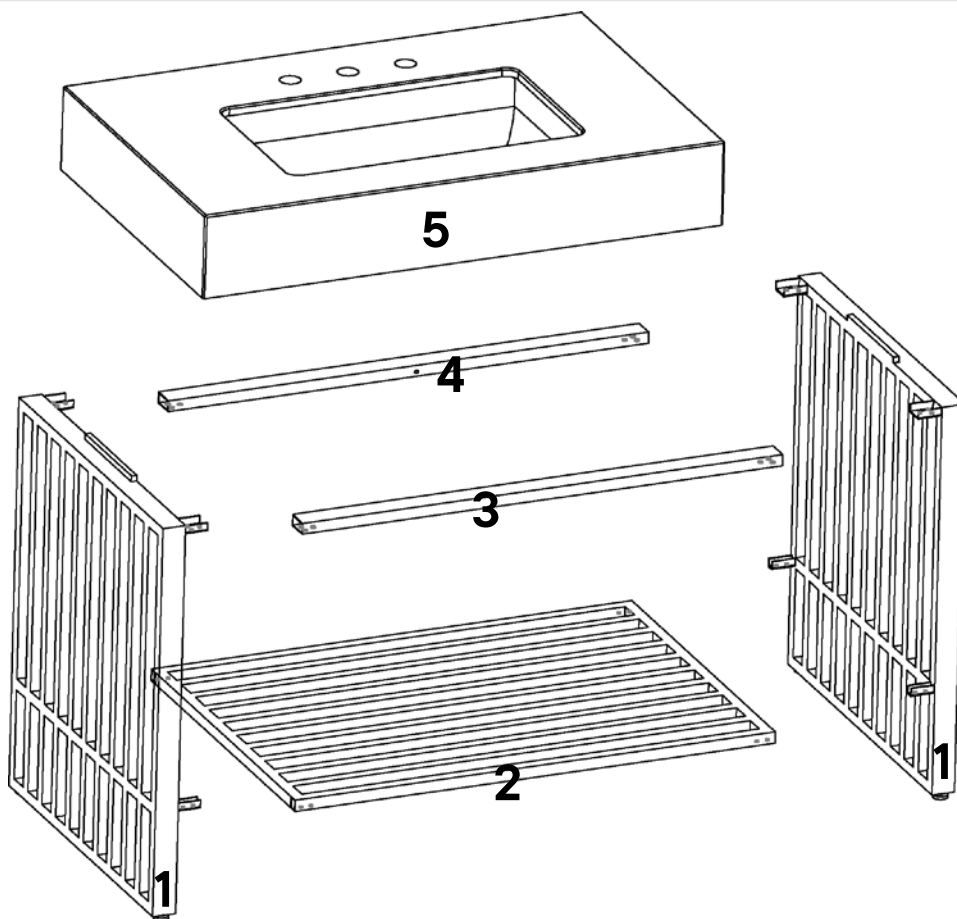
Do not over-tighten screws and bolts to avoid stripping the hardware or cracking the item.

Assemble your item on a flat, carpeted area, with plenty of space to work. This will prevent damage and scratches to your floors or the item while you're assembling the product.

Keep all components and packaging out of reach of children or animals to avoid risk of choking or suffocation.

Furniture components:

1	Metal Frame Side	x2
2	Metal Frame Bottom	x1
3	Upper Bar Front	x1
4	Upper Bar Back	x1
5	Top with Basin	x1



Provided hardware:

A		Bolt M6x10mm	x20
B		Allen Key	x1
C		Screw 4x90mm	x1
D		Wall Anchor 8x60mm	x1

Wait!

Missing parts or hardware? Need assistance?
Contact us before returning your item. We're here to help!
609.256.9000 • cs@modway.com

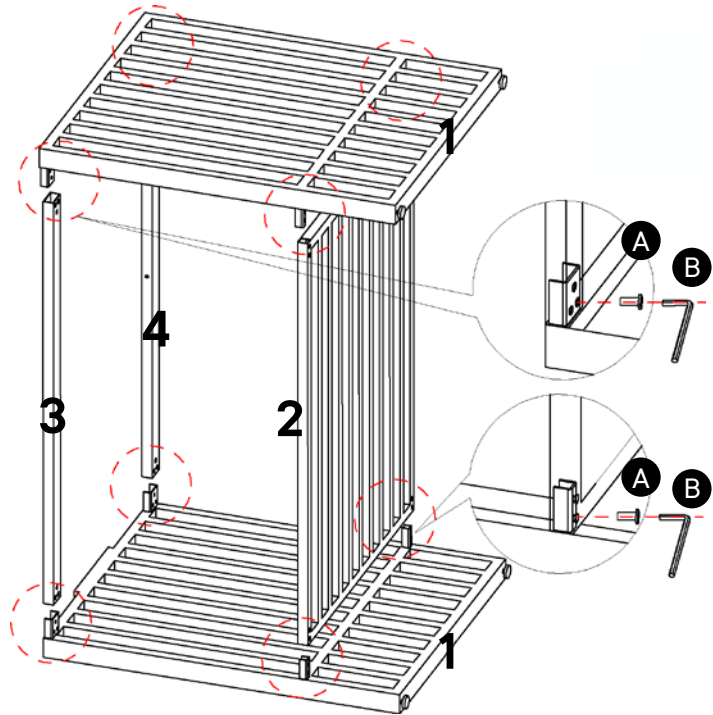
Step 1

HARDWARE

- A** Bolt M6x10mm x20
- B** Allen Key x1

COMPONENTS

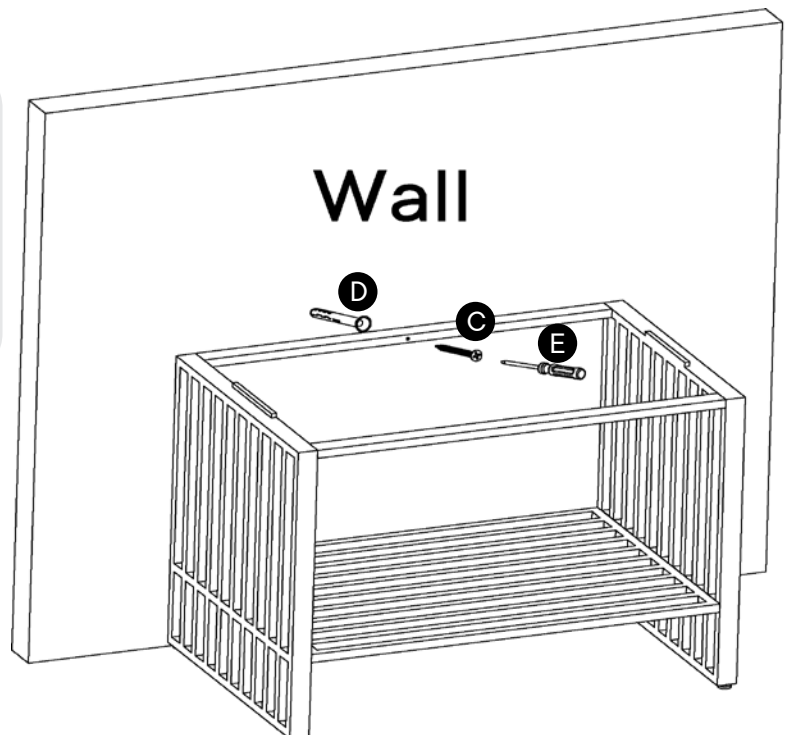
- 1** Metal Frame Side x2
- 2** Metal Frame Bottom x1
- 3** Upper Bar Front x1
- 4** Upper Bar Back x1



Step 2

HARDWARE

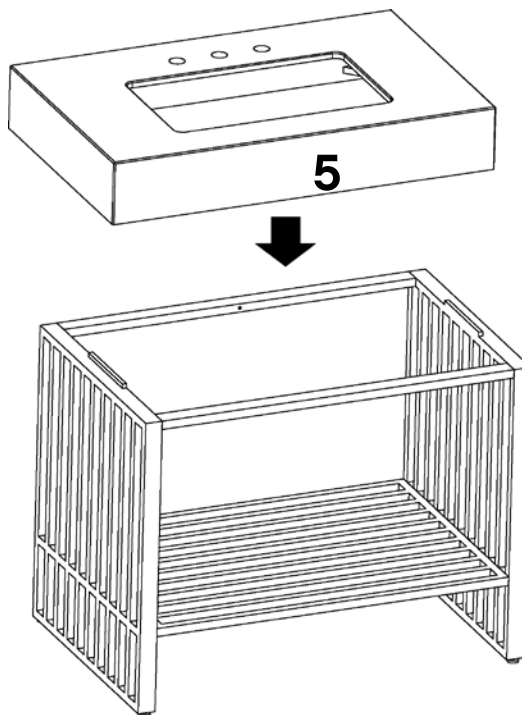
- C** Screw 4x90mm x1
- D** Wall Anchor 8x60mm x1
- E** Screwdriver (Not provided) x1



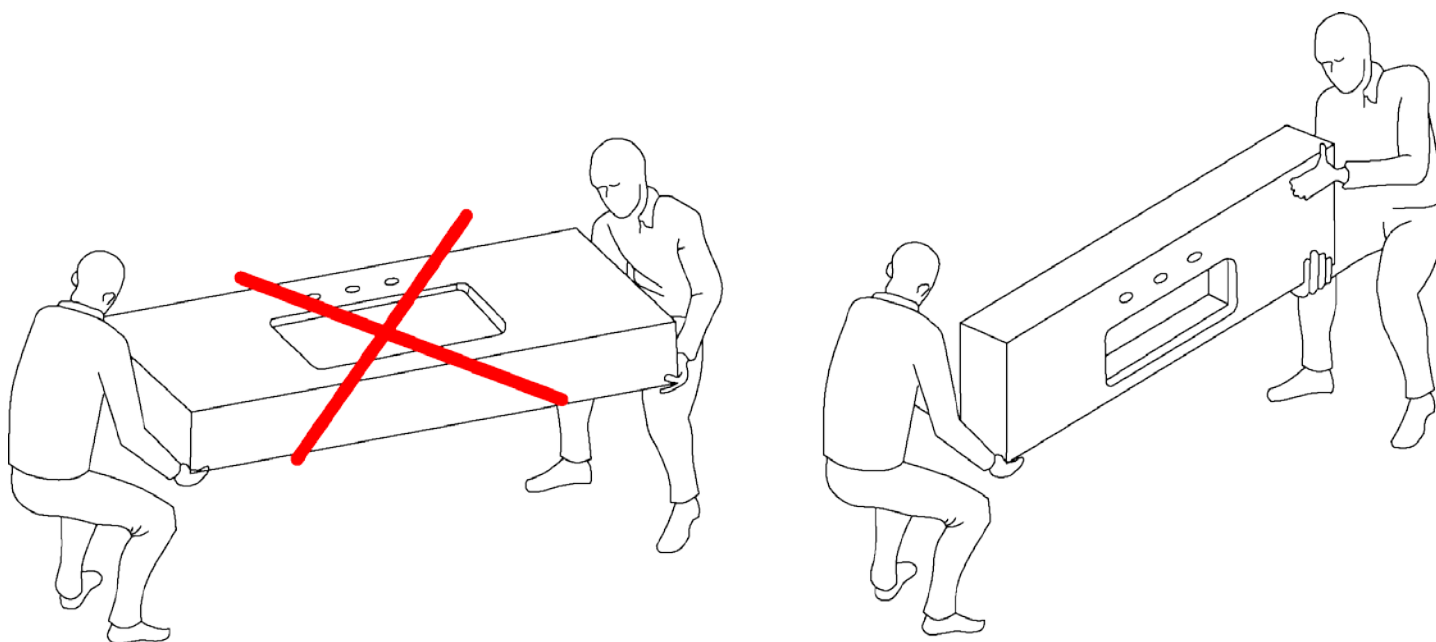
Step 3

COMPONENTS

- 5 Top with Basin x1



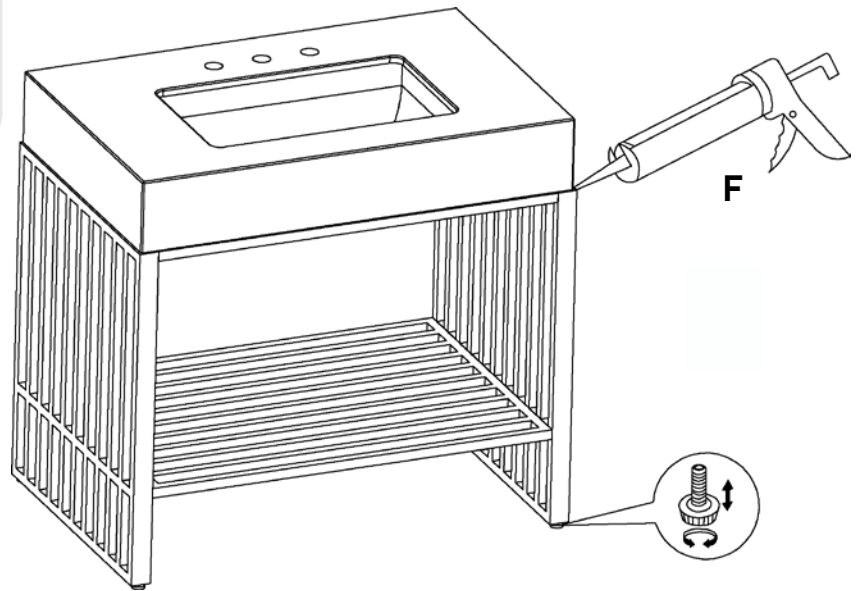
Carefully



Step 4

HARDWARE

F Caulk (Not Provided) x1



Great job!

Your vanity is complete and ready to enjoy.

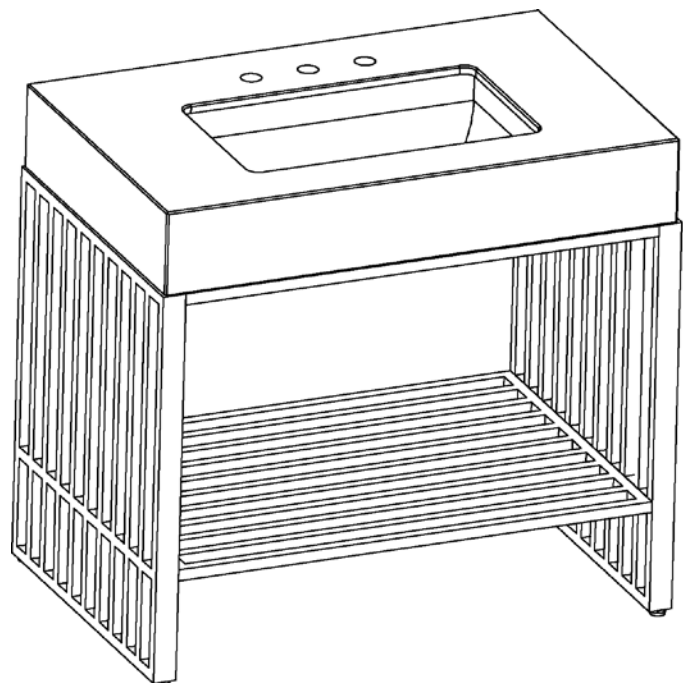
♥ CARING FOR YOUR ITEM

Indoor use only.

Not contract grade.

Spot clean using a non-abrasive cloth and a mild cleaner.

Never use harsh chemicals, as they could damage the finish or integrity of the item.



CONNECT WITH US!   

Tag us @modway_furniture and #modway for a chance to be featured.