

ASSEMBLY INSTRUCTIONS

EEI-6073

V0.04.25.22



Questions? Contact us!

609.256.9000 • cs@modway.com
www.modway.com

*modway

Let's get started!

*modway



Read through all of the instructions before starting



Care instructions are listed in the last step of this manual



Approx. 120 minutes assembly time



Make sure you have all parts and components before discarding any packing materials



2 people recommended for assembly

Only use hand tools to assemble this item. Do not use power tools. Do not tighten bolts or screws completely until all hardware is lined up and inserted into the holes.

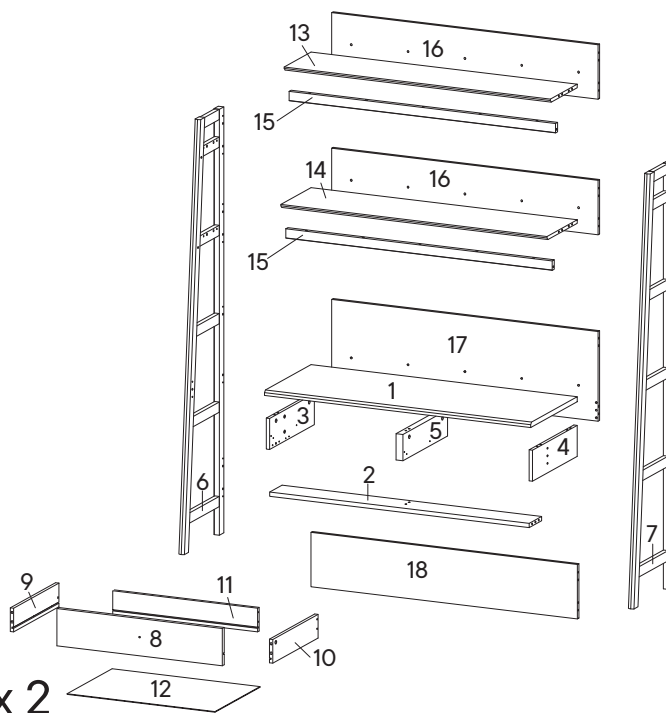
Do not over-tighten screws and bolts to avoid stripping the hardware or cracking the item.

Assemble your item on a flat, carpeted area, with plenty of space to work. This will prevent damage and scratches to your floors or the item while you're assembling the product.

Keep all components and packaging out of reach of children or animals to avoid risk of choking or suffocation.

Furniture components:

1	Top Board	x1	11	Back Drawer	x2
2	Bottom Board	x1	12	Bottom Drawer	x2
3	Side Board Left	x1	13	Fixed Shelf 1	x1
4	Side Board Right	x1	14	Fixed Shelf 2	x1
5	Center Board	x1	15	Support Board	x2
6	Frame Side Left	x1	16	Back Board 1	x2
7	Frame Side Right	x1	17	Back Board 2	x1
8	Front Drawer	x2	18	Back Board 3	x1
9	Side Drawer Left	x2			
10	Side Drawer Right	x2			



Provided hardware:

A		Cam Bolt Ø6 x 35 mm	x44	J		Screw M 6.4 x 25 mm	x4	ST1167	Anti Deflection Bar	x1
B		Cam Lock Ø15 mm	x40	K		Screw M 6 x 10.5 mm	x16			
C		Cam Lock Ø12 mm	x4	L		Screw M 3.5 x 13 mm	x12			
D		Wood Dowel Ø8 x 30 mm	x57	M		Screw M 8 x 39 mm	x8			
E		Wood Dowel Ø6 x 30 mm	x4	N		Bracket	x2			
F		Screw M 7 x 50 mm	x10	O		Screw M 4 x 22 mm	x2			
G		Allen Key	x2	P		Floor Protector	x4			
H		Wedge	x8	Q		Handle	x2			
I		Screw M 3.5 x 15.5 mm	x8	RM35A		Drawer Runner	x2			

What you need:

Phillips Head Screwdriver

Wait!

Missing parts or hardware? Need assistance?
Contact us before returning your item. We're here to help!
609.256.9000 • cs@modway.com

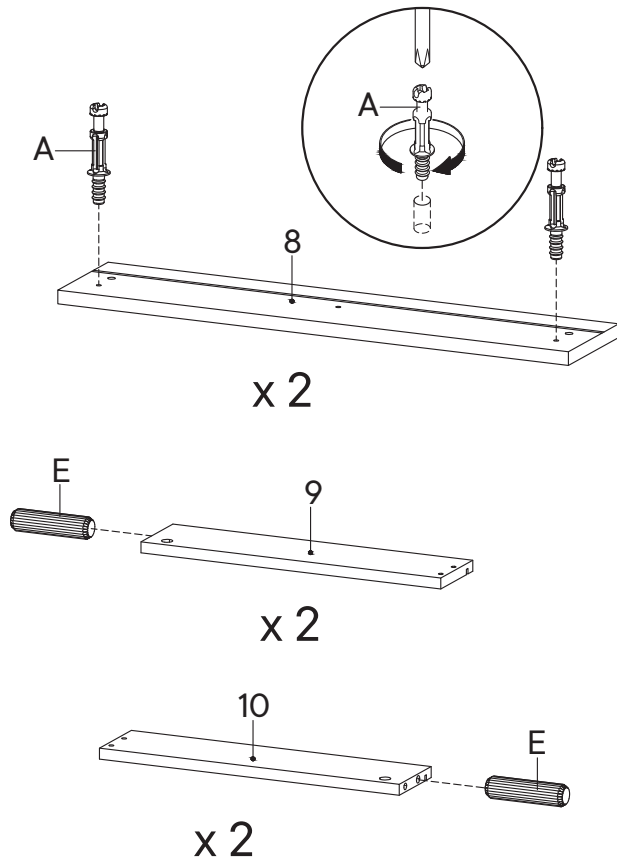
Step 1

HARDWARE

- A** Cam Bolt $\varnothing 6 \times 35$ mm x4
- E** Wood Dowel $\varnothing 6 \times 30$ mm x4

COMPONENTS

- 8** Front Drawer x2
- 9** Side Drawer Left x2
- 10** Side Drawer Right x2



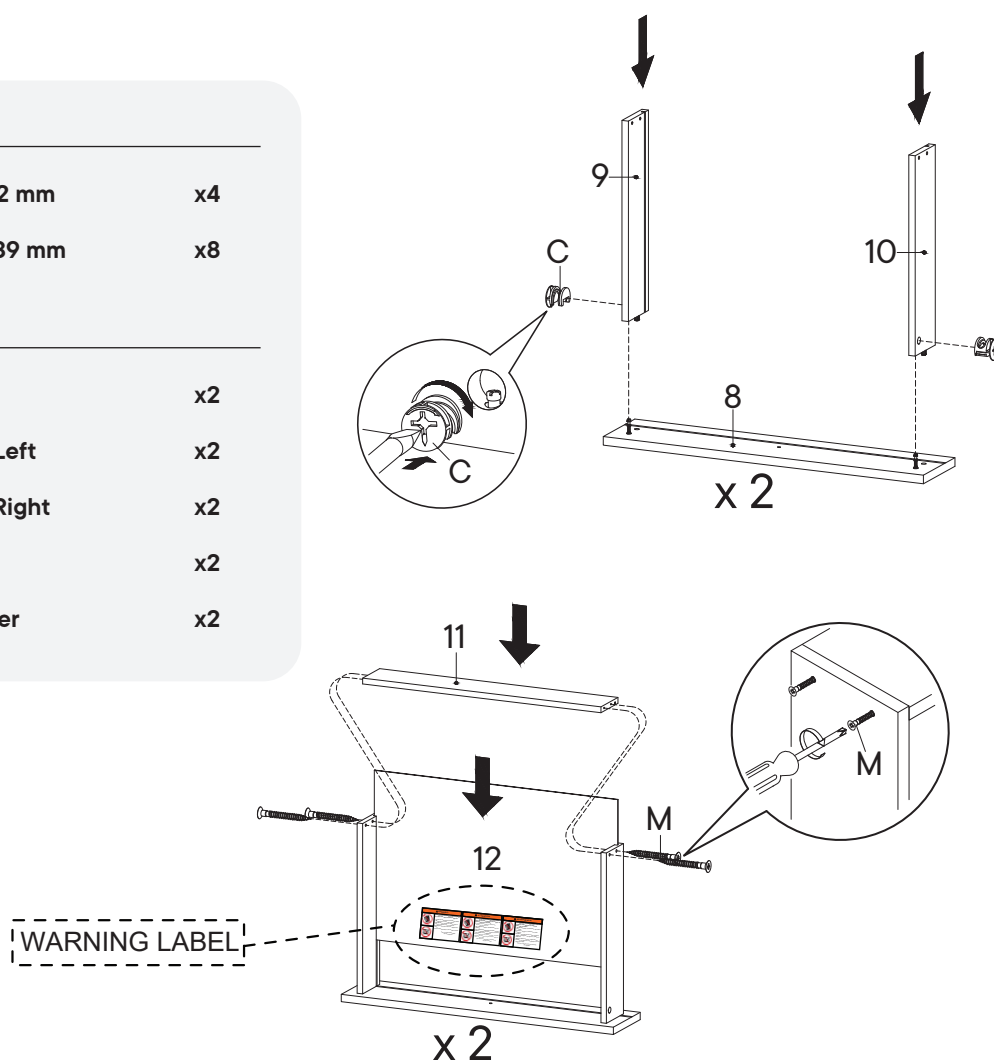
Step 2

HARDWARE

- C** Cam Lock $\varnothing 12$ mm x4
- M** Screw M 8 x 39 mm x8

COMPONENTS

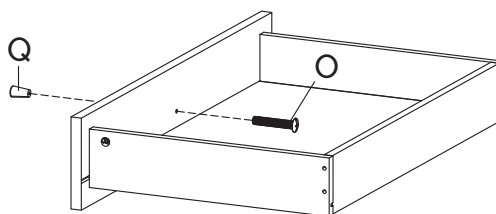
- 8** Front Drawer x2
- 9** Side Drawer Left x2
- 10** Side Drawer Right x2
- 11** Back Drawer x2
- 12** Bottom Drawer x2



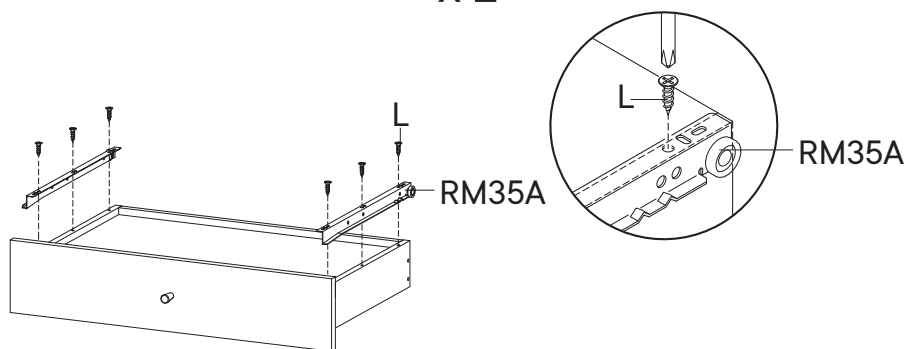
Step 3

HARDWARE

- L** Screw M 3.5 x 13 mm x12
- O** Screw M 4 x 22 mm x2
- Q** Handle x2
- RM35A** Drawer Runner x2



x 2

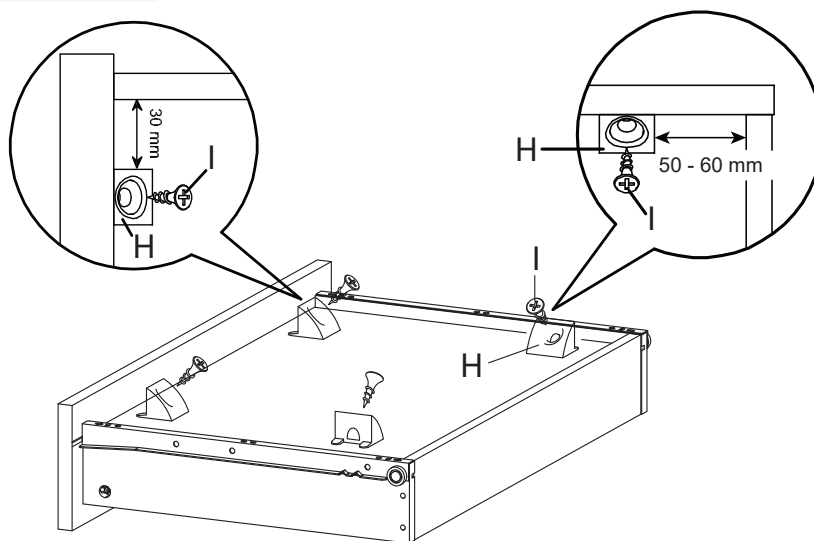


x 2

Step 4

HARDWARE

- H** Wedge x8
- I** Screw M 3.5 x 15.5 mm x8



x 2

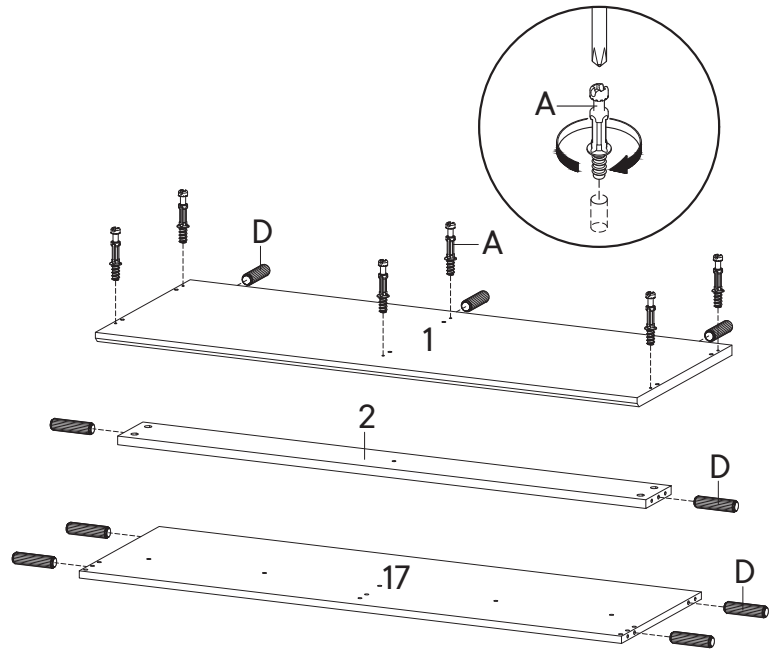
Step 5

HARDWARE

- A** Cam Bolt Ø6 x 35 mm x6
- D** Wood Dowel Ø8 x 30 mm x9

COMPONENTS

- 1** Top Board x1
- 2** Bottom Board x1
- 17** Back Board 2 x1



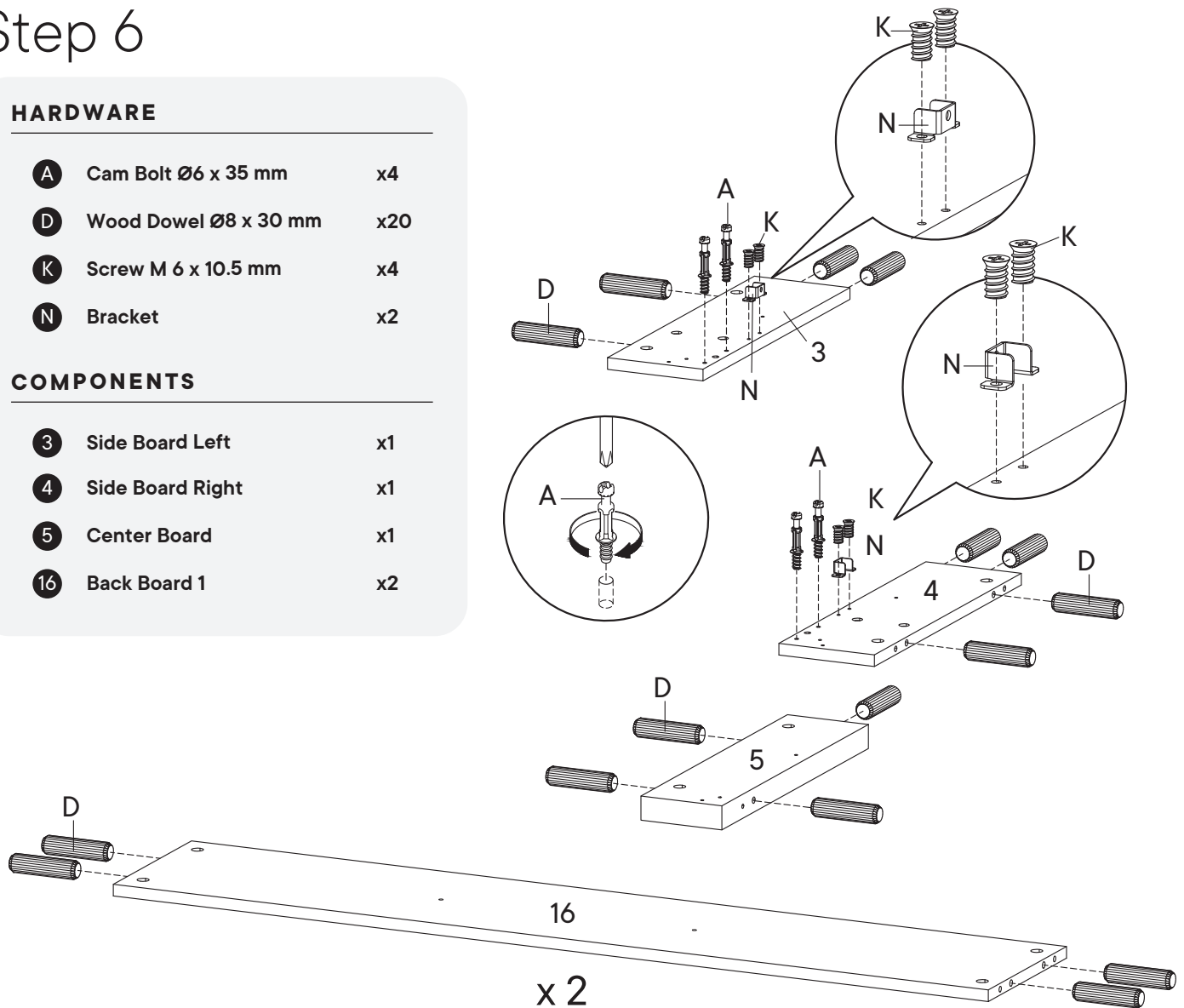
Step 6

HARDWARE

- A** Cam Bolt Ø6 x 35 mm x4
- D** Wood Dowel Ø8 x 30 mm x20
- K** Screw M 6 x 10.5 mm x4
- N** Bracket x2

COMPONENTS

- 3** Side Board Left x1
- 4** Side Board Right x1
- 5** Center Board x1
- 16** Back Board 1 x2



Step 7

HARDWARE

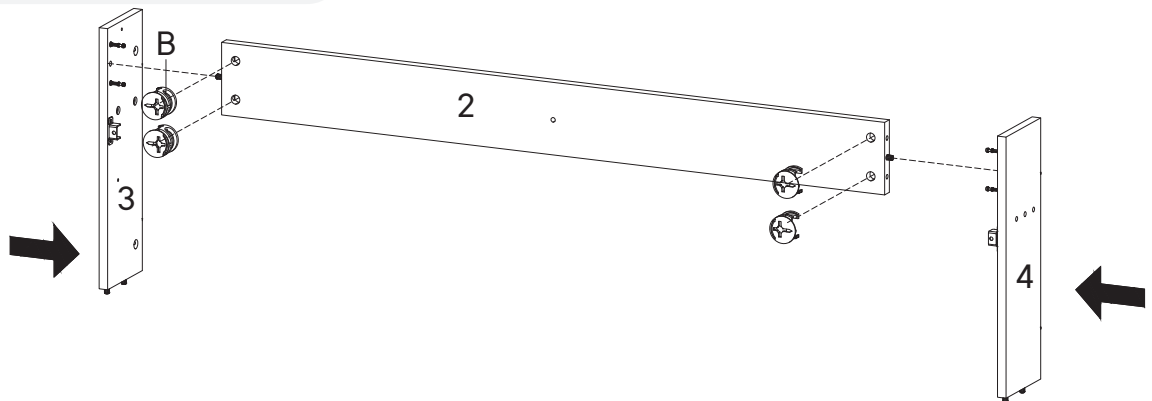
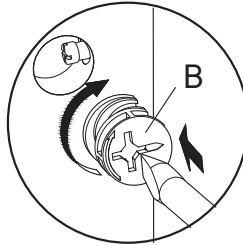
B Cam Lock Ø15 mm x4

COMPONENTS

2 Bottom Board x1

3 Side Board Left x1

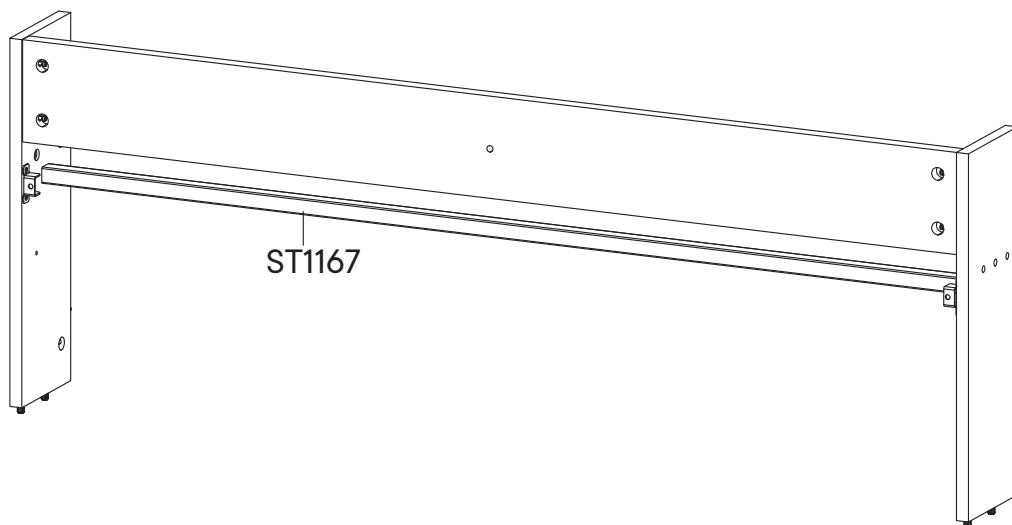
4 Side Board Right x1



Step 8

HARDWARE

ST1167 Anti Deflection Bar x1



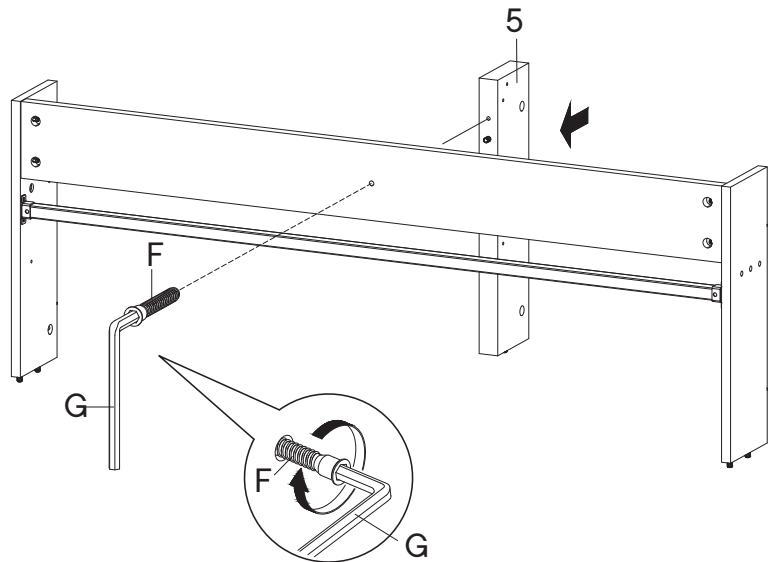
Step 9

HARDWARE

- F** Screw M 7 x 50 mm x1
- G** Allen Key x1

COMPONENTS

- 5** Center Board x1



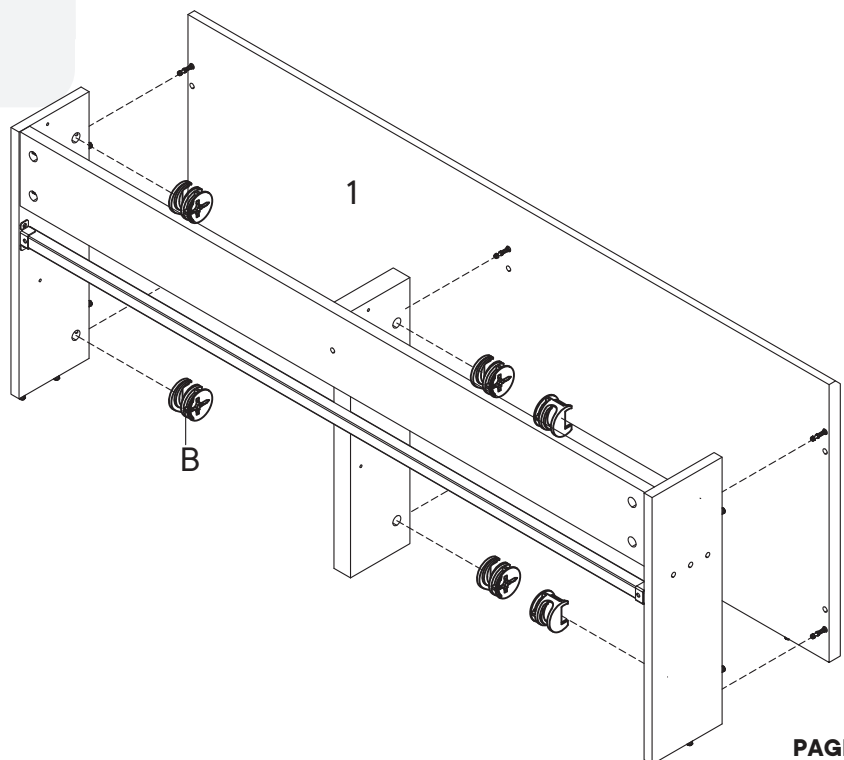
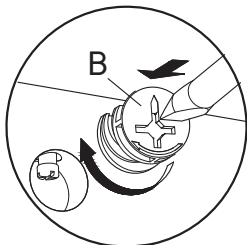
Step 10

HARDWARE

- B** Cam Lock Ø15 mm x6

COMPONENTS

- 1** Top Board x1



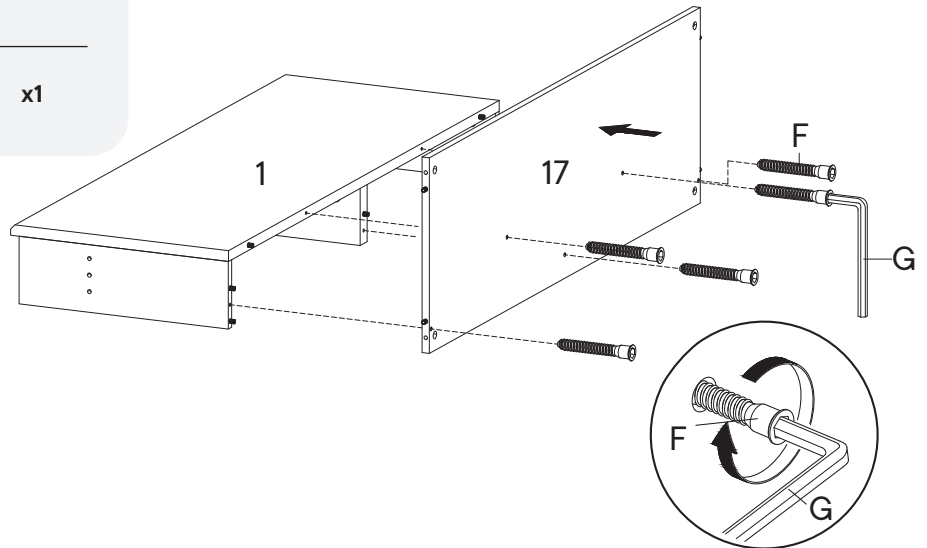
Step 11

HARDWARE

- F** Screw M 7 x 50 mm x5
- G** Allen Key x1

COMPONENTS

- 17** Back Board 2 x1



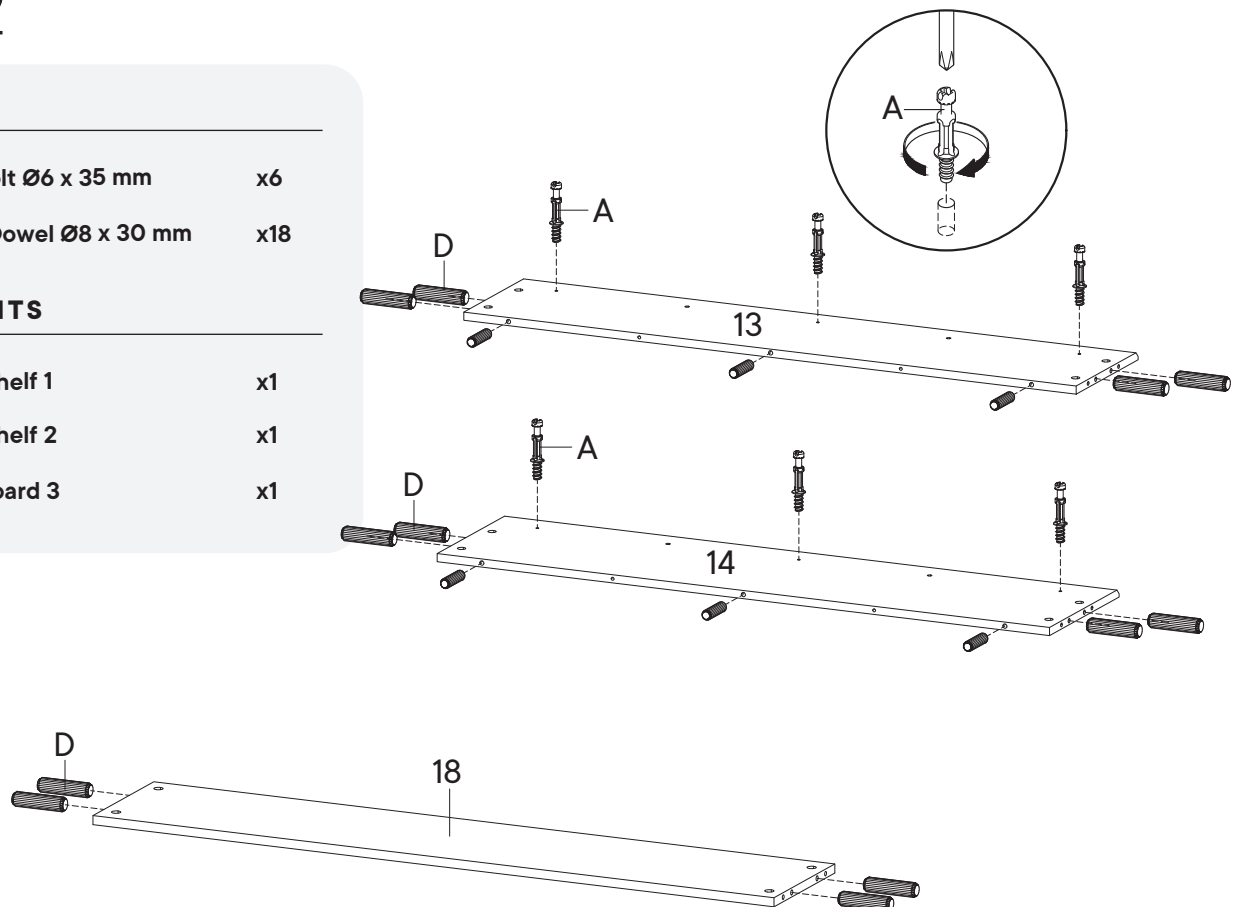
Step 12

HARDWARE

- A** Cam Bolt Ø6 x 35 mm x6
- D** Wood Dowel Ø8 x 30 mm x18

COMPONENTS

- 13** Fixed Shelf 1 x1
- 14** Fixed Shelf 2 x1
- 18** Back Board 3 x1



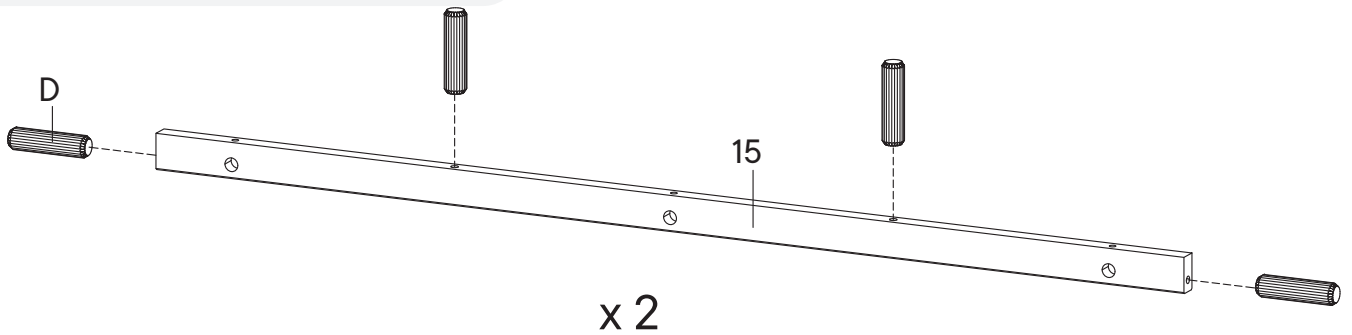
Step 13

HARDWARE

D Wood Dowel Ø8 x 30 mm x8

COMPONENTS

15 Support Board x2



Step 14

HARDWARE

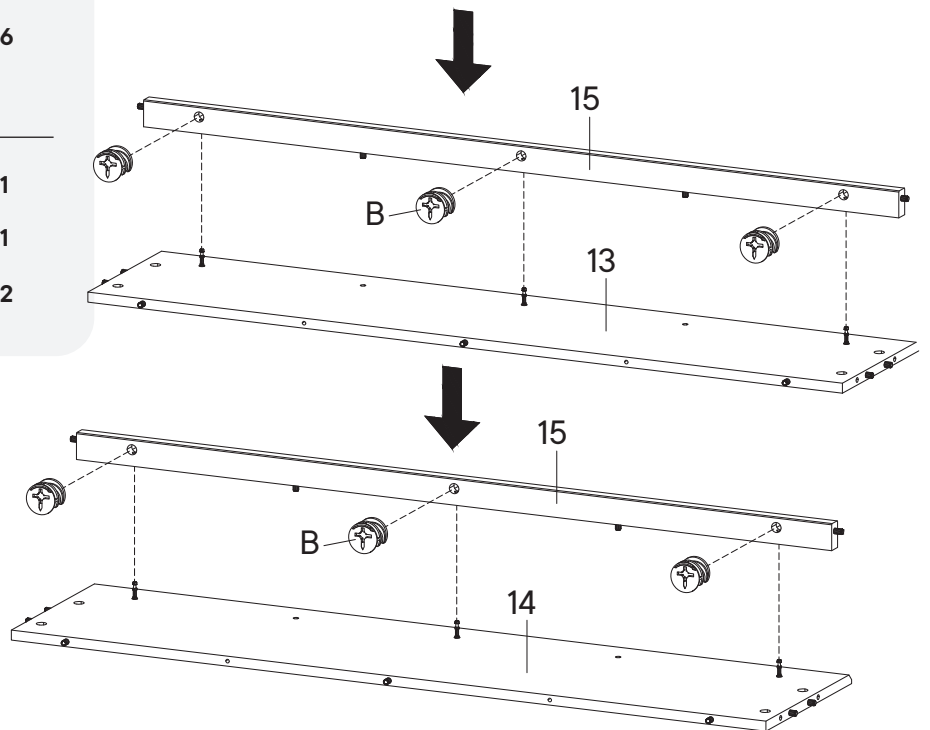
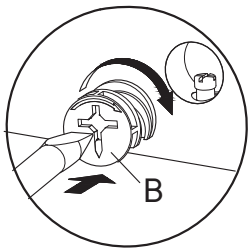
B Cam Lock Ø15 mm x6

COMPONENTS

13 Fixed Shelf 1 x1

14 Fixed Shelf 2 x1

15 Support Board x2



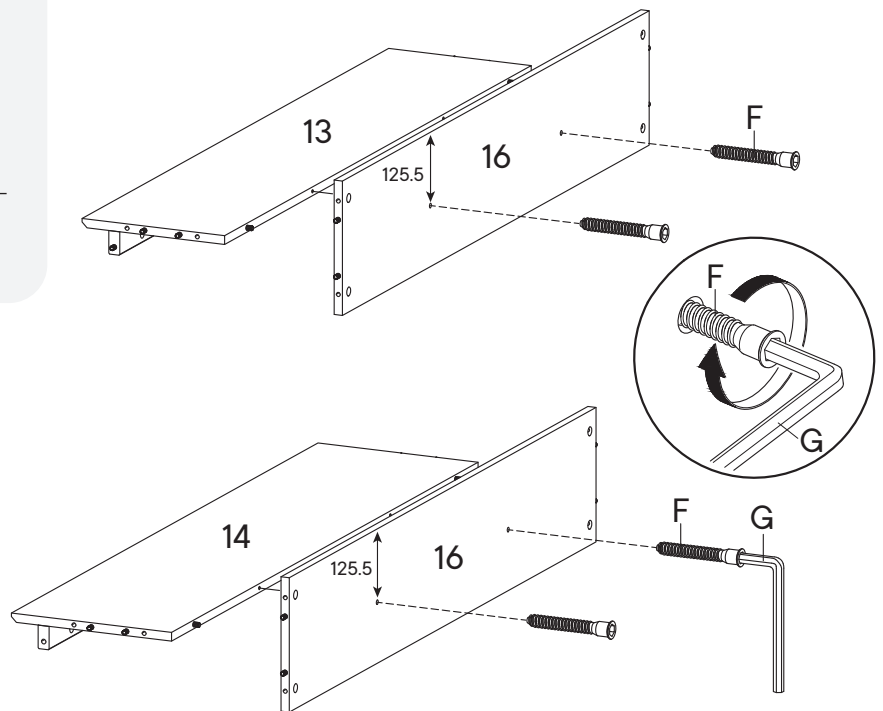
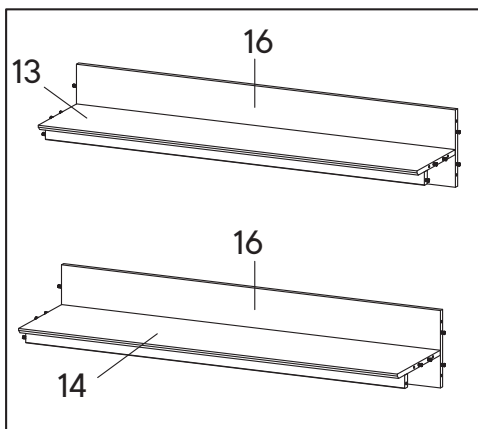
Step 15

HARDWARE

- F** Screw M 7 x 50 mm x4
- G** Allen Key x1

COMPONENTS

- 16** Back Board 1 x2



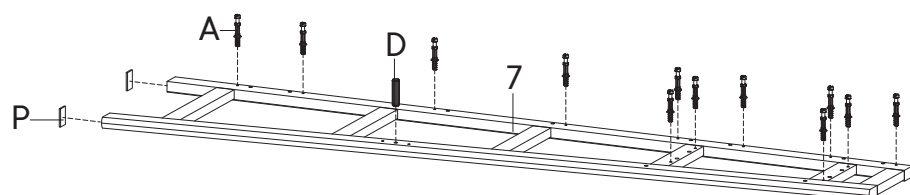
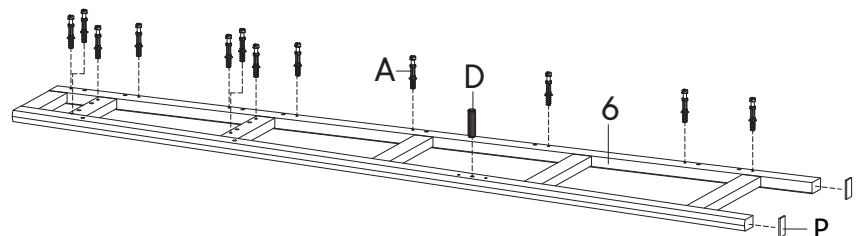
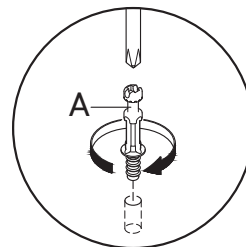
Step 16

HARDWARE

- A** Cam Bolt $\varnothing 6 \times 35$ mm x24
- D** Wood Dowel $\varnothing 8 \times 30$ mm x2
- P** Floor Protector x4

COMPONENTS

- 6** Frame Side Left x1
- 7** Frame Side Right x1



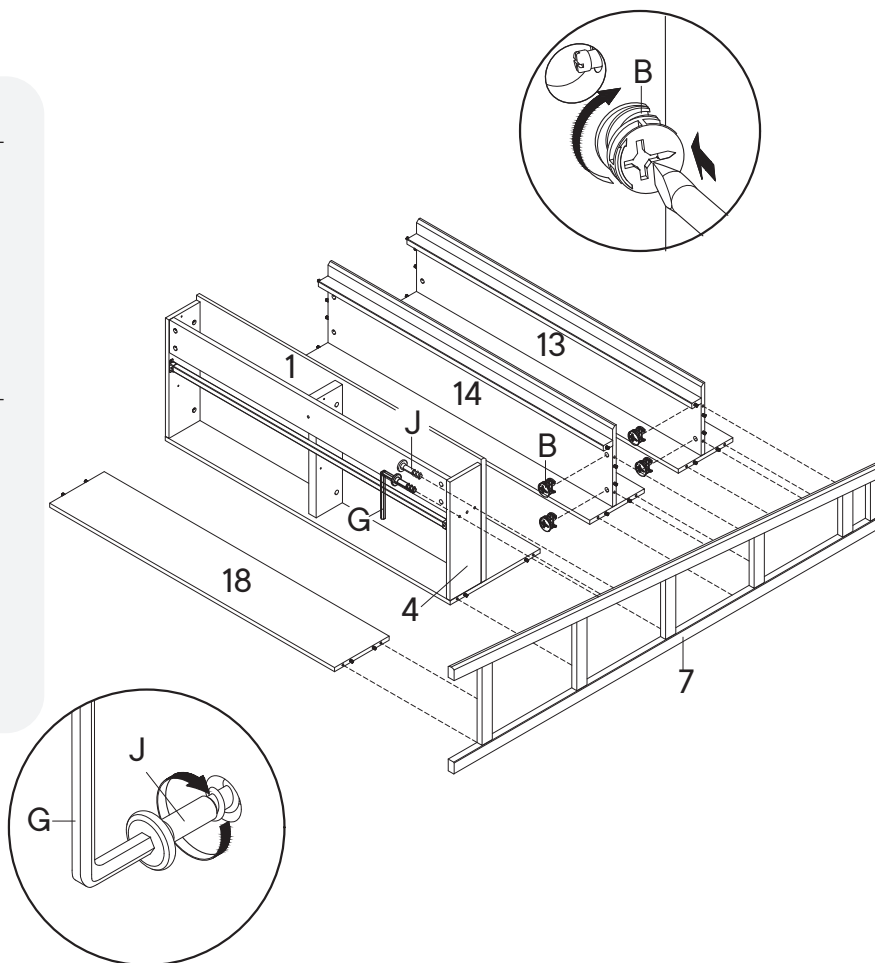
Step 17

HARDWARE

- B** Cam Lock Ø15 mm x4
- G** Allen Key x1
- J** Screw M 6.4 x 25 mm x2

COMPONENTS

- 4** Side Board Right x1
- 7** Frame Side Right x1
- 13** Fixed Shelf 1 x1
- 14** Fixed Shelf 2 x1
- 18** Back Board 3 x1



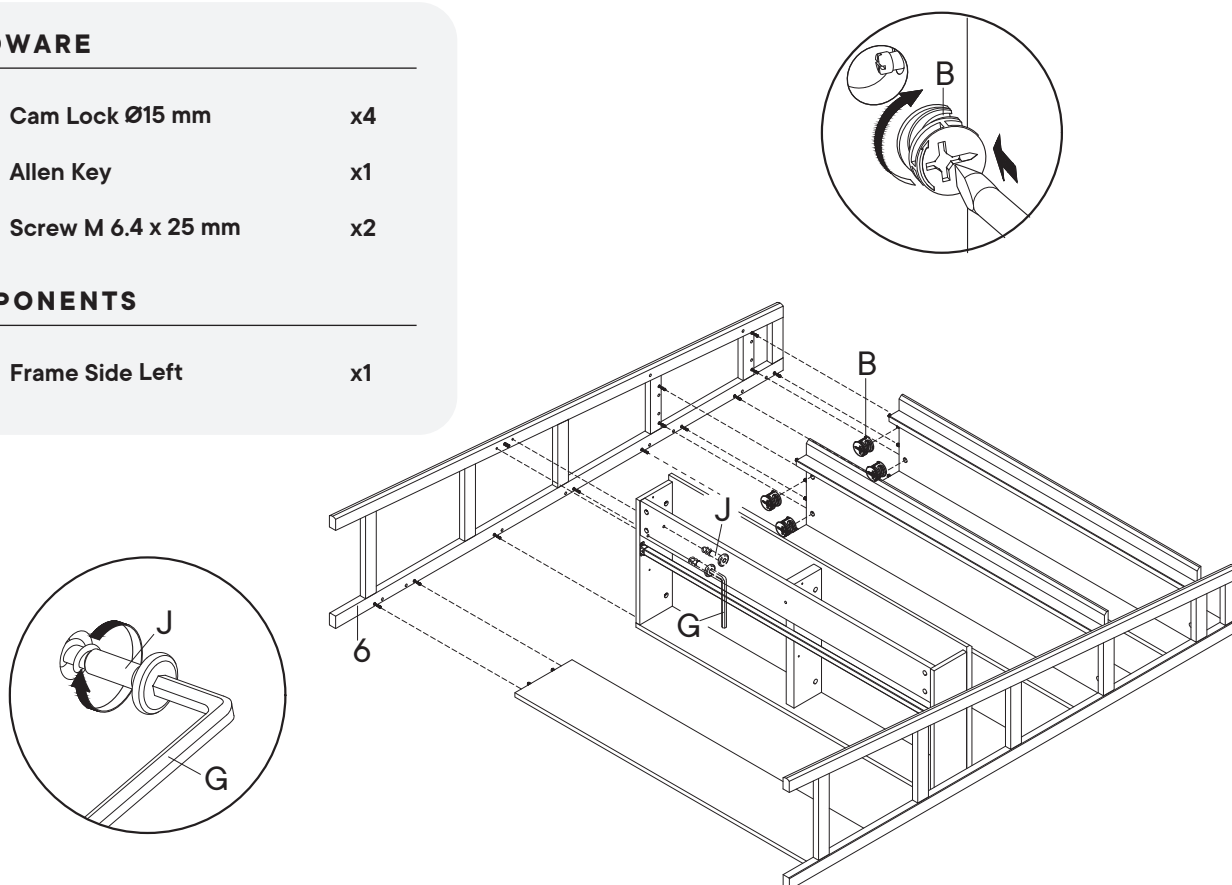
Step 18

HARDWARE

- B** Cam Lock Ø15 mm x4
- G** Allen Key x1
- J** Screw M 6.4 x 25 mm x2

COMPONENTS

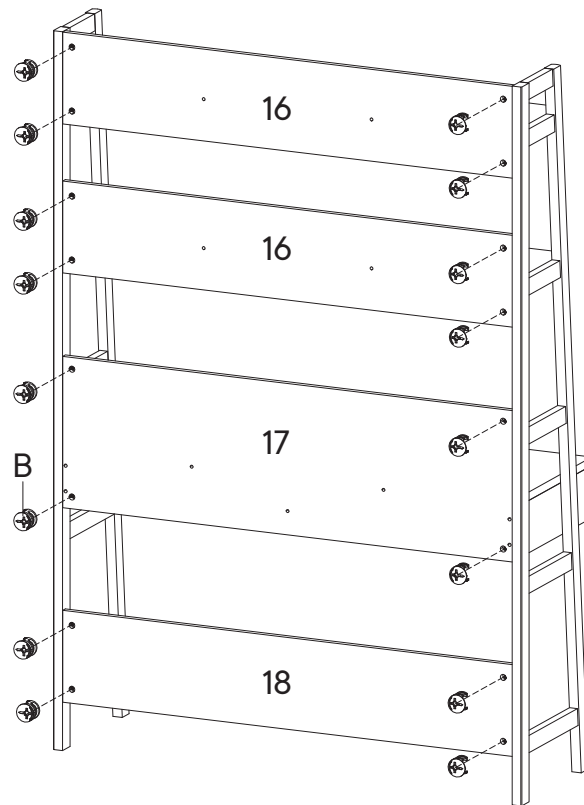
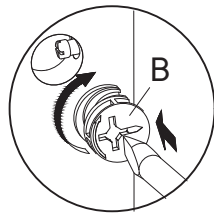
- 6** Frame Side Left x1



Step 19

HARDWARE

B Cam Lock $\varnothing 15$ mm x16

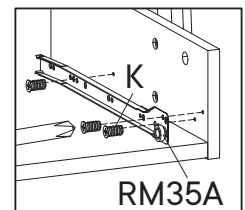
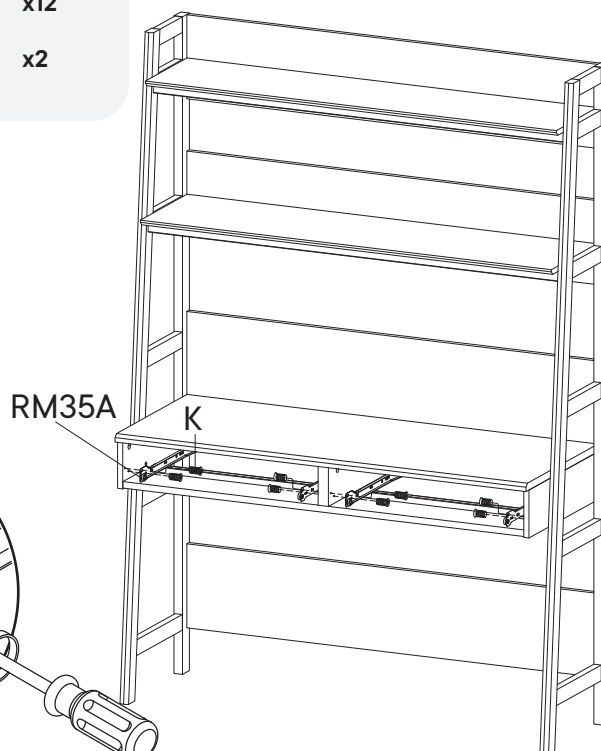
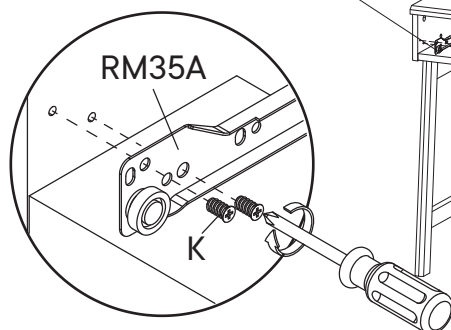
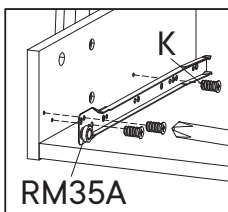


Step 20

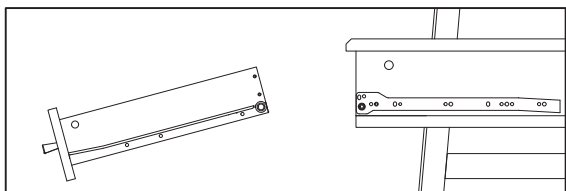
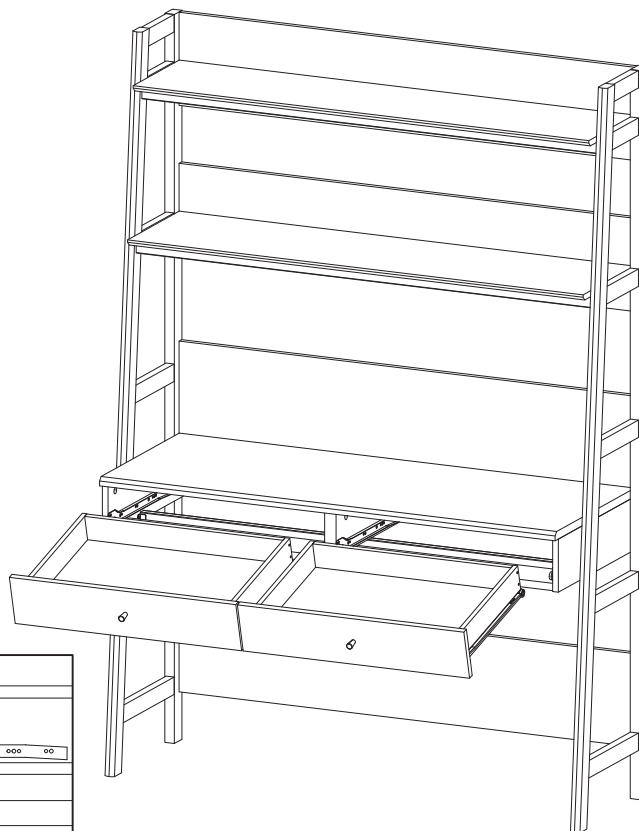
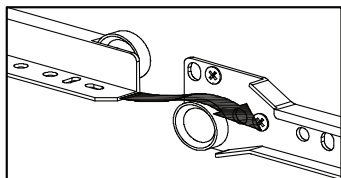
HARDWARE

K Screw M 6 x 10.5 mm x12

RM35A Drawer Runner x2



Step 21



Great job!

Desk assembly is complete.

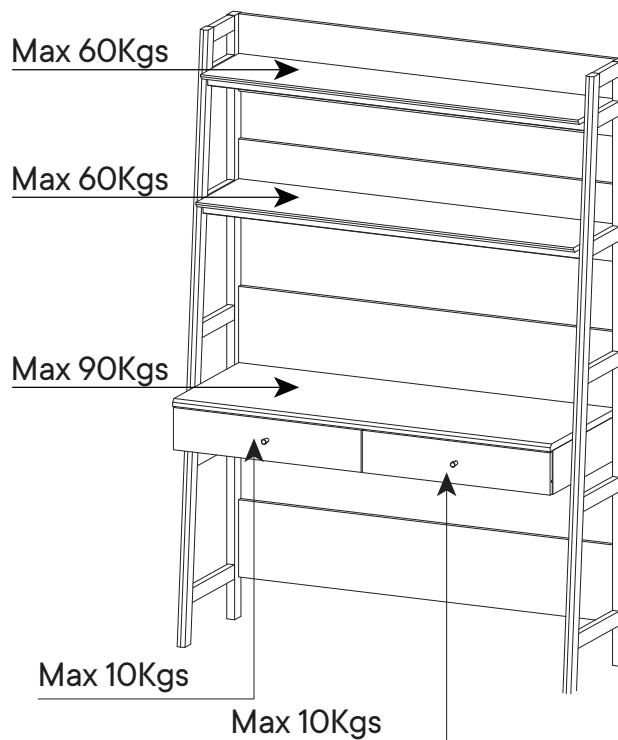
♥ CARING FOR YOUR ITEM

Indoor use only.

Not contract grade.

Clean using a non-abrasive cloth and a mild cleaner.

Never use harsh chemicals, as they could damage the finish or integrity of the item.



CONNECT WITH US!   

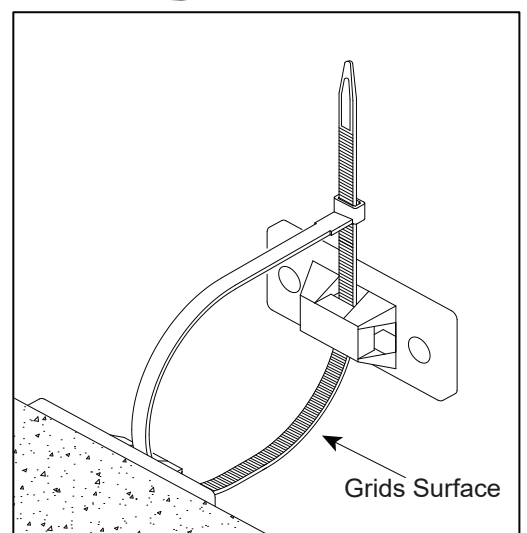
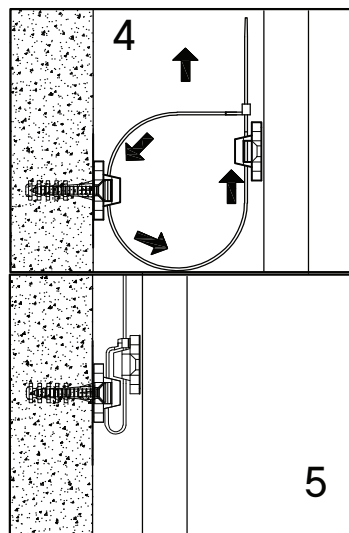
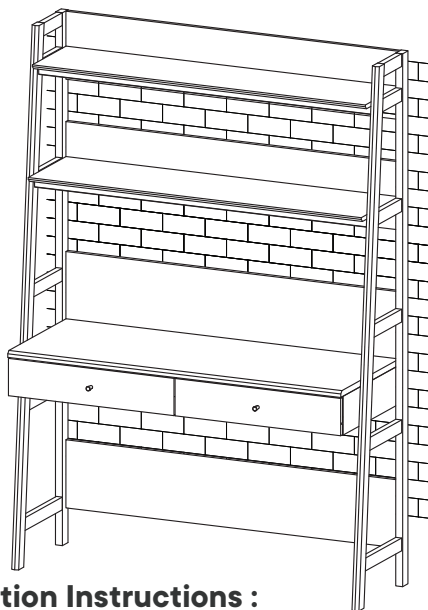
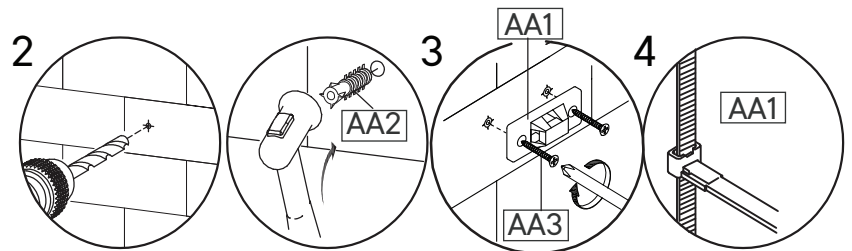
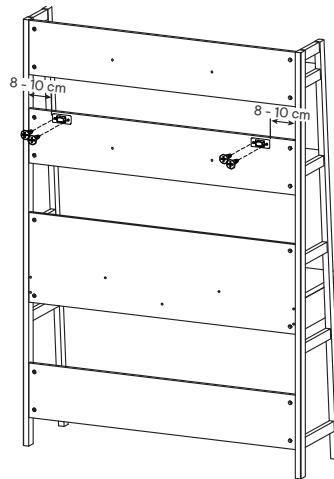
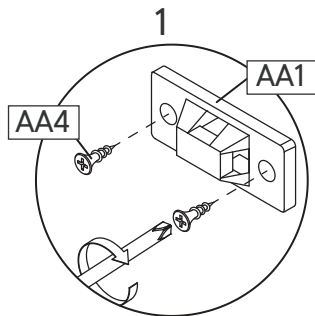
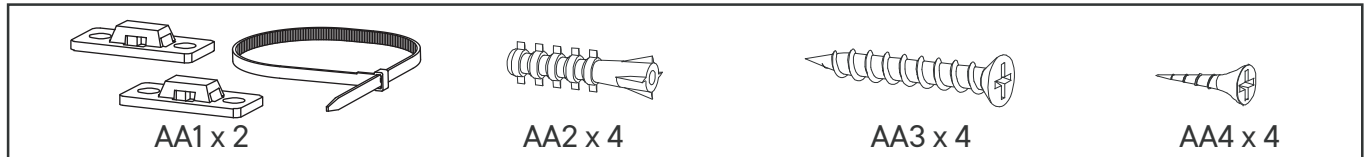
Tag us @modway_furniture and #modway for a chance to be featured.

TIPPING RESTRAINTS KIT INSTALLATION GUIDANCE

Different wall materials require unique wall fasteners.

The wall plugs (AA2) and screws (AA3) are designed for fixing to concrete walls only.

Please consult your local hardware store to ensure you are using the correct hardware for you wall type.



Installation Instructions :

1. Attach bracket (AA1) securely to the back top of the furniture using screw (AA4) provided. Allow 8 - 10 cm from each side.
2. Please make a hole for wall plugs position on the wall and minimum 15 mm below bracket secured to the back of unit attach the wall plugs (AA2).
3. Locate the other bracket (AA1) on the wall over wall plugs (AA2). Place furniture into position so both brackets (AA1) are vertically in the line.
4. Lace the end of the restraints strap through the larger hole in each bracket. Ensure the restraints strap with grids surface facing the inner loops. Bring both ends together and slide the flat end through the locking end and draw it through until all slack is removed.
5. Make sure that the strap is securely laced & locked.