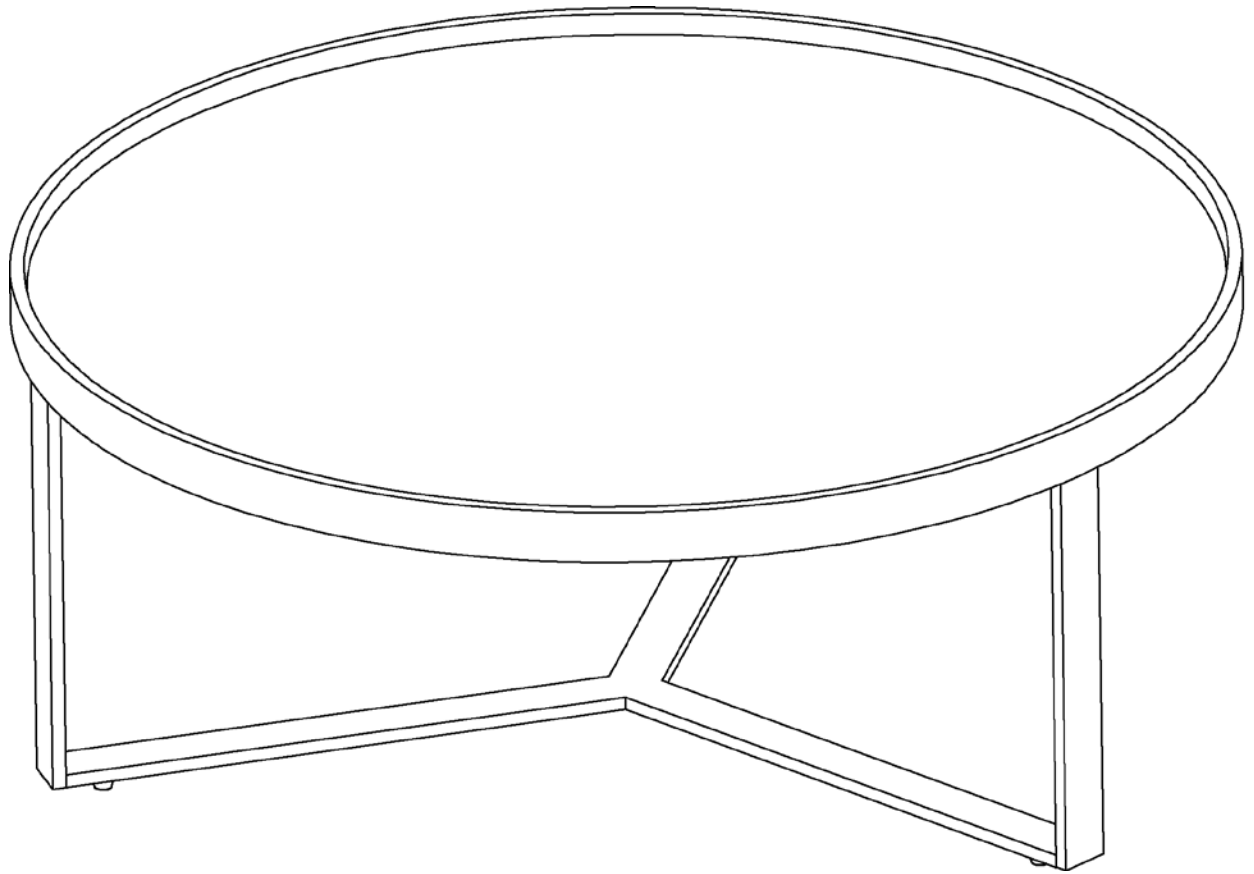


# ASSEMBLY INSTRUCTIONS

# EEI-6053/6054/6055

V1.08.23.22



**Questions? Contact us!**

609.256.9000 • [cs@modway.com](mailto:cs@modway.com)  
[www.modway.com](http://www.modway.com)

\*modway



Read through all of the instructions before starting



Care instructions are listed in the last step of this manual



Approx. 15 minutes assembly time



Make sure you have all parts and components before discarding any packing materials



2 people recommended for assembly

**Only use hand tools to assemble this item.** Do not use power tools. Do not tighten bolts or screws completely until all hardware is lined up and inserted into the holes.

Do not over-tighten screws and bolts to avoid stripping the hardware or cracking the item.




Assemble your item on a flat, carpeted area, with plenty of space to work. This will prevent damage and scratches to your floors or the item while you're assembling the product.

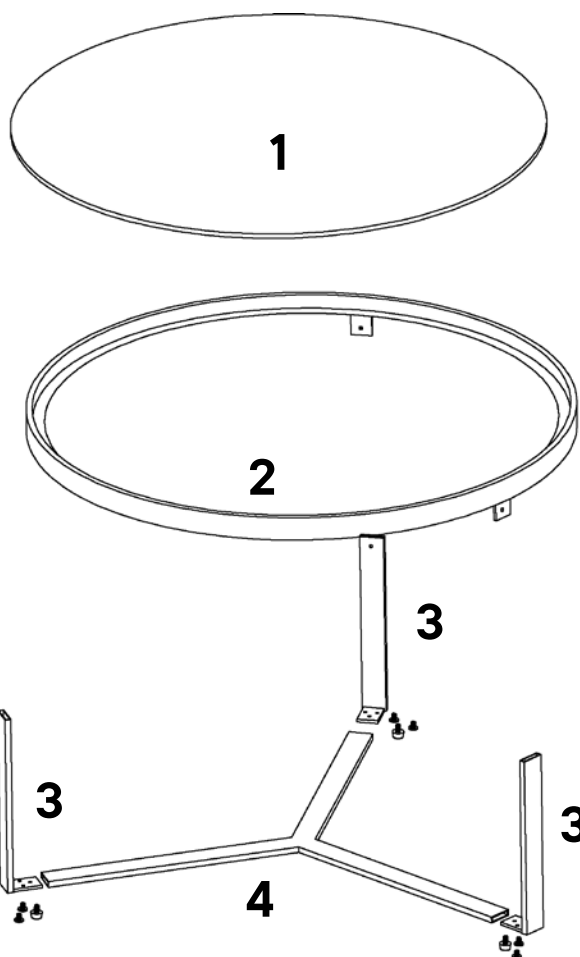
Keep all components and packaging out of reach of children or animals to avoid risk of choking or suffocation.

## Furniture components:

1	Tempered Glass	x1
2	Top Ring	x1
3	Pole	x3
4	Bottom Frame	x1

## Provided hardware:

A		Bolt M6x6mm	x9
B		Height Adjustable Glide	x3
C		Allen Key	x1



**Wait!**

Missing parts or hardware? Need assistance?  
Contact us before returning your item. We're here to help!  
609.256.9000 • [cs@modway.com](mailto:cs@modway.com)

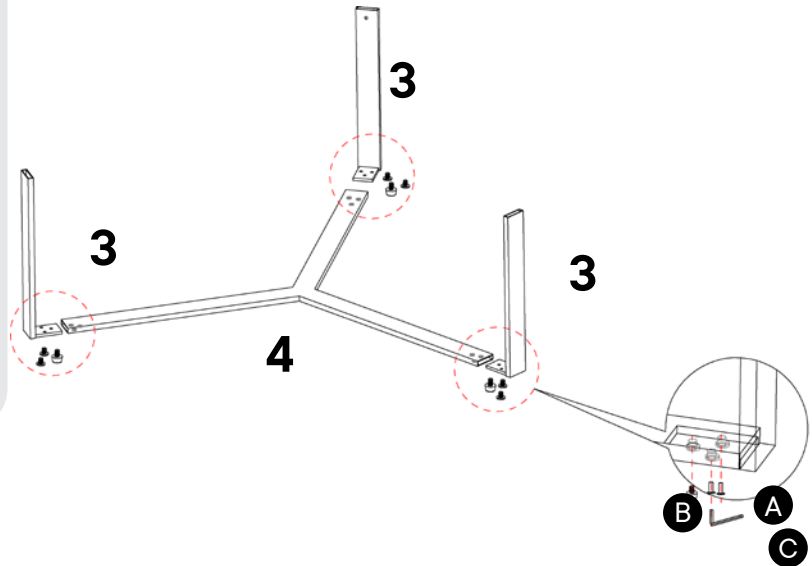
# Step 1

## HARDWARE

- A** Bolt M6x6mm x6
- B** Height Adjustable Glide x3
- C** Allen Key x1

## COMPONENTS

- 3** Pole x3
- 4** Bottom Frame x1



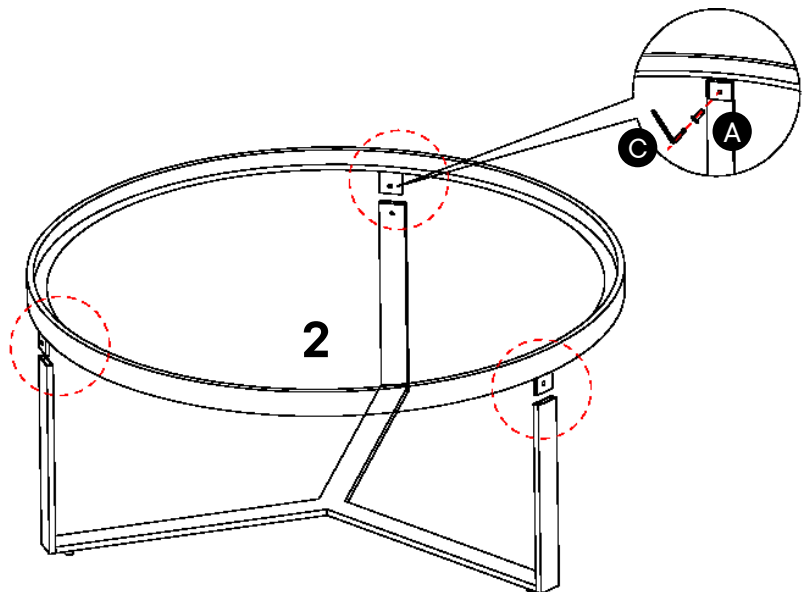
# Step 2

## HARDWARE

- A** Bolt M6x6mm x3
- C** Allen Key x1

## COMPONENTS

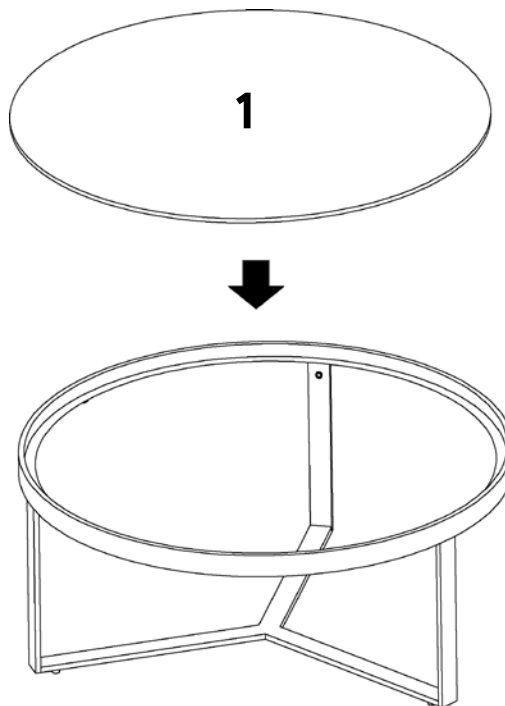
- 2** Top Ring x1



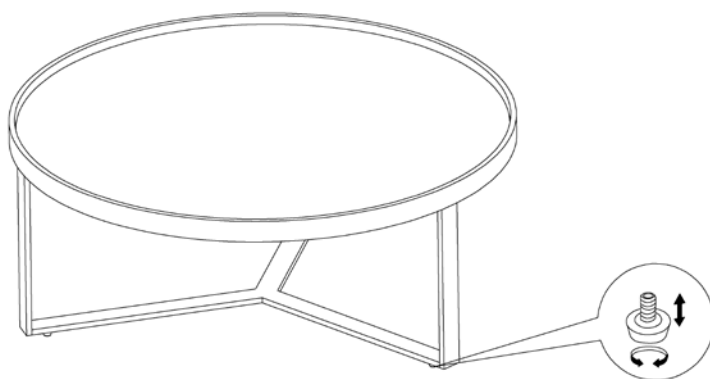
# Step 3

## COMPONENTS

- ① Tempered Glass x1



# Step 4



# Great job!

Your table is complete and ready to enjoy.

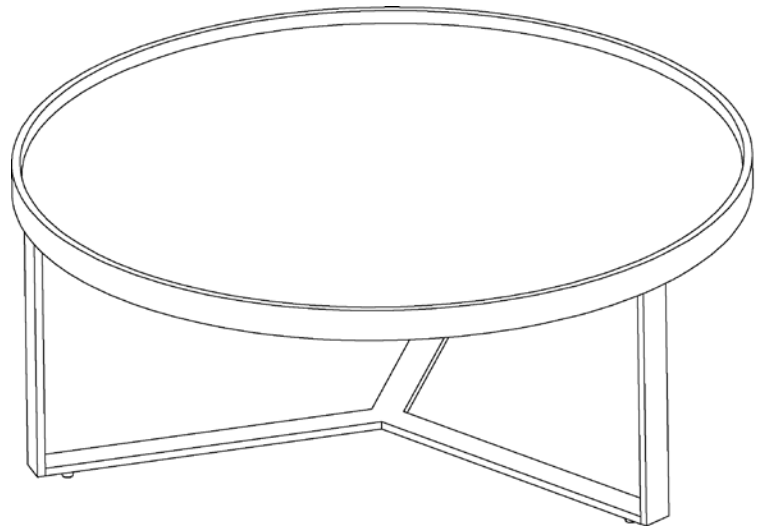
## ♥ CARING FOR YOUR ITEM

Indoor use only.

Not contract grade.

Spot clean using a non-abrasive cloth and a mild cleaner.

Never use harsh chemicals, as they could damage the finish or integrity of the item.



CONNECT WITH US!   

Tag us @modway\_furniture and #modway for a chance to be featured.