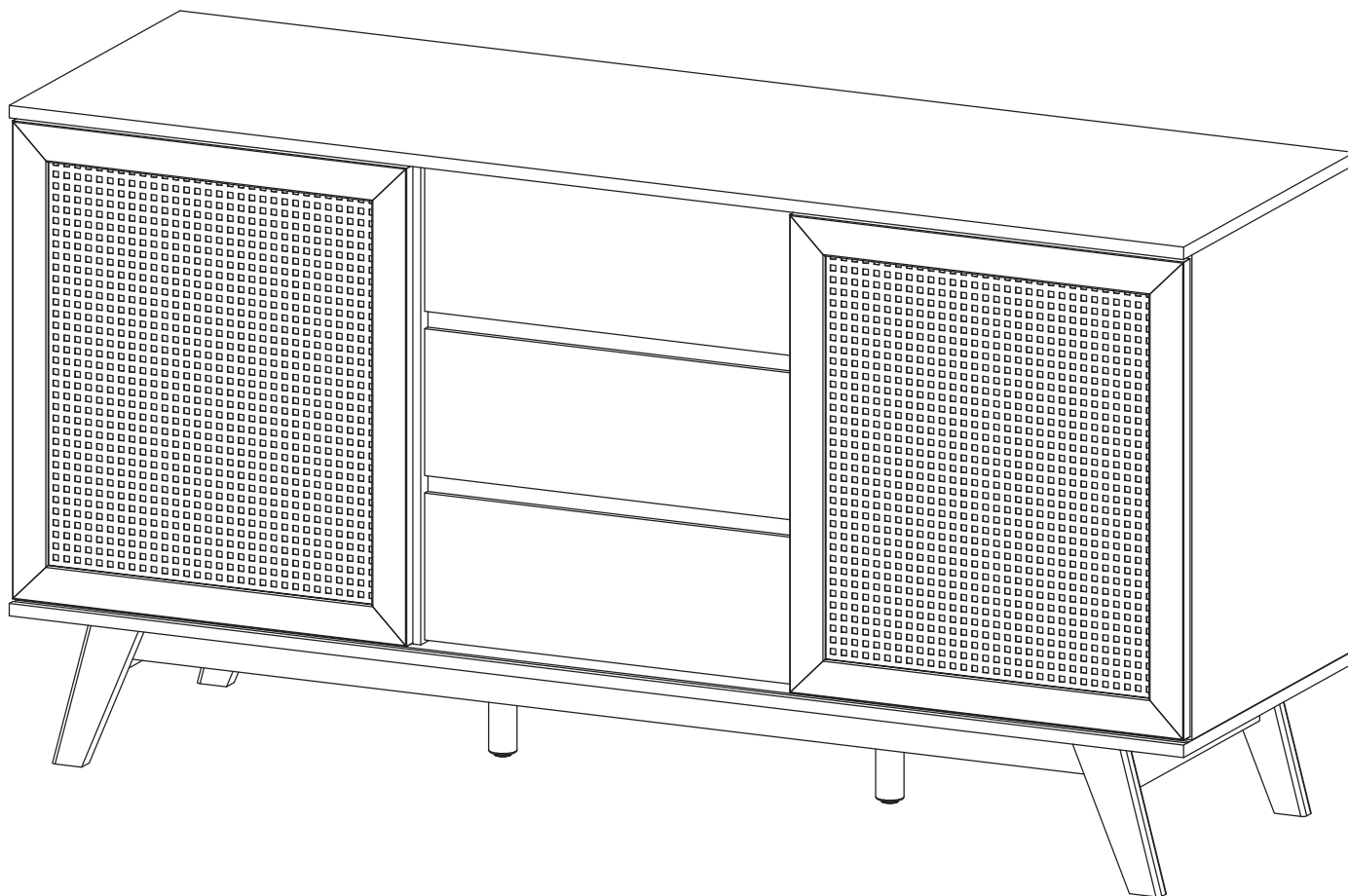


ASSEMBLY INSTRUCTIONS

EEI-6043

V0.03.14.22



Questions? Contact us!

609.256.9000 • cs@modway.com
www.modway.com

*modway



Read through all of the instructions before starting



Care instructions are listed in the last step of this manual



Approx. 120 minutes assembly time



Make sure you have all parts and components before discarding any packing materials



2 people recommended for assembly

Only use hand tools to assemble this item. Do not use power tools. Do not tighten bolts or screws completely until all hardware is lined up and inserted into the holes.

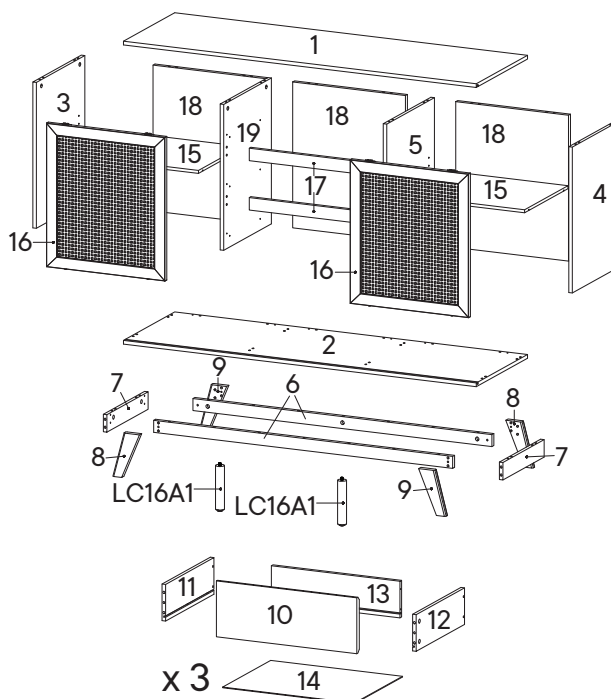
Do not over-tighten screws and bolts to avoid stripping the hardware or cracking the item.

Assemble your item on a flat, carpeted area, with plenty of space to work. This will prevent damage and scratches to your floors or the item while you're assembling the product.

Keep all components and packaging out of reach of children or animals to avoid risk of choking or suffocation.

Furniture components:

1	Top Board	x1	11	Side Drawer Left	x3
2	Bottom Board	x1	12	Side Drawer Right	x3
3	Side Board Left	x1	13	Back Drawer	x3
4	Side Board Right	x1	14	Bottom Drawer	x3
5	Center Board Right	x1	15	Adjustable Shelf	x2
6	Bottom Skirt 1	x2	16	Frame Door	x2
7	Bottom Skirt 2	x2	17	Front Skirt	x2
8	Leg 1	x2	18	Back Board	x3
9	Leg 2	x2	19	Center Board Left	x1
10	Front Drawer	x3	LC16A1	Center Leg	x2



Provided hardware:

A		Cam Bolt Ø6 x 35 mm	x42	J		Screw M 4.5 x 12.5 mm	x16	S		Allen Key	x1
B		Cam Lock Ø15 mm	x30	K		Wedge	x12	T		Sliding Top	x4
C		Cam Lock Ø12 mm	x12	L		Floor Protector	x4	U		Sliding Bottom	x4
D		Wood Dowel Ø8 x 30 mm	x64	M		Stopper	x4	V		Silicon Bumper	x2
E		Wood Dowel Ø6 x 30 mm	x6	N		Screw M 6 x 10.5 mm	x18	RM35A		Drawer Runner	x3
F		Screw M 7 x 50 mm	x8	O		Screw M 3.5 x 13 mm	x34	PM2		Mounting Plate	x2
G		Screw M 3.5 x 15.5 mm	x12	P		Screw M 8 x 39 mm	x12	What you need:			
H		Bracket	x4	Q		Screw Cap Ø15 mm	x4		Phillips Head Screwdriver		
I		Screw M 6.4 x 35 mm	x4	R		Shelf Pin	x8				

Wait!

Missing parts or hardware? Need assistance?
Contact us before returning your item. We're here to help!
609.256.9000 • cs@modway.com

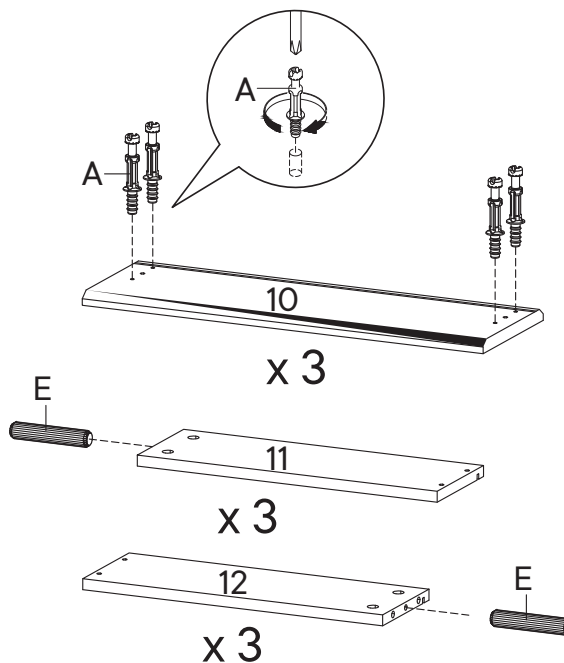
Step 1

HARDWARE

- A** Cam Bolt $\varnothing 6 \times 35$ mm x12
- E** Wood Dowel $\varnothing 6 \times 30$ mm x6

COMPONENTS

- 10** Front Drawer x3
- 11** Side Drawer Left x3
- 12** Side Drawer Right x3



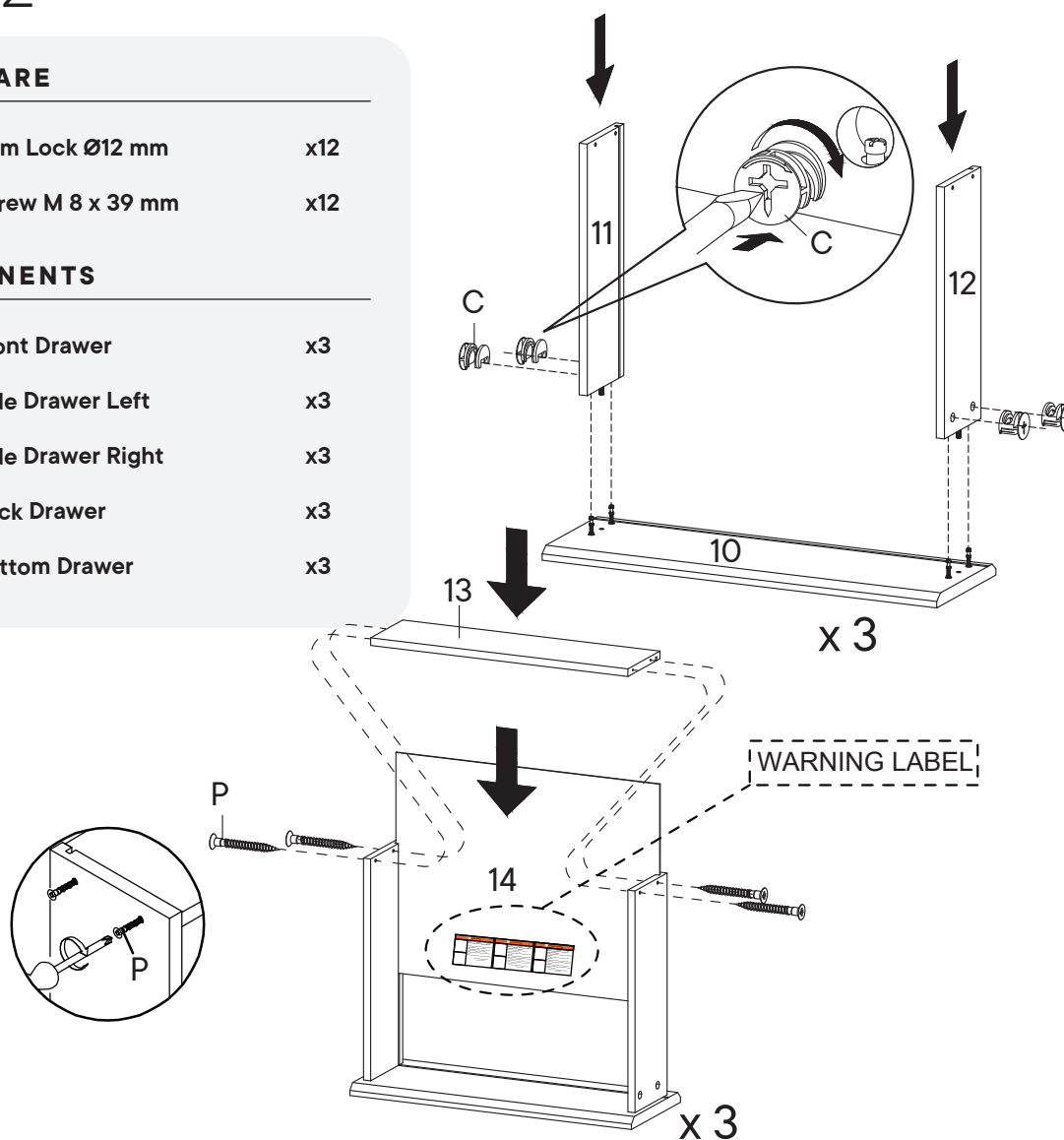
Step 2

HARDWARE

- C** Cam Lock $\varnothing 12$ mm x12
- P** Screw M 8 x 39 mm x12

COMPONENTS

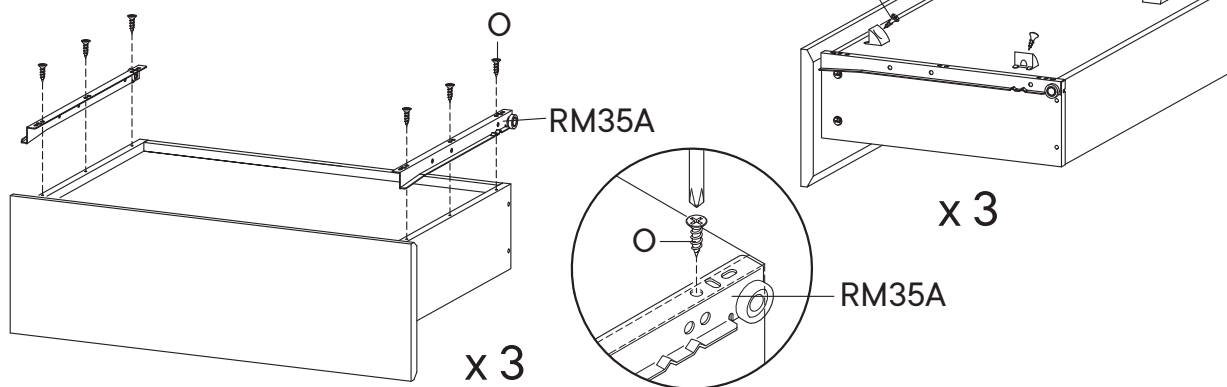
- 10** Front Drawer x3
- 11** Side Drawer Left x3
- 12** Side Drawer Right x3
- 13** Back Drawer x3
- 14** Bottom Drawer x3



Step 3

HARDWARE

G	Screw M 3.5 x 15.5 mm	x12
K	Wedge	x12
O	Screw M 3.5 x 13 mm	x18
RM35A	Drawer Runner	x3



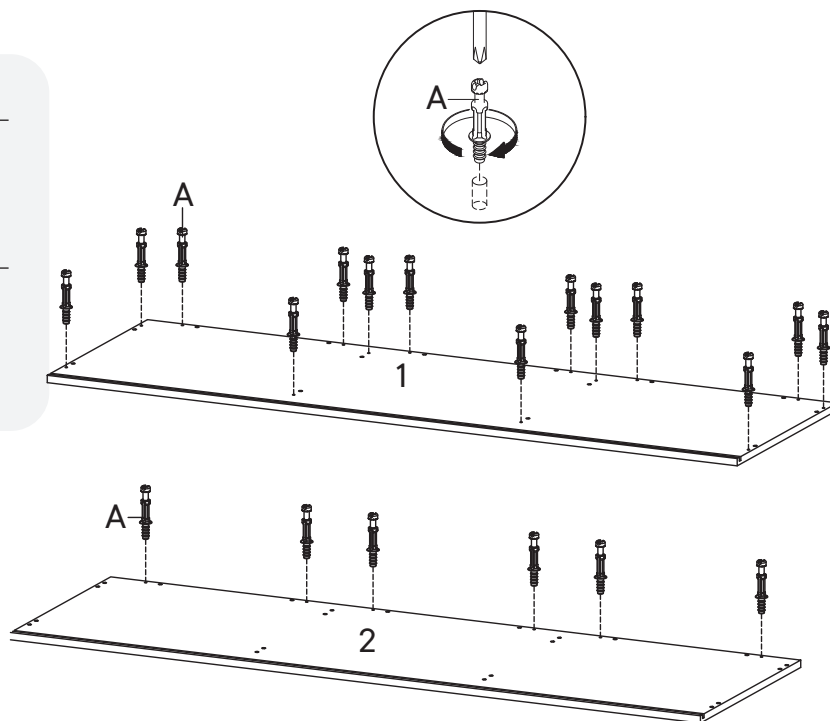
Step 4

HARDWARE

A	Cam Bolt Ø6 x 35 mm	x20
----------	---------------------	-----

COMPONENTS

1	Top Board	x1
2	Bottom Board	x1



Step 5

HARDWARE

D Wood Dowel Ø8 x 30 mm x28

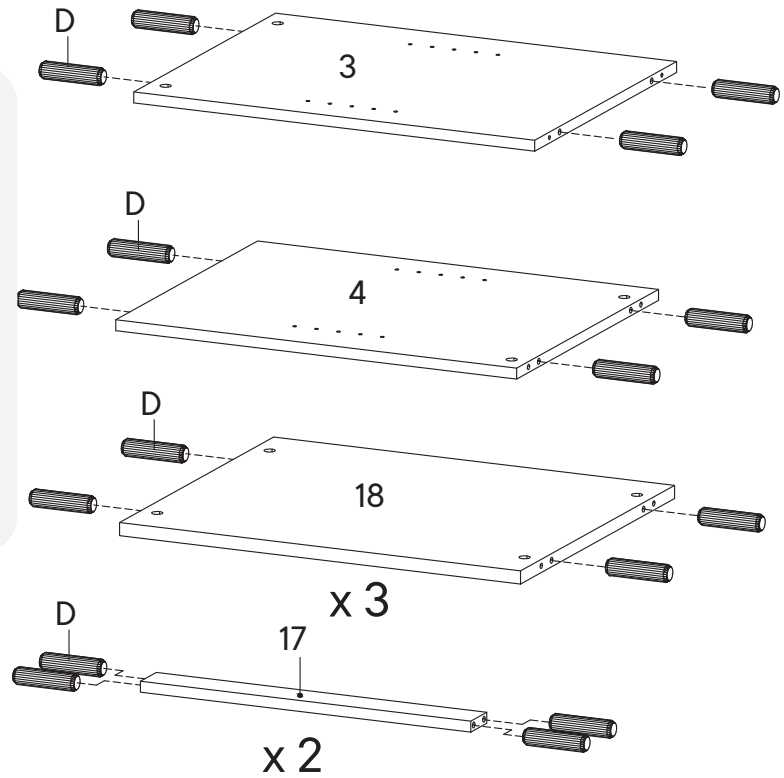
COMPONENTS

3 Side Board Left x1

4 Side Board Right x1

17 Front Skirt x2

18 Back Board x3



Step 6

HARDWARE

D Wood Dowel Ø8 x 30 mm x8

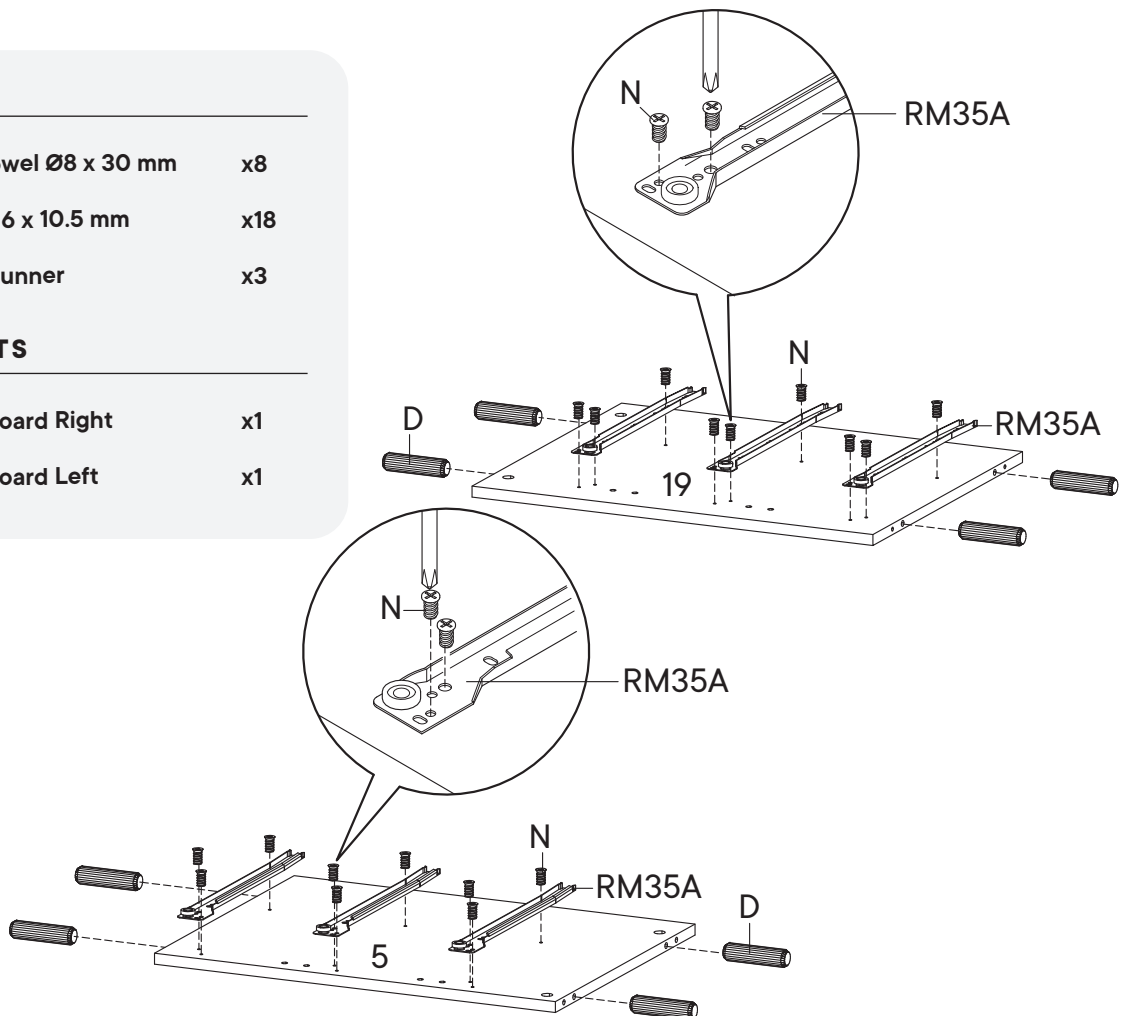
N Screw M 6 x 10.5 mm x18

RM35A Drawer Runner x3

COMPONENTS

5 Center Board Right x1

19 Center Board Left x1



Step 7

HARDWARE

B Cam Lock Ø15 mm x4

COMPONENTS

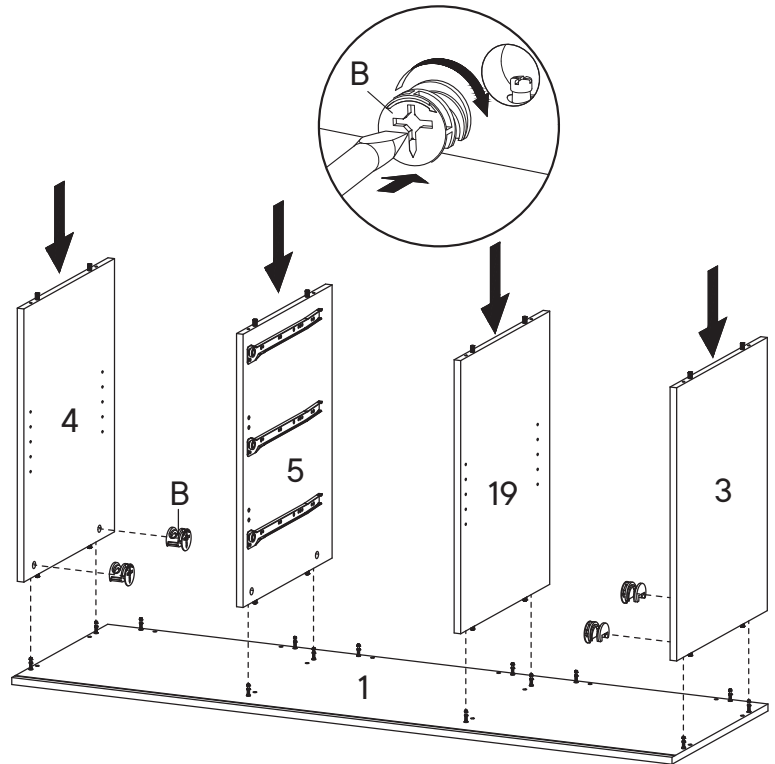
1 Top Board x1

3 Side Board Left x1

4 Side Board Right x1

5 Center Board Right x1

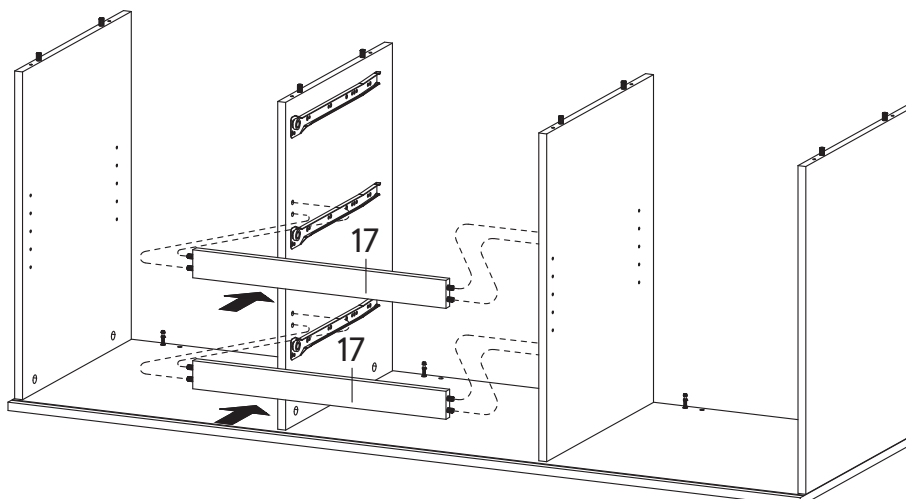
19 Center Board Left x1



Step 8

COMPONENTS

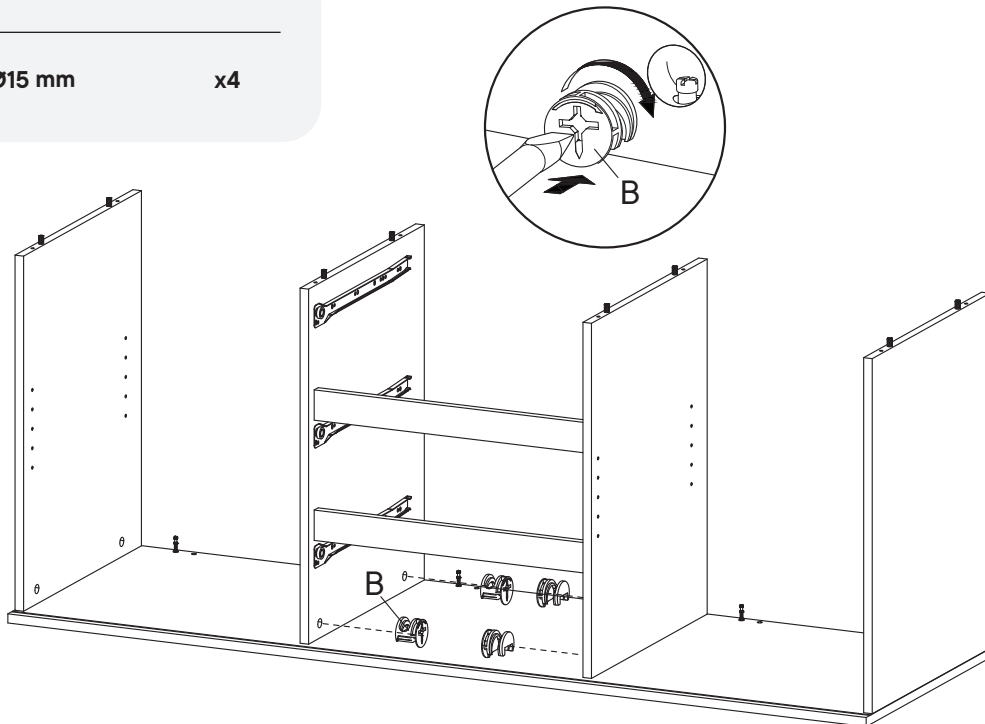
17 Front Skirt x2



Step 9

HARDWARE

B Cam Lock Ø15 mm x4



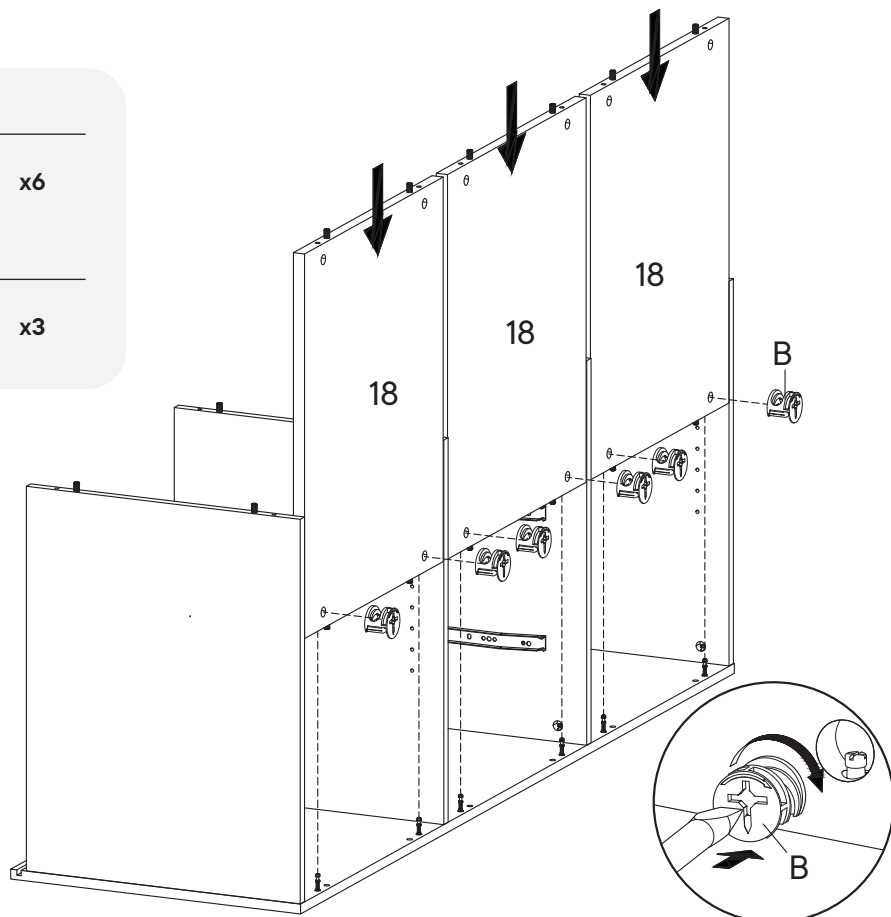
Step 10

HARDWARE

B Cam Lock Ø15 mm x6

COMPONENTS

18 Back Board x3



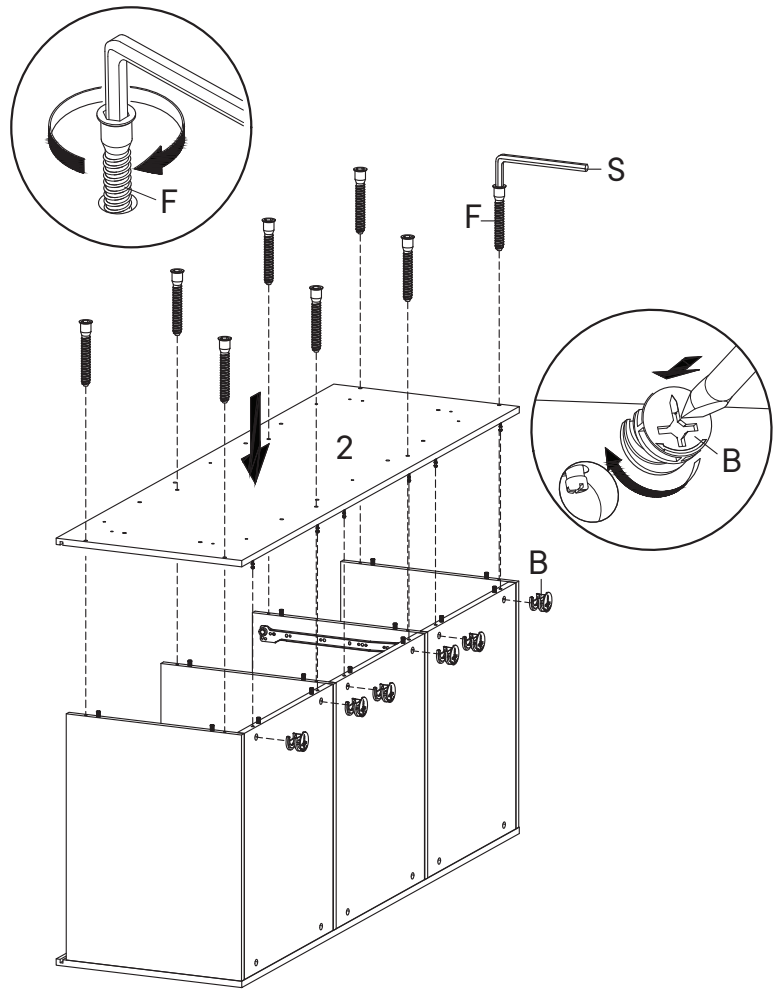
Step 11

HARDWARE

- B** Cam Lock Ø15 mm x6
- F** Screw M 7 x 50 mm x8
- S** Allen Key x1

COMPONENTS

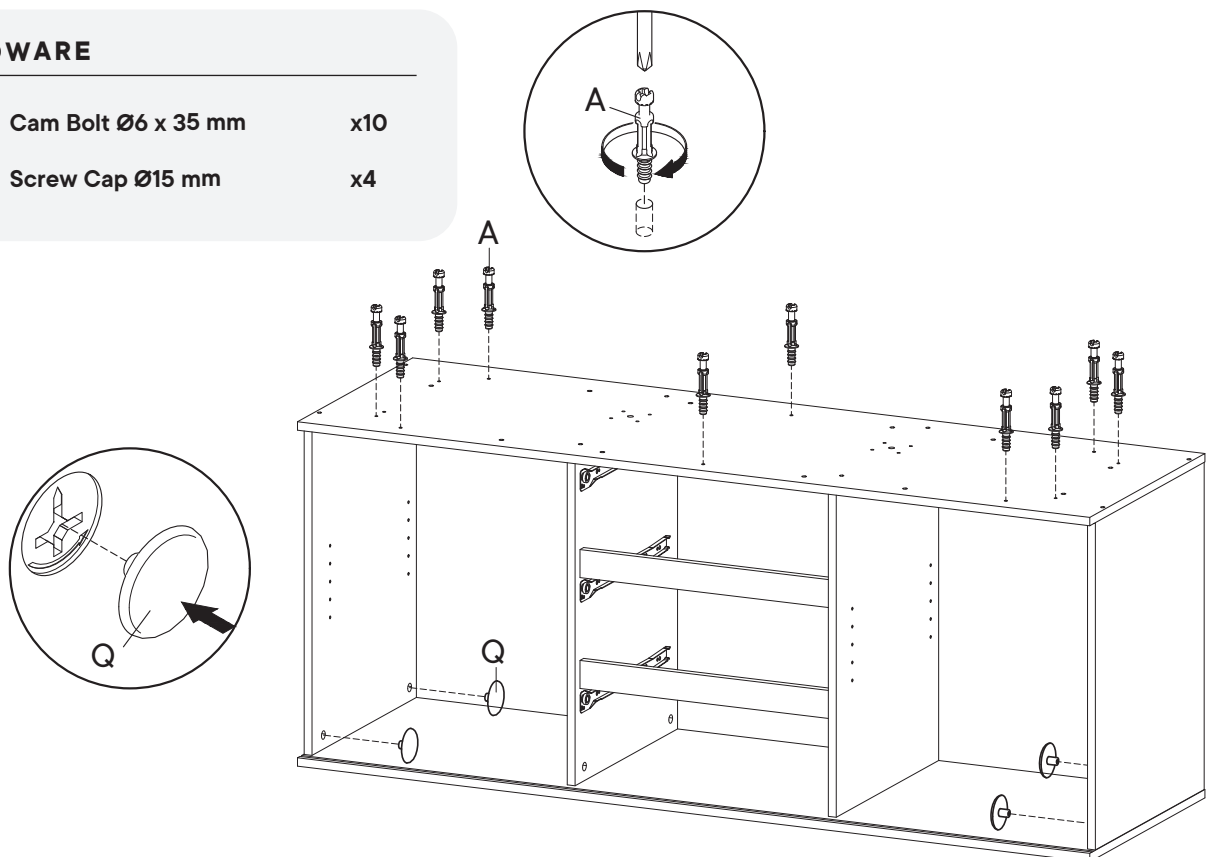
- 2** Bottom Board x1



Step 12

HARDWARE

- A** Cam Bolt Ø6 x 35 mm x10
- Q** Screw Cap Ø15 mm x4



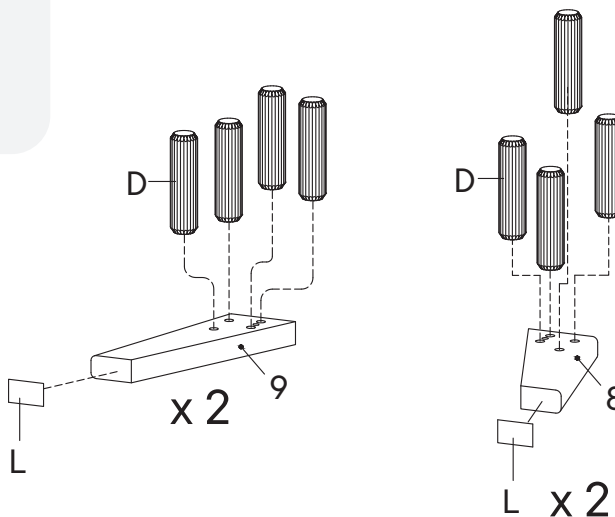
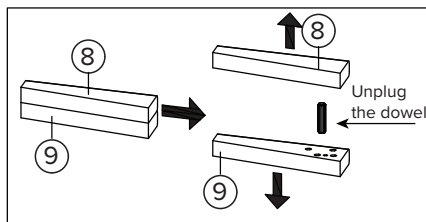
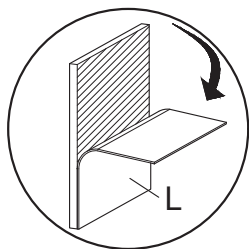
Step 13

HARDWARE

- D** Wood Dowel Ø8 x 30 mm x16
- L** Floor Protector x4

COMPONENTS

- 8** Leg 1 x2
- 9** Leg 2 x2



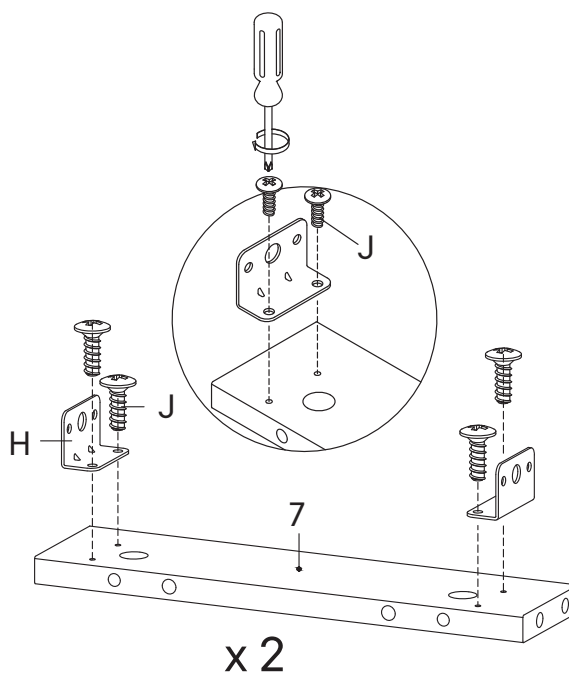
Step 14

HARDWARE

- H** Bracket x4
- J** Screw M 4.5 x 12.5 mm x8

COMPONENTS

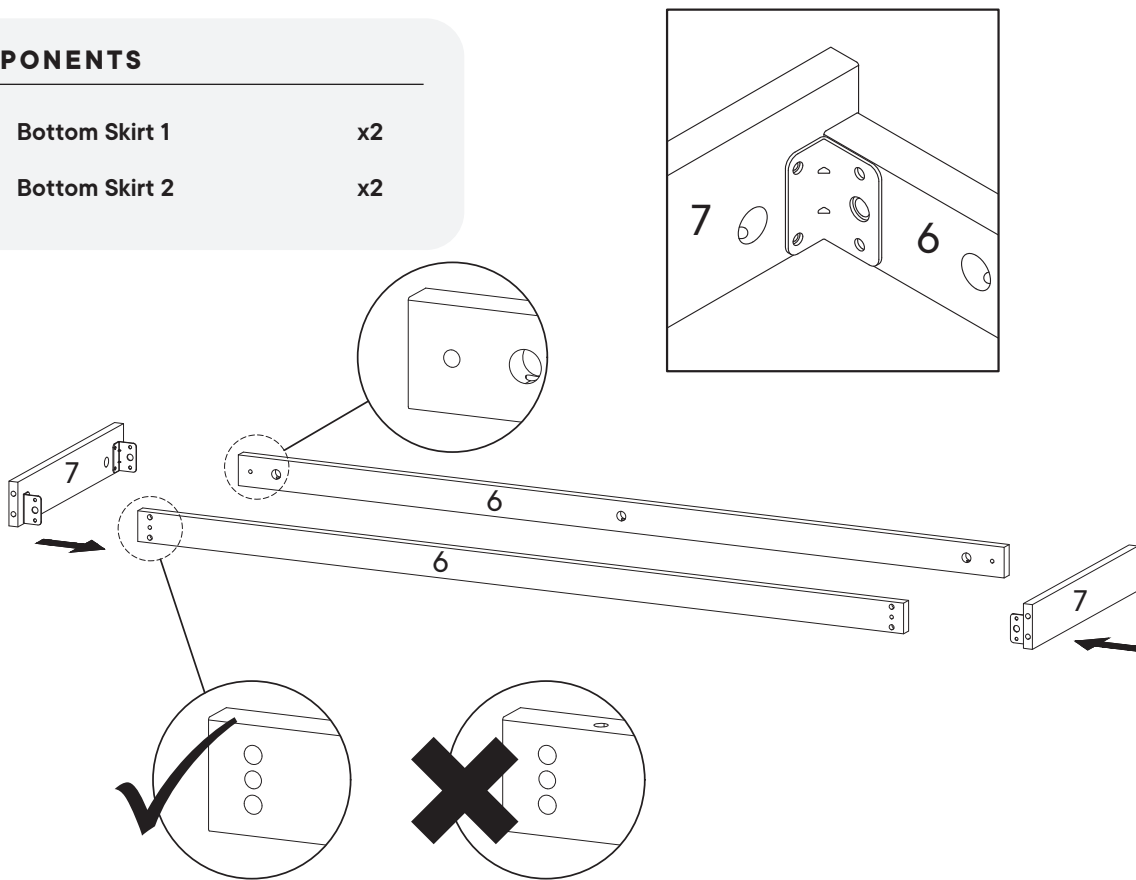
- 7** Bottom Skirt 2 x2



Step 15

COMPONENTS

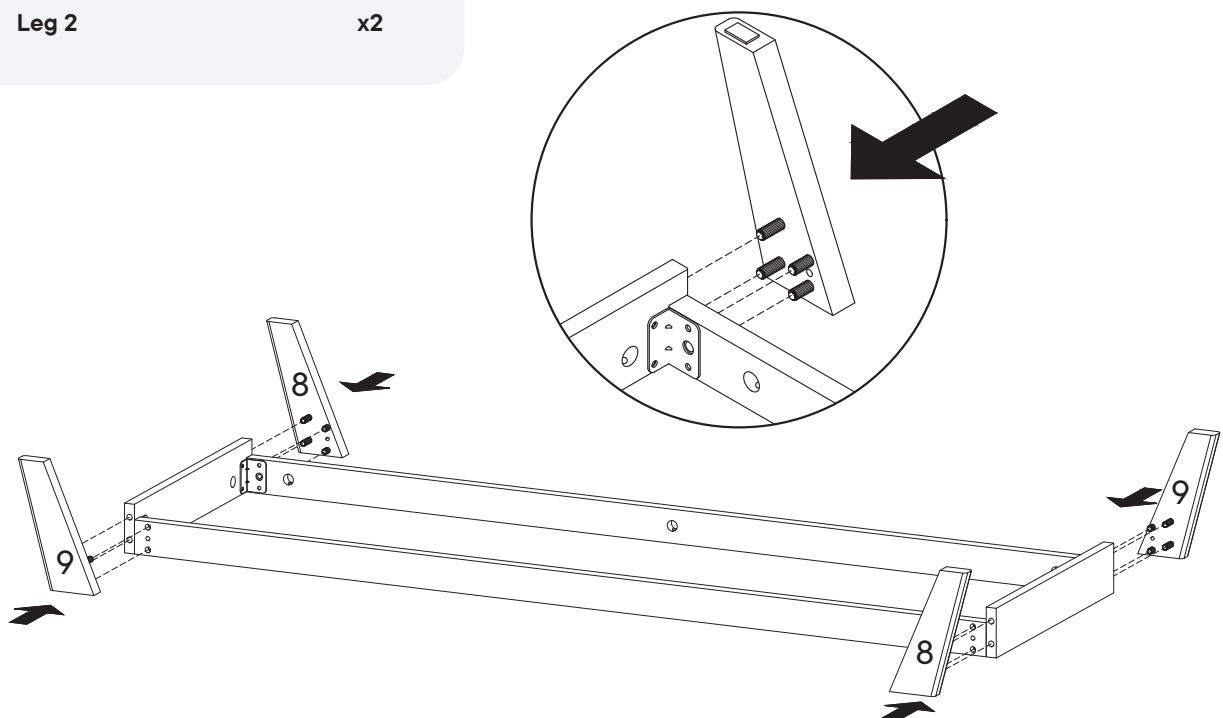
- 6 Bottom Skirt 1 x2
- 7 Bottom Skirt 2 x2



Step 16

COMPONENTS

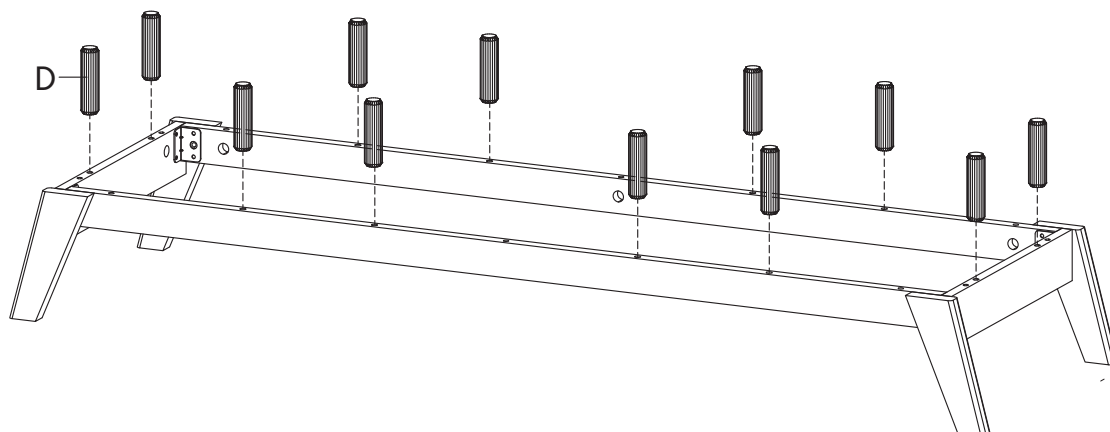
- 8 Leg 1 x2
- 9 Leg 2 x2



Step 17

HARDWARE

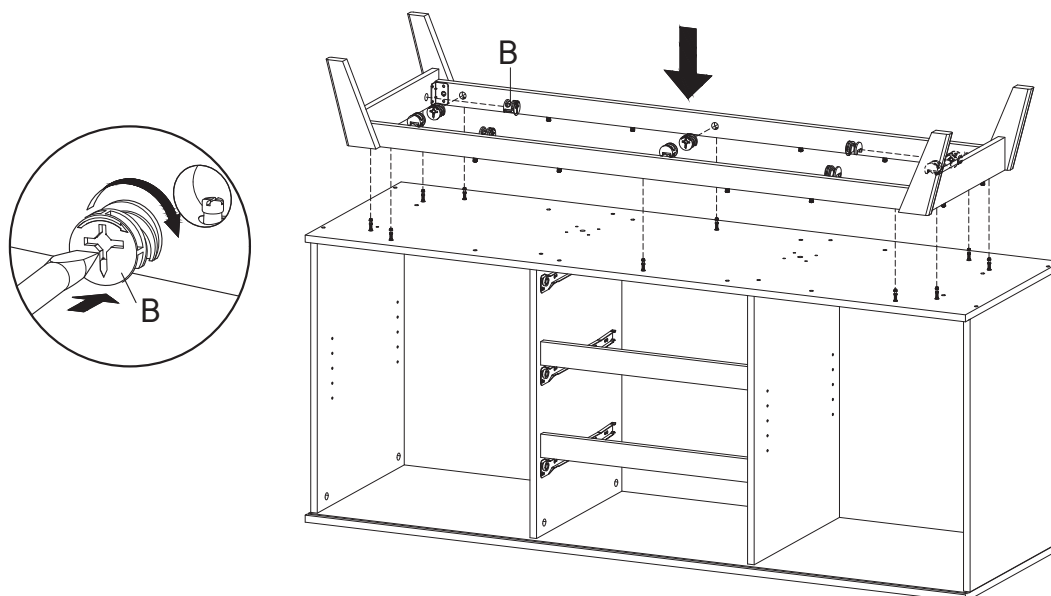
D Wood Dowel $\varnothing 8 \times 30$ mm x12



Step 18

HARDWARE

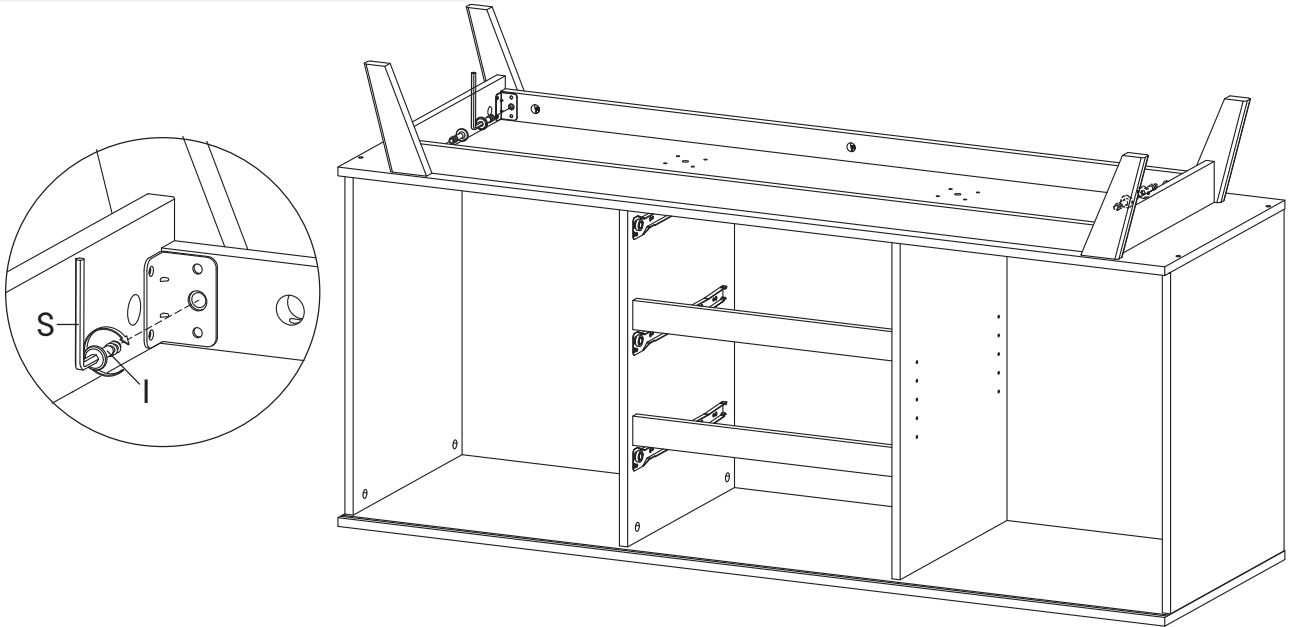
B Cam Lock $\varnothing 15$ mm x10



Step 19

HARDWARE

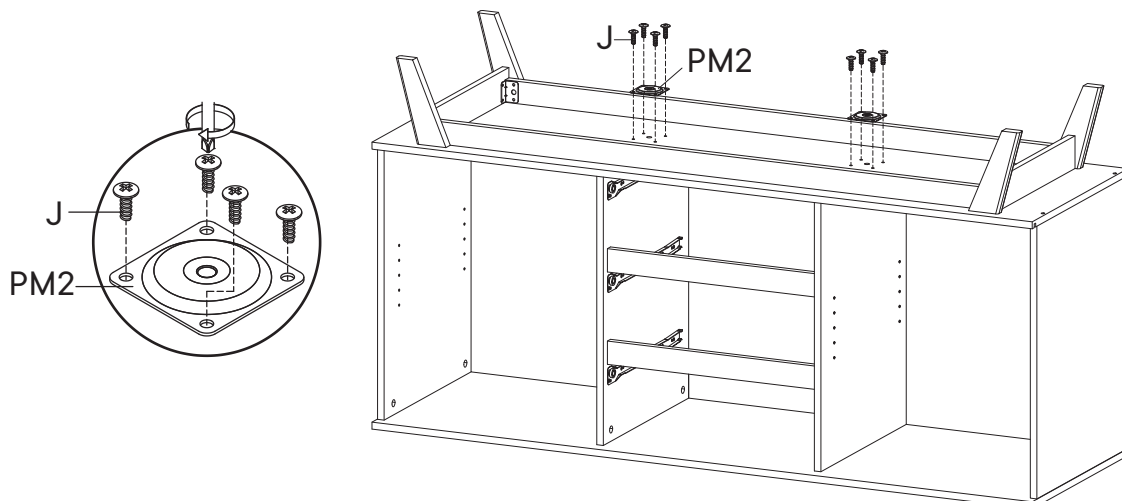
- I Screw M 6.4 x 35 mm x4
- S Allen Key x1



Step 20

HARDWARE

- J Screw M 4.5 x 12.5 mm x8
- PM2 Mounting Plate x2

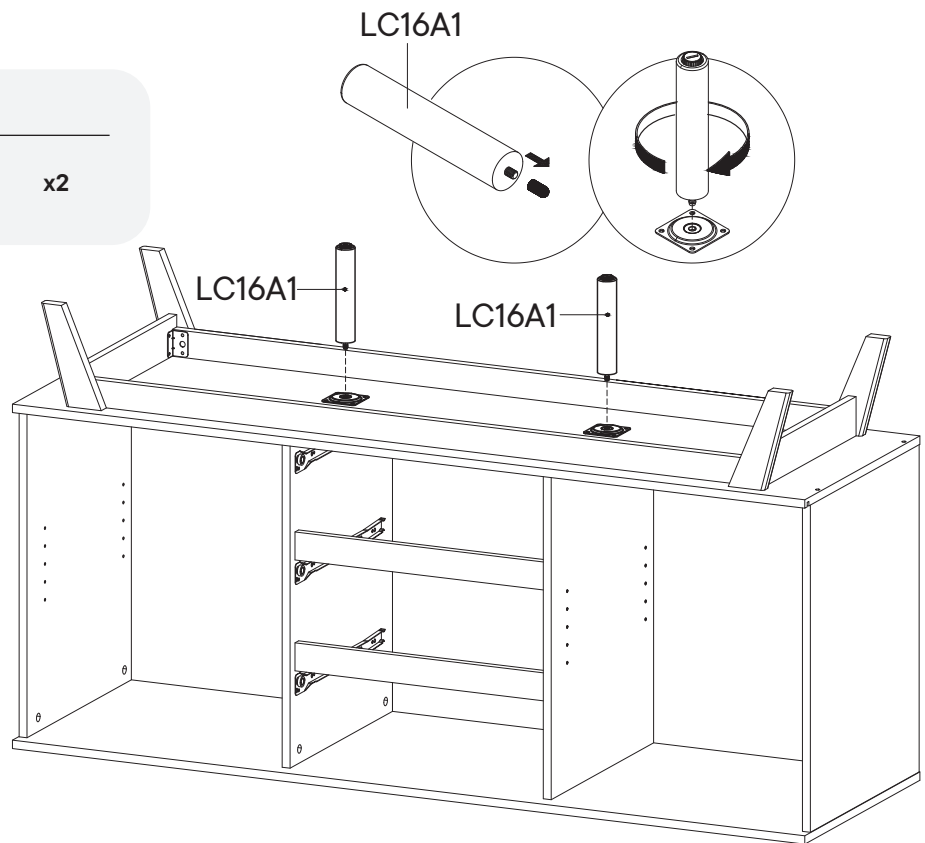


Step 21

COMPONENT

LC16A1 Center Leg

x2



Step 22

HARDWARE



Shelf Pin

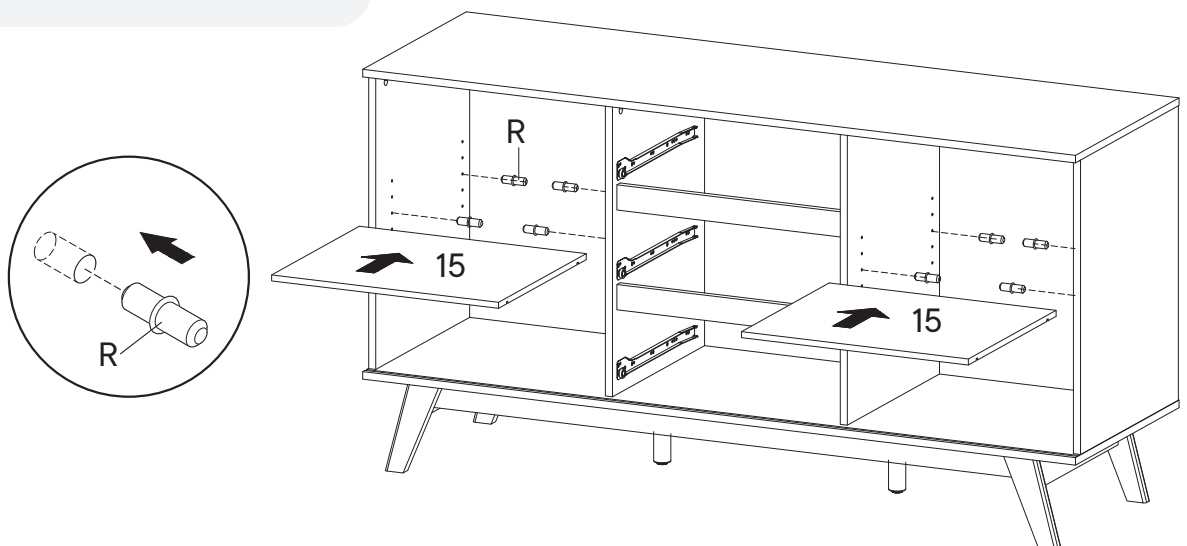
x8

COMPONENTS



Adjustable Shelf

x2



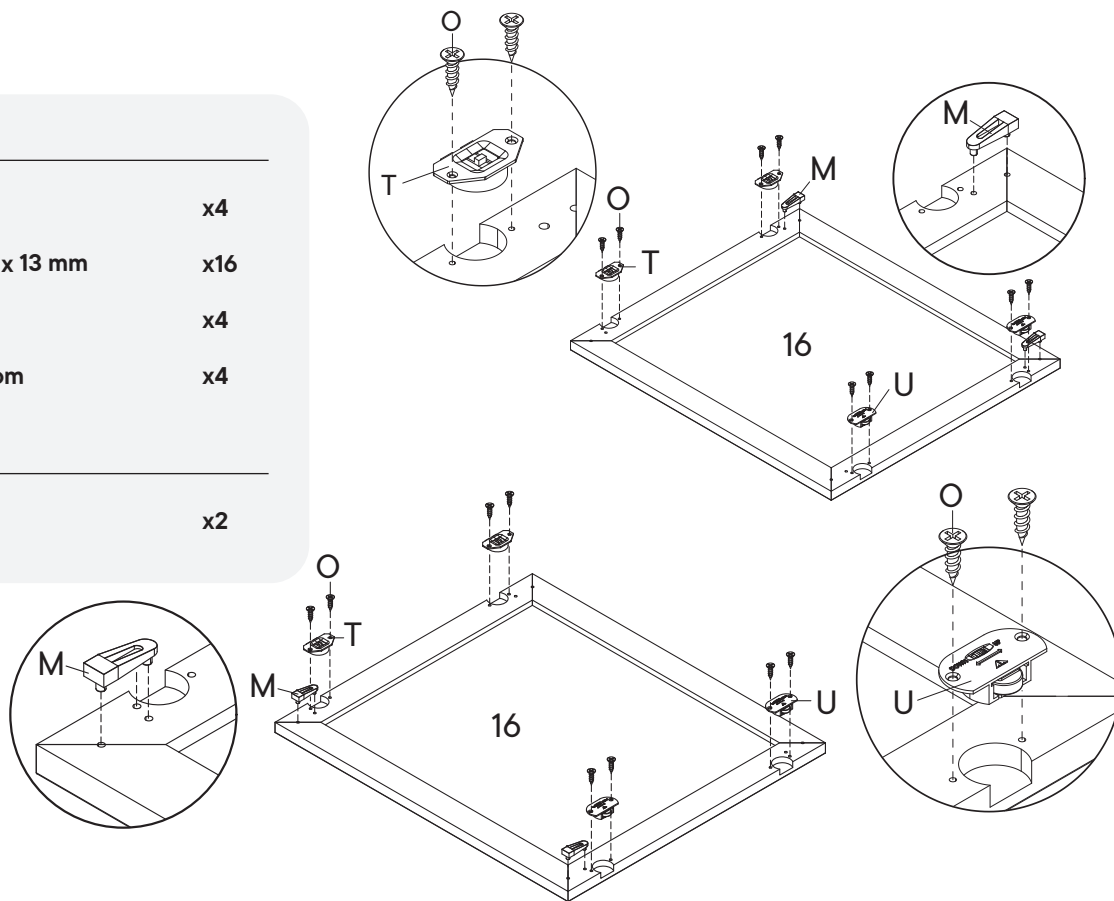
Step 23

HARDWARE

- M** Stopper x4
- O** Screw M 3.5 x 13 mm x16
- T** Sliding Top x4
- U** Sliding Bottom x4

COMPONENTS

- 16** Frame Door x2



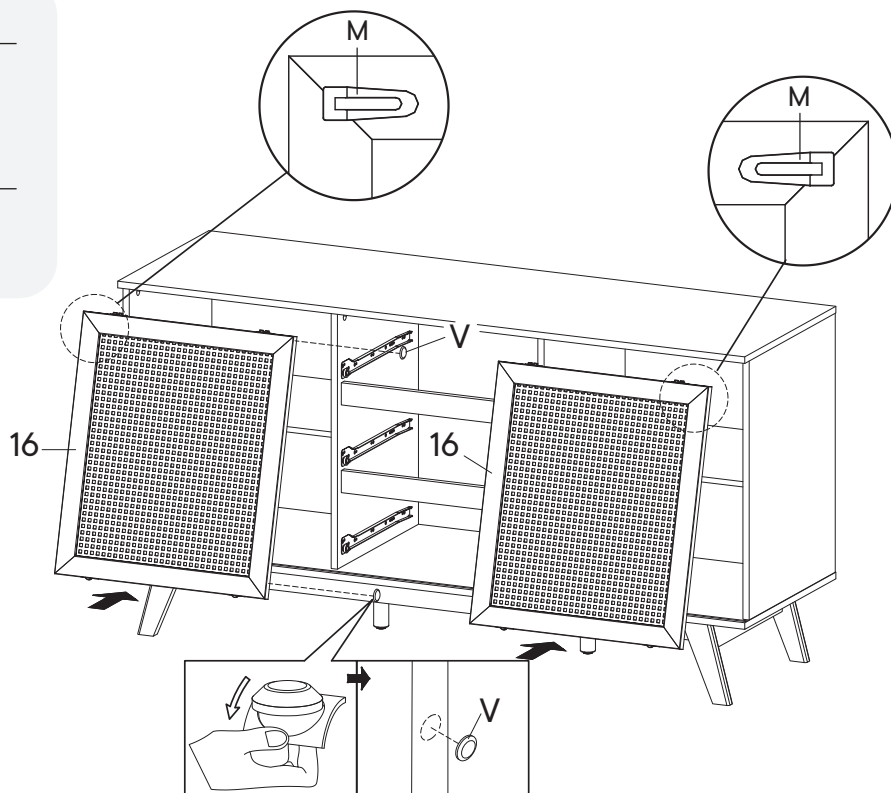
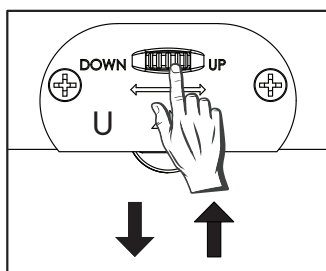
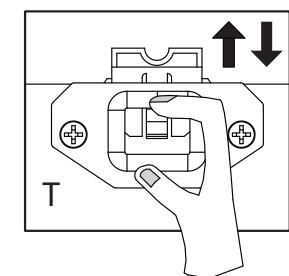
Step 24

HARDWARE

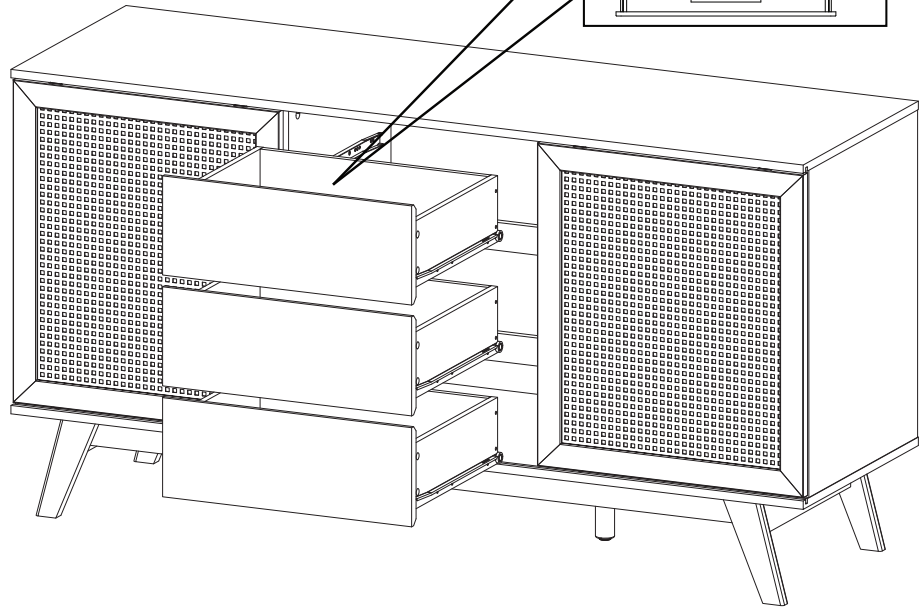
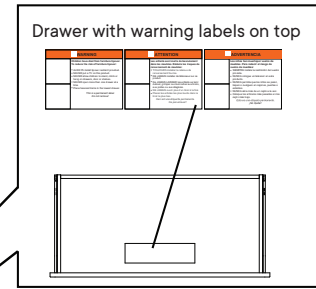
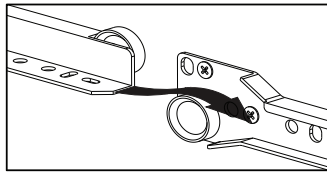
- V** Silicon Bumper x2

COMPONENTS

- 16** Frame Door x2



Step 25



Great job!

Sideboard assembly is complete.

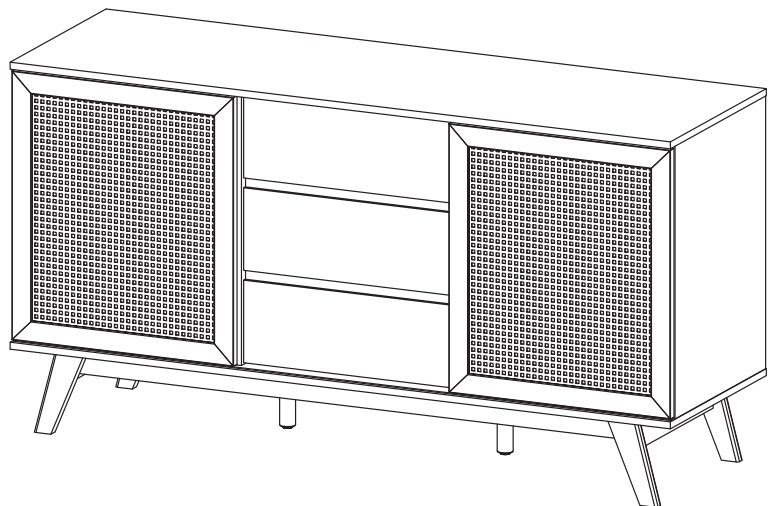
♥ CARING FOR YOUR ITEM

Indoor use only.

Not contract grade.

Clean using a non-abrasive cloth and a mild cleaner.

Never use harsh chemicals, as they could damage the finish or integrity of the item.



CONNECT WITH US!   

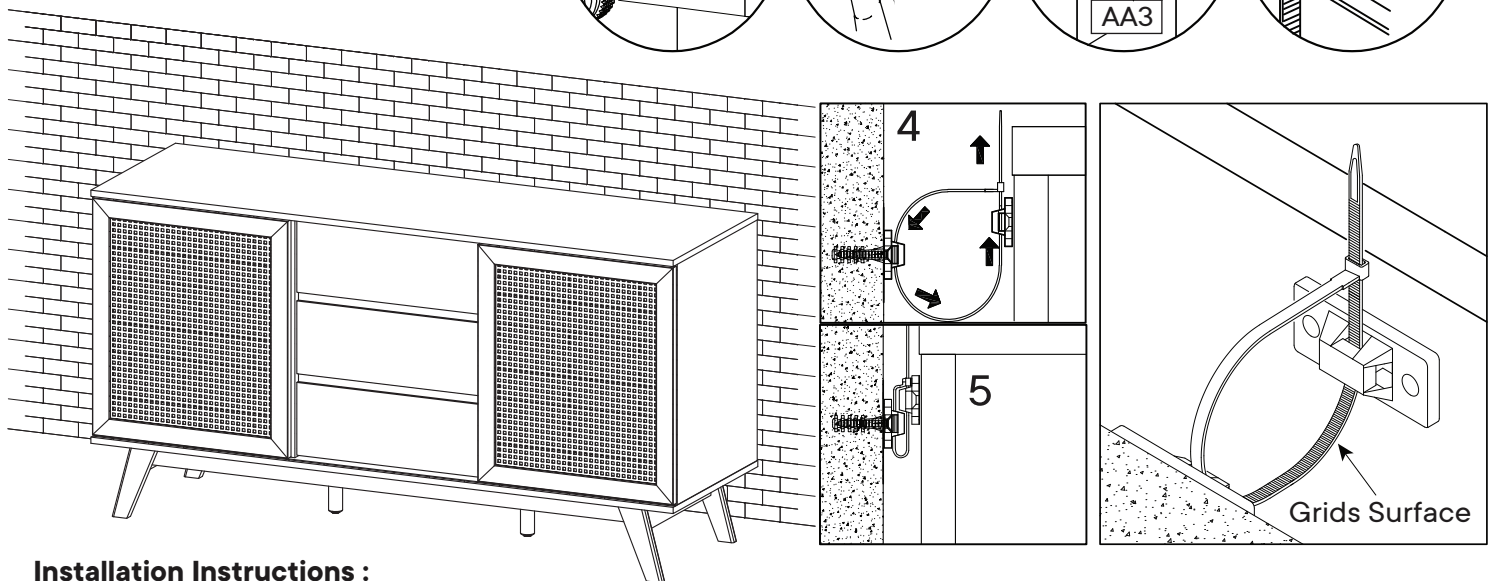
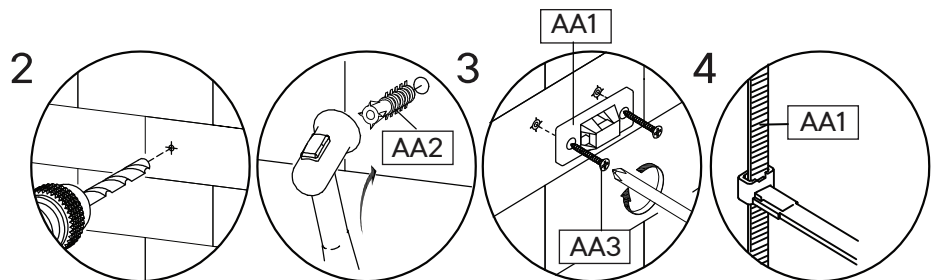
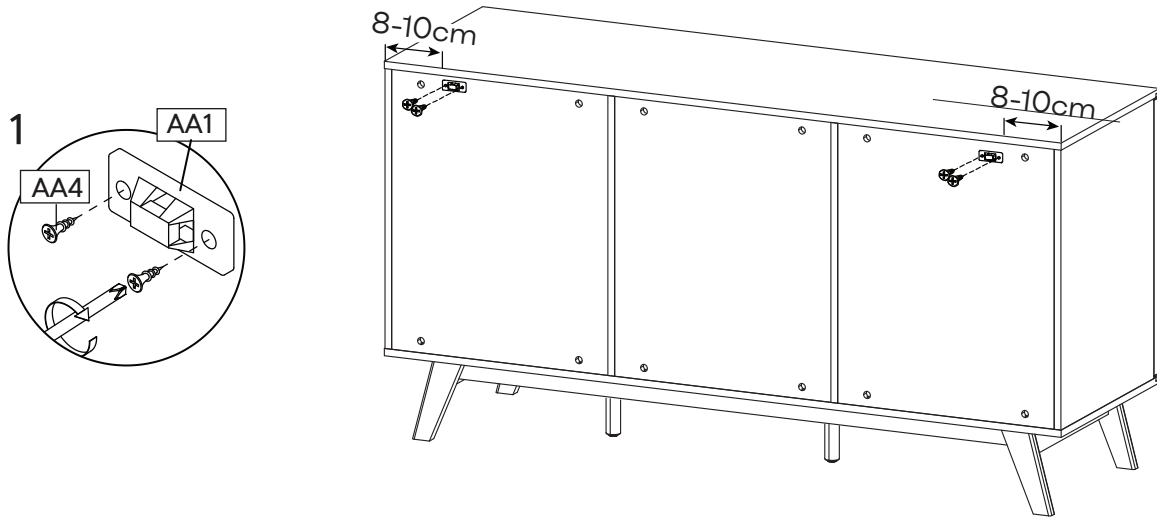
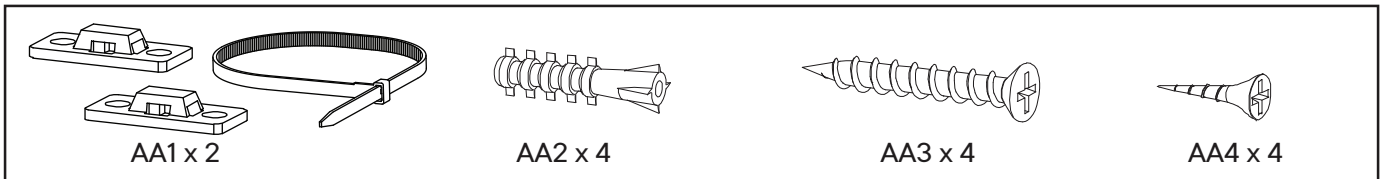
Tag us @modway_furniture and #modway for a chance to be featured.

TIPPING RESTRAINTS KIT INSTALLATION GUIDANCE

Different wall materials require unique wall fasteners.

The wall plugs (AA2) and screws (AA3) are designed for fixing to concrete walls only.

Please consult your local hardware store to ensure you are using the correct hardware for your wall type.



Installation Instructions :

1. Attach bracket (AA1) securely to the back top of the furniture using screw (AA4) provided. Allow 8 - 10 cm from each side.
2. Please make a hole for wall plugs position on the wall and minimum 15 mm below bracket secured to the back of unit attach the wall plugs (AA2).
3. Locate the other bracket (AA1) on the wall over wall plugs (AA2). Place furniture into position so both brackets (AA1) are vertically in the line.
4. Lace the end of the restraints strap through the larger hole in each bracket. Ensure the restraints strap with grids surface facing the inner loops. Bring both ends together and slide the flat end through the locking end and draw it through until all slack is removed.
5. Make sure that the strap is securely laced & locked.