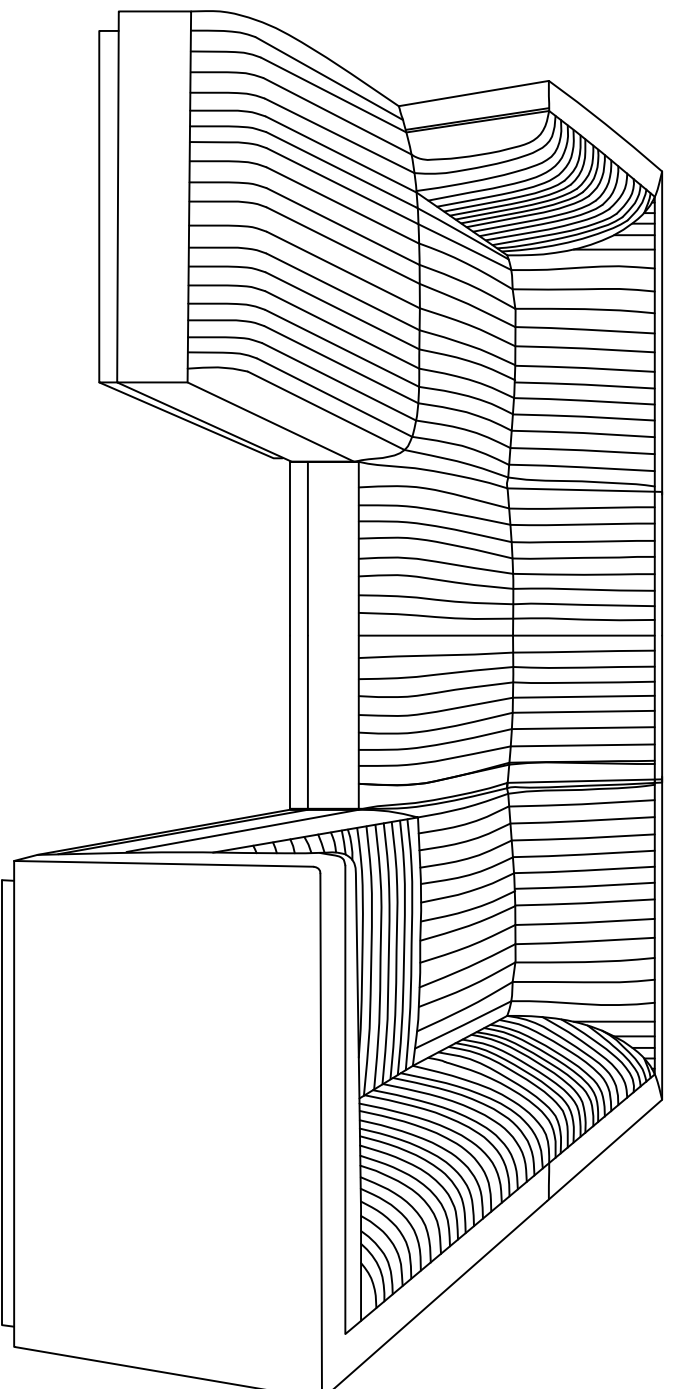
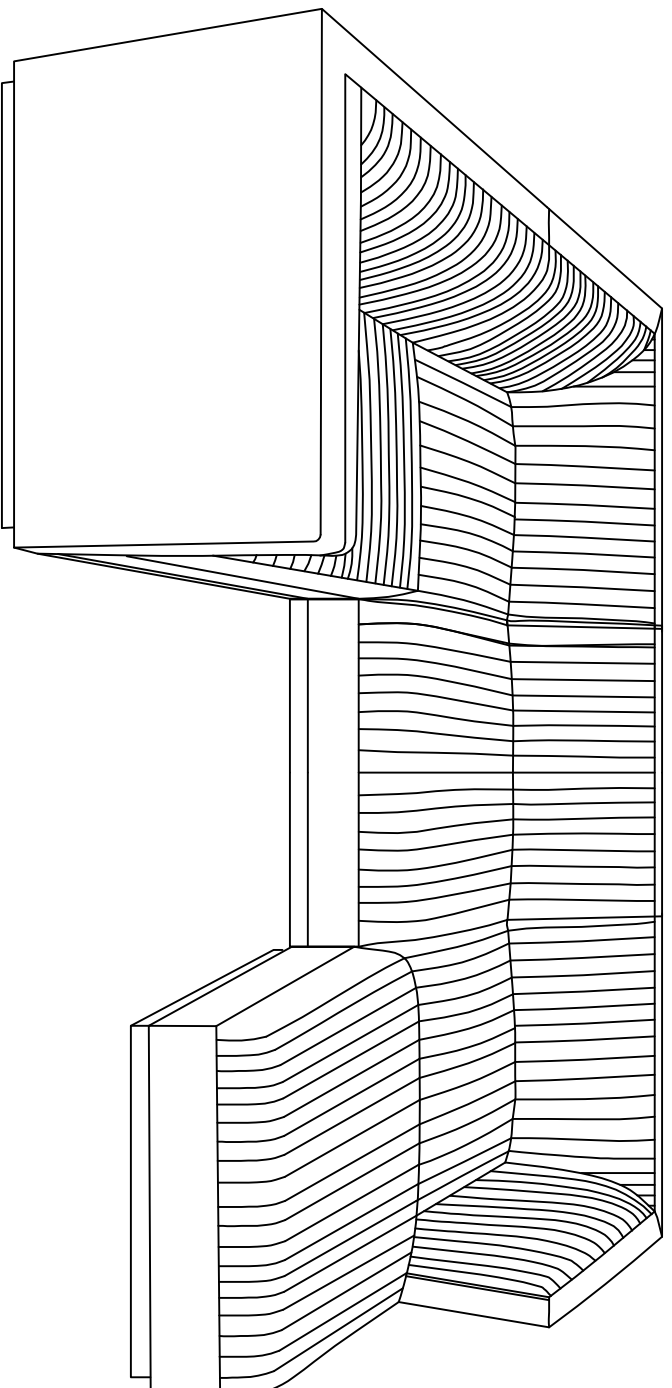


# ASSEMBLY INSTRUCTIONS

EEI-6031,6032,6033,6034,6035,6036

V1.12.21 .21



Questions? Contact us!  
609.256.9000 • [cs@modway.com](mailto:cs@modway.com)  
[www.modway.com](http://www.modway.com)

**\*modway\***

# Let's get started!

\*modway



Read through all of the instructions before starting



Care instructions are listed in the last step of this manual



Approx. 30 minutes assembly time



Make sure you have all parts and components before discarding any packing materials



2 people recommended for assembly

Assemble your item on a flat, carpeted area, with plenty of space to work. This will prevent damage and scratches to your floors or the item while you're assembling the product.

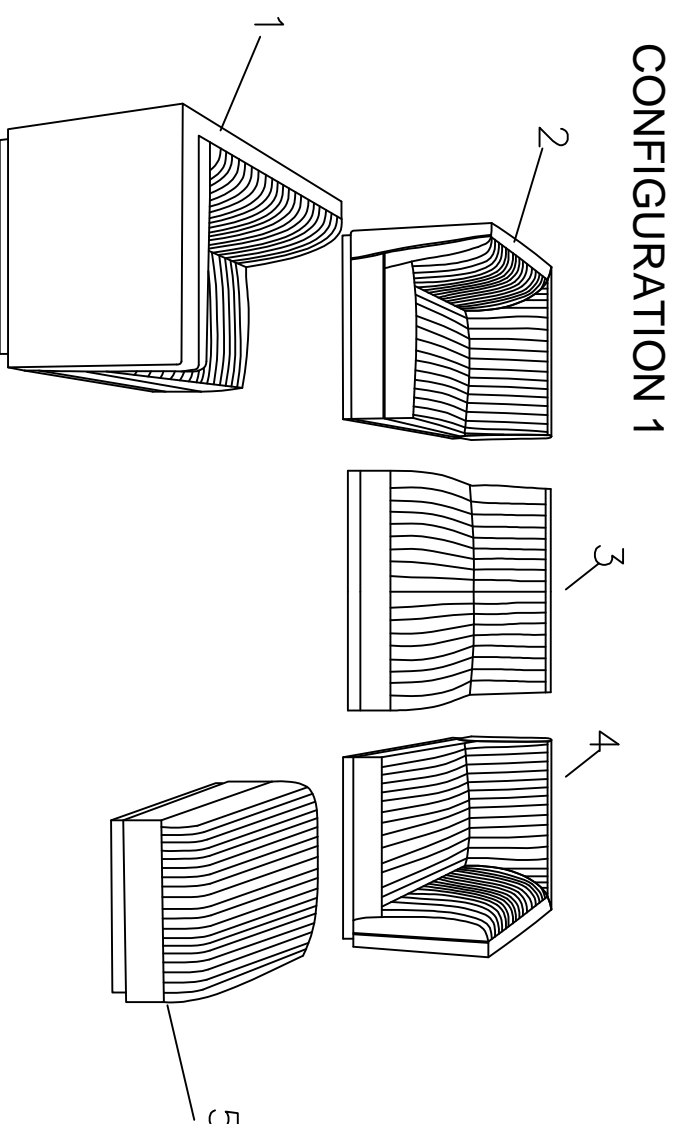
Keep all components and packaging out of reach of children or animals to avoid risk of choking or suffocation.

## Furniture components:

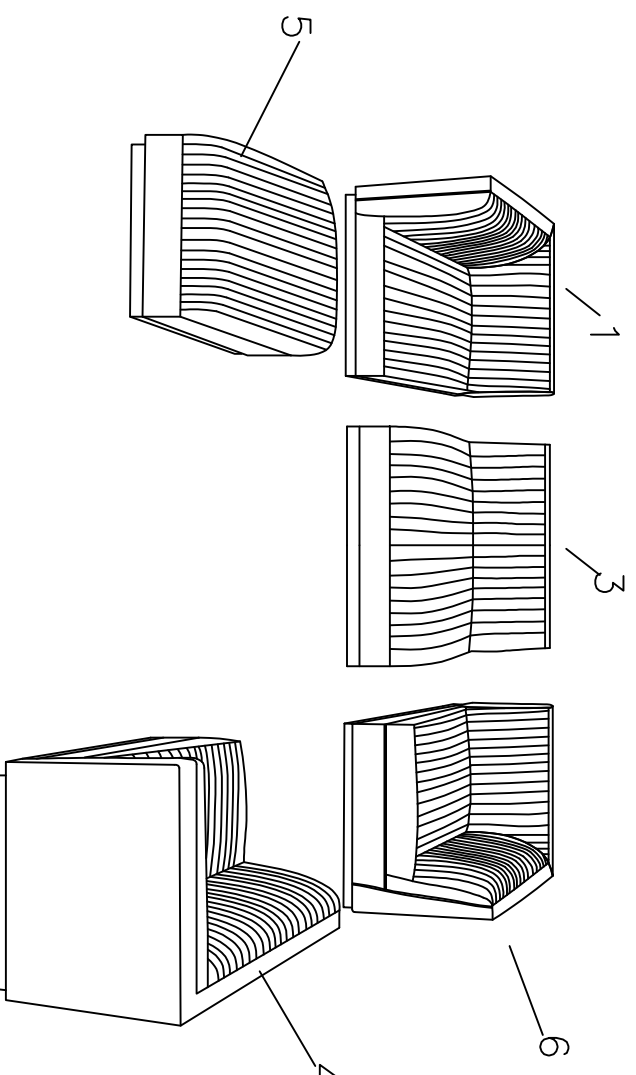
- 1 Left Arm Chair x1
- 2 Left Corner x1
- 3 Armless Chair x1
- 4 Right Arm Chair x1
- 5 Ottoman x1

## Alternate component:

- 6 Right Corner x1



## CONFIGURATION 2



Wait!

Missing parts or hardware? Need assistance?  
Contact us before returning your item. We're here to help!  
609.256.9000 • [cs@modway.com](mailto:cs@modway.com)

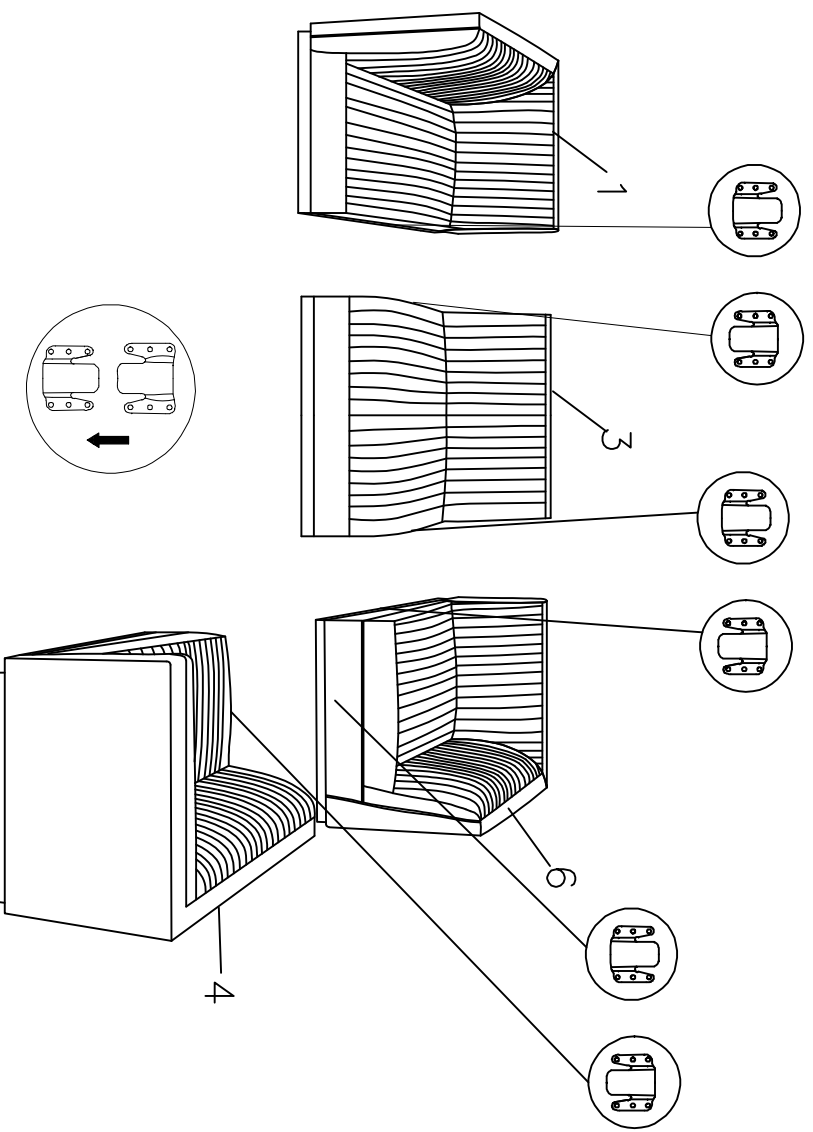
NOTE: These steps are for the assembly of Configuration 1.  
For Configuration 2, skip ahead to the next set of steps.

**\*modway**

## Step 1

### COMPONENTS

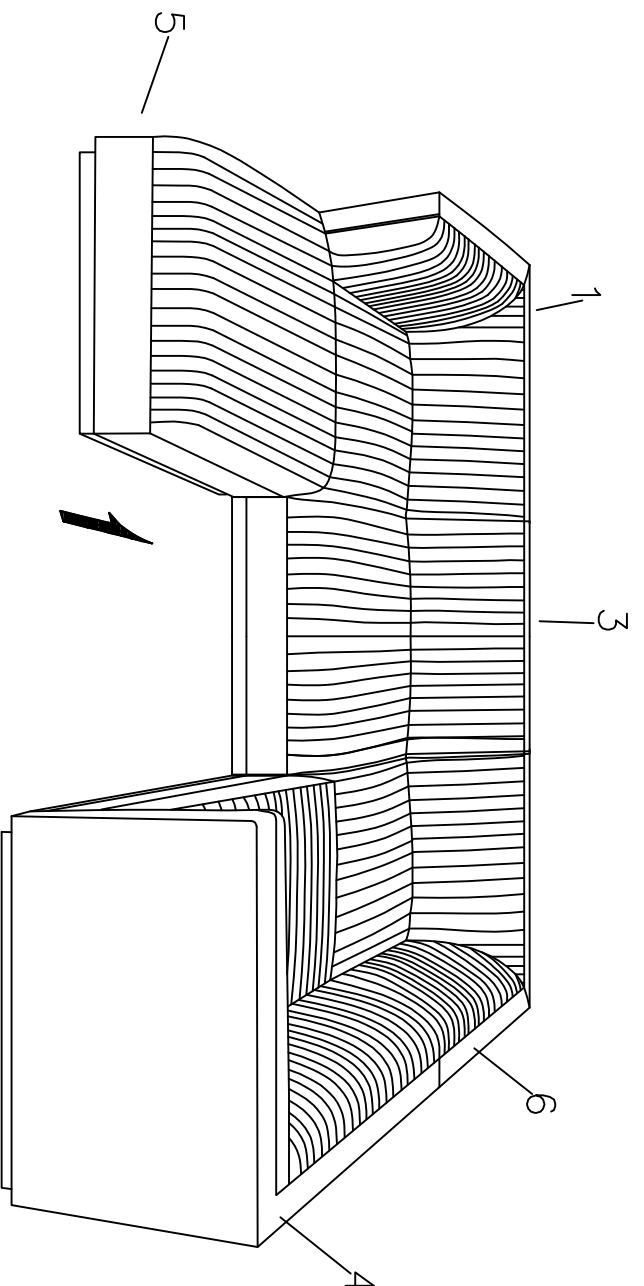
- |   |                 |    |
|---|-----------------|----|
| ① | Left Arm Chair  | x1 |
| ② | Left Corner     | x1 |
| ③ | Armless Chair   | x1 |
| ④ | Right Arm Chair | x1 |



## Step 2

### COMPONENTS

- |   |         |    |
|---|---------|----|
| ⑤ | Ottoman | x1 |
|---|---------|----|



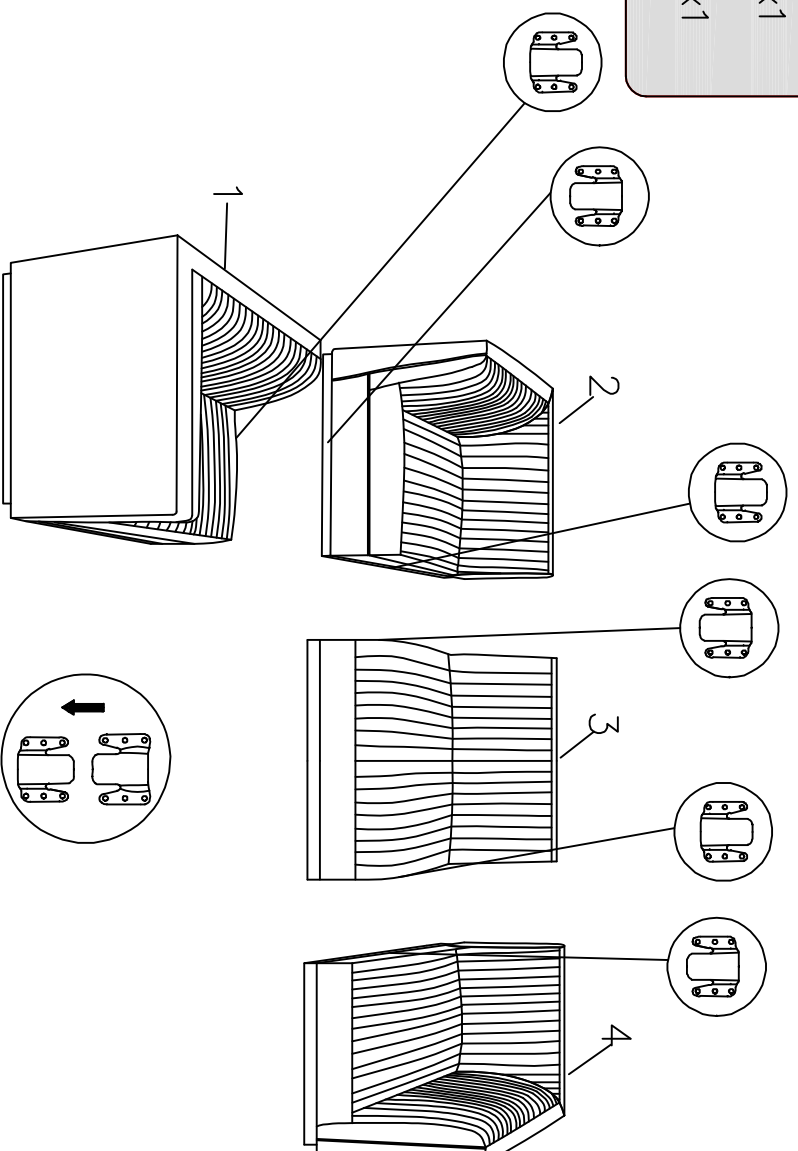
NOTE: These steps are for the assembly of Configuration 1.  
For Configuration 2, skip ahead to the next set of steps.

**\*modway**

## Step 1

### COMPONENTS

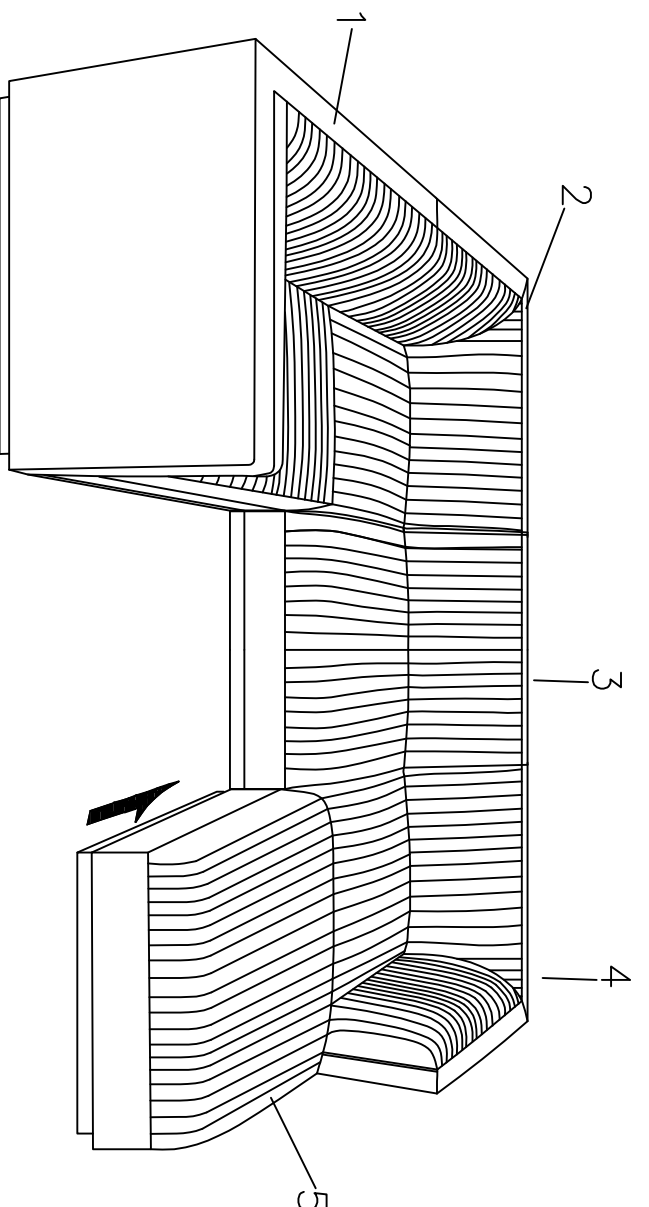
- |   |                 |    |
|---|-----------------|----|
| ① | Left Arm Chair  | x1 |
| ② | Left Corner     | x1 |
| ③ | Armless Chair   | x1 |
| ④ | Right Arm Chair | x1 |



## Step 2

### COMPONENTS

- |   |         |    |
|---|---------|----|
| ⑤ | Ottoman | x1 |
|---|---------|----|



Great job!  
Your sectional sofa assembly is complete and ready to enjoy.



#### CARING FOR YOUR ITEM

Indoor use only.  
Not contract grade.  
Clean using a non-abrasive cloth and a mild cleaner.  
Never use harsh chemicals, as they could damage the finish or integrity of the item.

CONNECT WITH US!   

Tag us @modway\_furniture and #modway for a chance to be featured.

